



US00D741114S

(12) **United States Design Patent**
Weernink

(10) **Patent No.:** **US D741,114 S**
(45) **Date of Patent:** **** Oct. 20, 2015**

(54) **CONTAINER**

(71) Applicant: **Johan Weernink**, Diepenheim (NL)

(72) Inventor: **Johan Weernink**, Diepenheim (NL)

(73) Assignee: **Rosti Mepal Support B.V.**, Lochem (NL)

(**) Term: **14 Years**

(21) Appl. No.: **29/482,438**

(22) Filed: **Feb. 18, 2014**

(51) **LOC (10) Cl.** **07-07**

(52) **U.S. Cl.**
USPC **D7/629**

(58) **Field of Classification Search**
USPC D7/601, 629, 630, 538-542;
220/780-812, 326, 236, 4.21, 574-575
CPC B65D 2543/00092; B65D 2543/00537;
B65D 2543/00296; B65D 43/02; B65D 1/26;
A47J 47/02; A47J 47/08; A47J 47/10
See application file for complete search history.

(56) **References Cited**

U.S. PATENT DOCUMENTS

5,065,889 A * 11/1991 Conti 220/360
D666,461 S * 9/2012 Siegel D7/629

* cited by examiner

Primary Examiner — Terry Wallace

(74) *Attorney, Agent, or Firm* — Fross Zelnick Lehrman & Zissu, P.C.; Charles T. J. Weigell, Esq.

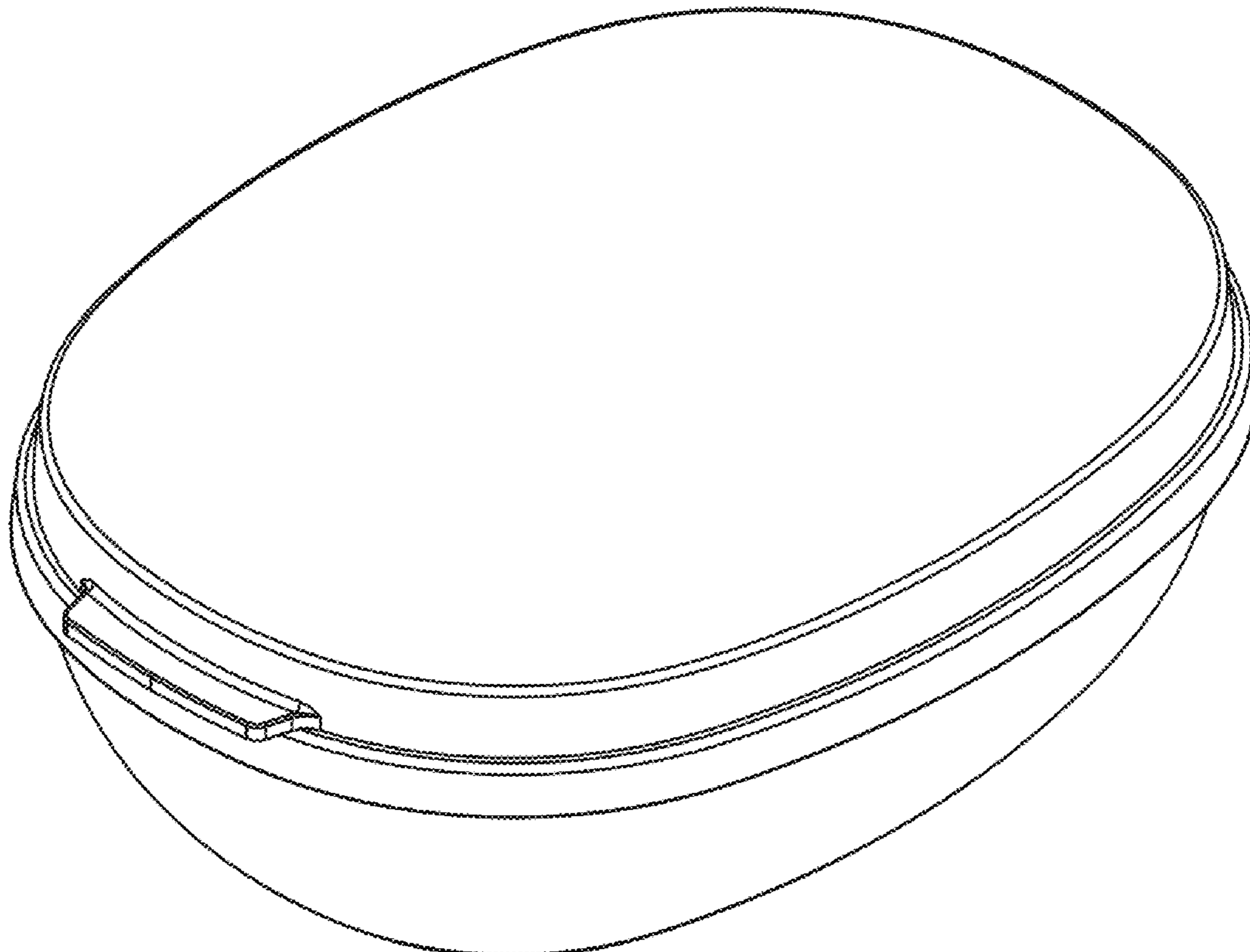
(57) **CLAIM**

The ornamental design for a container, as shown and described.

DESCRIPTION

FIG. 1 is a perspective view of a food storage container showing my new design;
FIG. 2 is a front side view of the container shown in FIG. 1;
FIG. 3 is a back side view of the container shown in FIG. 1;
FIG. 4 is a left side view of the container shown in FIG. 1 (with the right side view being a mirror image thereof);
FIG. 5 is a top view of the container shown in FIG. 1;
FIG. 6 is a bottom view of the container shown in FIG. 1; and,
FIG. 7 is an exploded view of the container shown in FIG. 1.

1 Claim, 7 Drawing Sheets



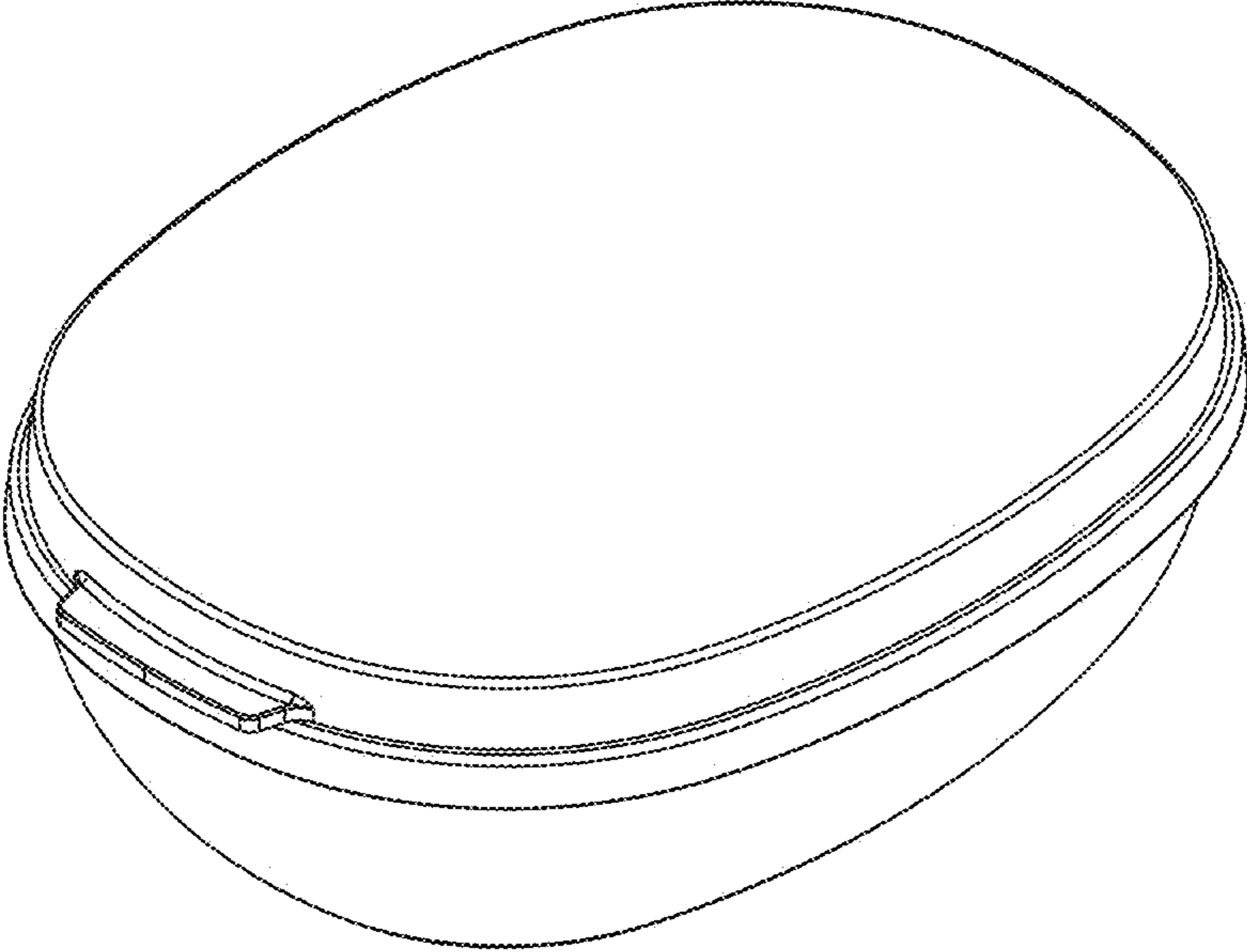


FIG. 1

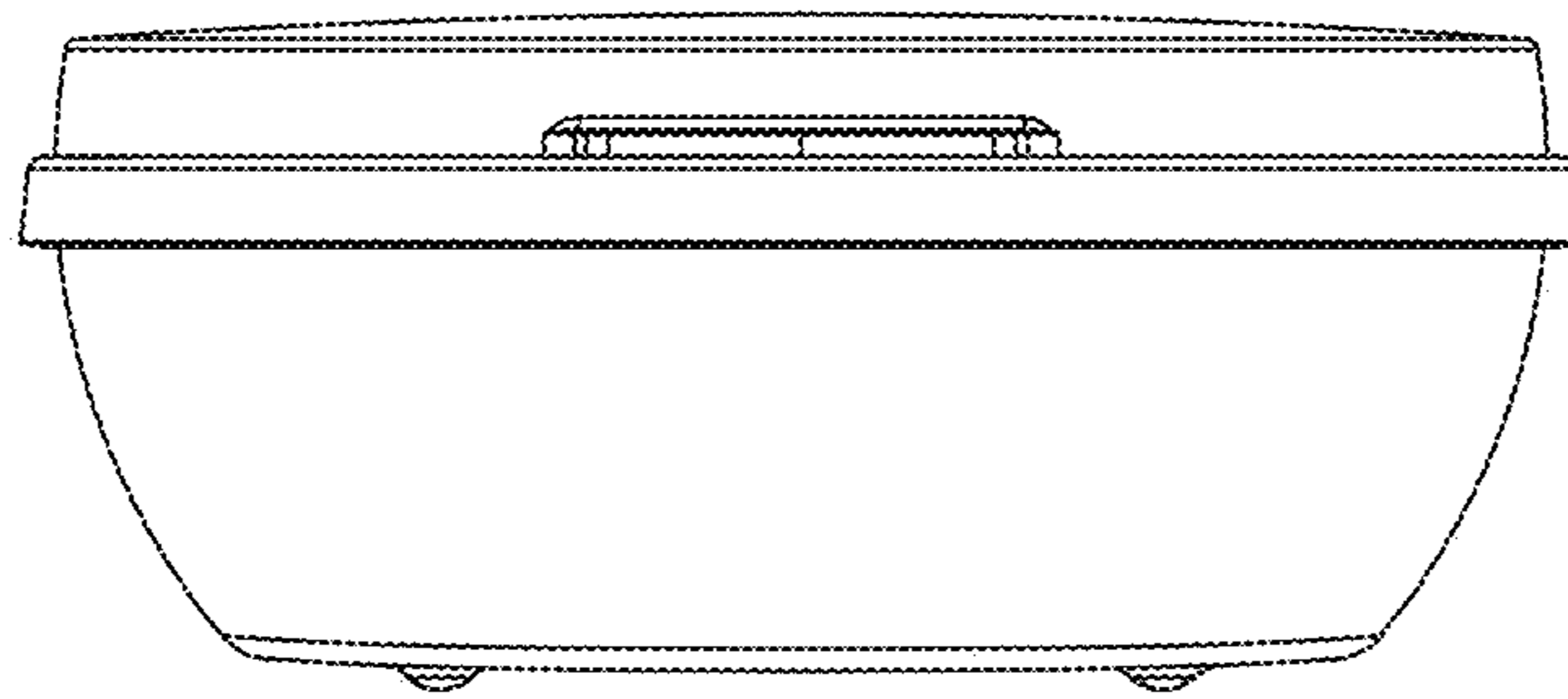


FIG. 2

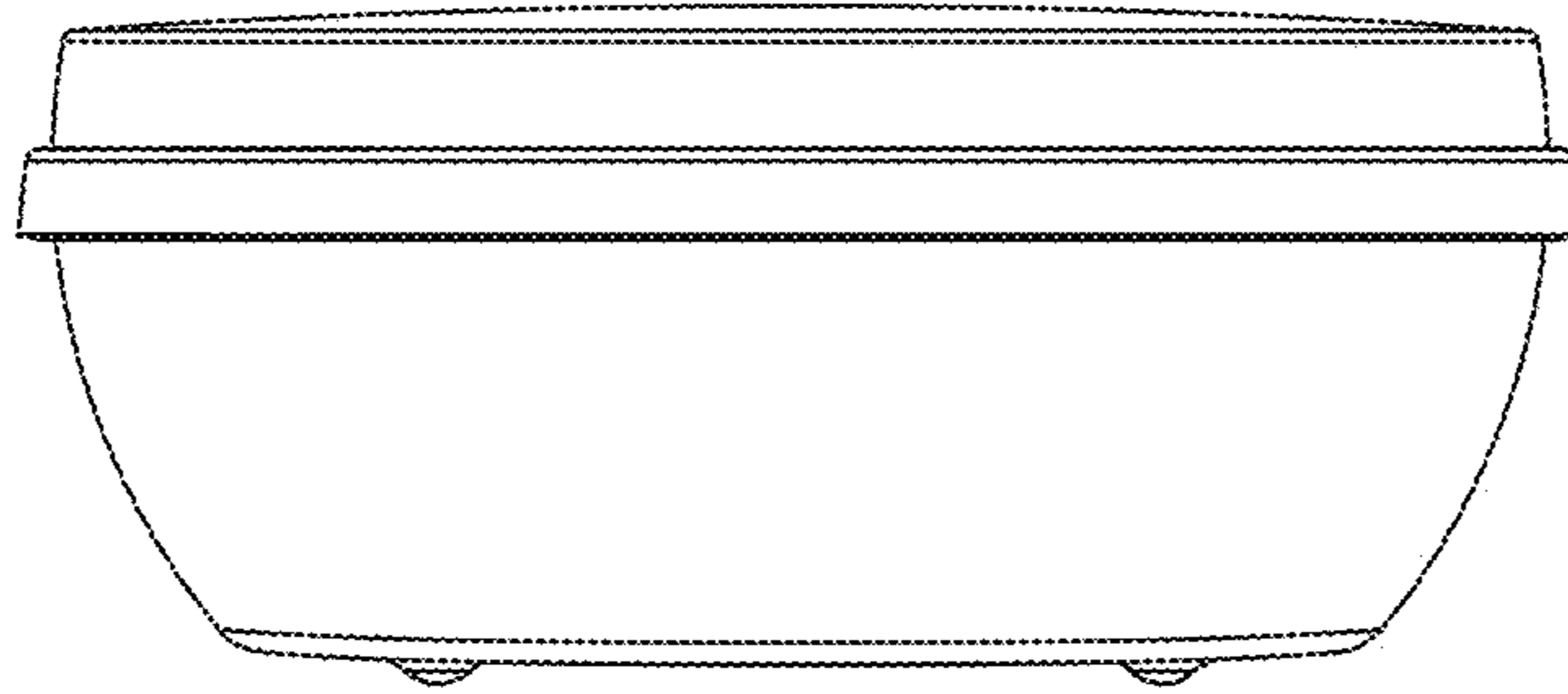


FIG. 3

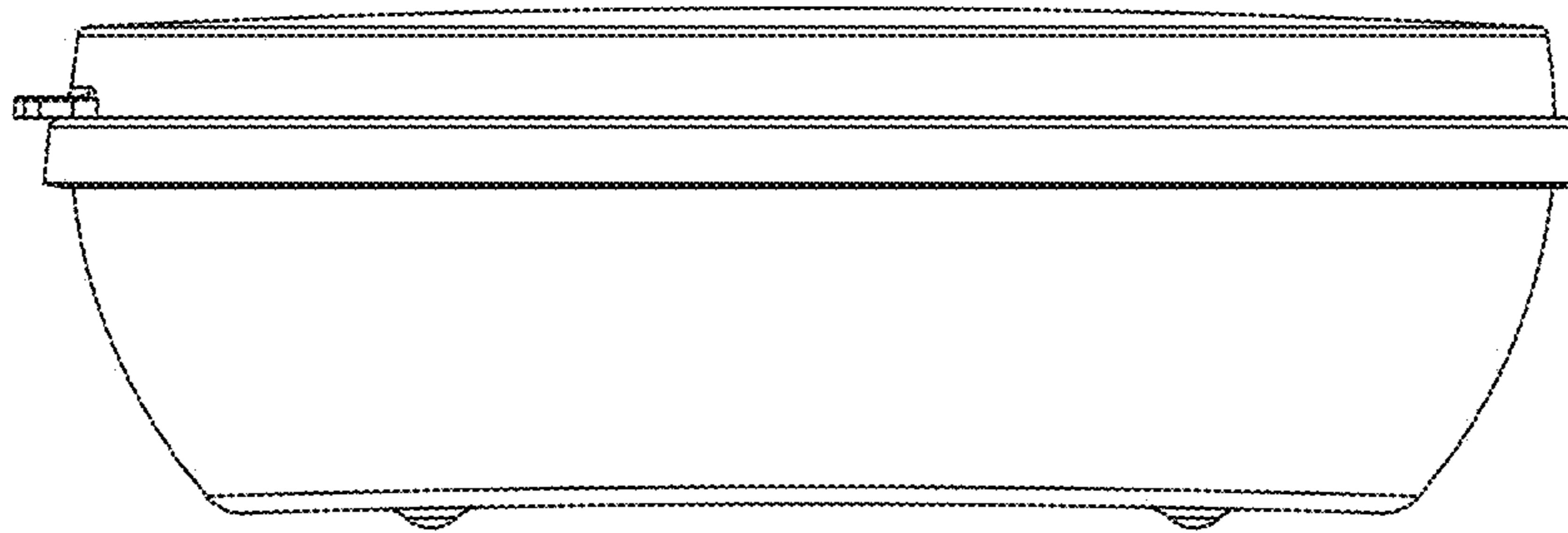


FIG. 4

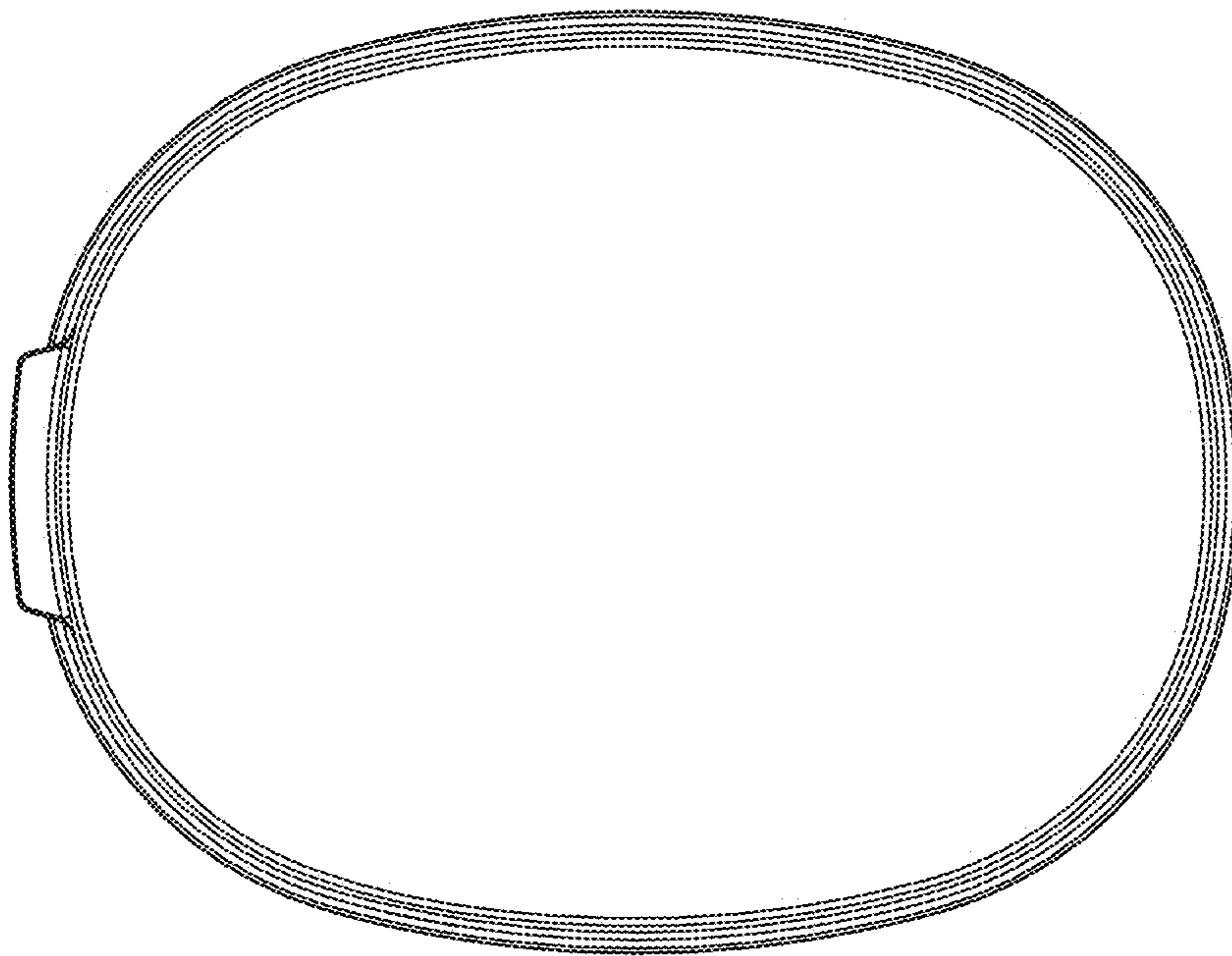


FIG. 5

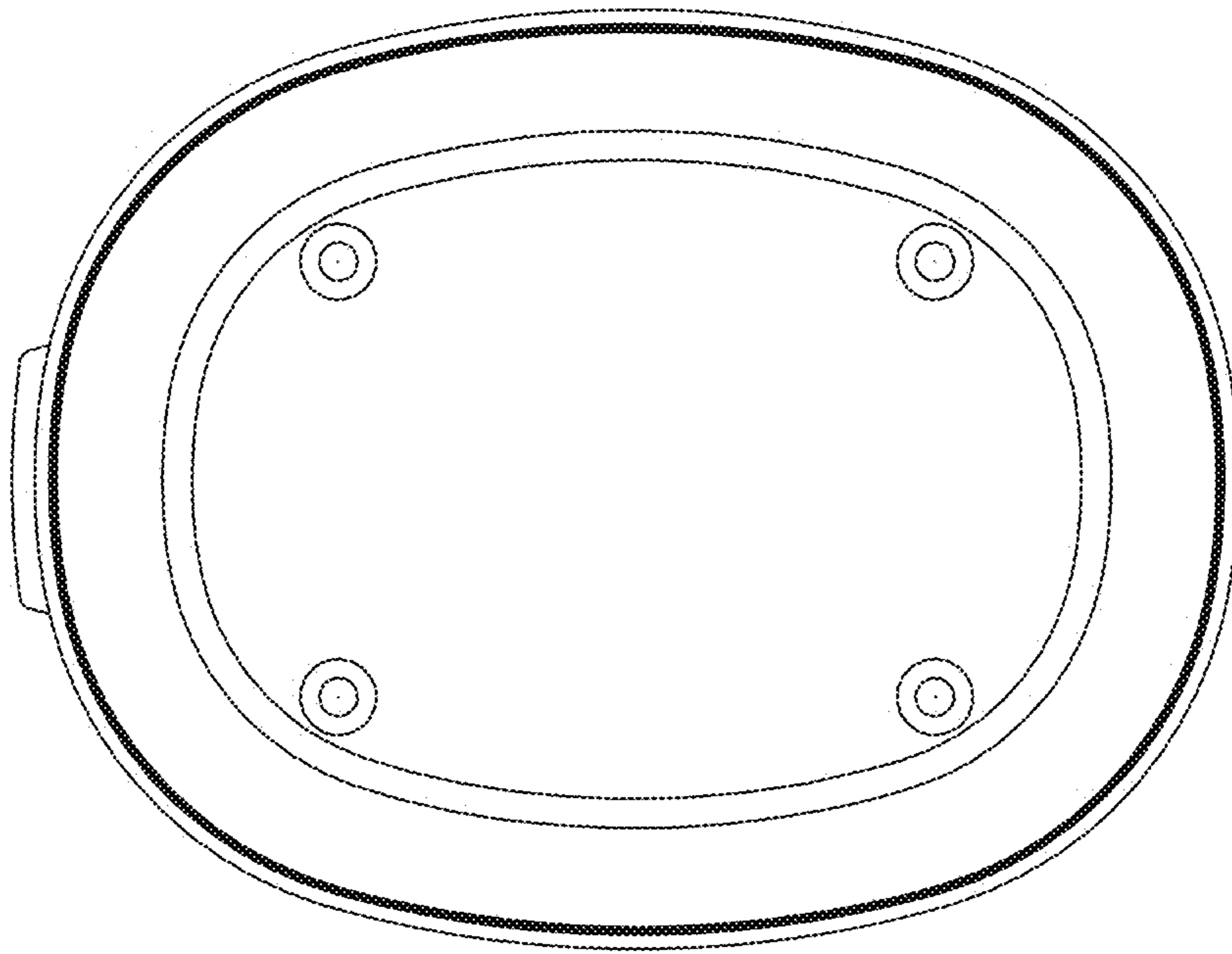


FIG. 6

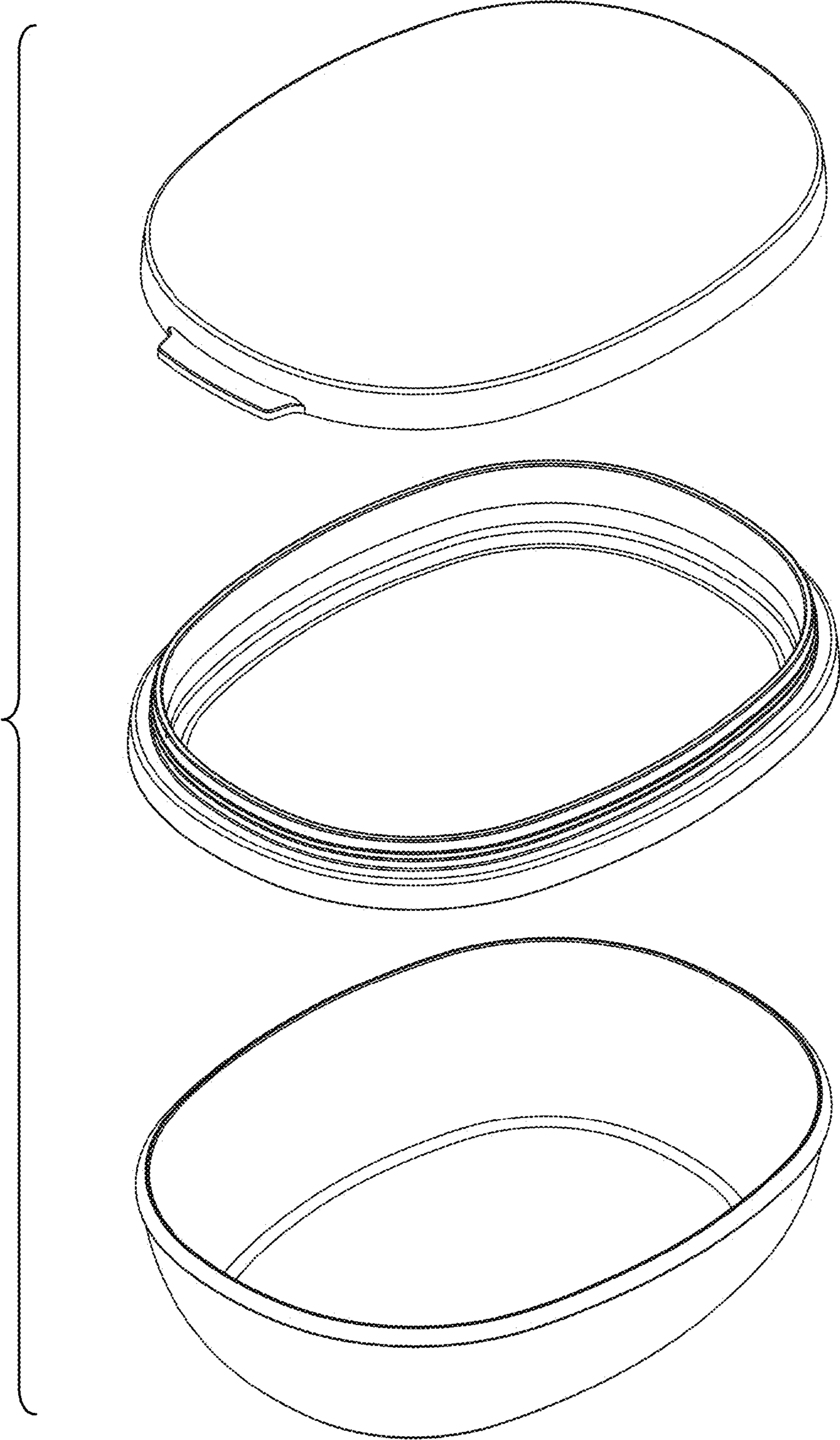


FIG. 7

UNITED STATES PATENT AND TRADEMARK OFFICE
CERTIFICATE OF CORRECTION

PATENT NO. : D741,114 S
APPLICATION NO. : 29/482438
DATED : October 20, 2015
INVENTOR(S) : Johan Weernink

Page 1 of 1

It is certified that error appears in the above-identified patent and that said Letters Patent is hereby corrected as shown below:

Title page, item (30) Foreign Application Priority Data is missing.

Insert

--(30) Foreign Application Priority Data

August 22, 2013 (IR)757457001--

Signed and Sealed this
Twenty-third Day of February, 2016



Michelle K. Lee
Director of the United States Patent and Trademark Office