

US00D741112S

(12) **United States Design Patent**
Luzano-Belfield et al.

(10) **Patent No.:** **US D741,112 S**
(45) **Date of Patent:** **** Oct. 20, 2015**

(54) **TRAY FOR GARNISH AND CONDIMENTS**

(71) Applicants: **Brain Luzano-Belfield**, Glendale, WI (US); **Jason Michael Gildea**, Oakland, CA (US)

(72) Inventors: **Brain Luzano-Belfield**, Glendale, WI (US); **Jason Michael Gildea**, Oakland, CA (US)

(**) Term: **14 Years**

(21) Appl. No.: **29/463,823**

(22) Filed: **Mar. 14, 2014**

(51) **LOC (10) Cl.** **07-06**

(52) **U.S. Cl.**
USPC **D7/590**

(58) **Field of Classification Search**
USPC D10/46.3, 46, 46.1, 46.2, 61, 96, 101, D10/103, 81; D7/590, 602, 628, 629, D7/538-548, 691, 692, 643, 647, 653, 587, D7/600.1, 533, 505, 601, 300, 637-638, D7/688, 693, 368, 213, 536, 500, 316, 318, D7/667, 689, 560; 73/426-429, 1.73, 73/290 R, 291; 294/176, 178, 179, 180; 206/519, 520; 30/324-328; 222/548, 222/143, 553, 465, 466, 467, 499, 501, 222/23.83; D24/116; 220/780-783, 220/792-799, 805

CPC G01F 19/002; G01F 19/00; G01F 19/005; G01F 19/007; G01F 17/00; G01F 22/00; G01F 22/02; B65D 33/1616; B65D 77/245; B65D 21/00; B65D 1/34; B65D 1/36; B65D 1/38; B65D 5/00; B65D 51/04; B65D 5/503; B65D 5/5213; B65D 7/08; B65D 21/02; B65D 21/0206; B65D 21/0213; B65D 21/0233; A47G 19/00; A47G 21/00; A61J 7/00; A61J 7/0023; A61J 3/00; B29C 45/16; B29C 2045/1659; B29K 2995/0018; A01B 1/02; A47J 45/00; A47J 43/281; A47J 47/01; A47J 47/02; A47B 57/00; A65D 3/00; A65D 3/08

See application file for complete search history.

(56) **References Cited**

U.S. PATENT DOCUMENTS

2,810,958	A *	10/1957	Monti	30/327
3,001,404	A *	9/1961	McDonnell, Jr. et al.	73/426
3,798,975	A *	3/1974	Horst	73/429
D259,462	S *	6/1981	Daenen et al.	D10/46.2
D274,776	S *	7/1984	Molloy et al.	D7/691
D297,202	S *	8/1988	Zumwalt	D7/691
D302,920	S *	8/1989	Ancona et al.	D10/46.2
D321,305	S *	11/1991	Underwood et al.	D7/691
5,137,316	A *	8/1992	Foos	294/180
D331,023	S *	11/1992	Mulry et al.	D10/46.2
D332,377	S *	1/1993	Aditya	D7/667
5,203,459	A *	4/1993	Wade	206/572
D338,599	S *	8/1993	Zogg et al.	D7/691
D339,720	S *	9/1993	Kolada	D7/667
D340,768	S *	10/1993	Jabour	D24/122
D344,686	S *	3/1994	Weterrings	D10/46.2

(Continued)

Primary Examiner — Ian Simmons

Assistant Examiner — Shannon Morgan

(74) *Attorney, Agent, or Firm* — James A. Gavney, Jr.; Jag Patent Services

(57) **CLAIM**

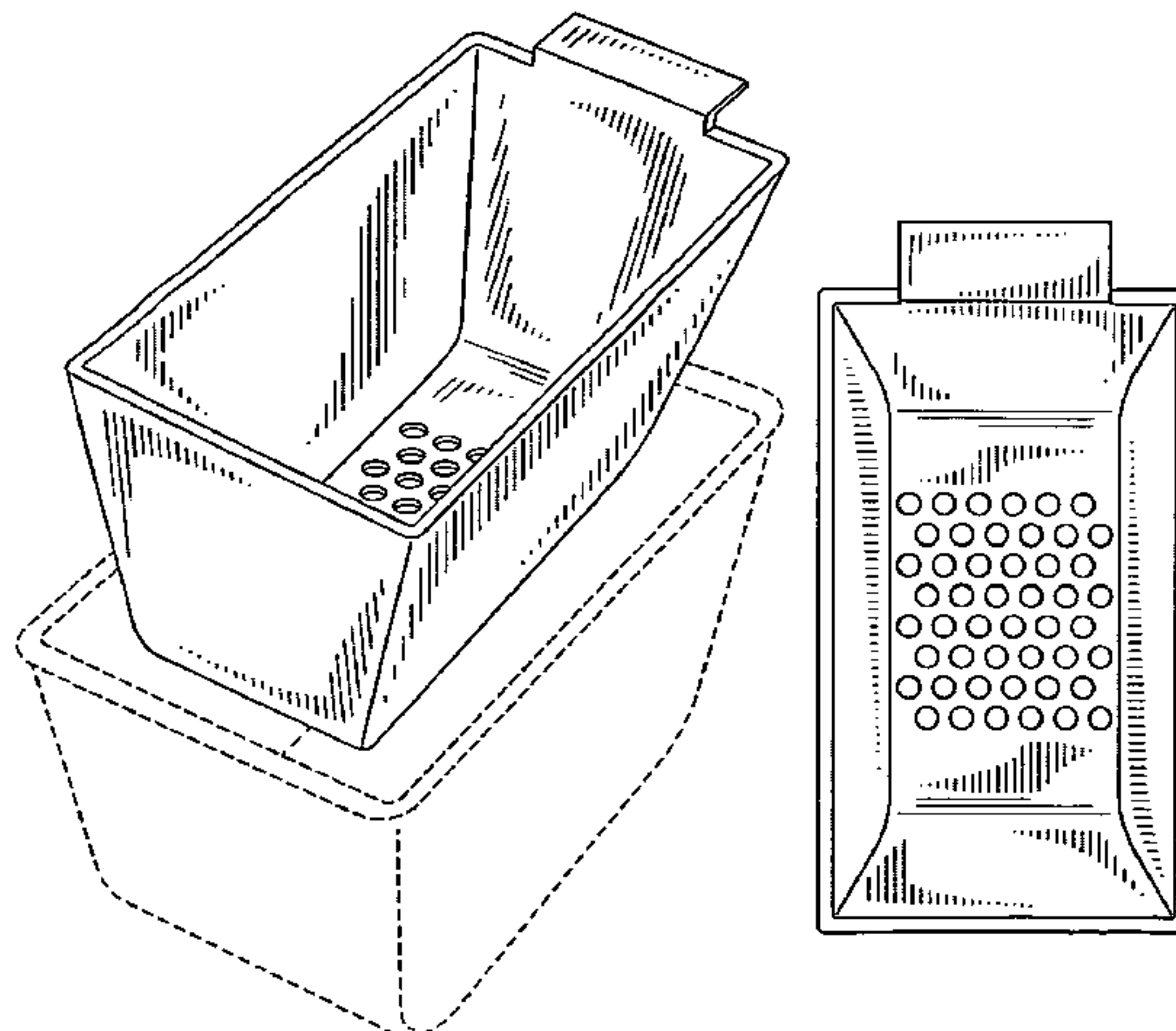
We claim the ornamental design for a tray for garnish and condiments, as shown and described.

DESCRIPTION

FIG. 1 is a top, front right perspective view of a tray for garnish and condiments showing our new design; FIG. 2 is a top plan view thereof; FIG. 3 is a bottom plan view thereof; FIG. 4 is a right side elevational view thereof; FIG. 5 is a left side elevational view thereof; FIG. 6 is a front elevational view thereof; and, FIG. 7 is a back elevational view thereof.

The broken lines in FIG. 1 of the tray for garnish and condiments are for the purpose of illustrating environment and form no part of the claimed design.

1 Claim, 2 Drawing Sheets



(56)

References Cited

U.S. PATENT DOCUMENTS

5,325,717 A * 7/1994 Robbins et al. 73/429
5,347,865 A * 9/1994 Mulry et al. 73/427
D352,869 S * 11/1994 Lathrop D7/691
5,422,076 A * 6/1995 Jones 600/574
5,550,532 A * 8/1996 Marshall 340/604
D403,211 S * 12/1998 Weterrings D7/691
5,918,922 A * 7/1999 Lathrop et al. 294/180
D495,964 S * 9/2004 Overthun et al. D10/46.2
D498,121 S * 11/2004 Moeller et al. D7/667

D500,850 S * 1/2005 Clark et al. D24/116
D530,632 S * 10/2006 Kaposi D10/46.2
D567,600 S * 4/2008 Matsumura et al. D7/691
D595,997 S * 7/2009 Lee D7/667
D620,769 S * 8/2010 Mangin et al. D7/691
D691,426 S * 10/2013 Brown et al. D7/667
2005/0247129 A1 * 11/2005 Carragan 73/426
2007/0007290 A1 * 1/2007 Setty et al. 220/23.83
2010/0089151 A1 * 4/2010 Mantilla et al. 73/426
2010/0206885 A1 * 8/2010 Bowden et al. 220/574.1
2010/0326848 A1 * 12/2010 Mangin et al. 206/216

* cited by examiner

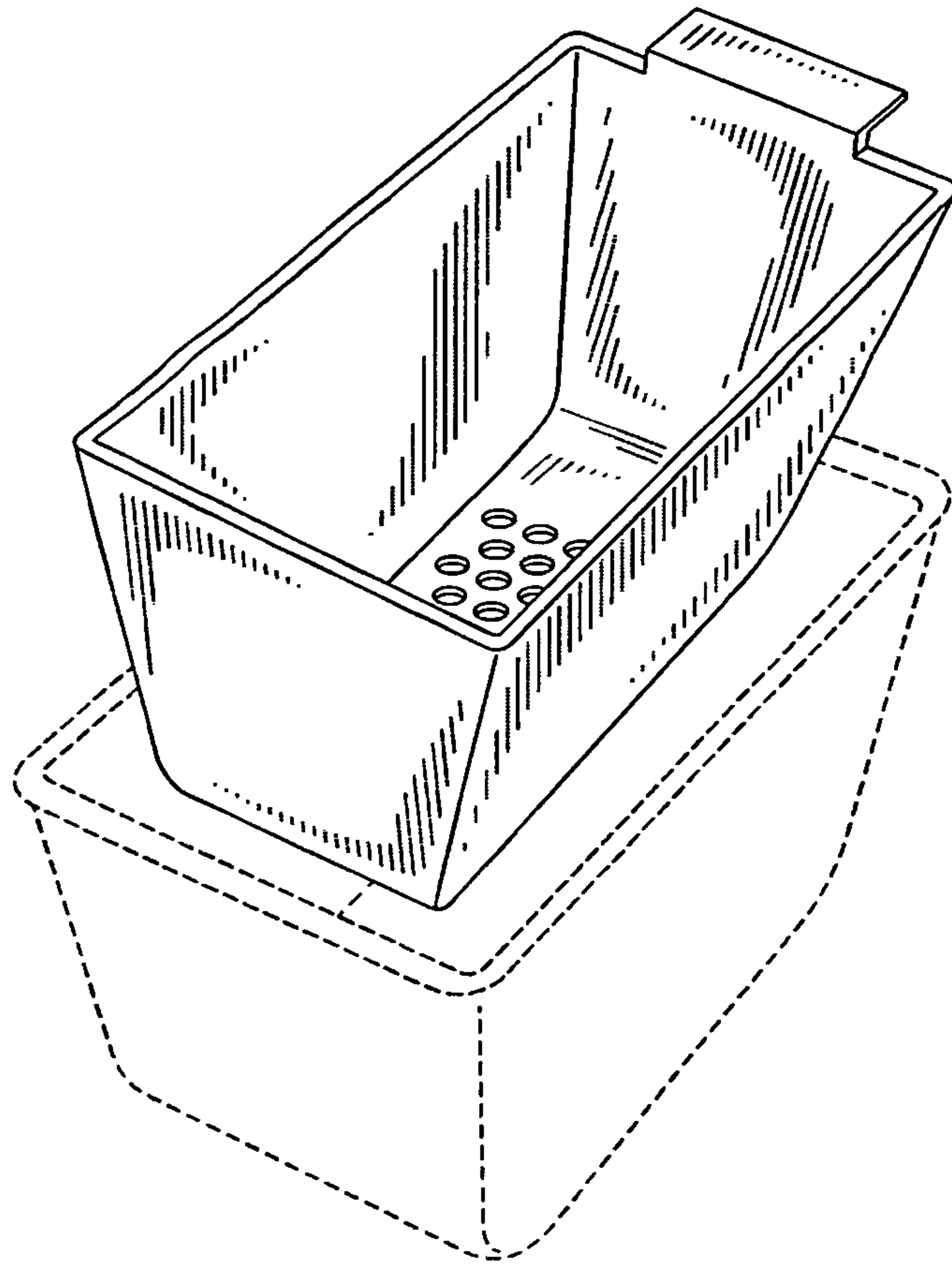


FIG. 1

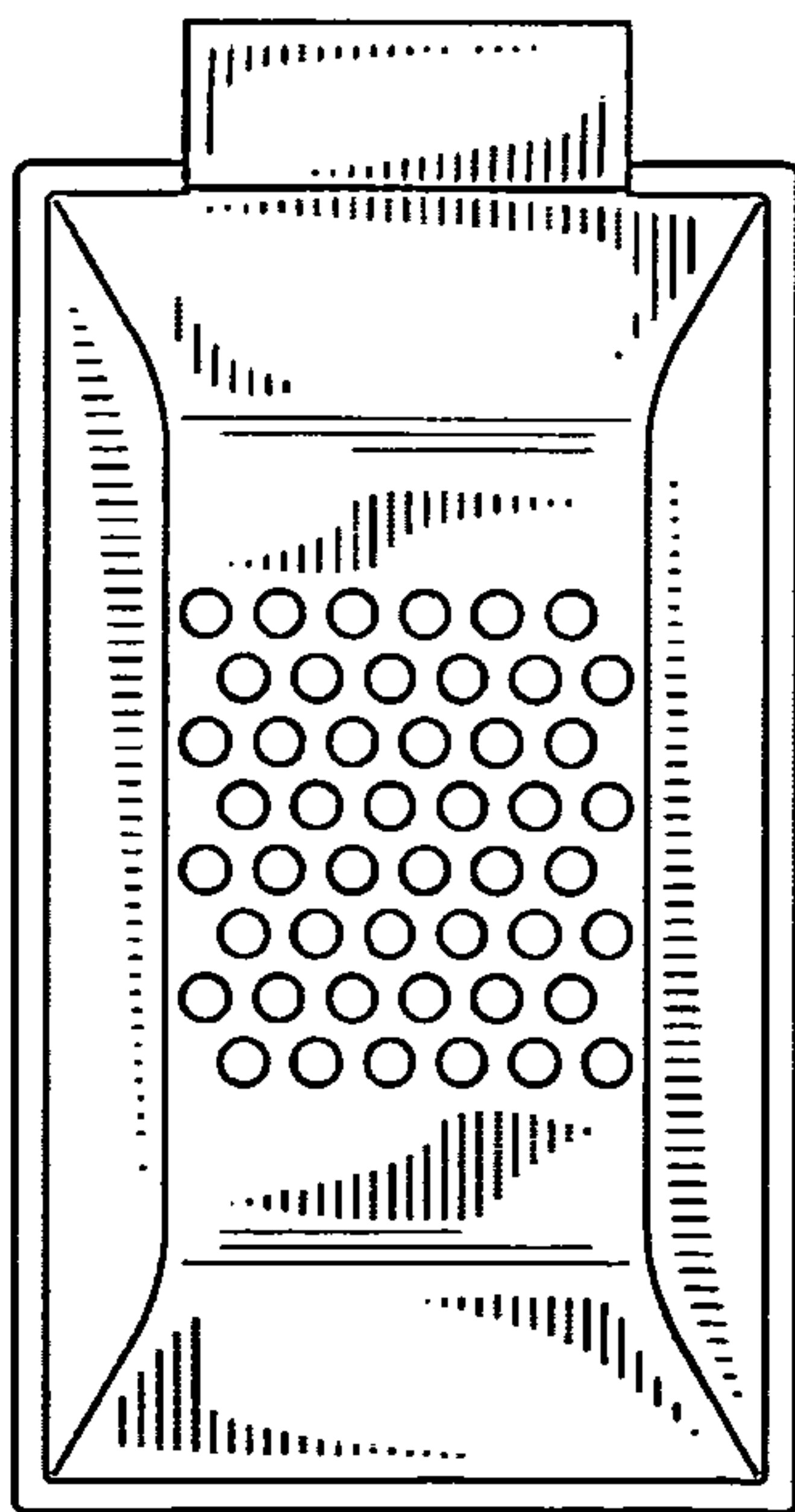


FIG. 2

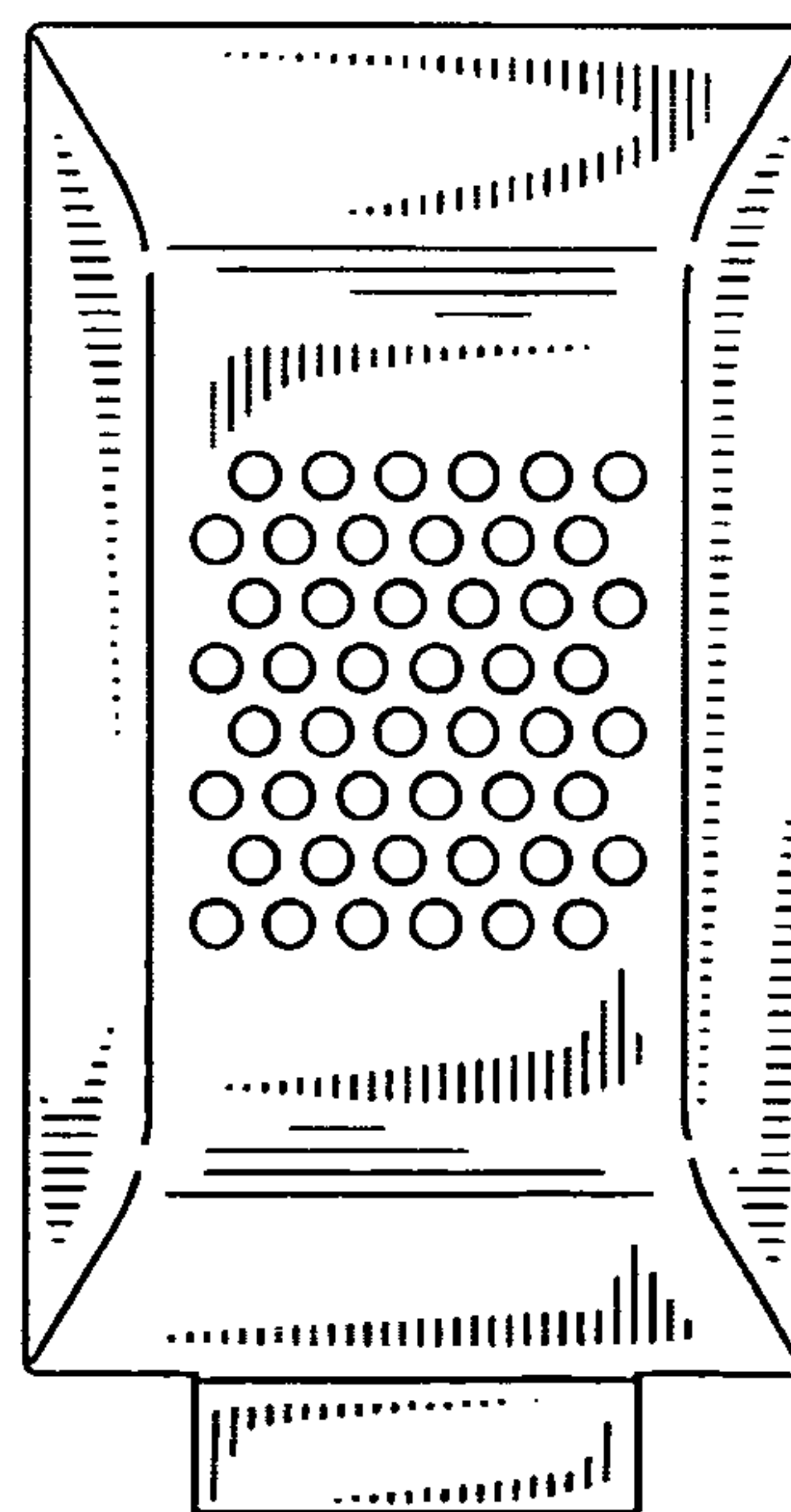


FIG. 3

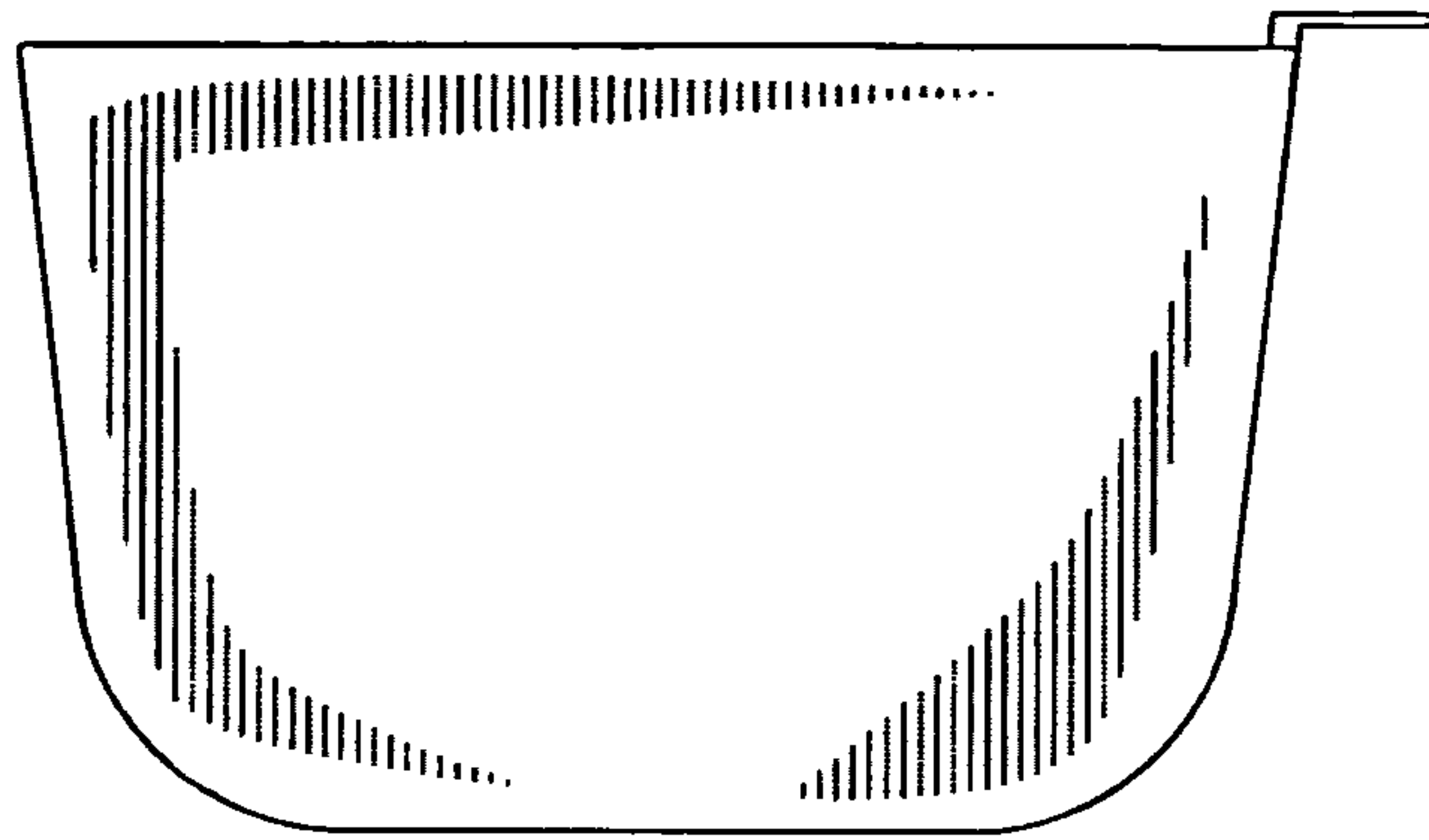


FIG. 4

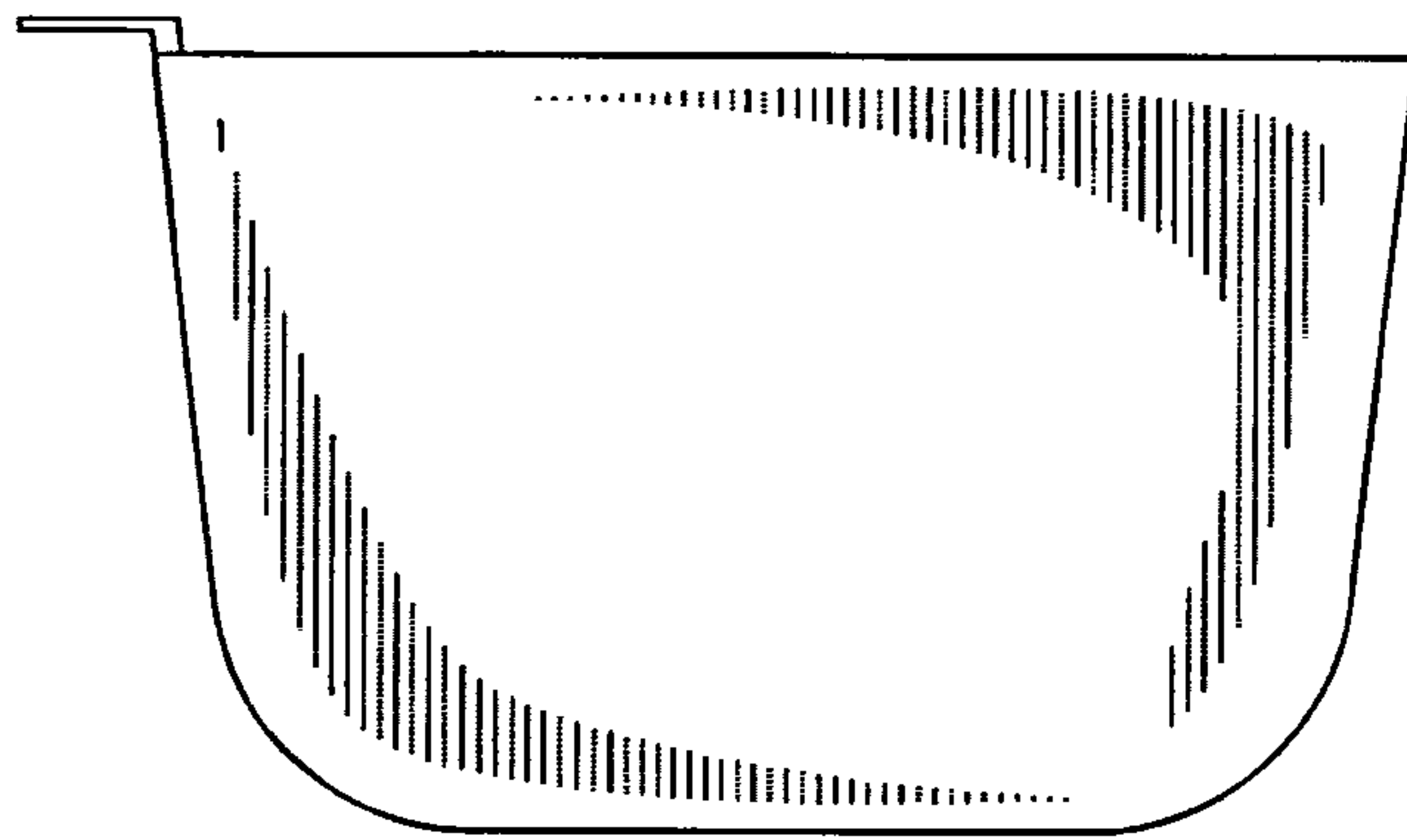


FIG. 5

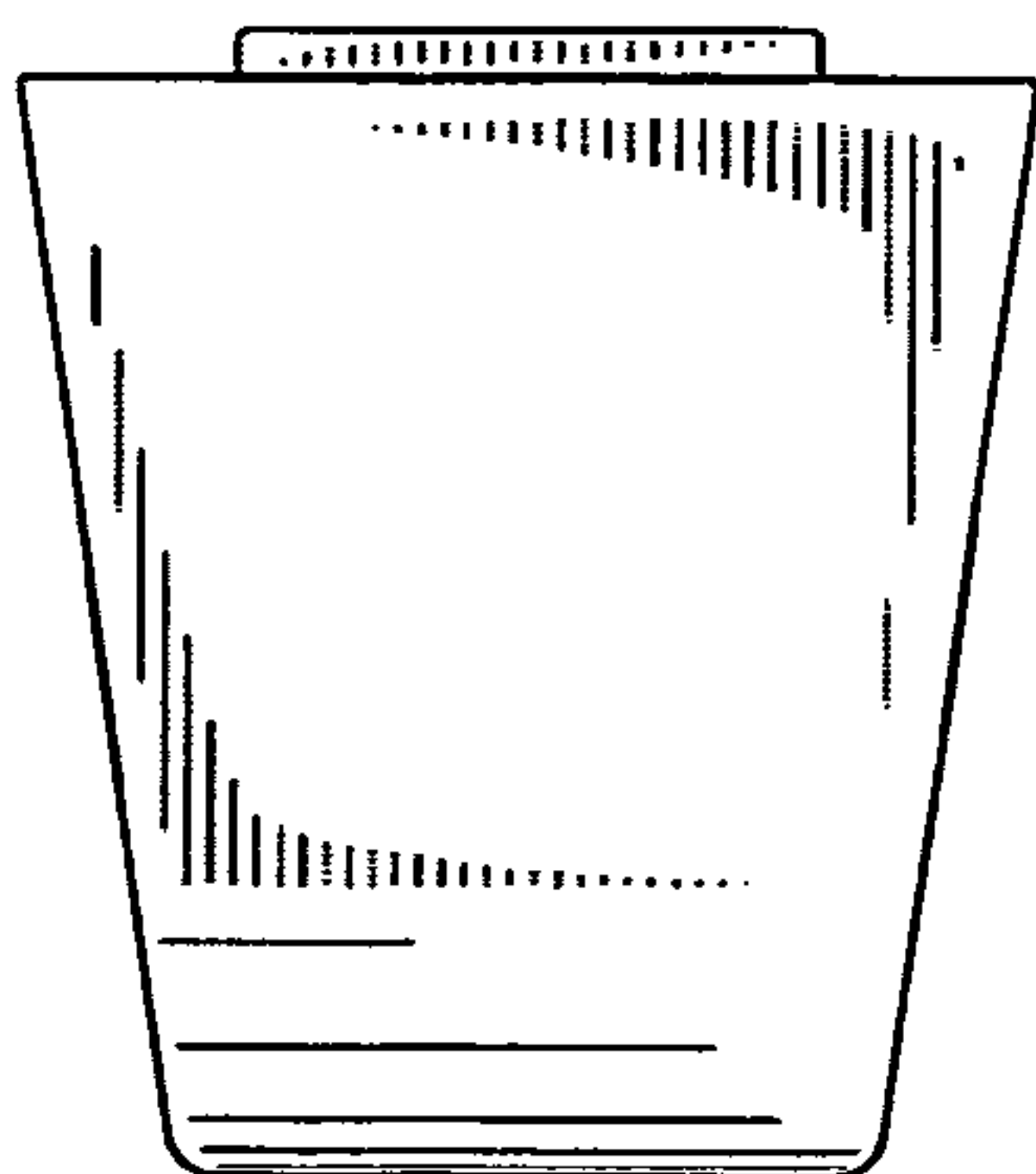


FIG. 6

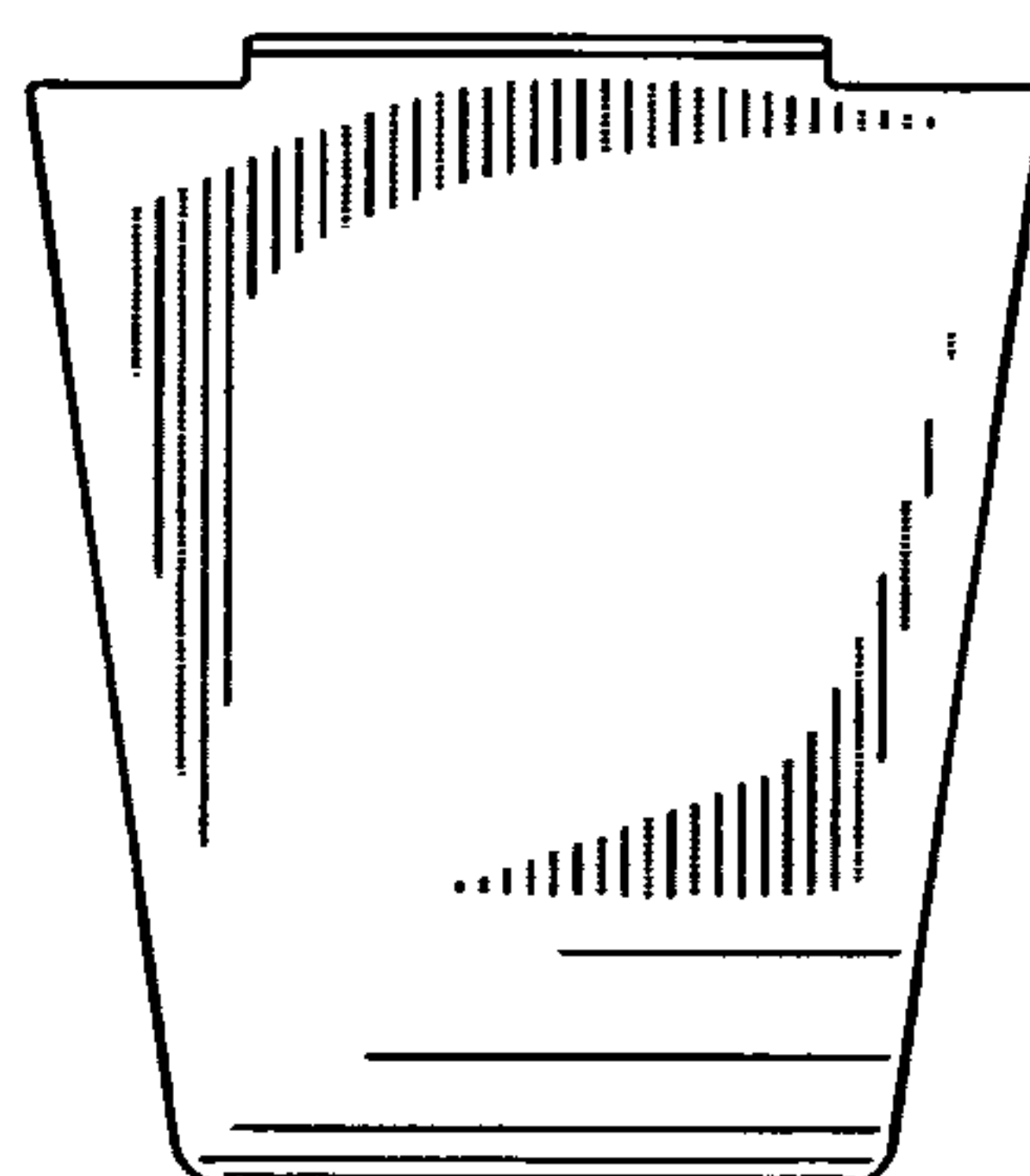


FIG. 7