

US00D741110S

(12) **United States Design Patent**  
**Haessig**

(10) **Patent No.:** **US D741,110 S**

(45) **Date of Patent:** **\*\* Oct. 20, 2015**

(54) **ERGONOMIC DRINKING VESSEL**

(71) Applicant: **Gerald Francis Haessig**, New Orleans,  
LA (US)

(72) Inventor: **Gerald Francis Haessig**, New Orleans,  
LA (US)

(\*\*) Term: **14 Years**

(21) Appl. No.: **29/503,800**

(22) Filed: **Sep. 30, 2014**

(51) **LOC (10) Cl.** ..... **07-01**

(52) **U.S. Cl.**  
USPC ..... **D7/533; D7/523**

(58) **Field of Classification Search**  
USPC ..... D7/523, 532, 507, 509, 514, 515, 524,  
D7/516, 519, 533, 535, 536; 220/713, 703,  
220/592.16; 215/382

CPC ..... A47G 19/2205; A47J 39/00  
See application file for complete search history.

(56) **References Cited**

**U.S. PATENT DOCUMENTS**

604,514 A \* 5/1898 Belden ..... 215/382  
D168,409 S \* 12/1952 Kell ..... D7/524  
D208,319 S \* 8/1967 Manseau ..... D7/515

D233,875 S \* 12/1974 Mazur ..... D7/524  
D239,151 S \* 3/1976 Lundin ..... D7/523  
5,419,454 A \* 5/1995 Stowell et al. .... 220/574  
D427,853 S \* 7/2000 Kohlhase ..... D7/510  
D551,023 S \* 9/2007 Natalino et al. .... D7/533  
D573,840 S \* 7/2008 Kramer ..... D7/523  
D598,713 S \* 8/2009 Luft ..... D7/533  
D616,705 S \* 6/2010 DuBois ..... D7/510  
D620,760 S \* 8/2010 Wang Chen ..... D7/533  
D644,064 S \* 8/2011 DuBois ..... D7/507  
D723,336 S \* 3/2015 Ash ..... D7/536  
D729,013 S \* 5/2015 Riedel ..... D7/524

\* cited by examiner

*Primary Examiner* — Marianne Pandozzi

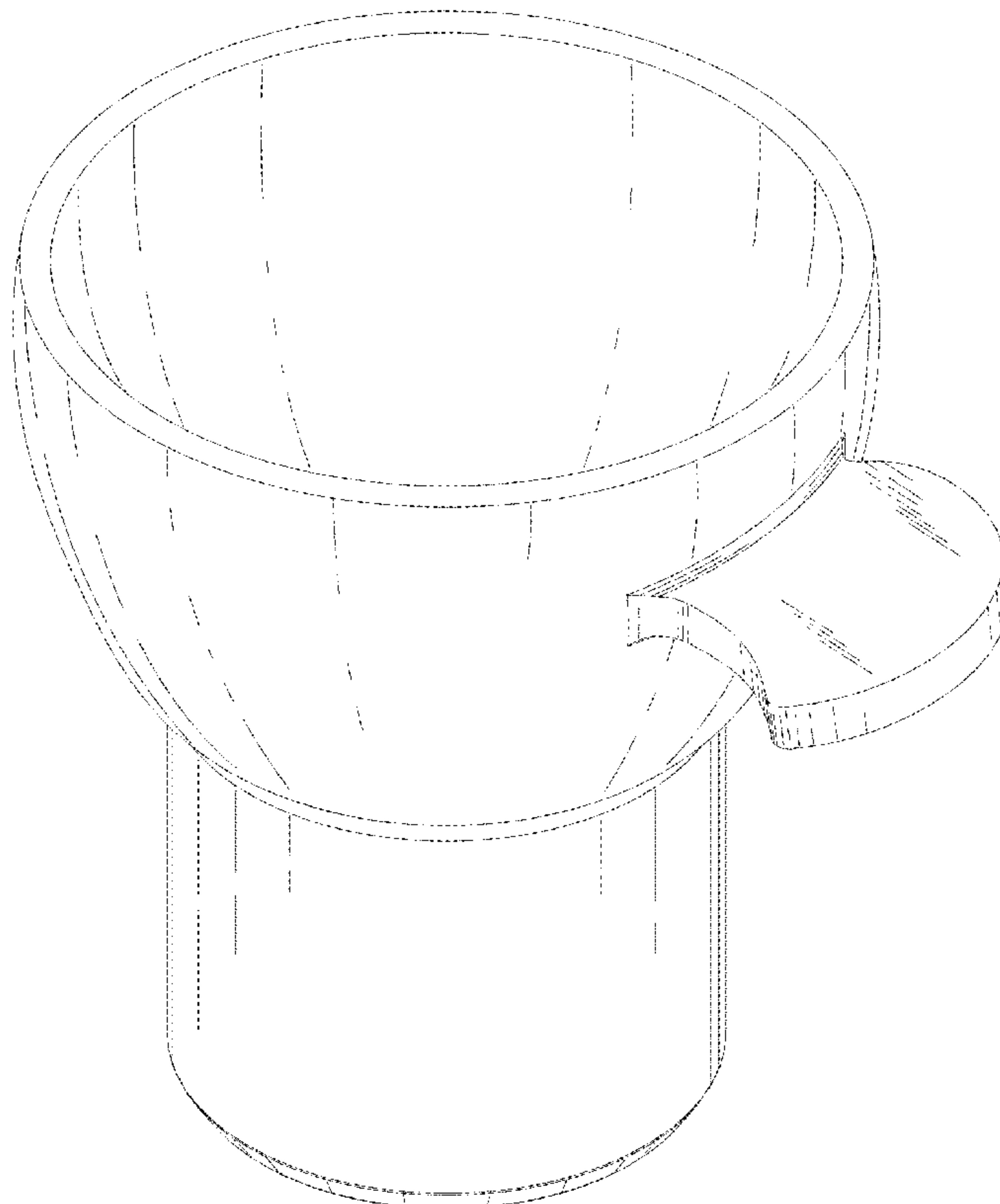
(57) **CLAIM**

The ornamental design for an ergonomic drinking vessel, as shown and described.

**DESCRIPTION**

FIG. 1 is a perspective view of the ergonomic drinking vessel;  
FIG. 2 is a front elevational view thereof;  
FIG. 3 is a rear elevational view thereof;  
FIG. 4 is a left side elevational view thereof;  
FIG. 5 is a right side elevational view thereof;  
FIG. 6 is a top plan view thereof; and,  
FIG. 7 is a bottom plan view thereof.

**1 Claim, 7 Drawing Sheets**



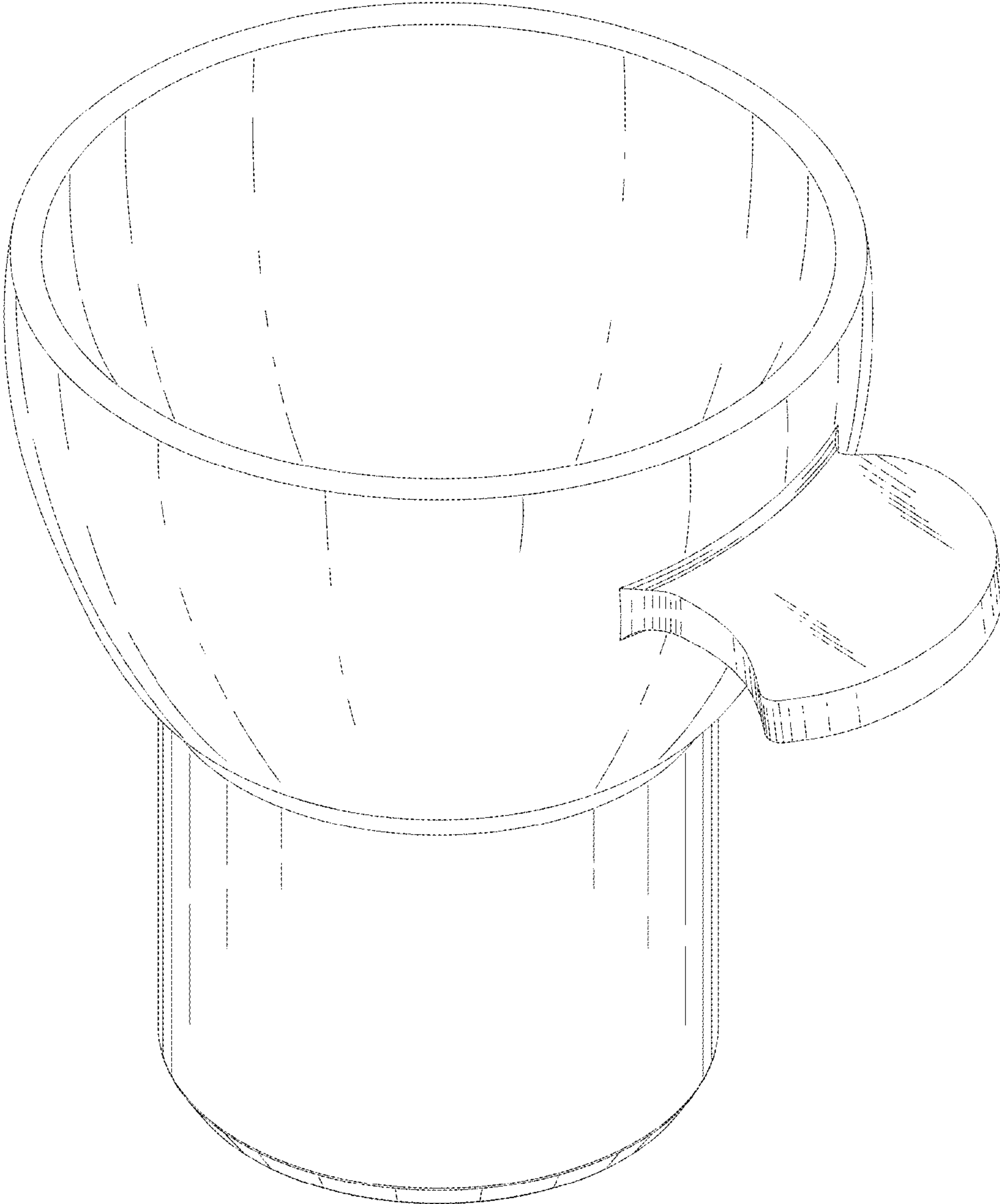


FIG. 1

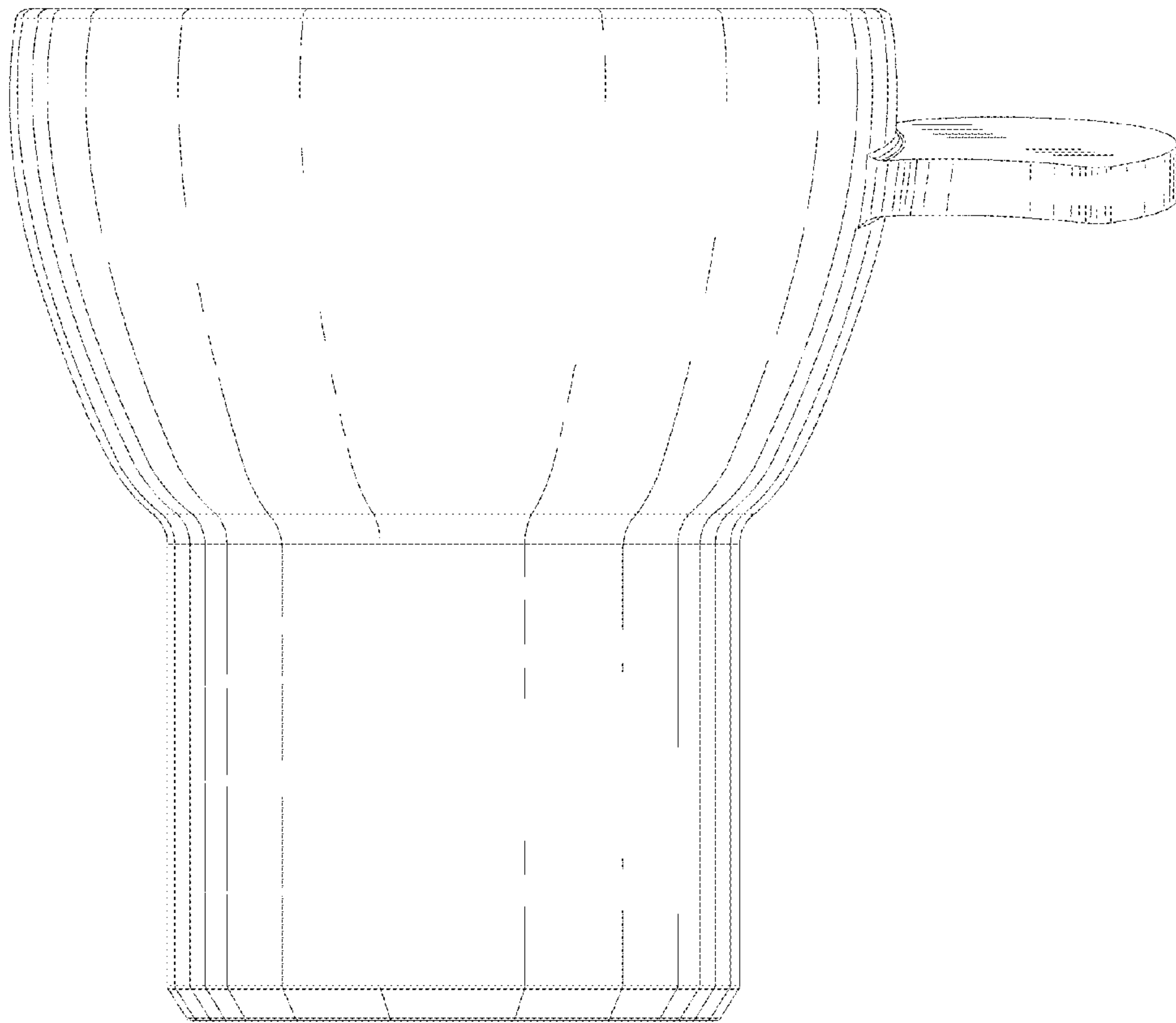


FIG. 2

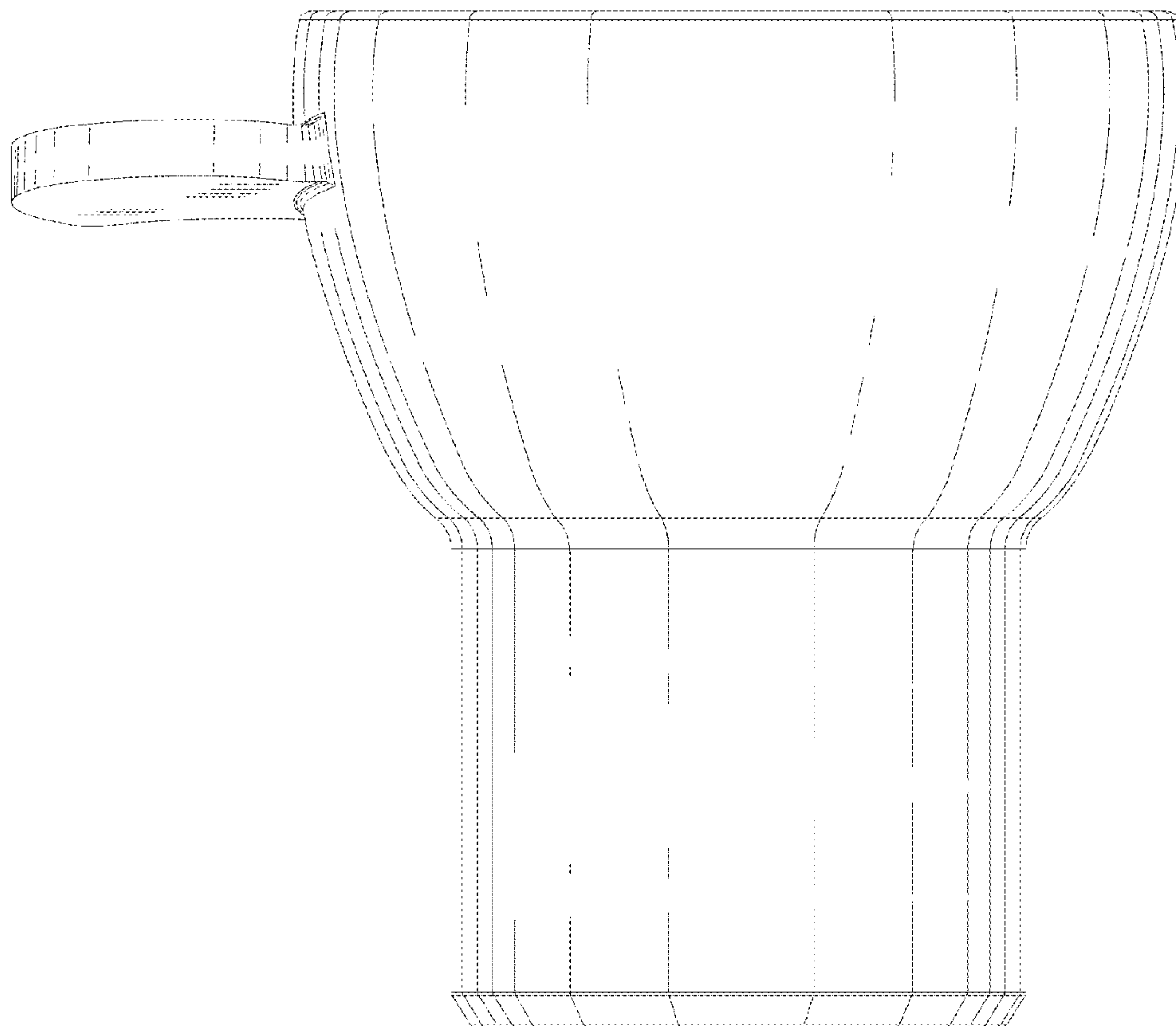


FIG. 3

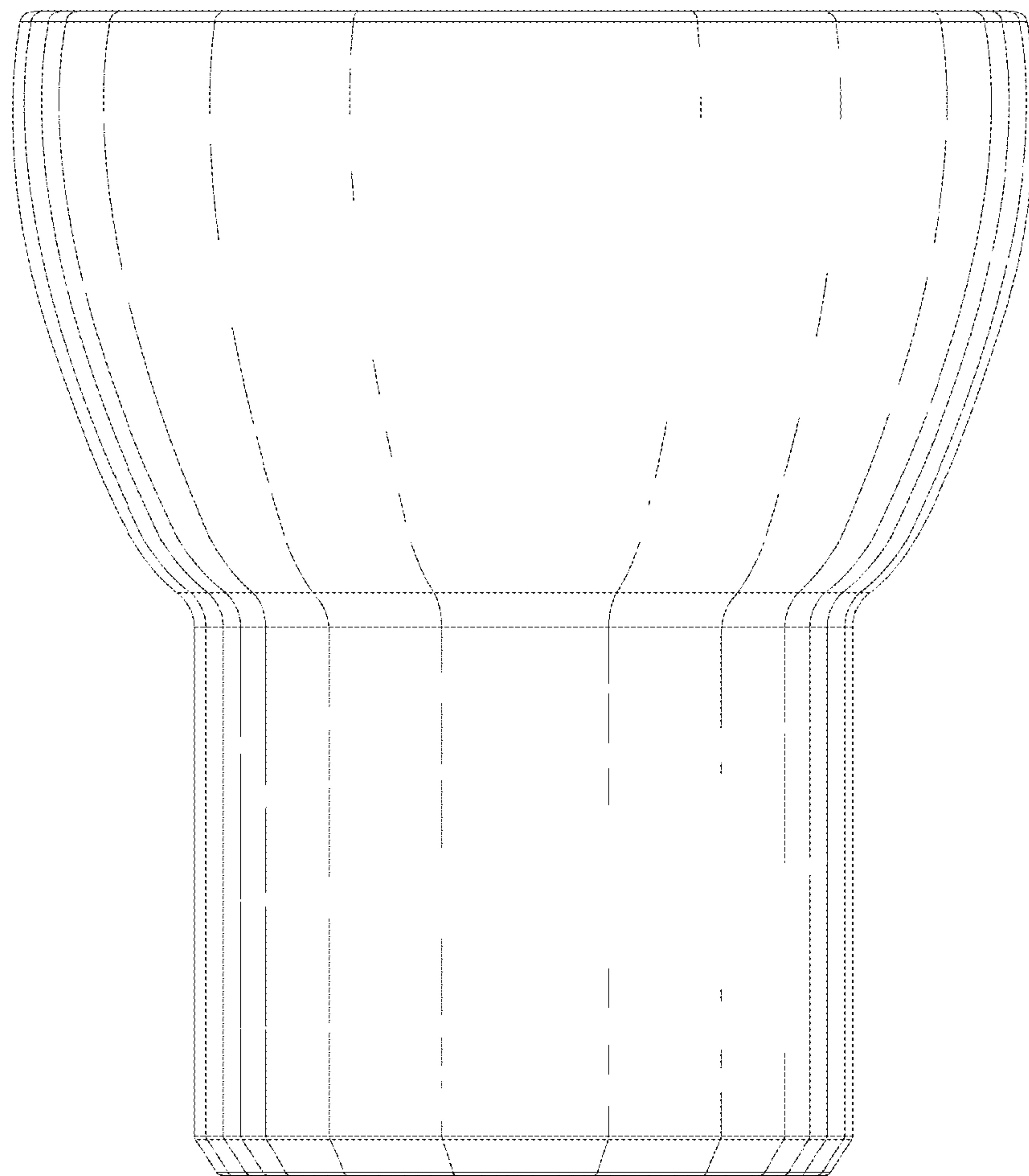


FIG. 4

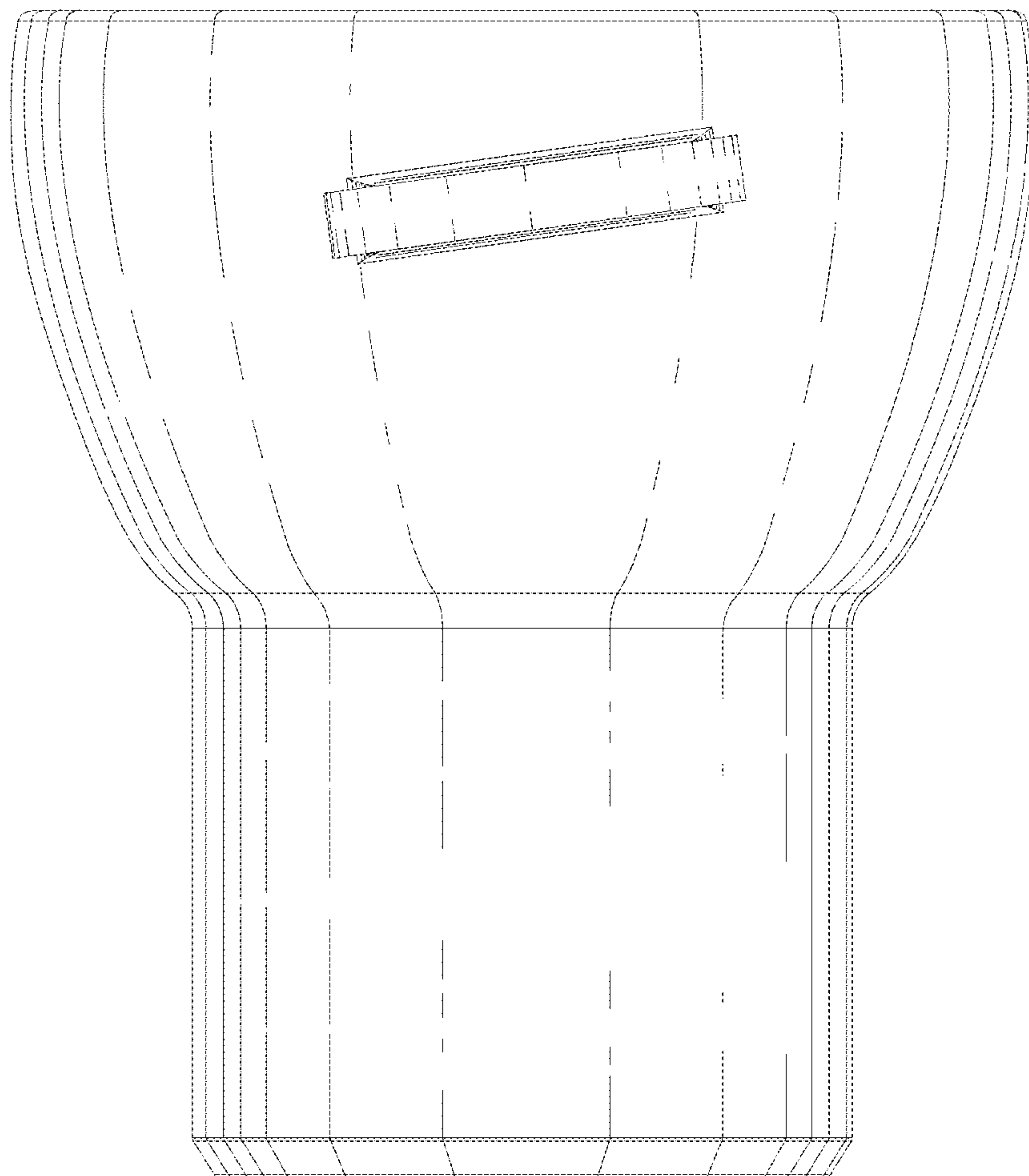


FIG. 5

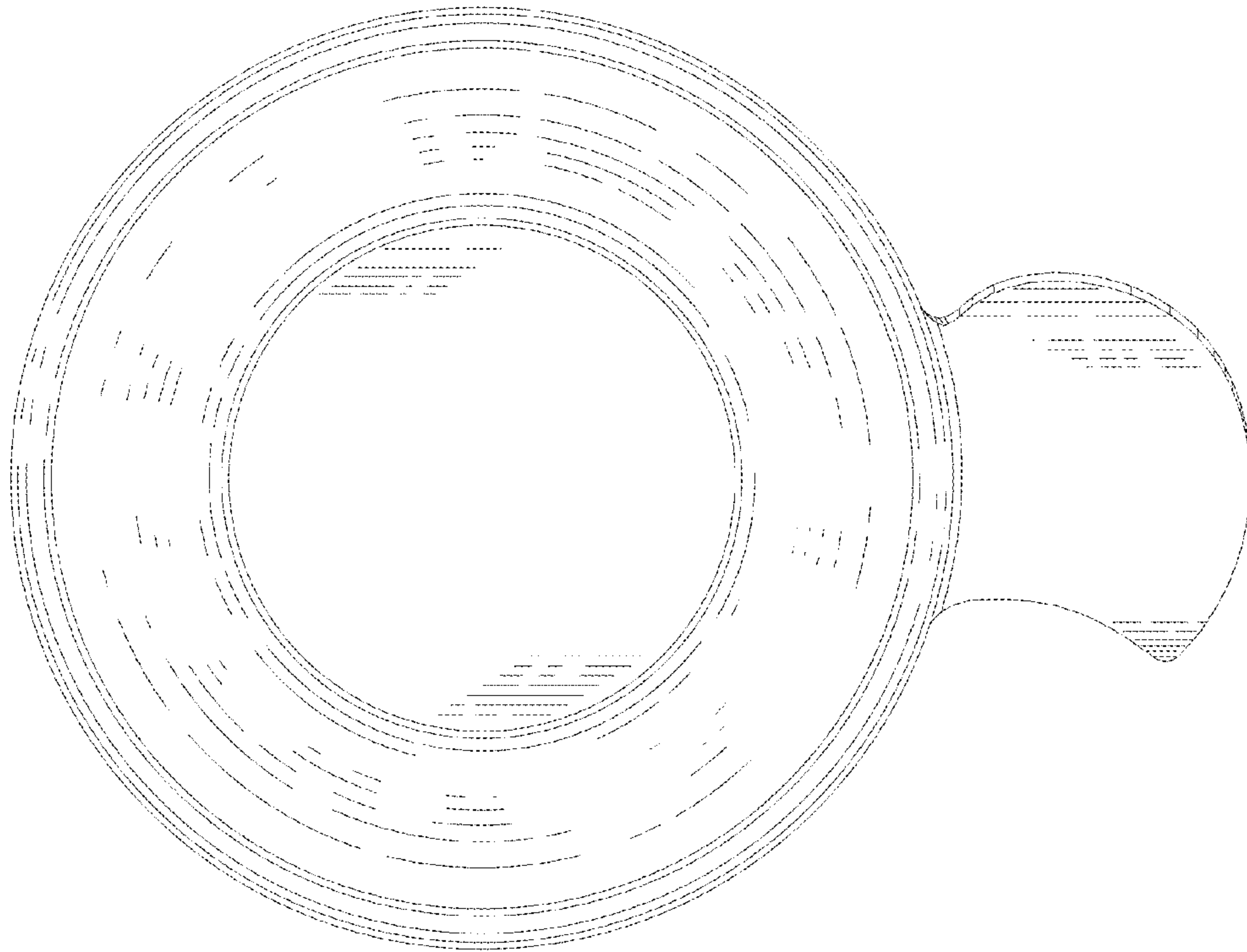


FIG. 6



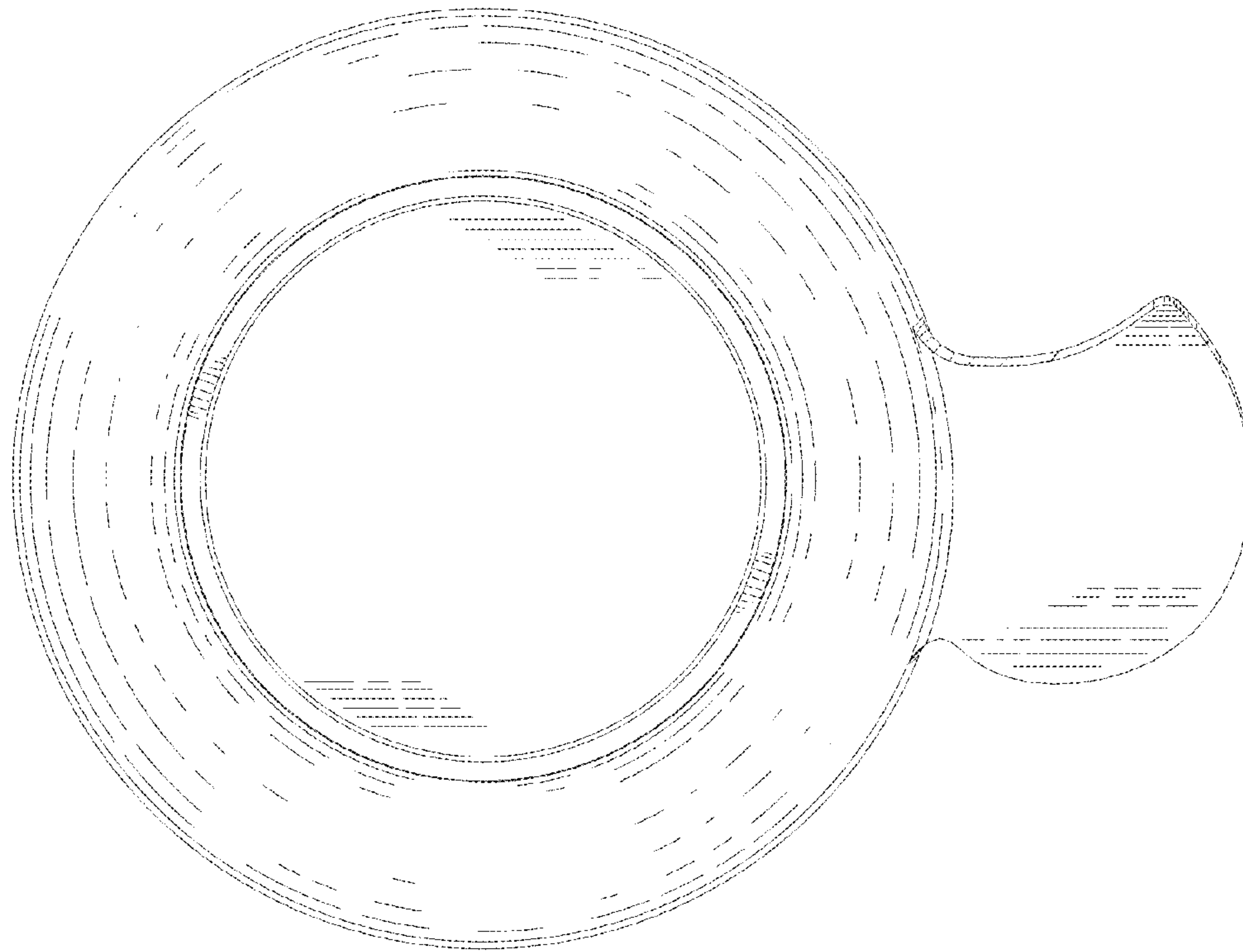


FIG. 7