



US00D741106S

(12) **United States Design Patent**
Lin

(10) **Patent No.:** **US D741,106 S**
(45) **Date of Patent:** **** Oct. 20, 2015**

- (54) **DOUGH DIVIDER-ROUNDER**
- (71) Applicant: **King-Yuan Lin**, Dallas, TX (US)
- (72) Inventor: **King-Yuan Lin**, Dallas, TX (US)
- (**) Term: **14 Years**
- (21) Appl. No.: **29/463,887**
- (22) Filed: **Mar. 27, 2014**
- (51) **LOC (10) Cl.** **31-00**
- (52) **U.S. Cl.**
USPC **D7/368**
- (58) **Field of Classification Search**
USPC D7/368, 376, 381; 99/348, 353;
425/193, 355, 365, 367, 373, 151, 215,
425/225, 320, 363, 362, 332, 364 R
CPC A21C 3/027; A21C 3/02; A21C 5/02;
A21C 7/01; A21C 9/08; A21C 11/08
See application file for complete search history.

- 5,775,804 A * 7/1998 Meier 366/76.8
- 5,783,222 A * 7/1998 Voyatzakis et al. 425/151
- D612,666 S * 3/2010 Lin D7/368
- D623,467 S * 9/2010 Lin D7/368
- D688,514 S 8/2013 Lin

* cited by examiner

Primary Examiner — Terry Wallace

(74) *Attorney, Agent, or Firm* — Todd N. Hathaway

(57) **CLAIM**

The ornamental design for a dough divider-rounder, as shown and described.

DESCRIPTION

FIG. 1 is a front elevational view of a dough divider-rounder showing my new design;
 FIG. 2 is a left side elevational view of the dough divider-rounder of FIG. 1;
 FIG. 3 is a right side elevational view thereof;
 FIG. 4 is a rear elevational view thereof; and,
 FIG. 5 is a top plan view thereof.
 No claim being made to the bottom view of the dough divider-rounder.

1 Claim, 5 Drawing Sheets

(56) **References Cited**

U.S. PATENT DOCUMENTS

- 4,668,174 A * 5/1987 Williams 425/145
- 4,898,528 A 2/1990 Willard et al.
- 5,605,708 A * 2/1997 Cummins et al. 425/332

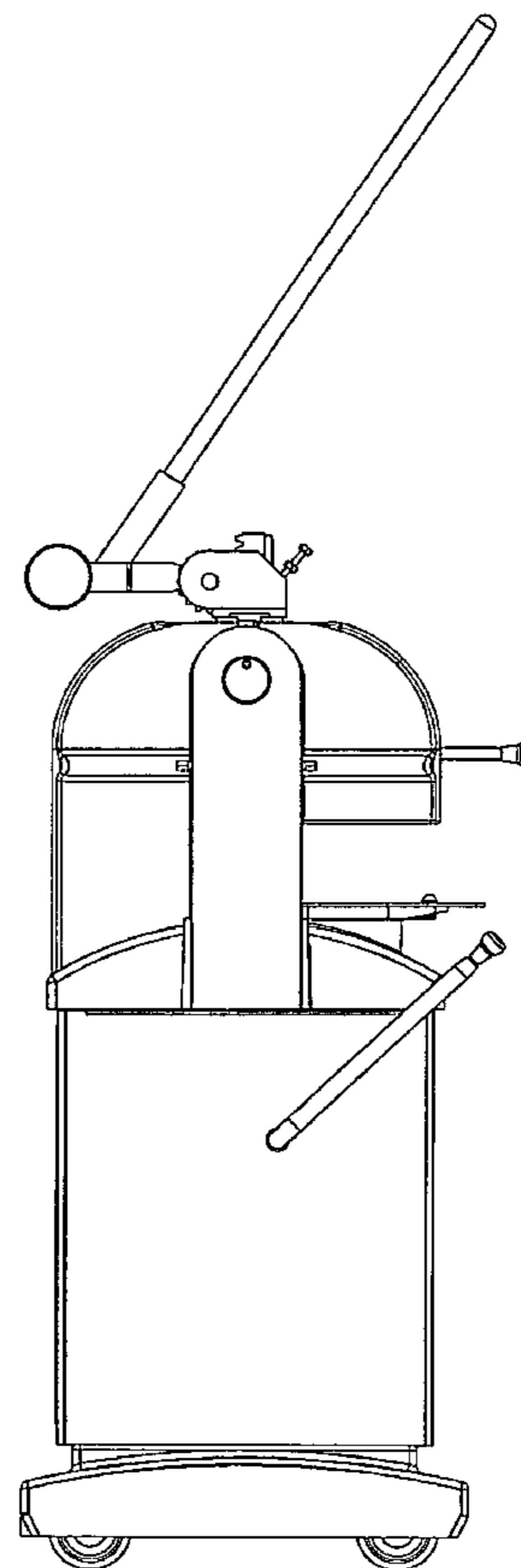
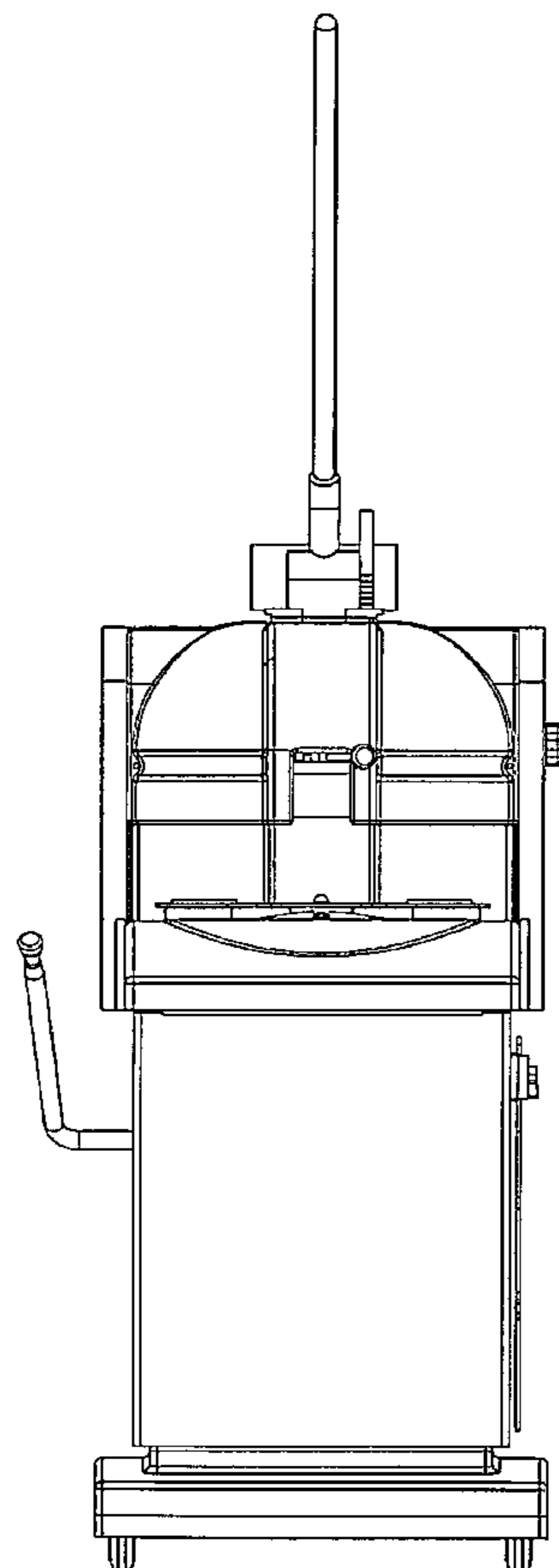


FIG. 1

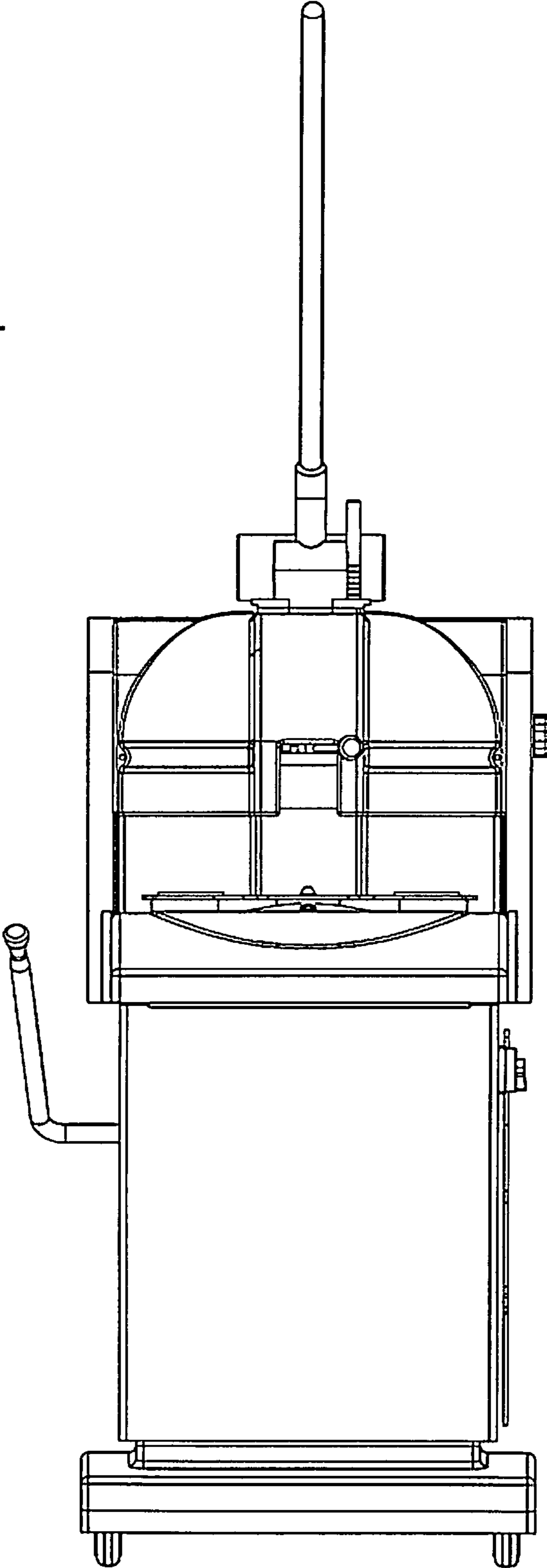


FIG. 2

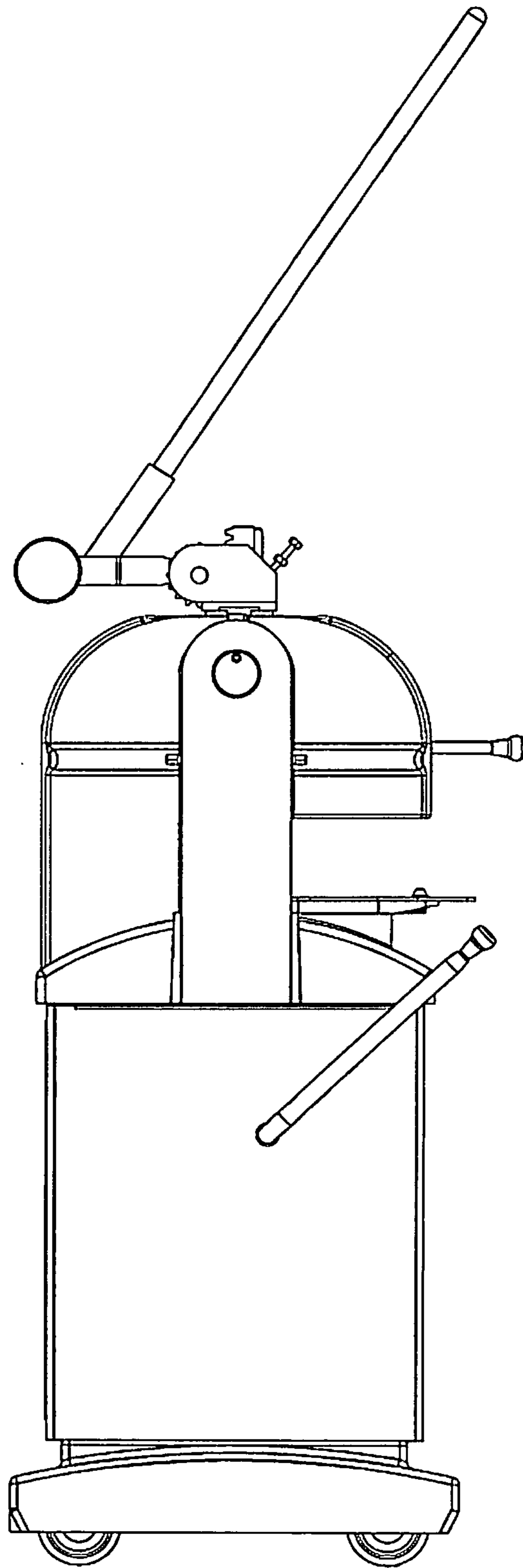


FIG. 3

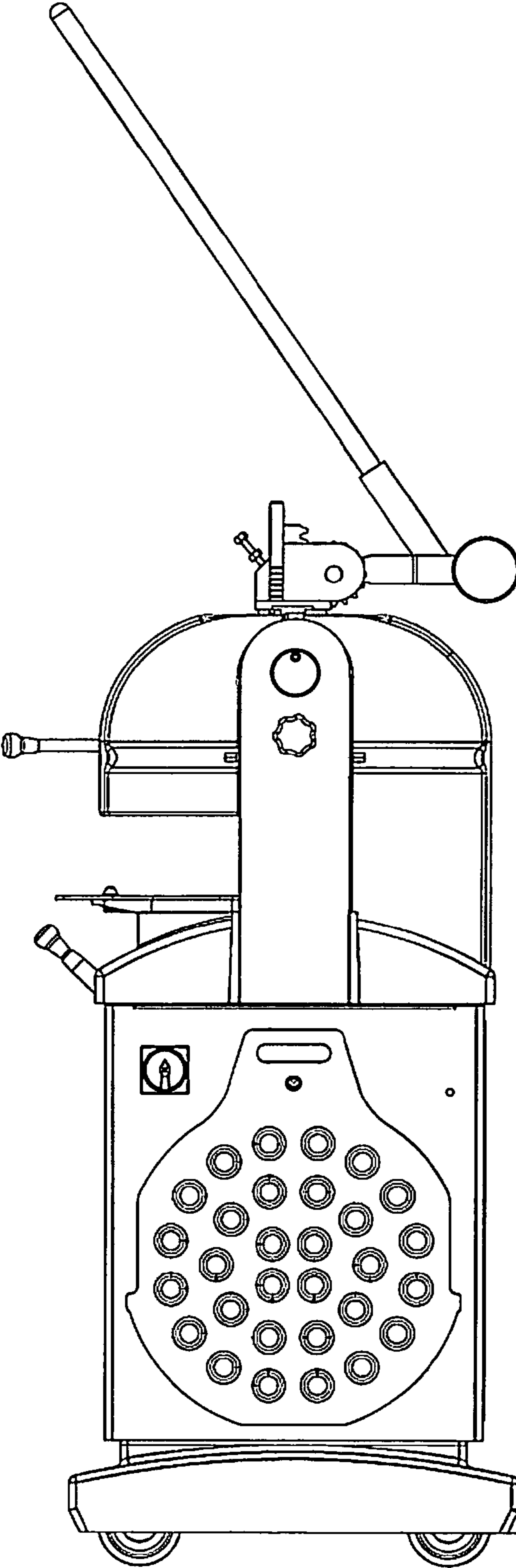


FIG. 4

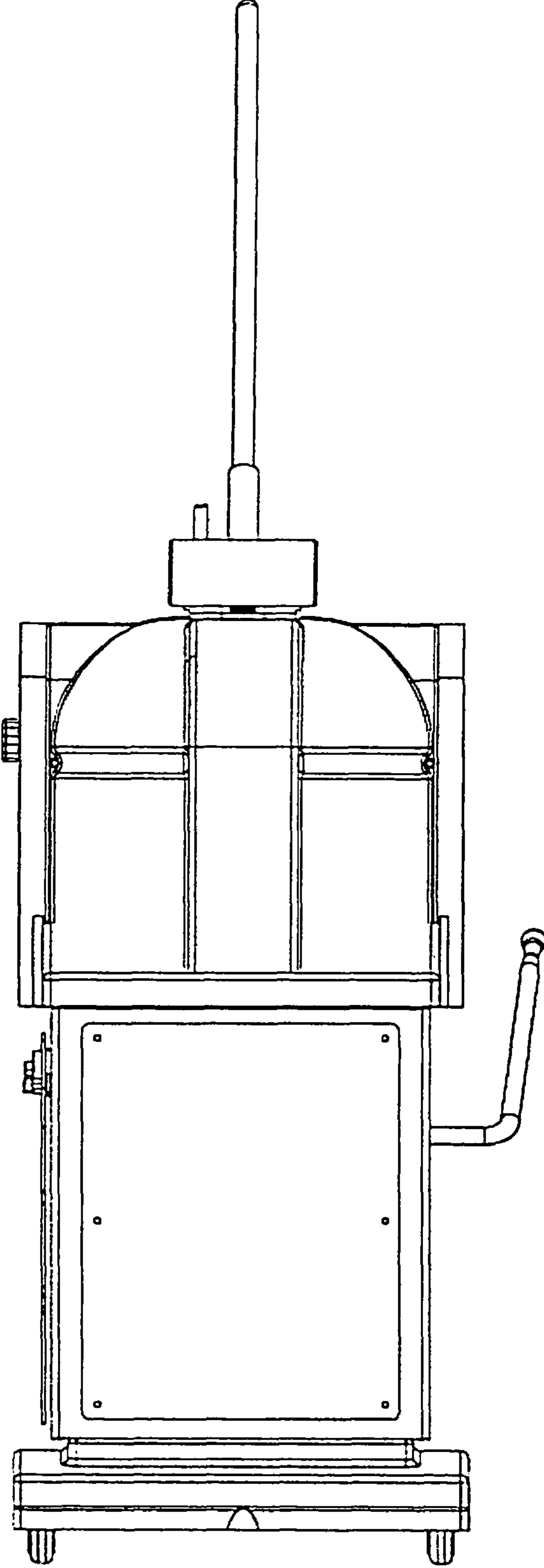


FIG. 5

