



US00D741105S

(12) **United States Design Patent**
Ryan

(10) **Patent No.:** **US D741,105 S**
(45) **Date of Patent:** **** Oct. 20, 2015**

- (54) **COLLAPSIBLE SCOOPING TRAY**
- (71) Applicant: **Cynthia Ryan**, San Diego, CA (US)
- (72) Inventor: **Cynthia Ryan**, San Diego, CA (US)
- (**) Term: **14 Years**
- (21) Appl. No.: **29/487,853**
- (22) Filed: **Apr. 12, 2014**
- (51) **LOC (10) Cl.** **07-02**
- (52) **U.S. Cl.**
USPC **D7/354**
- (58) **Field of Classification Search**
USPC D7/323, 354-361, 409, 543, 545, 549,
D7/550.1, 553.1-553.8, 554.1-554.4, 555,
D7/584, 586, 688, 698; D9/430-433,
D9/455-456, 737, 756-762; D14/432;
D19/92; D30/118
CPC A21B 3/00; A21B 3/003; A21B 3/13;
A21B 3/15; A21B 3/134; A21B 5/00; A21B
5/02; A47J 36/022; A47J 36/025; A47J
36/027; A47J 37/00; A47J 37/04; A47J 43/28;
A47J 43/284; B65D 1/22; B65D 1/24; B65D
1/34; B65D 1/36; B65D 81/343; B65D 85/36
See application file for complete search history.

- (56) **References Cited**
U.S. PATENT DOCUMENTS
D179,534 S * 1/1957 Bullock et al. D19/92
D260,907 S * 9/1981 Giulie et al. D19/92
D348,694 S * 7/1994 Evenson D19/92

- D391,687 S * 3/1998 McMahon D30/118
- D558,520 S * 1/2008 Raichlen et al. D7/409
- D598,024 S * 8/2009 Scott et al. D14/432
- D614,915 S * 5/2010 Schnitman et al. D7/409
- D632,925 S * 2/2011 Sasken-Duff D7/409
- D640,500 S * 6/2011 Button D7/362
- D641,210 S * 7/2011 Hamilton D7/554.3
- D654,300 S * 2/2012 Bradley et al. D7/354
- D655,989 S * 3/2012 Nelms D7/698
- D717,597 S * 11/2014 Henry D7/409

* cited by examiner

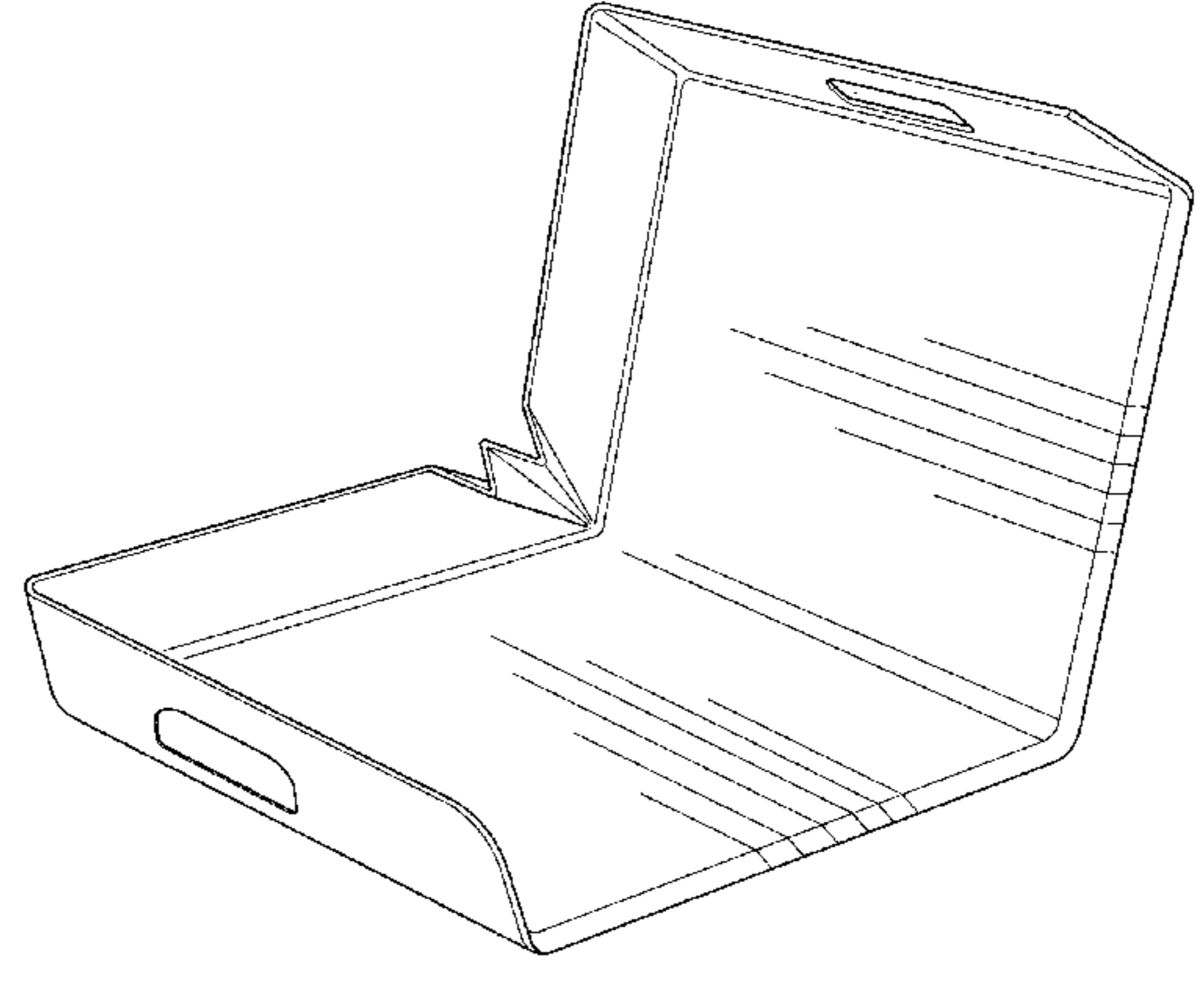
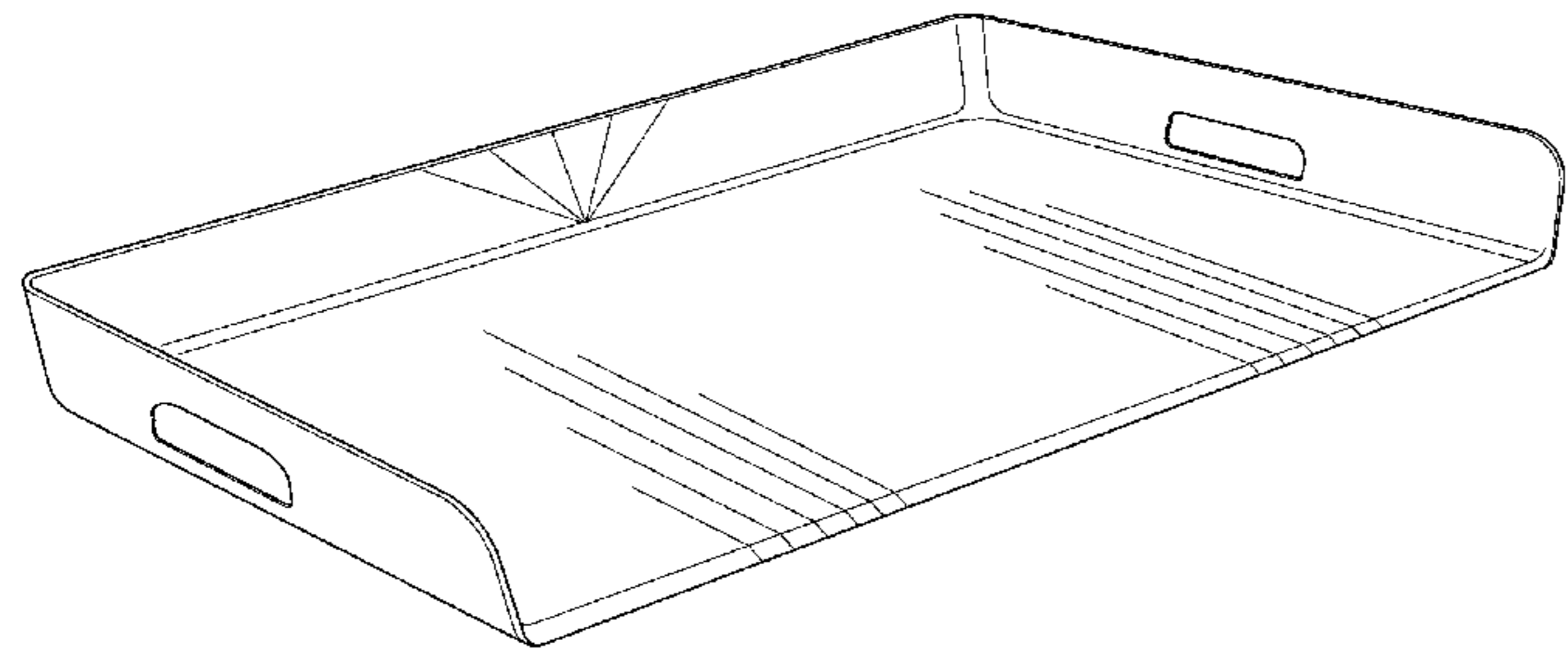
Primary Examiner — Ricky Pham
(74) *Attorney, Agent, or Firm* — Eric Hanscom; Todd J. Langford

(57) **CLAIM**
The ornamental design for a collapsible scooping tray, as shown and described.

DESCRIPTION

FIG. 1 is a perspective view of a collapsible scooping tray showing my new design in its open form;
FIG. 2 is a perspective view of a collapsible scooping tray showing my new design in its partially collapsed form;
FIG. 3 is a front view of a collapsible scooping tray showing my new design in its fully collapsed form;
FIG. 4 is a right-side view of a collapsible scooping tray showing my new design in its open form;
FIG. 5 is a back view of a collapsible scooping tray showing my new design in its open form; and,
FIG. 6 is a back view of a collapsible scooping tray showing my new design in its fully collapsed form.

1 Claim, 3 Drawing Sheets



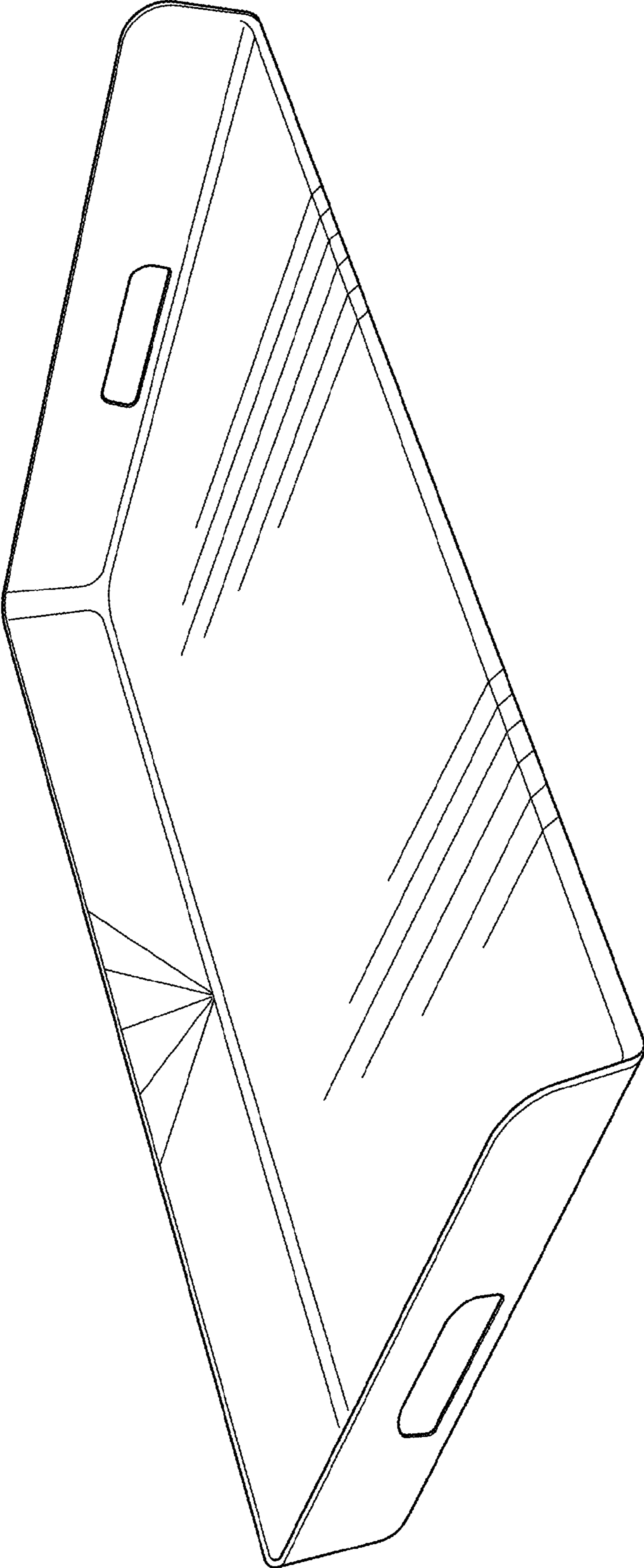


FIG. 1

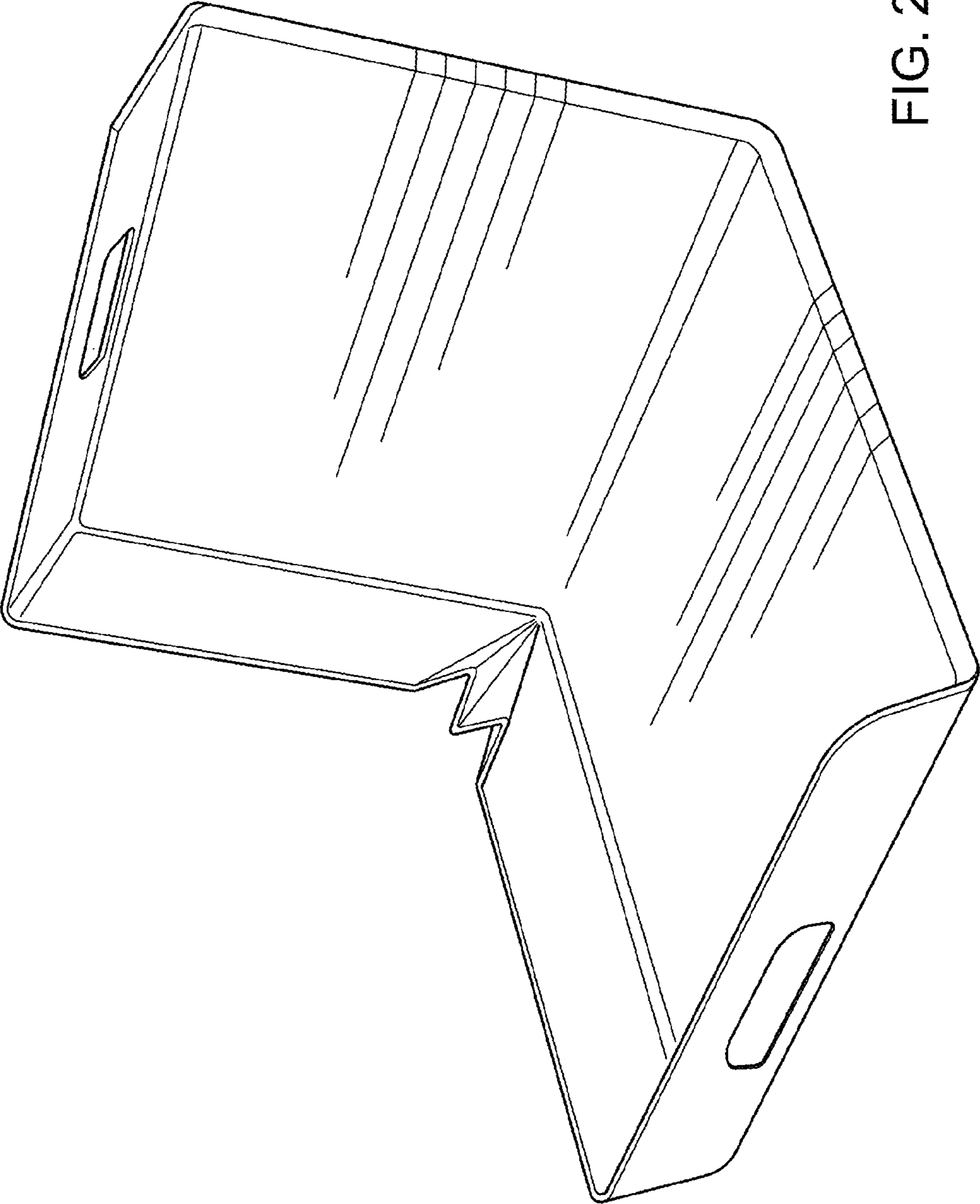


FIG. 2

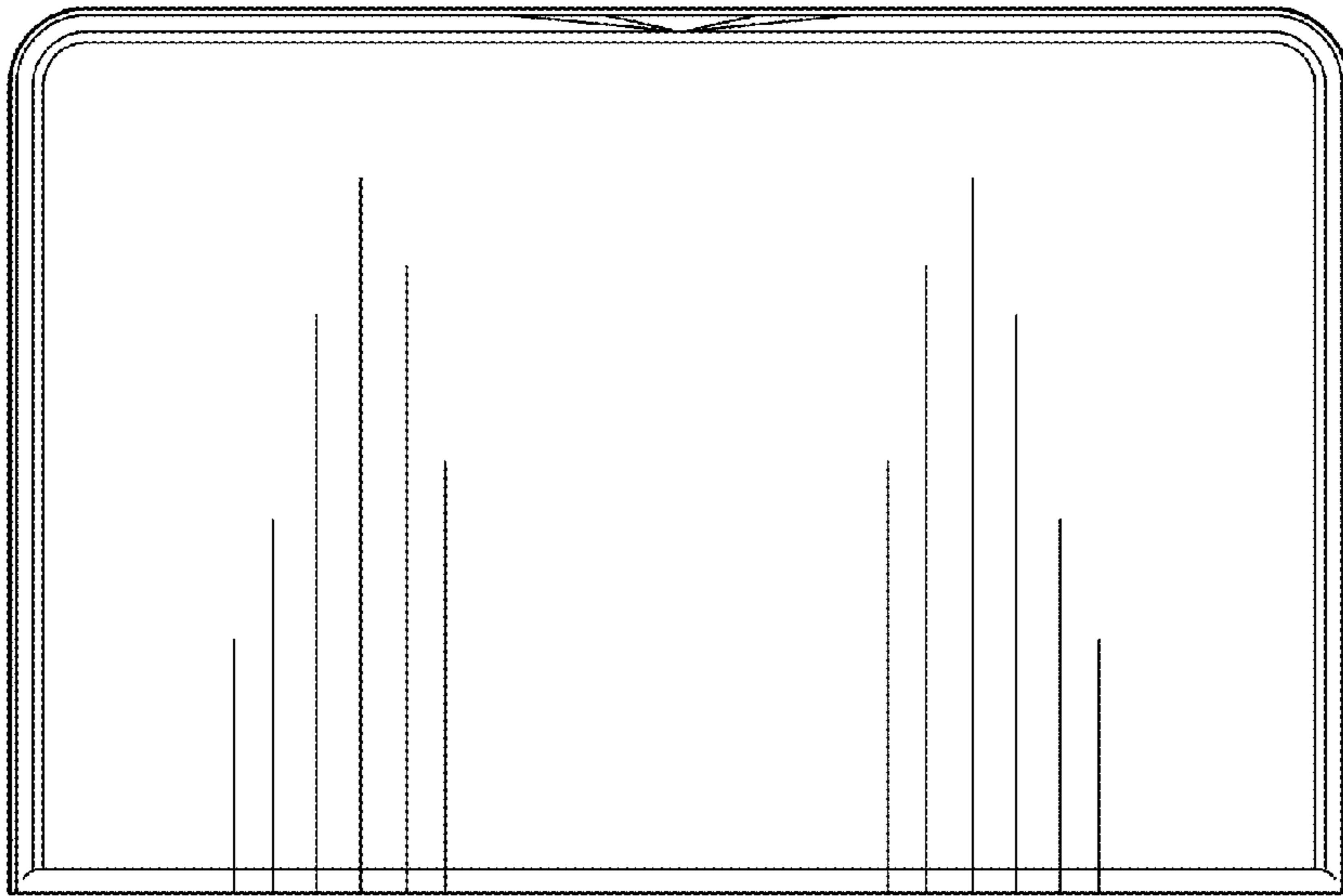


FIG. 3



FIG. 4

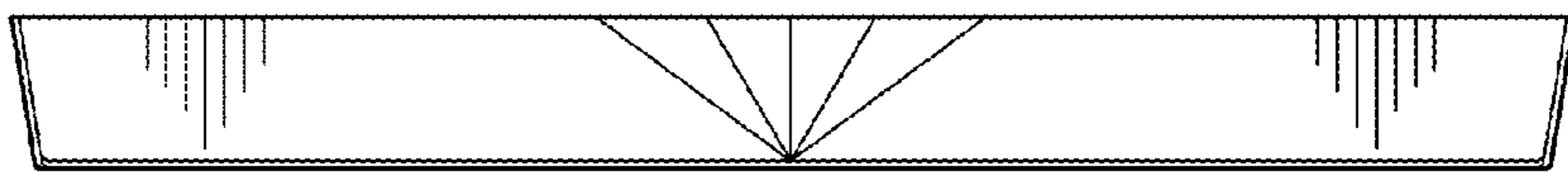


FIG. 5

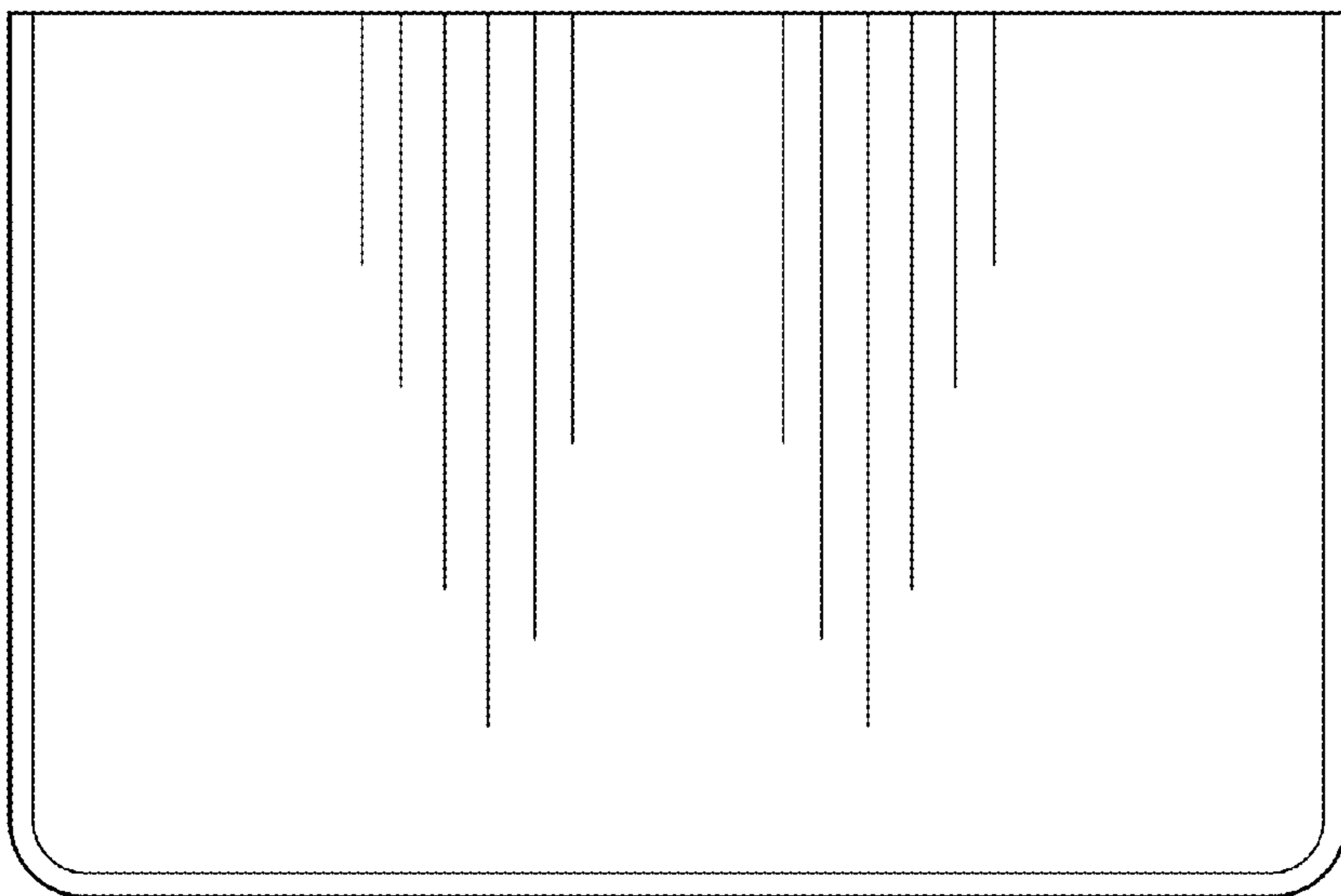


FIG. 6