



US00D741104S

(12) **United States Design Patent**
Funnell, II et al.

(10) **Patent No.:** **US D741,104 S**

(45) **Date of Patent:** **** *Oct. 20, 2015**

- (54) **OVEN**
- (71) Applicant: **BSH Home Appliances Corporation**, Irvine, CA (US)
- (72) Inventors: **Richard W. Funnell, II**, Huntington Beach, CA (US); **Andrew Roberson**, Long Beach, CA (US); **Graham Sadtler**, Huntington Beach, CA (US)
- (73) Assignee: **BSH Home Appliances Corporation**, Irvine, CA (US)

D538,581 S *	3/2007	Lee et al.	D7/340
D552,920 S *	10/2007	Chung et al.	D7/348
D580,698 S *	11/2008	Kim et al.	D7/348
D603,650 S *	11/2009	Yalcin et al.	D7/349
D604,988 S *	12/2009	Yalcin et al.	D7/349
D611,755 S *	3/2010	Yalcin et al.	D7/349
D611,756 S *	3/2010	Yalcin et al.	D7/349
D627,593 S *	11/2010	Lee et al.	D7/340
D646,112 S *	10/2011	Park et al.	D7/348
D646,113 S *	10/2011	Park et al.	D7/348
D664,388 S *	7/2012	Park et al.	D7/348
D710,646 S *	8/2014	Borjesson	D7/349
D724,889 S *	3/2015	Borjesson	D7/349

* cited by examiner

(*) Notice: This patent is subject to a terminal disclaimer.

Primary Examiner — Mitchell Siegel

(**) Term: **14 Years**

(74) *Attorney, Agent, or Firm* — James E. Howard; Andre Pallapies

(21) Appl. No.: **29/456,410**

(57) **CLAIM**

The ornamental design for an oven, as shown and described.

(22) Filed: **May 31, 2013**

DESCRIPTION

(51) **LOC (10) Cl.** **07-02**

(52) **U.S. Cl.**
USPC **D7/348**

(58) **Field of Classification Search**
USPC D7/339–349, 402–406
CPC F24C 7/00; F24C 7/002; F24C 7/043;
F24C 7/046; F24C 7/067; F24C 15/02;
F24C 15/04

See application file for complete search history.

FIG. 1 is a front perspective view of an oven showing an embodiment of our new ornamental design;
FIG. 2 a front view thereof;
FIG. 3 is a top view thereof;
FIG. 4 is a bottom view thereof; and,
FIG. 5 is a right side view thereof, with the left side view thereof being a minor image thereof.

The broken line showing of the oven is included for the purpose of illustration and forms no part of the claimed design.

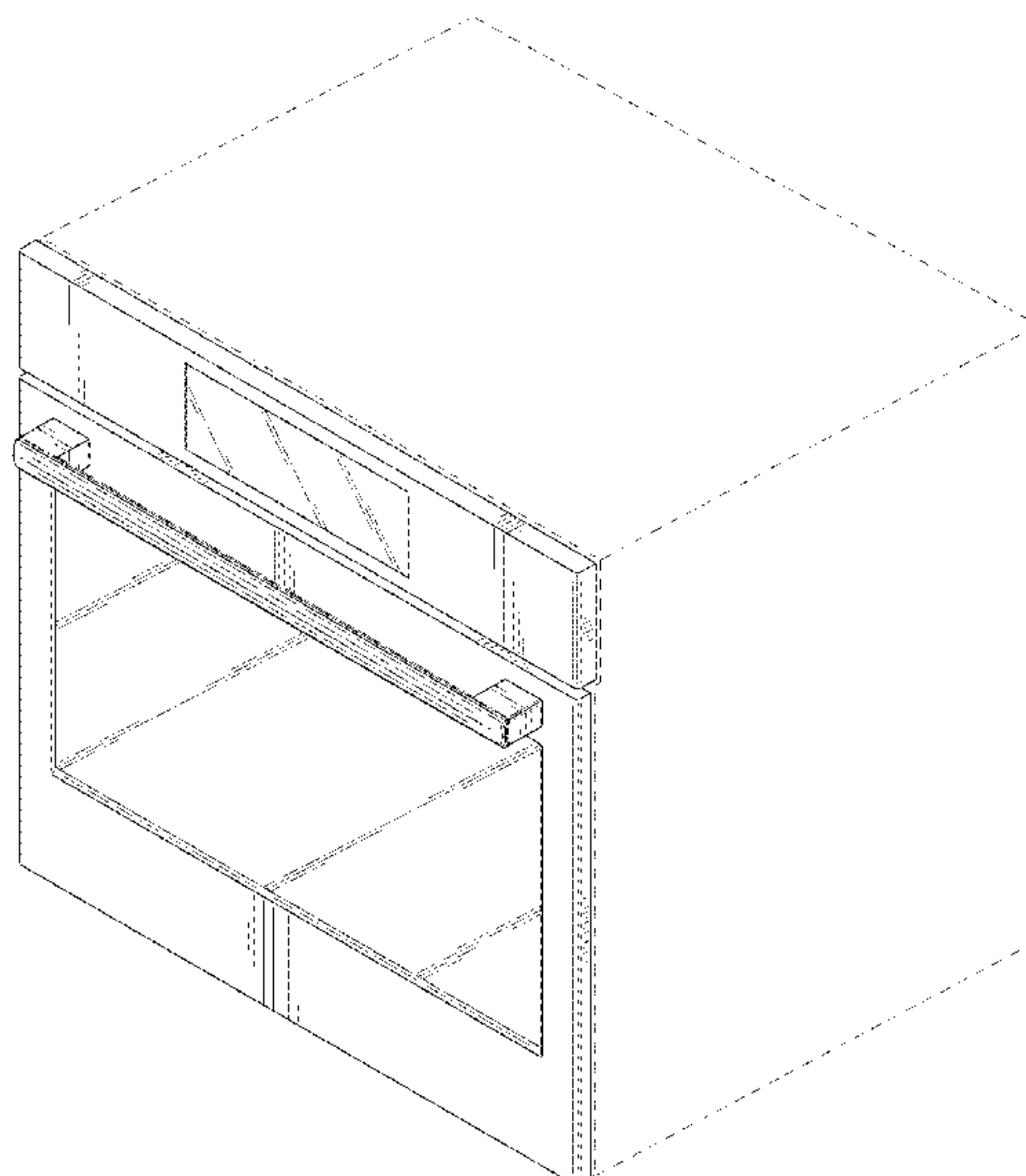
The sides of the claimed design not shown in the drawing or described in the specification form no part of the claimed design.

(56) **References Cited**

U.S. PATENT DOCUMENTS

D523,685 S *	6/2006	Jung et al.	D7/340
D526,527 S *	8/2006	Jung et al.	D7/348
D530,561 S *	10/2006	Kim	D7/351

1 Claim, 5 Drawing Sheets



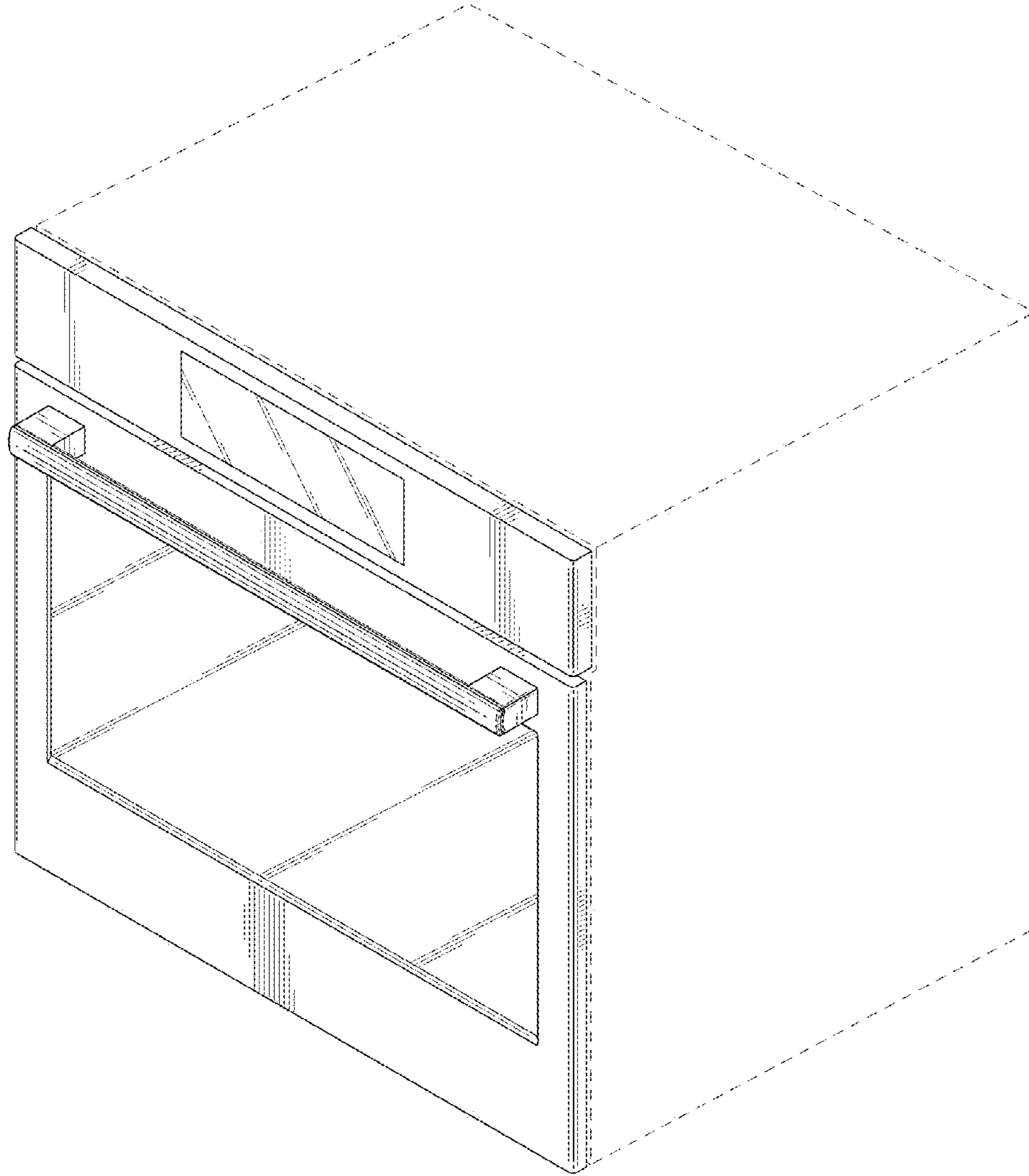


FIG. 1

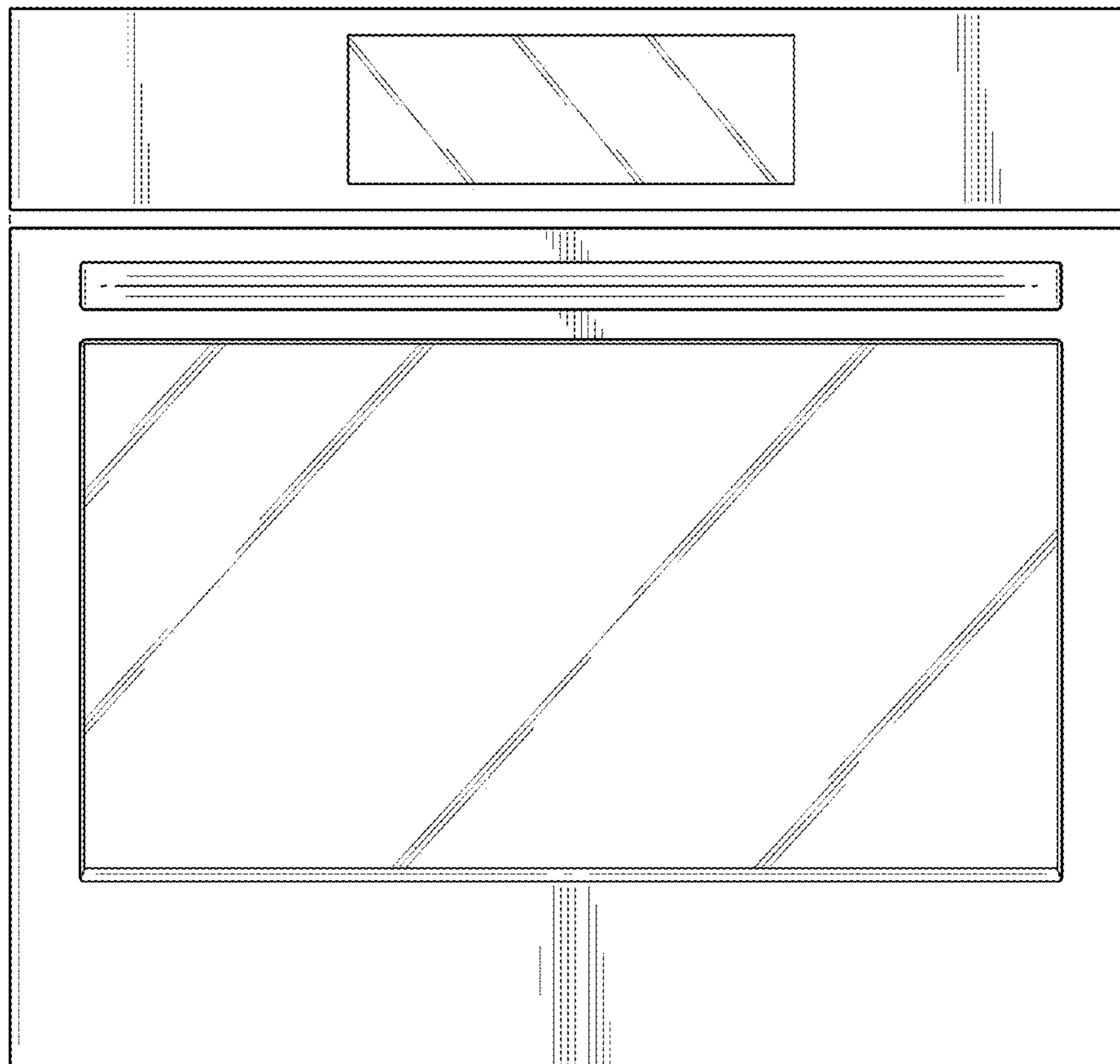


FIG. 2

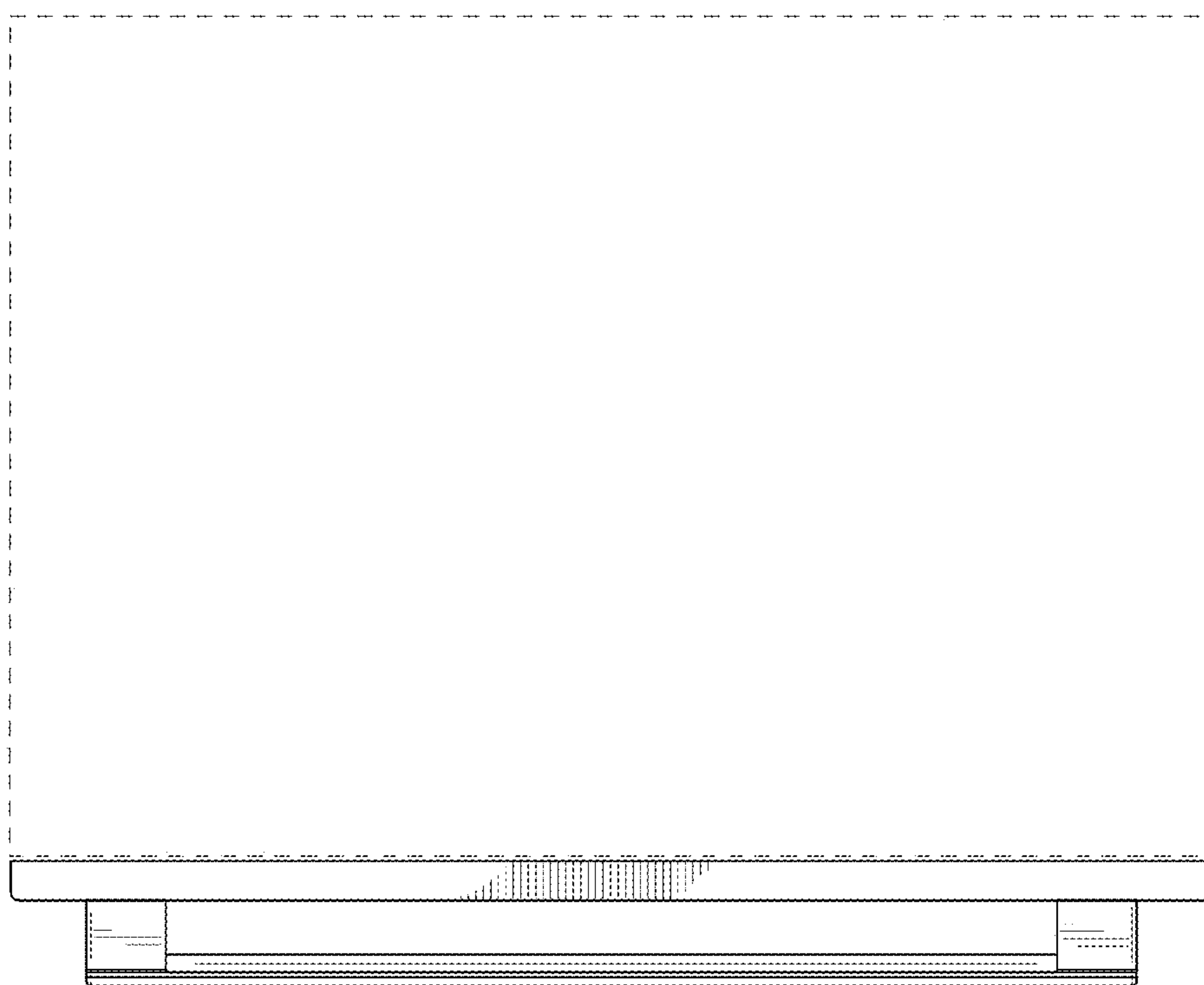


Fig. 3



Fig. 4

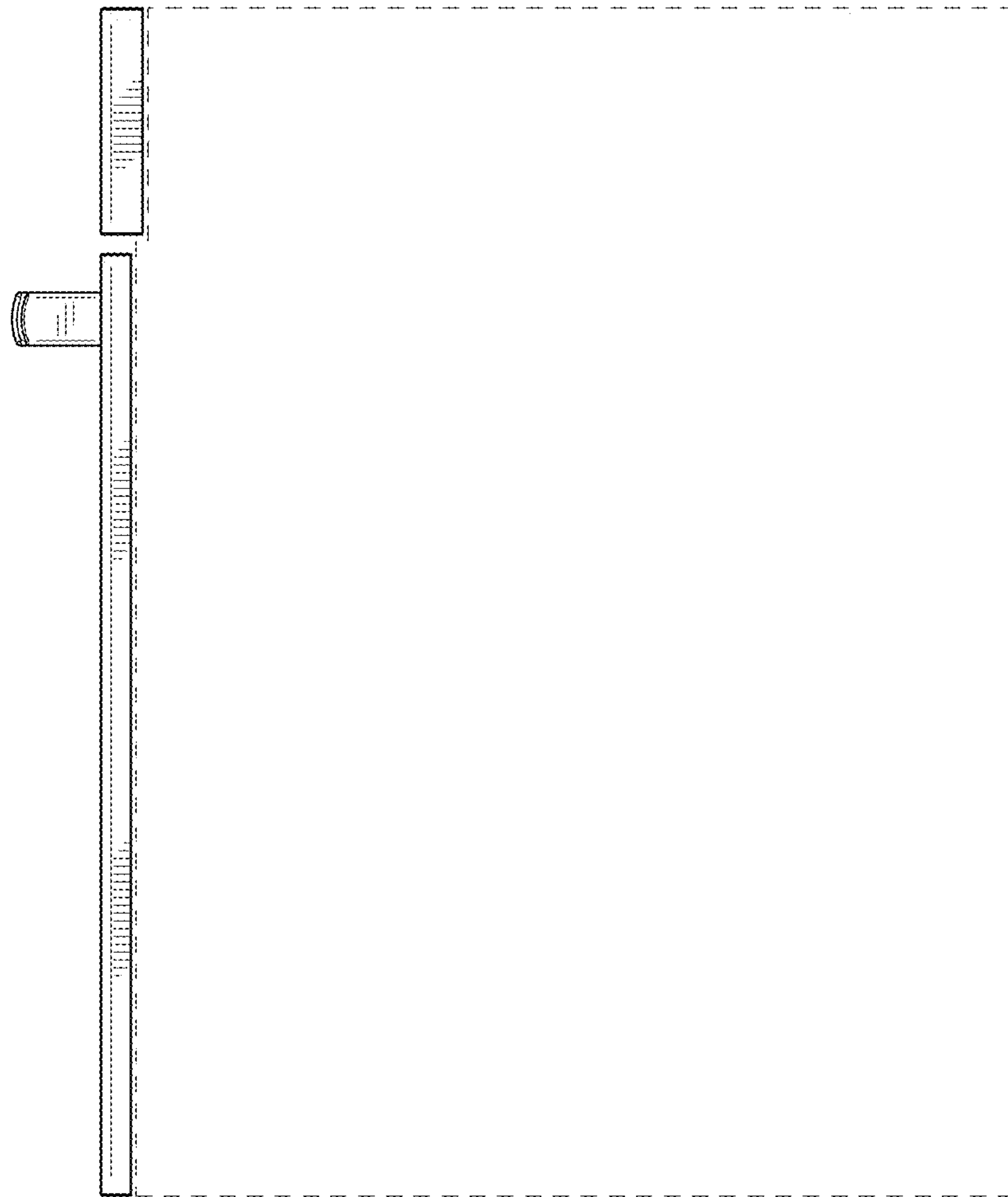


FIG. 5