



US00D741102S

(12) **United States Design Patent**
Glucksman et al.

(10) **Patent No.:** **US D741,102 S**
(45) **Date of Patent:** **** Oct. 20, 2015**

(54) **PORTABLE WARMING DEVICE FOR HOT BEVERAGE CONTAINERS**

(71) Applicant: **Maverick Industries, Inc.**, Edison, NJ (US)

(72) Inventors: **Dov Z. Glucksman**, Danvers, MA (US);
Laura J. Nickerson, Fitchburg, MA (US); **Randall Soule**, Reno, NV (US)

(73) Assignee: **Maverick Industries, Inc.**, Edison, NJ (US)

(**) Term: **14 Years**

(21) Appl. No.: **29/504,810**

(22) Filed: **Oct. 9, 2014**

(51) **LOC (10) Cl.** **07-02**

(52) **U.S. Cl.**
USPC **D7/323**

(58) **Field of Classification Search**
USPC D3/211; D7/323, 354–363, 391, D7/393–396, 409, 513, 532
CPC A47G 19/12; A47G 19/2272; A47J 27/00; A47J 27/002; A47J 27/08; A47J 27/21; A47J 27/58; A47J 36/025; A47J 36/06; A47J 36/12; A47J 37/00; A47J 37/10; A47J 37/101; A47J 37/103; A47J 37/12; A47J 37/1204; A47J 43/042; A47J 45/061; A47J 45/071; A47J 45/08; H05B 6/12; F25D 31/007

See application file for complete search history.

(56) **References Cited**

U.S. PATENT DOCUMENTS

| | | |
|-------------|---------|-----------|
| 1,414,494 A | 5/1922 | Amtfield |
| 2,419,416 A | 4/1947 | Mustain |
| 2,516,637 A | 7/1950 | McCollum |
| 2,863,037 A | 12/1958 | Johnstone |
| 4,095,090 A | 6/1978 | Pianezza |

| | | |
|--------------|---------|---------------|
| 4,463,664 A | 8/1984 | Peace |
| 4,801,782 A | 1/1989 | Ineson |
| 5,208,896 A | 5/1993 | Katayev |
| 5,283,420 A | 2/1994 | Montalto |
| 5,508,494 A | 4/1996 | Sarris et al. |
| D379,738 S | 6/1997 | Liming et al. |
| D386,948 S | 12/1997 | Wissinger |
| 6,037,570 A | 3/2000 | Noles |
| 6,072,161 A | 6/2000 | Stein |
| 6,075,229 A | 6/2000 | Vanselow |
| 6,121,585 A | 9/2000 | Dam |
| 6,140,614 A | 10/2000 | Padamsee |
| 6,192,787 B1 | 2/2001 | Montalto |
| 6,403,928 B1 | 6/2002 | Ford |
| 6,511,031 B2 | 1/2003 | Lin |

(Continued)

Primary Examiner — Ricky Pham

(74) *Attorney, Agent, or Firm* — Doherty IP Law Group LLC

(57) **CLAIM**

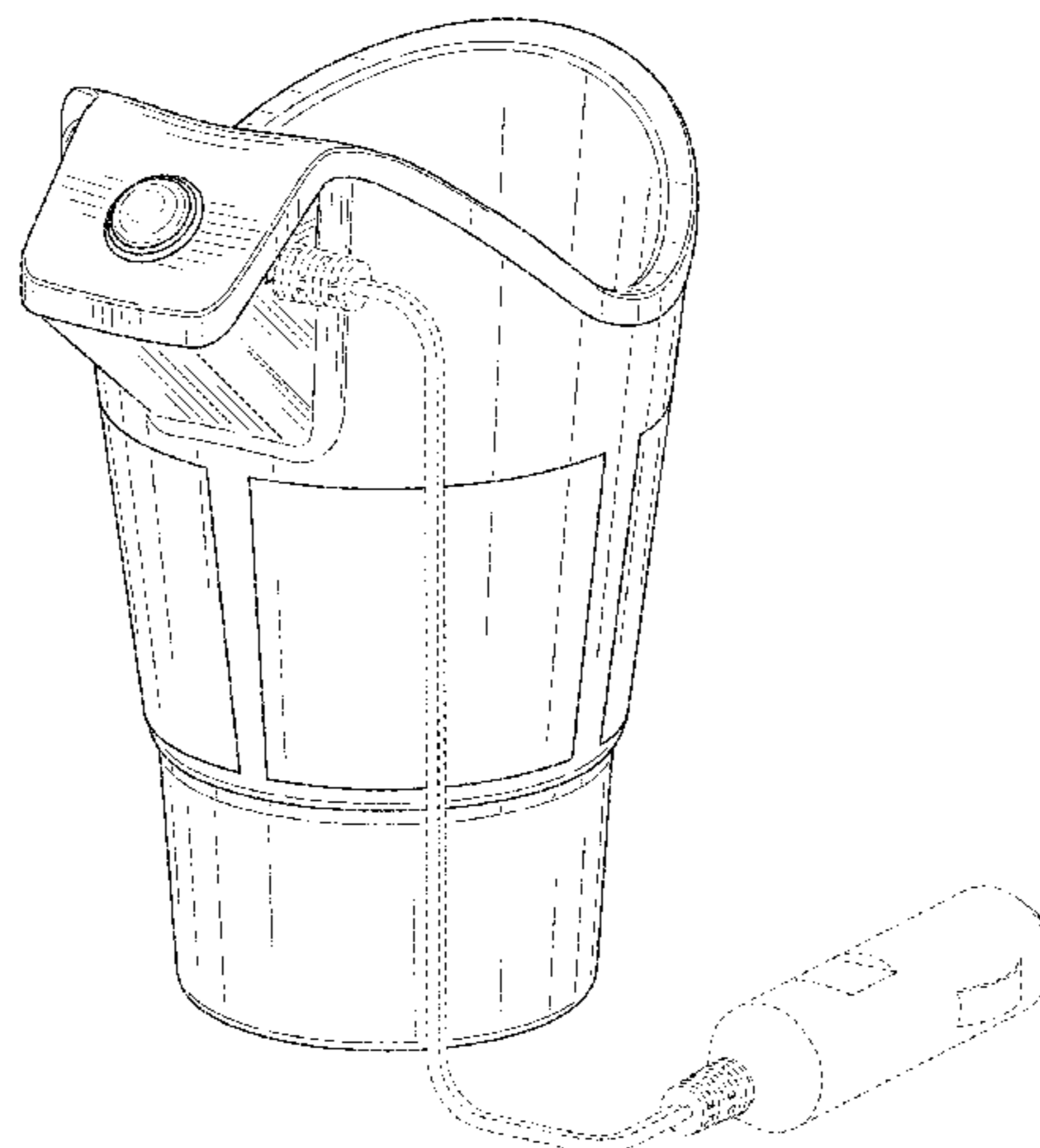
The ornamental design for a portable warming device for hot beverage containers, as shown and described.

DESCRIPTION

FIG. 1 is a perspective view of a portable warming device for hot beverage containers, showing our new design; FIG. 2 is a front elevation view of the portable warming device for hot beverage containers shown in FIG. 1; FIG. 3 is a rear elevation view of the portable warming device for hot beverage containers shown in FIG. 1; FIG. 4 is a right side view of the portable warming device for hot beverage containers shown in FIG. 1; FIG. 5 is a left side view of the portable warming device for hot beverage containers shown in FIG. 1; FIG. 6 is a top plan view of the portable warming device for hot beverage containers shown in FIG. 1; and, FIG. 7 is a bottom view of the portable warming device for hot beverage containers shown in FIG. 1.

The broken lines in the drawings form no part of the claimed design for a portable warming device for hot beverage containers.

1 Claim, 7 Drawing Sheets



(56)

References Cited

U.S. PATENT DOCUMENTS

| | | | | | | | |
|----------------|---------|-----------------------|------------------------|-----------------|---------|----------------|-------------------------|
| 6,530,232 B1 * | 3/2003 | Kitchens | F25D 31/007 62/3.2 | D655,573 S * | 3/2012 | O'Connor | D7/509 |
| D473,104 S | 4/2003 | Salesman-Loken et al. | | D658,922 S | 5/2012 | Fallon et al. | |
| D480,601 S * | 10/2003 | Pettaweebuncha | D7/509 | 8,274,016 B2 | 9/2012 | Montana | |
| 6,674,052 B1 | 1/2004 | Luo | | D687,254 S | 8/2013 | Soule | |
| 6,703,590 B1 | 3/2004 | Holley, Jr. | | 8,590,731 B2 * | 11/2013 | Pinelli | A47G 19/2272 220/715 |
| 6,852,954 B1 | 2/2005 | Liu et al. | | D721,887 S * | 2/2015 | Romley | D3/211 |
| 6,864,462 B2 | 3/2005 | Sanoner et al. | | D732,343 S * | 6/2015 | Romley | D7/532 |
| 6,870,135 B2 | 3/2005 | Hamm et al. | | 2002/0023912 A1 | 2/2002 | McGee et al. | |
| 7,022,946 B2 | 4/2006 | Sanoner et al. | | 2002/0175158 A1 | 11/2002 | Sanoner et al. | |
| D570,159 S | 6/2008 | McGill | | 2004/0140304 A1 | 7/2004 | Leyendecker | |
| 7,717,613 B1 * | 5/2010 | Epps | A47J 43/042 366/205 | 2006/0186297 A1 | 8/2006 | Lore, Sr. | |
| | | | | 2009/0038317 A1 | 2/2009 | Otey | |
| | | | | 2010/0089901 A1 | 4/2010 | Montana | |
| | | | | 2013/0098893 A1 | 4/2013 | Soule | |
| | | | | 2013/0306617 A1 | 11/2013 | Soule | |

* cited by examiner

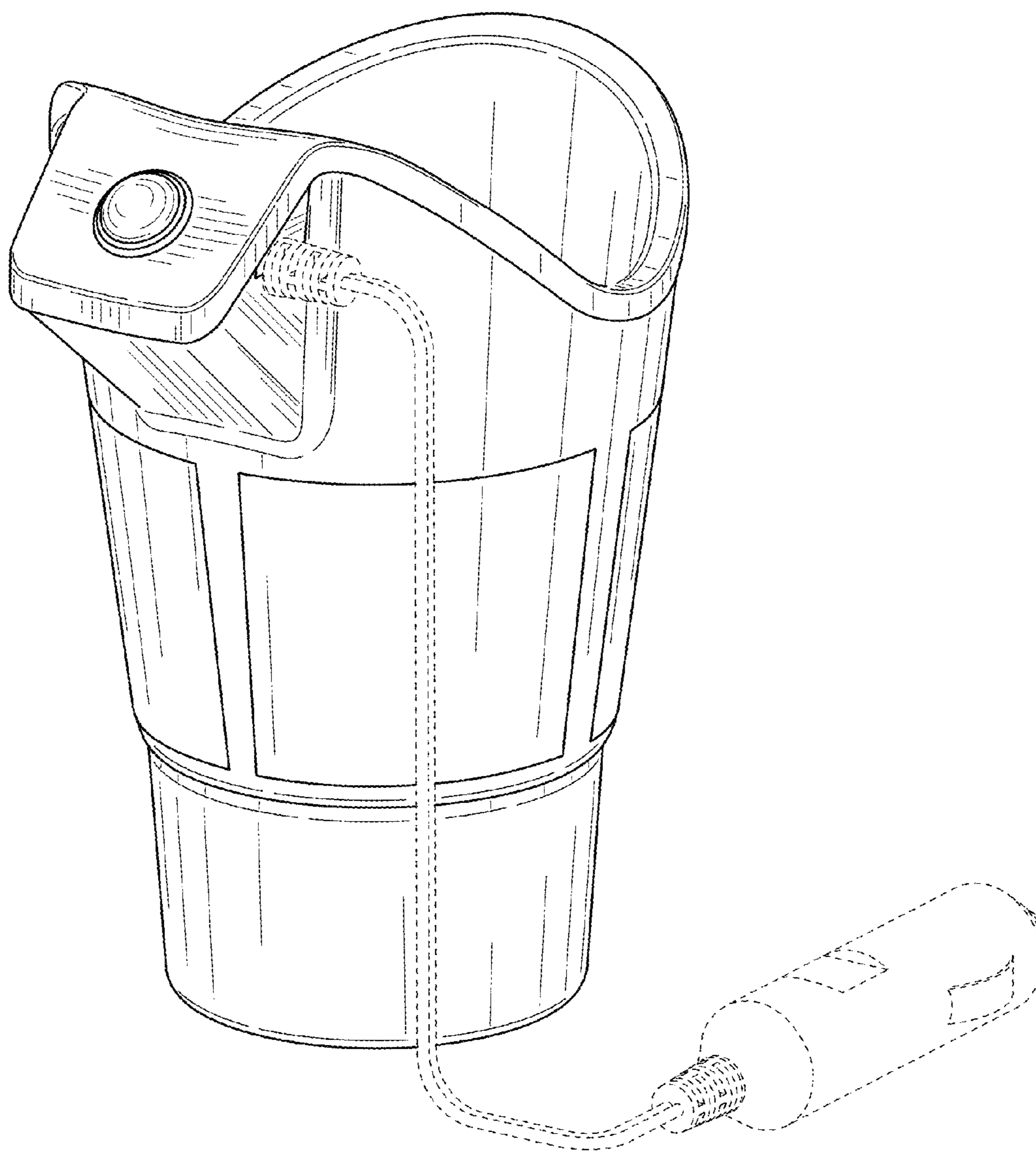


FIG. 1

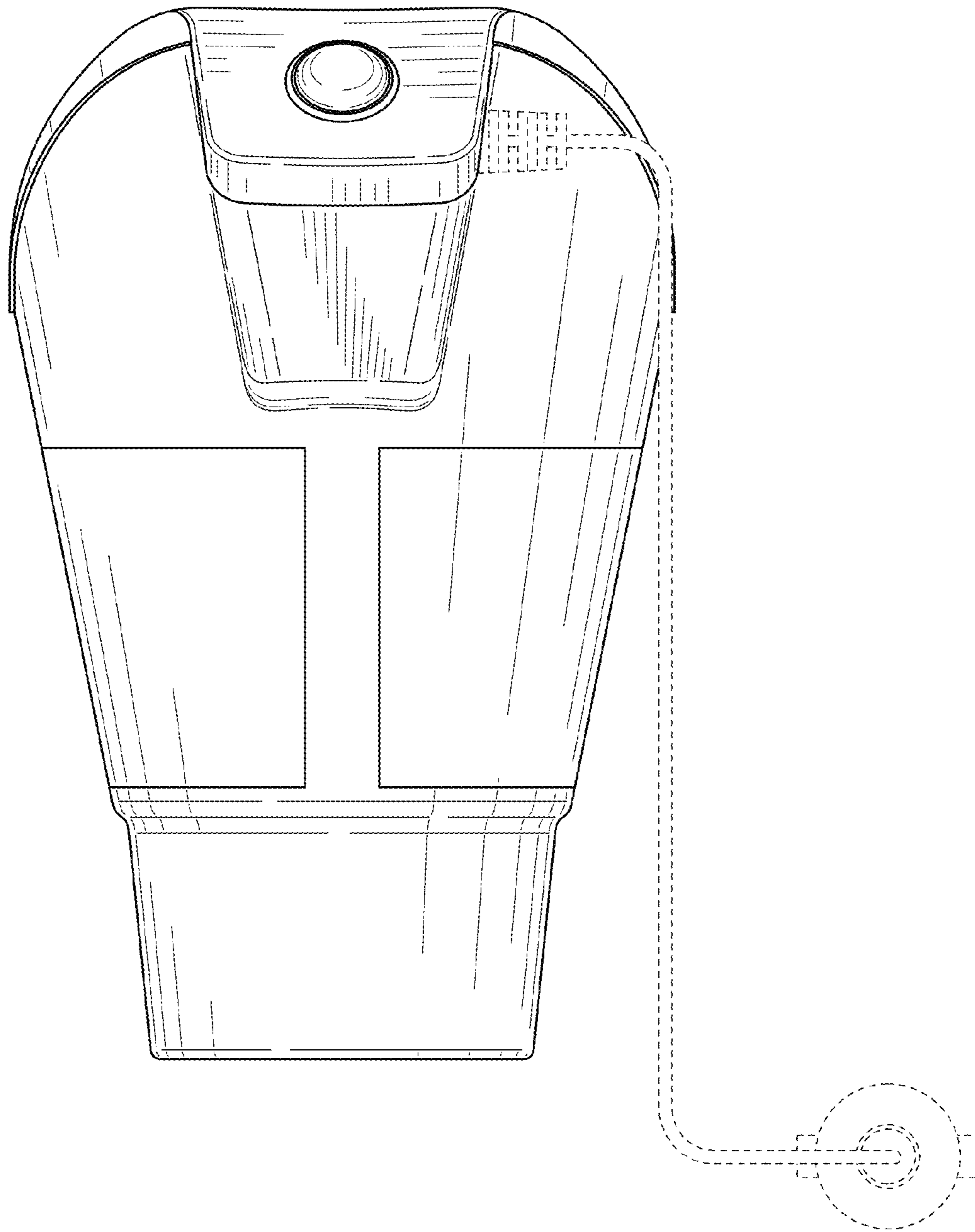


FIG. 2

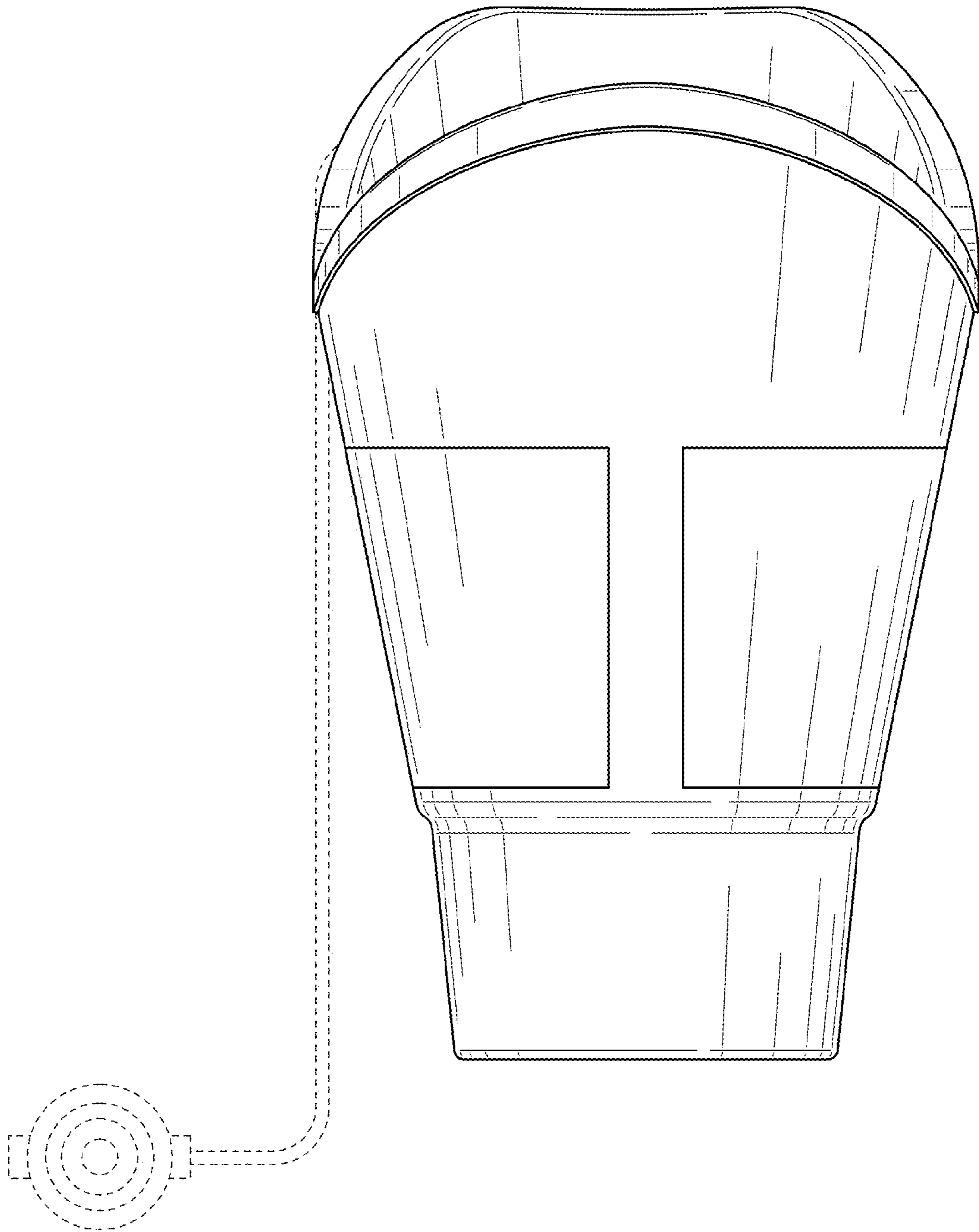


FIG. 3

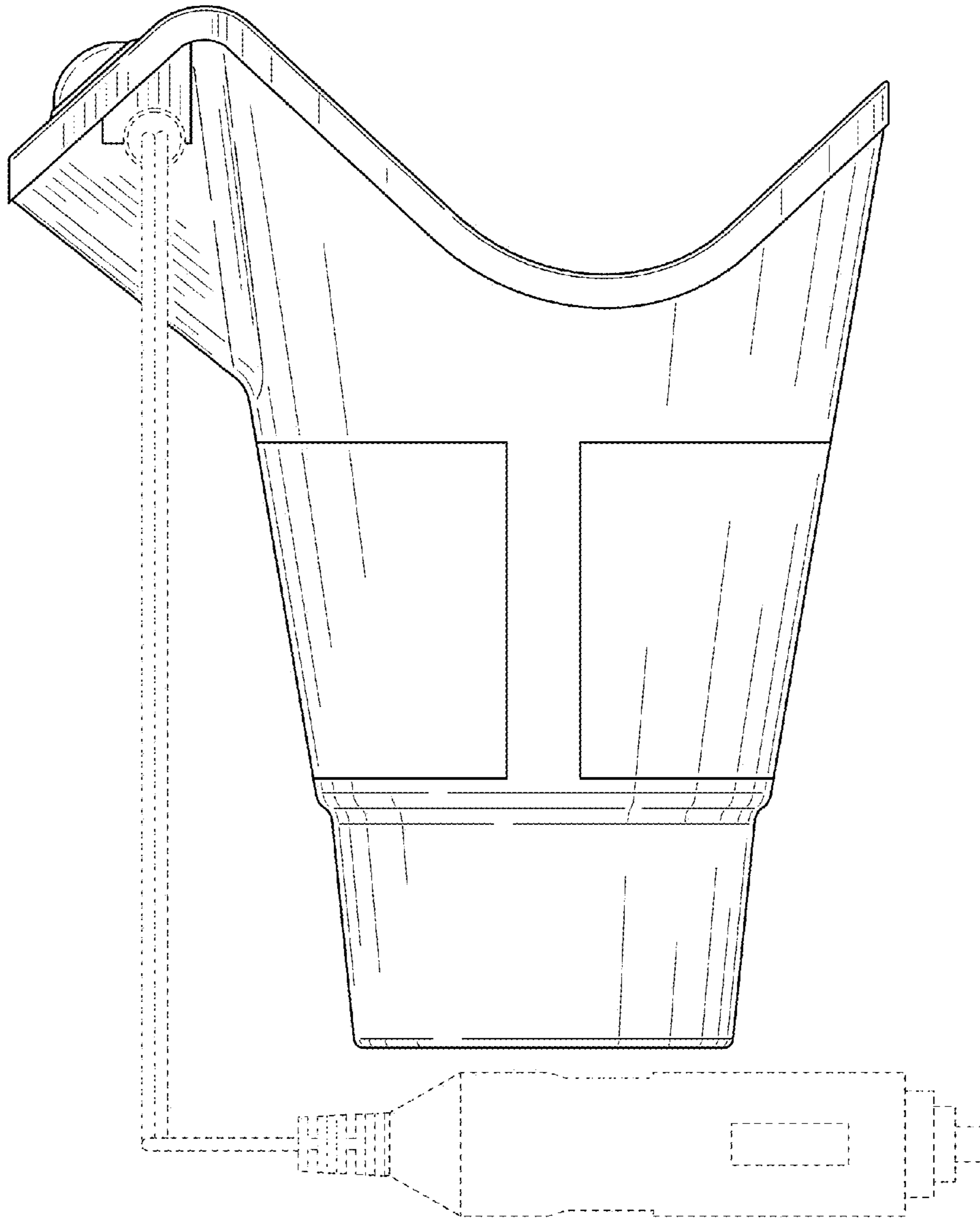


FIG. 4

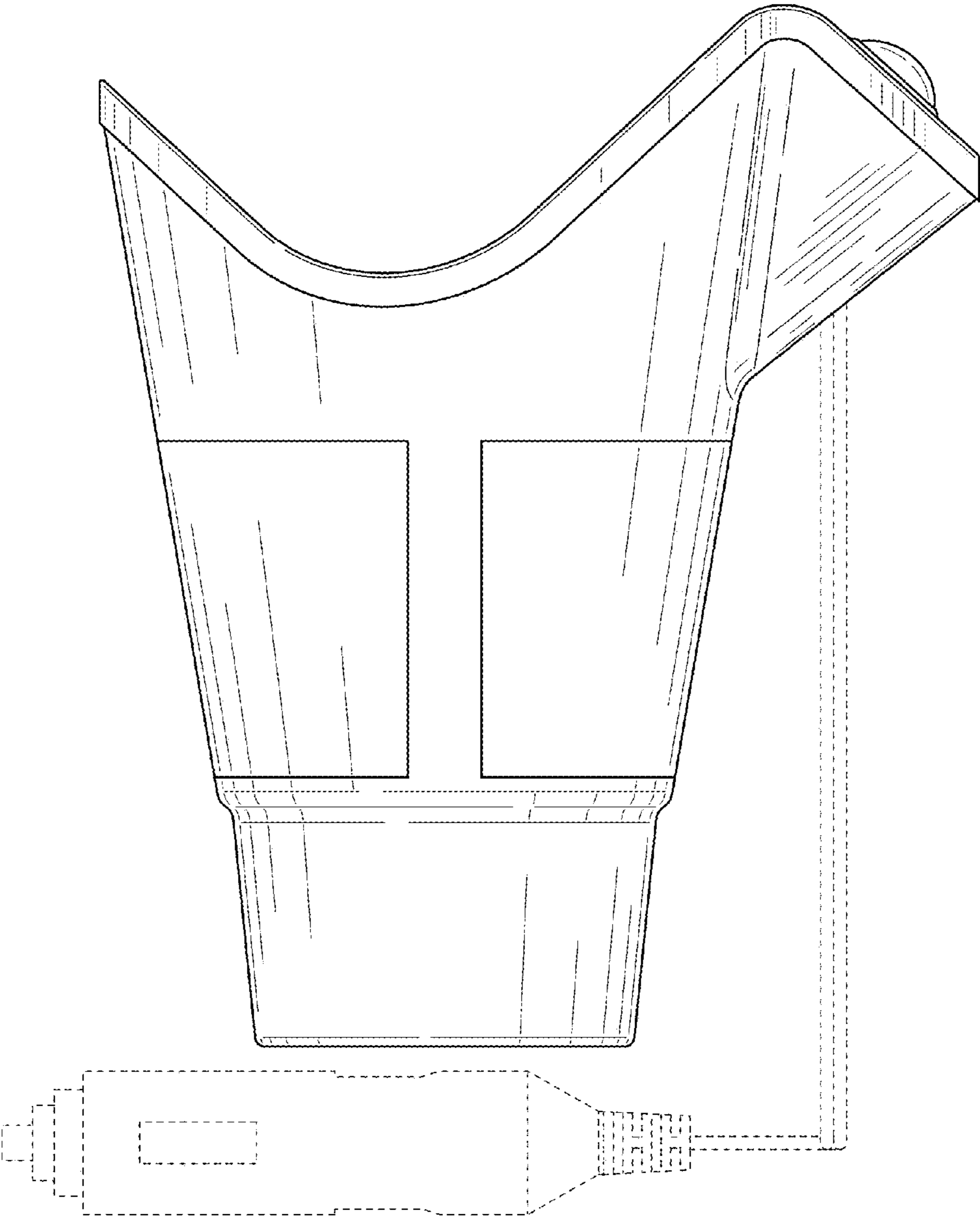


FIG. 5

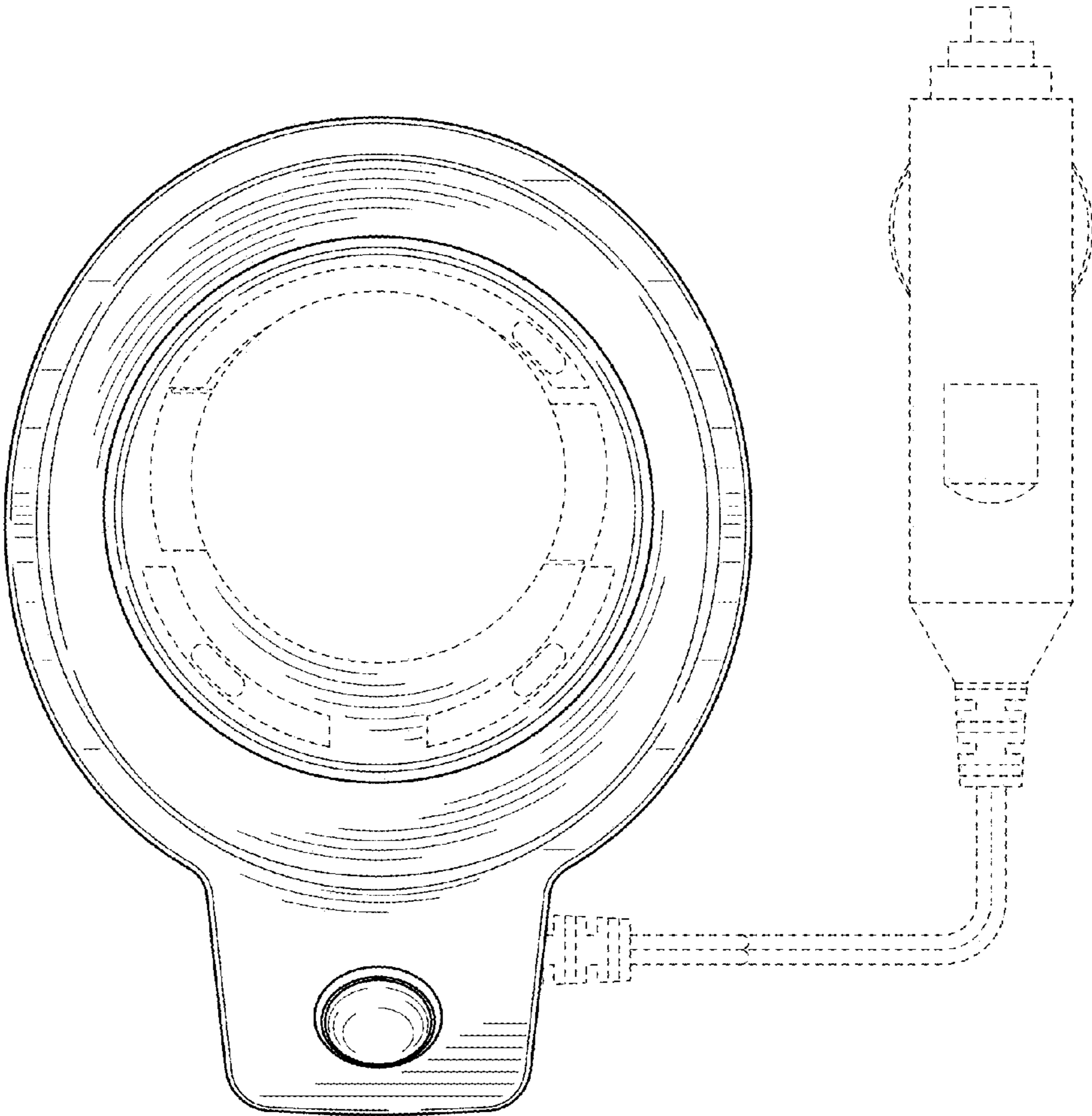


FIG. 6

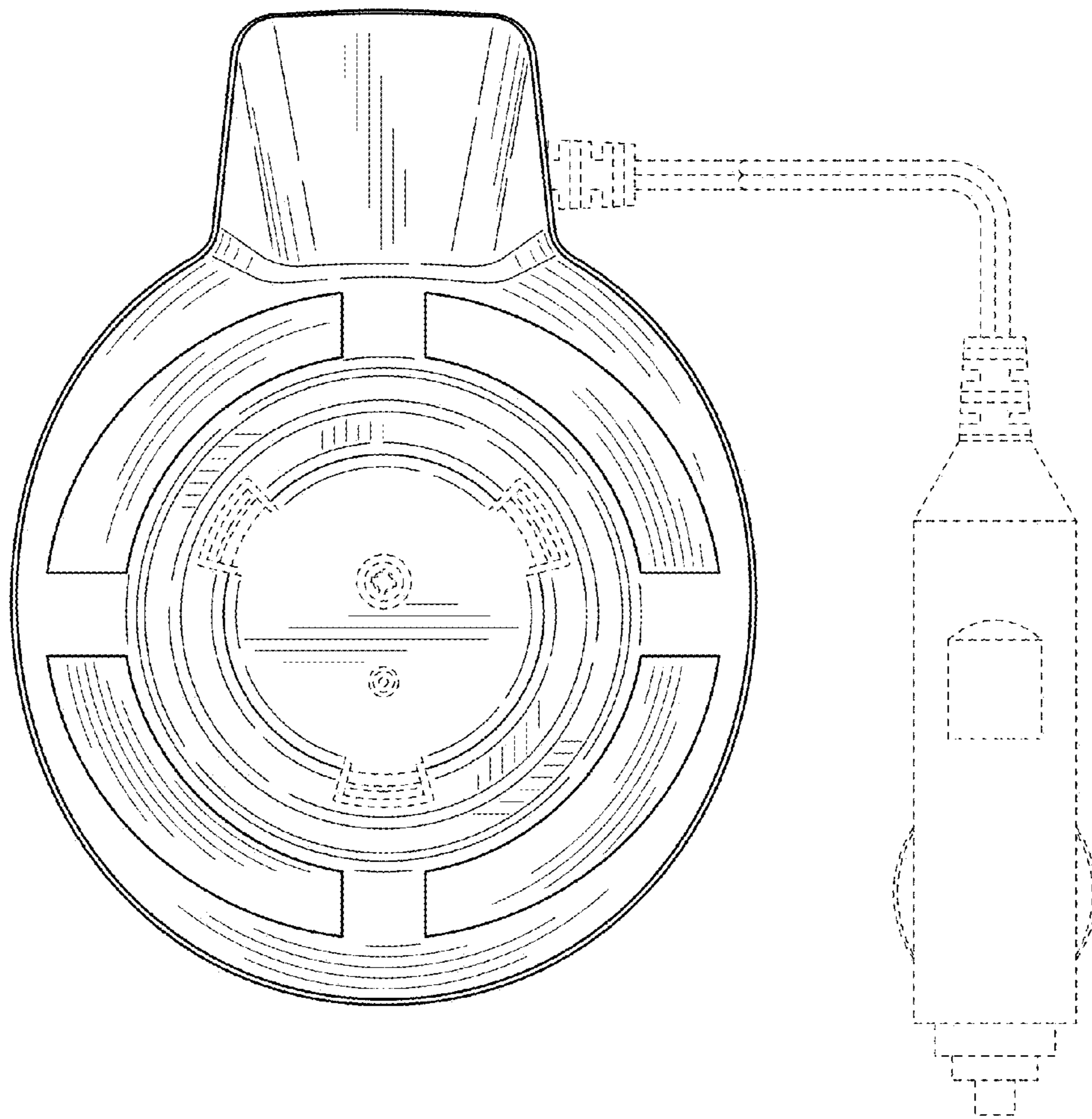


FIG. 7