



US00D741099S

(12) **United States Design Patent**
Igarashi et al.

(10) **Patent No.:** **US D741,099 S**

(45) **Date of Patent:** **** Oct. 20, 2015**

(54) **CHAIR**

(71) Applicant: **OKAMURA CORPORATION**,
Yokohama-shi, Kanagawa (JP)

(72) Inventors: **Ryou Igarashi**, Yokohama (JP); **Shinpei Totsuka**, Yokohama (JP)

(73) Assignee: **Okamura Corporation**, Kanagawa (JP)

(**) Term: **14 Years**

(21) Appl. No.: **29/485,315**

(22) Filed: **Mar. 18, 2014**

(30) **Foreign Application Priority Data**

Sep. 26, 2013 (JP) 2013-022350

(51) **LOC (10) Cl.** **06-01**

(52) **U.S. Cl.**
USPC **D6/716.4**

(58) **Field of Classification Search**
USPC D6/334-336, 364, 365, 366, 369, 379,
D6/380, 716, 716.1, 716.2, 716.4
CPC A47C 4/02; A47C 4/03; A47C 7/40;
A47C 7/285; A47C 7/282
See application file for complete search history.

(56) **References Cited**

U.S. PATENT DOCUMENTS

D471,042 S * 3/2003 Schmitz et al. D6/716.4
D494,792 S * 8/2004 Schmitz et al. D6/716.4

D558,995 S * 1/2008 Igarashi D6/366
D567,521 S * 4/2008 Igarashi D6/366
D580,689 S * 11/2008 Su D6/716.4
D581,708 S * 12/2008 Su D6/716.4
D587,915 S * 3/2009 Igarashi D6/366
D627,983 S * 11/2010 Wakasugi et al. D6/366
D641,561 S * 7/2011 Tsai D6/366
8,172,332 B2 * 5/2012 Masunaga et al. A47C 7/282
D669,713 S * 10/2012 Hsieh D6/716.4
D677,068 S * 3/2013 Chen D6/366
D686,441 S * 7/2013 Xingchang D6/716.4

* cited by examiner

Primary Examiner — Mimoso De

(74) *Attorney, Agent, or Firm* — Sughrue Mion, PLLC

(57) **CLAIM**

The ornamental design for a chair, as shown and described.

DESCRIPTION

FIG. 1 is a perspective view from the front side of a chair.
FIG. 2 is a perspective view from the rear side thereof.
FIG. 3 is a front elevation view thereof.
FIG. 4 is a rear elevation view thereof.
FIG. 5 is a right side elevation view thereof.
FIG. 6 is a left side elevation view thereof.
FIG. 7 is a top plan view thereof; and,
FIG. 8 is a bottom plan view thereof.
The portions of the chair shown in broken lines are for the purpose of showing environmental structure only and form no part of the claimed design.

1 Claim, 8 Drawing Sheets

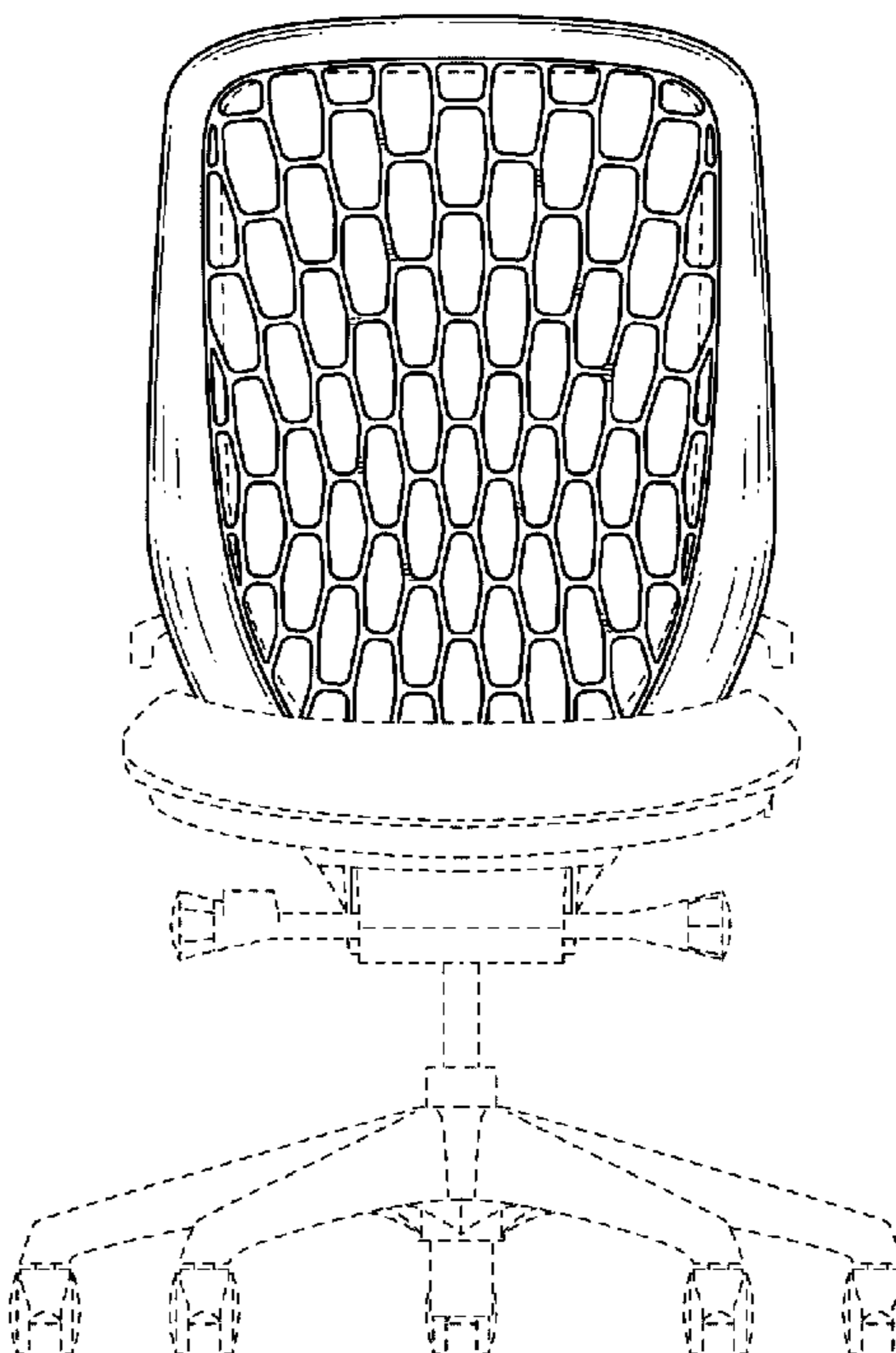
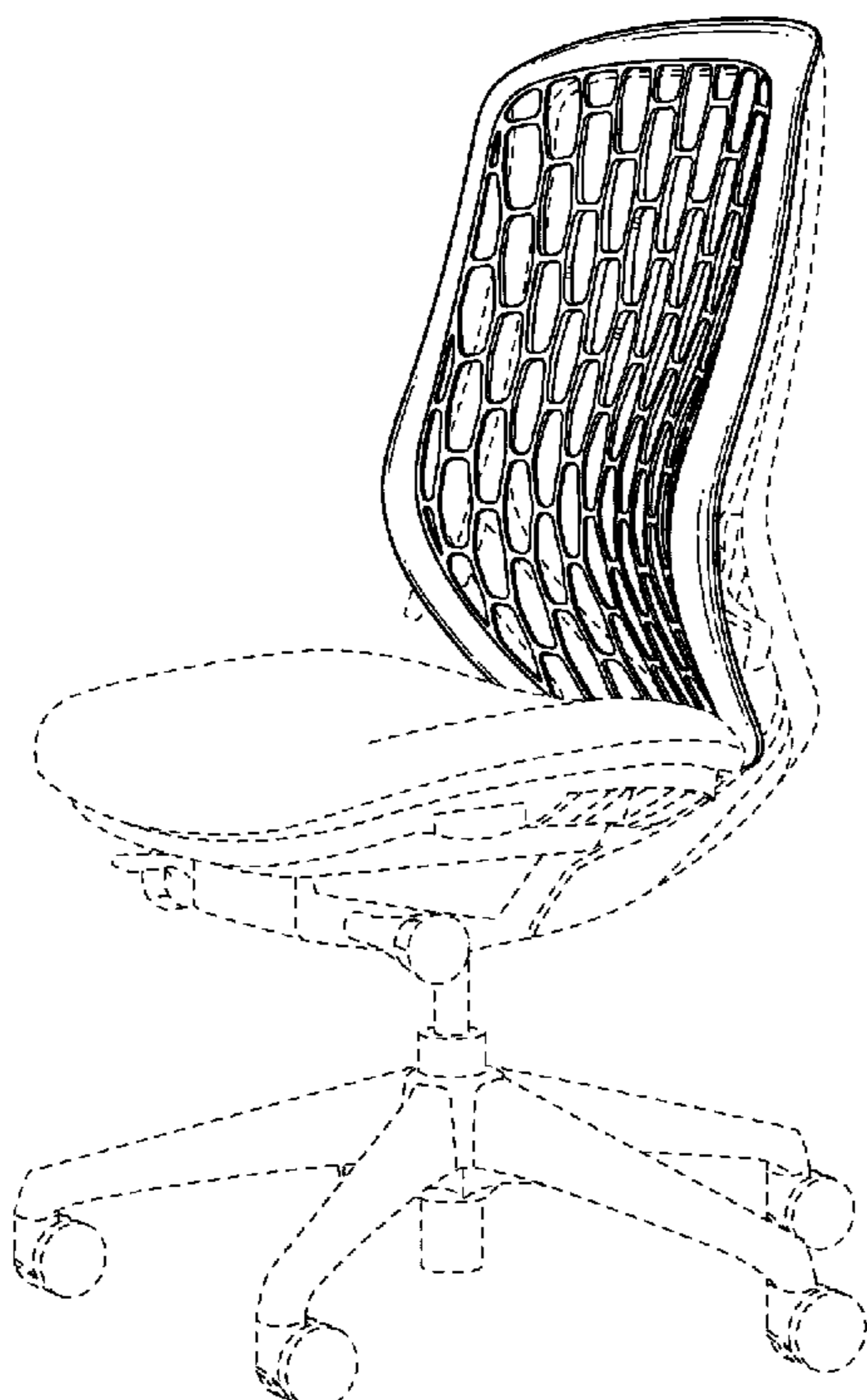


FIG. 1

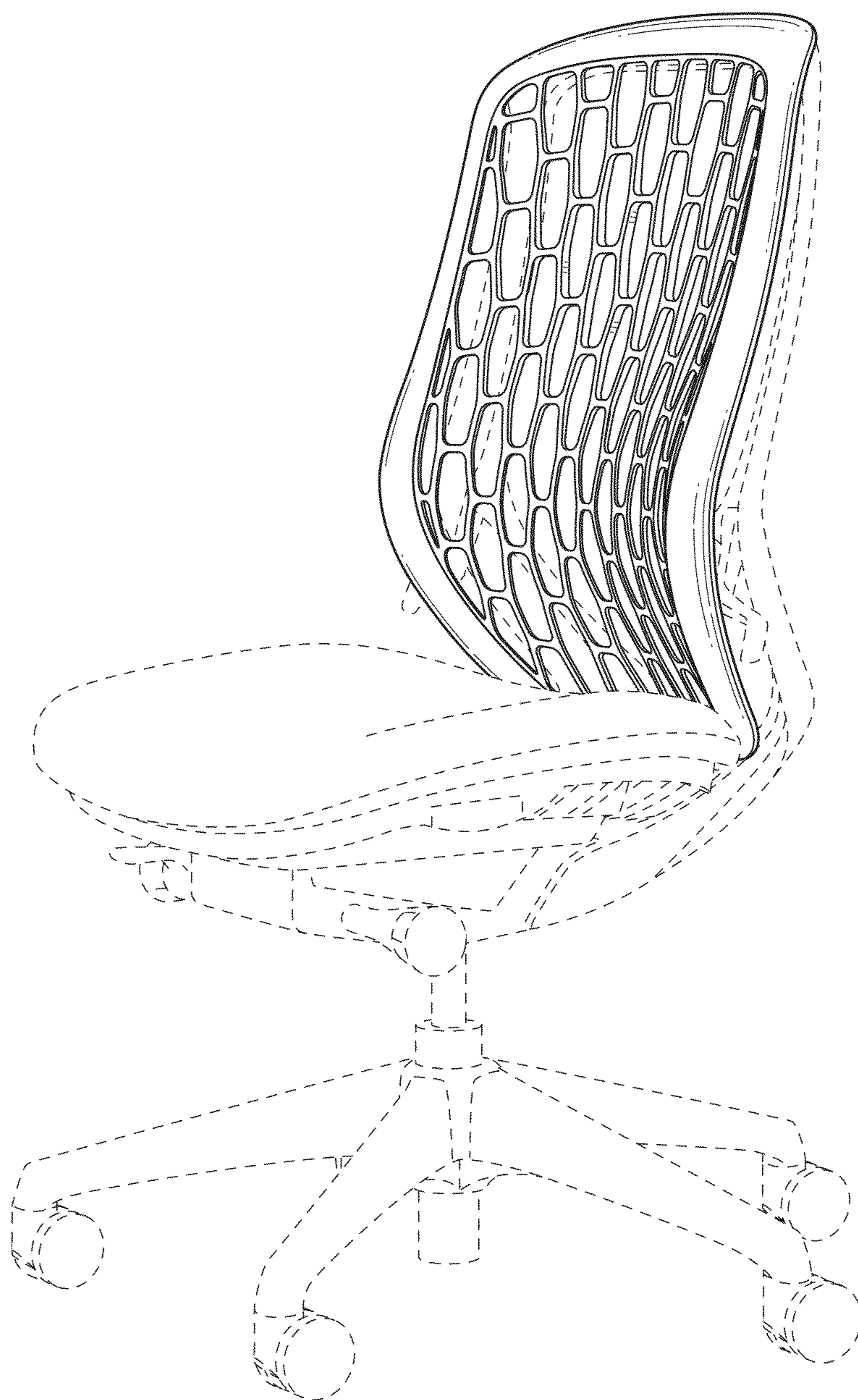


FIG. 2

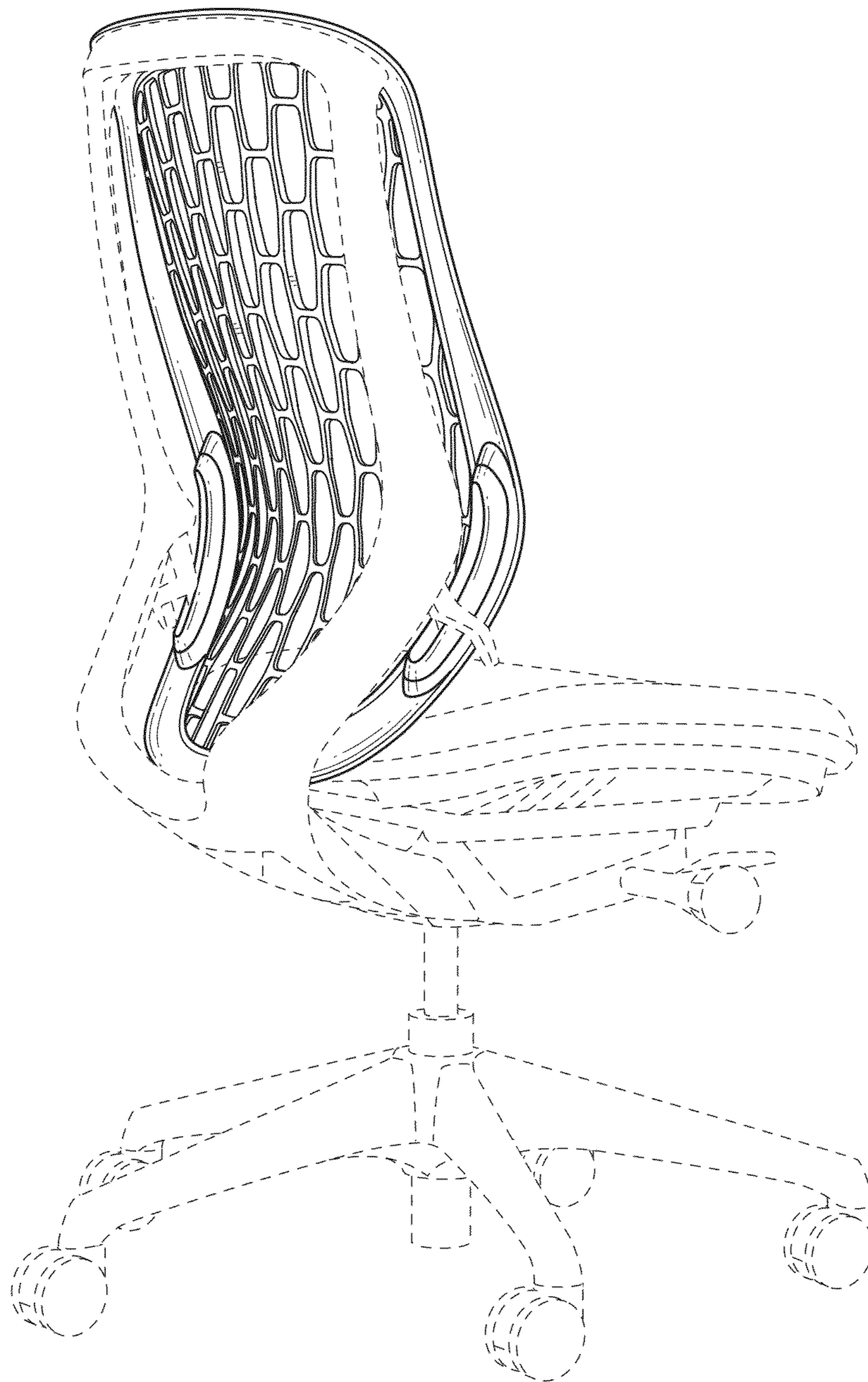


FIG. 3

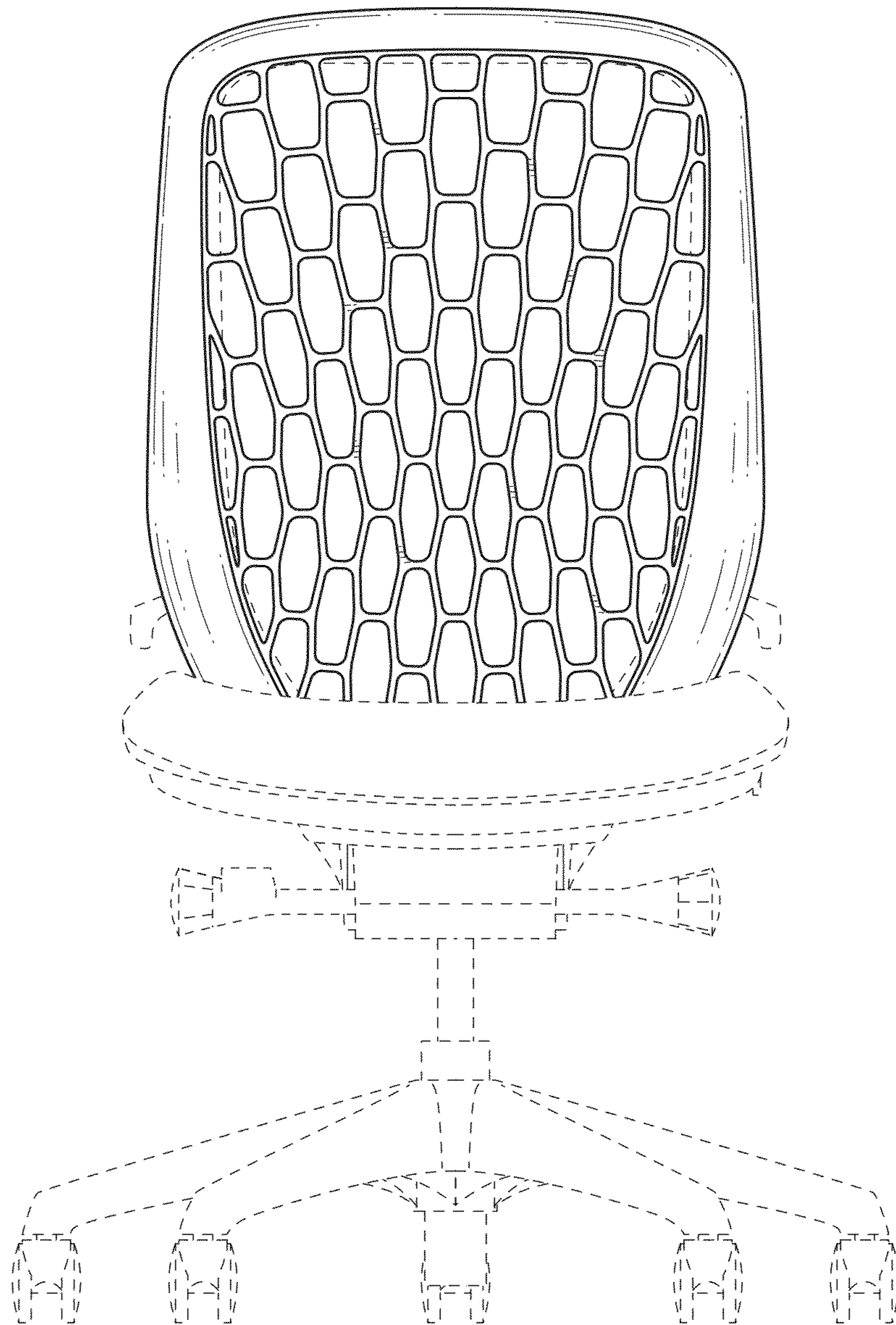


FIG. 4

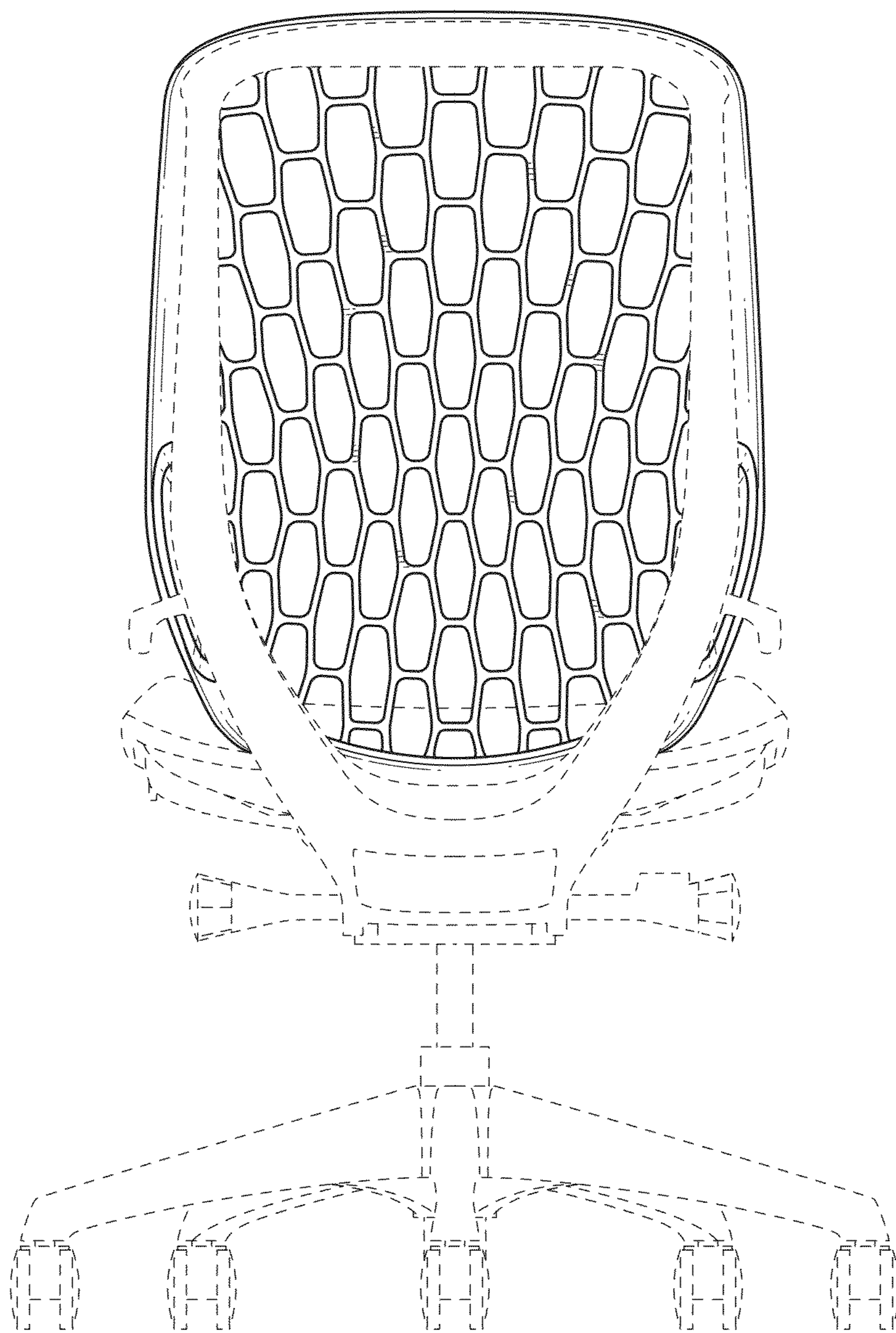


FIG. 5

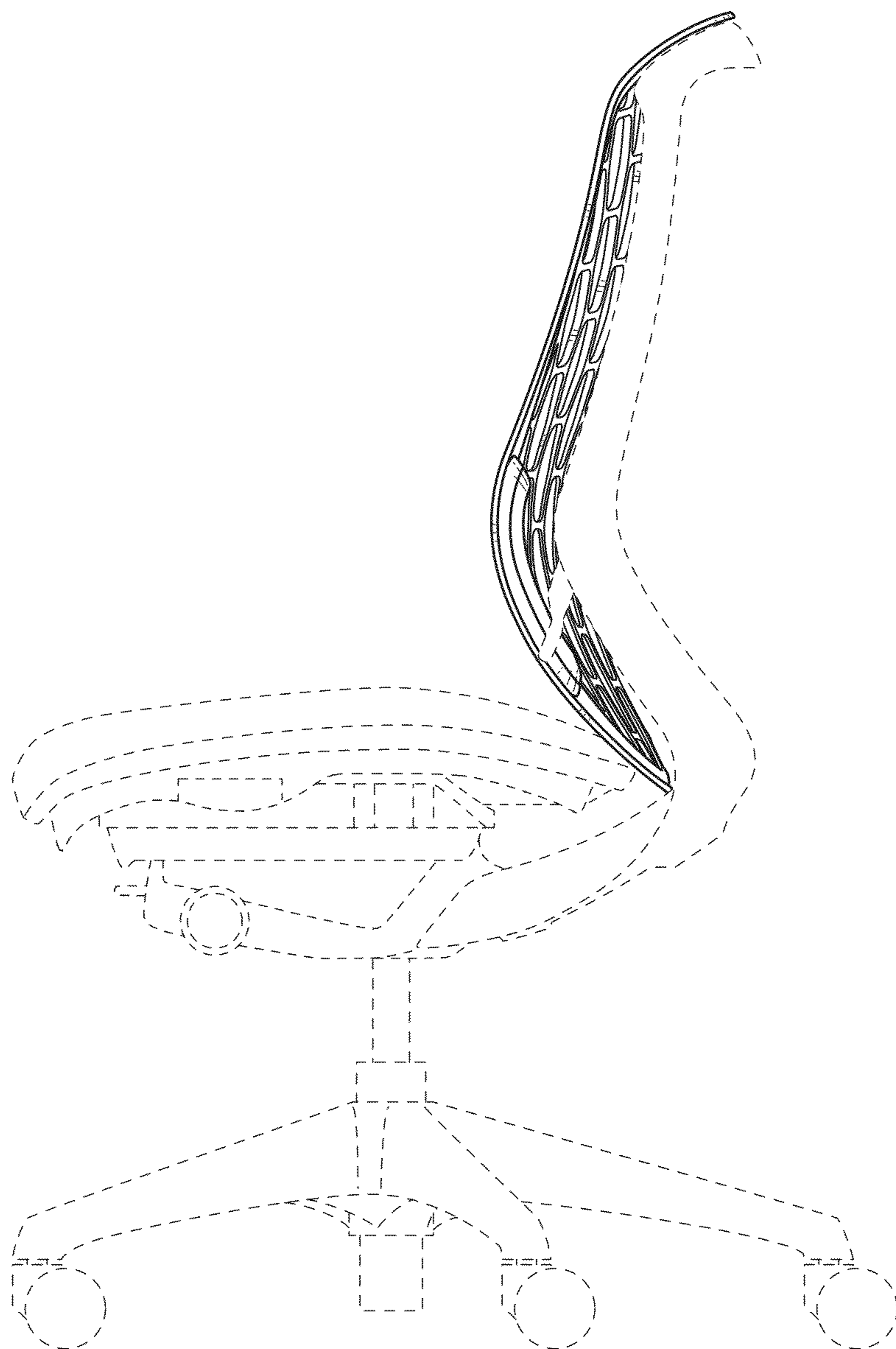


FIG. 6

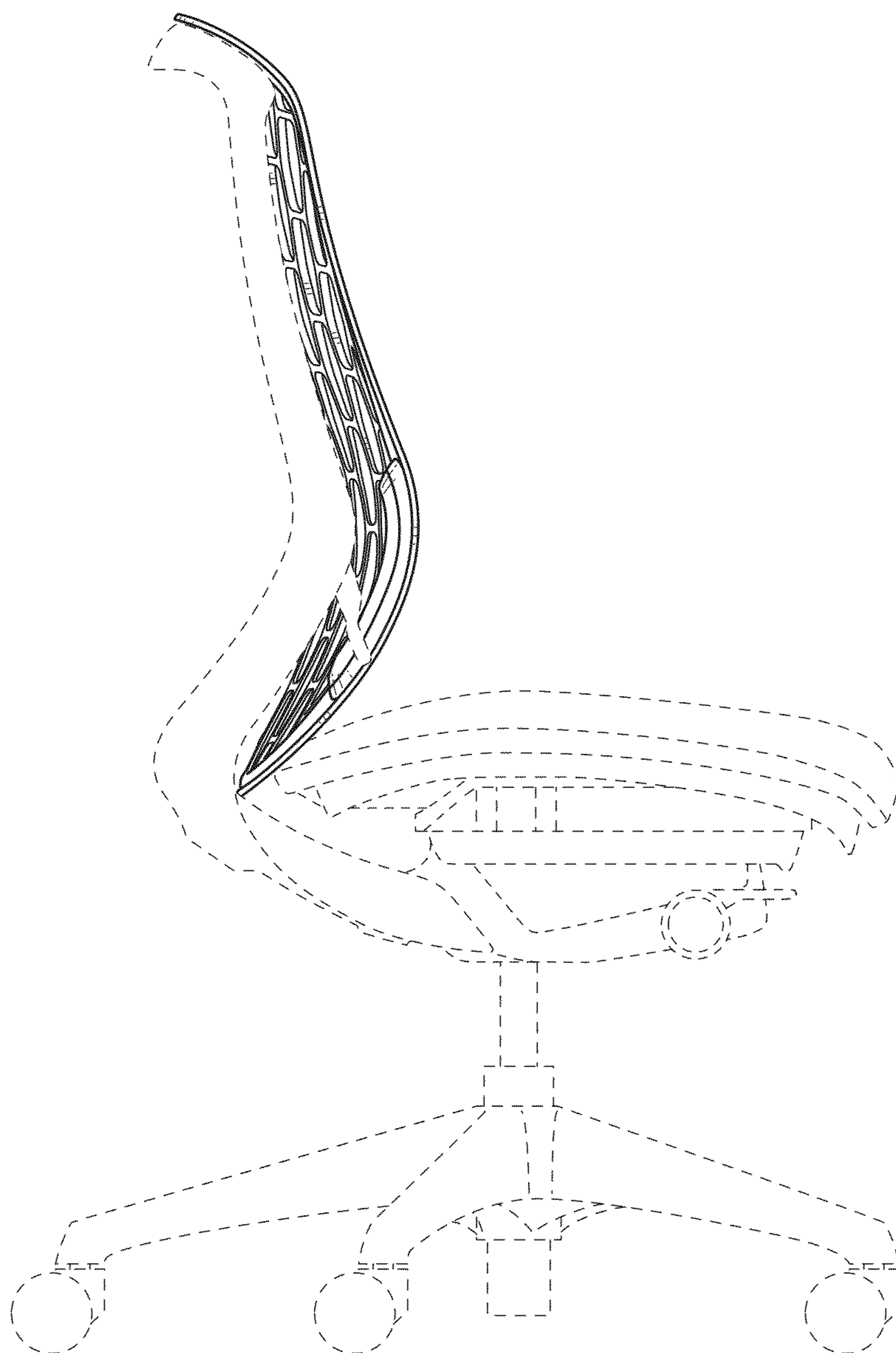


FIG. 7

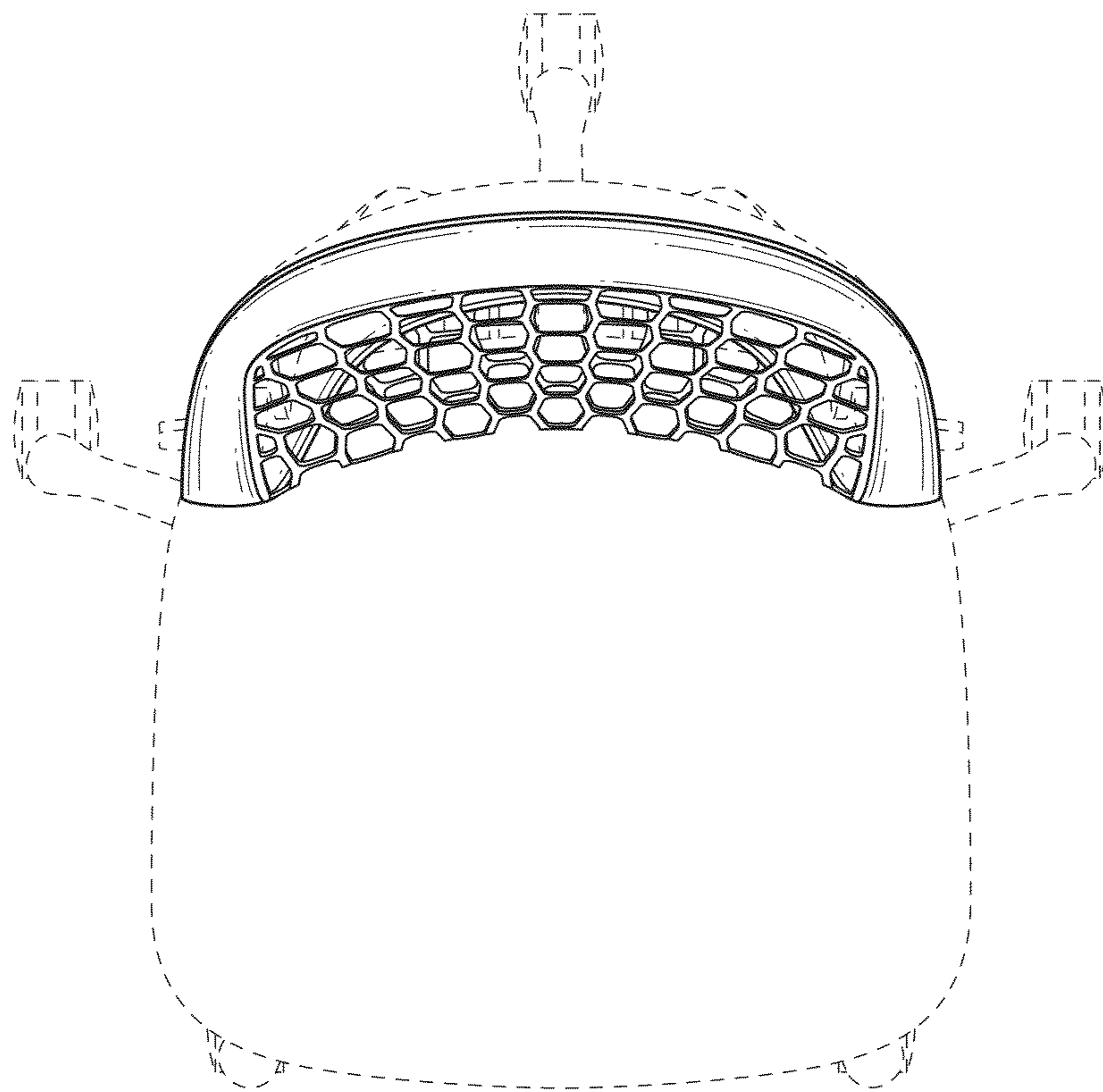


FIG. 8

