



US00D741098S

(12) **United States Design Patent**  
**Andersen**

(10) **Patent No.:** **US D741,098 S**

(45) **Date of Patent:** **\*\* Oct. 20, 2015**

(54) **CHAIR**

CPC ..... A47C 3/18-3/20; A47C 5/02; A47C 9/00;  
A47C 11/00; A47C 13/00; A47C 9/06;  
A47C 7/16

(71) Applicant: **ILLINOIS TOOL WORKS INC.**,  
Glenview, IL (US)

See application file for complete search history.

(72) Inventor: **Brendan Hans Andersen**, Mt Eliza  
Victoria (AU)

(56) **References Cited**

(73) Assignee: **ILLINOIS TOOL WORKS INC.**,  
Glenview, IL (US)

U.S. PATENT DOCUMENTS

(\*\*) Term: **14 Years**

D241,698 S *	10/1976	King .....	D6/495
D456,186 S *	4/2002	Liu .....	D6/498
D564,244 S *	3/2008	Ikaheimo .....	D6/349
D565,313 S *	4/2008	Johnsen .....	D6/349
D646,497 S *	10/2011	Overthun et al. ....	D6/375
D664,779 S *	8/2012	Weber et al. ....	D6/349
D679,517 S *	4/2013	Corcorran et al. ....	D6/375
D720,143 S *	12/2014	Barber et al. ....	D6/352

(21) Appl. No.: **29/482,842**

\* cited by examiner

(22) Filed: **Feb. 21, 2014**

(30) **Foreign Application Priority Data**

*Primary Examiner* — Susan Bennett Hattan

Aug. 22, 2013 (AU) ..... 351025

*Assistant Examiner* — Vy Koenig

(51) **LOC (10) Cl.** ..... **06-01**

(74) *Attorney, Agent, or Firm* — Hauptman Ham LLP

(52) **U.S. Cl.**

(57) **CLAIM**

USPC ..... **D6/708.2**

The ornamental design for a chair, as shown and described.

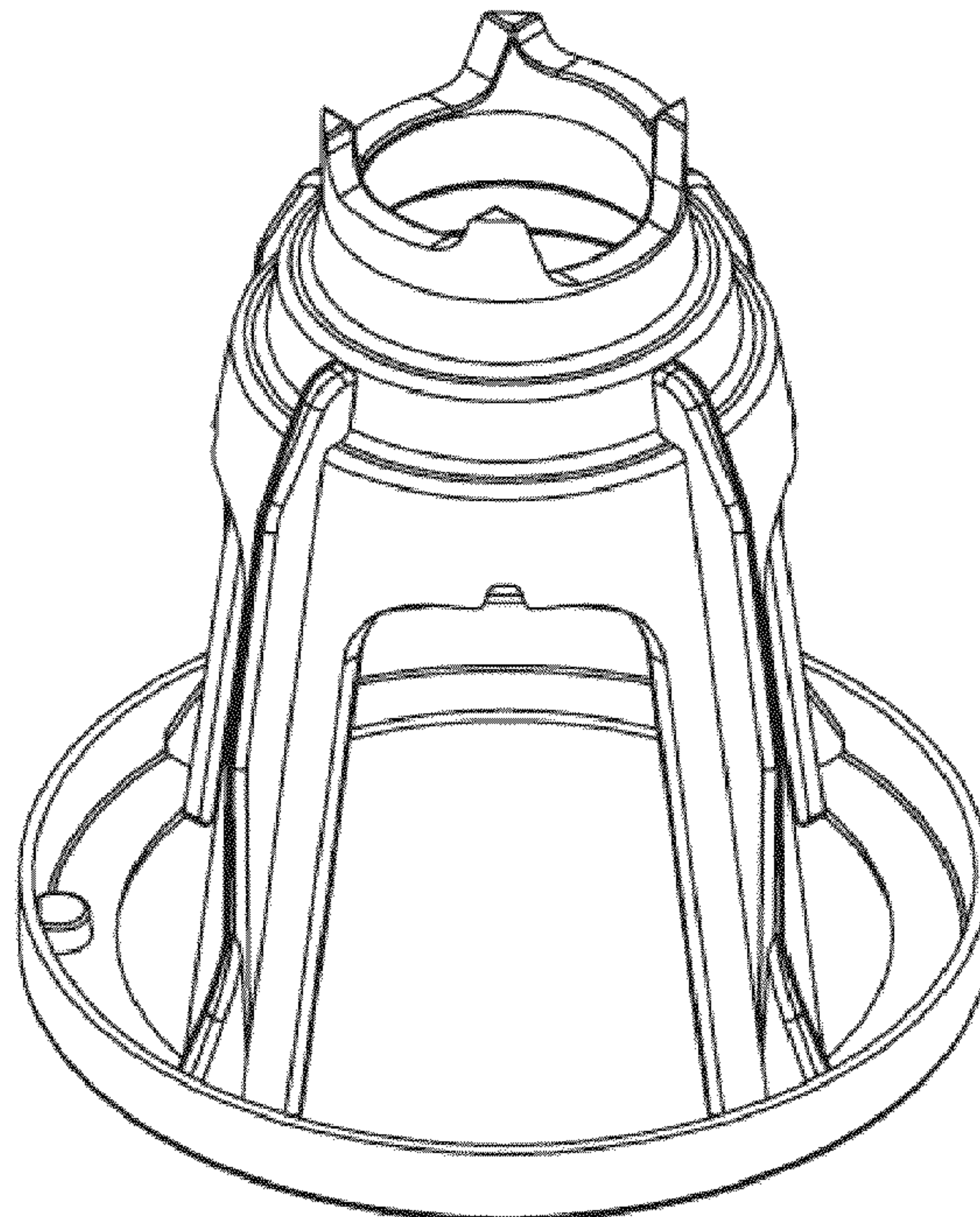
(58) **Field of Classification Search**

**DESCRIPTION**

USPC ..... D6/330, 336-341, 346, 349-355, 357,  
D6/360-362, 364-373, 376, 377, 381, 555,  
D6/645, 656, 658, 665, 674, 675.5, 676,  
D6/682.4, 685-692, 694, 694.2, 704, 705,  
D6/707, 707.8, 707.19, 708, 708.2, 708.23,  
D6/716.1-716.6, 717, 717.2

FIG. 1 is a perspective view of the chair bearing the design;  
FIG. 2 is a top view of the chair according to FIG. 1;  
FIG. 3 is a bottom view of the chair according to FIG. 1;  
FIG. 4 is a front view of the chair according to FIG. 1; and,  
FIG. 5 is a rear view of the chair according to FIG. 1.

**1 Claim, 4 Drawing Sheets**



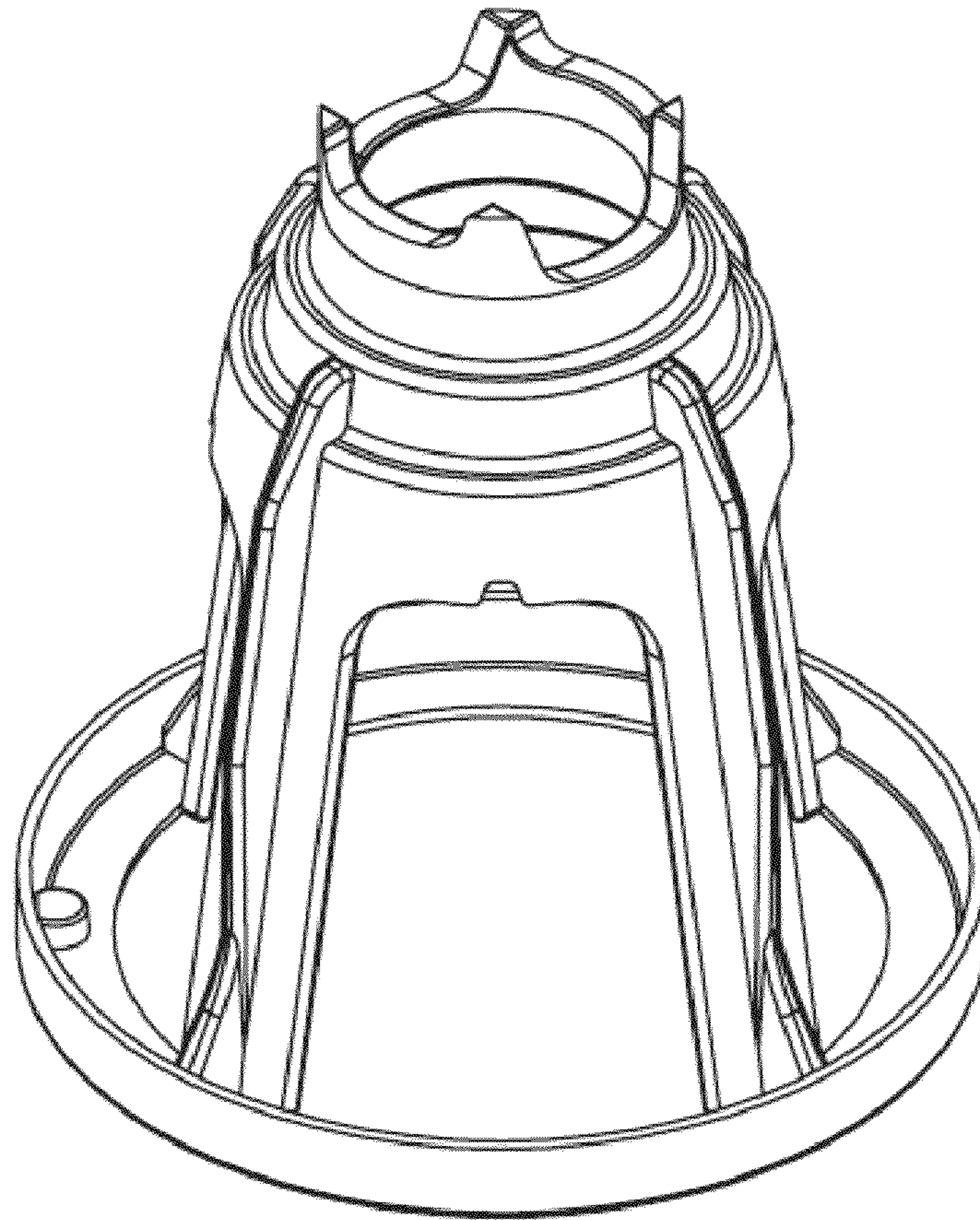


Fig. 1



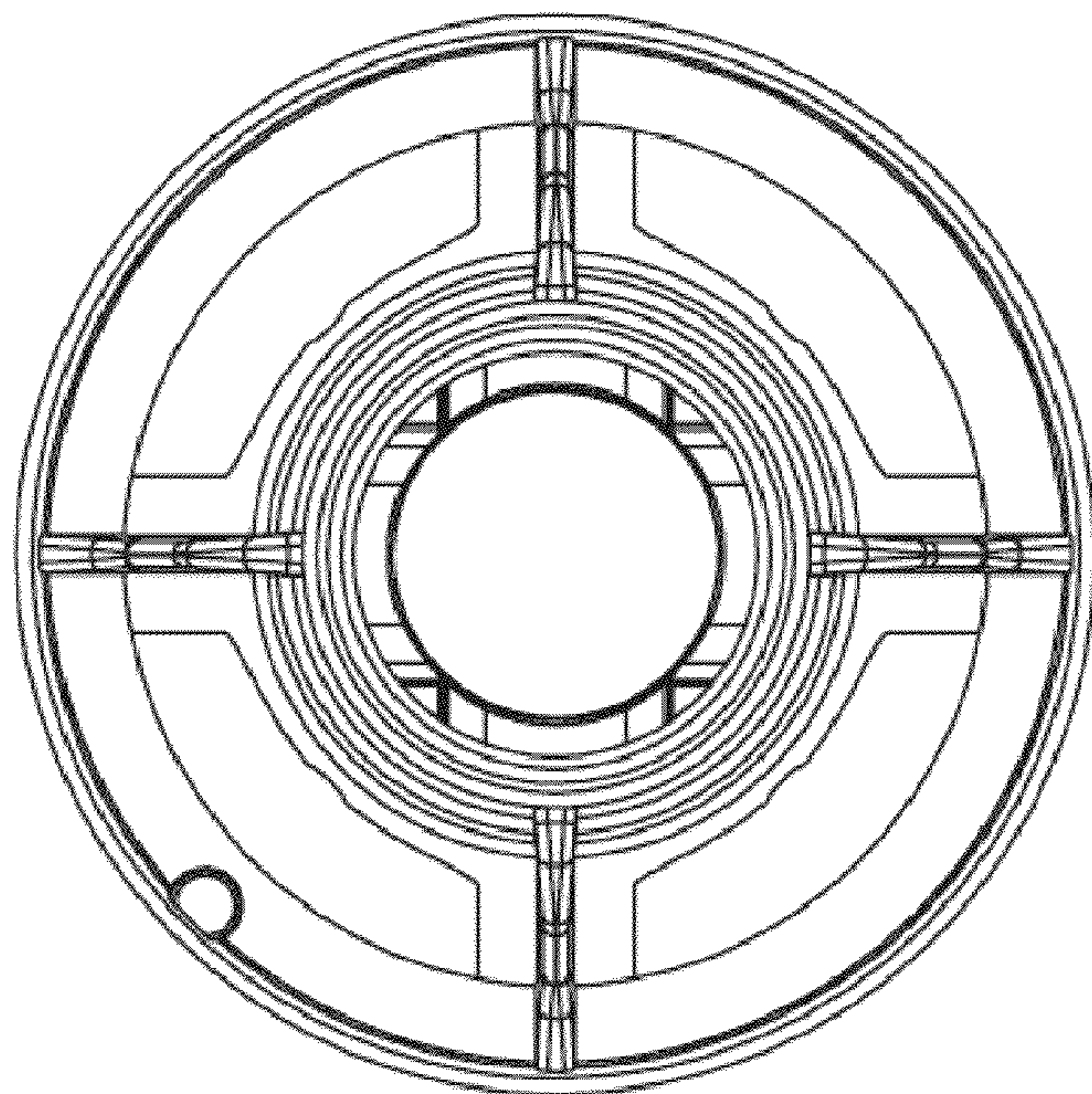


Fig. 2

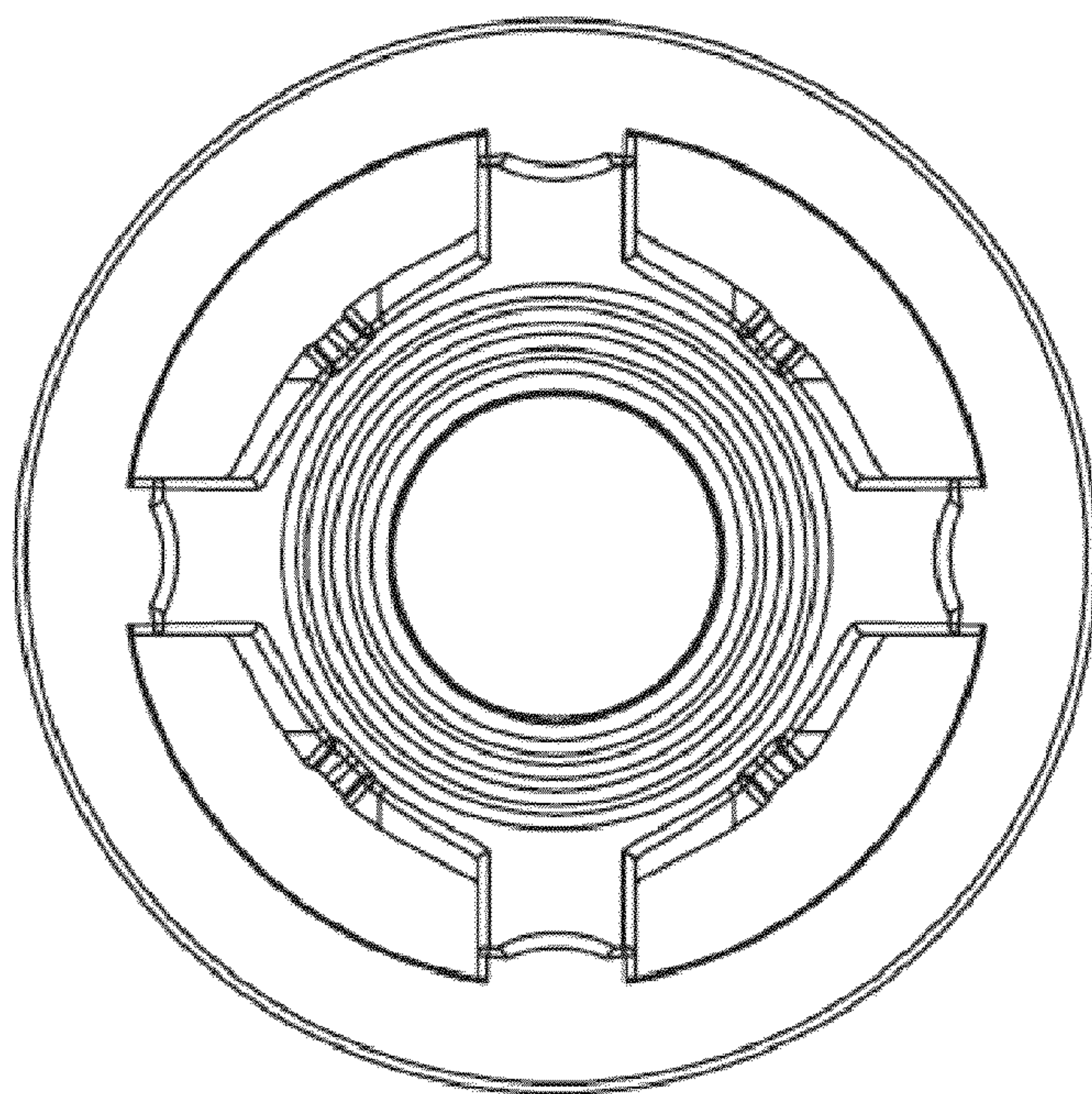


Fig. 3

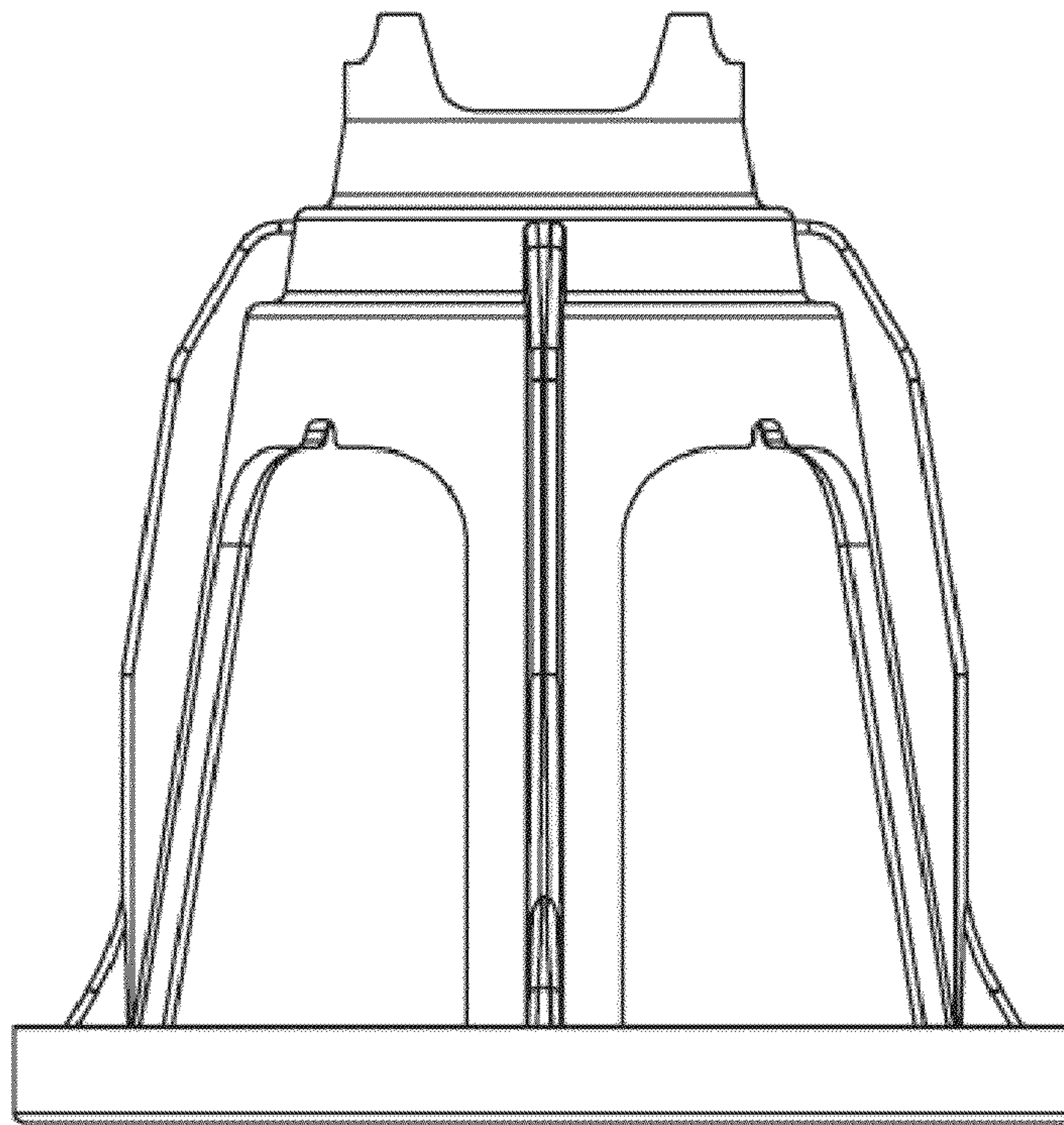


Fig. 4



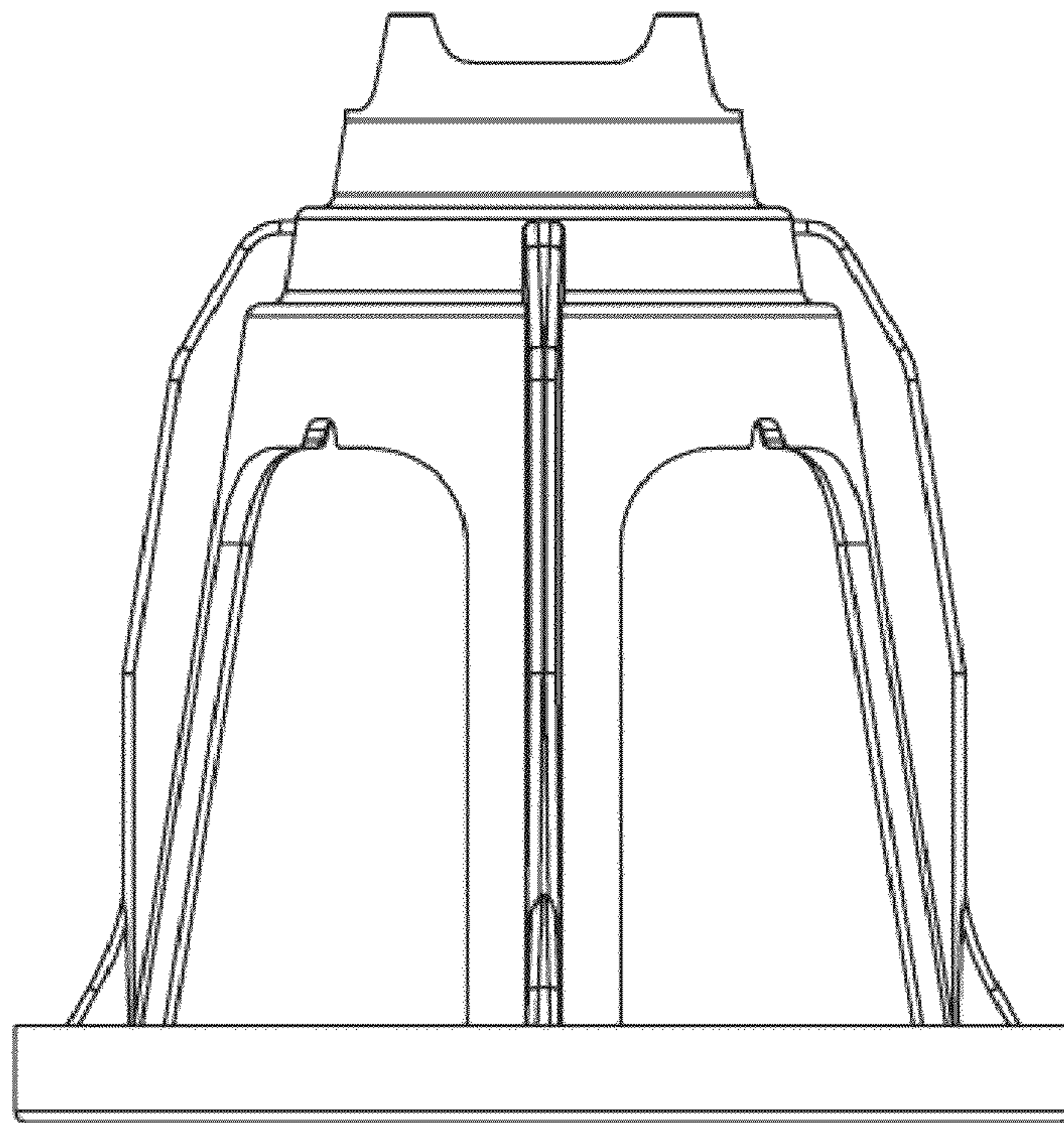


Fig.5