



US00D741097S

(12) **United States Design Patent**  
**Woods**

(10) **Patent No.:** **US D741,097 S**  
(45) **Date of Patent:** **\*\* Oct. 20, 2015**

- (54) **FURNITURE BASE**
- (71) Applicant: **Kimball International, Inc.**, Jasper, IN (US)
- (72) Inventor: **Donald Woods**, Celestine, IN (US)
- (73) Assignee: **Kimball International, Inc.**, Jasper, IN (US)
- (\*\*) Term: **14 Years**
- (21) Appl. No.: **29/492,934**
- (22) Filed: **Jun. 4, 2014**

D371,693 S	7/1996	Paus	
D433,845 S	11/2000	Wilson et al.	
D485,451 S *	1/2004	De Blois	..... D6/657
D499,901 S	12/2004	O'Hare	
D503,565 S	4/2005	Mohundro	
D505,570 S *	5/2005	Mohundro	..... D6/671.1
D511,907 S *	11/2005	Prillaman et al.	..... D6/671.1
D512,247 S *	12/2005	Prillaman et al.	..... D6/671.1
D525,048 S *	7/2006	Mohundro	..... D6/671.1
D525,049 S	7/2006	Mohundro	
D534,371 S *	1/2007	Domack et al.	..... D6/671.1
D565,870 S	4/2008	Thompson	
D568,639 S	5/2008	Henriott	
D595,975 S	7/2009	Thompson	
D599,578 S *	9/2009	Domack et al.	..... D6/671.1
D609,497 S *	2/2010	Kanthasamy	..... D6/671.1

(Continued)

**Related U.S. Application Data**

- (62) Division of application No. 29/423,125, filed on May 29, 2012, now Pat. No. Des. 714,578.
- (51) **LOC (10) Cl.** ..... **06-06**
- (52) **U.S. Cl.**  
USPC ..... **D6/708**
- (58) **Field of Classification Search**  
USPC ..... D6/657, 660, 663, 664.1, 668, 668.1, D6/668.2, 669, 671, 671.1-671.4, 691.3, D6/691.8, 702, 703, 703.2, 705, 705.1, D6/705.2, 705.5, 708  
CPC ..... A47B 17/04; A47B 19/06; A47B 47/03; A47B 67/00; A47B 67/02; A47B 67/005; A47B 81/00; A47B 88/22; A47F 3/00; A47F 3/043; D06F 67/005  
See application file for complete search history.

**References Cited**

**U.S. PATENT DOCUMENTS**

2,852,221 A	9/1958	Steiner
D272,698 S	2/1984	Aulbert et al.
D371,257 S	7/1996	Paus

*Primary Examiner* — Ricky Pham

(74) *Attorney, Agent, or Firm* — Faegre Baker Daniels LLP

(57) **CLAIM**

The ornamental design for a furniture base, as shown and described.

**DESCRIPTION**

FIG. 1 is a front perspective view of a furniture base according to my new design;

FIG. 2 is an enlarged fragmentary view of a portion of FIG. 1;

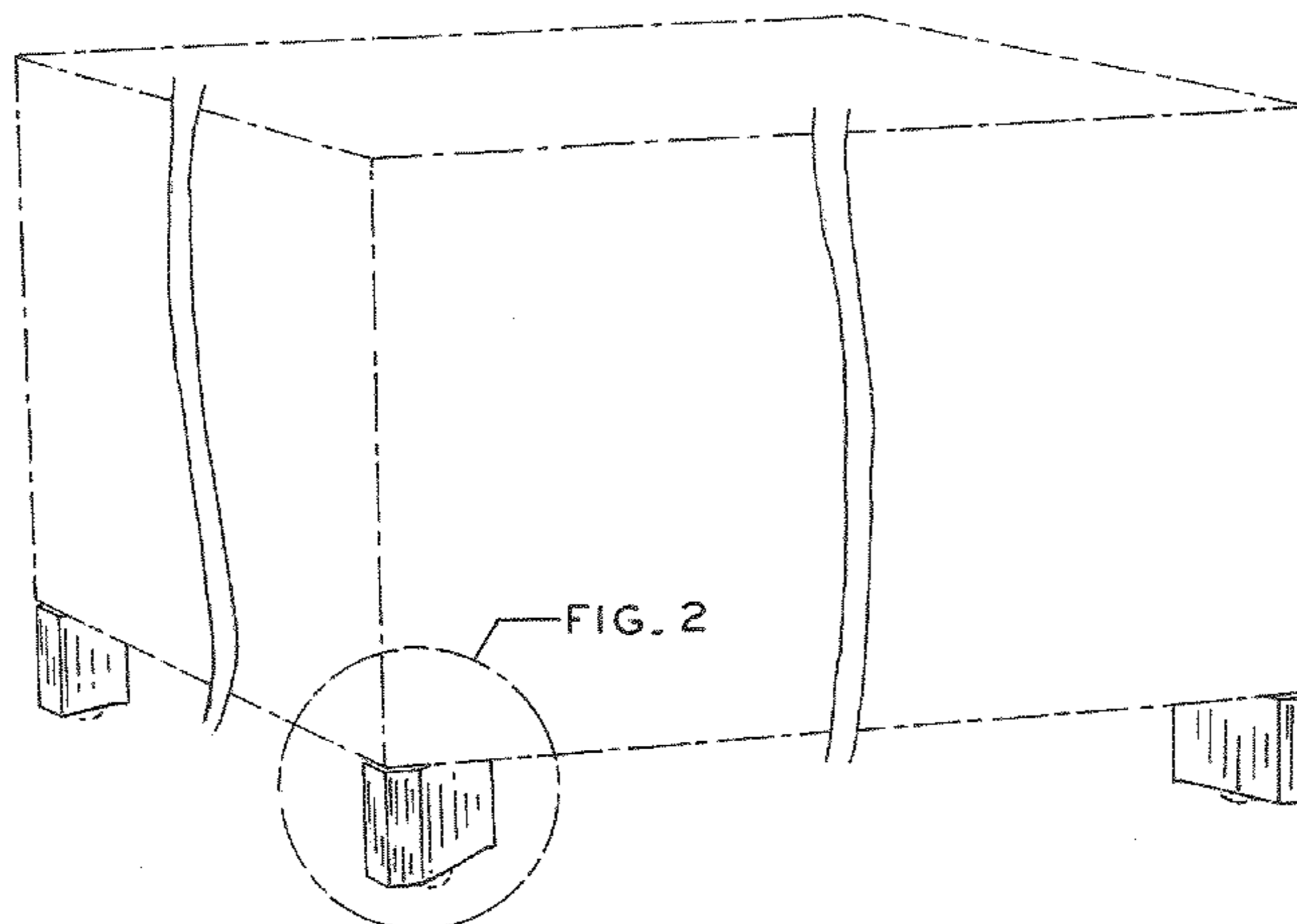
FIG. 3 is a front/rear view of the furniture base of FIG. 1, it being understood that the front and rear views are identical;

FIG. 4 is an enlarged fragmentary view of a portion of FIG. 3;

FIG. 5 is a left side/right side view of the furniture base of FIG. 1, it being understood that the left and right side views are identical; and,

FIG. 6 is an enlarged fragmentary view of a portion of FIG. 5. The vertical break lines indicate that the width and depth of the furniture base may vary. Features shown in dashed/broken lines form no part of the claimed design.

**1 Claim, 3 Drawing Sheets**



# US D741,097 S

Page 2

---

(56)

## References Cited

### U.S. PATENT DOCUMENTS

D609,966 S 2/2010 Bengtson et al.

D634,950 S 3/2011 Wahl et al.

D656,346 S \* 3/2012 Schopmeyer ..... D6/703.2

D663,548 S \* 7/2012 Domack et al. .... D6/671.1

D711,164 S \* 8/2014 Litt ..... D6/664.1

D714,578 S \* 10/2014 Woods ..... D6/708

D718,076 S \* 11/2014 Medley et al. .... D6/671.1

\* cited by examiner

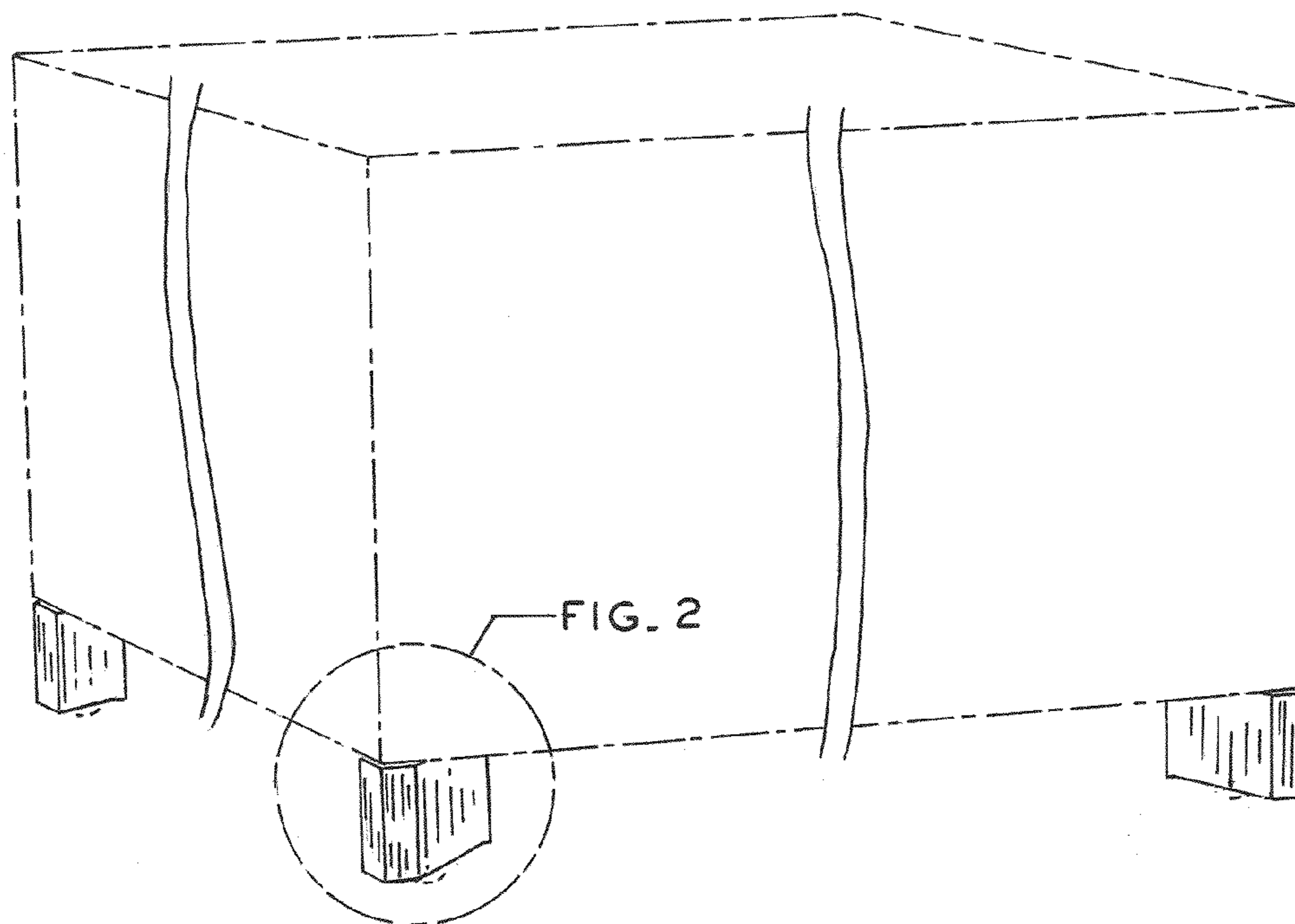


FIG. 1

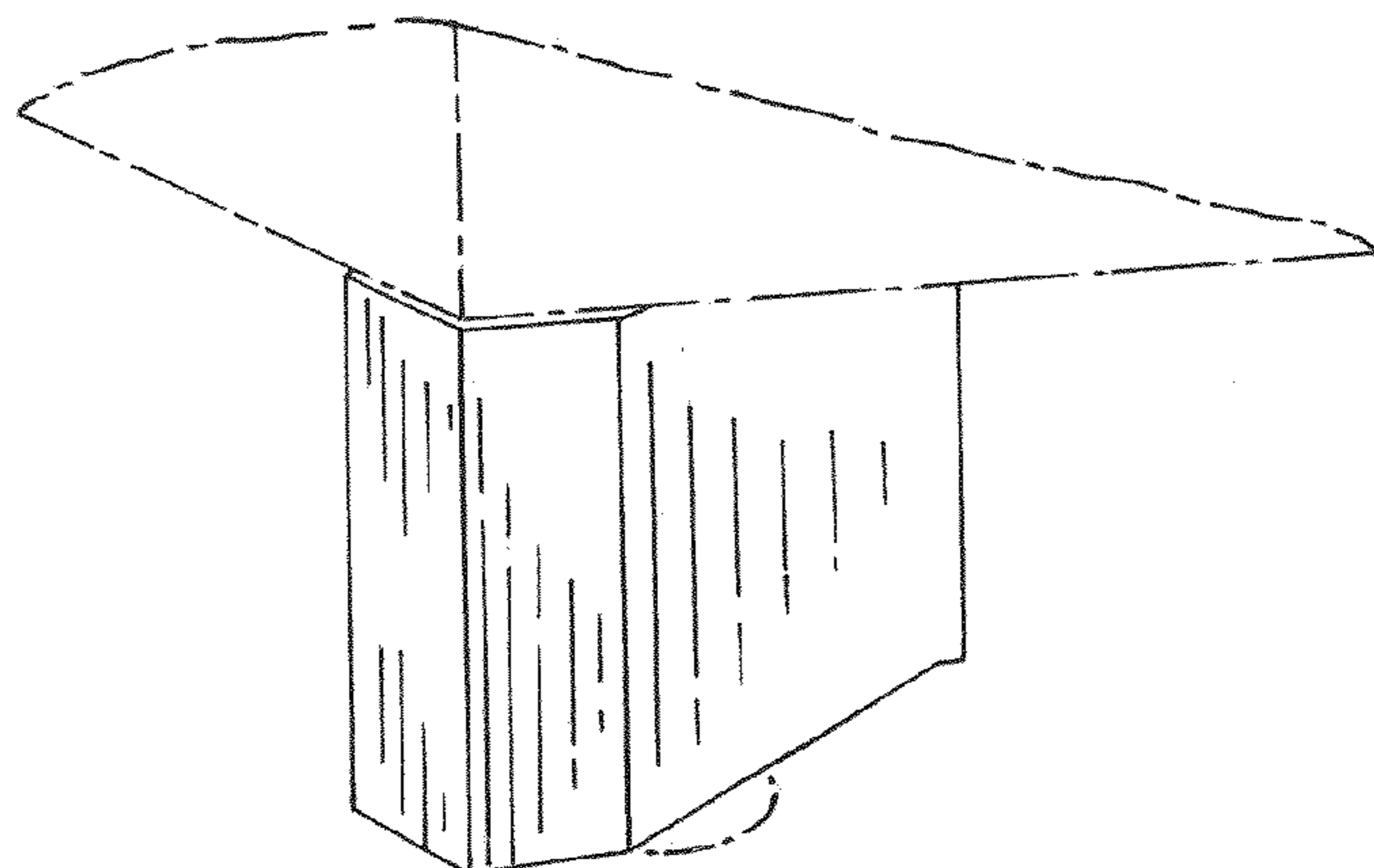


FIG. 2

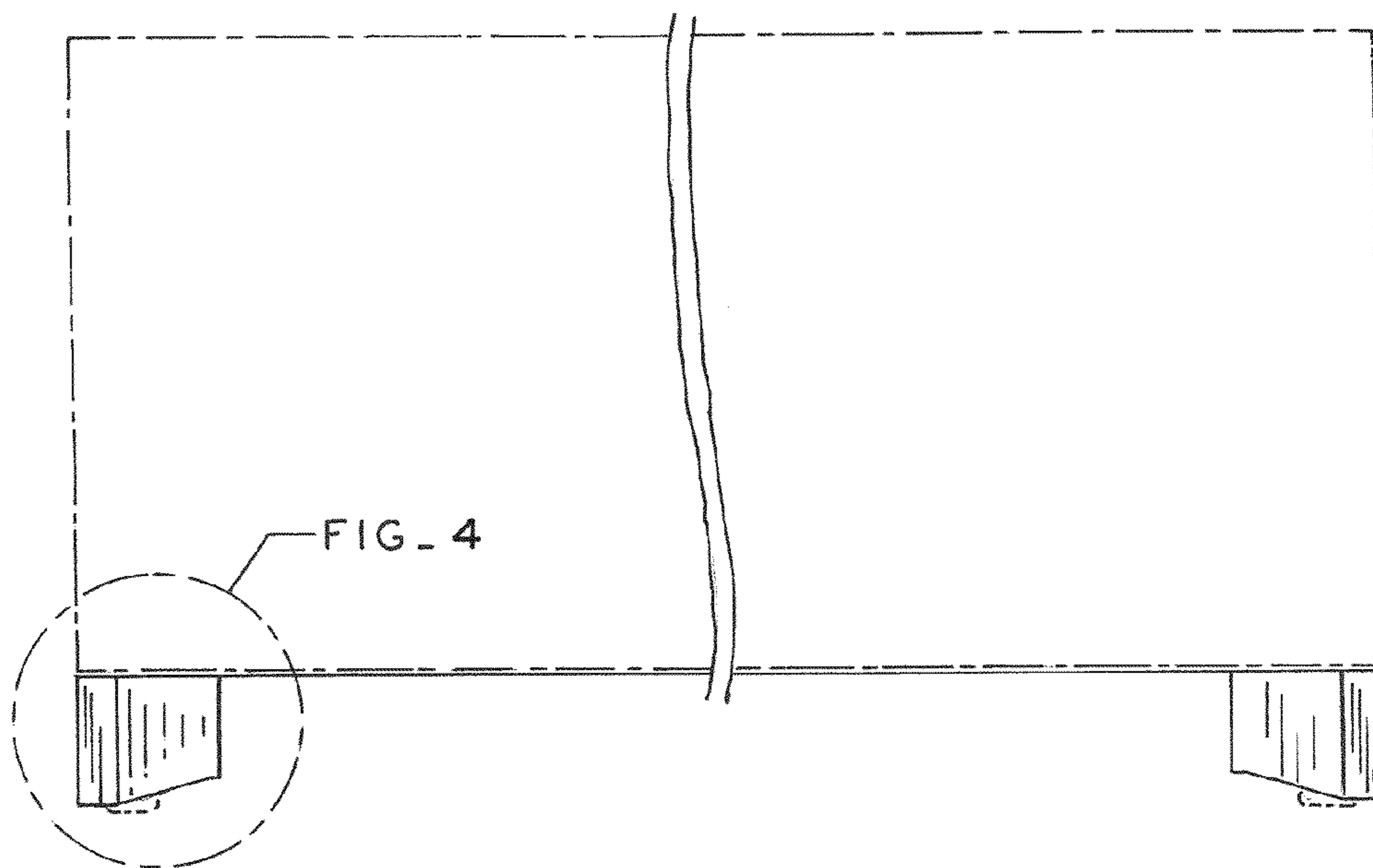


FIG. 3

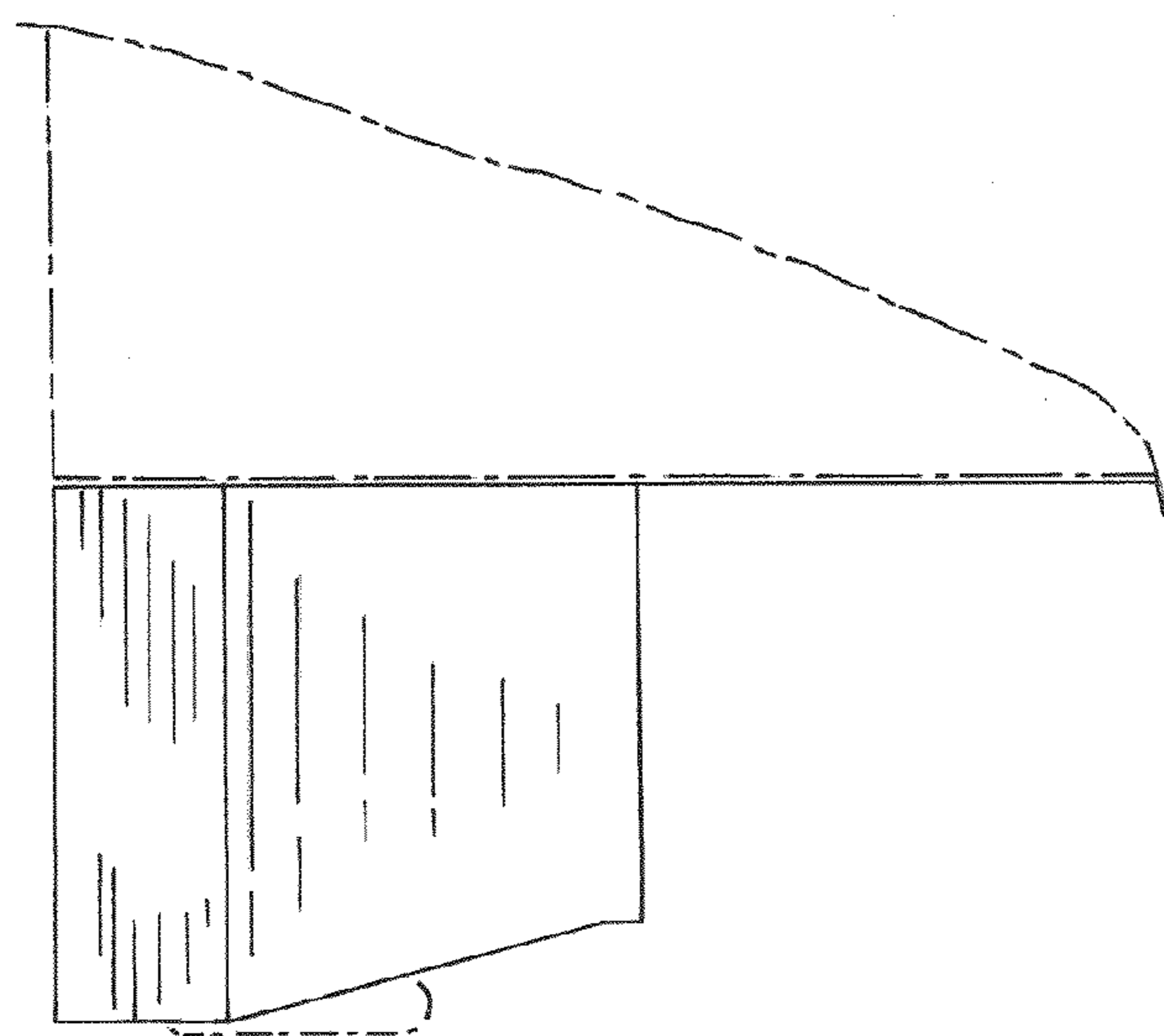


FIG. 4

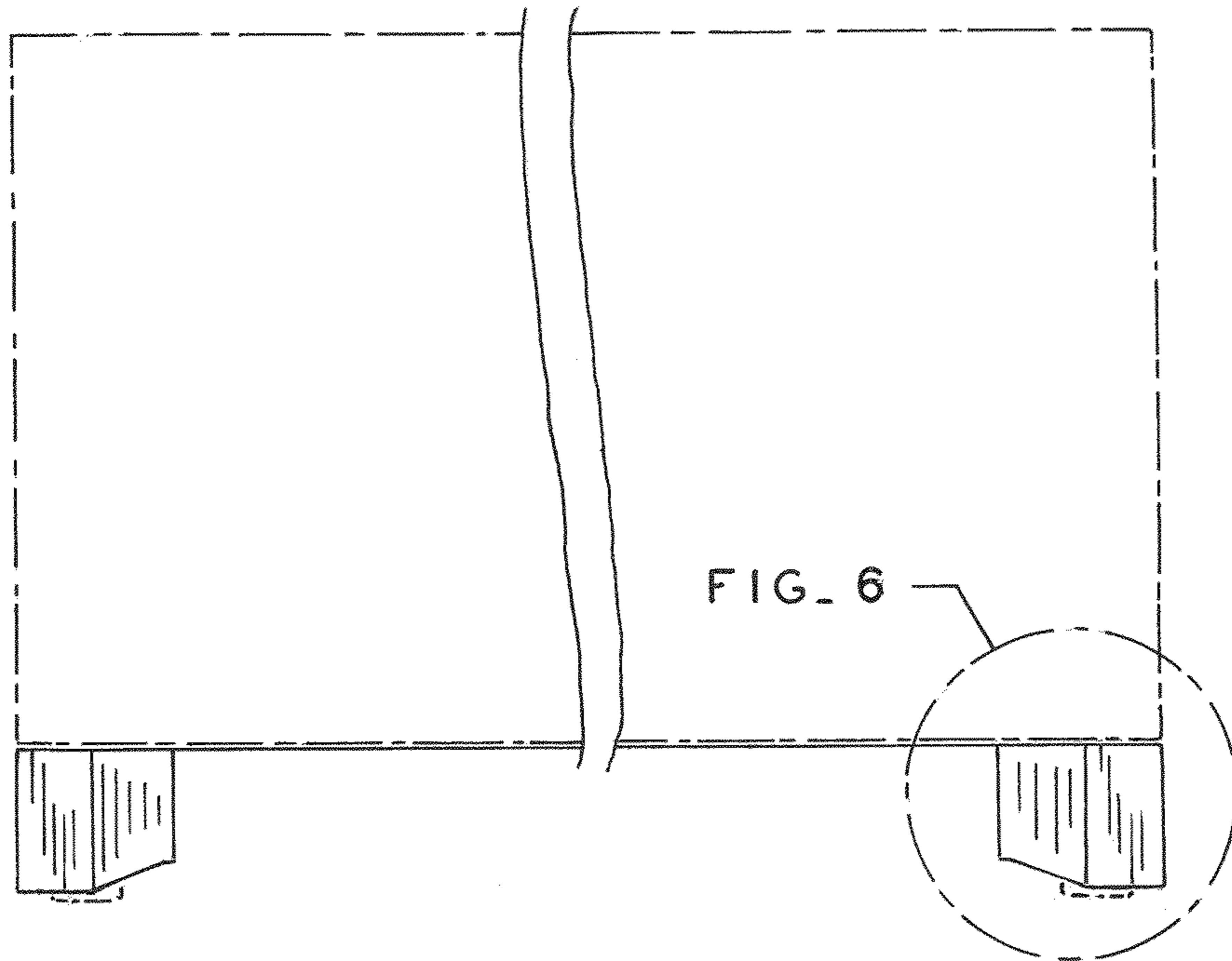


FIG. 5

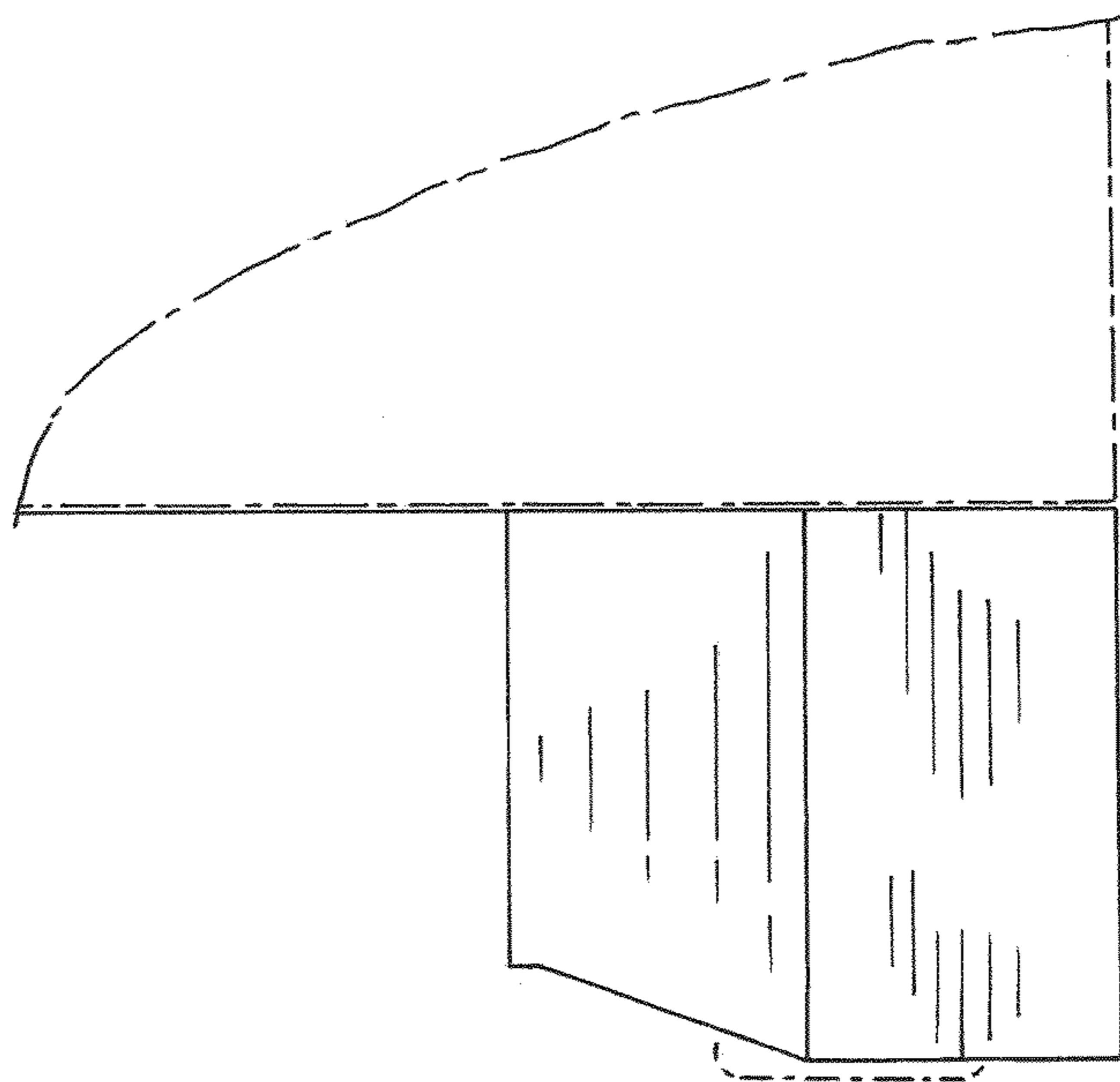


FIG. 6