



US00D741094S

(12) **United States Design Patent**
Martell et al.

(10) **Patent No.:** **US D741,094 S**
(45) **Date of Patent:** **** Oct. 20, 2015**

- (54) **DISPLAY APPARATUS**
- (71) Applicant: **Target Brands, Inc.**, Minneapolis, MN (US)
- (72) Inventors: **Timothy J. Martell**, Brooklyn Park, MN (US); **Robert D. Peota**, Minneapolis, MN (US); **Blake M. Johnson**, St. Paul, MN (US); **William Y. Stafford**, Minnertrista, MN (US); **Robert P. Stoltz**, Edina, MN (US)
- (73) Assignee: **Target Brands, Inc.**, Minneapolis, MN (US)
- (**) Term: **15 Years**
- (21) Appl. No.: **29/532,413**
- (22) Filed: **Jul. 7, 2015**

D560,931 S	2/2008	Woodward et al.	
D587,497 S	3/2009	Zambelli	
D589,280 S	3/2009	Zambelli	
D599,577 S	9/2009	Lara	
D630,453 S	1/2011	Rafieha	
D663,139 S	7/2012	Zambelli	
D684,396 S	* 6/2013	Stukenberg	D6/657
D687,250 S	8/2013	Weatherly	
D712,181 S	* 9/2014	Martell	D6/675.1
D718,956 S	* 12/2014	Helser	D6/661
D718,957 S	* 12/2014	Helser	D6/661
D724,356 S	* 3/2015	Weatherly	D6/661
D728,280 S	* 5/2015	Weatherly	D6/671.1
D728,975 S	* 5/2015	Park	D6/657
D732,318 S	* 6/2015	Engebretson	D6/657
D732,319 S	* 6/2015	Engebretson	D6/657
D732,853 S	* 6/2015	Engebretson	D6/657
D732,854 S	* 6/2015	Engebretson	D6/657
D732,855 S	* 6/2015	Helser	D6/660
D736,020 S	* 8/2015	Martell	D6/702

Related U.S. Application Data

- (62) Division of application No. 29/482,747, filed on Feb. 21, 2014, now Pat. No. Des. 736,020.
- (51) **LOC (10) Cl.** **06-04**
- (52) **U.S. Cl.**
USPC **D6/702**
- (58) **Field of Classification Search**
USPC D6/657, 660-662, 662.1, 671, 671.1, D6/675.1, 691.8, 702, 703, 703.2
CPC A47B 17/04; A47B 47/03; A47B 81/06; A47B 83/00; A47F 3/00; A47F 3/005; A47F 5/0807

See application file for complete search history.

References Cited

U.S. PATENT DOCUMENTS

D56,556 S	11/1920	Gray
D477,474 S	7/2003	Milligan
D534,379 S	1/2007	Juneau
D553,879 S	10/2007	Juneau
D560,929 S	2/2008	Woodward et al.
D560,930 S	2/2008	Woodward et al.

OTHER PUBLICATIONS

Pending U.S. Appl. No. 14/186,277, filed Feb. 21, 2014, entitled Retail Fixture with Slot, 50 pages.
Office Action from Canadian Patent Application No. 155938, mailed Nov. 18, 2014, 6 pages.

* cited by examiner

Primary Examiner — Ricky Pham

(74) *Attorney, Agent, or Firm* — Leanne Taveggia Farrell; Westman, Champlin & Koehler, P.A.

(57) **CLAIM**

The ornamental design for a display apparatus, as shown and described.

DESCRIPTION

FIG. 1 is a right perspective view of a display apparatus showing our new design;
FIG. 2 is a left perspective view thereof;
FIG. 3 is a top view thereof;
FIG. 4 is a front view thereof, the opposing back view being a mirror image;
FIG. 5 is a right side view thereof, the opposing left side view being a mirror image;

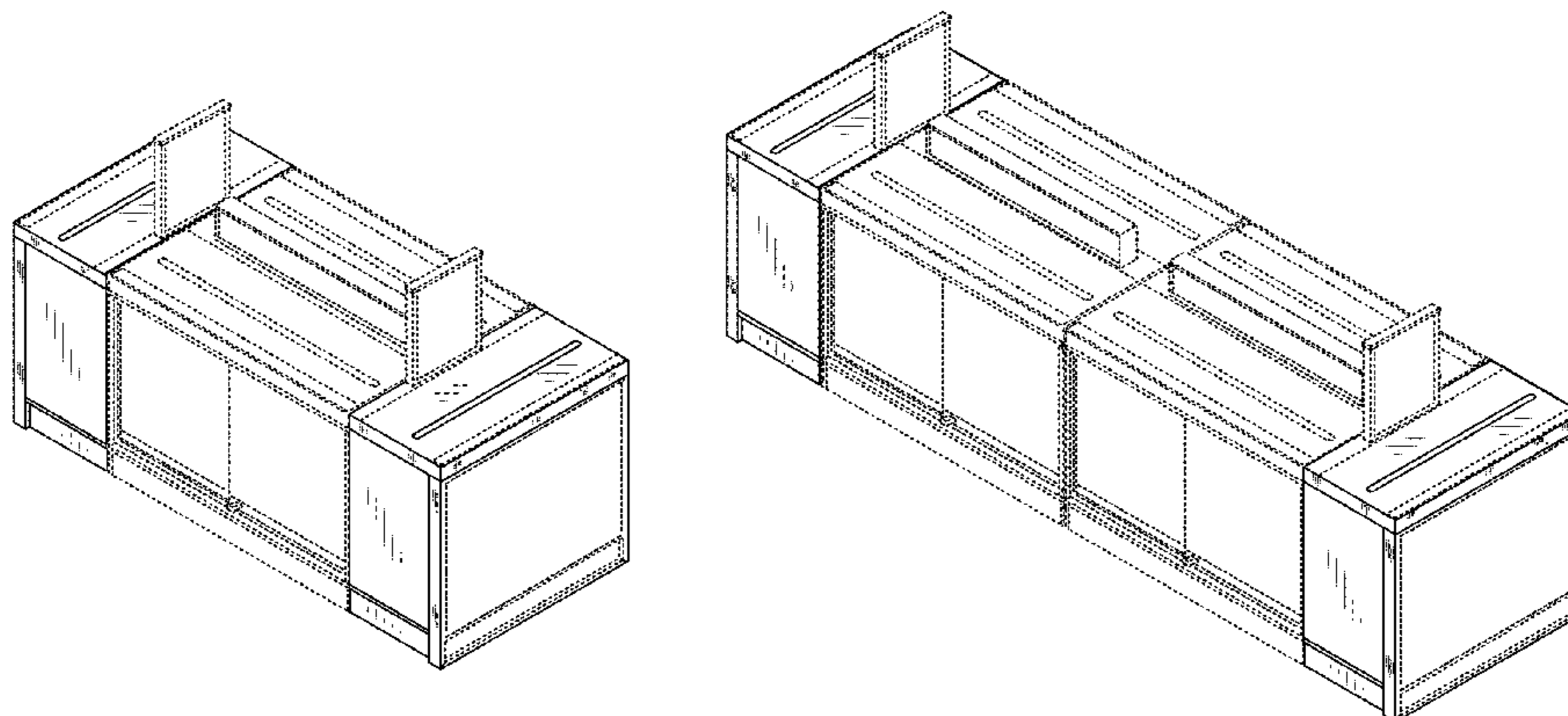


FIG. 6 is an enlarged section view representative of the sections indicated by the lines in FIG. 3 and is shown without the rest of the claimed display apparatus for convenience of illustration;

FIG. 7 is a right perspective view of a second embodiment thereof;

FIG. 8 is a left perspective view of FIG. 7;

FIG. 9 is a top view of FIG. 7;

FIG. 10 is a front view of FIG. 7, the opposing back view being a mirror image;

FIG. 11 is a right side view of FIG. 7, the opposing left side view being a mirror image;

FIG. 12 is an enlarged section view representative of the sections indicated by the lines in FIG. 9 and is shown without the rest of the claimed display apparatus for convenience of illustration;

FIG. 13 is a right perspective view of a third embodiment thereof;

FIG. 14 is a left perspective view of FIG. 13;

FIG. 15 is a top view of FIG. 13;

FIG. 16 is a front view of FIG. 13, the opposing back view being a mirror image;

FIG. 17 is a right side view of FIG. 13, the opposing left side view being a mirror image; and,

FIG. 18 is an enlarged section view representative of the sections indicated by the lines in FIG. 15 and is shown without the rest of the claimed display apparatus for convenience of illustration.

The broken lines shown in the drawings are included for purposes of illustrating portions of the display apparatus and form no part of the claimed design.

1 Claim, 12 Drawing Sheets

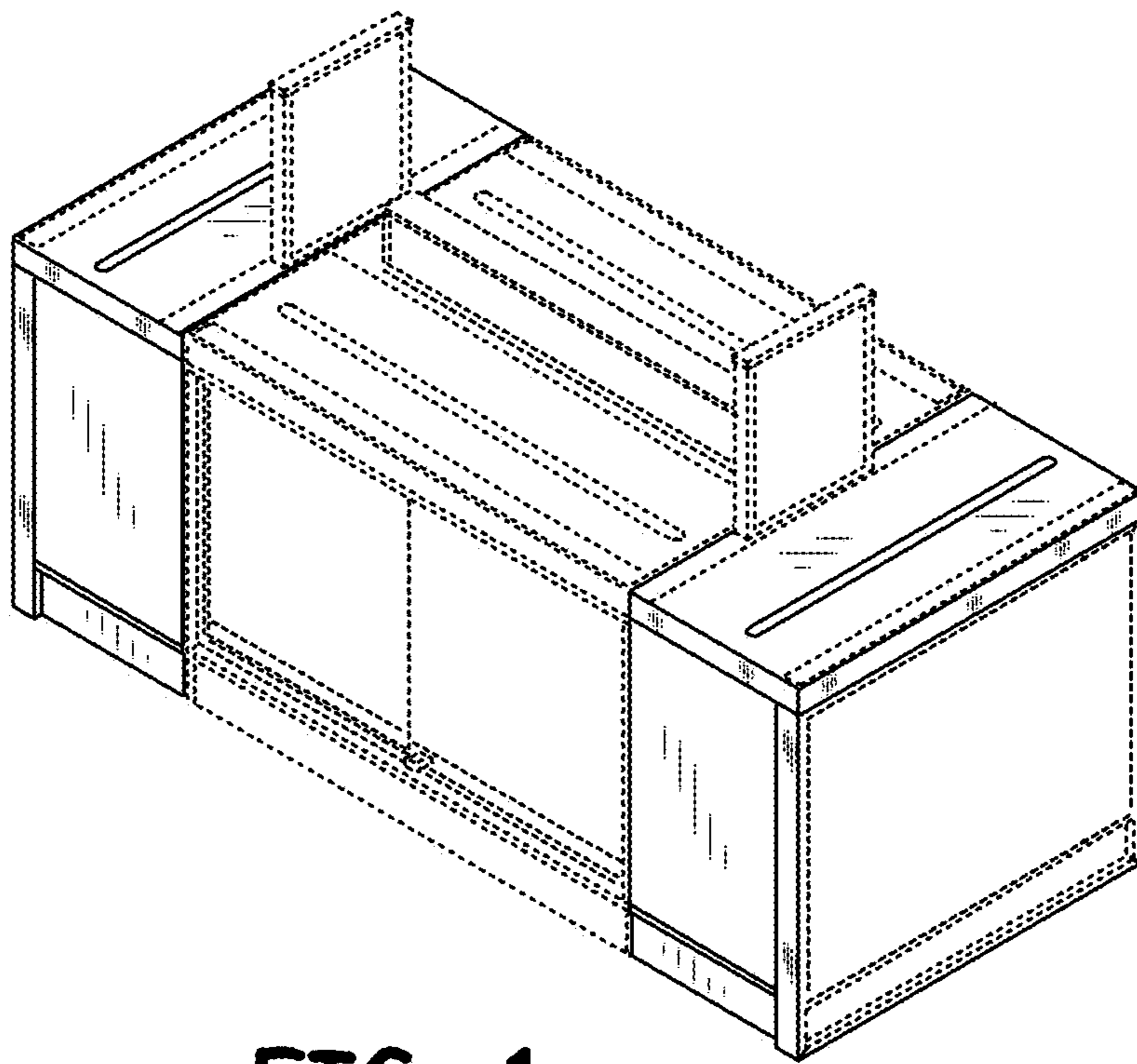


FIG. 1

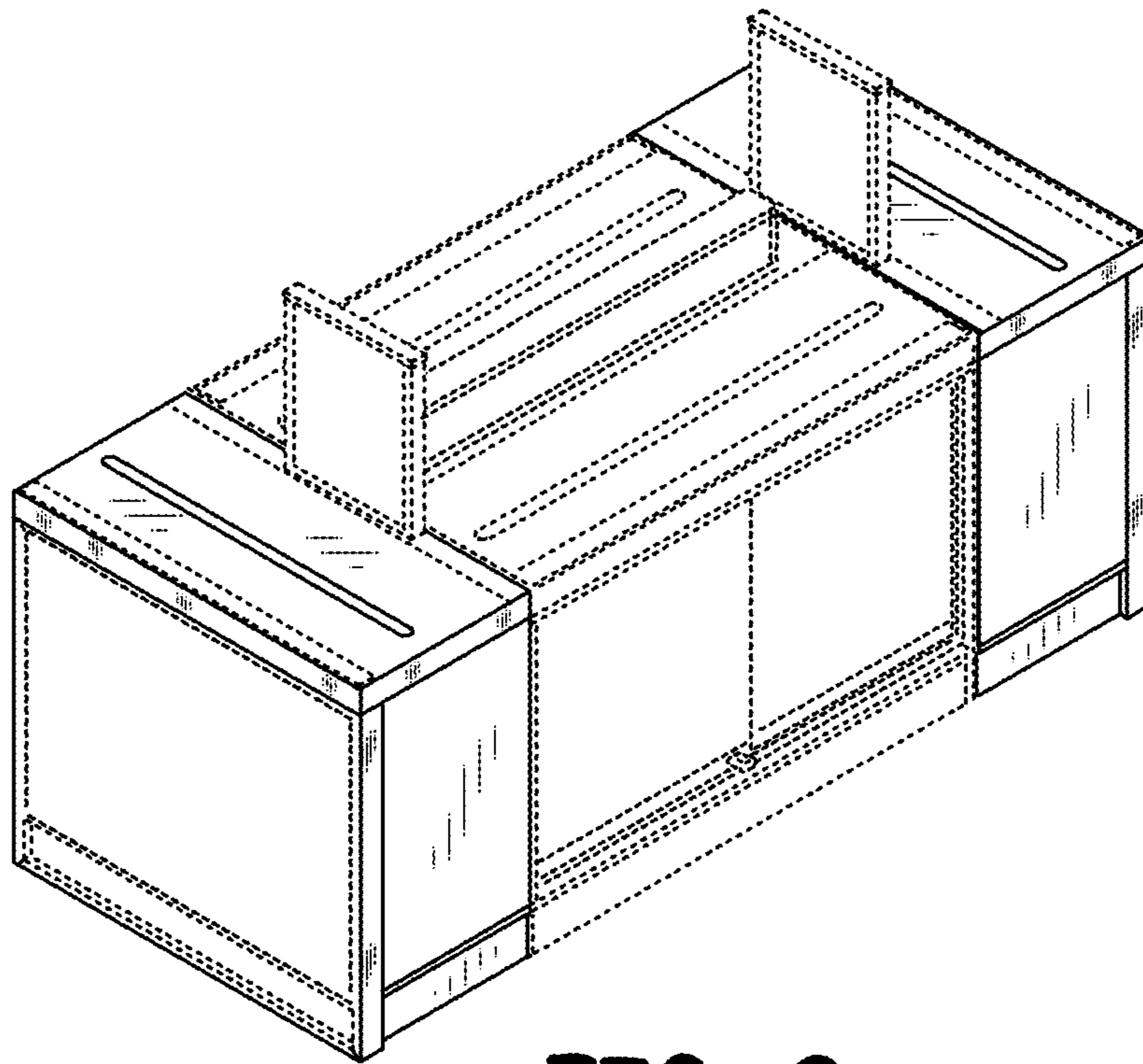


FIG. 2

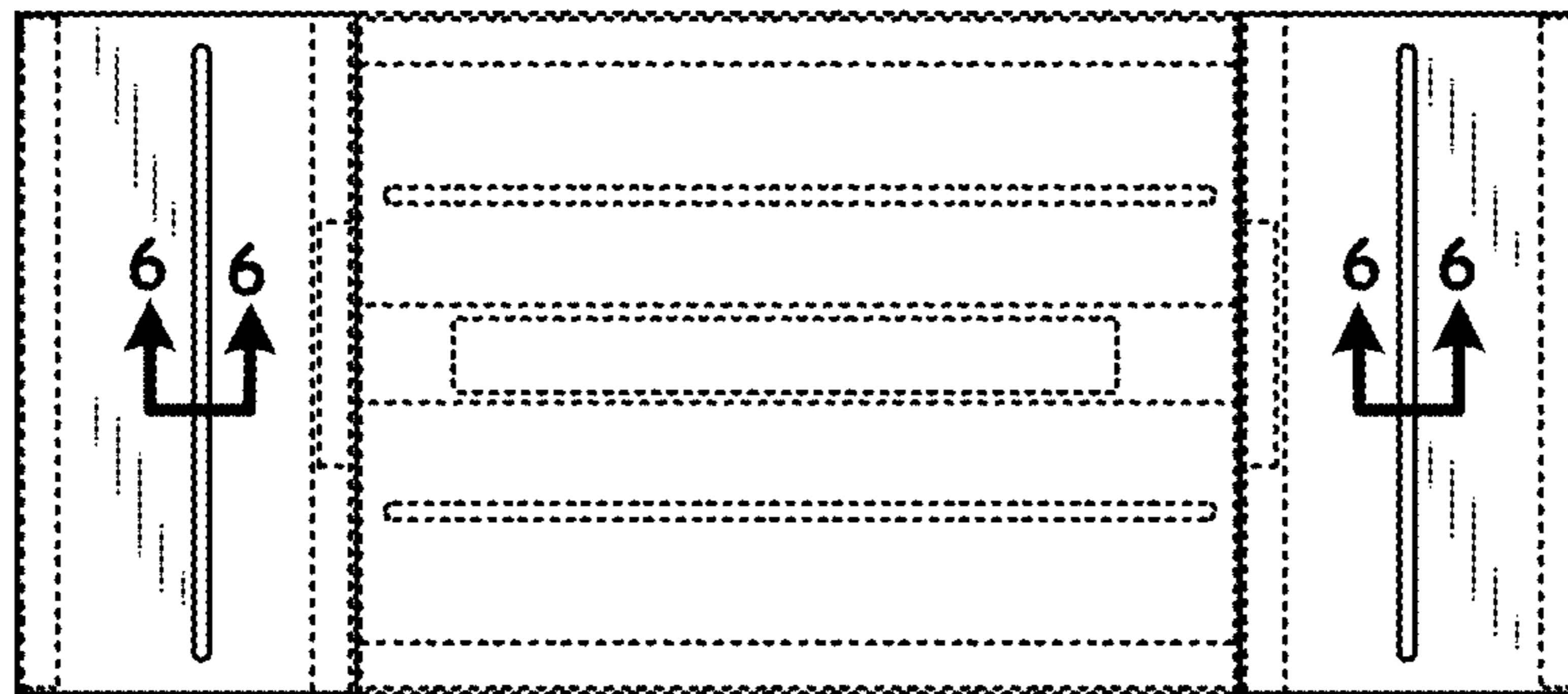


FIG. 3

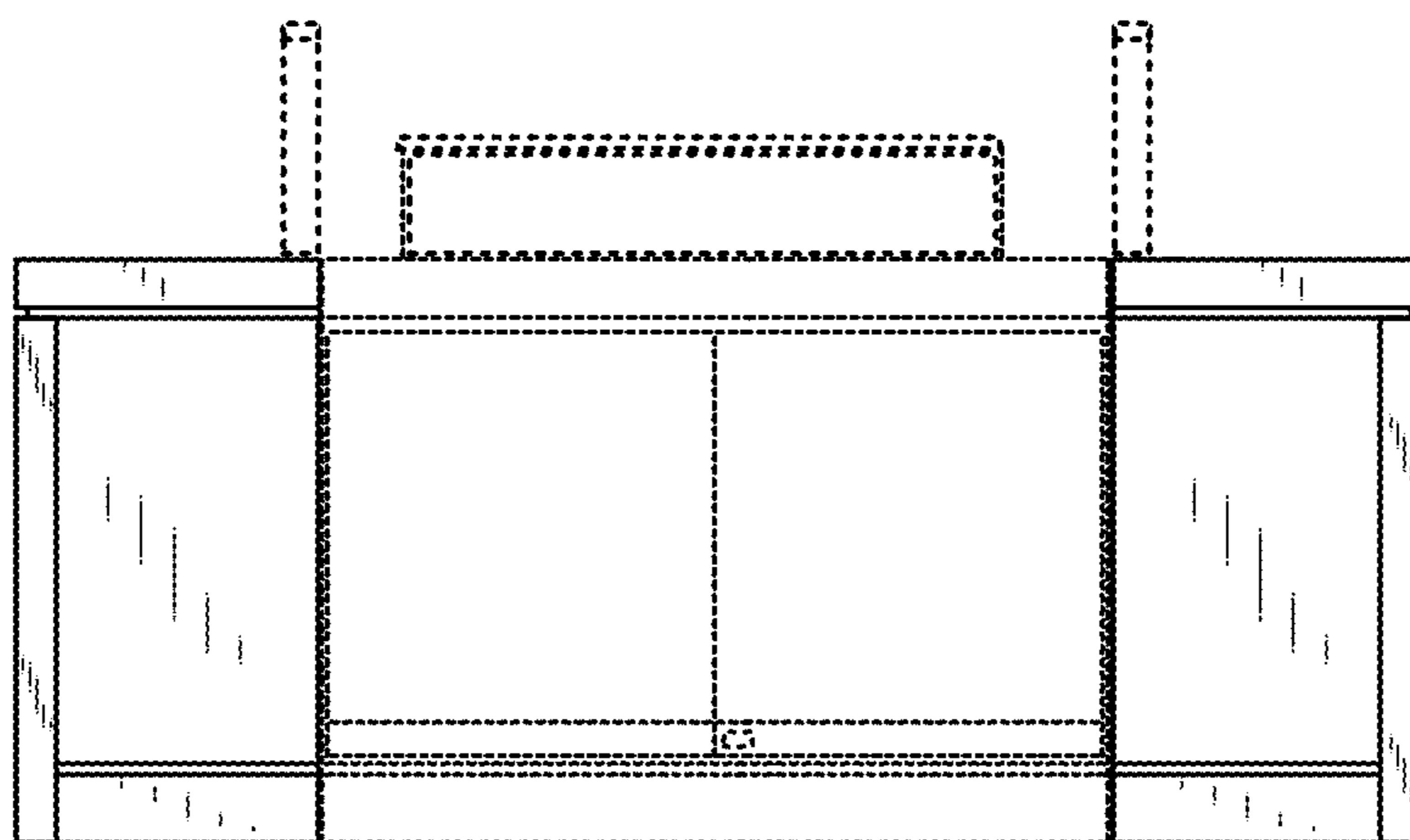


FIG. 4

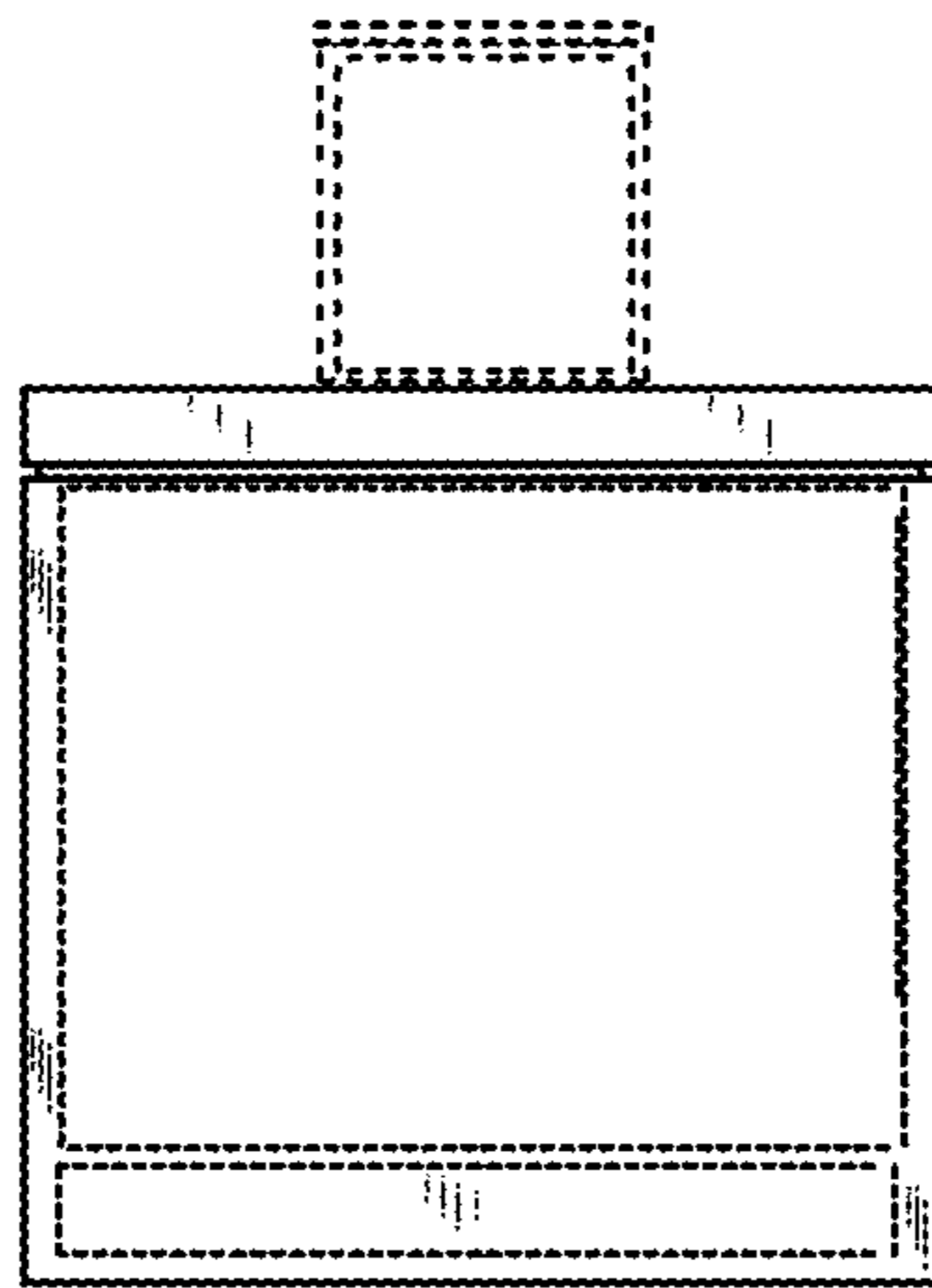


FIG. 5

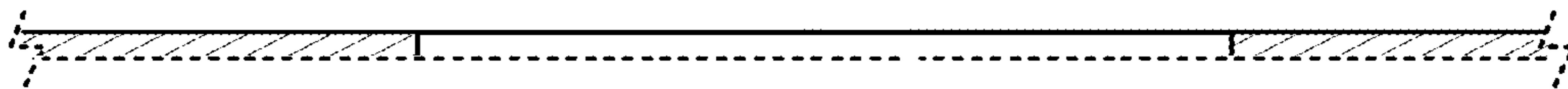


FIG. 6

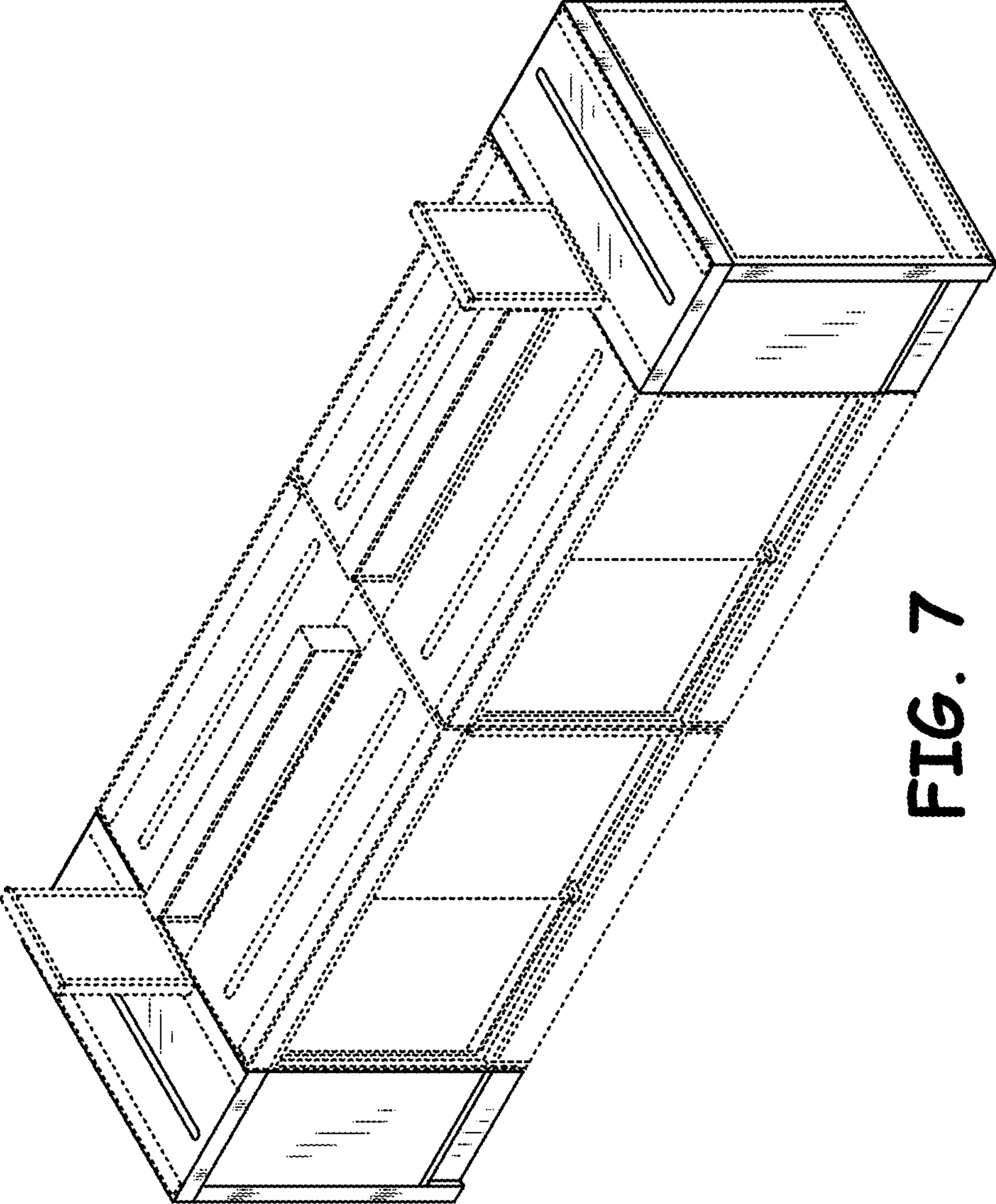


FIG. 7

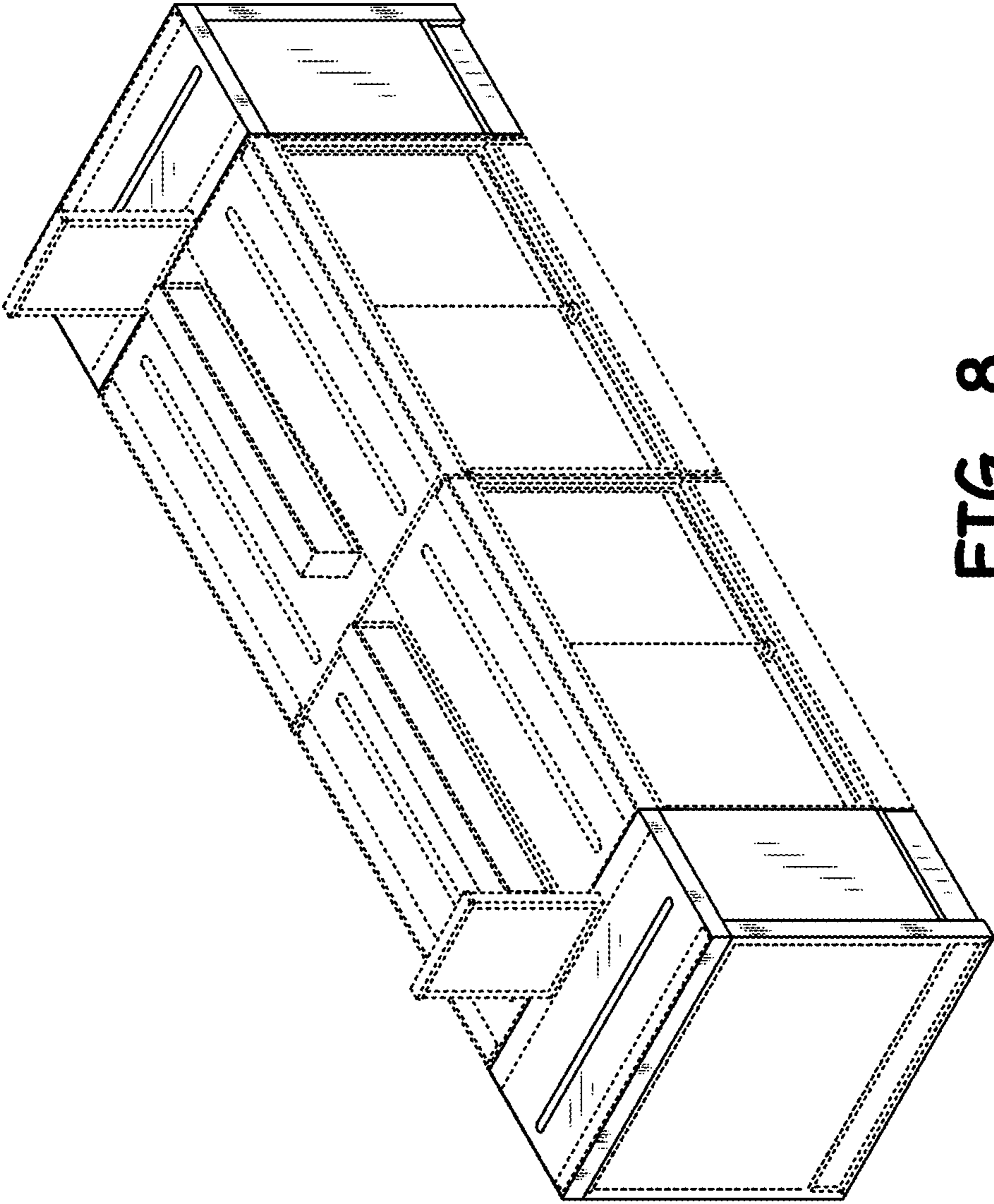


FIG. 8

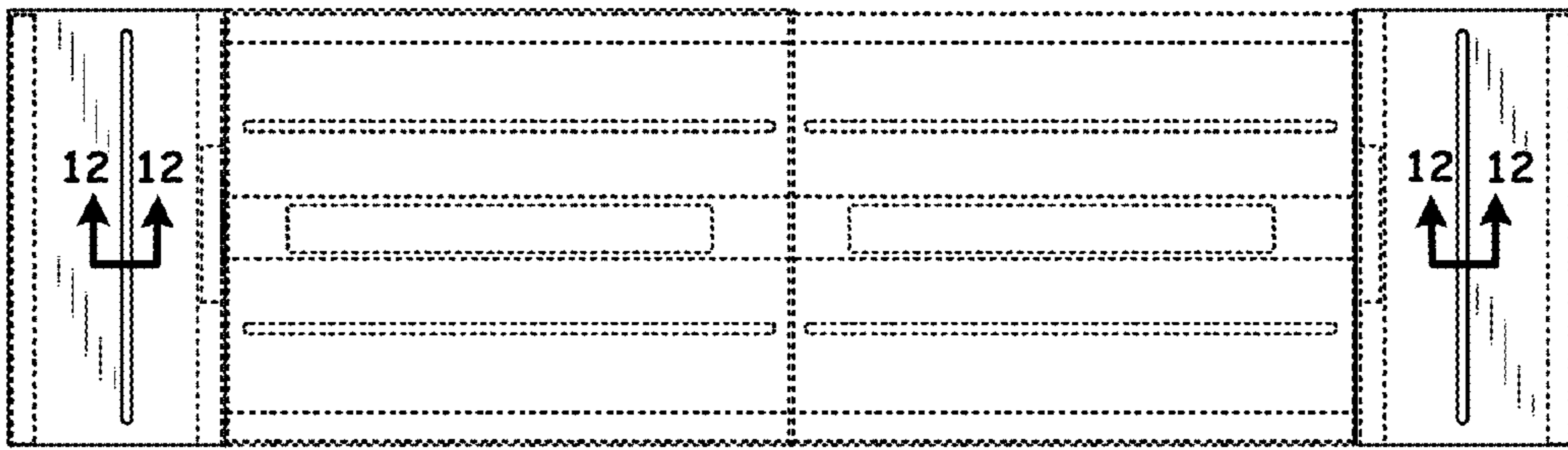


FIG. 9

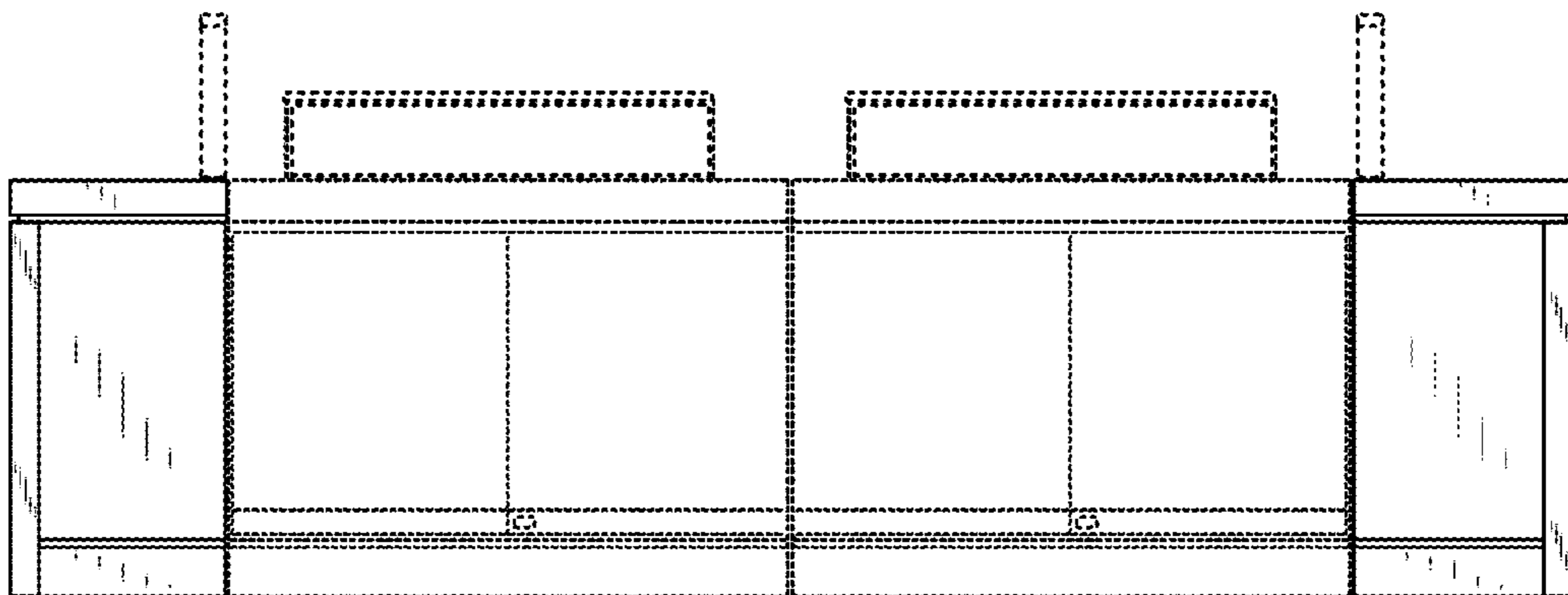


FIG. 10

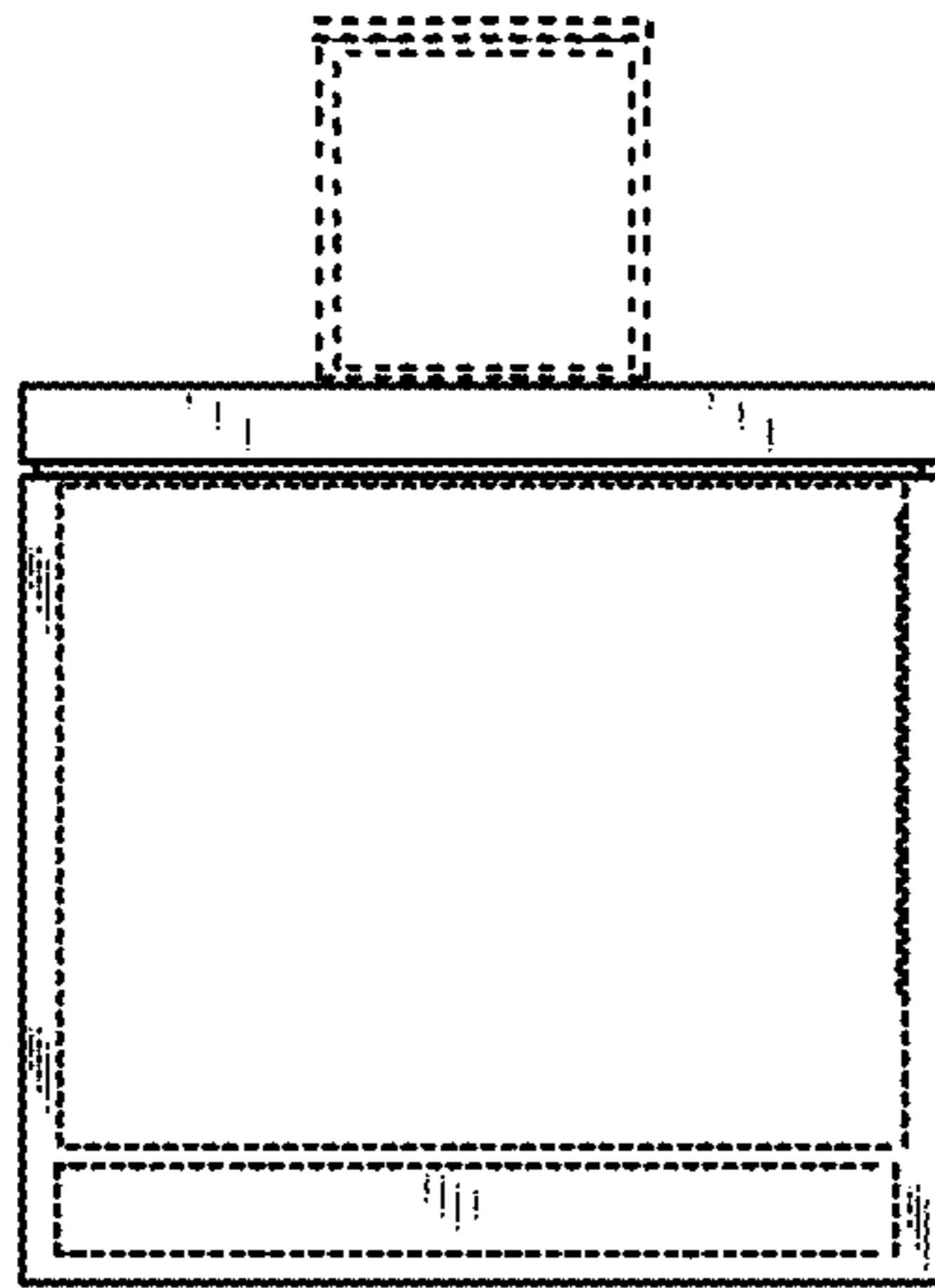


FIG. 11

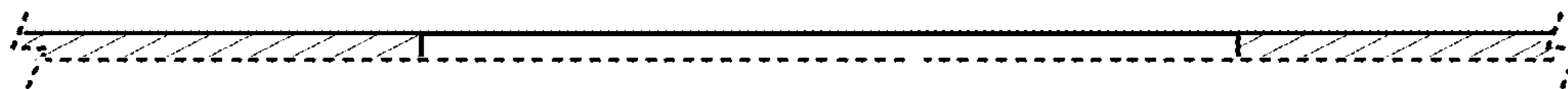


FIG. 12

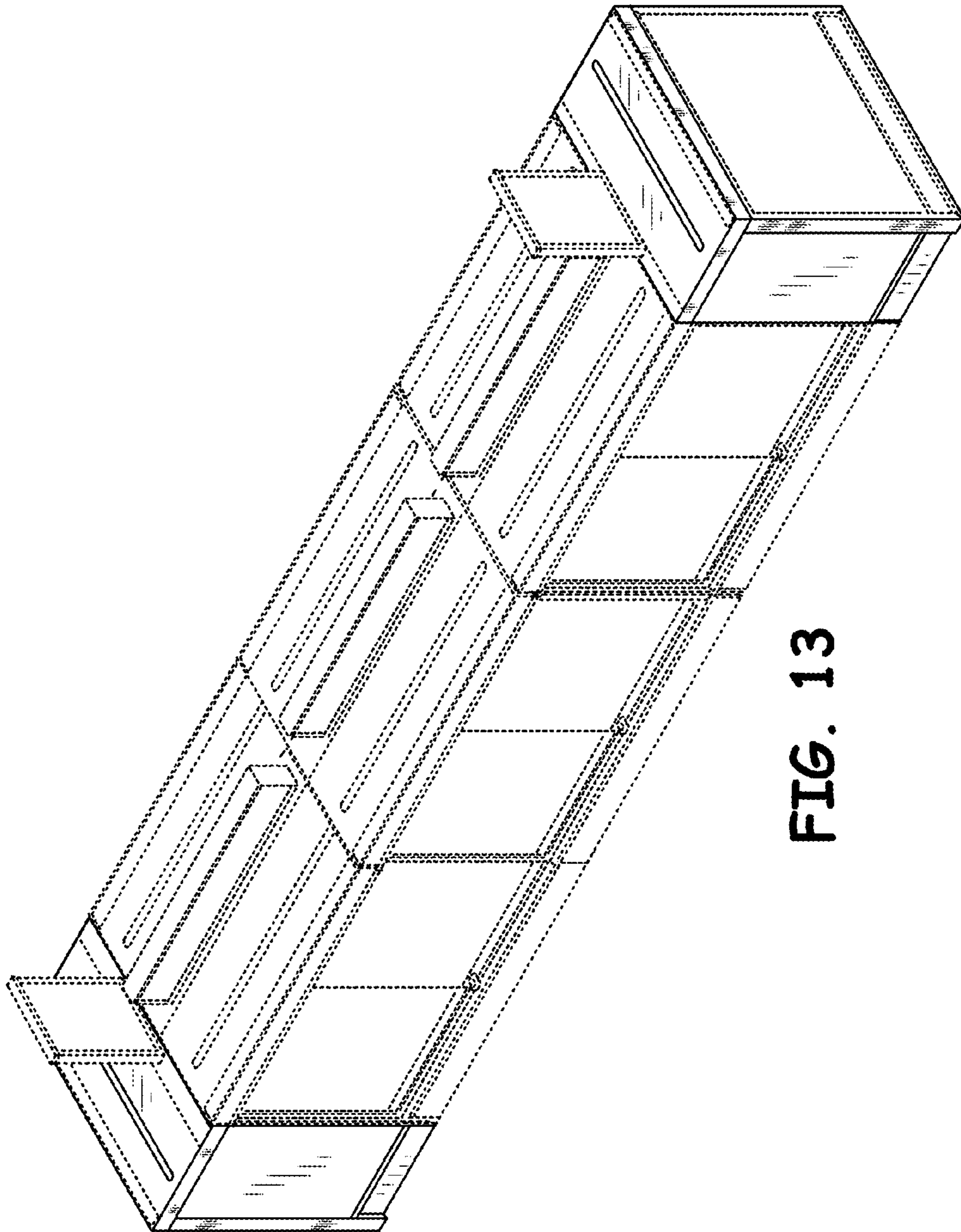


FIG. 13

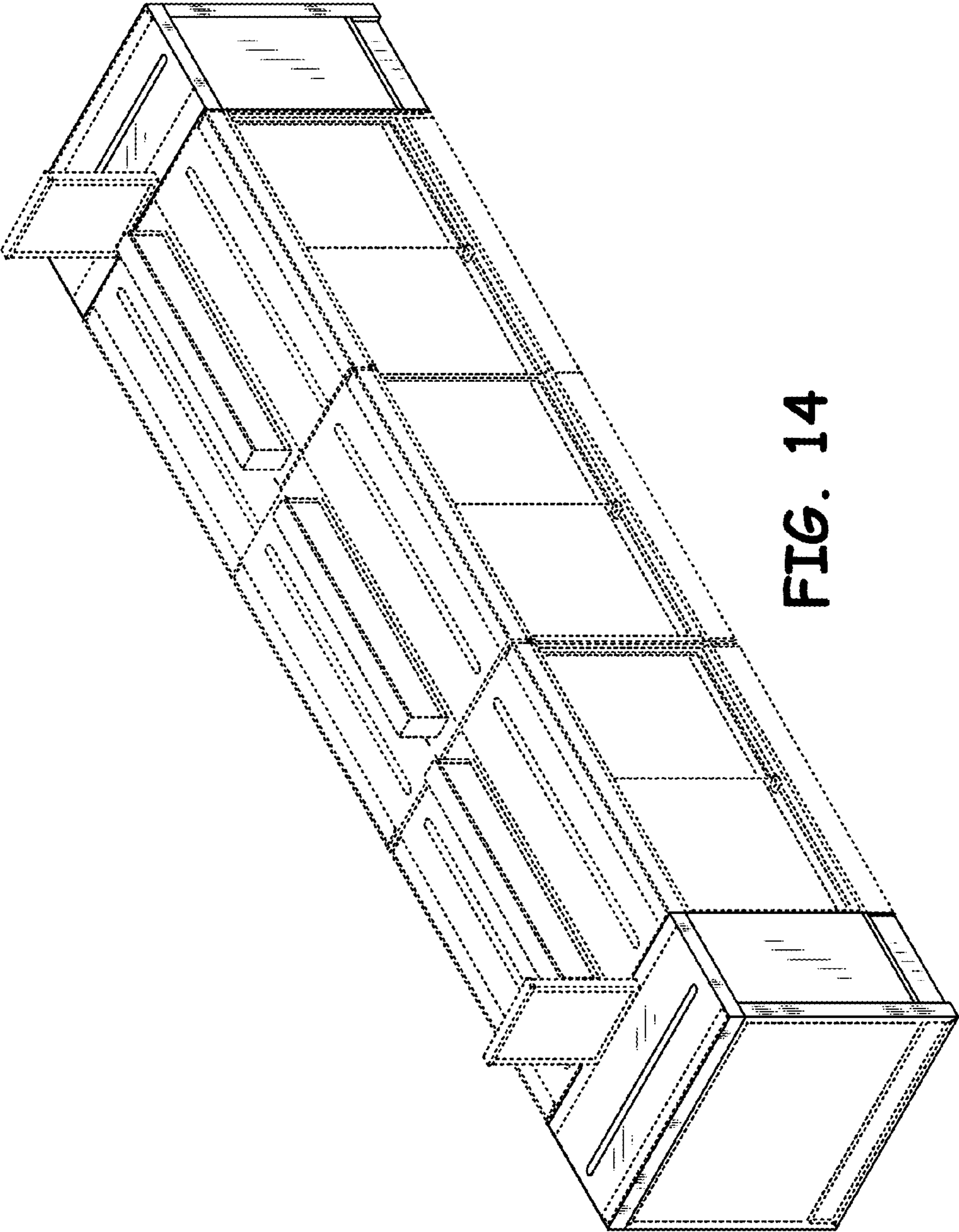


FIG. 14

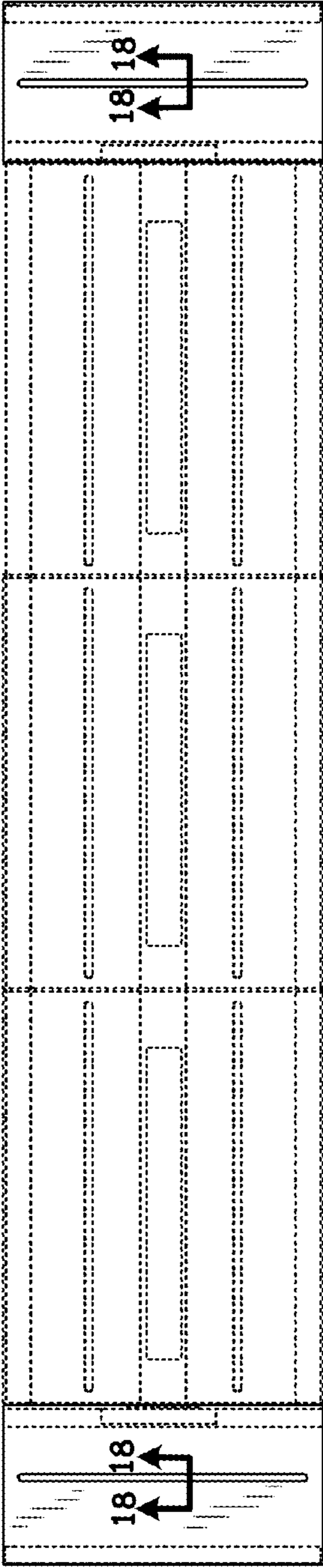


FIG. 15

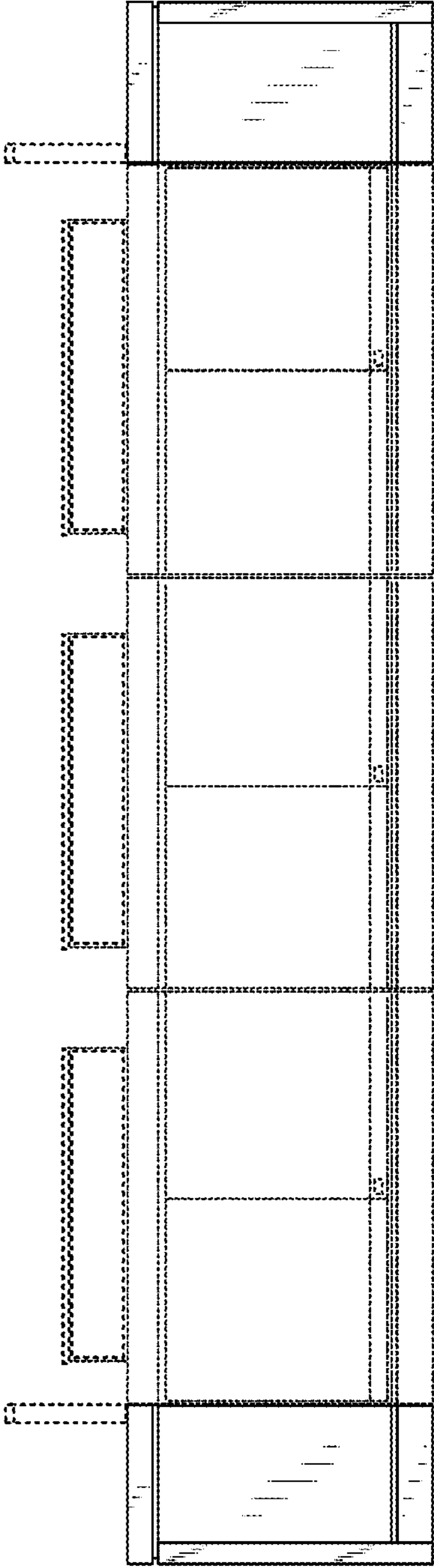


FIG. 16

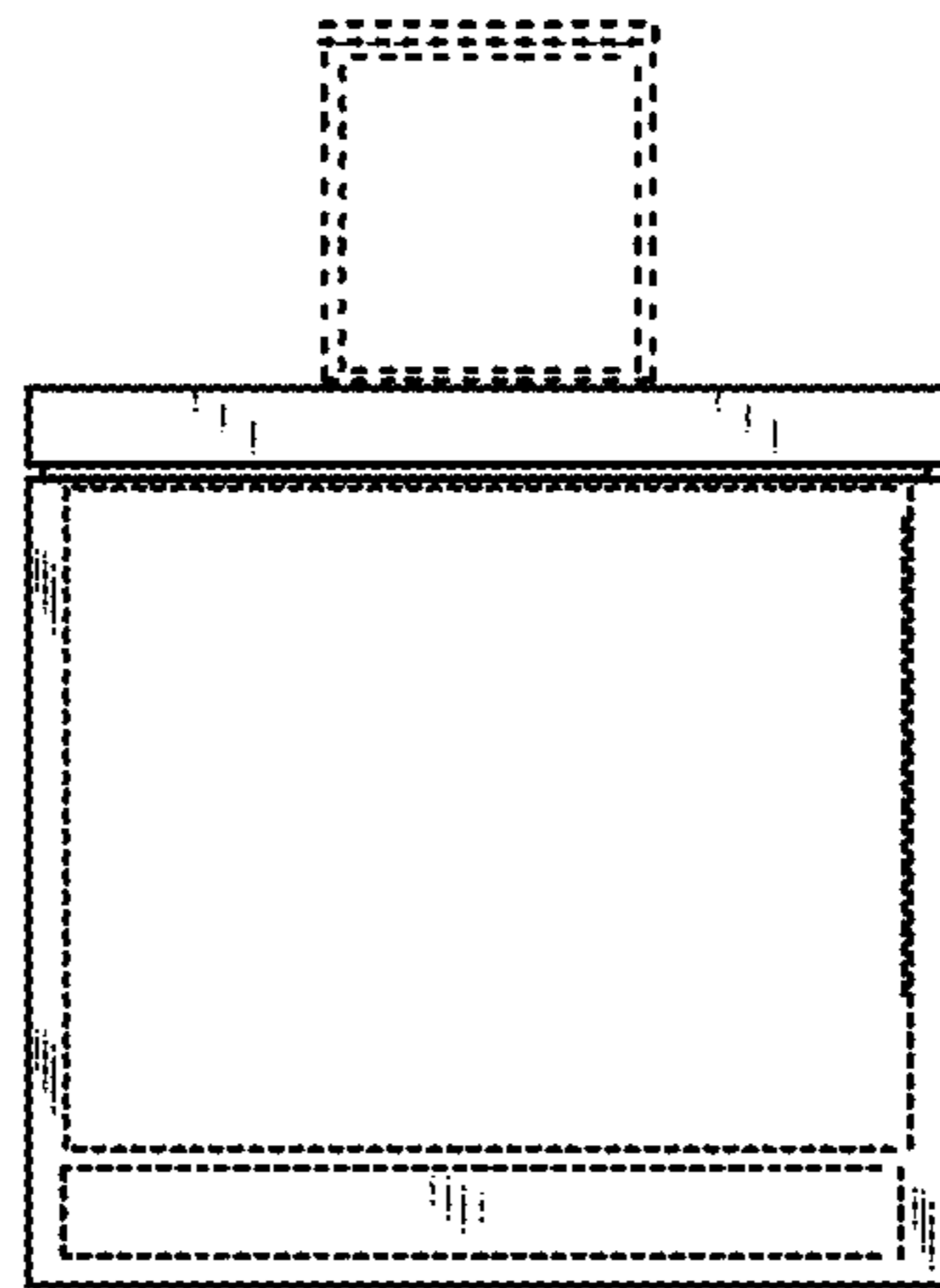


FIG. 17

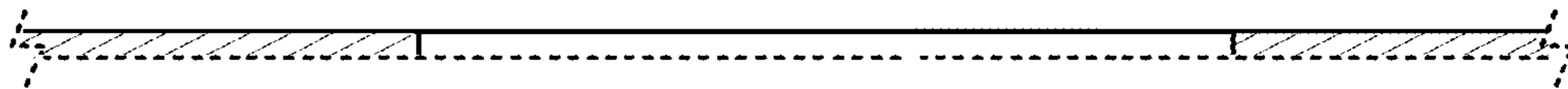


FIG. 18