



US00D741093S

(12) **United States Design Patent**
McKinney et al.

(10) **Patent No.:** **US D741,093 S**
(45) **Date of Patent:** **** Oct. 20, 2015**

(54) **DISPLAY STAND FOR AN ITEM OF MERCHANDISE**

(71) Applicant: **InVue Security Products Inc.,**
Charlotte, NC (US)

(72) Inventors: **Larry T. McKinney**, Huntersville, NC (US); **Robert Bisesti**, Charlotte, NC (US)

(73) Assignee: **InVue Security Products Inc.,**
Charlotte, NC (US)

(**) Term: **14 Years**

(21) Appl. No.: **29/470,083**

(22) Filed: **Oct. 17, 2013**

(51) **LOC (10) Cl.** **06-06**

(52) **U.S. Cl.**
USPC **D6/677**

(58) **Field of Classification Search**
USPC D6/396-397, 408-409, 449-450, D6/454-469, 672, 677; 211/13.1, 24, 26, 211/27, 44, 50-53, 59.2-59.3, 70, 70.1, 211/71.01, 85.2, 163, 183; D14/447; 248/121, 125.8, 125.9, 176.1
CPC A47F 5/02; A47F 5/06
See application file for complete search history.

(56) **References Cited**

U.S. PATENT DOCUMENTS

D244,857 S * 6/1977 Hayes D24/166
D409,018 S * 5/1999 Deuschle D6/466
D545,826 S * 7/2007 Richter D14/447
D645,047 S * 9/2011 Wike D14/447
D663,972 S 7/2012 Alexander et al.
D693,353 S * 11/2013 Shu et al. D14/447

D696,259 S * 12/2013 Howarth et al. D14/447
D712,473 S * 9/2014 Andochick D19/81
D720,752 S * 1/2015 Bleads D14/420
D722,460 S * 2/2015 Shaw D6/677
D725,971 S * 4/2015 Farhat D7/622
D726,955 S * 4/2015 Martin D27/172
2007/0145210 A1 * 6/2007 Fawcett et al. 248/176.1
2011/0047844 A1 * 3/2011 Fawcett et al. 40/642.02
2011/0114804 A1 * 5/2011 Liu et al. 248/121
2011/0227735 A1 * 9/2011 Fawcett et al. 340/568.8
2012/0205326 A1 8/2012 Richter et al.

FOREIGN PATENT DOCUMENTS

JP 2013/003937 A 1/2013

* cited by examiner

Primary Examiner — Kelley Donnelly

(74) *Attorney, Agent, or Firm* — InVue Security Products Inc.

(57) **CLAIM**

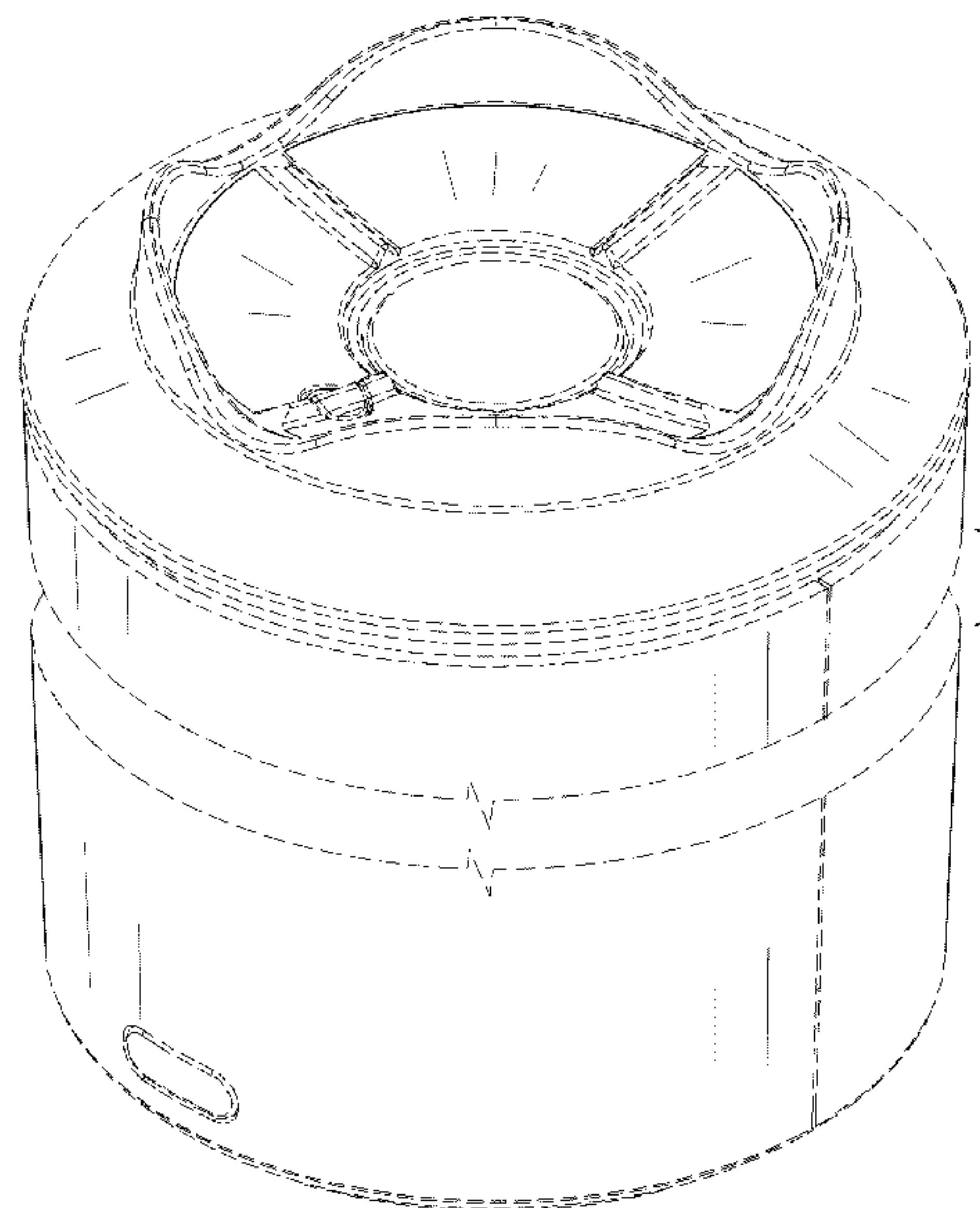
We claim the ornamental design for a display stand for an item of merchandise, as shown and described.

DESCRIPTION

FIG. 1 is a perspective view of an embodiment of a display stand for an item of merchandise showing our design; FIG. 2 is a front view thereof; FIG. 3 is a rear view thereof; FIG. 4 is left side view thereof; FIG. 5 is right side view thereof; FIG. 6 is a top view thereof; and, FIG. 7 is a bottom view thereof.

The broken lines are directed to environment and are for illustrative purposes only. The broken lines form no part of the claimed design.

1 Claim, 7 Drawing Sheets



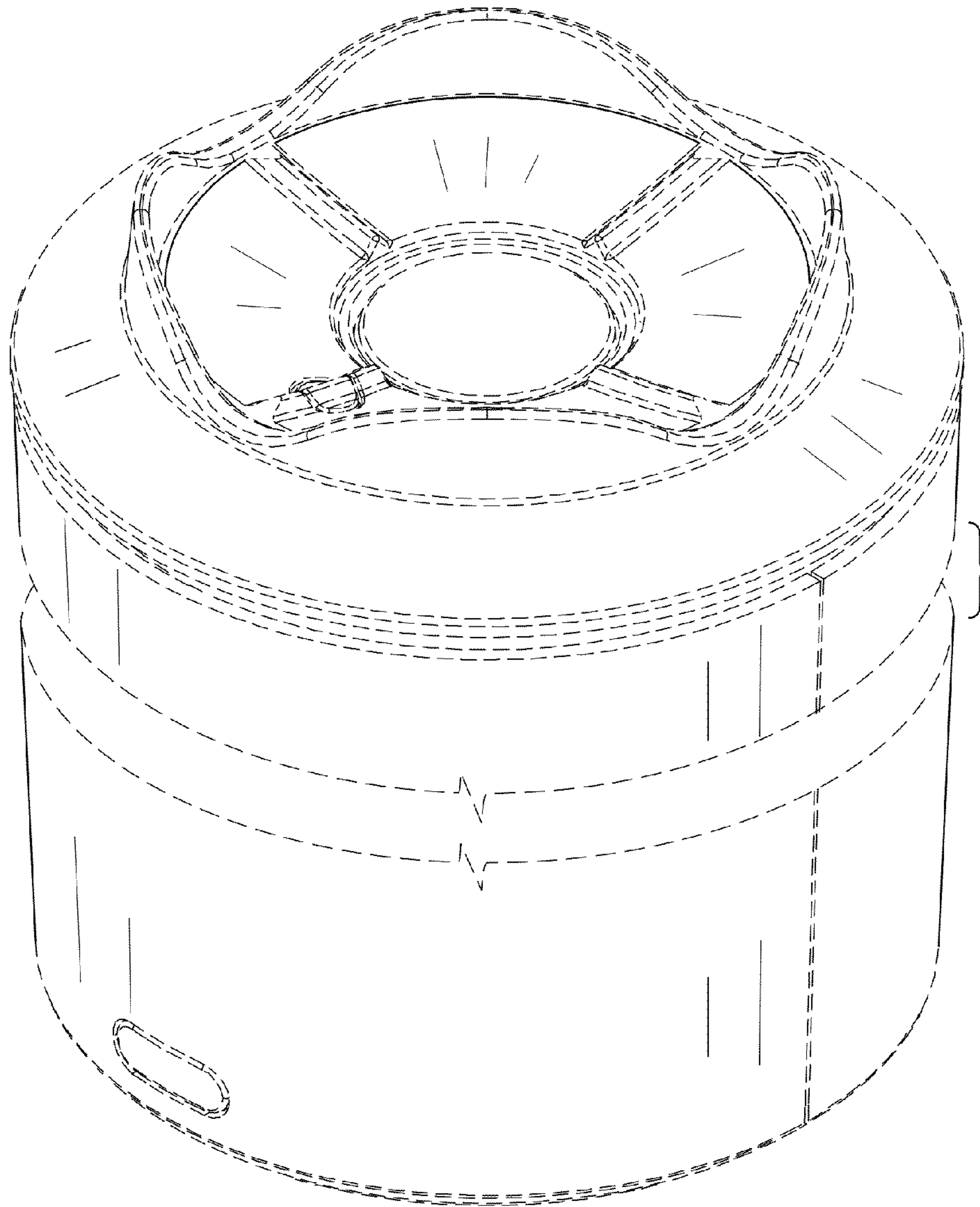


FIG. 1

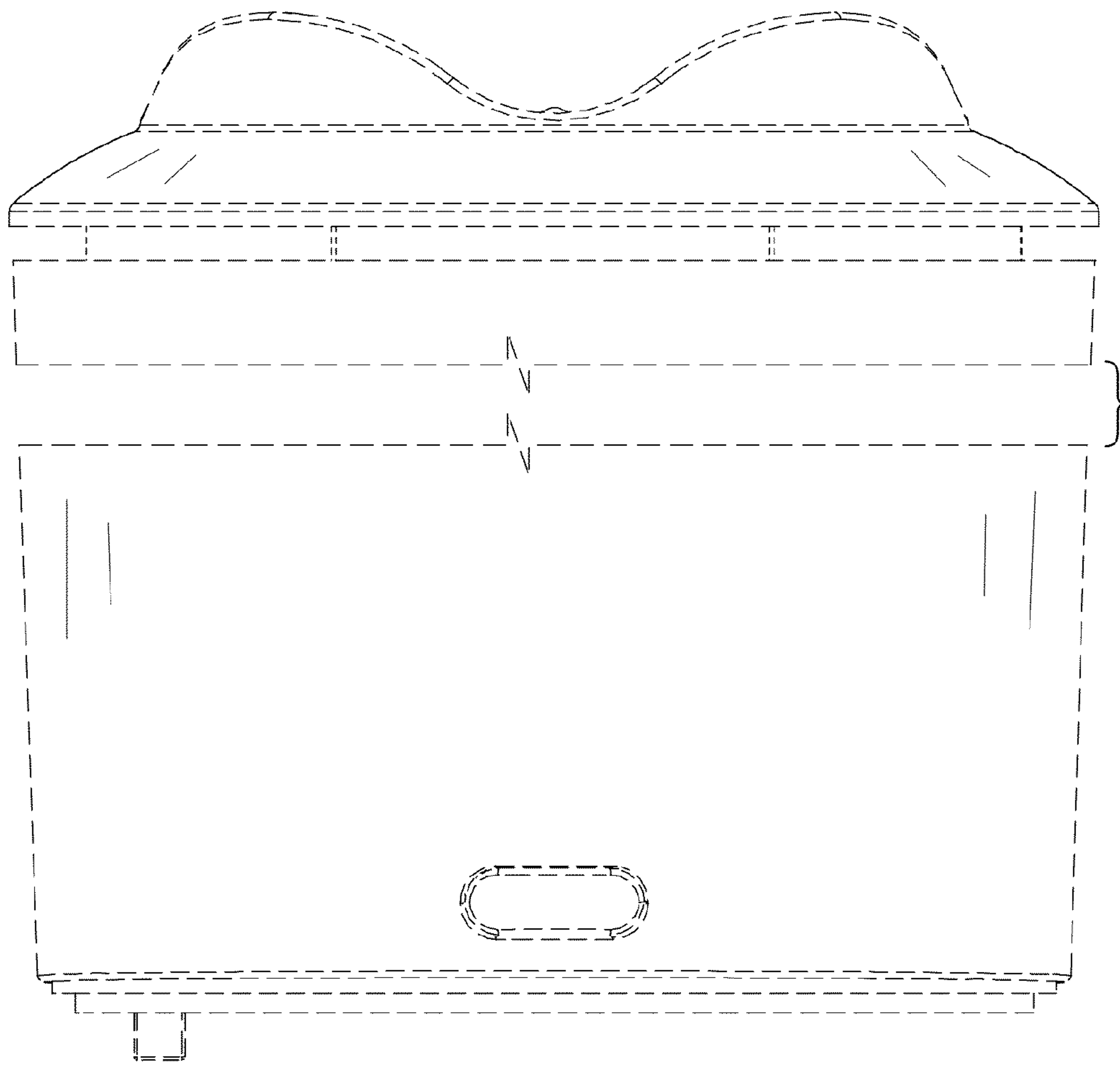


FIG. 2

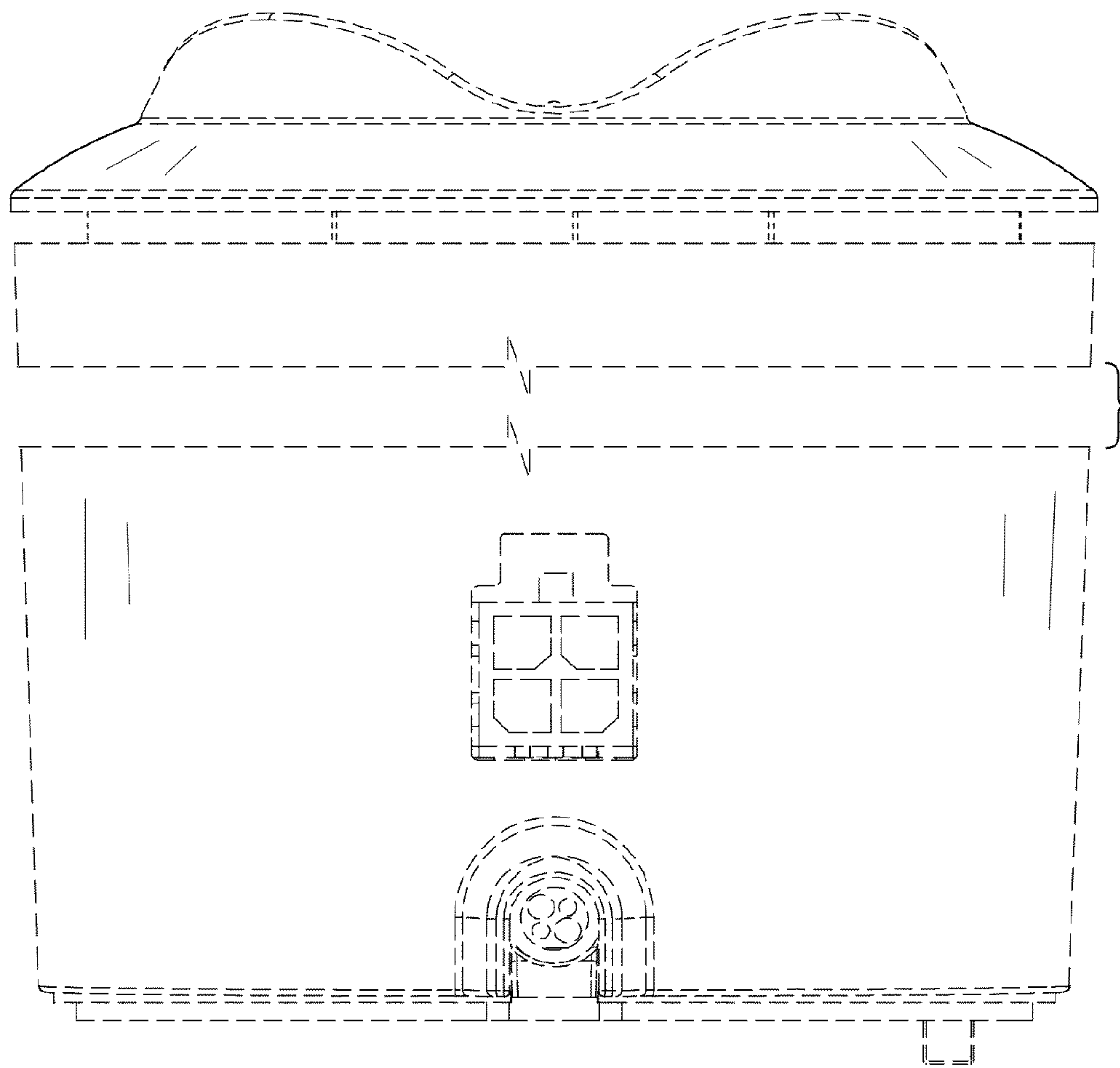


FIG. 3

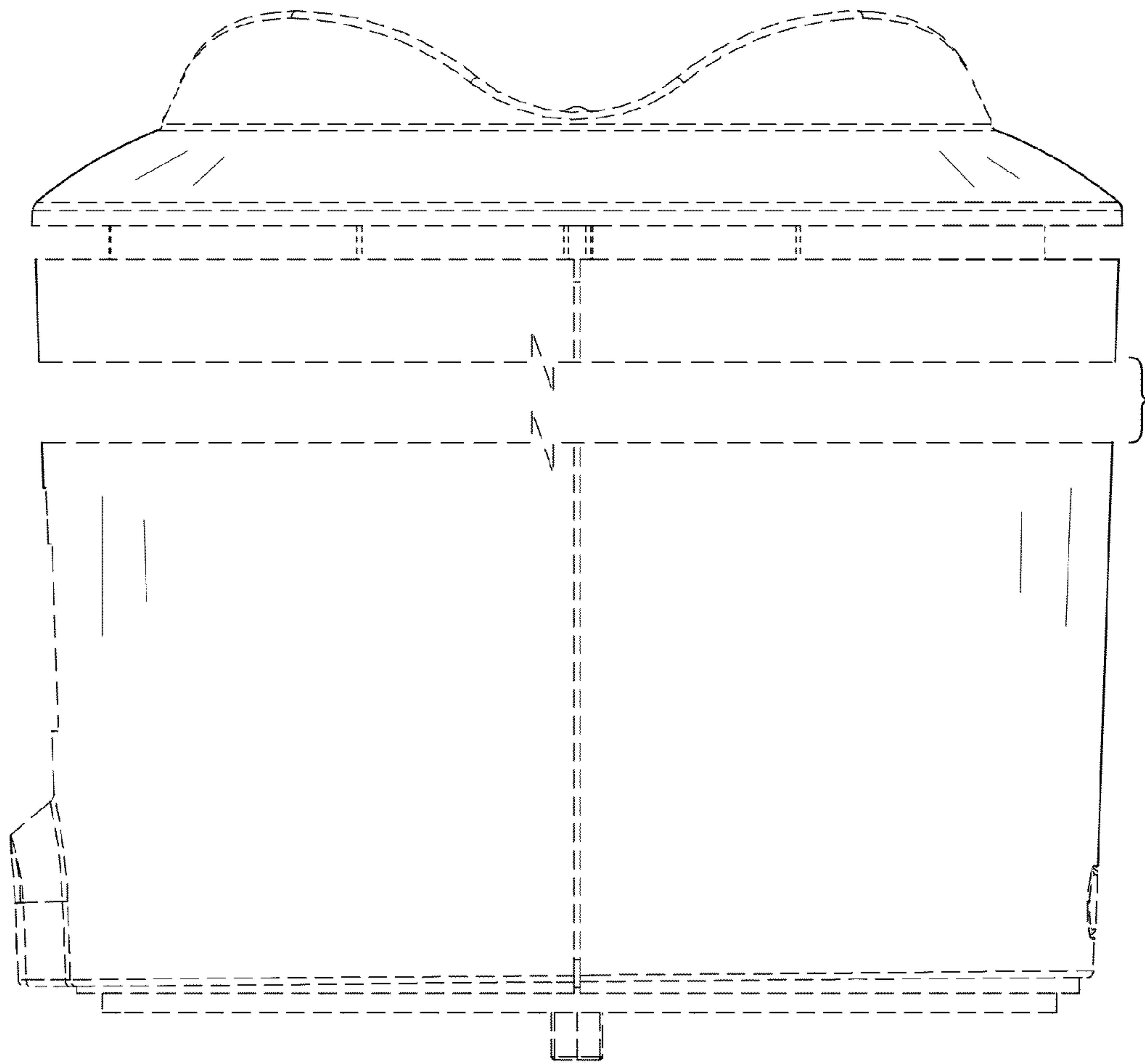


FIG. 4

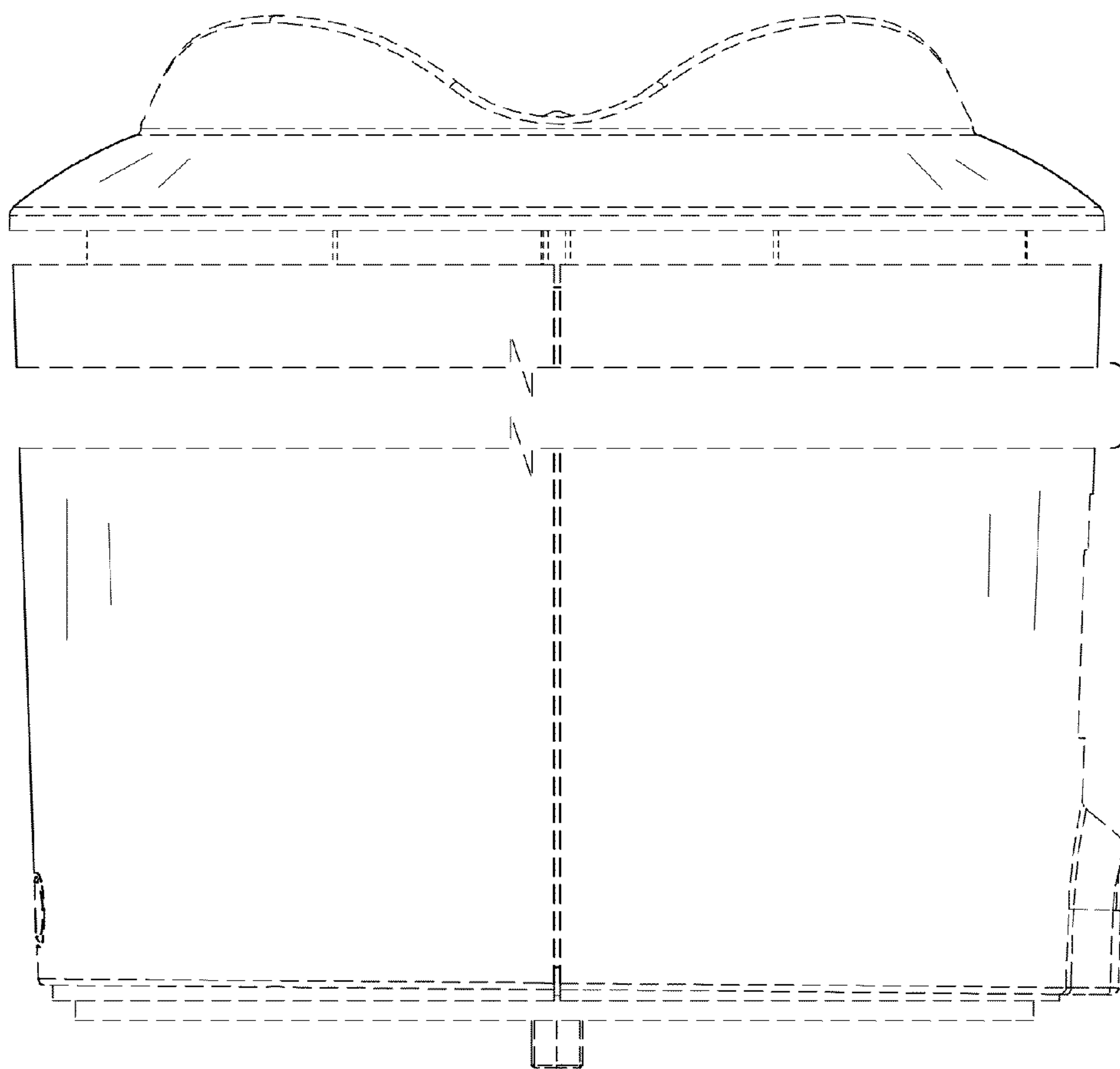


FIG. 5

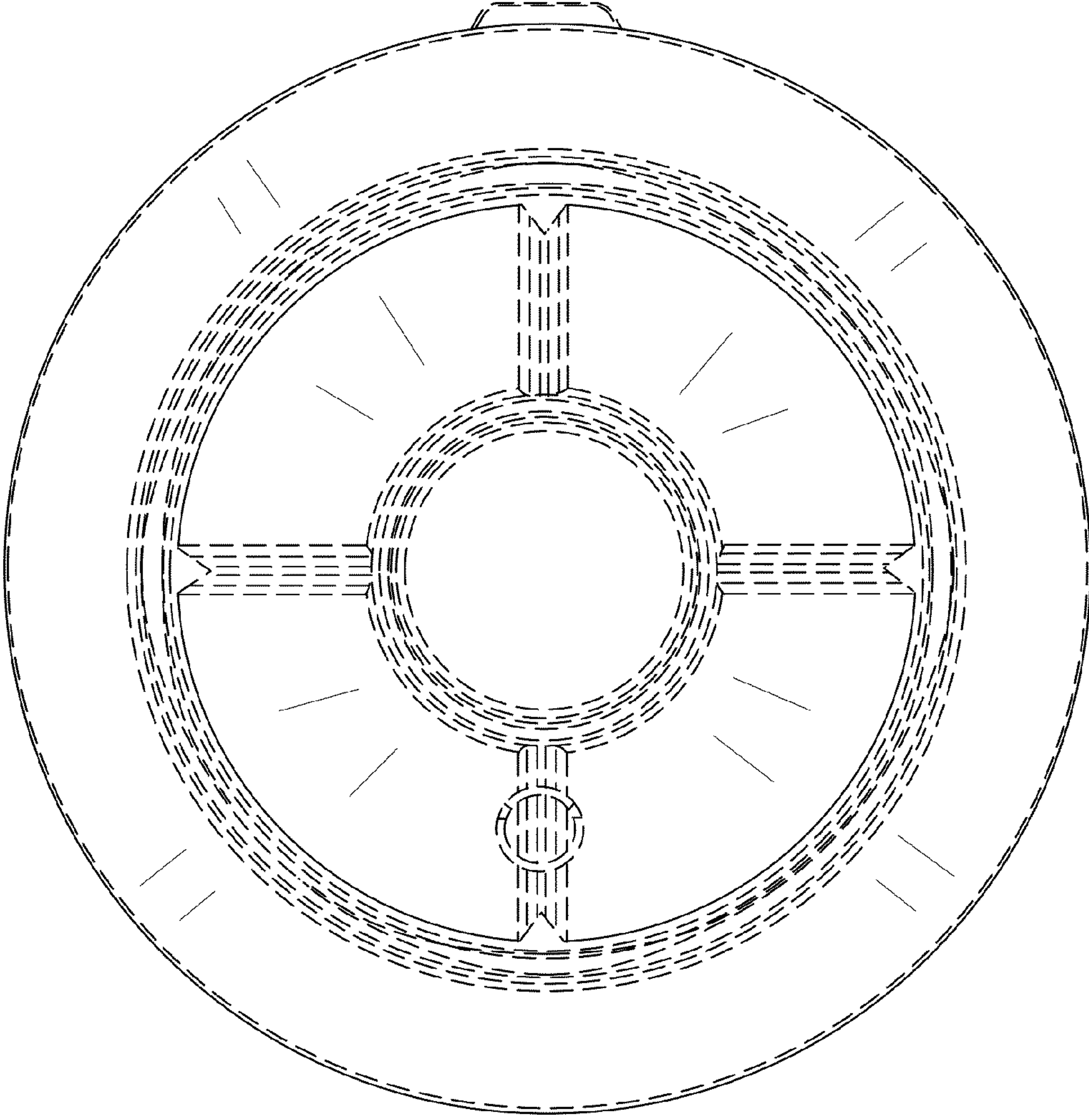


FIG. 6

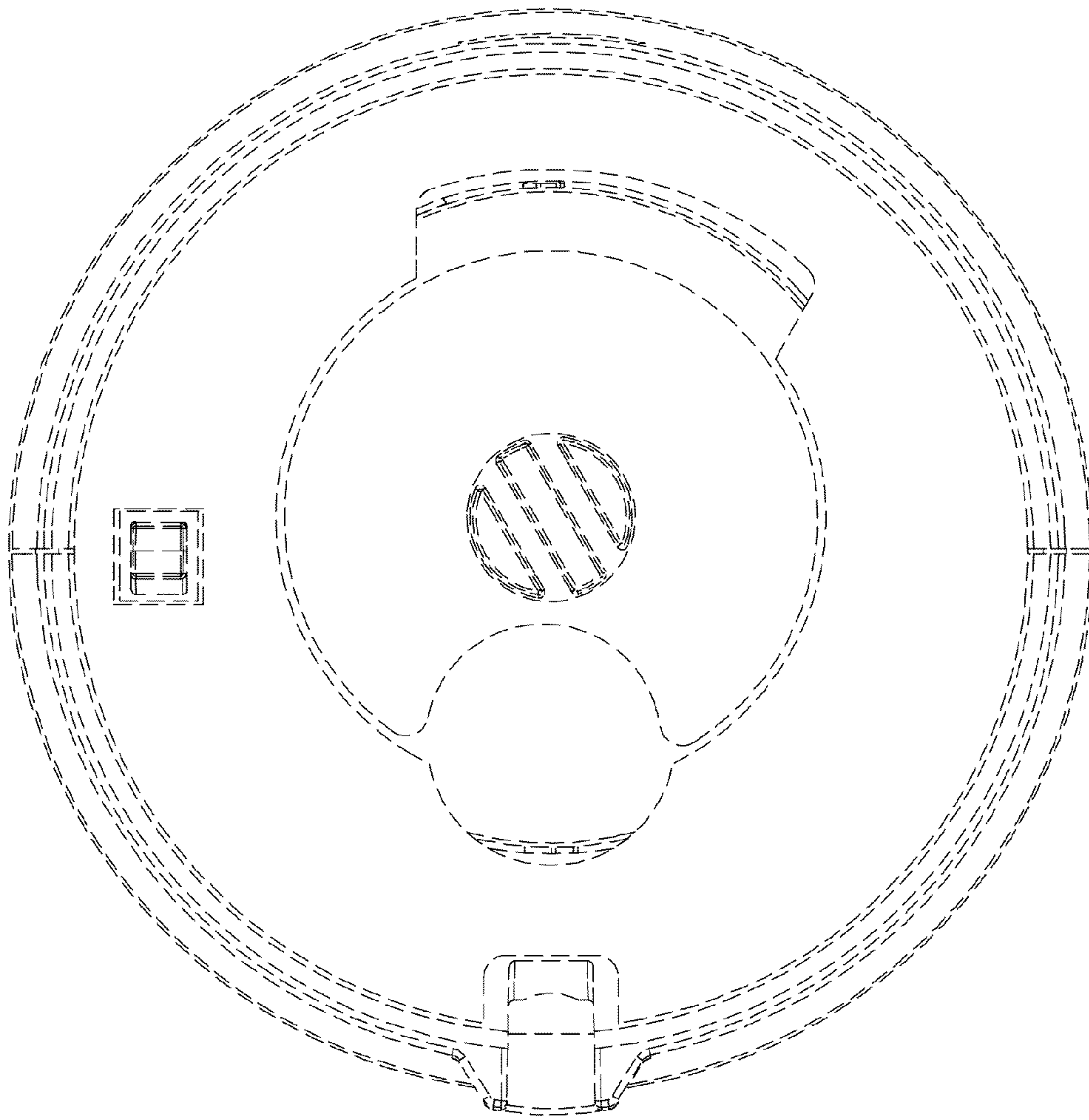


FIG. 7