



US00D741092S

(12) **United States Design Patent**
Goodman et al.

(10) **Patent No.:** **US D741,092 S**
(45) **Date of Patent:** **** Oct. 20, 2015**

(54) **CORNER SHELF**

(71) Applicant: **Spectrum Diversified Designs, Inc.**,
Streetsboro, OH (US)

(72) Inventors: **Sheldon H. Goodman**, Solon, OH (US);
Phaysouk Xayoiphonh, Akron, OH
(US)

(73) Assignee: **Spectrum Diversified Designs, Inc.**,
Streetsboro, OH (US)

(**) Term: **14 Years**

(21) Appl. No.: **29/494,894**

(22) Filed: **Jun. 25, 2014**

(51) **LOC (10) Cl.** **06-06**

(52) **U.S. Cl.**

USPC **D6/676.5**

(58) **Field of Classification Search**

USPC D6/396, 449, 462, 491–492, 509–511,
D6/672, 676, 676.5; 108/153.1, 155–156,
108/157.1, 150, 161; 248/188, 188.1
CPC ... A47F 5/0031; A47F 5/0807; A47B 96/022;
A47B 96/02

See application file for complete search history.

(56) **References Cited**

U.S. PATENT DOCUMENTS

2,710,733 A * 6/1955 Phillips 248/431
D267,211 S * 12/1982 Farrell D6/352
D280,164 S * 8/1985 Berry, Jr. D6/693.1
D285,036 S * 8/1986 Gilchrist et al. D7/554.1
D316,345 S * 4/1991 Mo Yau Kee D6/676.2

D352,409 S * 11/1994 Hosoe D6/650
D407,251 S * 3/1999 Hampshire D6/540
D444,017 S * 6/2001 Walker D6/562
D488,647 S * 4/2004 Ford et al. D6/696
6,722,042 B1 * 4/2004 Naville et al. 30/280
D536,873 S * 2/2007 Thorsteinsson et al. D3/306
D540,072 S * 4/2007 Steinman D6/693.1
D585,670 S * 2/2009 Gharabegian D6/693
D723,310 S * 3/2015 Goodman et al. D6/676.5

* cited by examiner

Primary Examiner — Kelley Donnelly

(74) *Attorney, Agent, or Firm* — Benesch Friedlander
Coplan & Aronoff LLP

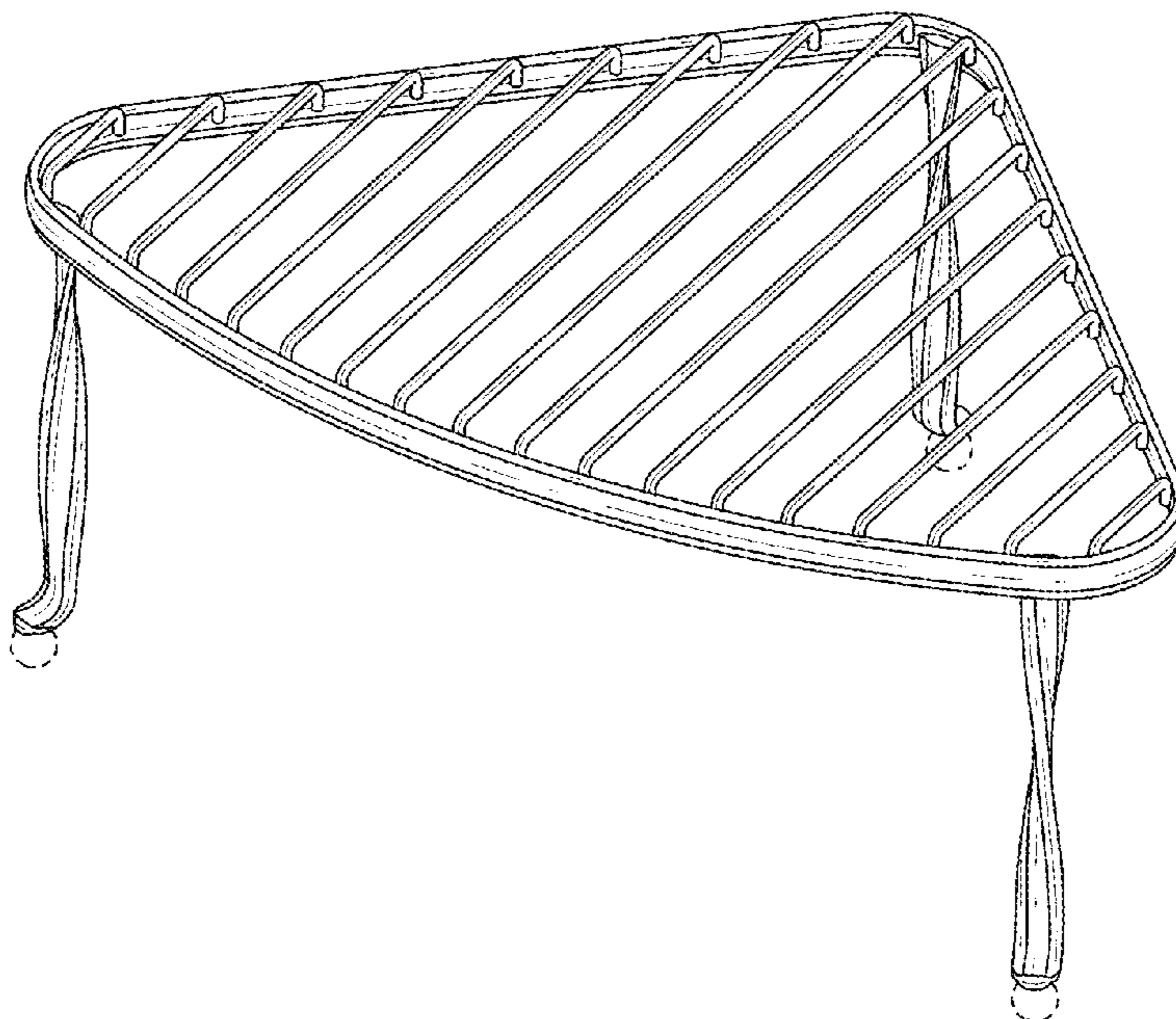
(57) **CLAIM**

What is claimed is the ornamental design for a corner shelf, as
shown and described.

DESCRIPTION

FIG. 1 is a perspective view of a corner shelf showing a new
design;
FIG. 2 is a front view of the corner shelf of FIG. 1;
FIG. 3 is a side view of the corner shelf of FIG. 1;
FIG. 4 is a cross-sectional view taken along line 4-4 of FIG. 3;
FIG. 5 is a top view of the corner shelf of FIG. 1;
FIG. 6 is a bottom side view of the corner shelf of FIG. 1;
FIG. 7 is a perspective view of another embodiment of the
corner shelf of FIG. 1; and,
FIG. 8 is a cross-sectional view taken along line 8-8 of FIG. 7.
The components of the display shown in broken lines illus-
trate portions of the corner shelf form no part of the claimed
design.

1 Claim, 4 Drawing Sheets



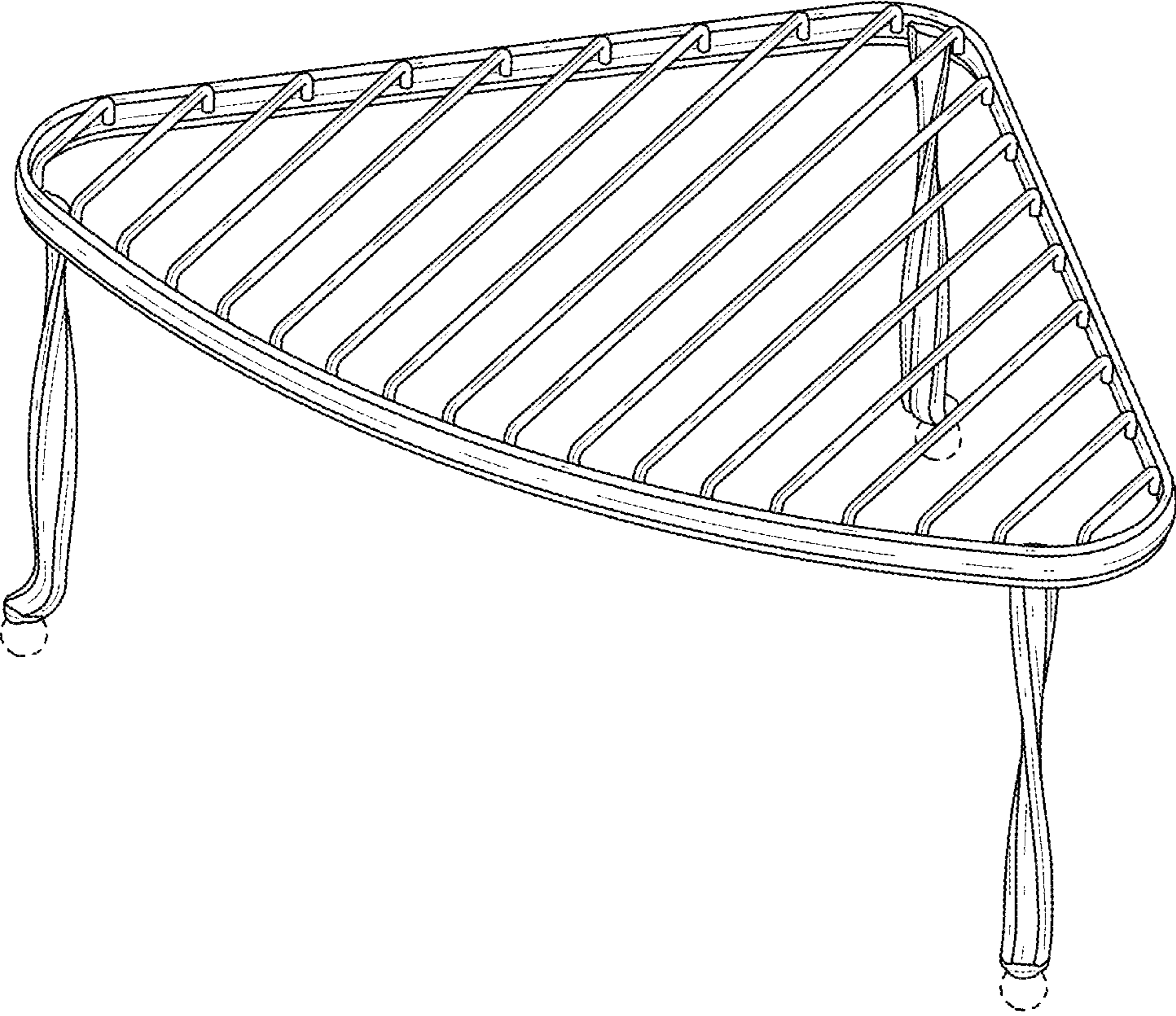


FIG. 1

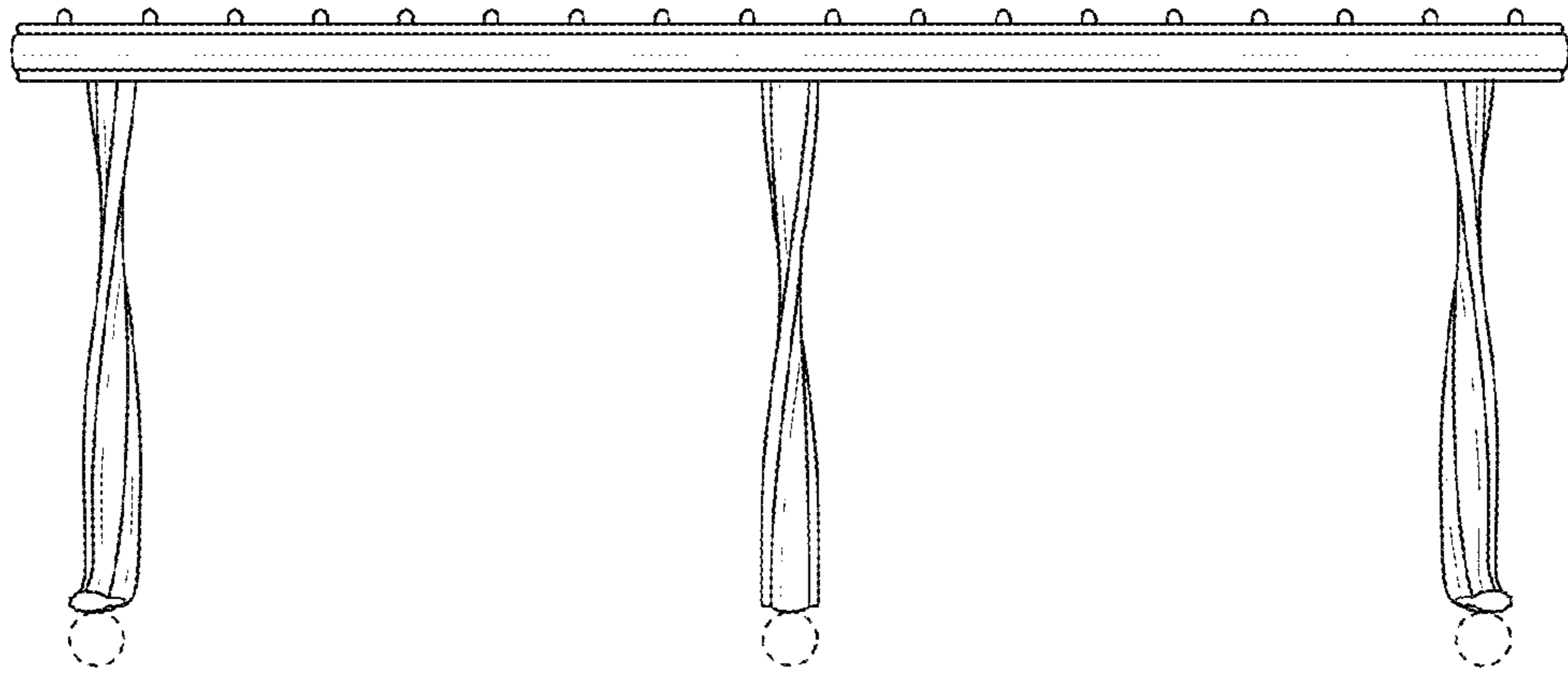


FIG. 2

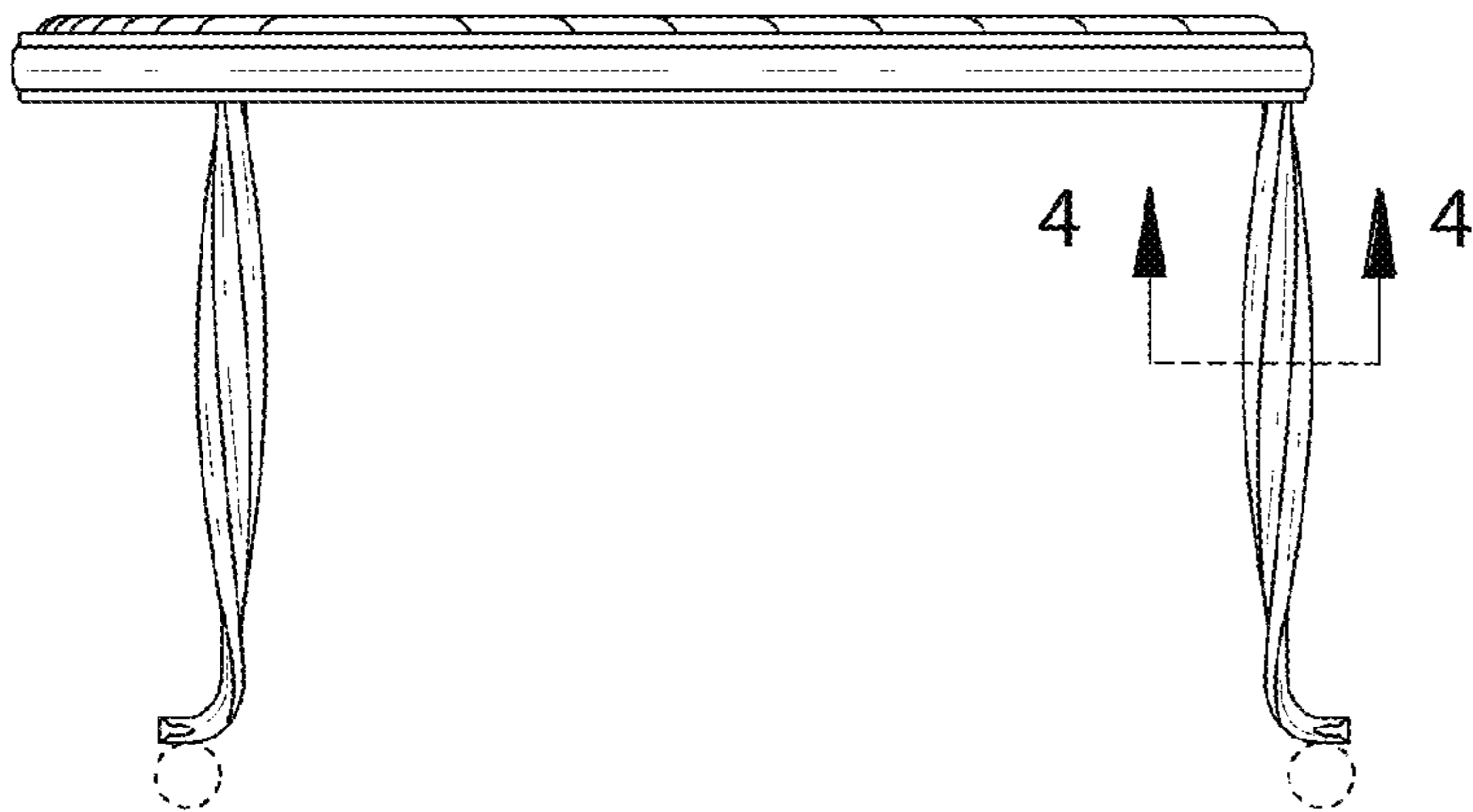


FIG. 3

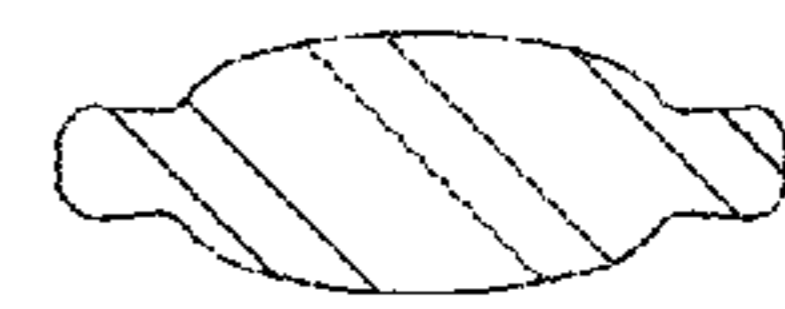


FIG. 4

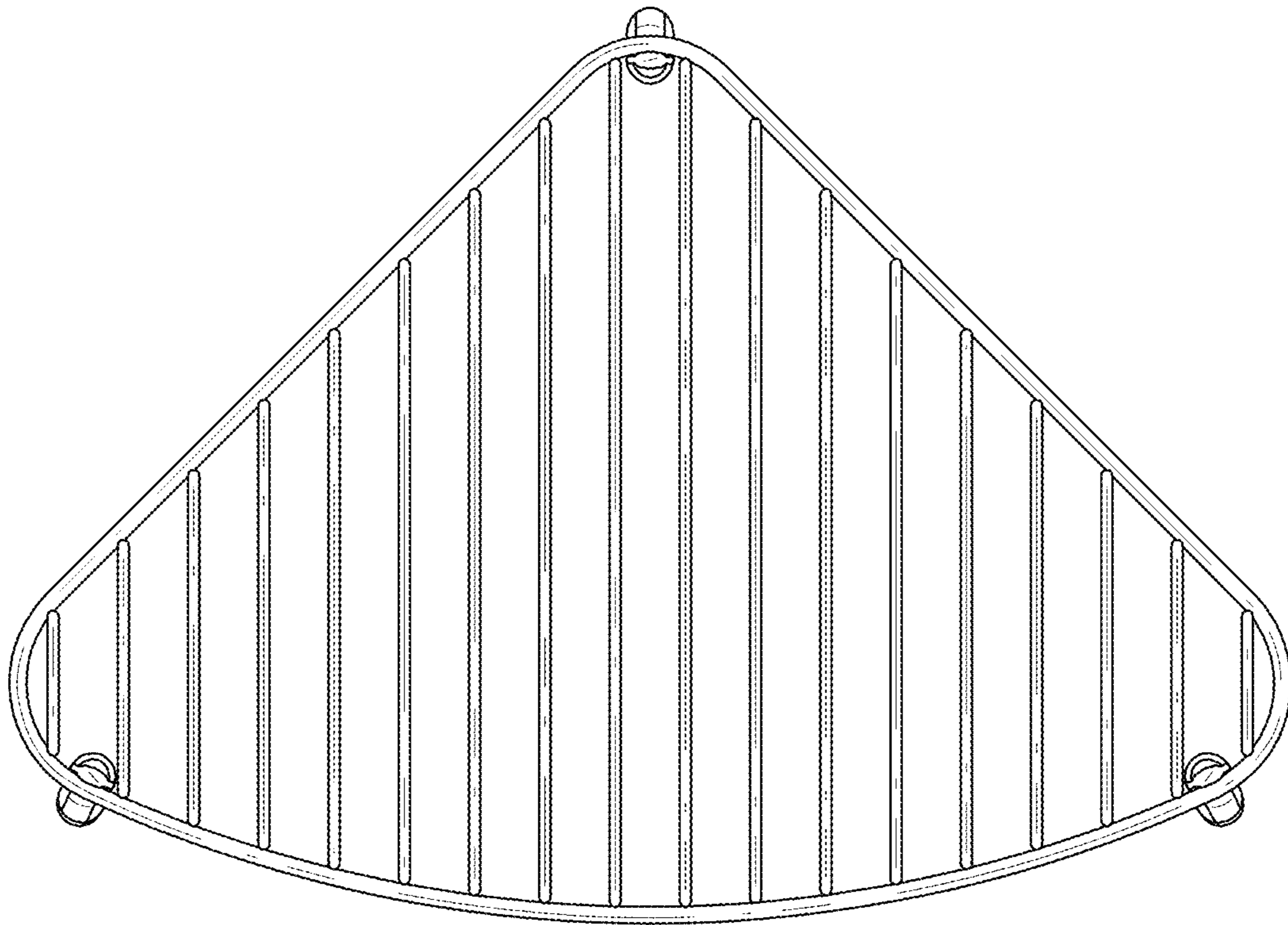


FIG. 5

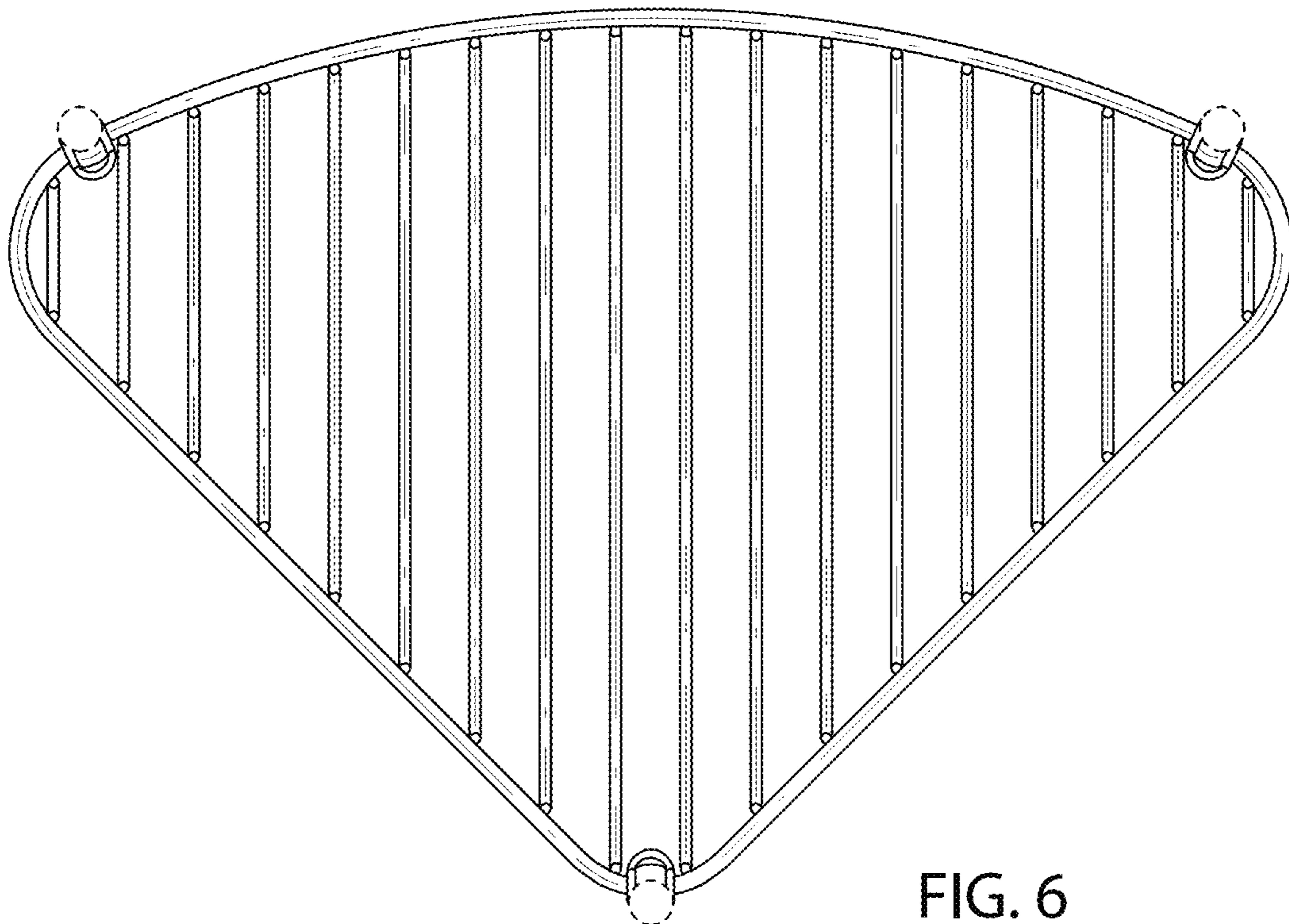


FIG. 6

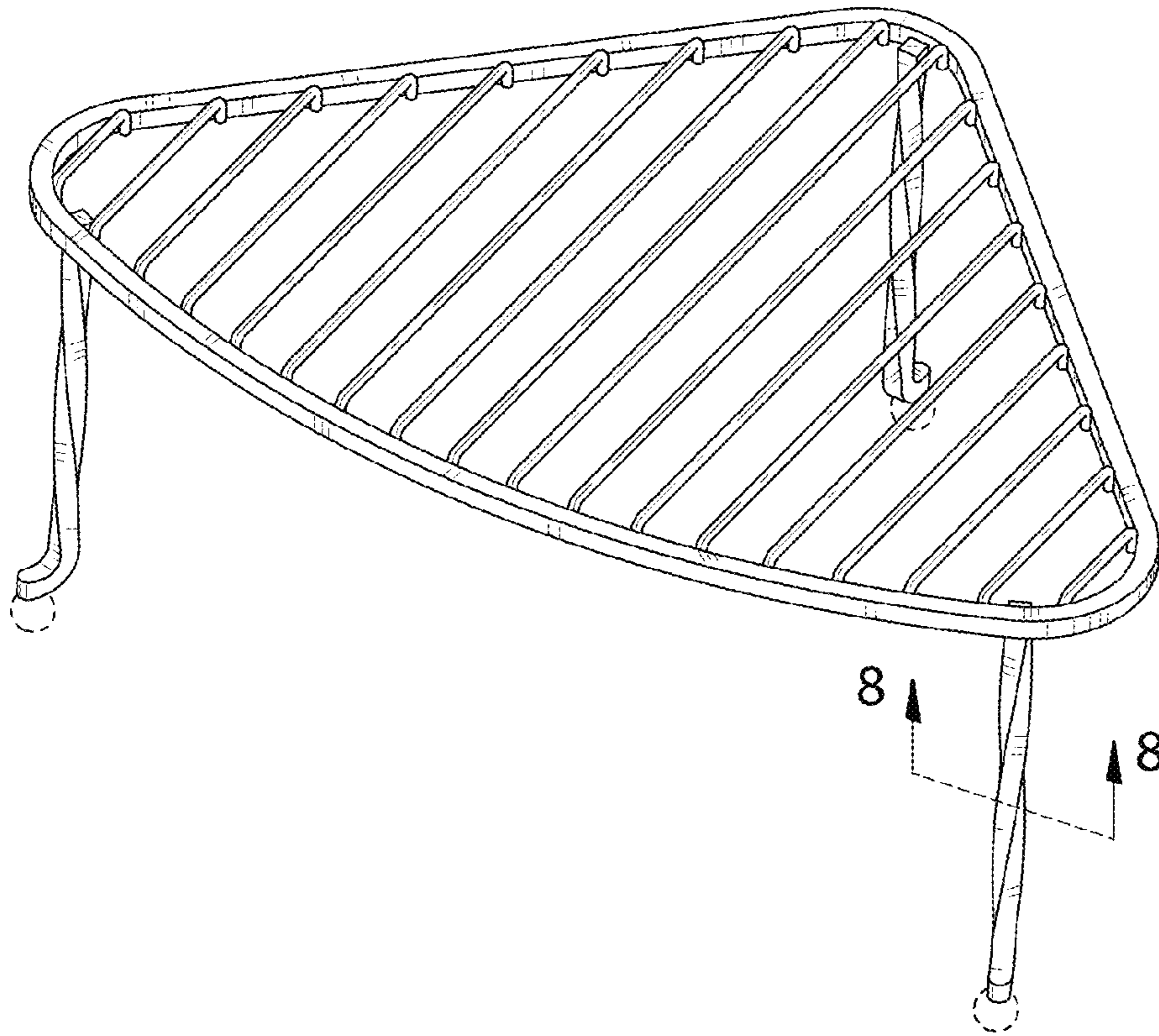


FIG. 7

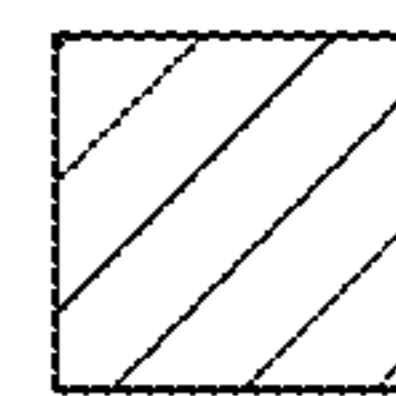


FIG. 8