



US00D741091S

(12) **United States Design Patent**  
**Tio et al.**

(10) **Patent No.:** **US D741,091 S**

(45) **Date of Patent:** **\*\* \*Oct. 20, 2015**

(54) **DISPLAY STRUCTURE**

(71) Applicant: **Apple Inc.**, Cupertino, CA (US)

(72) Inventors: **Federico F. Tio**, Santa Cruz, CA (US);  
**Frank Craig Thaler**, Santa Cruz, CA  
(US); **Kevin Fenton Smeds**, San  
Francisco, CA (US); **Chahe Demian**,  
Cupertino, CA (US); **Wesley Bryan**  
**Hamm**, San Francisco, CA (US)

(73) Assignee: **Apple Inc.**, Cupertino, CA (US)

(\*) Notice: This patent is subject to a terminal dis-  
claimer.

(\*\*) Term: **14 Years**

(21) Appl. No.: **29/521,227**

(22) Filed: **Mar. 20, 2015**

**Related U.S. Application Data**

(63) Continuation of application No. 29/469,978, filed on  
Oct. 16, 2013, now Pat. No. Des. 725,947.

(51) **LOC (10) Cl.** ..... **06-06**

(52) **U.S. Cl.**  
USPC ..... **D6/675**

(58) **Field of Classification Search**  
USPC ..... D6/468, 470, 473-479, 396-397,  
D6/432-436, 449-451, 672-673,  
D6/675-675.1; 211/42, 44-45, 48, 50,  
211/90.01, 133.1; 312/7.2, 9.1, 107-109,  
312/117-119, 278-279; 108/59, 108, 161  
CPC ..... A47F 5/003; A47F 5/08; A47F 5/16  
See application file for complete search history.

(56) **References Cited**

U.S. PATENT DOCUMENTS

D41,125 S *	1/1911	Klee .....	D6/310
D144,844 S	5/1945	Dunham	
D212,886 S *	12/1968	Gordon .....	D6/310
D218,325 S	8/1970	Sherman	
3,740,881 A *	6/1973	Finger .....	40/609
4,116,509 A	9/1978	Smith	
D250,868 S	1/1979	Ornatek	
4,144,664 A *	3/1979	De Korte .....	40/609
D262,664 S *	1/1982	Willits, Jr. ....	D6/308
D264,731 S *	6/1982	Shuman .....	D20/40
D274,203 S	6/1984	Everett	
D279,201 S *	6/1985	Shuman .....	D20/43
D321,100 S	10/1991	Dorrell	
D323,944 S	2/1992	Maas	

(Continued)

*Primary Examiner* — Kelley Donnelly

(74) *Attorney, Agent, or Firm* — Sterne, Kesler, Goldstein &  
Fox P.L.L.C.

(57) **CLAIM**

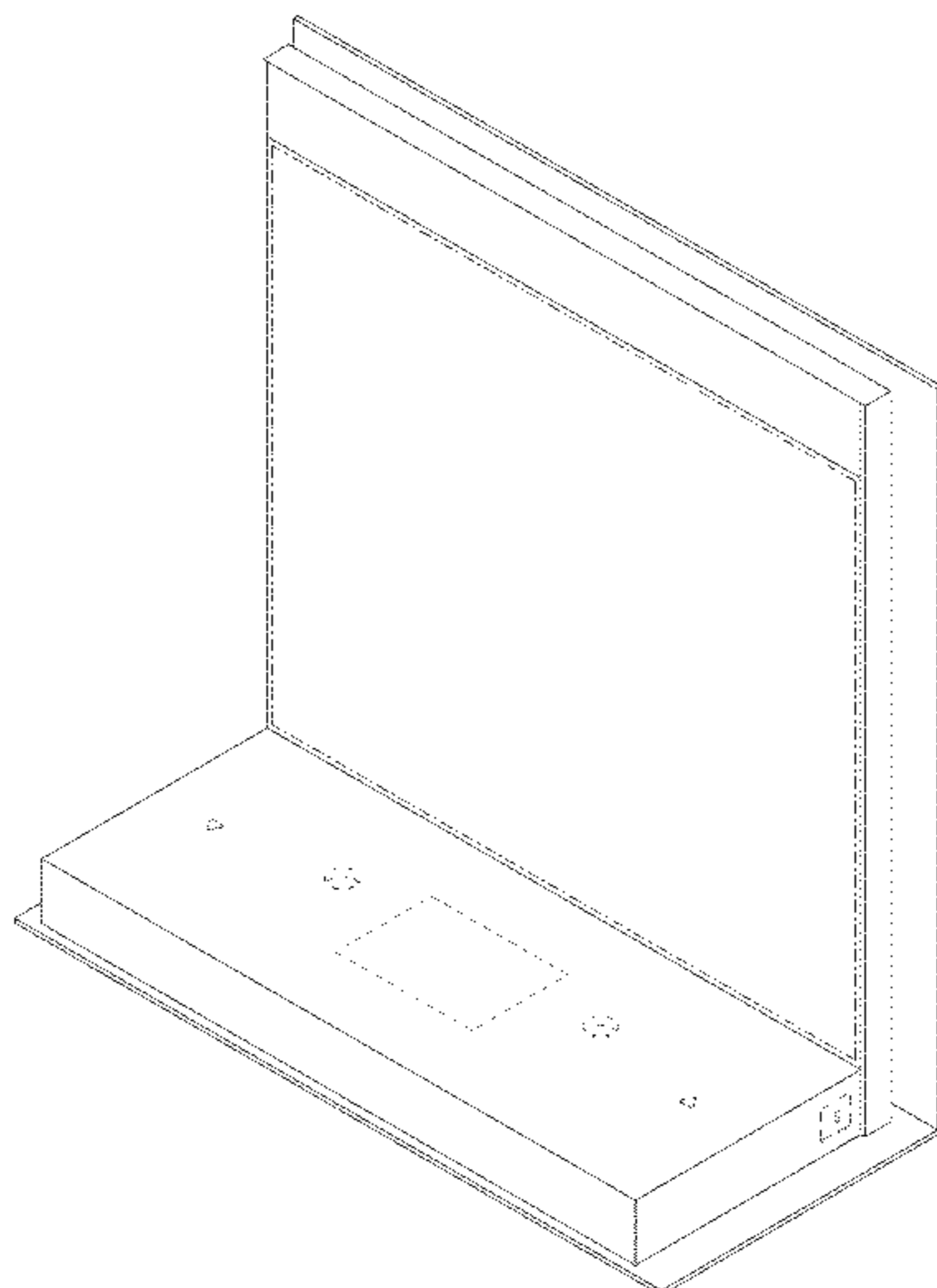
The ornamental design for a display structure, as shown and  
described.

**DESCRIPTION**

FIG. 1 is a top front perspective view of a display structure  
showing our new design;  
FIG. 2 is a front view thereof;  
FIG. 3 is a rear view thereof;  
FIG. 4 is a right side view thereof;  
FIG. 5 is a left side view thereof;  
FIG. 6 is a top view thereof;  
FIG. 7 is a bottom view thereof; and,  
FIG. 8 is a top front perspective reference view thereof show-  
ing broken-line environmental items in use with the display  
structure.

The broken lines in the Figures show portions of the display  
structure and environment (such as devices in use with the  
display structure) that form no part of the claimed design.  
The dot-dash lines in the Figures show unclaimed boundaries  
that, along with the area within, form no part of the claimed  
design.

**1 Claim, 6 Drawing Sheets**



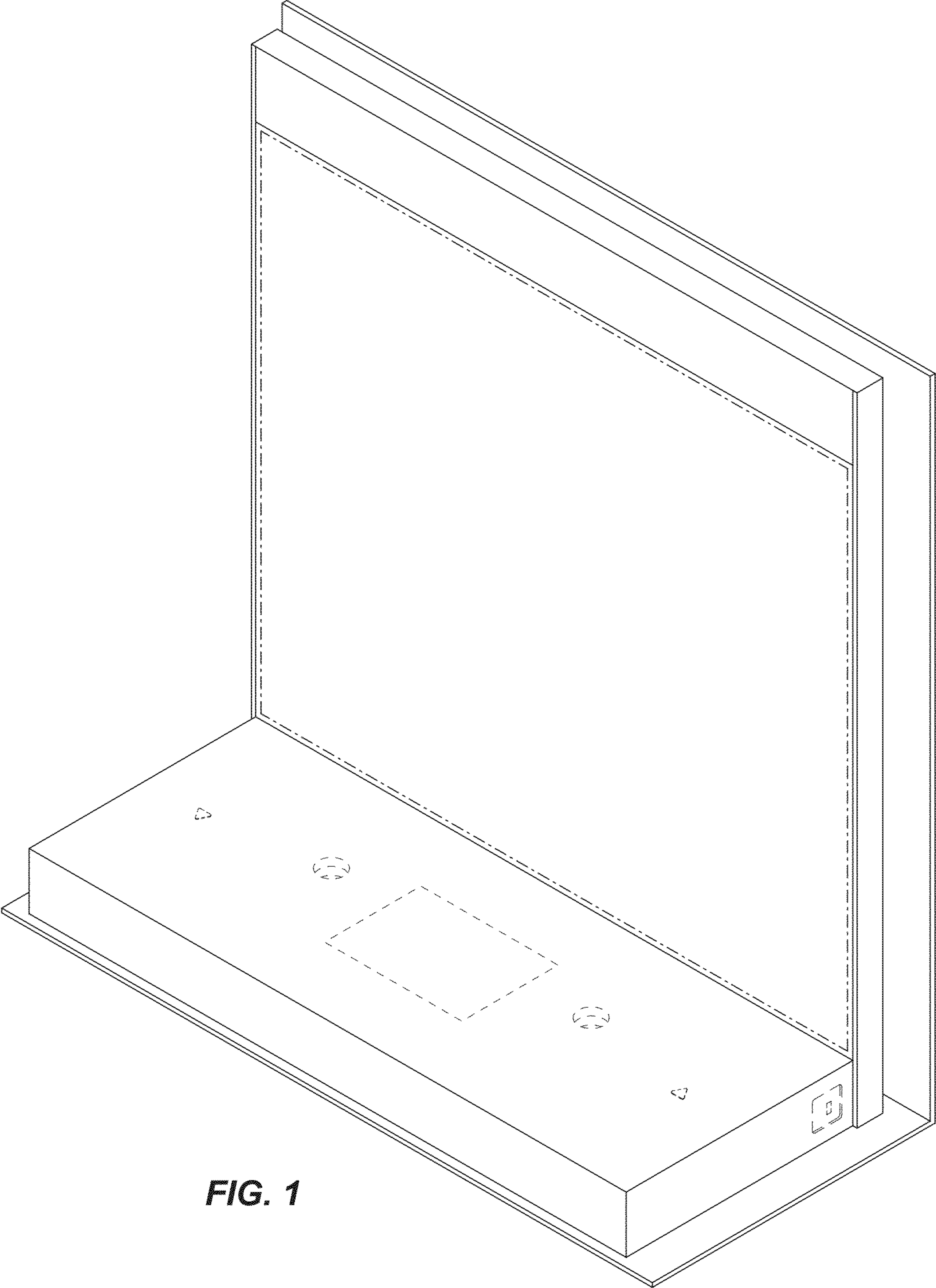
(56)

References Cited

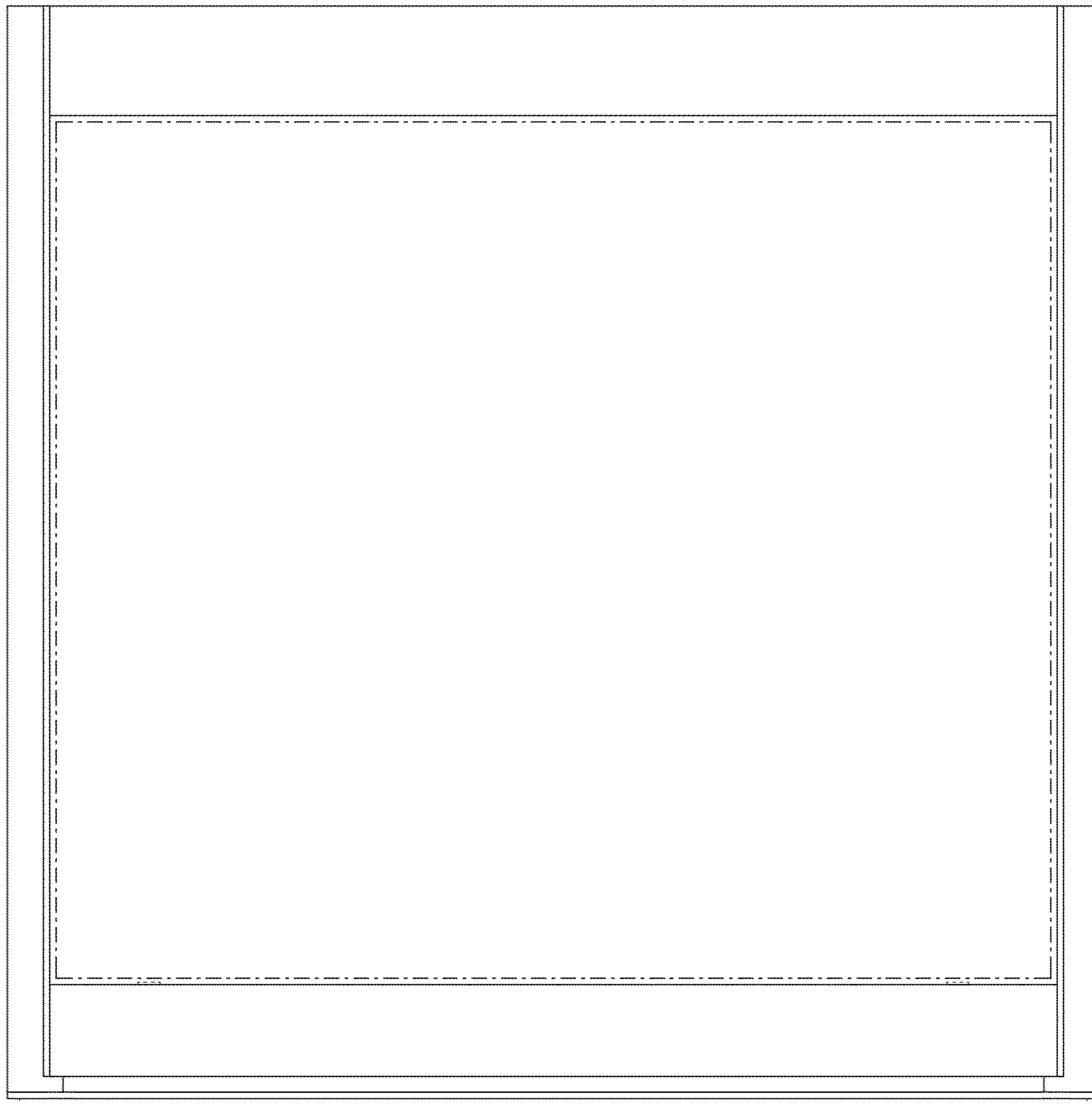
U.S. PATENT DOCUMENTS

D324,701 S *	3/1992	Capps .....	D20/19	D501,284 S	1/2005	Mount	
D335,963 S *	6/1993	Tracey .....	D6/310	D509,543 S *	9/2005	Hillstrom et al. ....	D20/41
D347,755 S	6/1994	Houston		D559,577 S *	1/2008	Quinn .....	D6/673
D351,863 S *	10/1994	Sarkisian et al. ....	D20/41	D590,630 S	4/2009	Singler et al.	
D354,638 S	1/1995	Todd et al.		D591,531 S	5/2009	Sparkowski	
D359,488 S *	6/1995	Hui .....	D14/141.2	D592,422 S	5/2009	Rheault	
D362,236 S *	9/1995	Dann et al. ....	D14/336	D610,832 S	3/2010	Rheault	
D365,947 S	1/1996	Howard		D632,903 S	2/2011	Paul	
D369,044 S *	4/1996	Lechleiter et al. ....	D20/41	D637,421 S	5/2011	Theisen et al.	
5,577,817 A	11/1996	Reynolds		D642,360 S	8/2011	Hansen	
D377,012 S *	12/1996	Oslund .....	D14/128	D642,824 S	8/2011	Theisen et al.	
D395,677 S *	6/1998	Gongora et al. ....	D20/10	D649,192 S	11/2011	Beukema et al.	
D396,251 S *	7/1998	Mortensen .....	D20/41	D657,978 S	4/2012	Hamm et al.	
D397,562 S *	9/1998	DePottey et al. ....	D6/675	D661,124 S	6/2012	Curbbun et al.	
D400,737 S *	11/1998	DePottey et al. ....	D6/682.4	D671,535 S	11/2012	Terashima et al.	
D408,383 S *	4/1999	Carter et al. ....	D14/374	D676,430 S	2/2013	Blaser	
D410,036 S *	5/1999	Washington .....	D20/41	D678,696 S	3/2013	Hamm et al.	
D434,451 S *	11/2000	Grimshaw .....	D20/10	D679,521 S	4/2013	Hamm et al.	
D434,929 S	12/2000	Heiny et al.		D682,581 S	5/2013	Kikkert et al.	
6,164,467 A *	12/2000	DePottey et al. ....	211/189	D684,792 S	6/2013	Kikkert et al.	
6,170,678 B1	1/2001	de la Fuente		D693,156 S	11/2013	Hamm et al.	
D443,308 S *	6/2001	Kovell .....	D20/10	8,602,227 B1	12/2013	McDonald	
6,357,609 B1	3/2002	Van Noord et al.		D709,952 S *	7/2014	Logan et al. ....	D20/10
D463,499 S *	9/2002	Marcos .....	D20/10	D713,658 S	9/2014	Tio et al.	
D465,529 S *	11/2002	Hummell .....	D20/40	D717,085 S *	11/2014	Trinh et al. ....	D6/675
D468,134 S	1/2003	Oikawa		D722,313 S *	2/2015	Birgeoglu .....	D14/307
D470,892 S *	2/2003	Linko, Sr. ....	D20/41	D723,025 S *	2/2015	Birgeoglu .....	D14/307
D497,485 S *	10/2004	Resultan .....	D6/300	D723,026 S *	2/2015	Birgeoglu .....	D14/307
				D725,947 S *	4/2015	Tio et al. ....	D6/675.1
				2005/0279033 A1	12/2005	Faber et al.	
				2007/0170823 A1	7/2007	Stannis et al.	

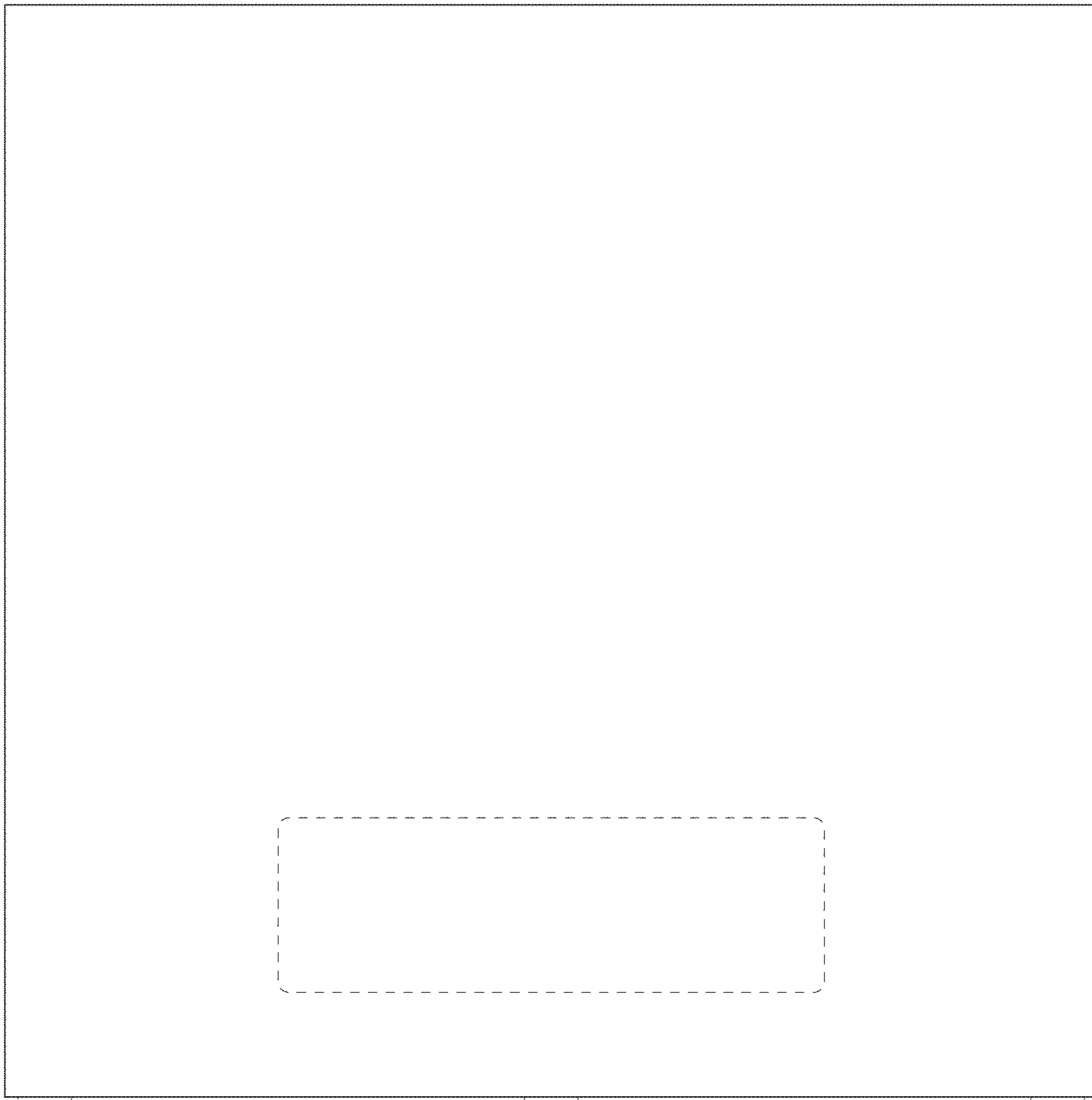
\* cited by examiner



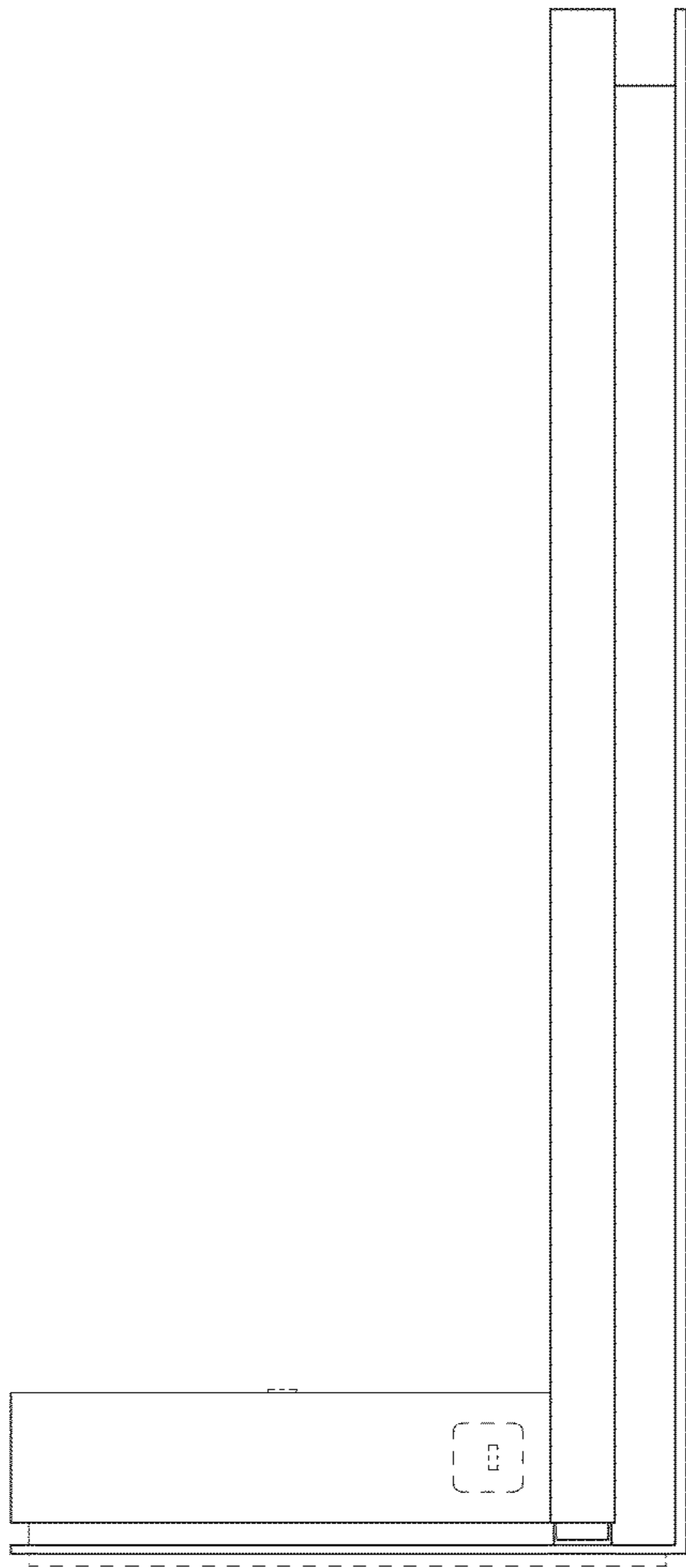
**FIG. 1**



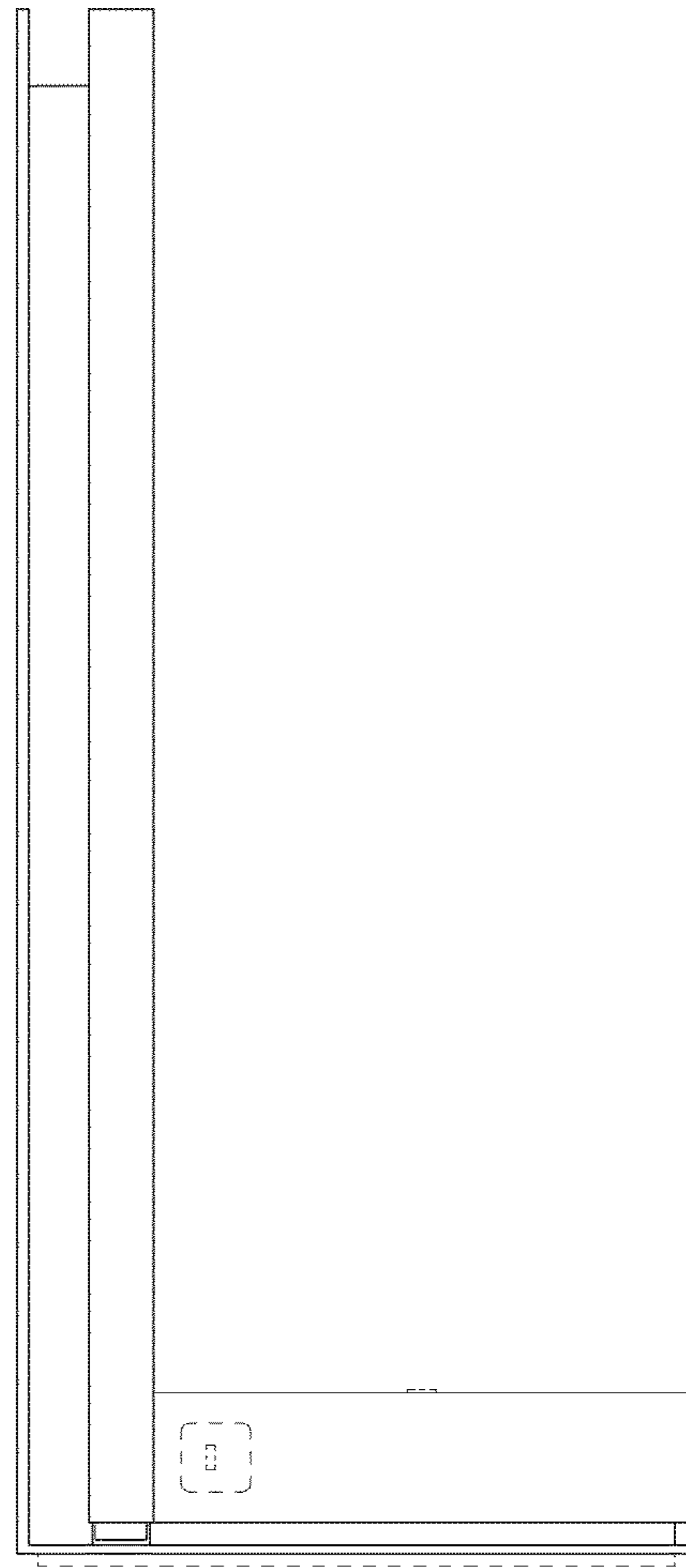
**FIG. 2**



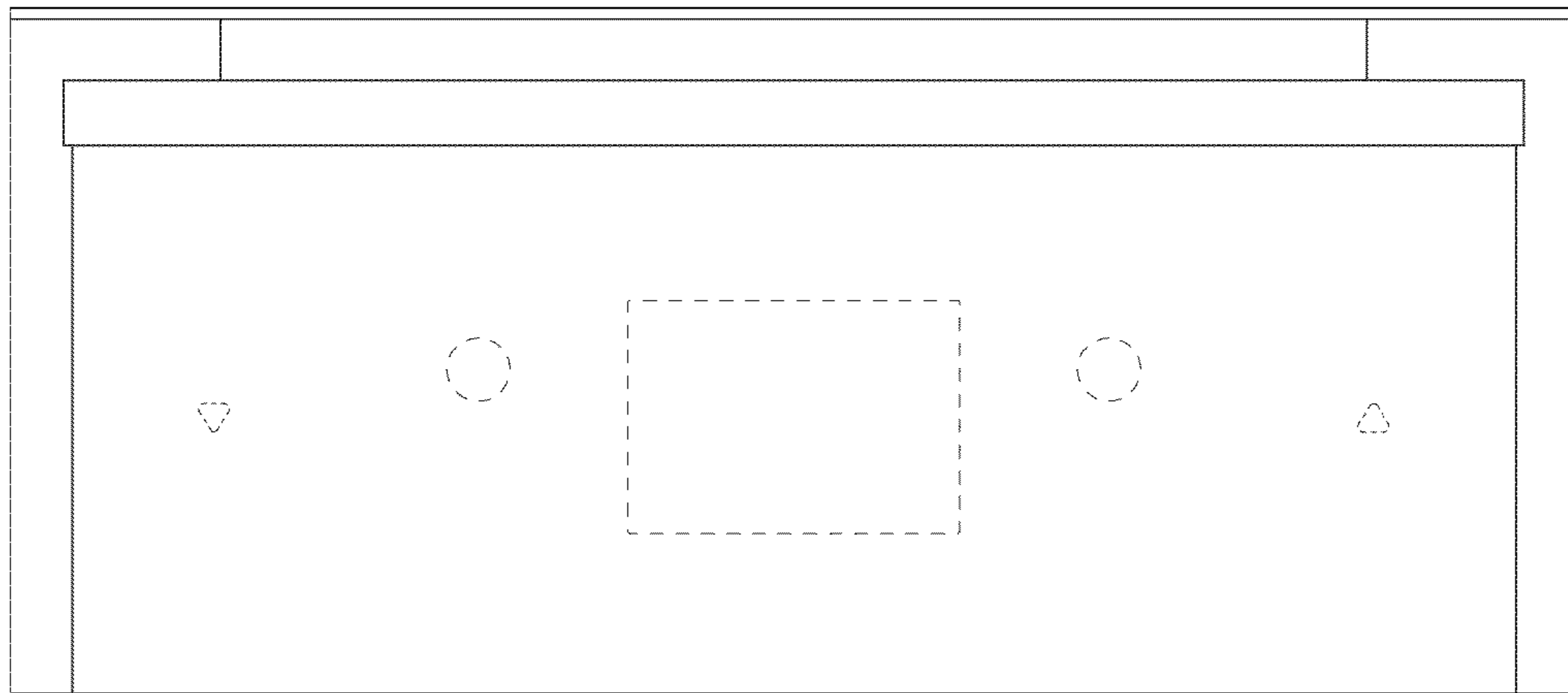
***FIG. 3***



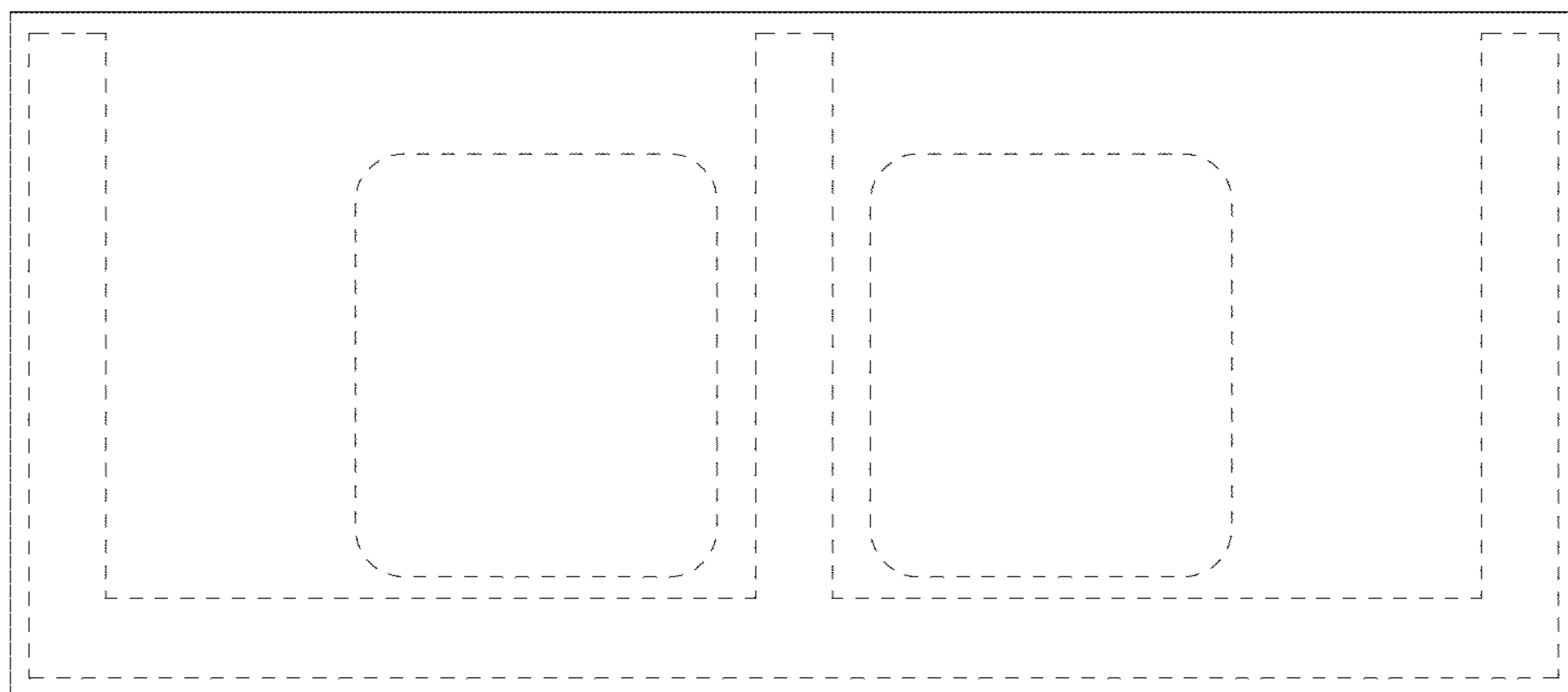
**FIG. 4**



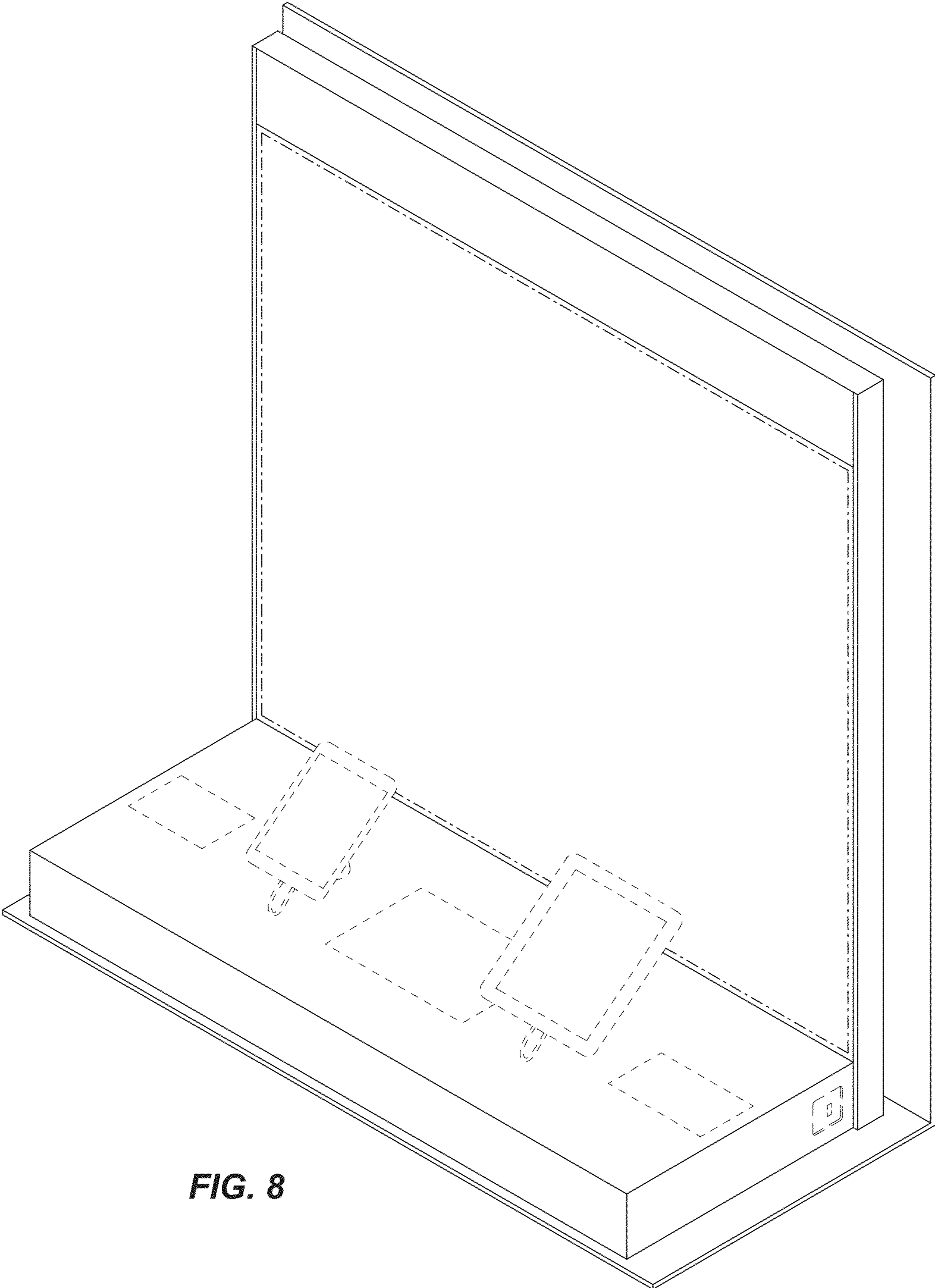
**FIG. 5**



**FIG. 6**



**FIG. 7**



**FIG. 8**