



US00D741088S

(12) **United States Design Patent**
Williams

(10) **Patent No.:** **US D741,088 S**
(45) **Date of Patent:** **** Oct. 20, 2015**

(54) **TABLE CLOTH**

(71) Applicant: **Robenius Williams**, Spotsylvania, VA
(US)

(72) Inventor: **Robenius Williams**, Spotsylvania, VA
(US)

(**) Term: **14 Years**

(21) Appl. No.: **29/480,035**

(22) Filed: **Jan. 22, 2014**

Related U.S. Application Data

(62) Division of application No. 29/450,335, filed on Mar. 16, 2013, now Pat. No. Des. 711,163.

(51) **LOC (10) Cl.** **06-13**

(52) **U.S. Cl.**
USPC **D6/617**

(58) **Field of Classification Search**
USPC D6/603, 610, 612, 613, 616, 617, 618,
D6/583, 594; D7/624.1, 388
CPC . A47G 9/0023; A47G 9/0246; A47G 11/003;
A47G 11/004; A47G 11/006; A47G 27/0225;
A47C 21/002; A47C 27/002; A47B 13/086;
A47B 13/10; D05B 77/00
See application file for complete search history.

(56) **References Cited**

U.S. PATENT DOCUMENTS

1,865,459	A *	7/1932	Edmands	428/84
1,926,429	A *	9/1933	Bendelari	108/90
D106,952	S *	11/1937	Rosen	D6/612
2,283,828	A *	5/1942	Strombach	108/90
2,809,466	A *	10/1957	Glover	108/90
3,825,050	A *	7/1974	Glover	108/90
4,789,019	A *	12/1988	Sweetser et al.	108/90
D396,773	S *	8/1998	Michaelson	D6/617

D435,384	S *	12/2000	Finkelstein	D6/613
D455,929	S *	4/2002	Tweel	D6/617
D461,146	S *	8/2002	Vargo	D12/114
D478,455	S *	8/2003	Papazian	D6/608
D480,253	S *	10/2003	Raines	D6/617
D480,903	S *	10/2003	Tweel	D6/617
D498,107	S *	11/2004	Sheppard, Jr.	D6/608
D509,093	S *	9/2005	Sheppard, Jr.	D6/608
D608,127	S *	1/2010	Venugopal	D6/583
D628,003	S *	11/2010	Venugopal	D6/583
D635,829	S *	4/2011	Morrish et al.	D7/624.1
D711,163	S *	8/2014	Williams	D6/617
2003/0015270	A1 *	1/2003	McClenahan et al.	150/158
2006/0150871	A1 *	7/2006	Palmby	108/90

* cited by examiner

Primary Examiner — Karen S Acker

Assistant Examiner — Amy Wierenga

(74) *Attorney, Agent, or Firm* — Symbus Law Group, LLC;
Clifford D. Hyra

(57) **CLAIM**

The ornamental design for a table cloth, as shown and described.

DESCRIPTION

FIG. 1 is a perspective view of a first embodiment of a table cloth showing the top, front, and right sides.

FIG. 2 is a perspective view thereof shown in a position of use applied to a rectangular table drawn in broken lines.

FIG. 3 is a top view of the table cloth of FIG. 1.

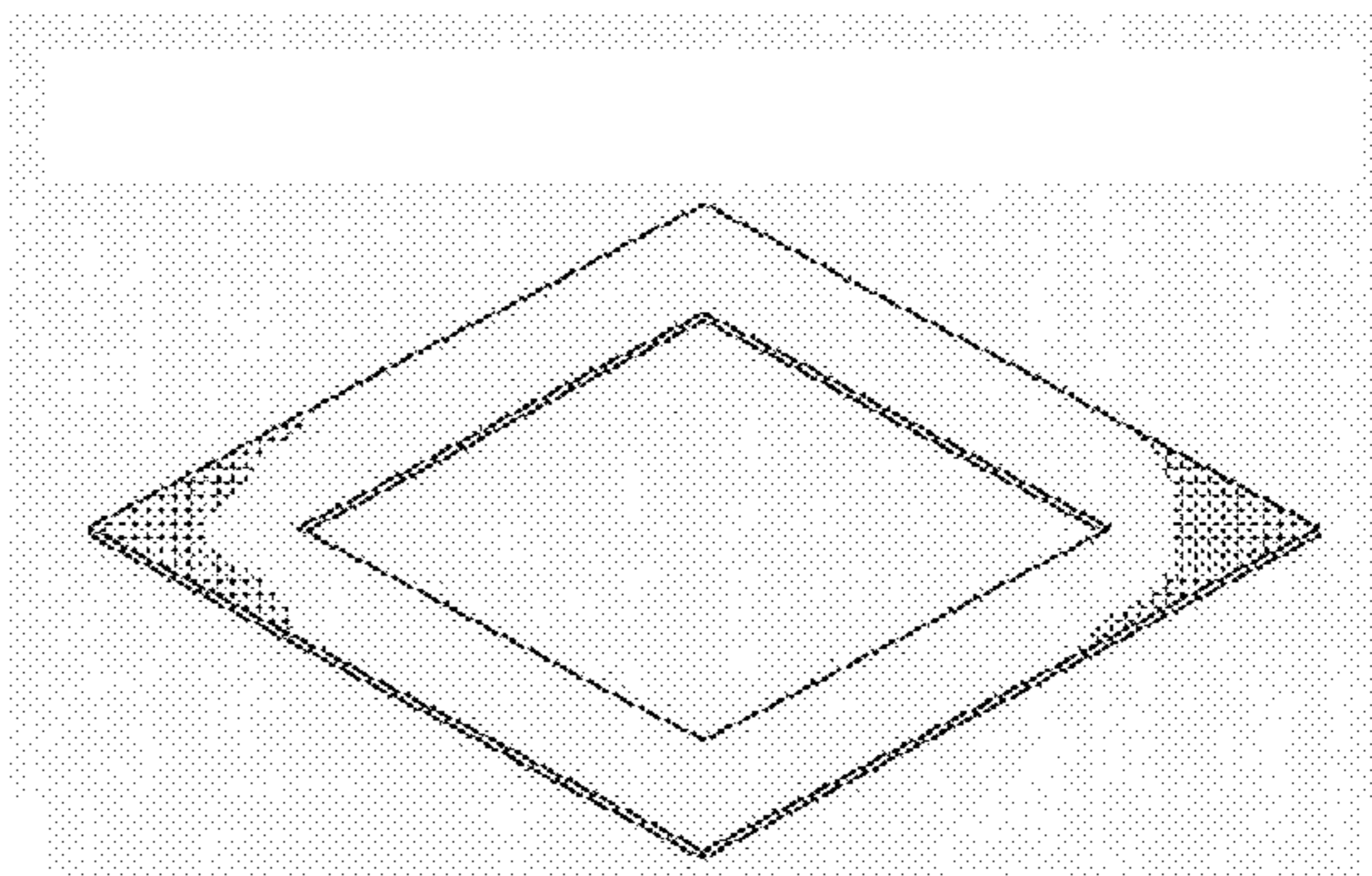
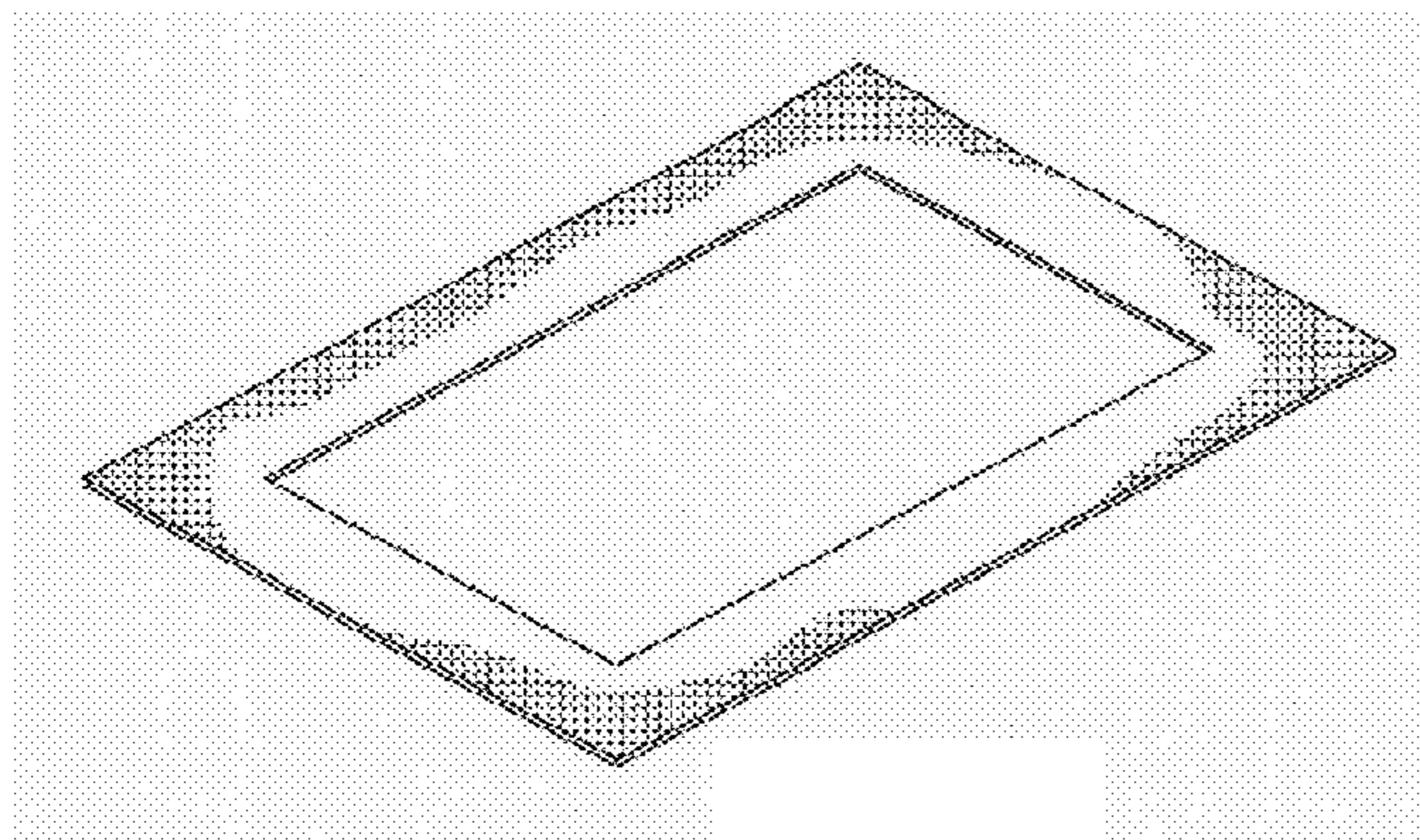
FIG. 4 is a perspective view of a second embodiment of a table cloth showing the top, front, and right sides.

FIG. 5 is a perspective view thereof shown in a position of use applied to a square table drawn in broken lines; and,

FIG. 6 is a top view of the table cloth of FIG. 4.

The broken lines showing of a table in FIGS. 2 and 5 depict environmental subject matter only that forms no part of the claimed design.

1 Claim, 2 Drawing Sheets



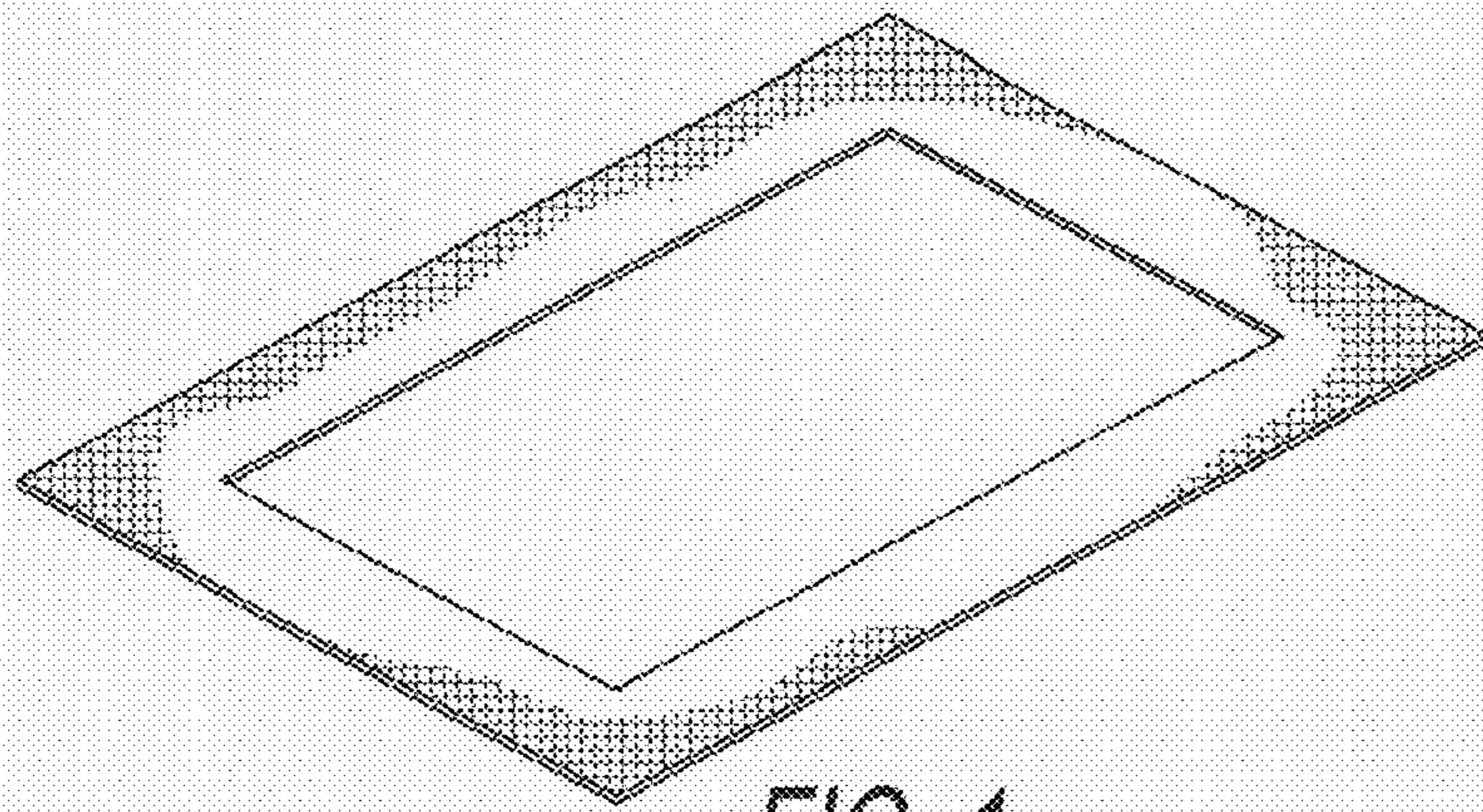


FIG. 1

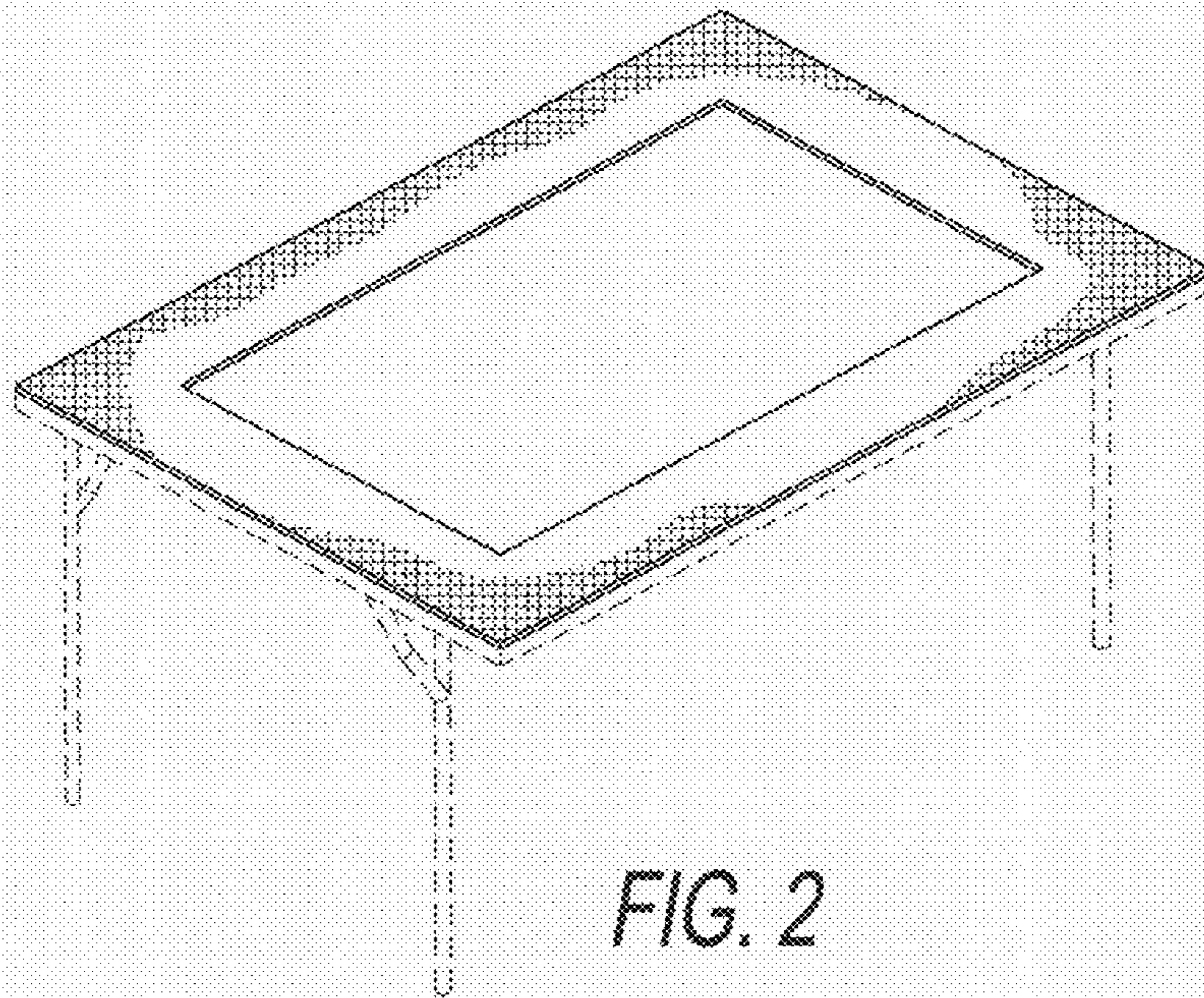


FIG. 2

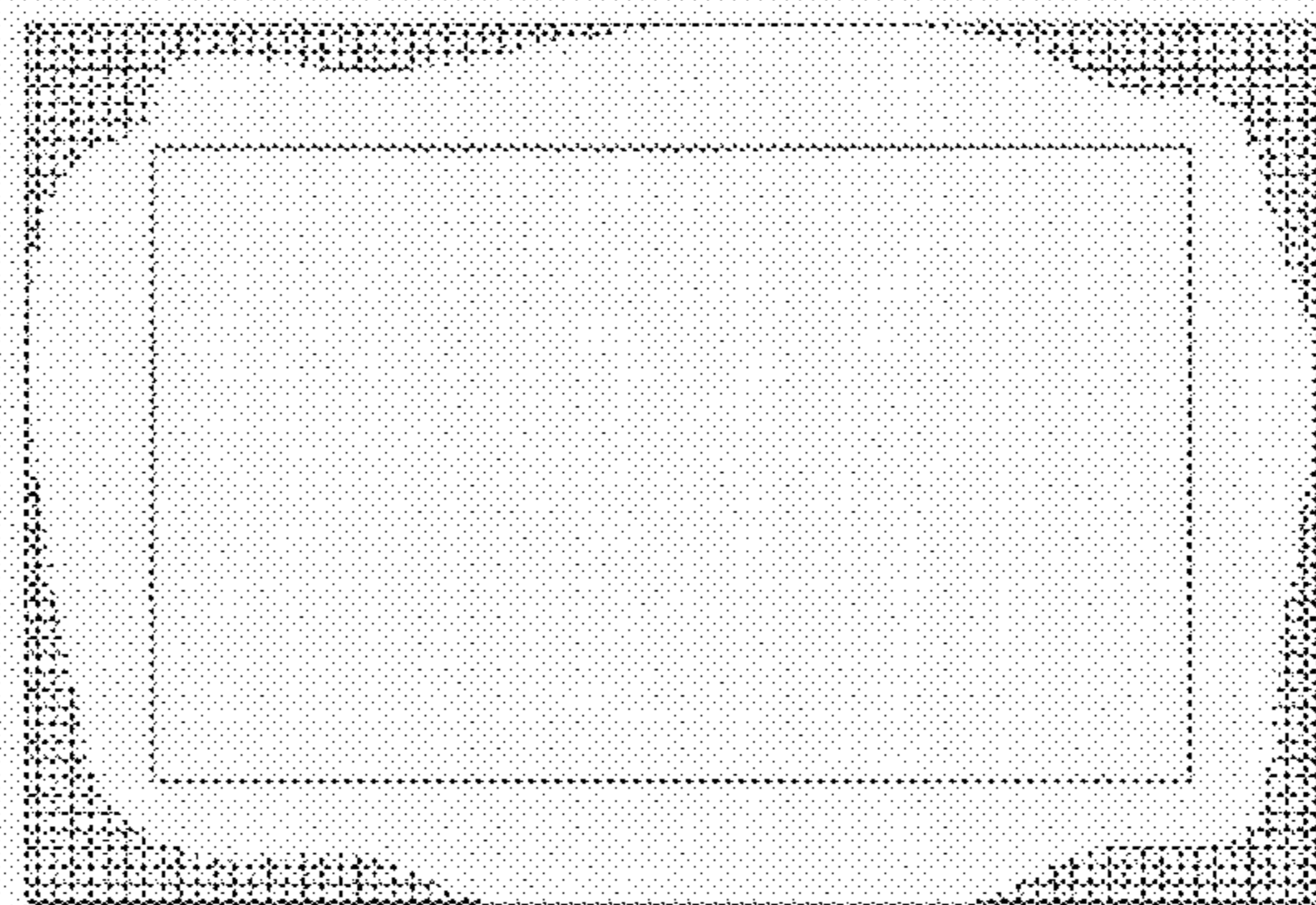


FIG. 3

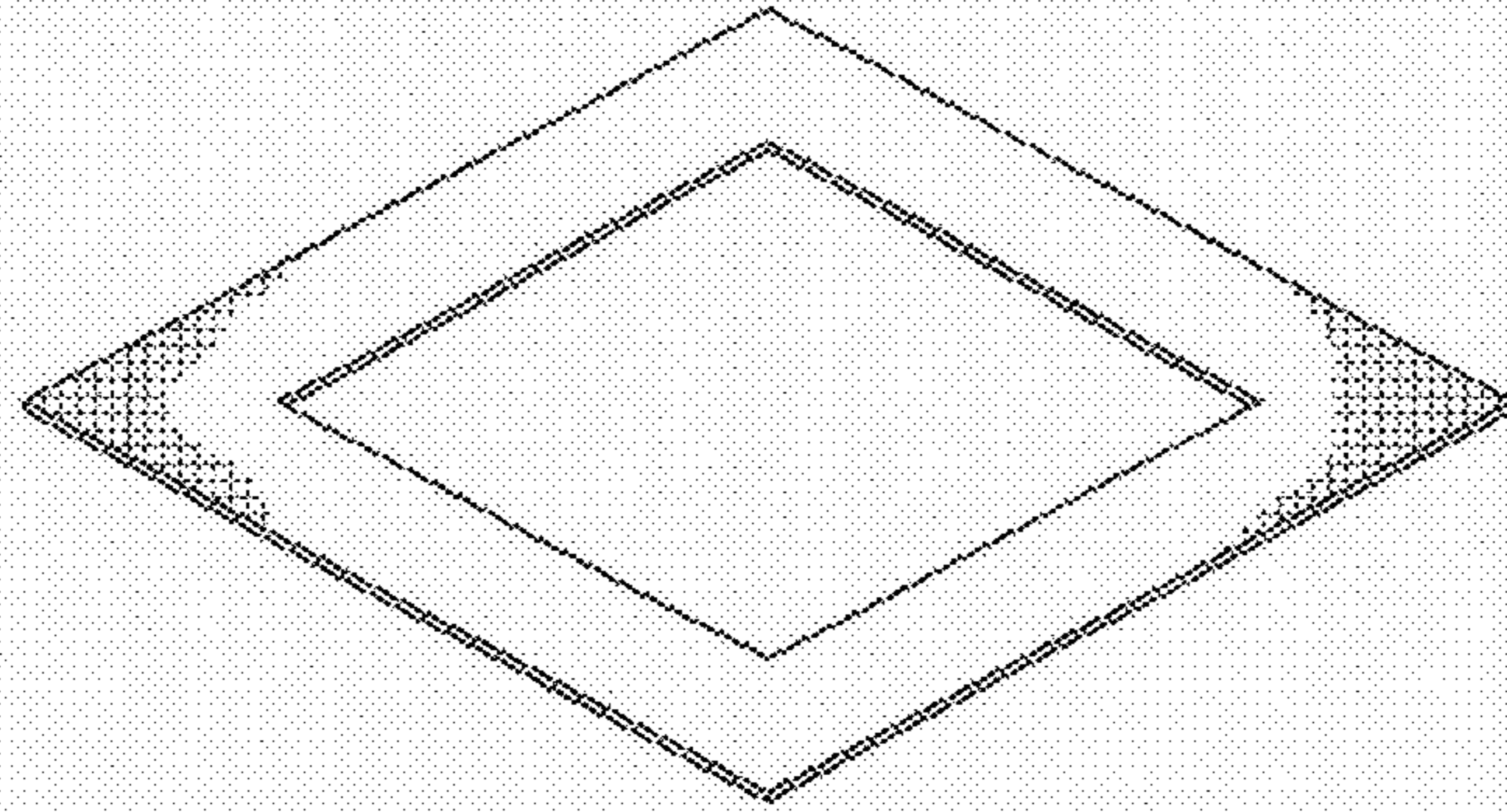


FIG. 4

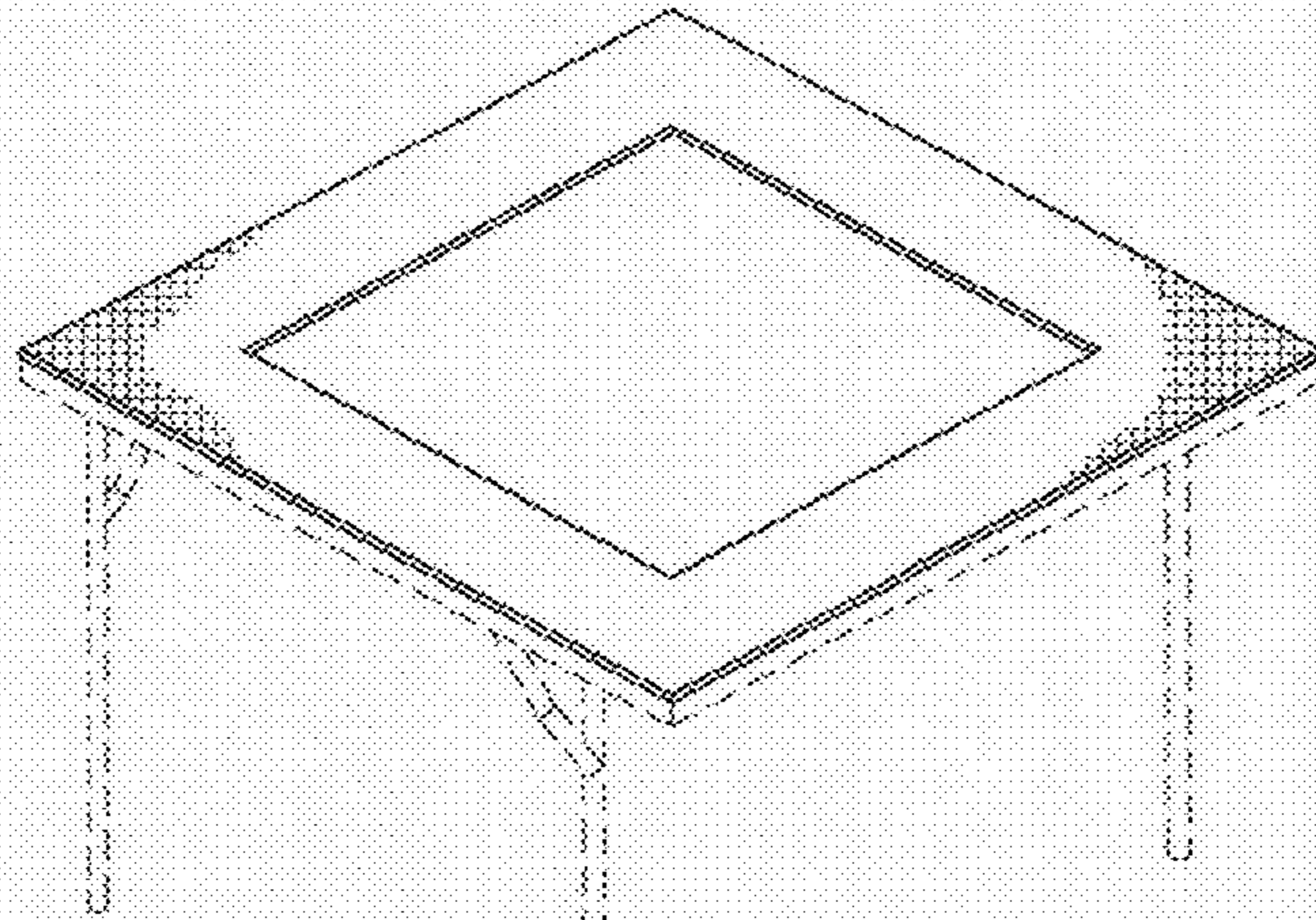


FIG. 5

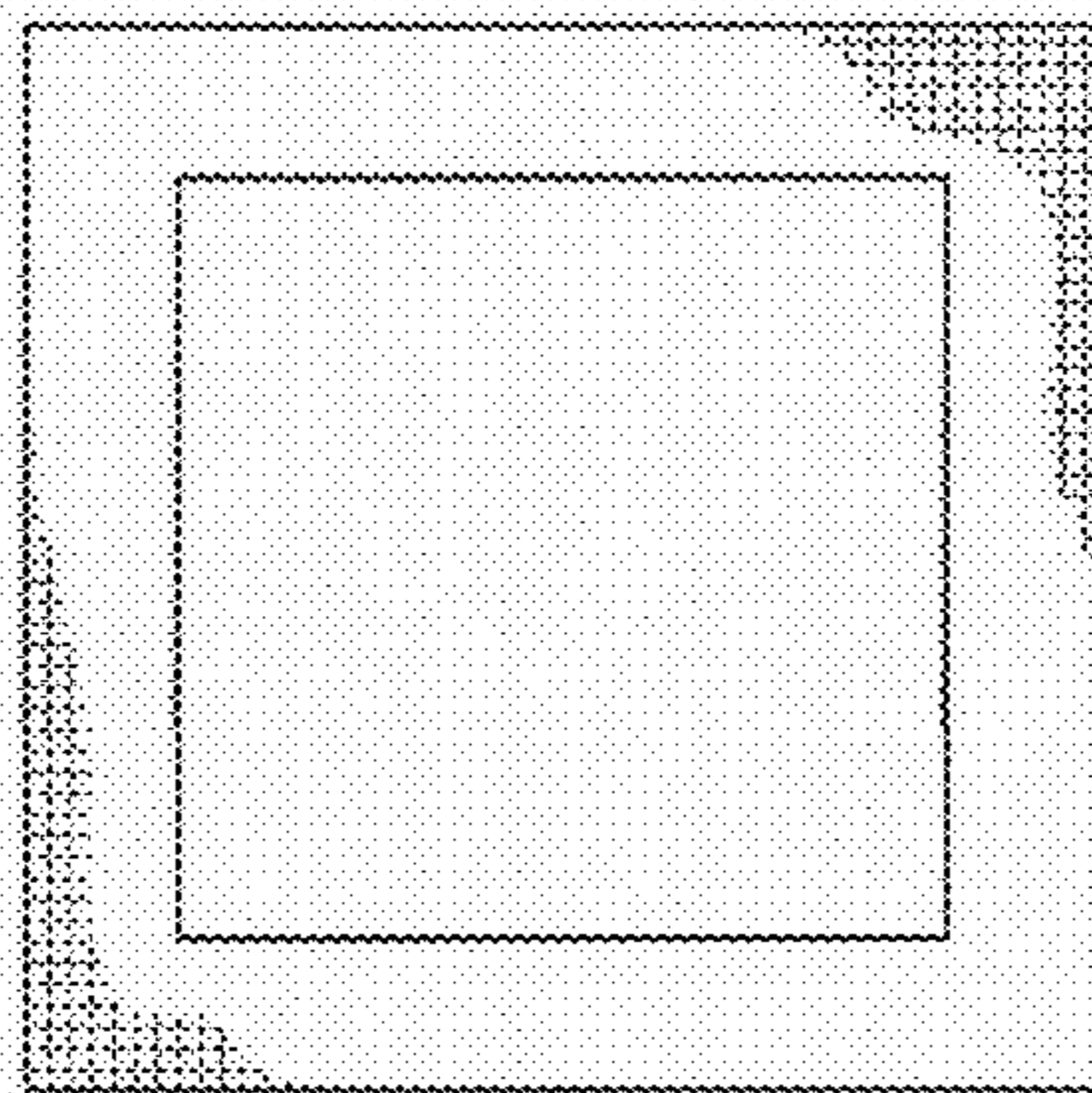


FIG. 6