



US00D741083S

(12) **United States Design Patent**
Kim

(10) **Patent No.:** **US D741,083 S**

(45) **Date of Patent:** **** Oct. 20, 2015**

(54) **BED**

(71) Applicant: **Su Hyun Kim**, Kyeonggi-do (KR)

(72) Inventor: **Su Hyun Kim**, Kyeonggi-do (KR)

(**) Term: **14 Years**

(21) Appl. No.: **29/468,710**

(22) Filed: **Oct. 2, 2013**

(30) **Foreign Application Priority Data**

Aug. 13, 2013 (KR) 30-2013-0041586

(51) **LOC (10) Cl.** **06-02**

(52) **U.S. Cl.**
USPC **D6/393**

(58) **Field of Classification Search**
USPC D6/382, 383, 388, 389, 392-395,
D6/718.13; 5/53.1, 279.1, 280, 281, 907
See application file for complete search history.

(56) **References Cited**

U.S. PATENT DOCUMENTS

D67,161 S * 4/1925 Stuart D6/507
D277,909 S * 3/1985 West D6/507
6,625,827 B1 * 9/2003 Polevoy et al. 5/203

* cited by examiner

Primary Examiner — Janice Seeger

(74) *Attorney, Agent, or Firm* — Edell, Shapiro & Finnan LLC

(57) **CLAIM**

The ornamental design for a bed, as shown and described.

DESCRIPTION

FIG. 1 is a front, right perspective view from above showing the design of the bed;

FIG. 2 is a top plan view of the bed of FIG. 1;

FIG. 3 is a bottom plan view of the bed of FIG. 1;

FIG. 4 is a left side elevation view of the bed of FIG. 1;

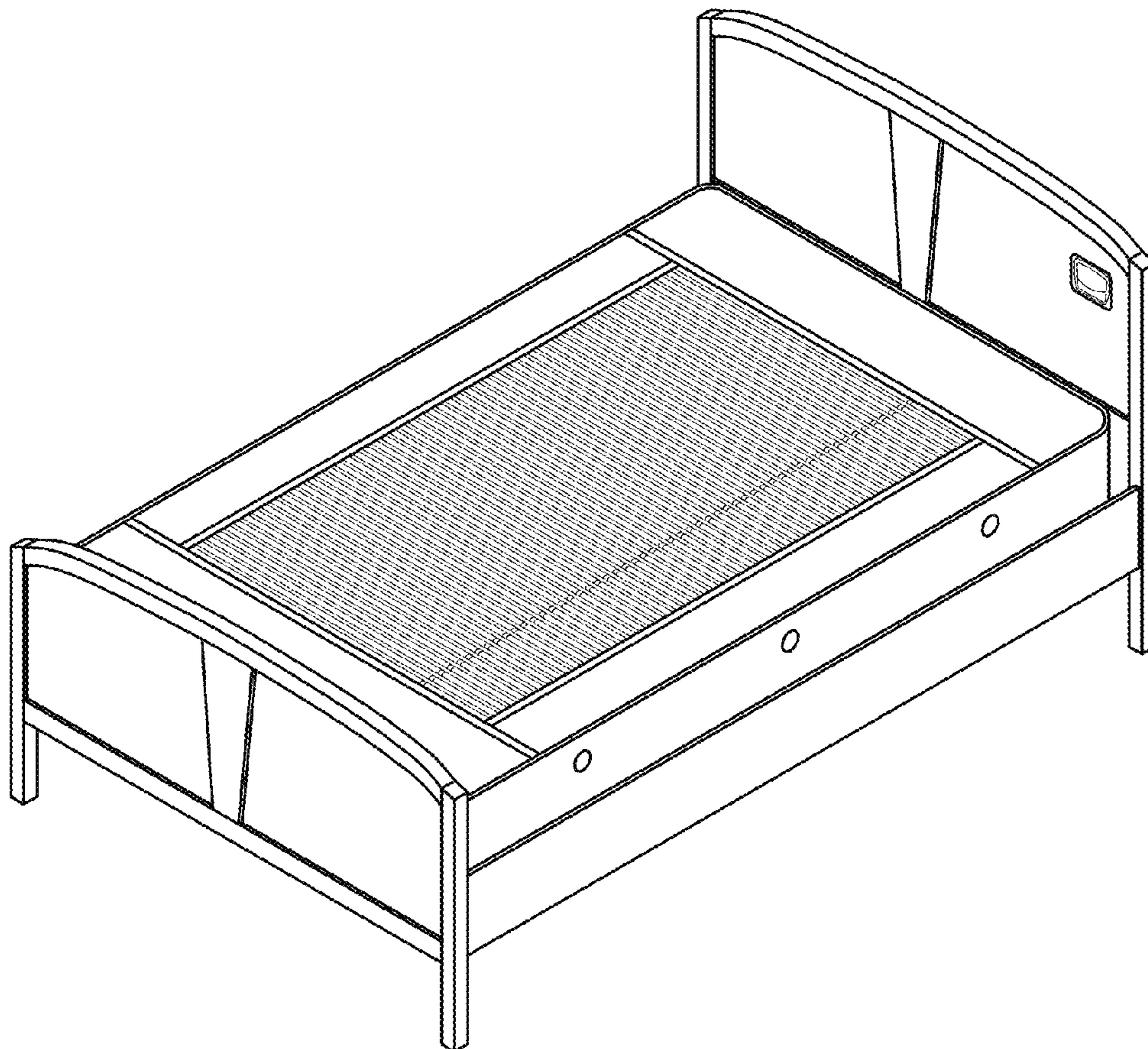
FIG. 5 is a right side elevation view of the bed of FIG. 1;

FIG. 6 is a front elevation view of the bed of FIG. 1; and,

FIG. 7 is a rear elevation view of the bed of FIG. 1.

The broken lines are for environmental purposes only and form no part of the claimed design.

1 Claim, 4 Drawing Sheets



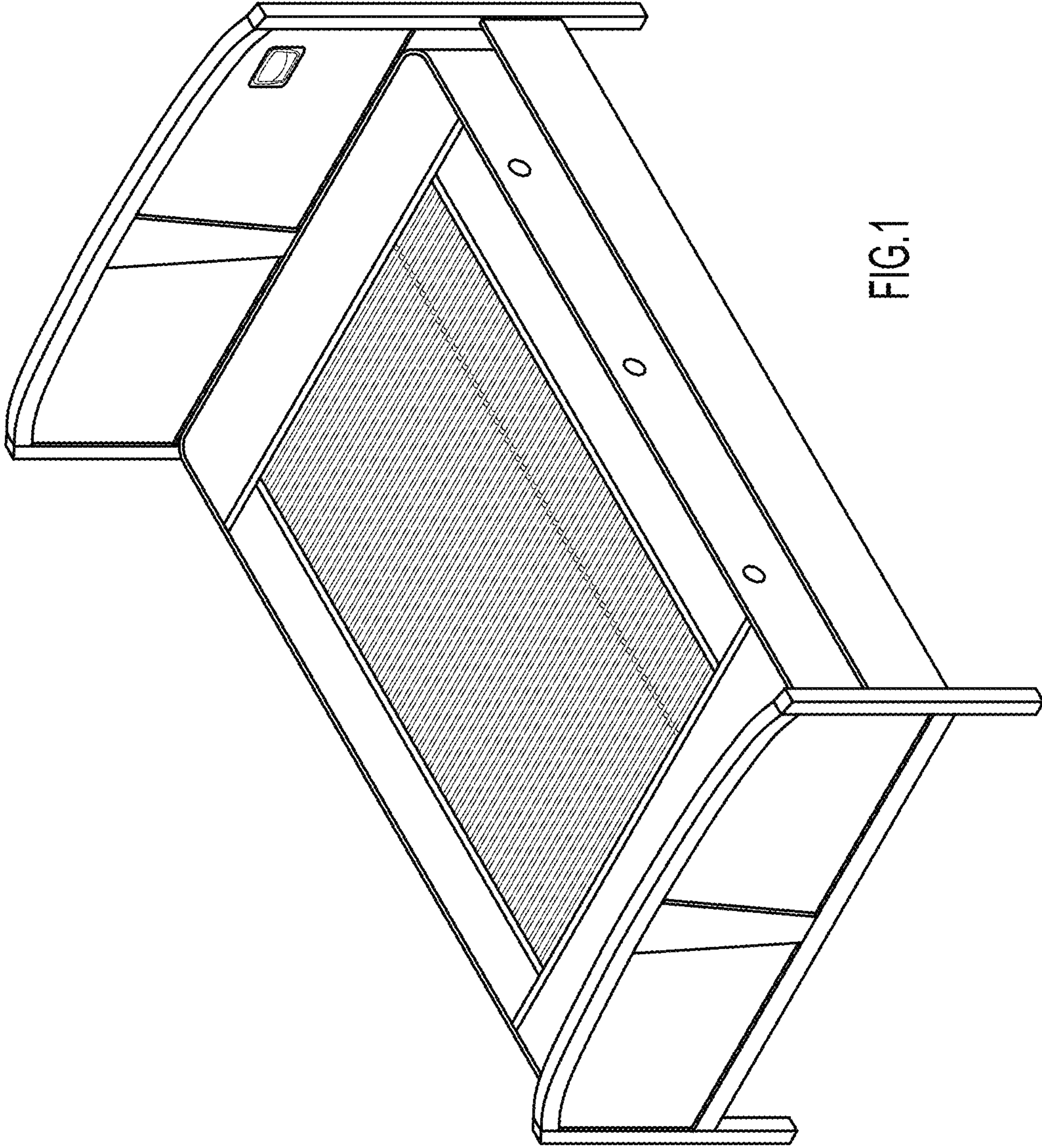


FIG.1

FIG.3

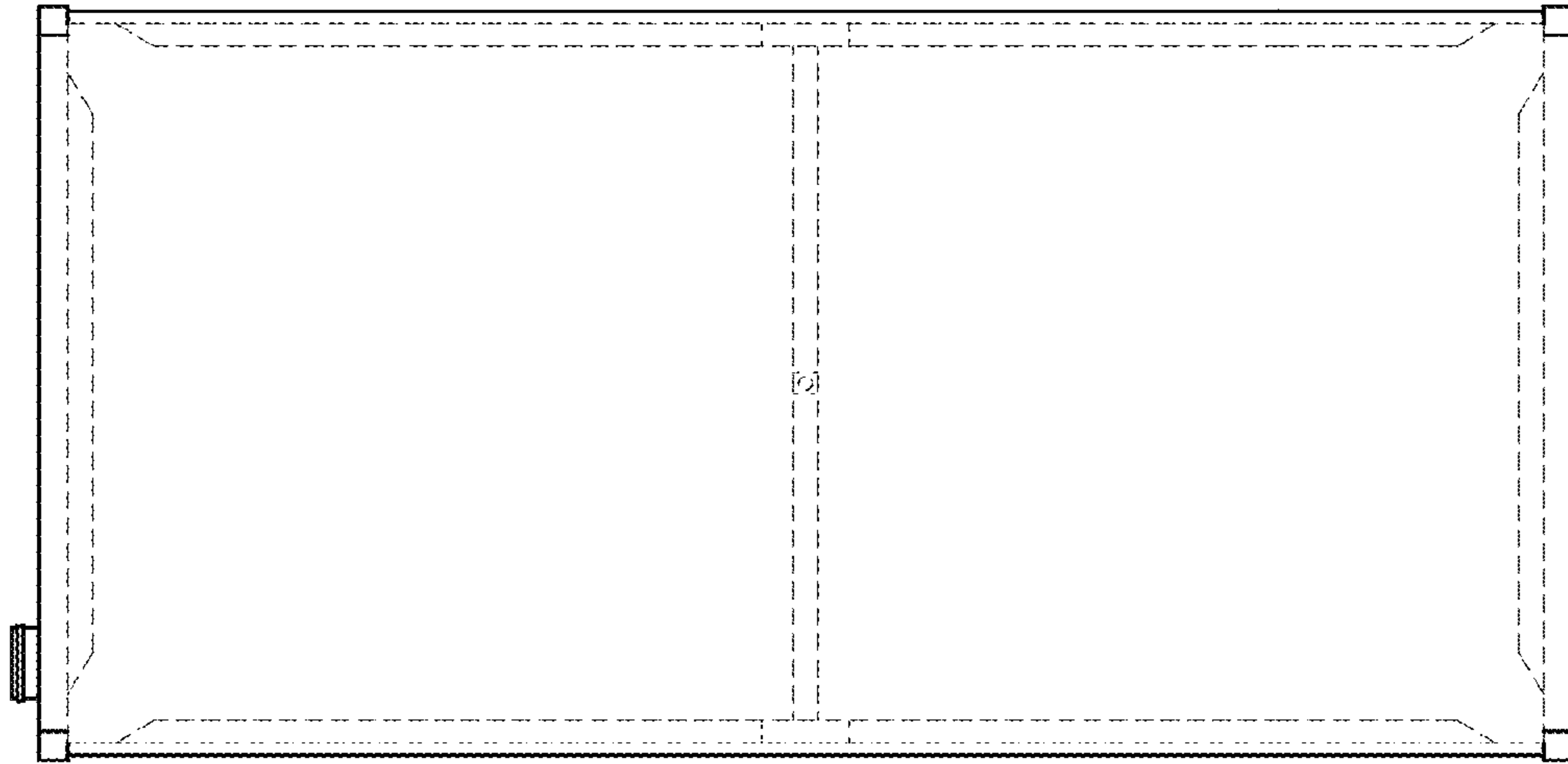


FIG.2

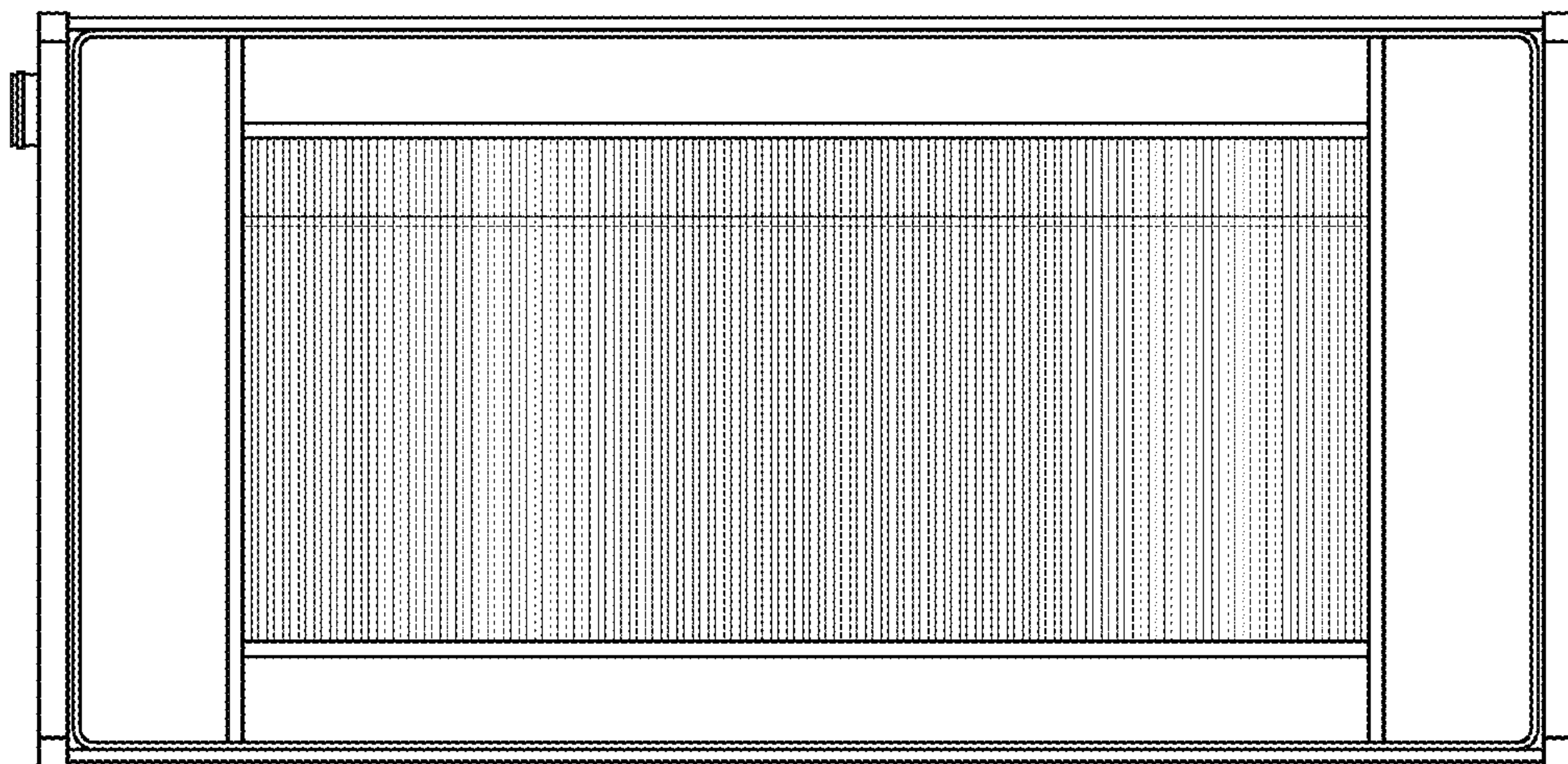


FIG.4

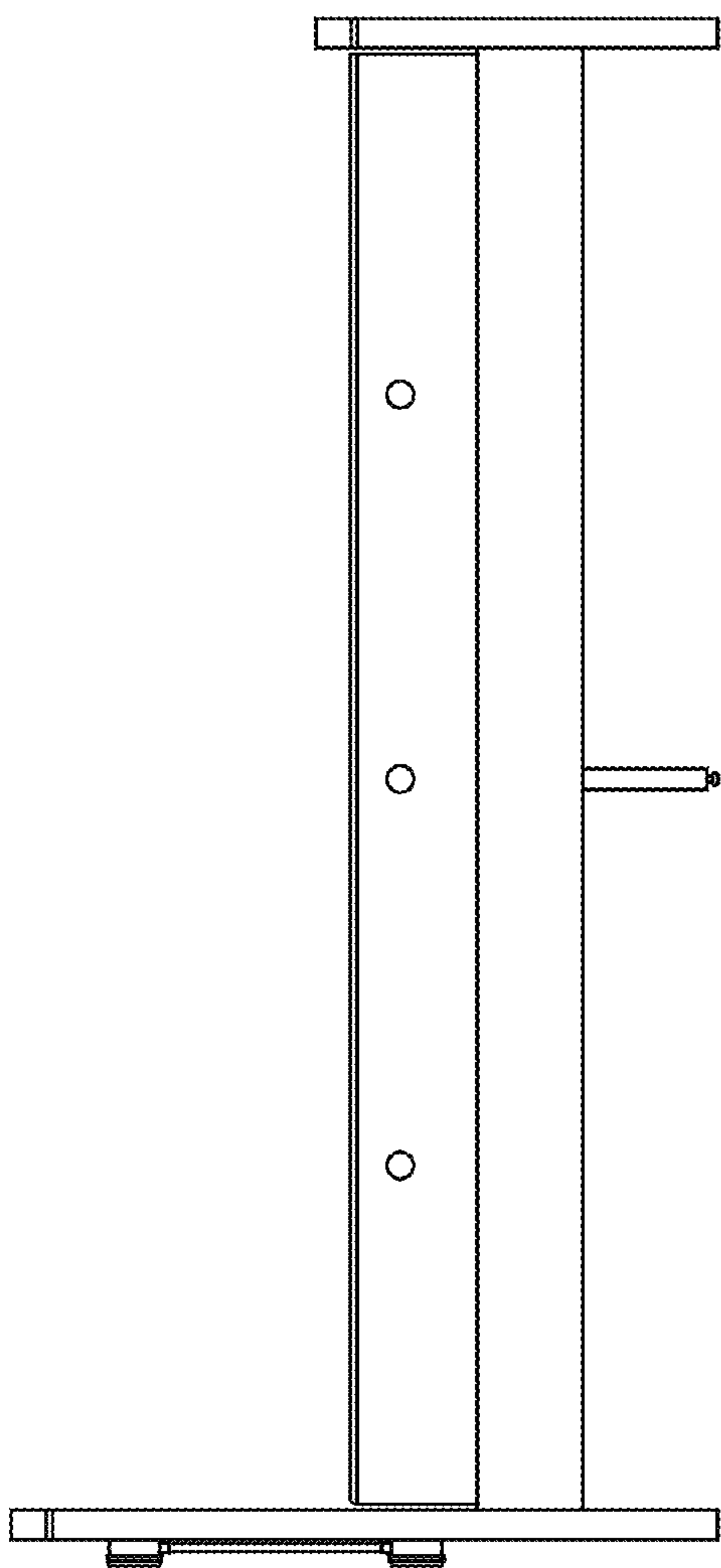
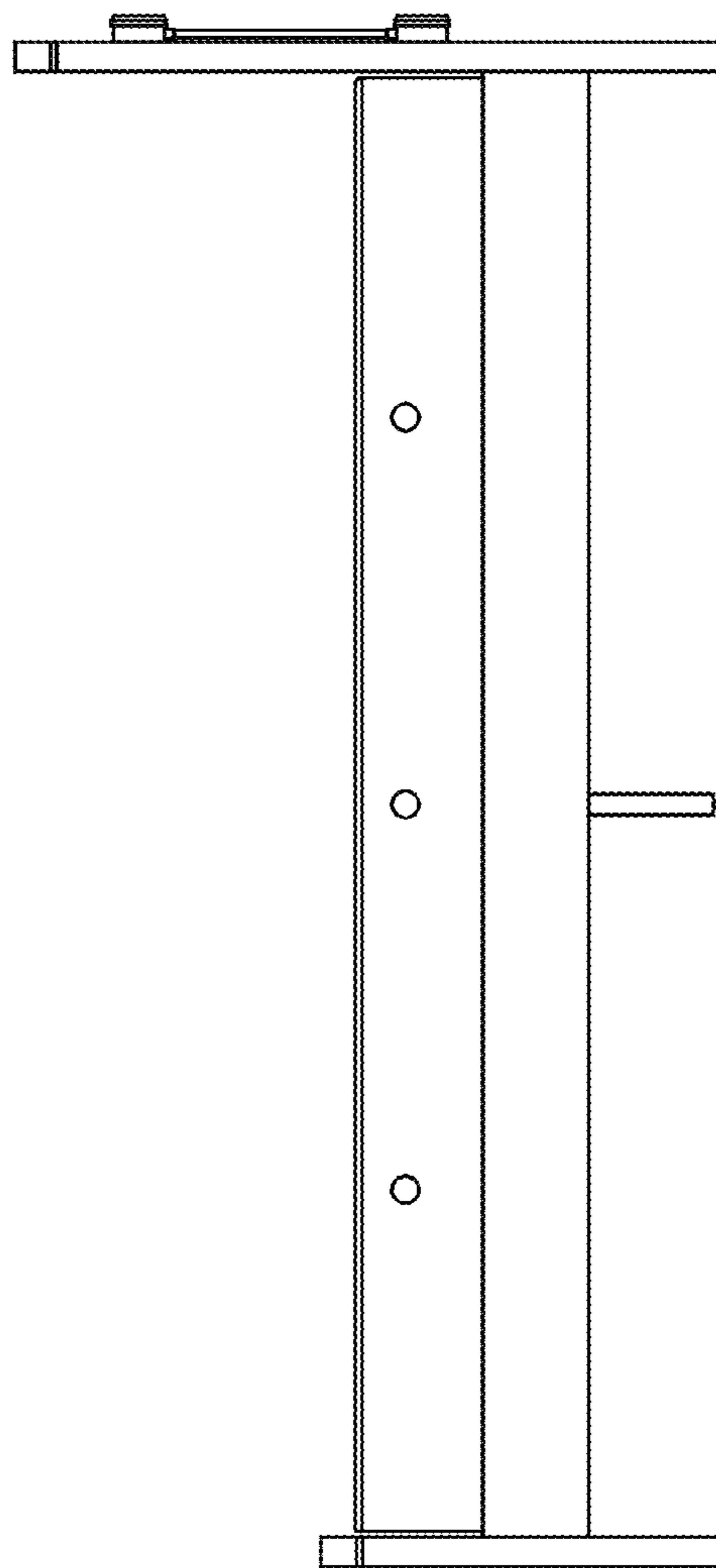


FIG.5



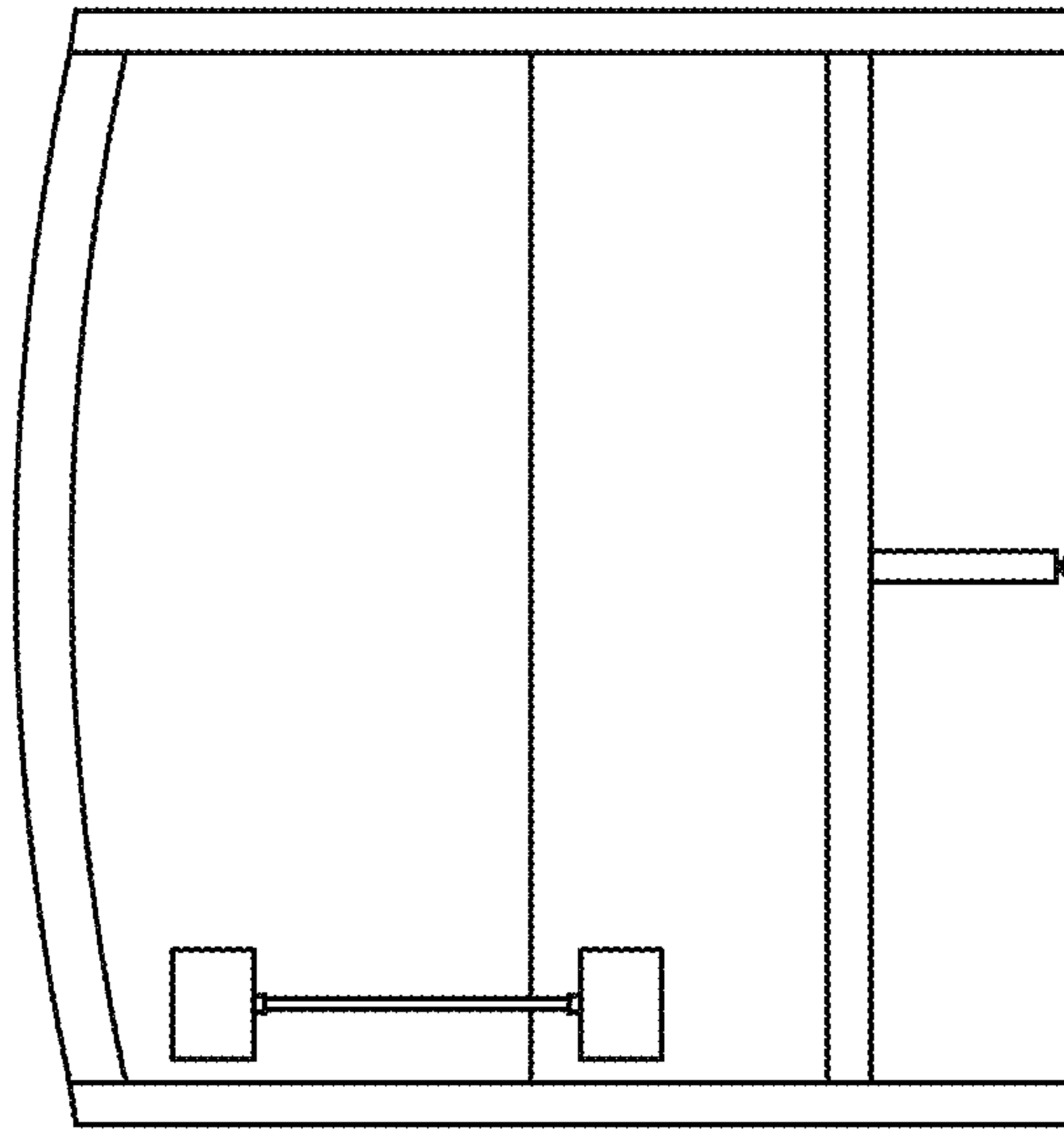


FIG.7

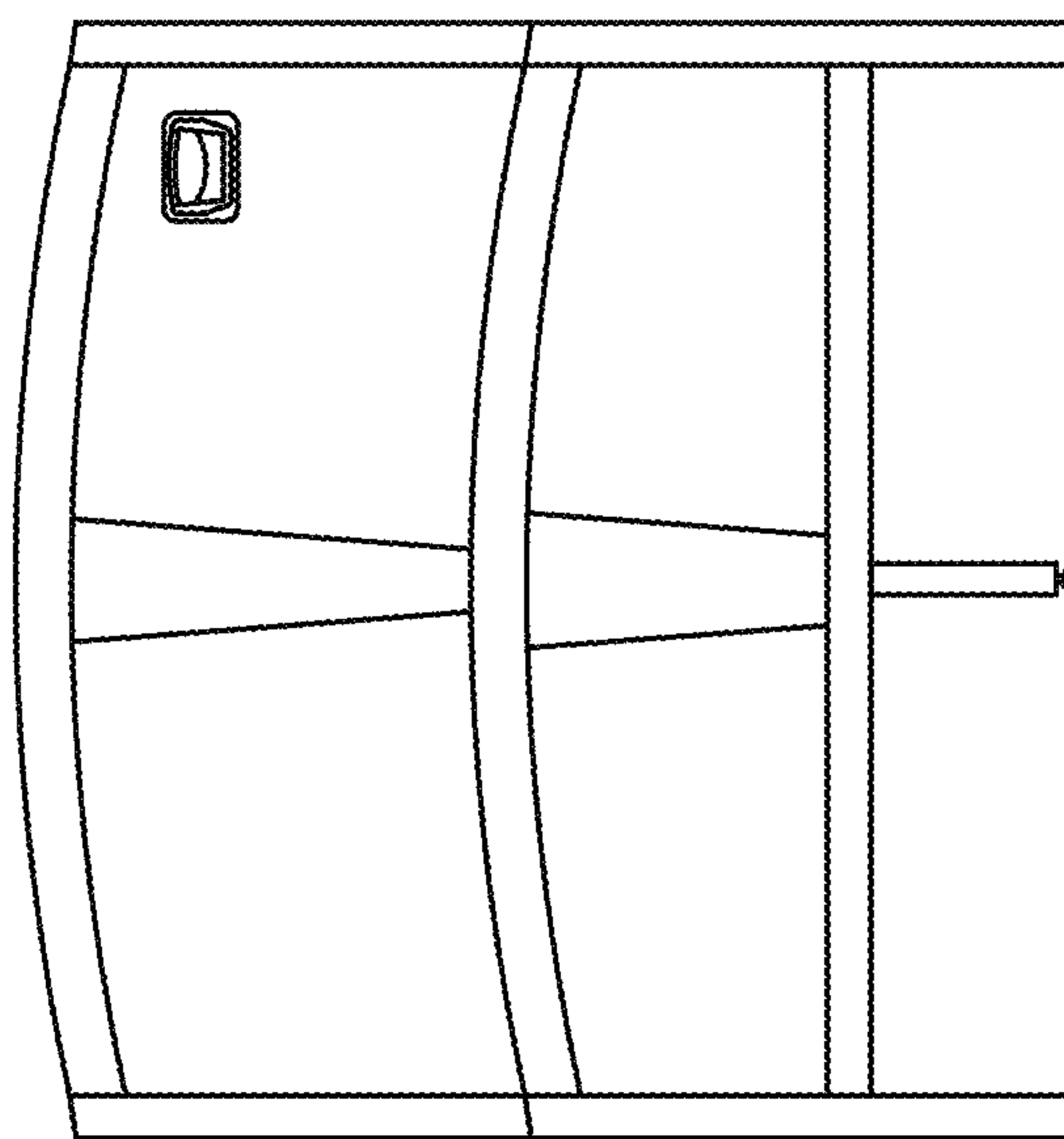


FIG.6