



US00D741082S

(12) **United States Design Patent**
Dix

(10) **Patent No.:** **US D741,082 S**
(45) **Date of Patent:** **** Oct. 20, 2015**

- (54) **SEAT**
- (71) Applicant: **SOUTHERN MOTION, INC.**,
Pontotoc, MS (US)
- (72) Inventor: **George K Dix**, Pontotoc, MS (US)
- (73) Assignee: **SOUTHERN MOTION, INC.**,
Pontotoc, MS (US)
- (**) Term: **14 Years**
- (21) Appl. No.: **29/517,936**
- (22) Filed: **Feb. 18, 2015**
- (51) **LOC (10) Cl.** **06-01**
- (52) **U.S. Cl.**
USPC **D6/381**
- (58) **Field of Classification Search**
USPC 22/334–338, 349, 355, 361, 368–370,
22/376, 379–381, 716, 716.1, 716.2, 340,
22/354, 377, 709, 710, 716.4, 367;
297/16.1, 42, 94, 135, 175, 232, 233,
297/350, 351, 445.1, 448.1, 448.2, 451.9,
297/452.1, DIG. 7; 5/12.1, 12.2
CPC A47C 1/02; A47C 1/024; A47C 7/18;
A47C 7/24; A47C 17/00; A47C 17/02;
A47C 17/175
See application file for complete search history.

- D485,087 S * 1/2004 Natuzzi D6/381
- D497,056 S * 10/2004 Ricci D6/381
- D521,762 S * 5/2006 Ricci D6/381

* cited by examiner

Primary Examiner — Sandra Snapp
(74) *Attorney, Agent, or Firm* — Thomas G. Peterson;
Bradley Arant Boult Cummings LLP

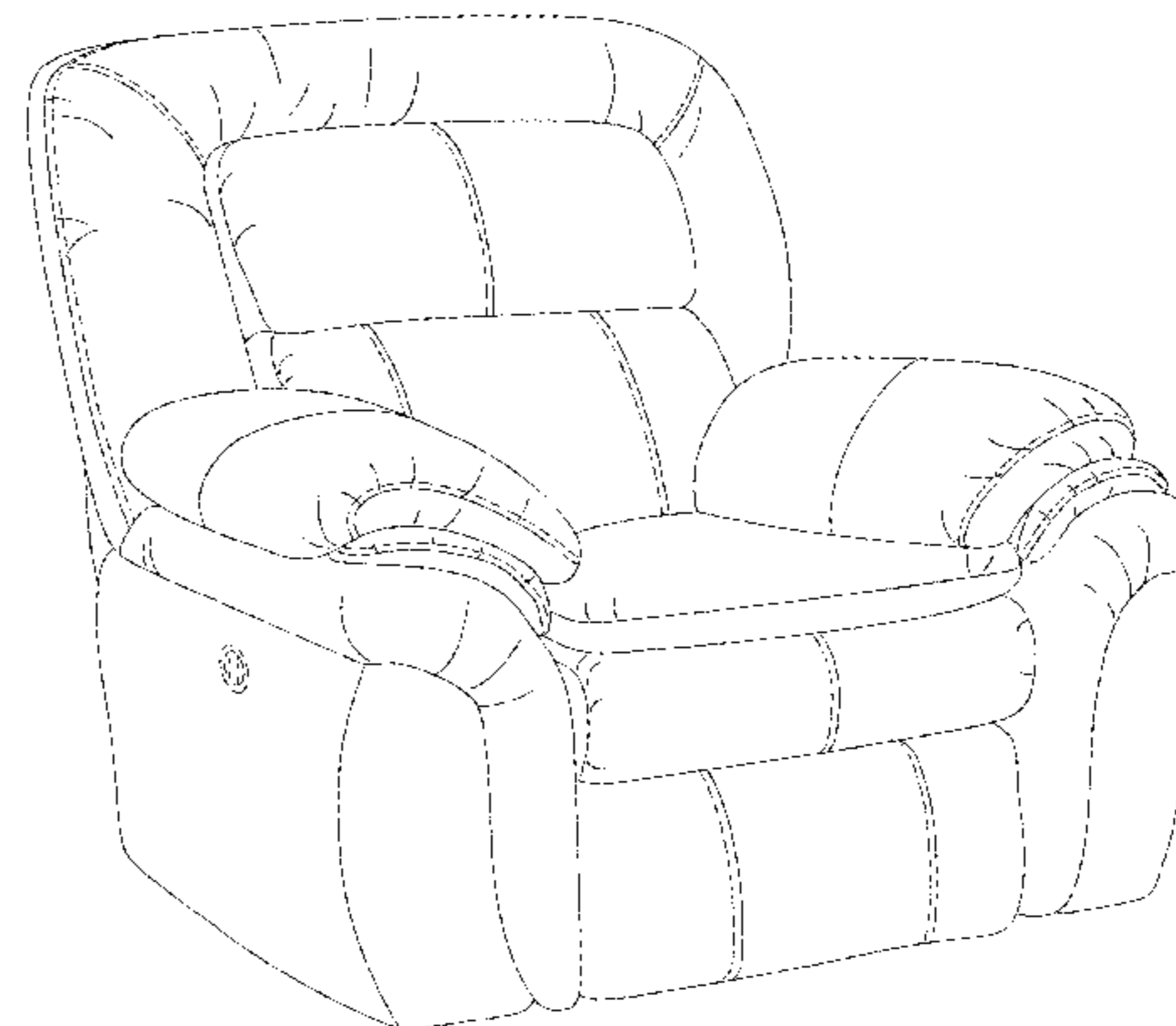
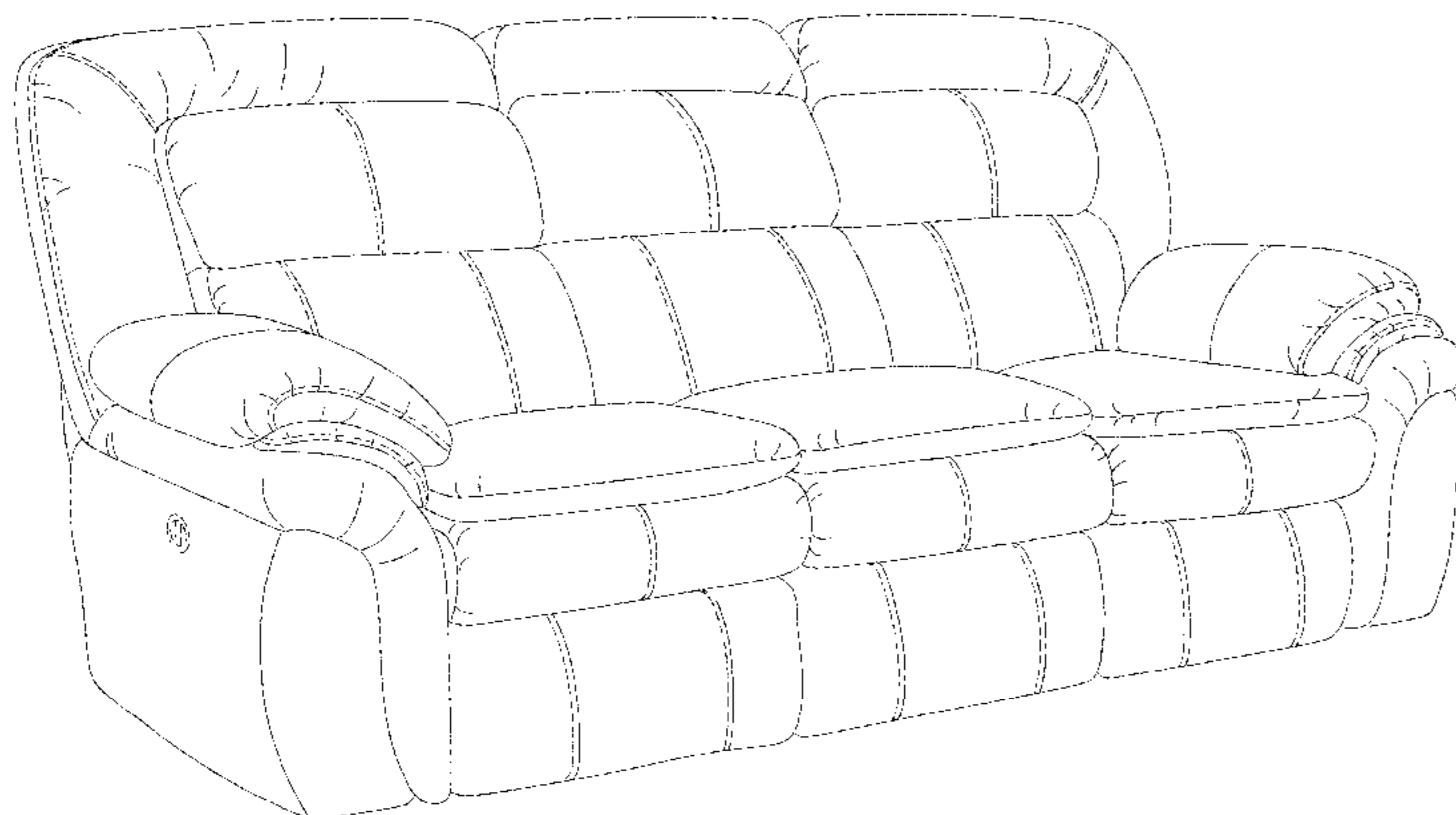
(57) **CLAIM**
The ornamental design for a seat, as shown and described.

DESCRIPTION

FIG. 1 shows a perspective view of a first embodiment of the seat in accordance with the new design.
 FIG. 2 shows a front elevation view of the embodiment of FIG. 1.
 FIG. 3 shows a rear view of the embodiment of FIG. 1.
 FIG. 4 shows a top view of the embodiment of FIG. 1.
 FIG. 5 shows a side view of the embodiment of FIG. 1.
 FIG. 6 shows a perspective view of a second embodiment of the seat in accordance with the new design.
 FIG. 7 shows a front elevation view of the embodiment of FIG. 6.
 FIG. 8 shows a rear view of the embodiment of FIG. 6.
 FIG. 9 shows a top view of the embodiment of FIG. 6.
 FIG. 10 shows a perspective view of a third embodiment of the seat in accordance with the new design.
 FIG. 11 shows a front elevation view of the embodiment of FIG. 10.
 FIG. 12 shows a rear view of the embodiment of FIG. 10; and,
 FIG. 13 shows a top view of the embodiment of FIG. 10.
 The dashed lines shown in the drawings illustrate environmental structure and form no part of the claimed design.

1 Claim, 13 Drawing Sheets

- (56) **References Cited**
U.S. PATENT DOCUMENTS
D429,079 S * 8/2000 Natuzzi et al. D6/381
D431,387 S * 10/2000 Natuzzi et al. D6/381
D454,718 S * 3/2002 Natuzzi et al. D6/381



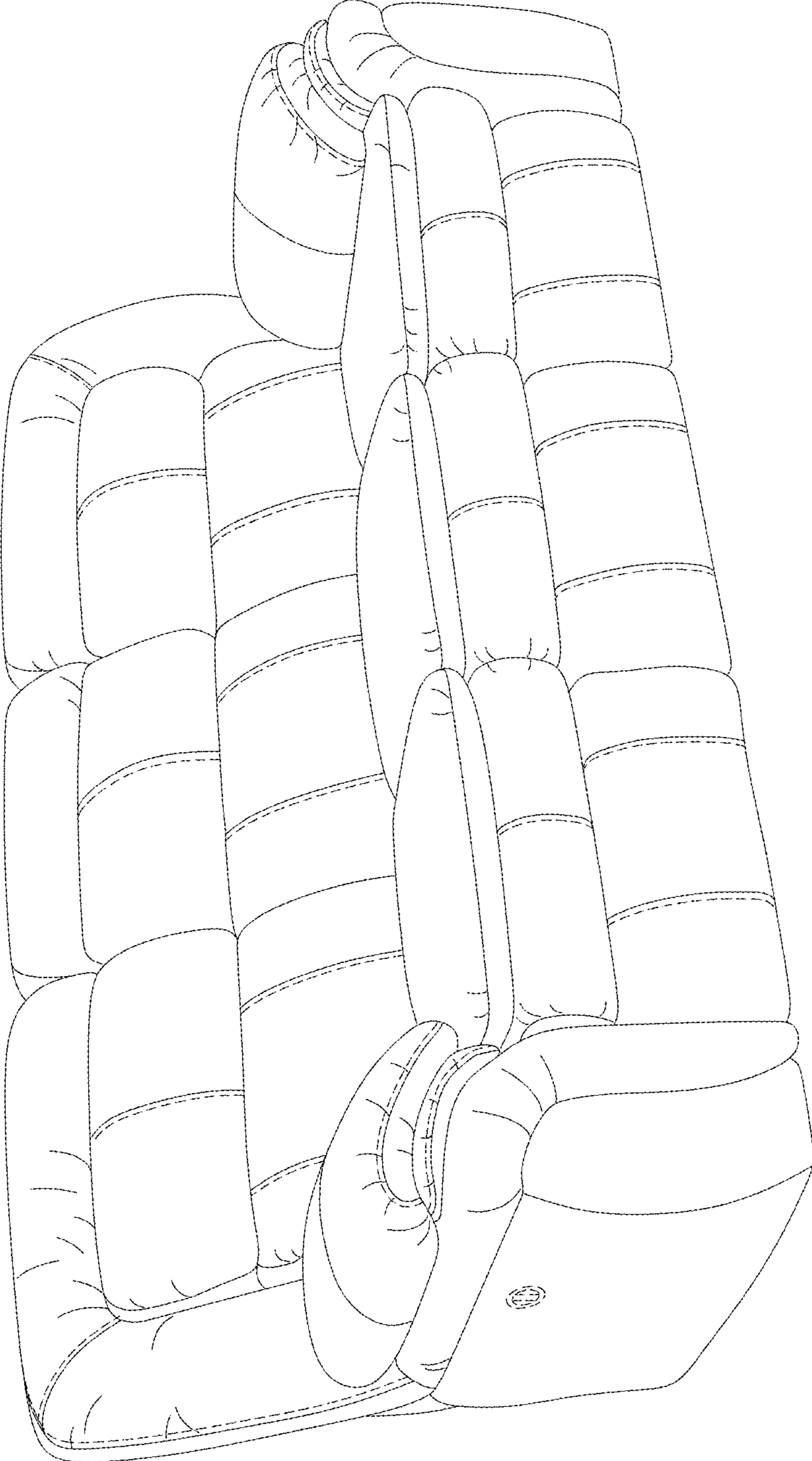


FIG. 1

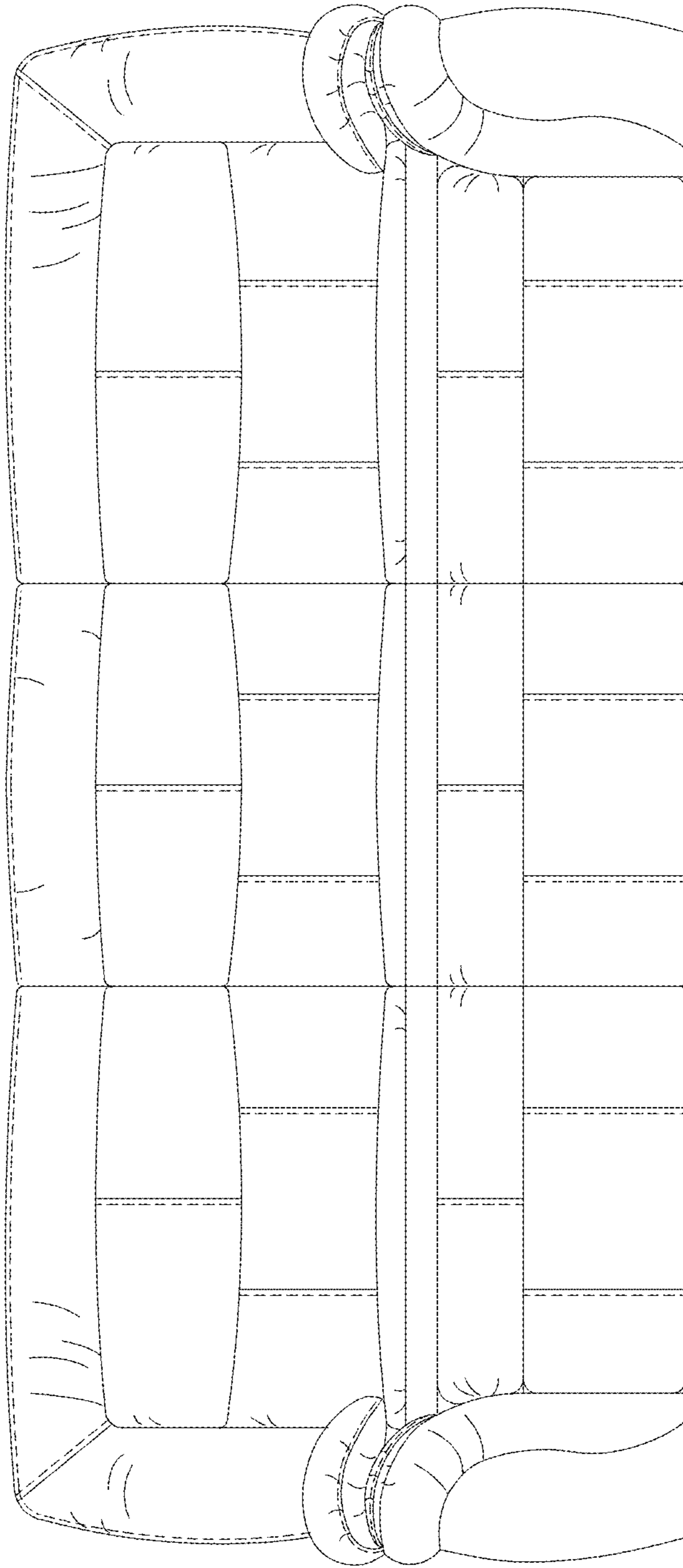


FIG. 2

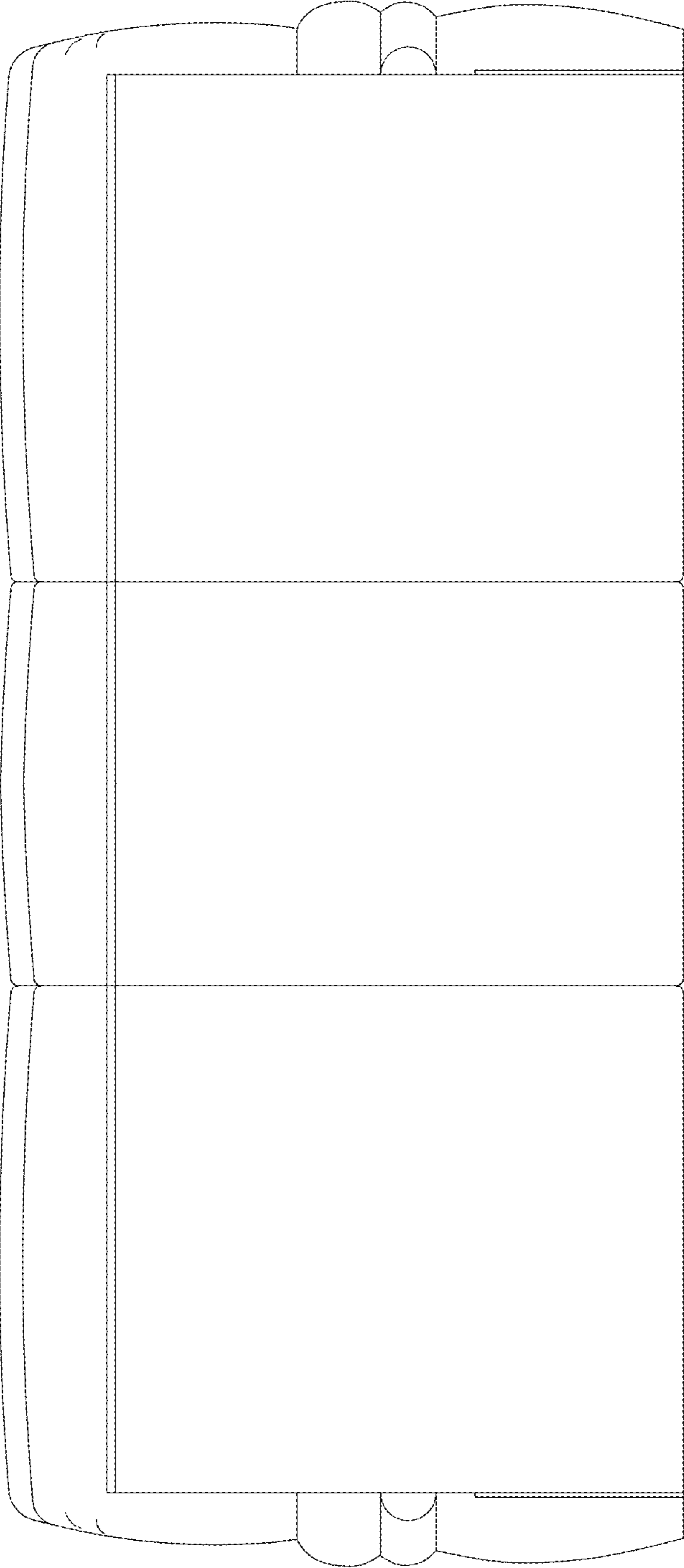


FIG. 3

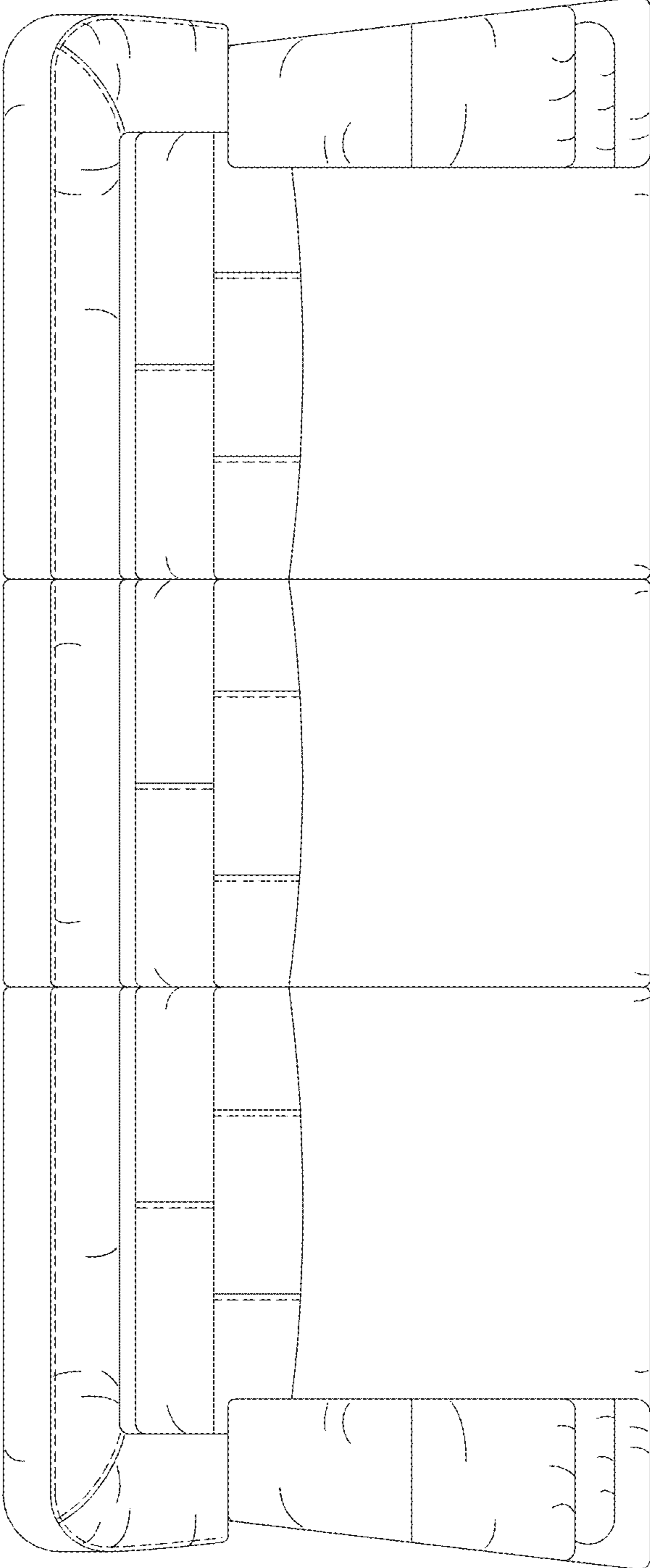


FIG. 4

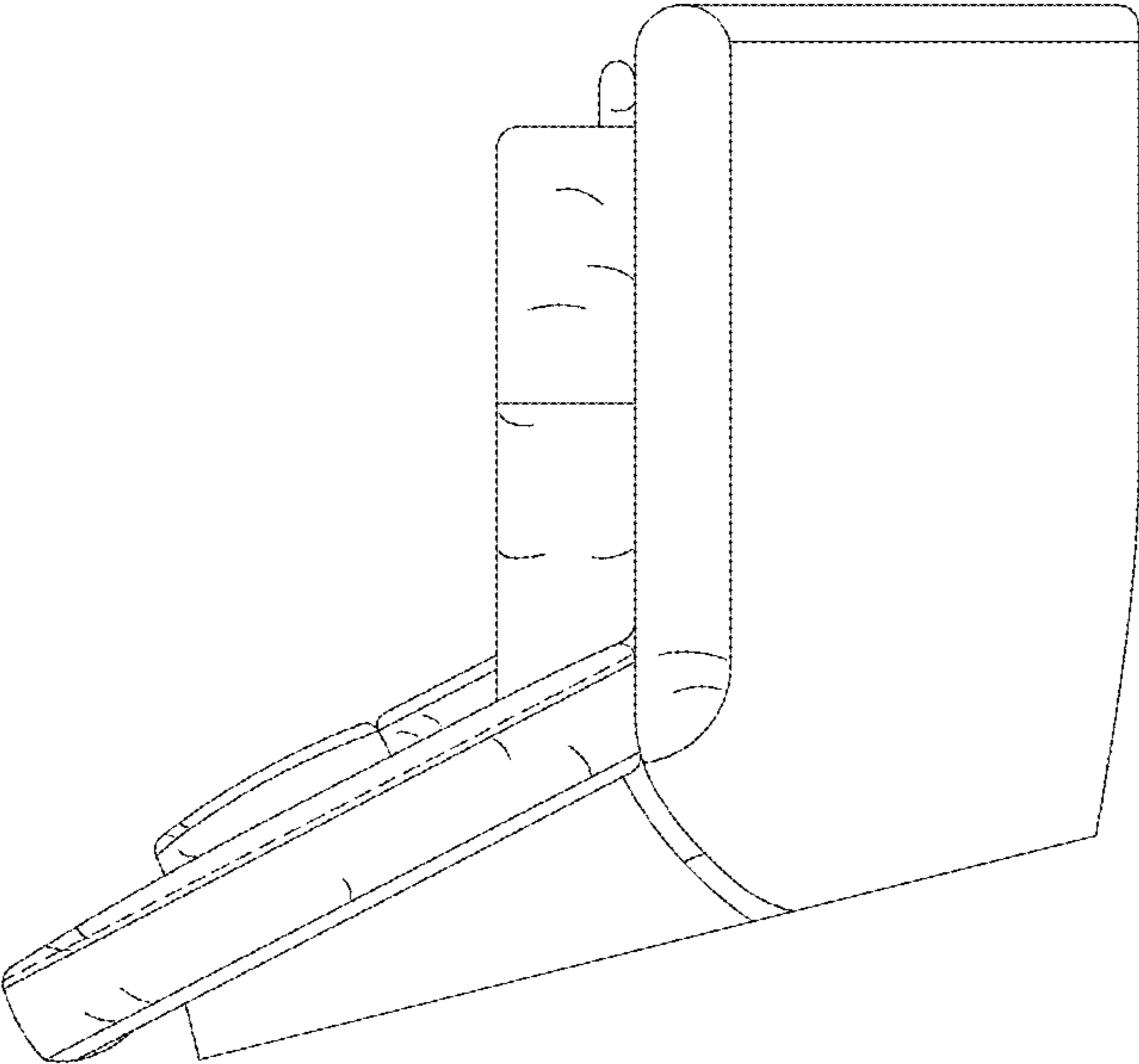


FIG. 5



FIG. 6

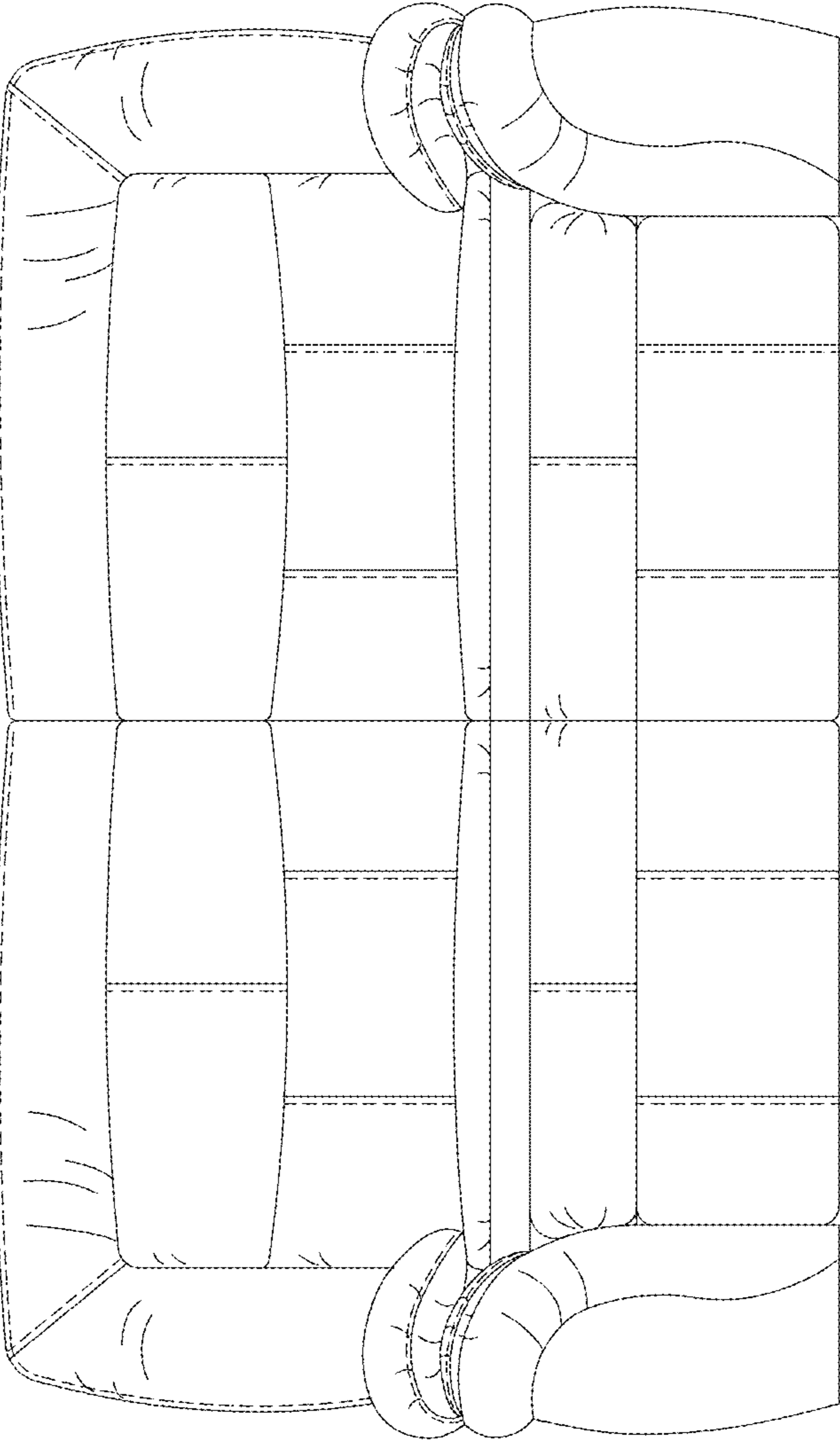


FIG. 7

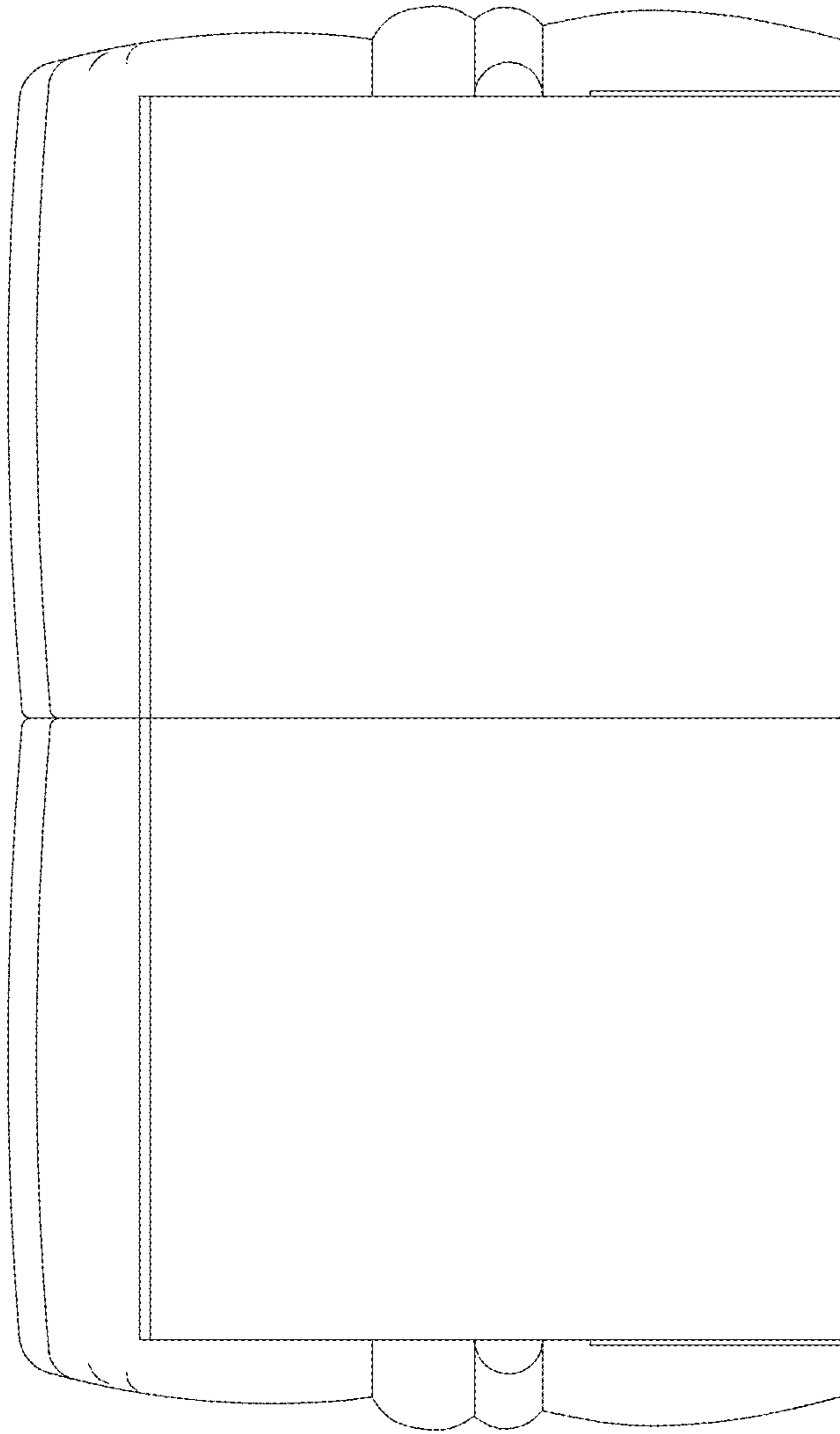


FIG. 8

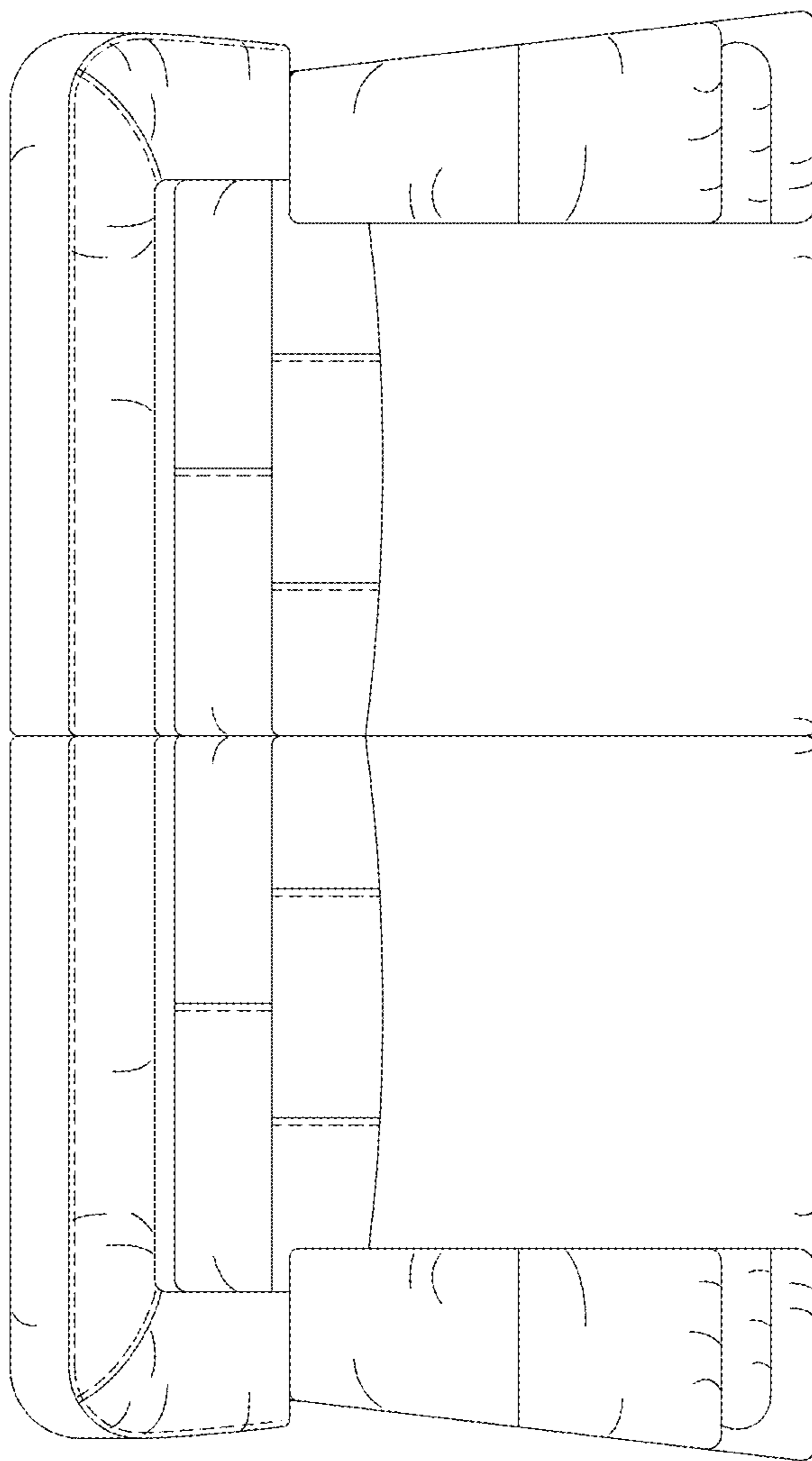


FIG. 9



FIG. 10

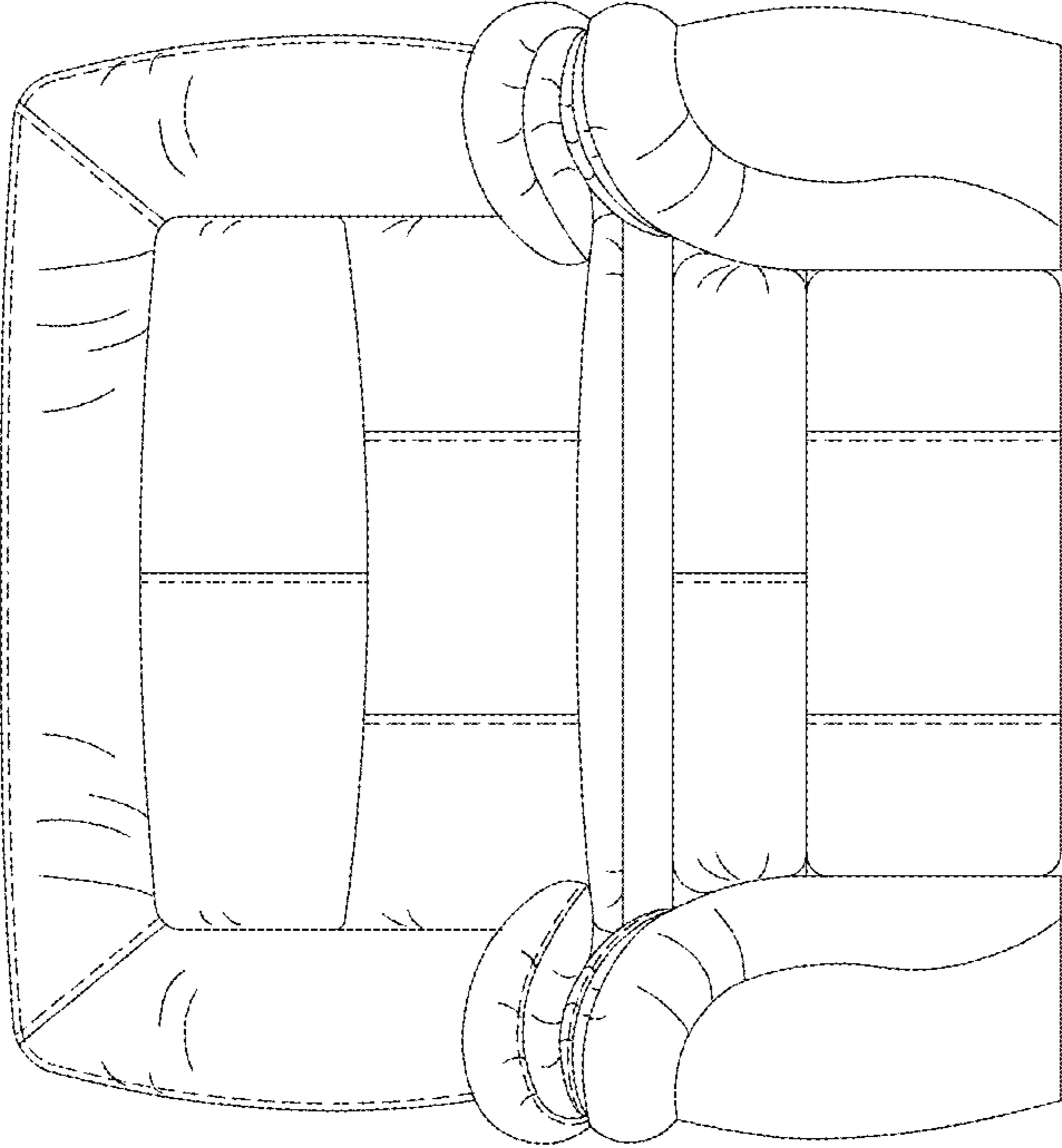


FIG. 11

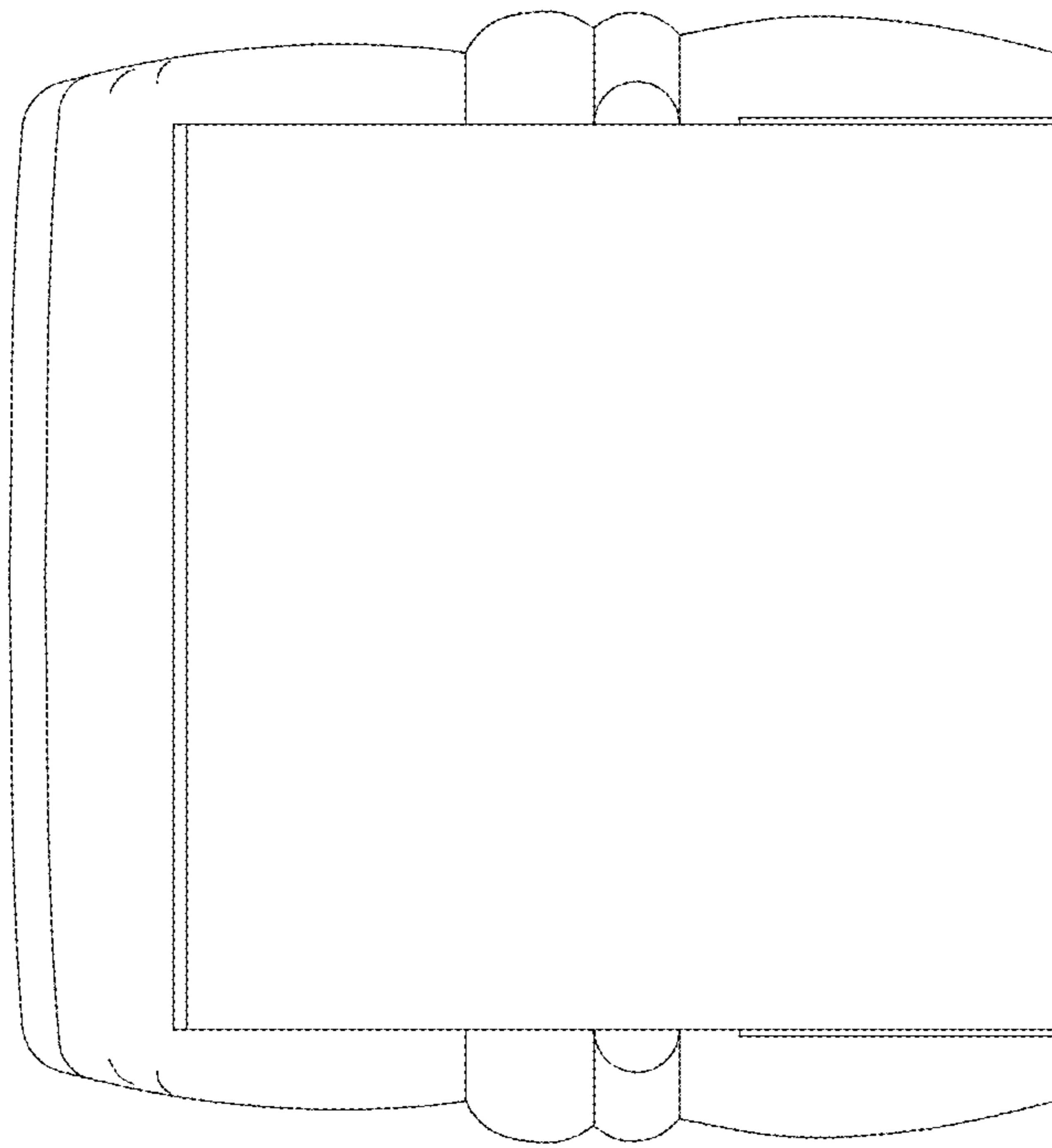


FIG. 12

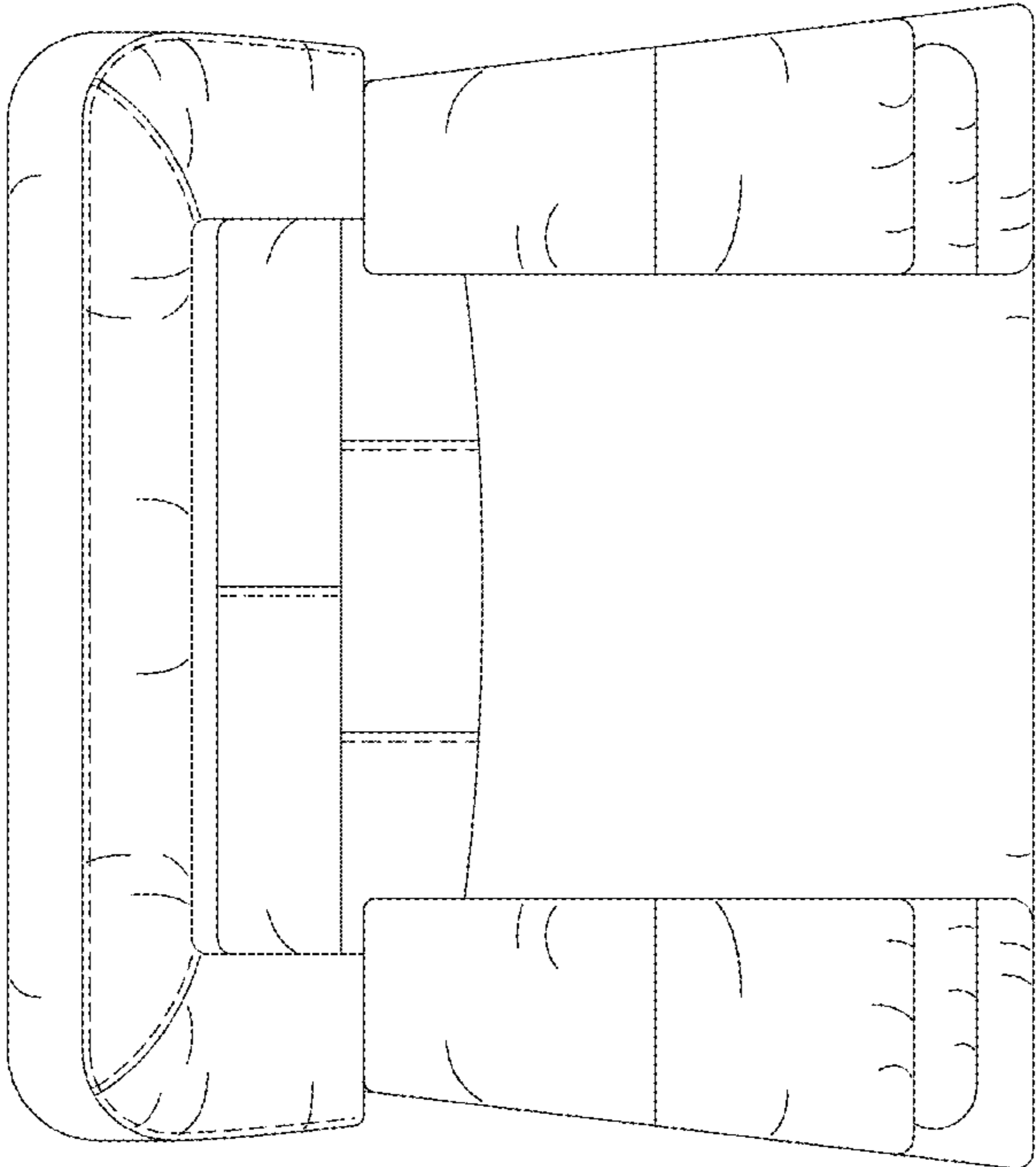


FIG. 13