



US00D741072S

(12) **United States Design Patent**
Fernandez et al.

(10) **Patent No.:** **US D741,072 S**
(45) **Date of Patent:** **** Oct. 20, 2015**

(54) **CHAIR**

(71) Applicants: **Cesar Fernandez**, Cambridge (CA);
Gary Neil, Mississauga (CA)

(72) Inventors: **Cesar Fernandez**, Cambridge (CA);
Gary Neil, Mississauga (CA)

(73) Assignee: **Allseating Corporation**, Mississauga (CA)

(**) Term: **14 Years**

(21) Appl. No.: **29/511,238**

(22) Filed: **Dec. 9, 2014**

(51) **LOC (10) Cl.** **06-01**

(52) **U.S. Cl.**
USPC **D6/335; D6/367**

(58) **Field of Classification Search**
USPC 22/334–338, 349, 355, 361, 368–370,
22/376, 379–381, 716, 716.1, 716.2, 340,
22/354, 377, 709, 710, 716.4, 367;
297/16.1, 42, 94, 135, 175, 232, 233,
297/350, 351, 445.1, 448.1, 448.2, 451.9,
297/452.1, DIG. 7; 5/12.1, 12.2
CPC A47C 1/02; A47C 1/024; A47C 7/18;
A47C 7/24; A47C 17/00; A47C 17/02;
A47C 17/175

See application file for complete search history.

(56) **References Cited**

U.S. PATENT DOCUMENTS

D179,625 S *	2/1957	Maurer	D21/590
D315,123 S *	3/1991	Spiegel et al.	D12/131
D416,395 S *	11/1999	George et al.	D6/367
D442,375 S *	5/2001	Stammberger	D6/335
D447,350 S *	9/2001	Carlson	D6/336
D447,639 S *	9/2001	Carlson	D6/336
D489,908 S *	5/2004	Ricci	D6/334
D501,095 S *	1/2005	Zydko Hoyas et al.	D6/335
D547,087 S *	7/2007	Natuzzi	D6/381
D578,782 S *	10/2008	Cramer et al.	D6/334
D586,138 S *	2/2009	Potter	D6/367
D699,043 S *	2/2014	McNae	D6/335
D699,960 S *	2/2014	Potter	D6/367

* cited by examiner

Primary Examiner — Sandra Snapp

(57) **CLAIM**

The ornamental design for the chair, as shown and described.

DESCRIPTION

FIG. 1 is perspective view of the chair;
 FIG. 2 is a right side view of the chair;
 FIG. 3 is a front elevation view of the chair;
 FIG. 4 is a left side view of the chair;
 FIG. 5 is a back side view of the chair;
 FIG. 6 is a top side view of the chair;
 FIG. 7 is a perspective partially extended position view of the chair;
 FIG. 8 is a right partially extended position view of the chair;
 FIG. 9 is a front partially extended position view of the chair;
 FIG. 10 is a left partially extended position view of the chair;
 FIG. 11 is a back partially extended position view of the chair;
 FIG. 12 is a top partially extended position view of the chair;
 FIG. 13 is a perspective fully extended position view of the chair;
 FIG. 14 is a right fully extended position view of the chair;
 FIG. 15 is a front fully extended position view of the chair;
 FIG. 16 is a left fully extended position view of the chair;
 FIG. 17 is a back fully extended position view of the chair;
 FIG. 18 is a top fully extended position view of the chair;
 In accordance with a second embodiment of the present design:
 FIG. 19 is a perspective view of the chair;
 FIG. 20 is a right side view of the chair;
 FIG. 21 is a front elevation view of the chair;
 FIG. 22 is a left side view of the chair;
 FIG. 23 is a back side view of the chair;
 FIG. 24 is a top side view of the chair;
 FIG. 25 is a perspective partially extended position view of the chair;
 FIG. 26 is a right partially extended position view of the chair;
 FIG. 27 is a front partially extended position view of the chair;
 FIG. 28 is a left partially extended position view of the chair;
 FIG. 29 is a back partially extended position view of the chair;
 FIG. 30 is a top partially extended position view of the chair;
 FIG. 31 is a perspective fully extended position view of the chair;

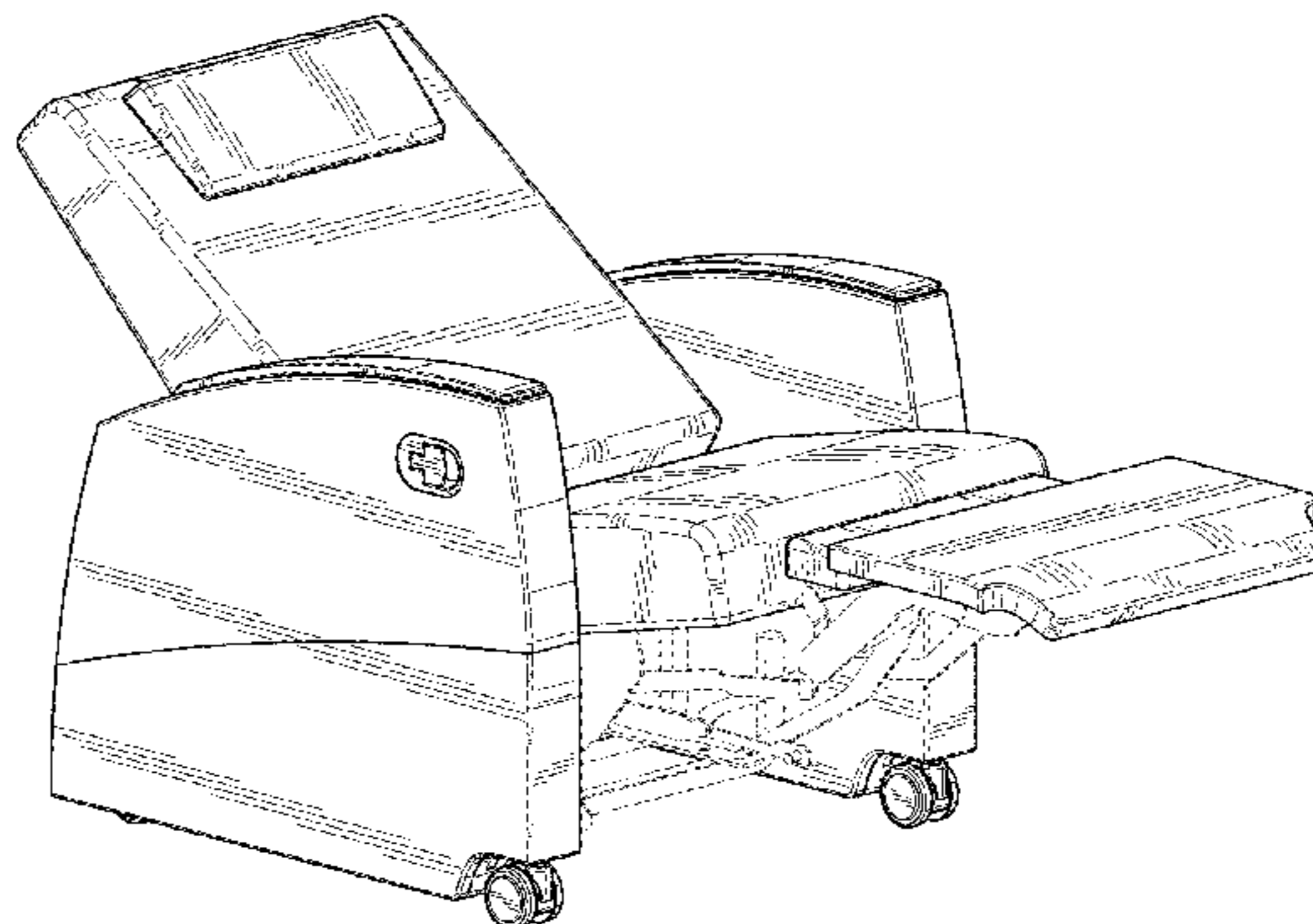
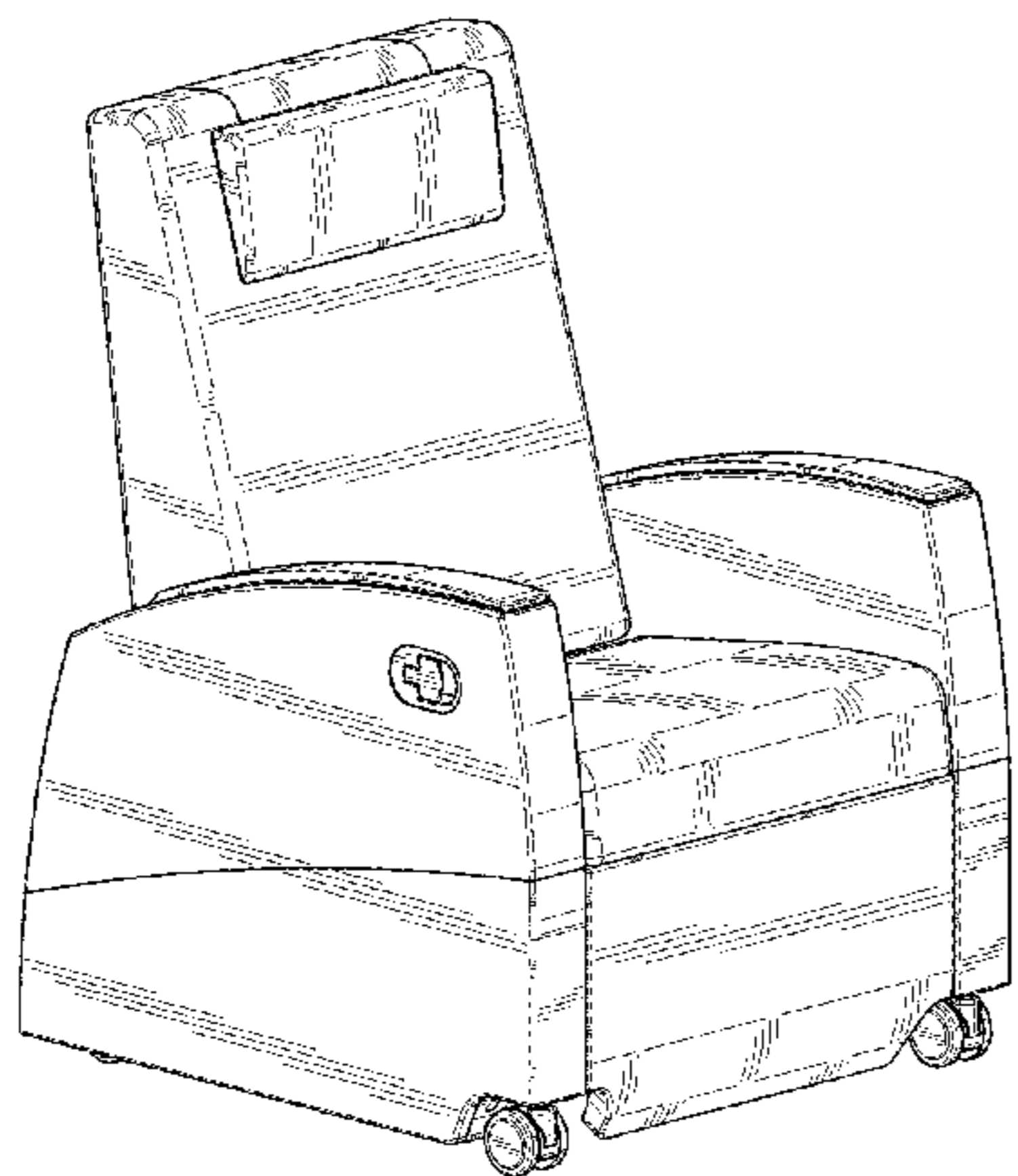


FIG. 32 is a right fully extended position view of the chair;
FIG. 33 is a front fully extended position view of the chair;
FIG. 34 is a left fully extended position view of the chair;
FIG. 35 is a back fully extended position view of the chair;
FIG. 36 is a top fully extended position view of the chair;
In accordance with a third embodiment of the present design:
FIG. 37 is a perspective view of the chair;
FIG. 38 is a right side view of the chair;
FIG. 39 is a front elevation view of the chair;
FIG. 40 is a left side view of the chair;
FIG. 41 is a back side view of the chair;
FIG. 42 is a top side view of the chair;
FIG. 43 is a perspective partially extended position view of the chair;
FIG. 44 is a right partially extended position view of the chair;
FIG. 45 is a front partially extended position view of the chair;
FIG. 46 is a left partially extended position view of the chair;
FIG. 47 is a back partially extended position view of the chair;
FIG. 48 is a top partially extended position view of the chair;
FIG. 49 is a perspective fully extended position view of the chair;
FIG. 50 is a right fully extended position view of the chair;
FIG. 51 is a front fully extended position view of the chair;
FIG. 52 is a left fully extended position view of the chair;
FIG. 53 is a back fully extended position view of the chair;

FIG. 54 is a top fully extended position view of the chair;
In accordance with a fourth embodiment of the present design:
FIG. 55 is a perspective view of the chair;
FIG. 56 is a right side view of the chair;
FIG. 57 is a front elevation view of the chair;
FIG. 58 is a left side view of the chair;
FIG. 59 is a back side view of the chair;
FIG. 60 is a top side view of the chair;
FIG. 61 is a perspective partially extended position view of the chair;
FIG. 62 is a right partially extended position view of the chair;
FIG. 63 is a front partially extended position view of the chair;
FIG. 64 is a left partially extended position view of the chair;
FIG. 65 is a back partially extended position view of the chair;
FIG. 66 is a top partially extended position view of the chair;
FIG. 67 is a perspective fully extended position view of the chair;
FIG. 68 is a right fully extended position view of the chair;
FIG. 69 is a front fully extended position view of the chair;
FIG. 70 is a left fully extended position view of the chair;
FIG. 71 is a back fully extended position view of the chair;
and,
FIG. 72 is a top fully extended position view of the chair.

1 Claim, 48 Drawing Sheets

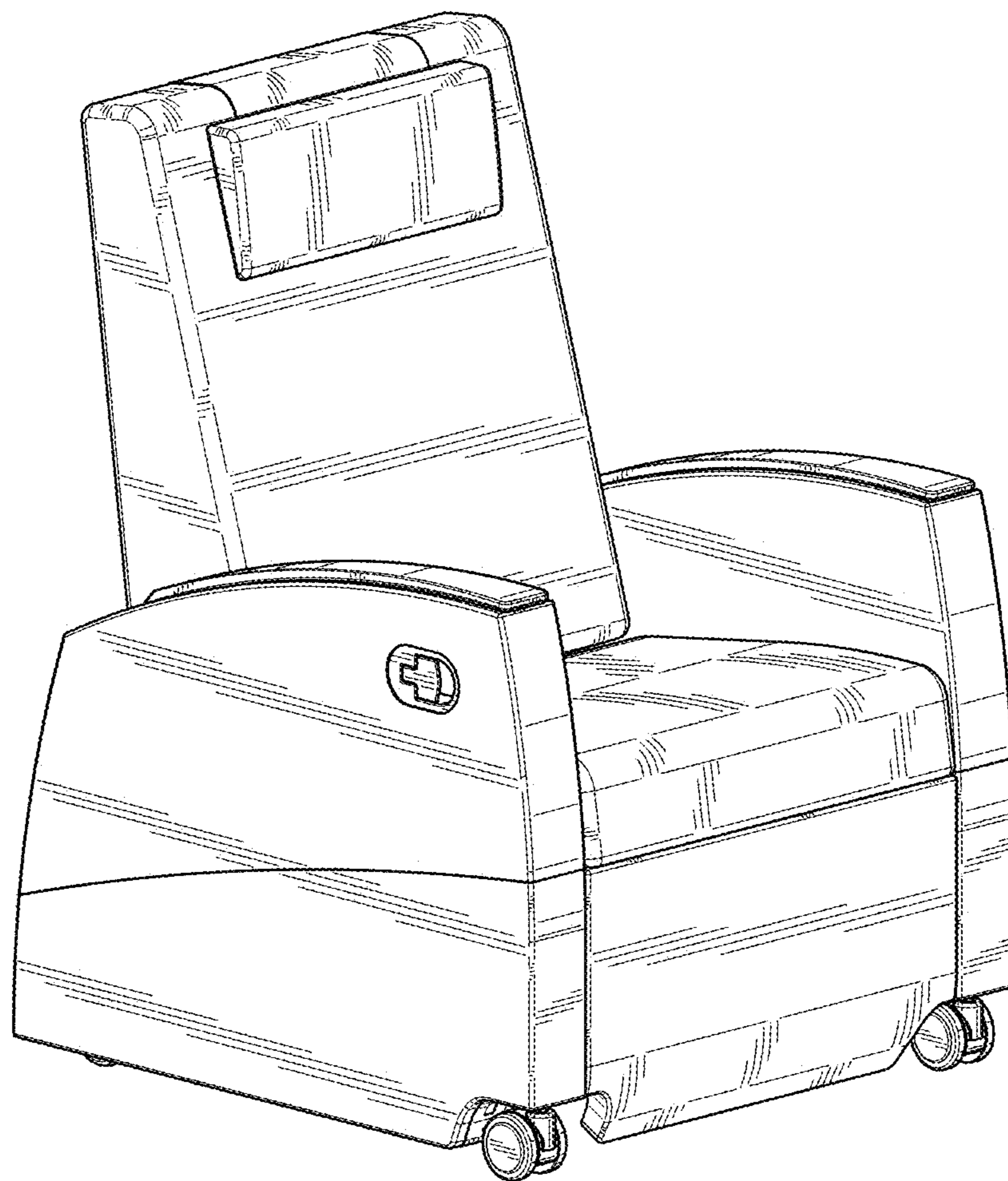


FIG. 1

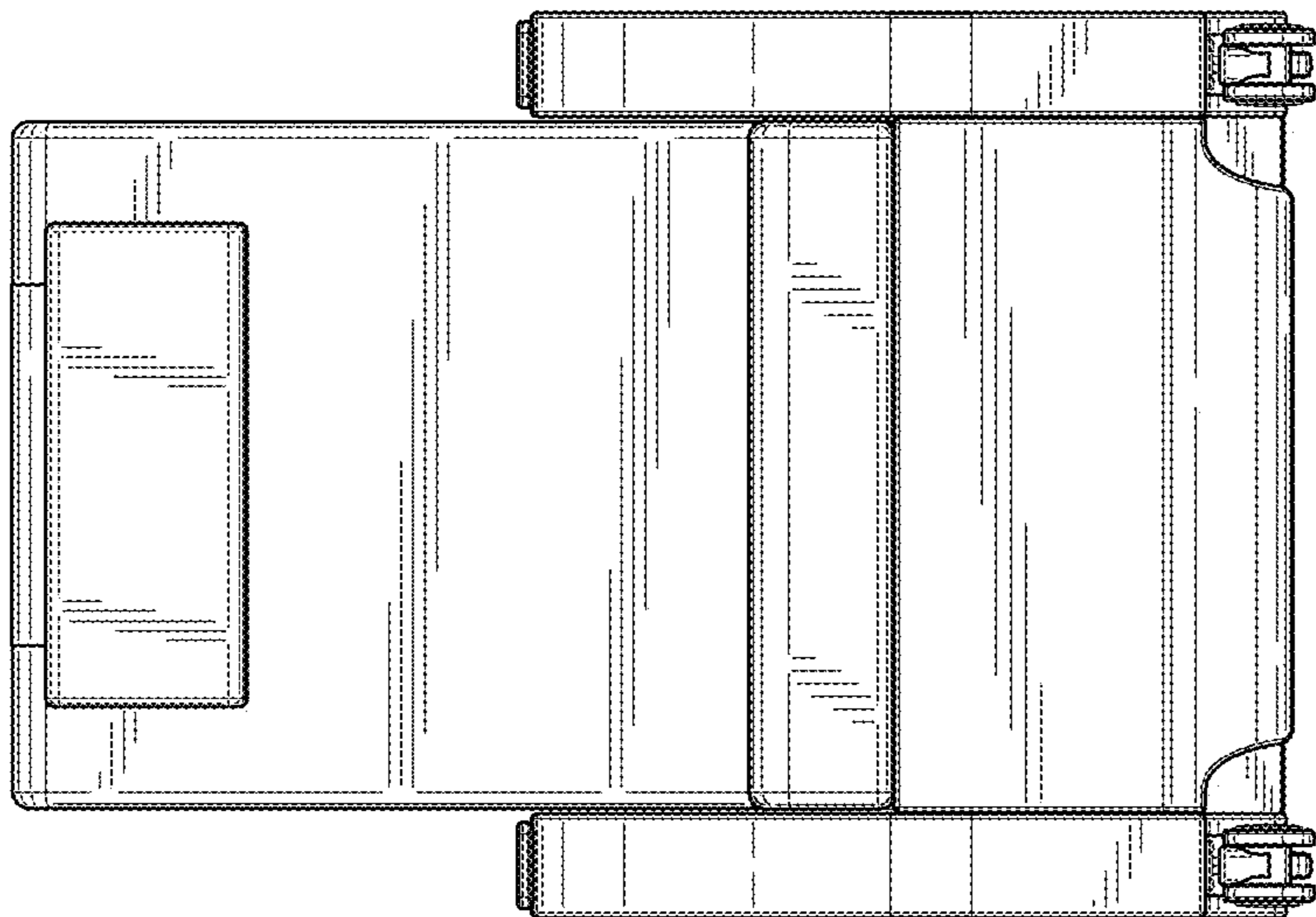


FIG. 3

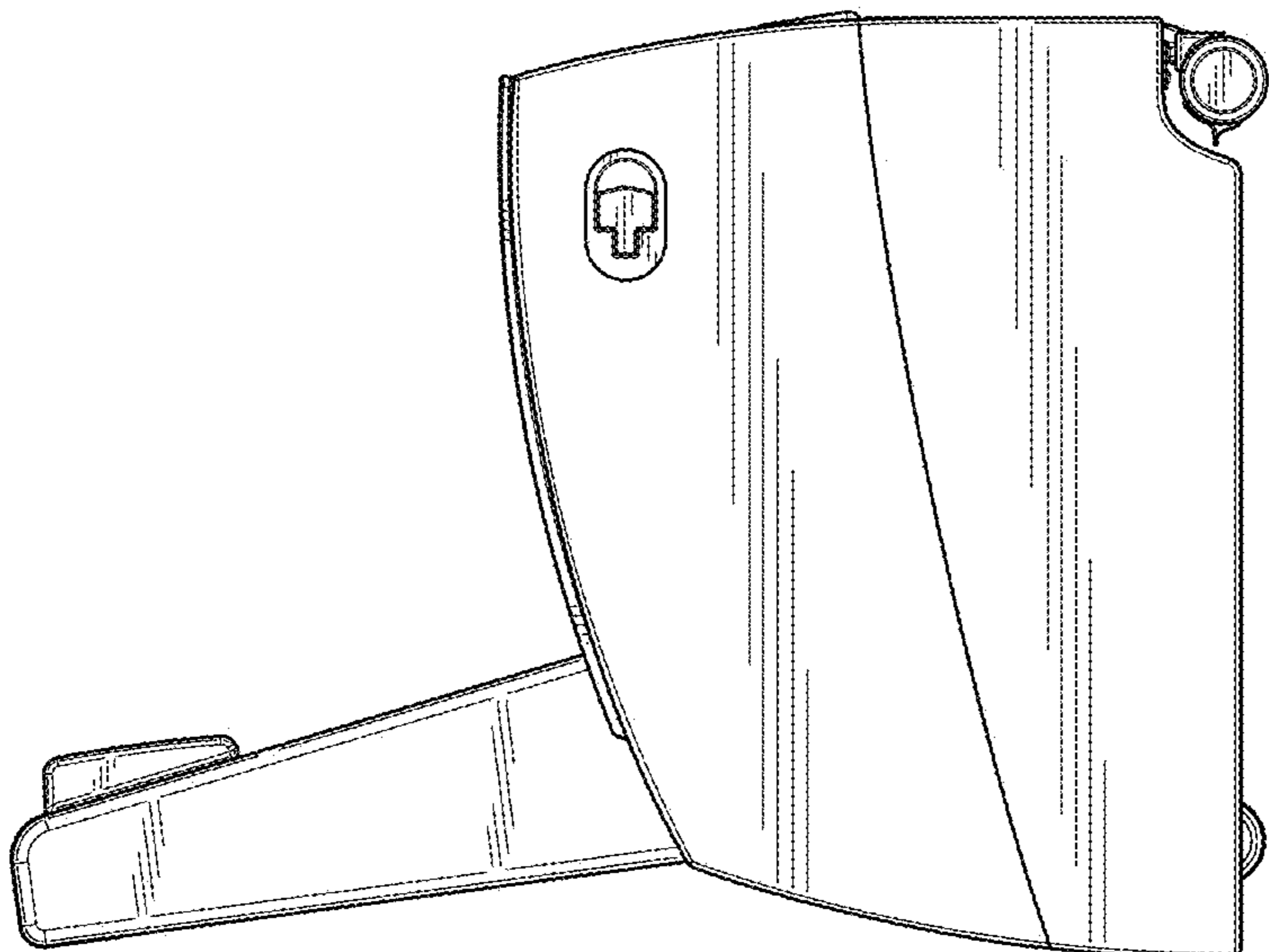


FIG. 2

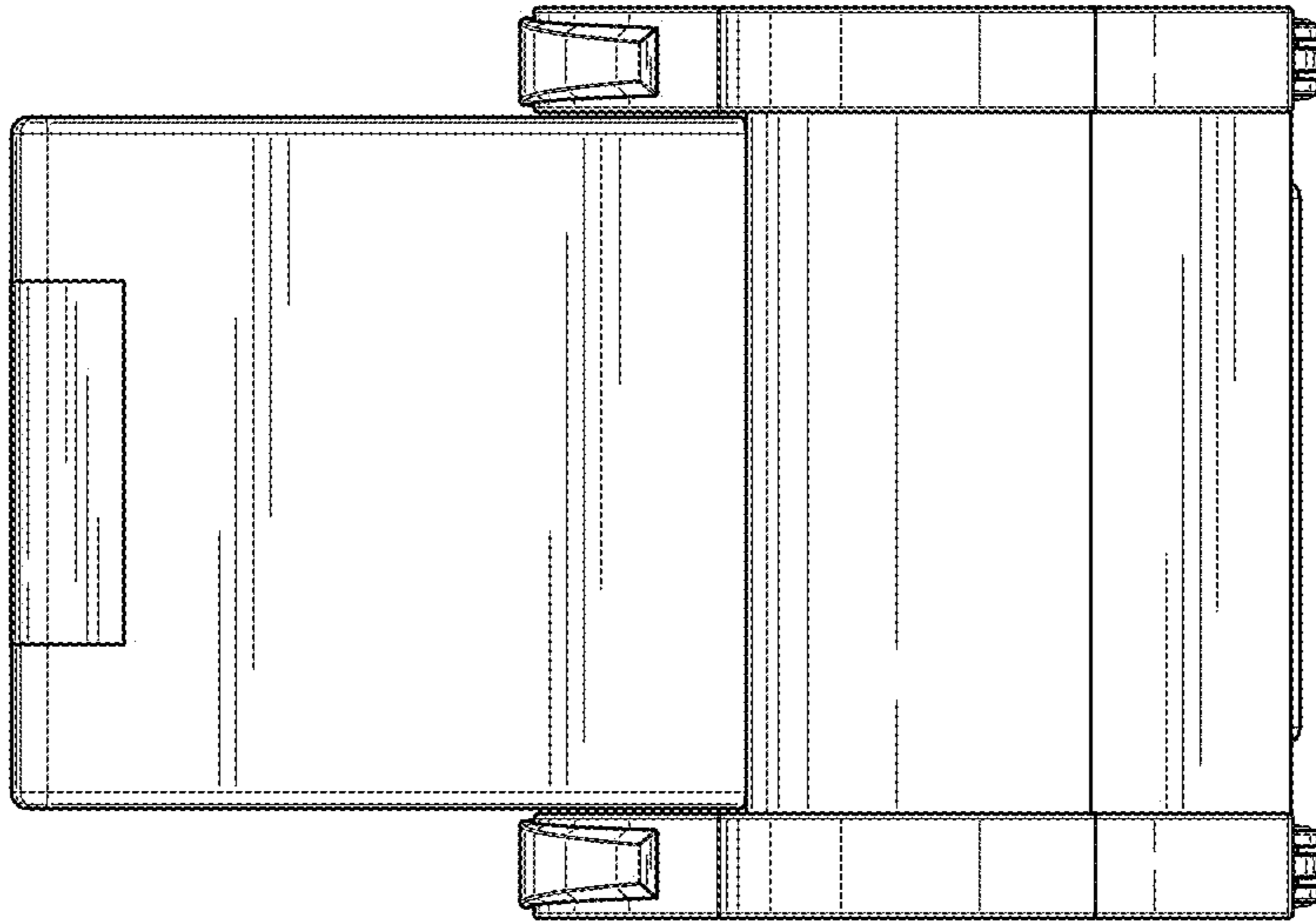


FIG. 5

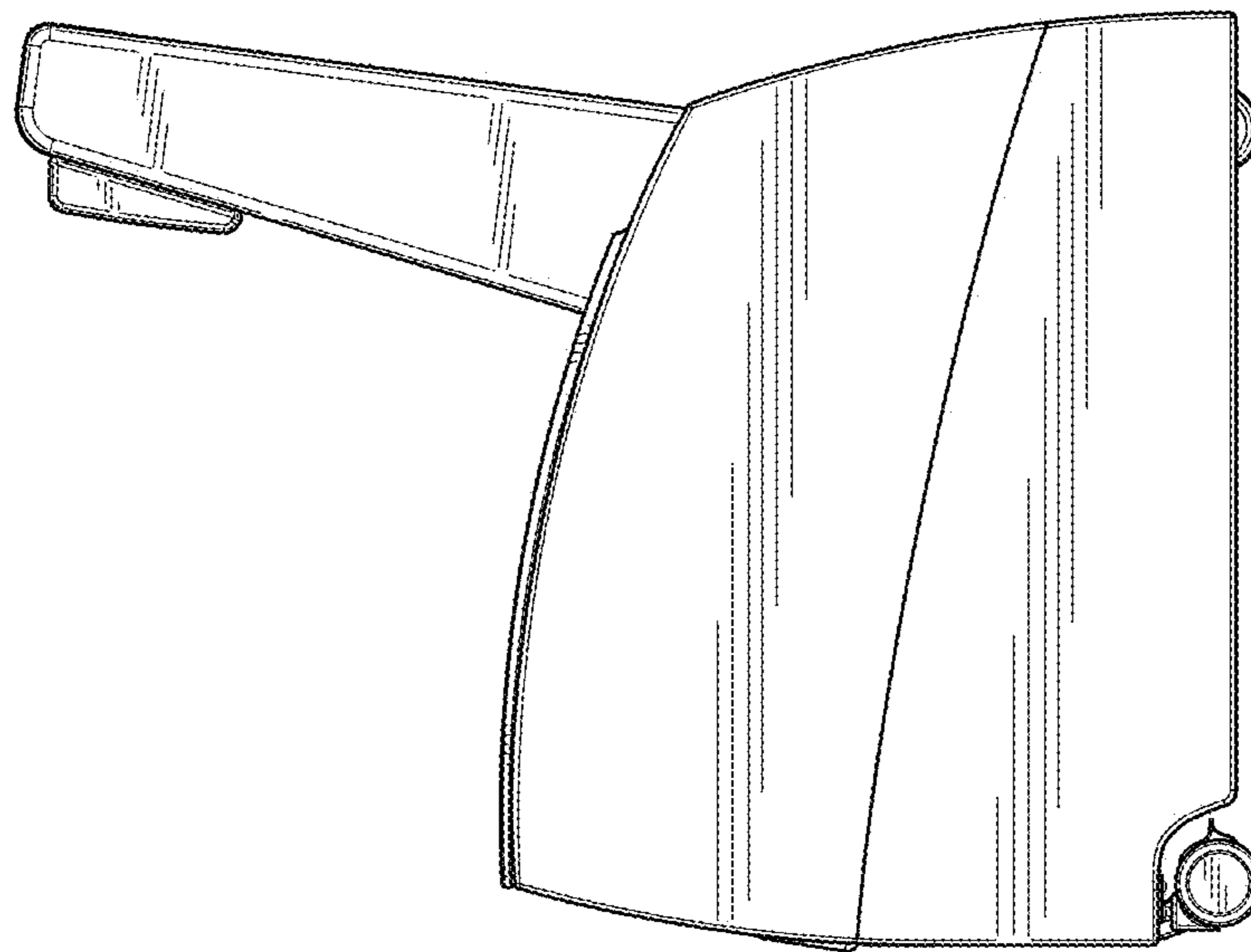


FIG. 4

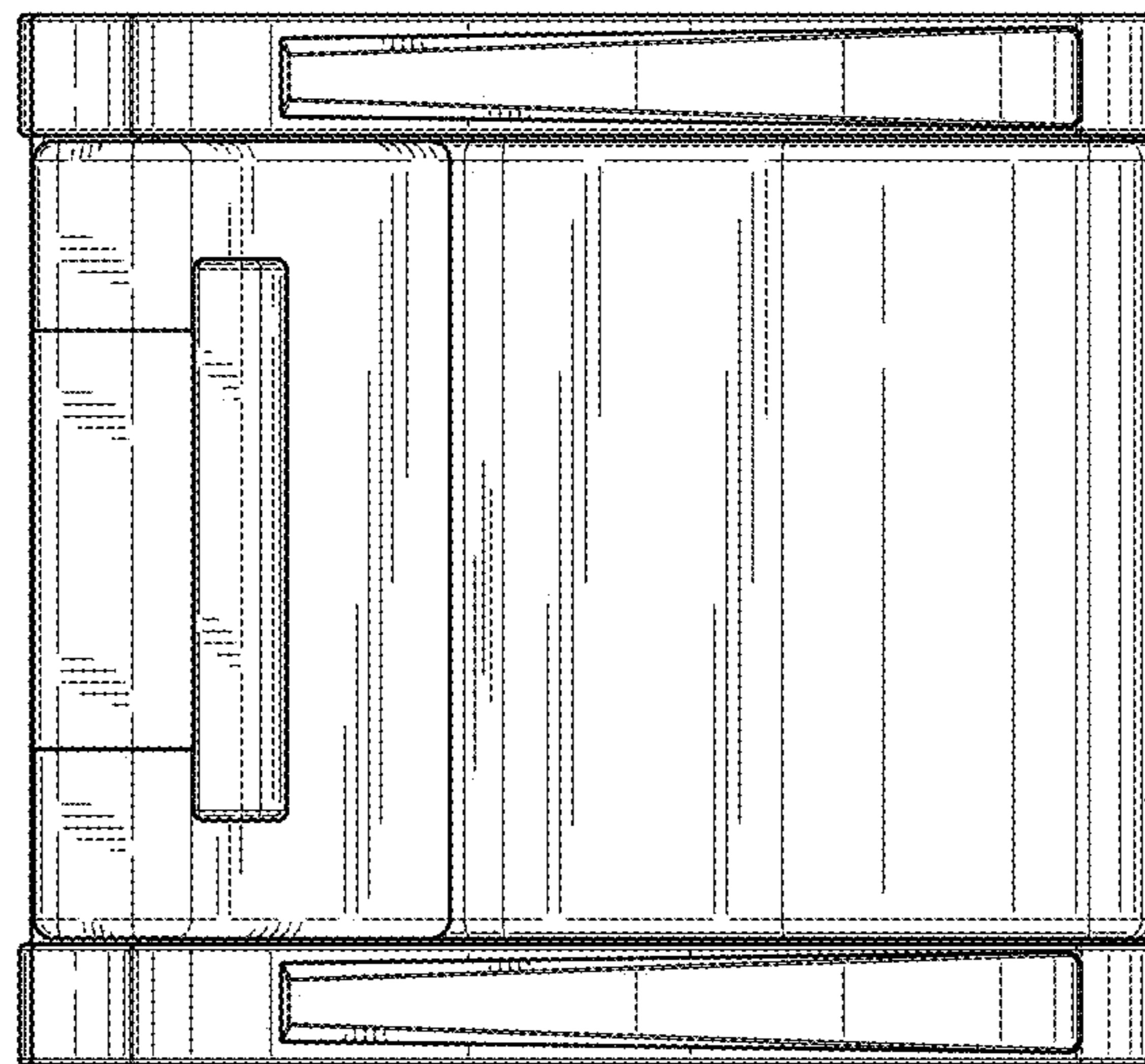


FIG. 6

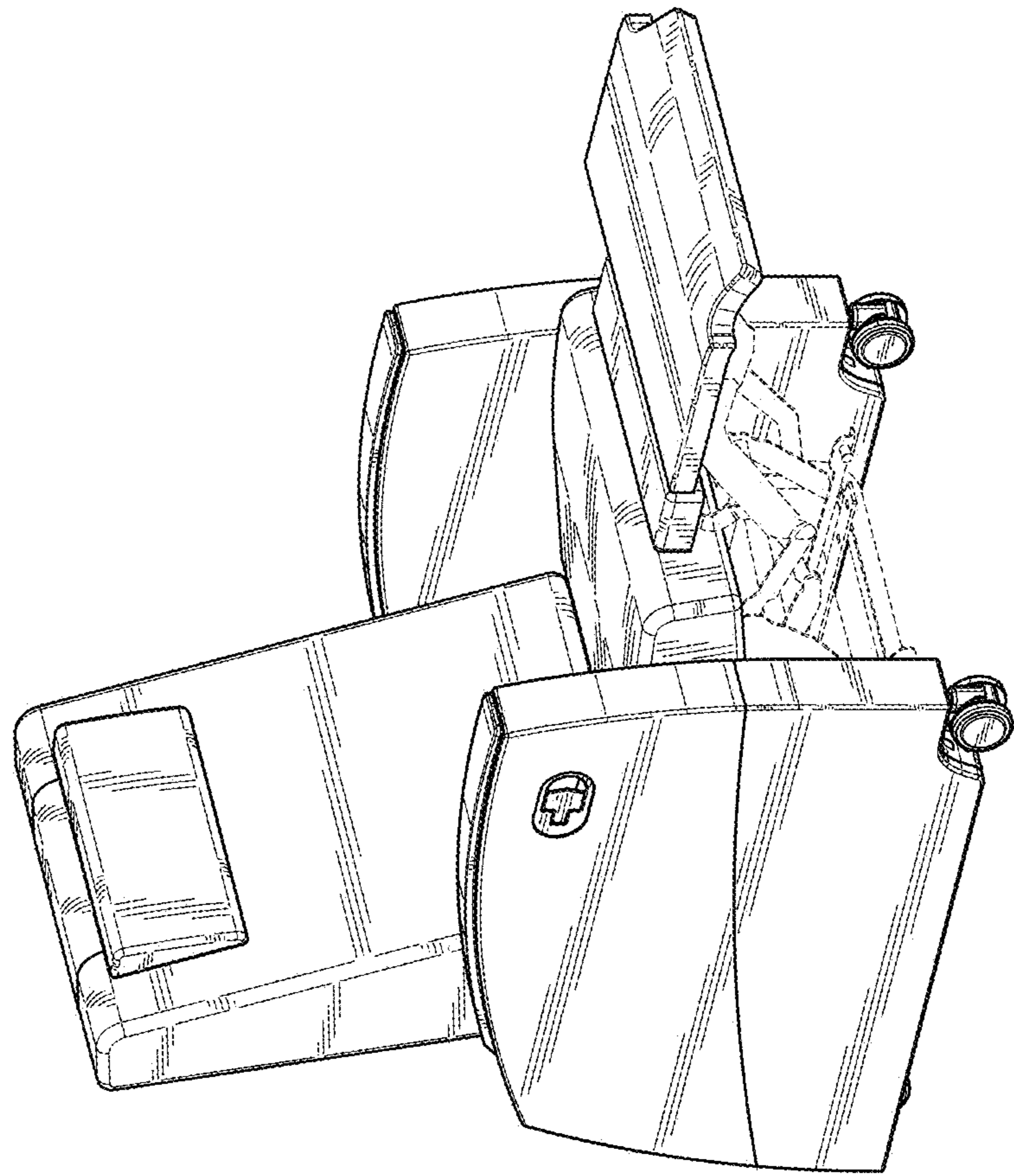


FIG. 7

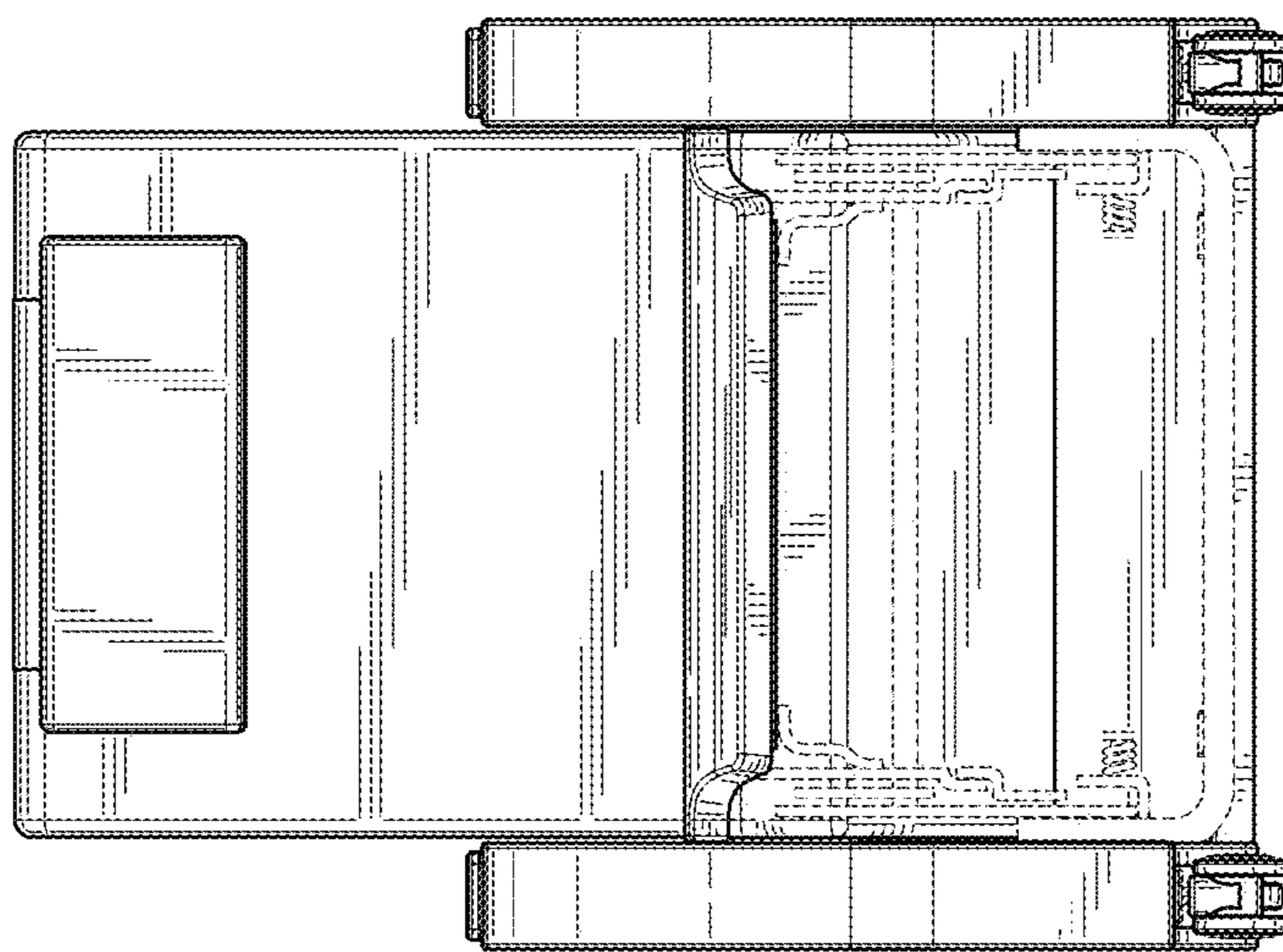


FIG. 9

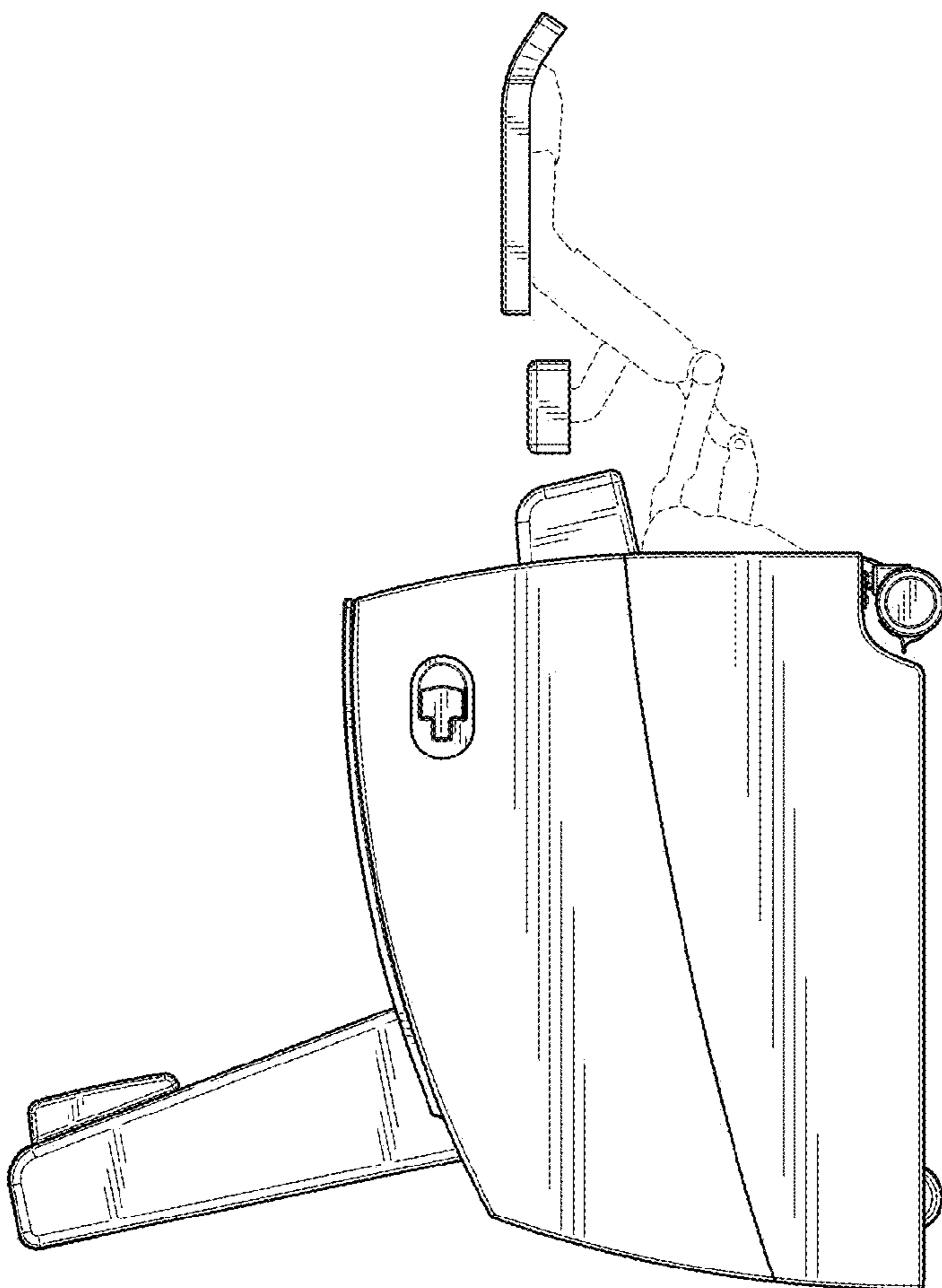


FIG. 8

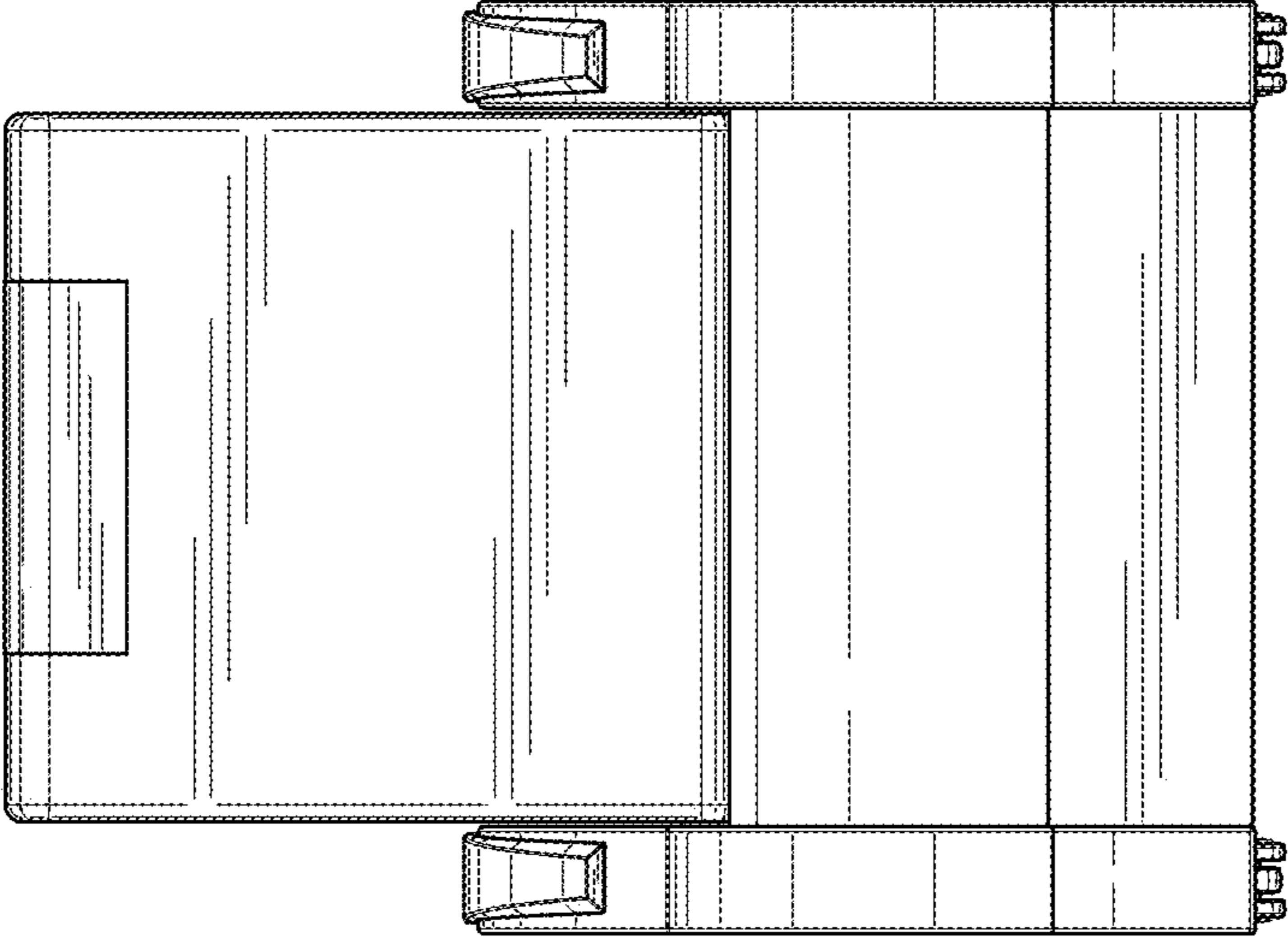


FIG. 11

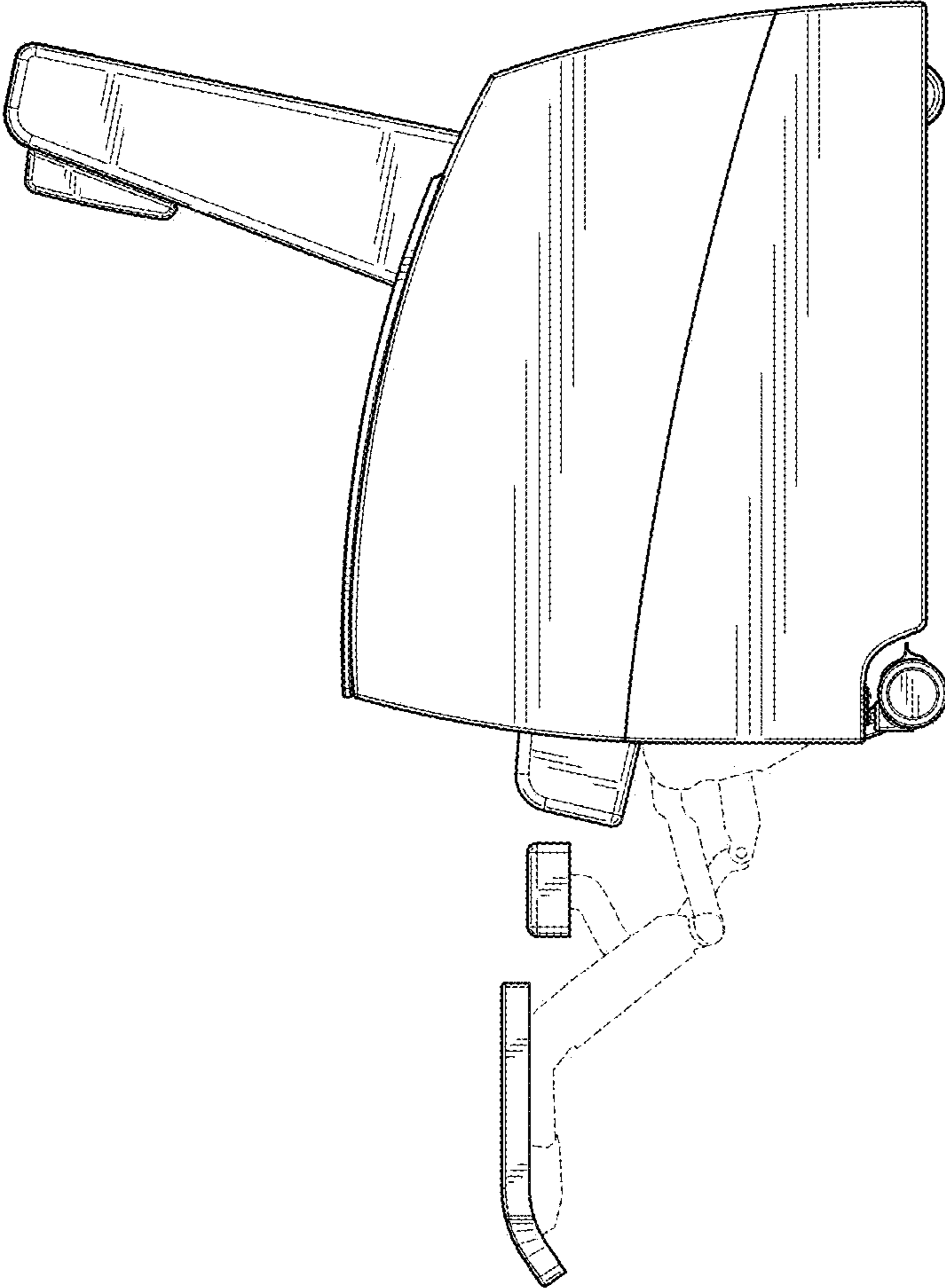


FIG. 10

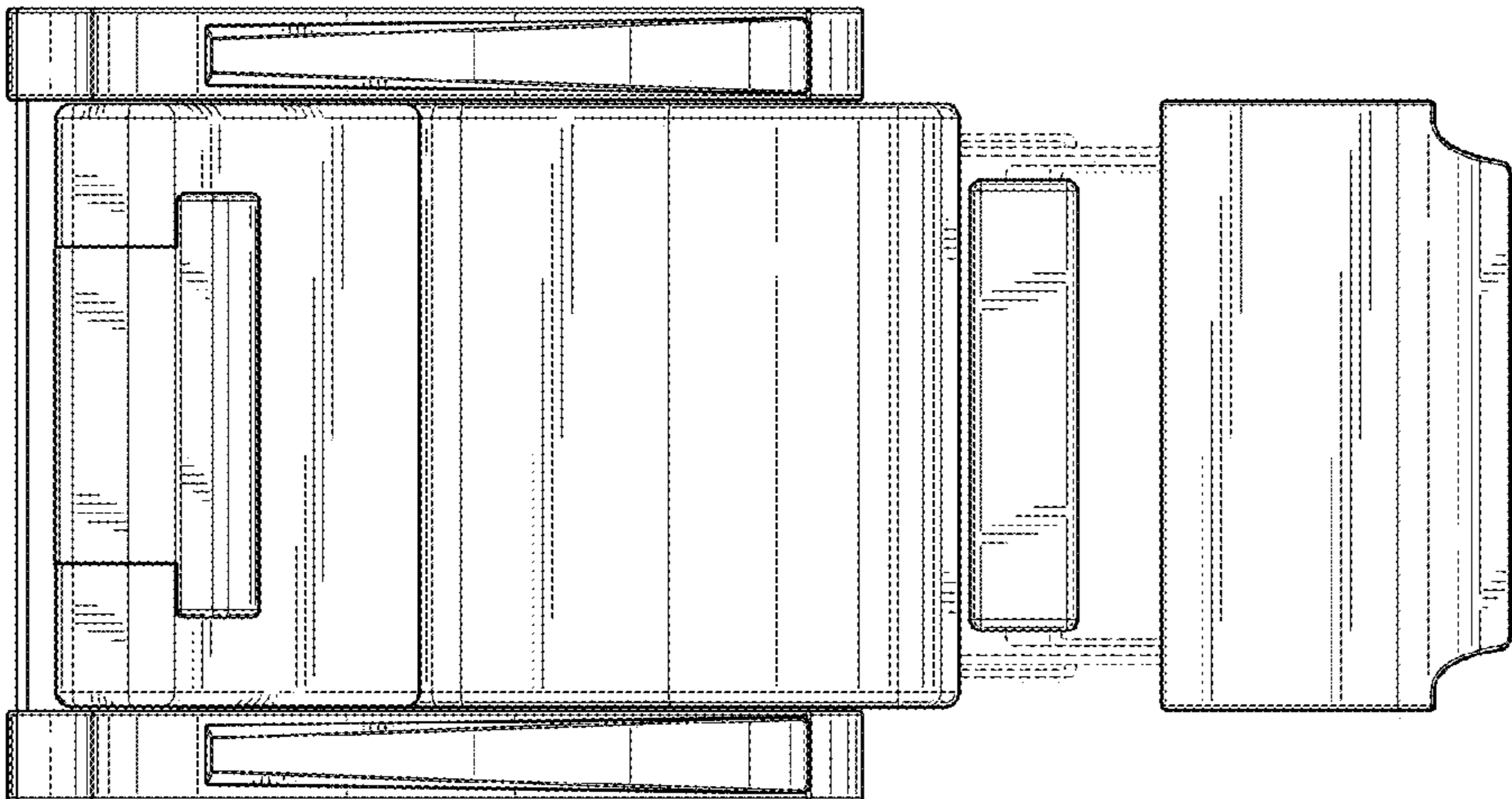


FIG. 12

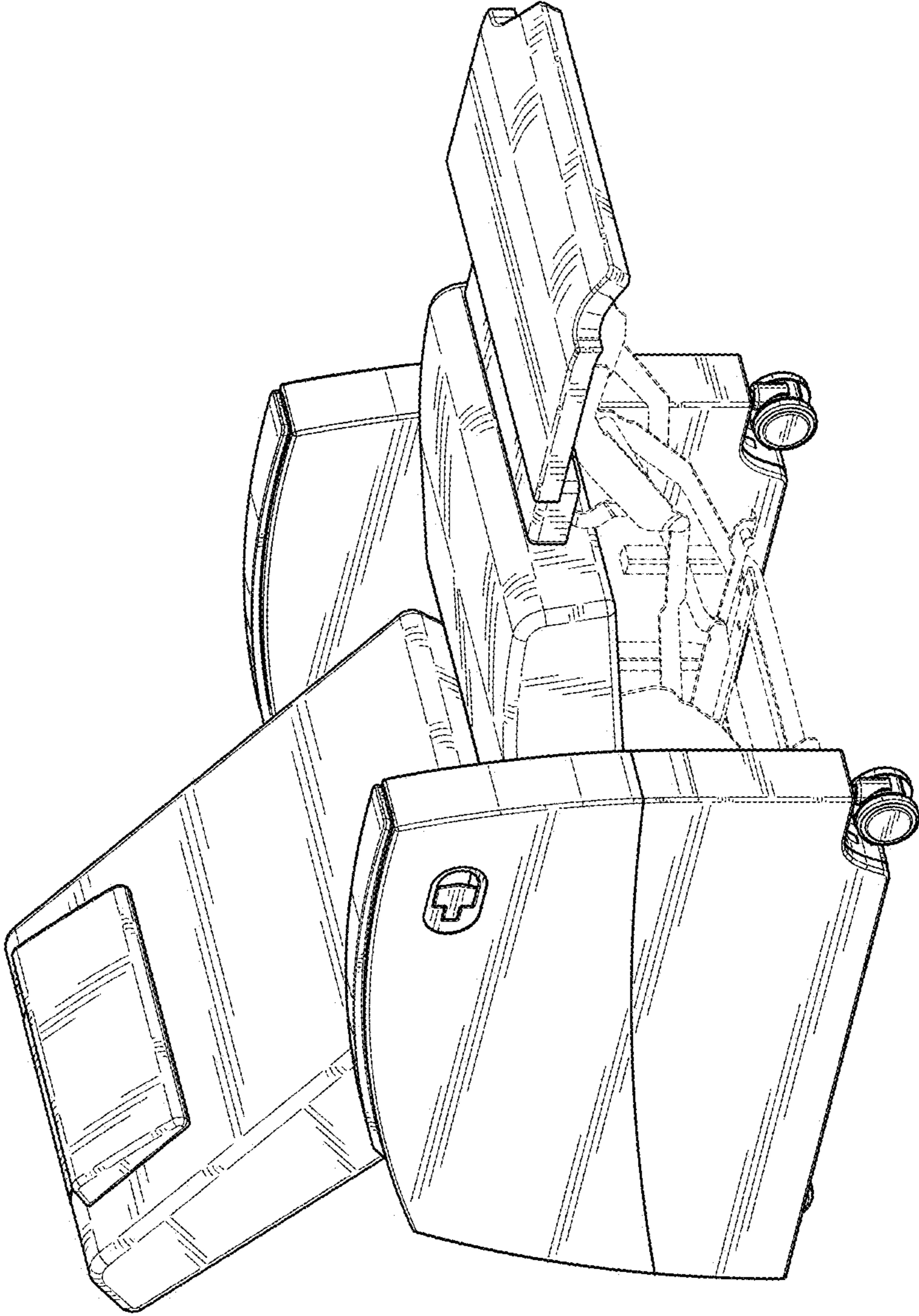


FIG. 13

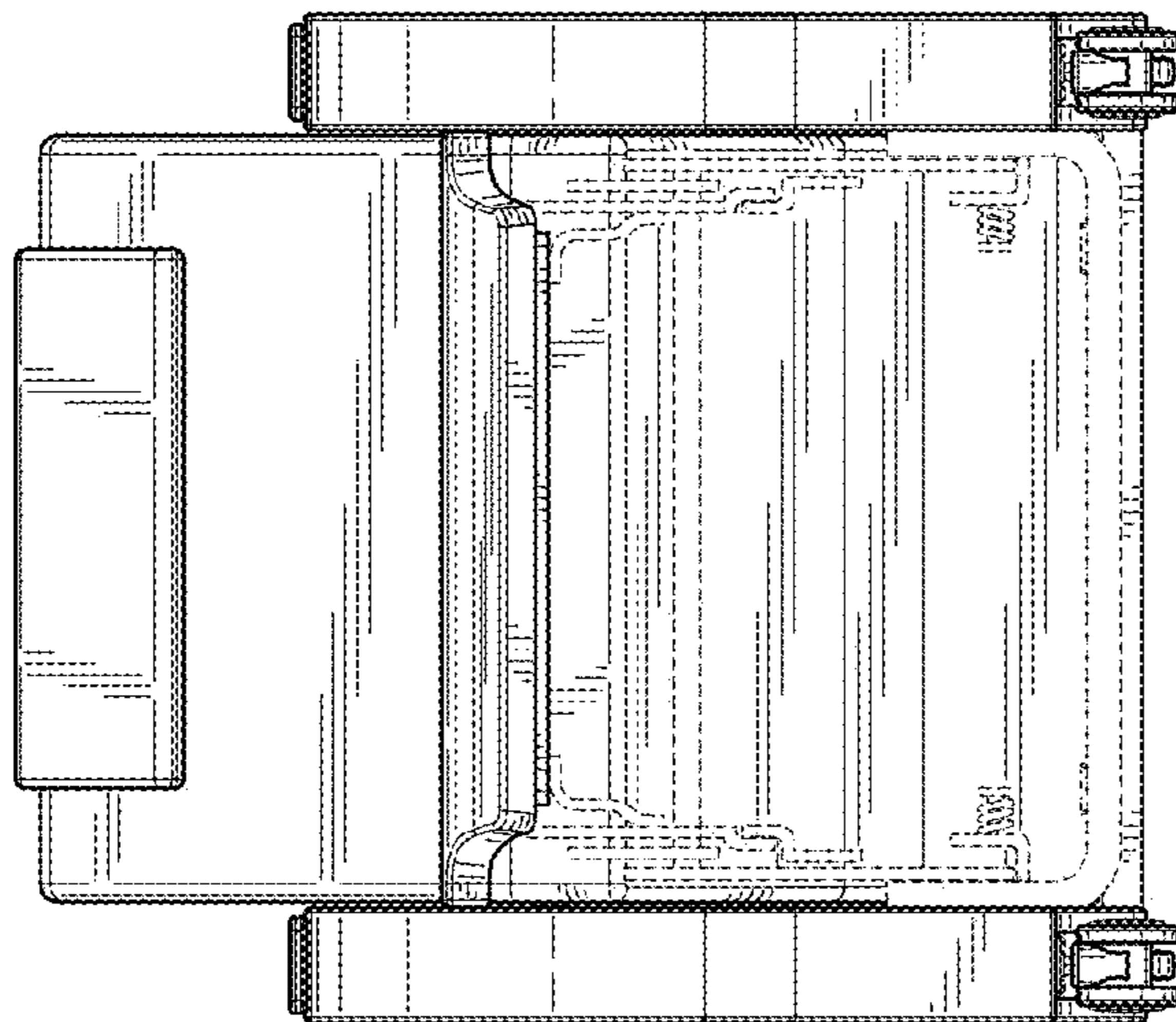


FIG. 15

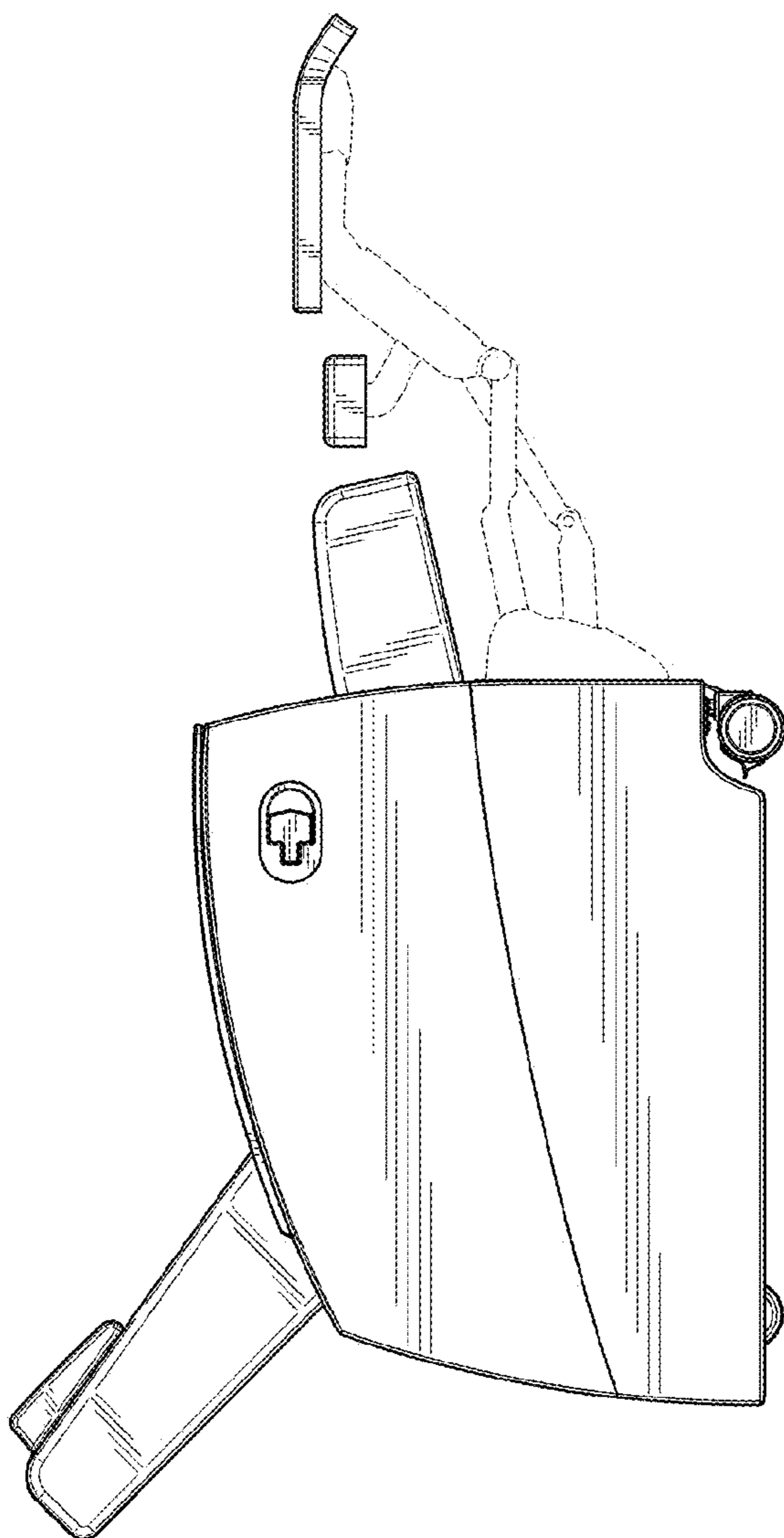


FIG. 14

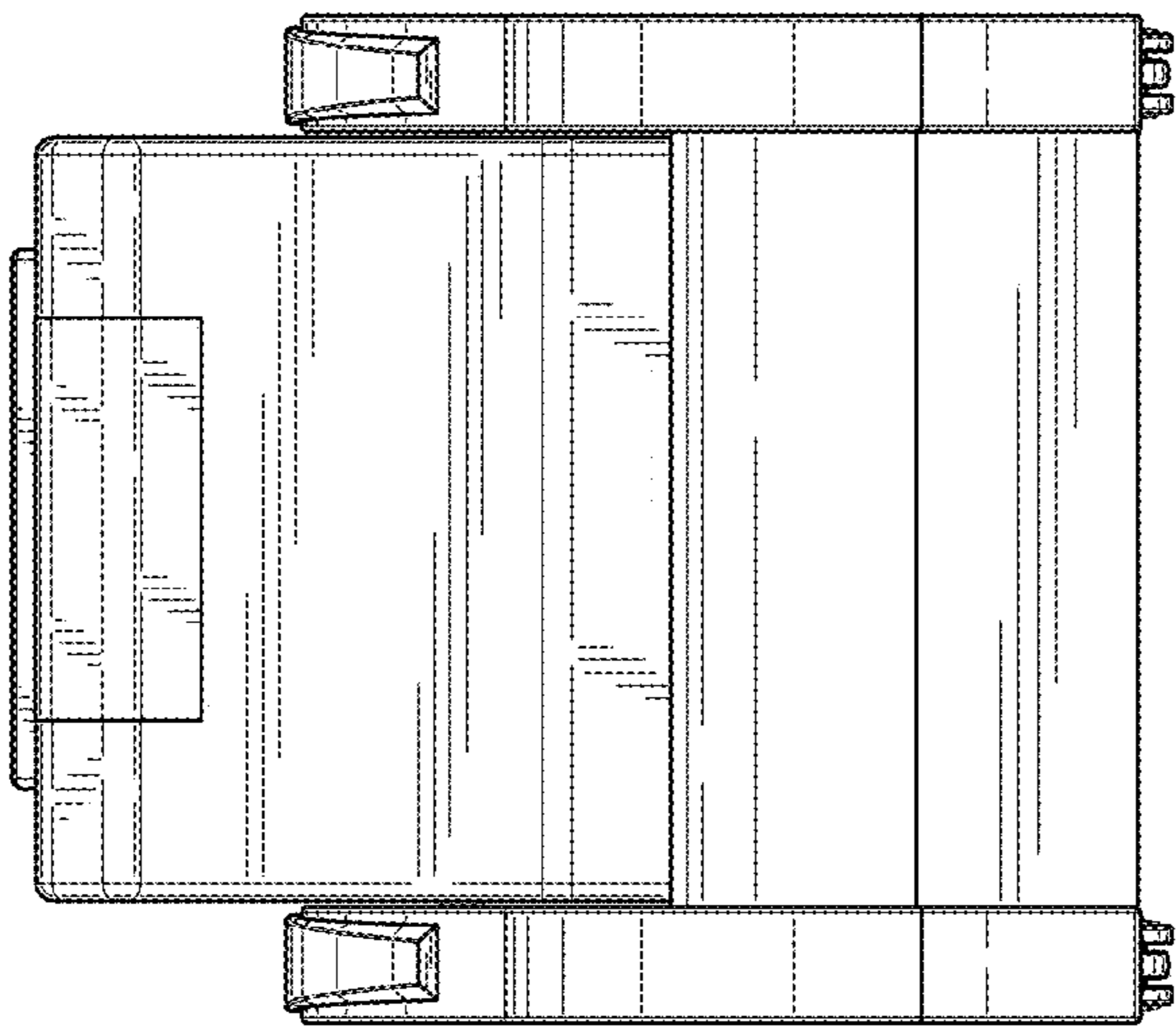


FIG. 17

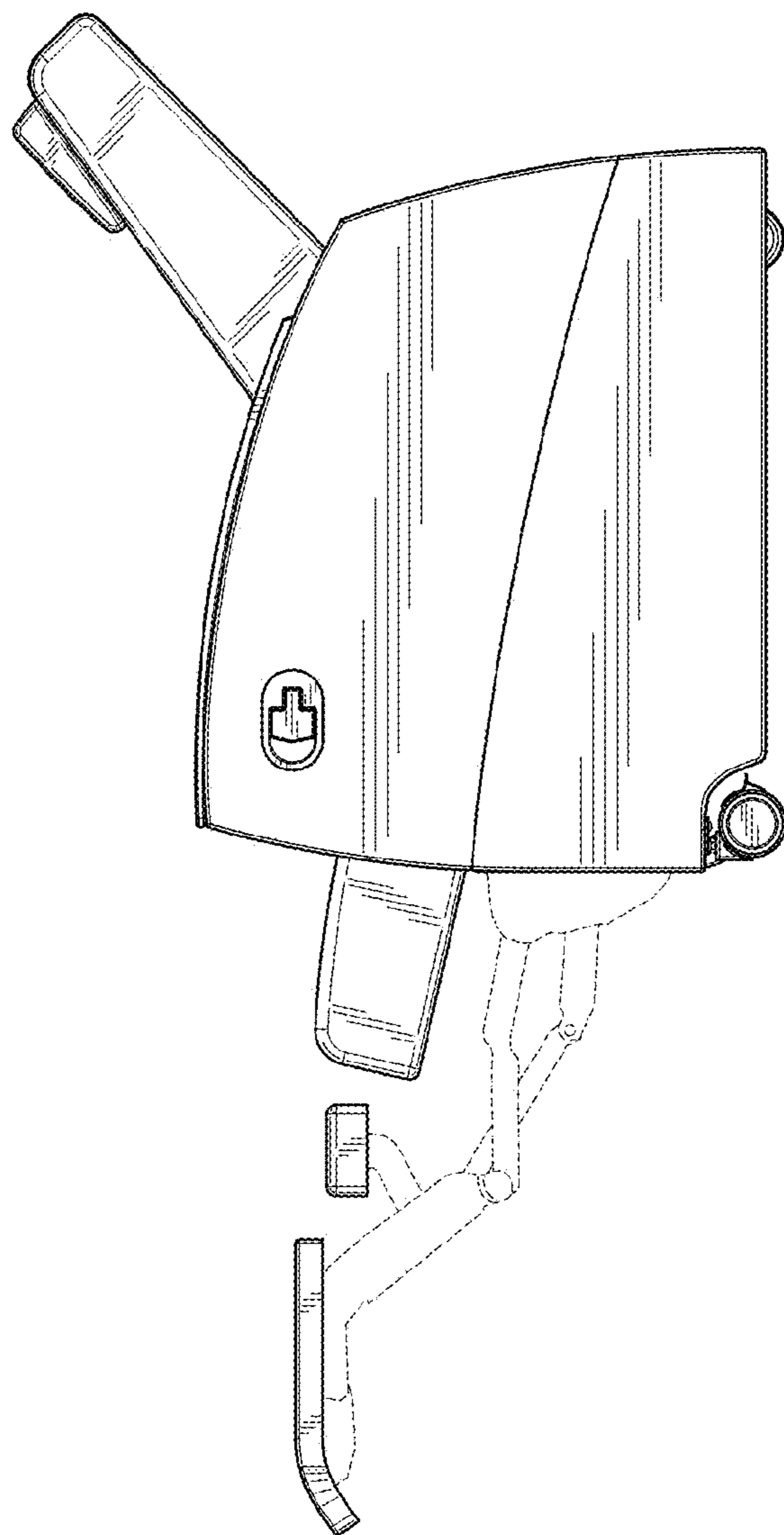


FIG. 16

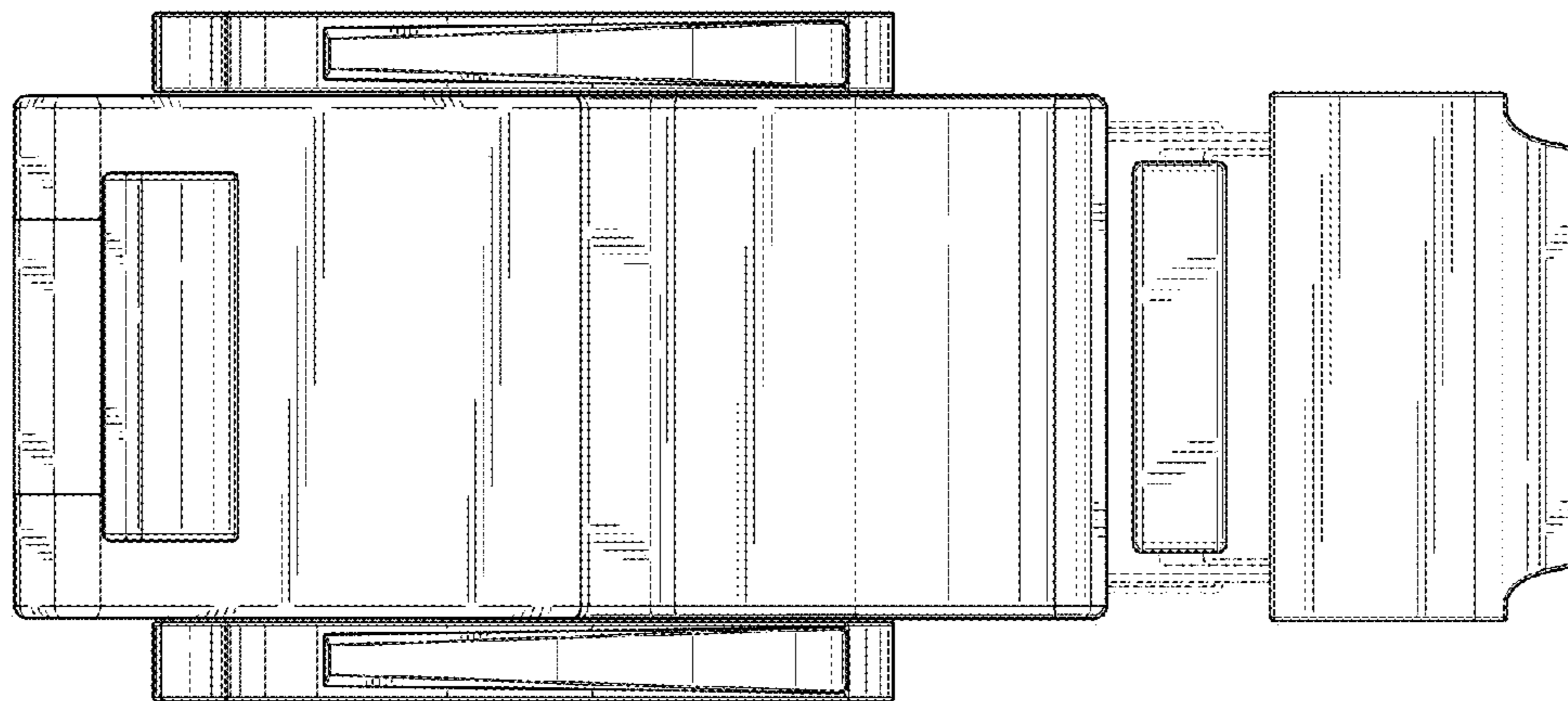


FIG. 18

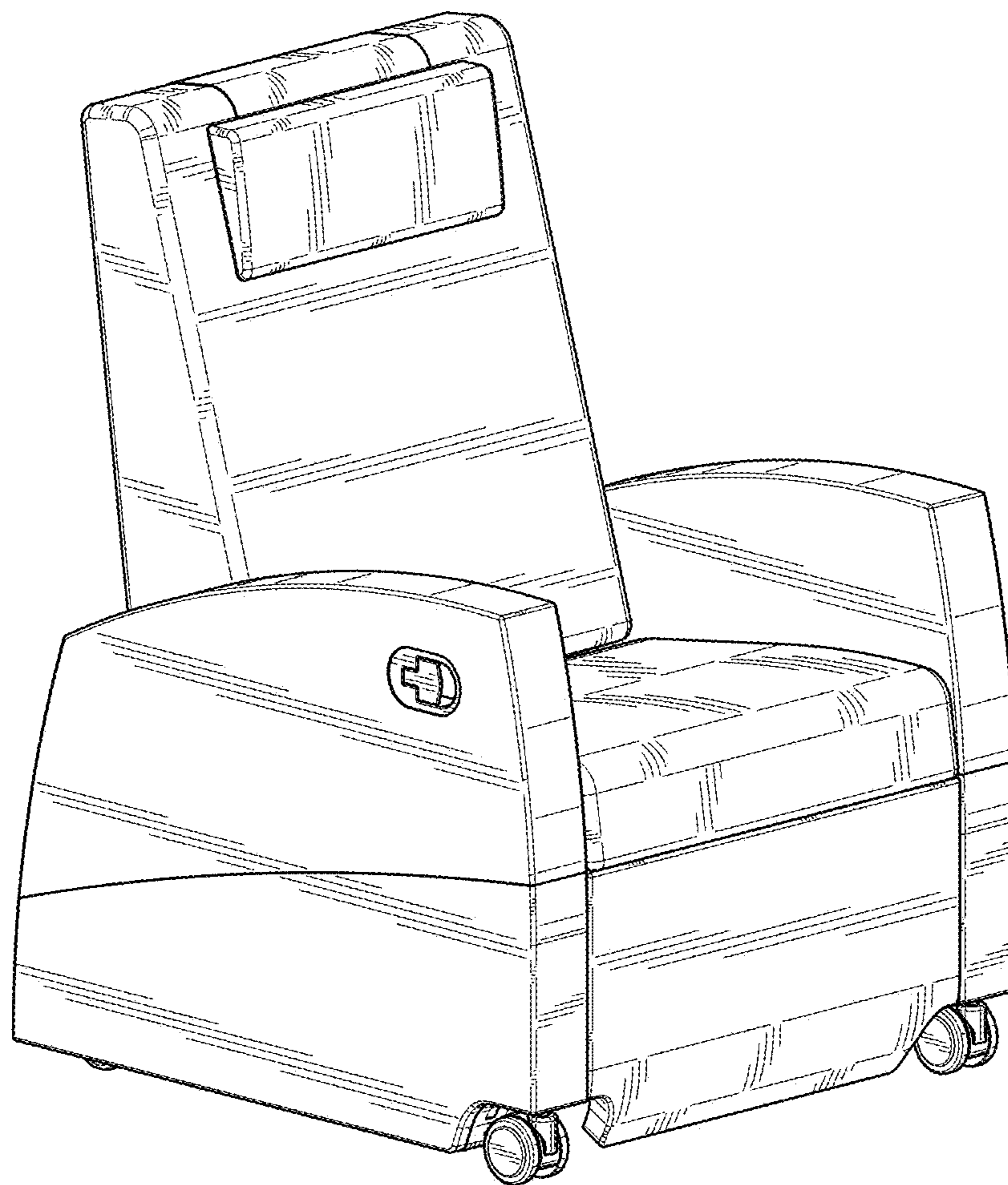


FIG. 19

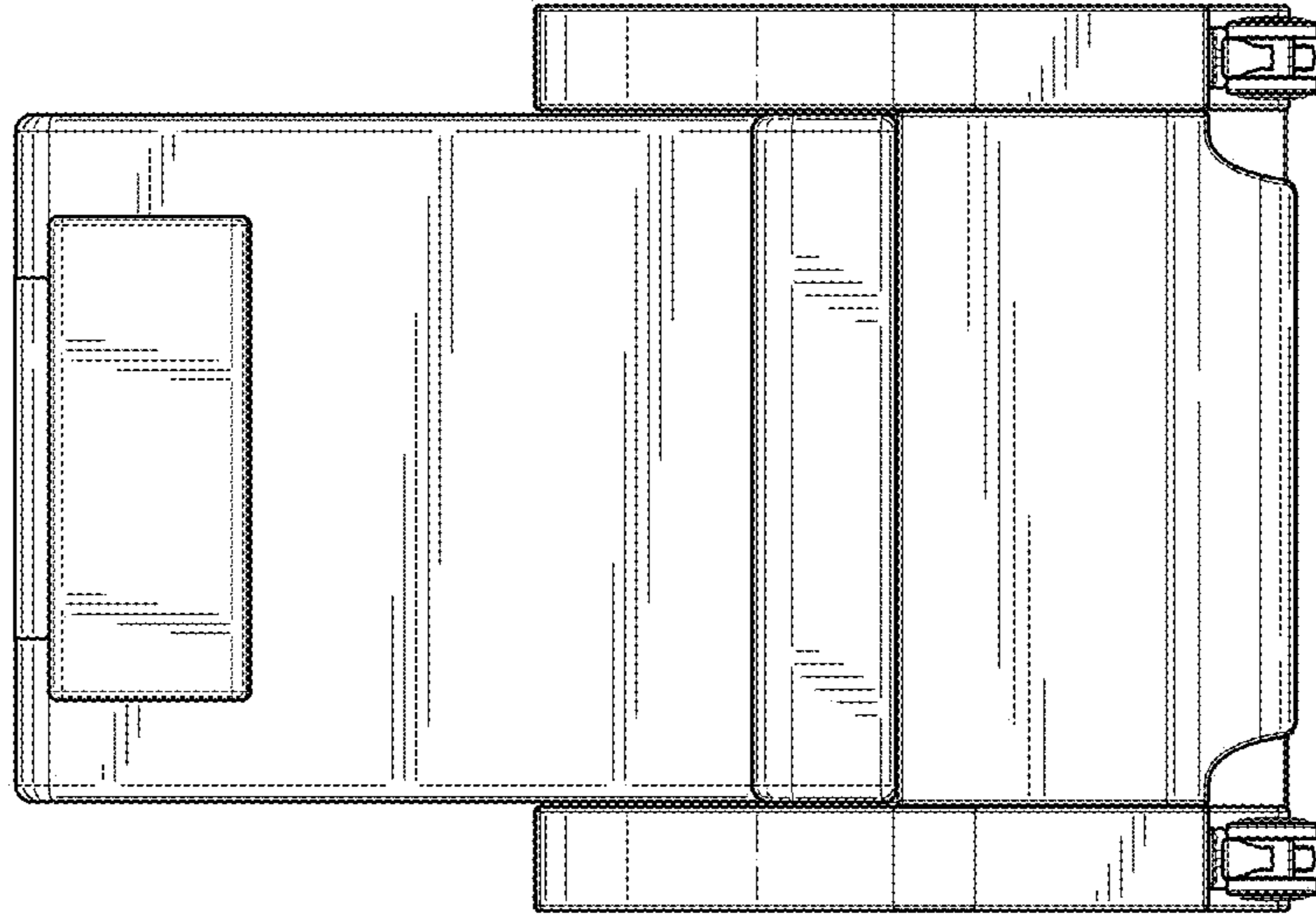


FIG. 21

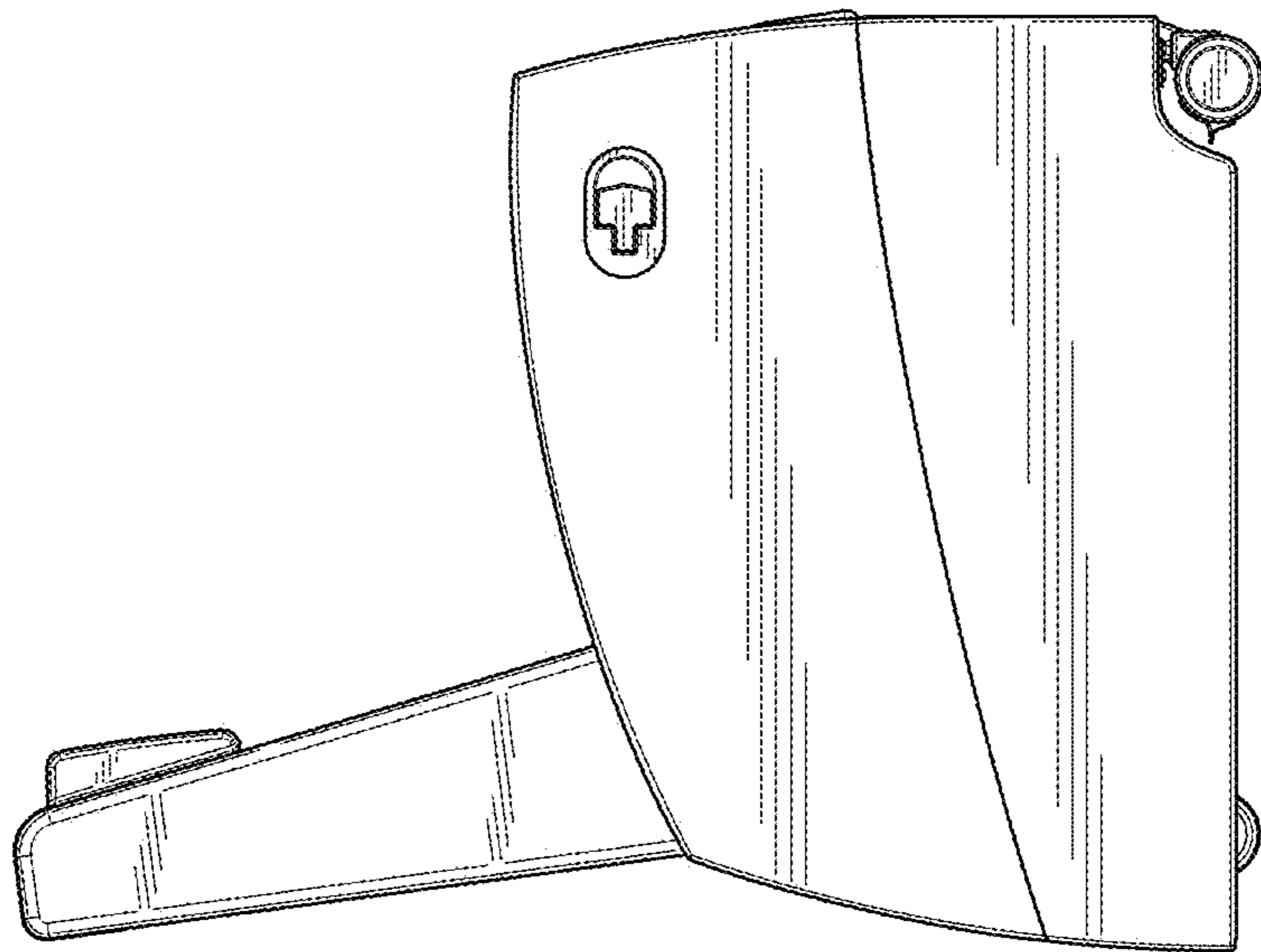


FIG. 20

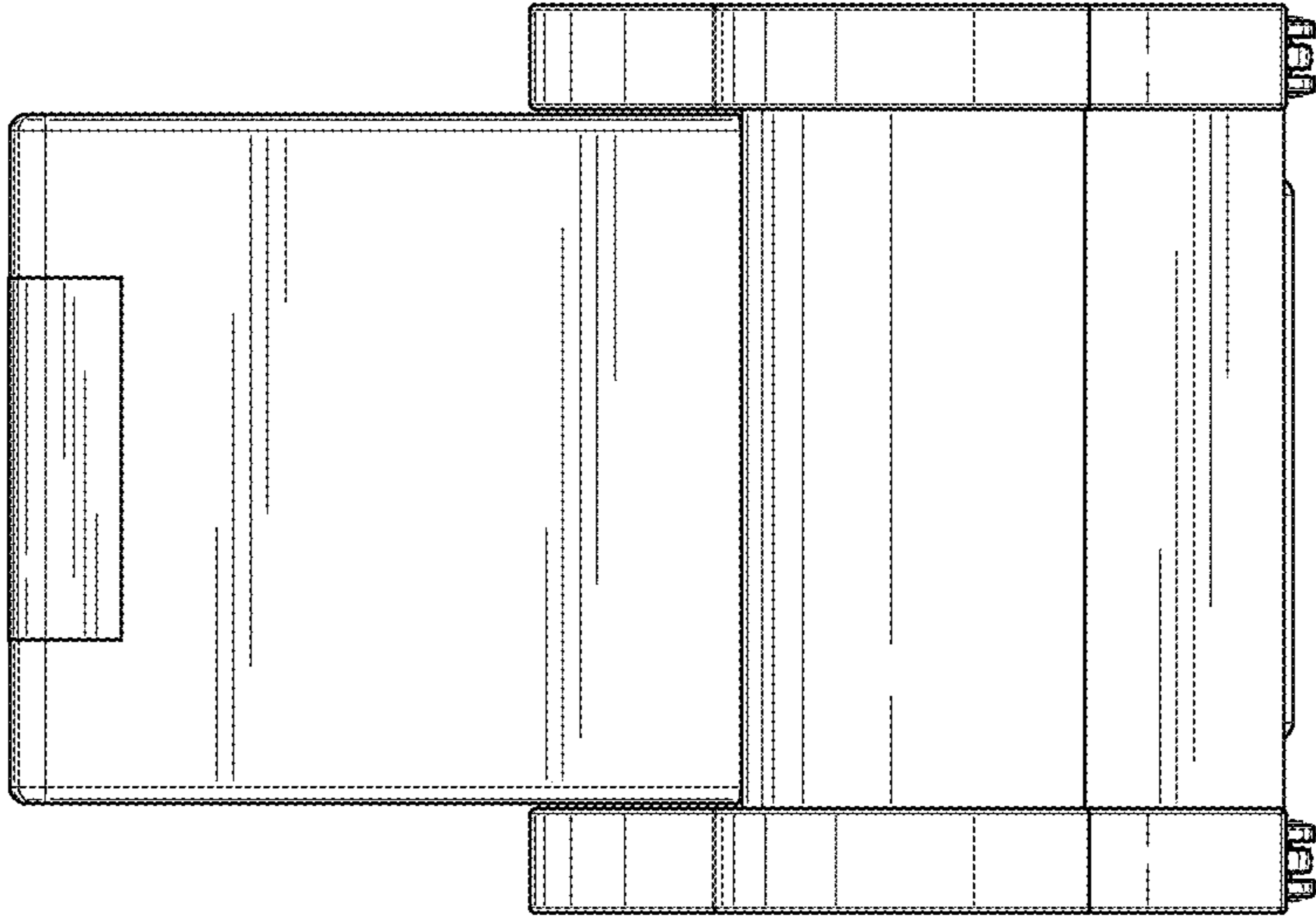


FIG. 22

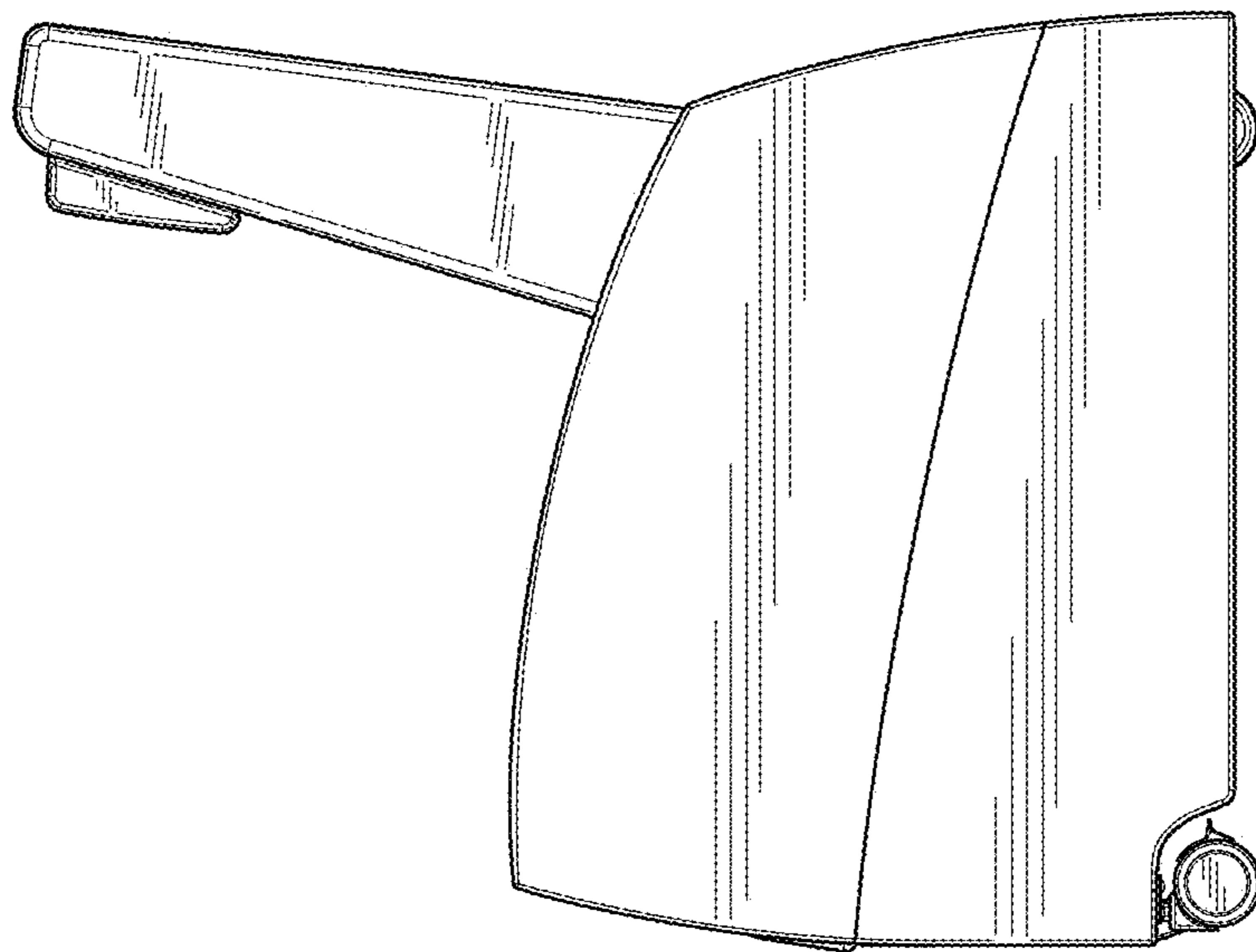


FIG. 23

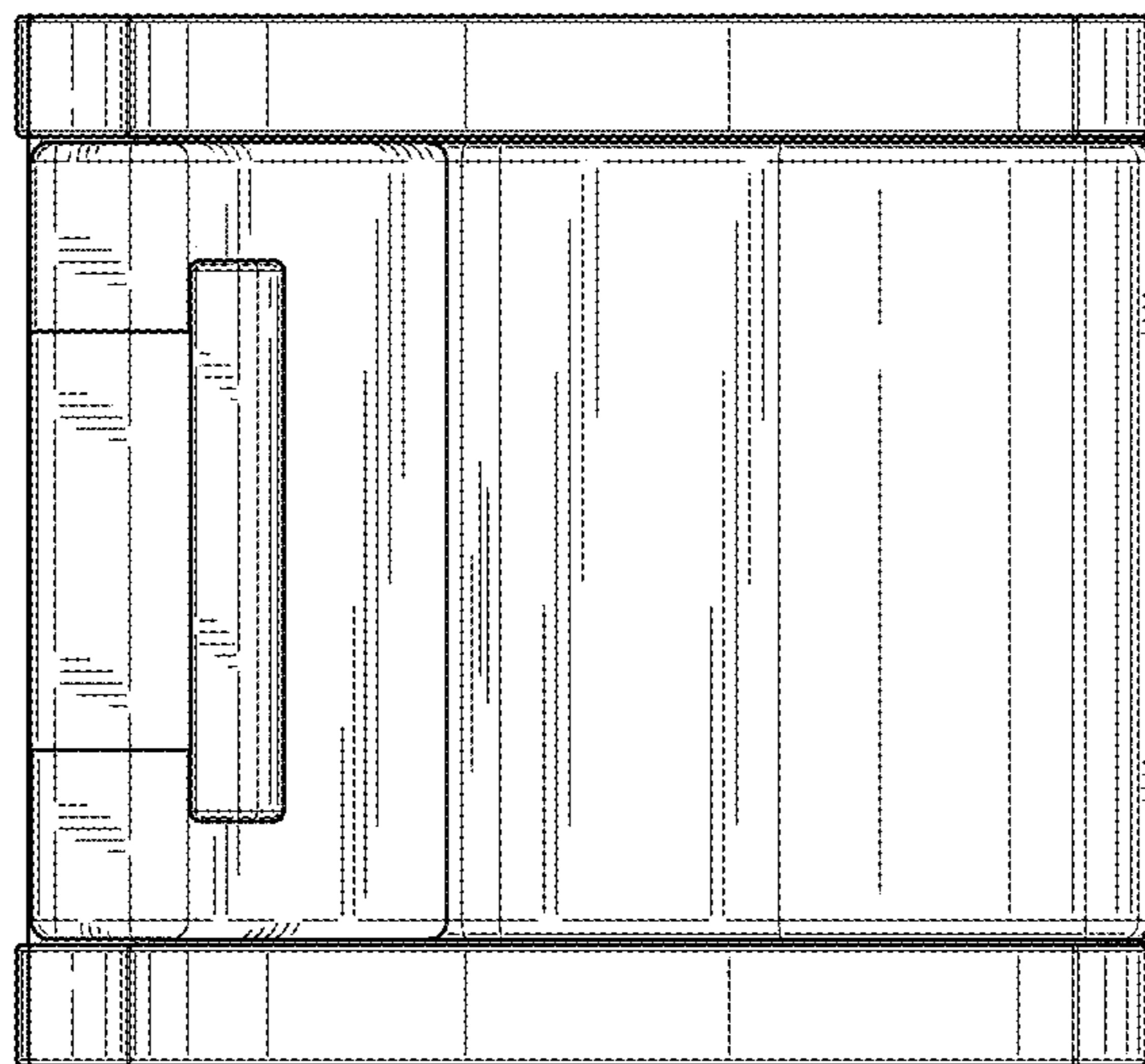


FIG. 24

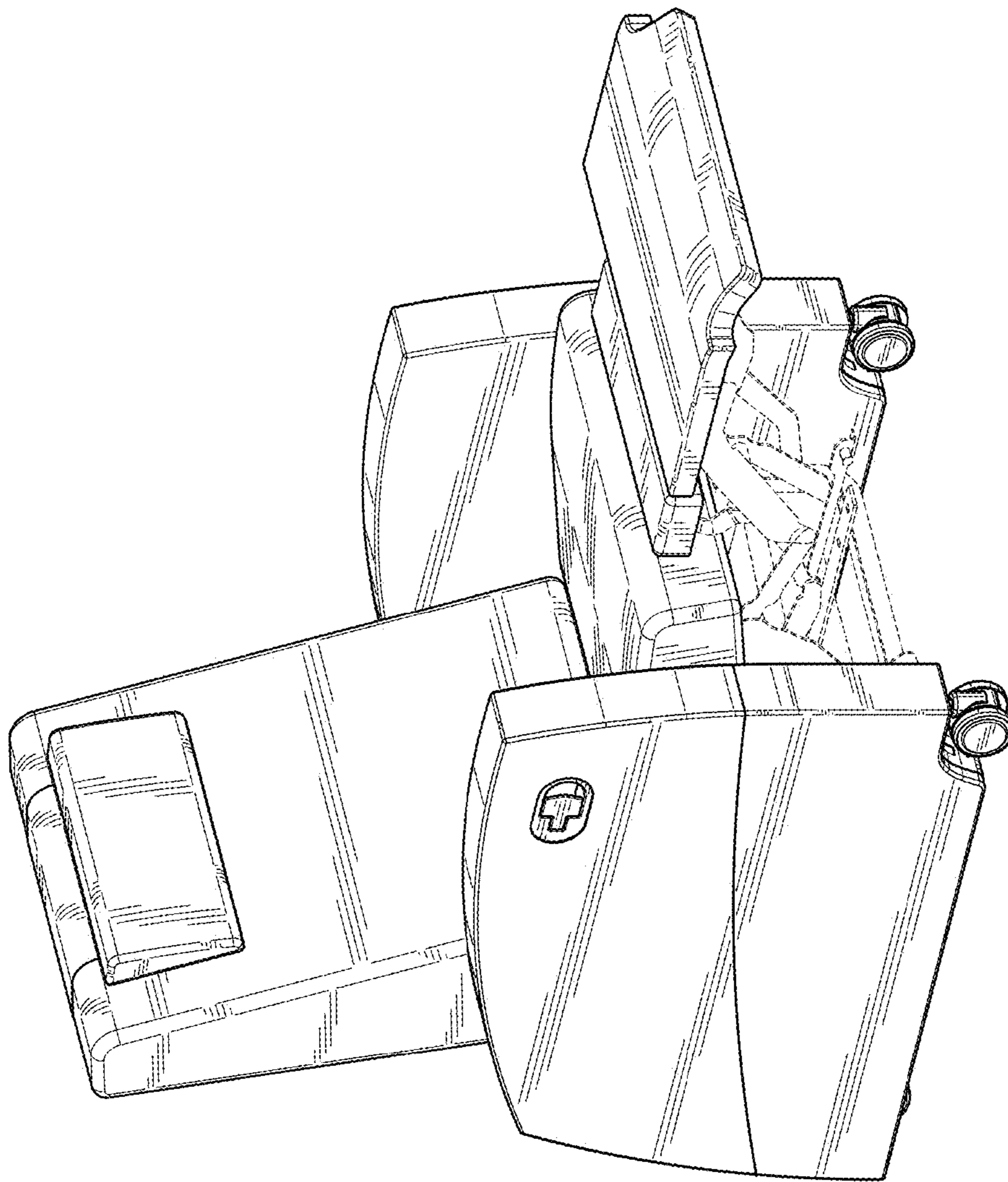


FIG. 25

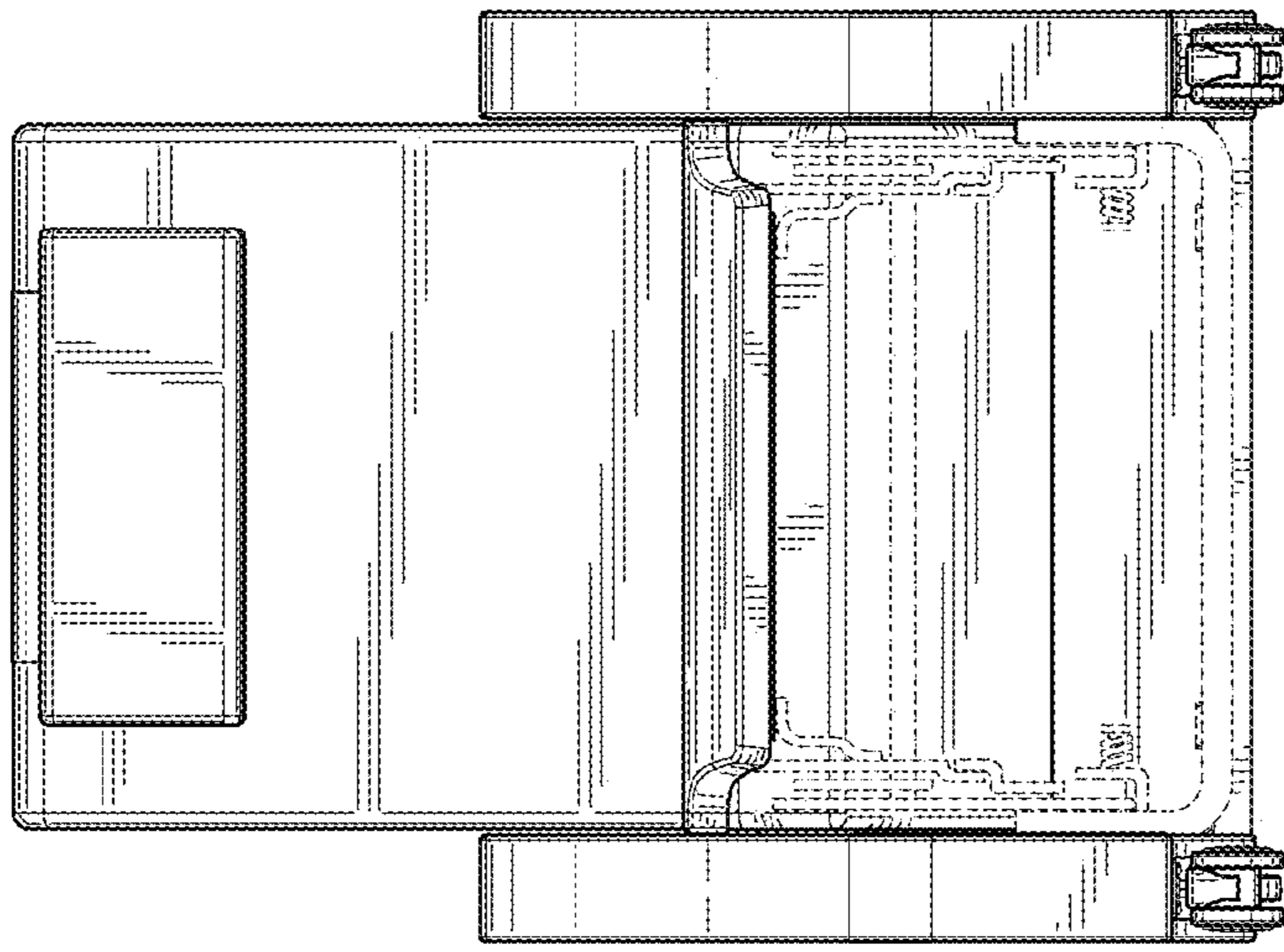


FIG. 27

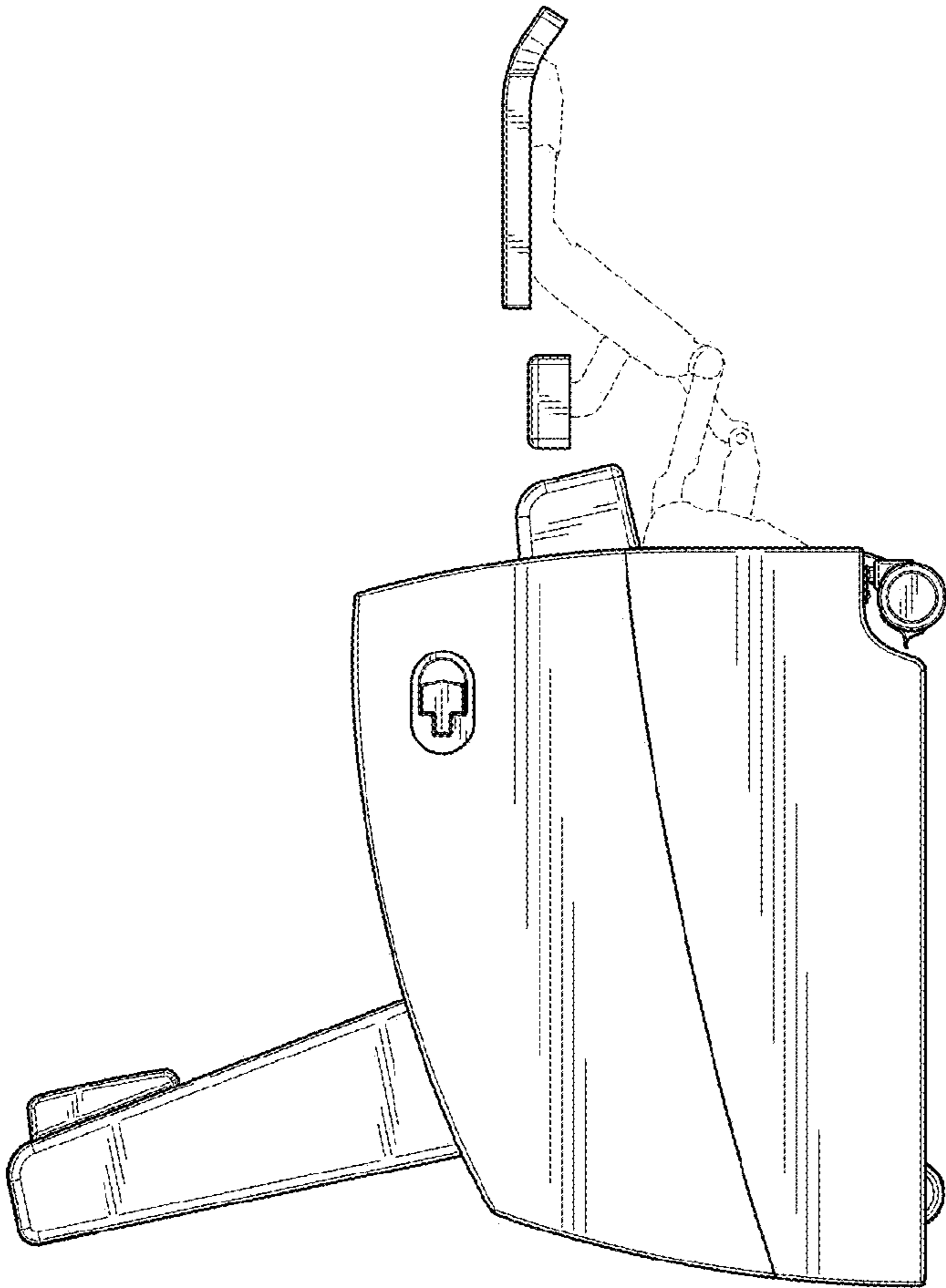


FIG. 26

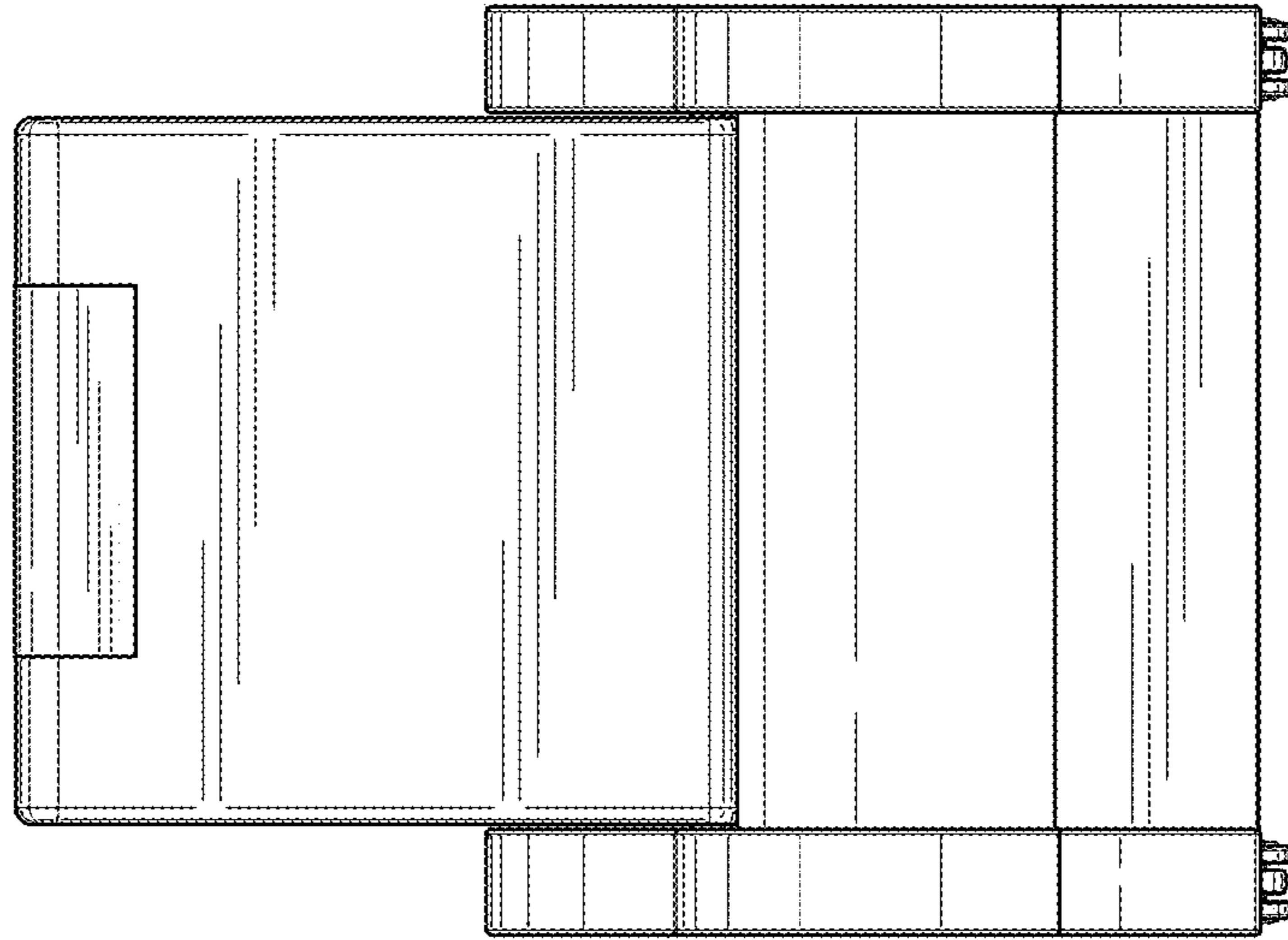


FIG. 29

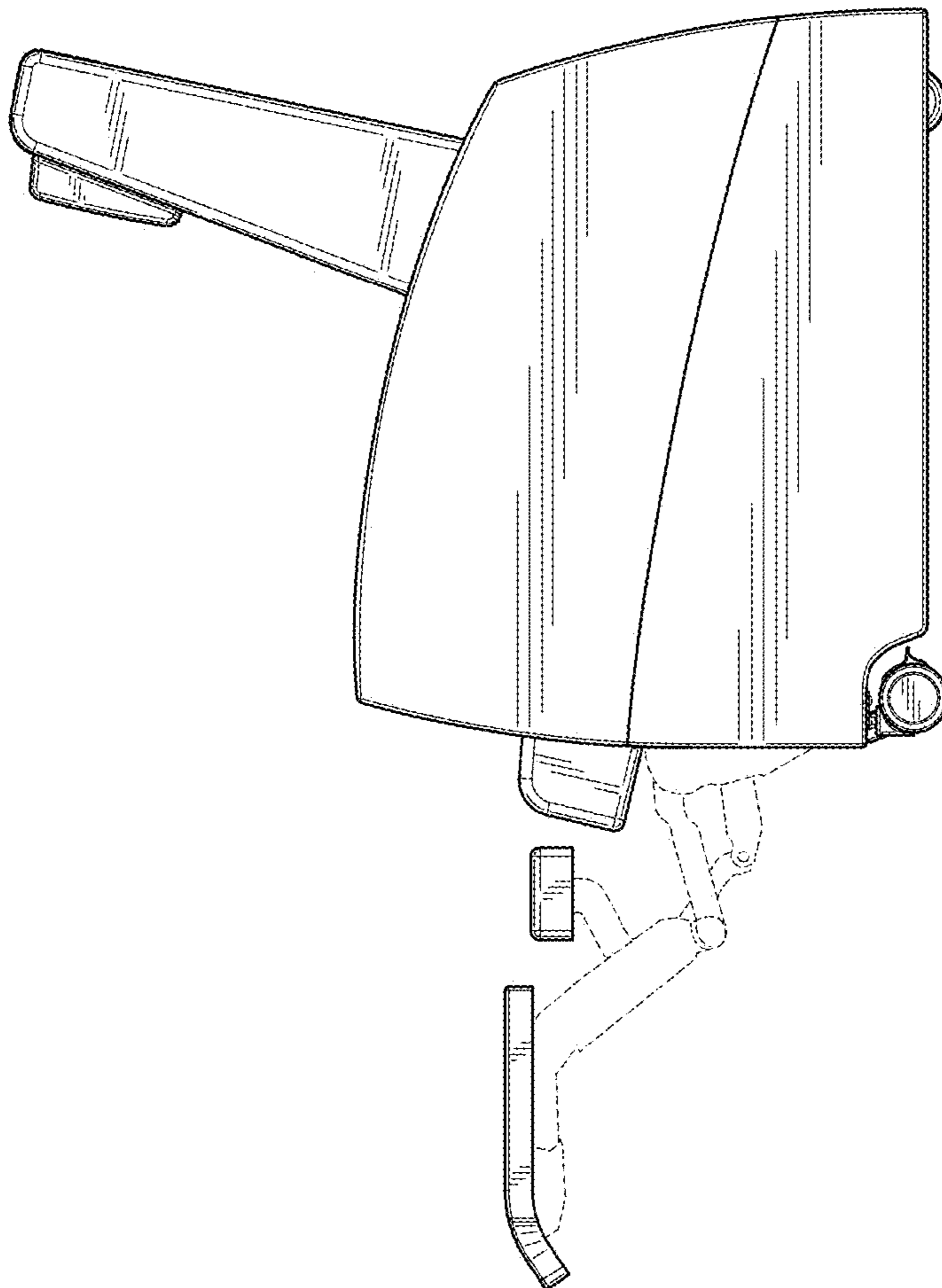


FIG. 28

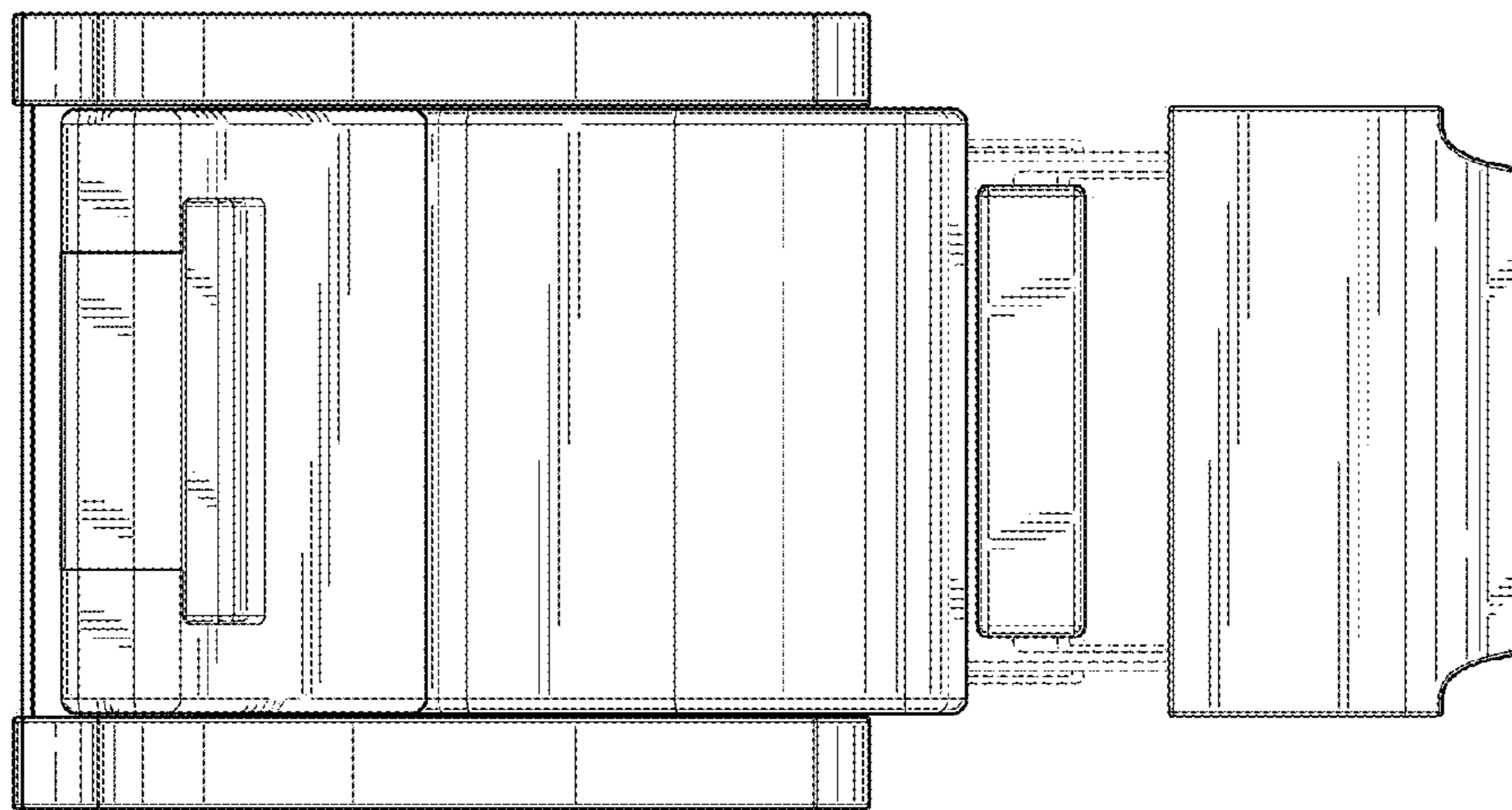


FIG. 30

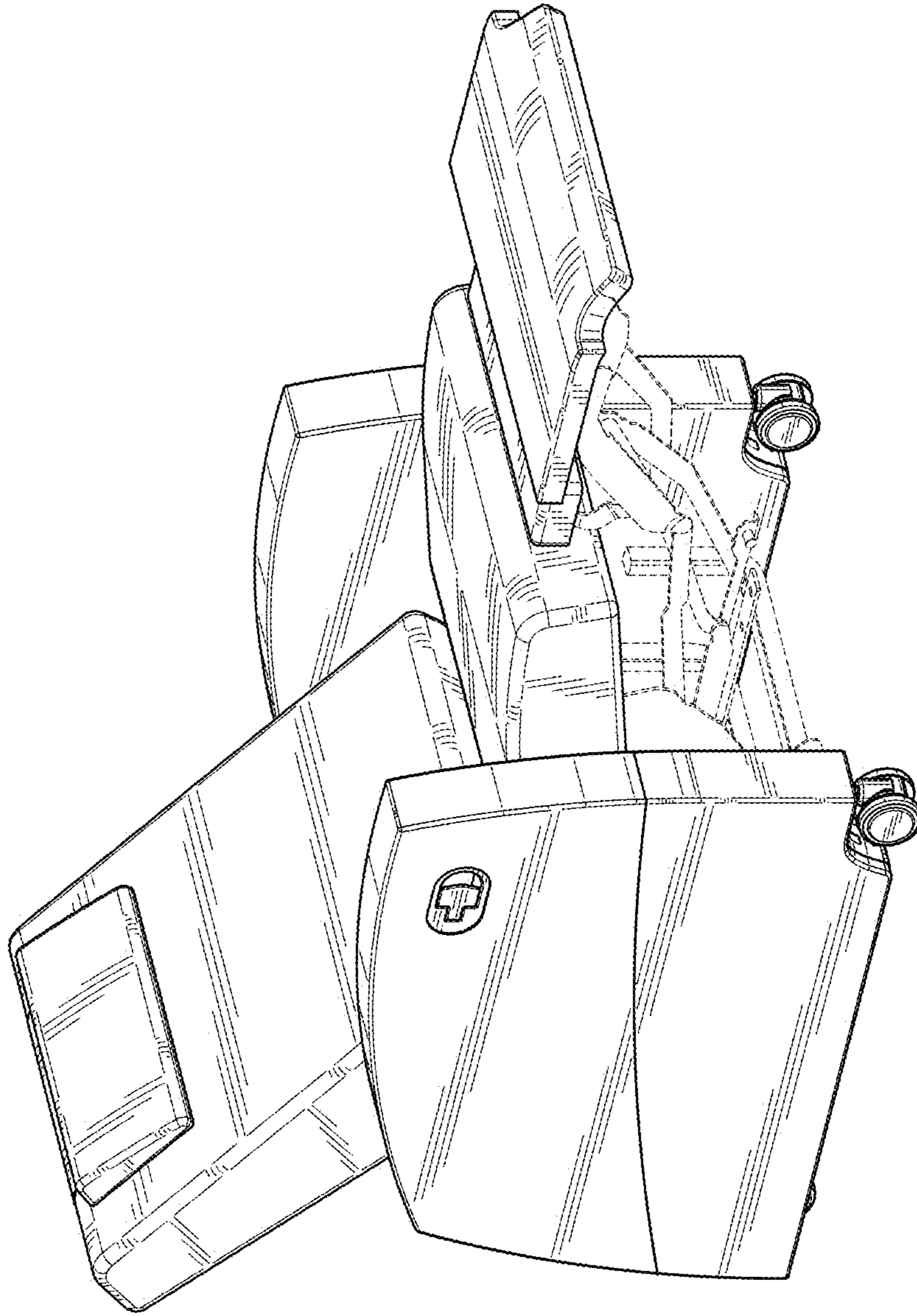


FIG. 31

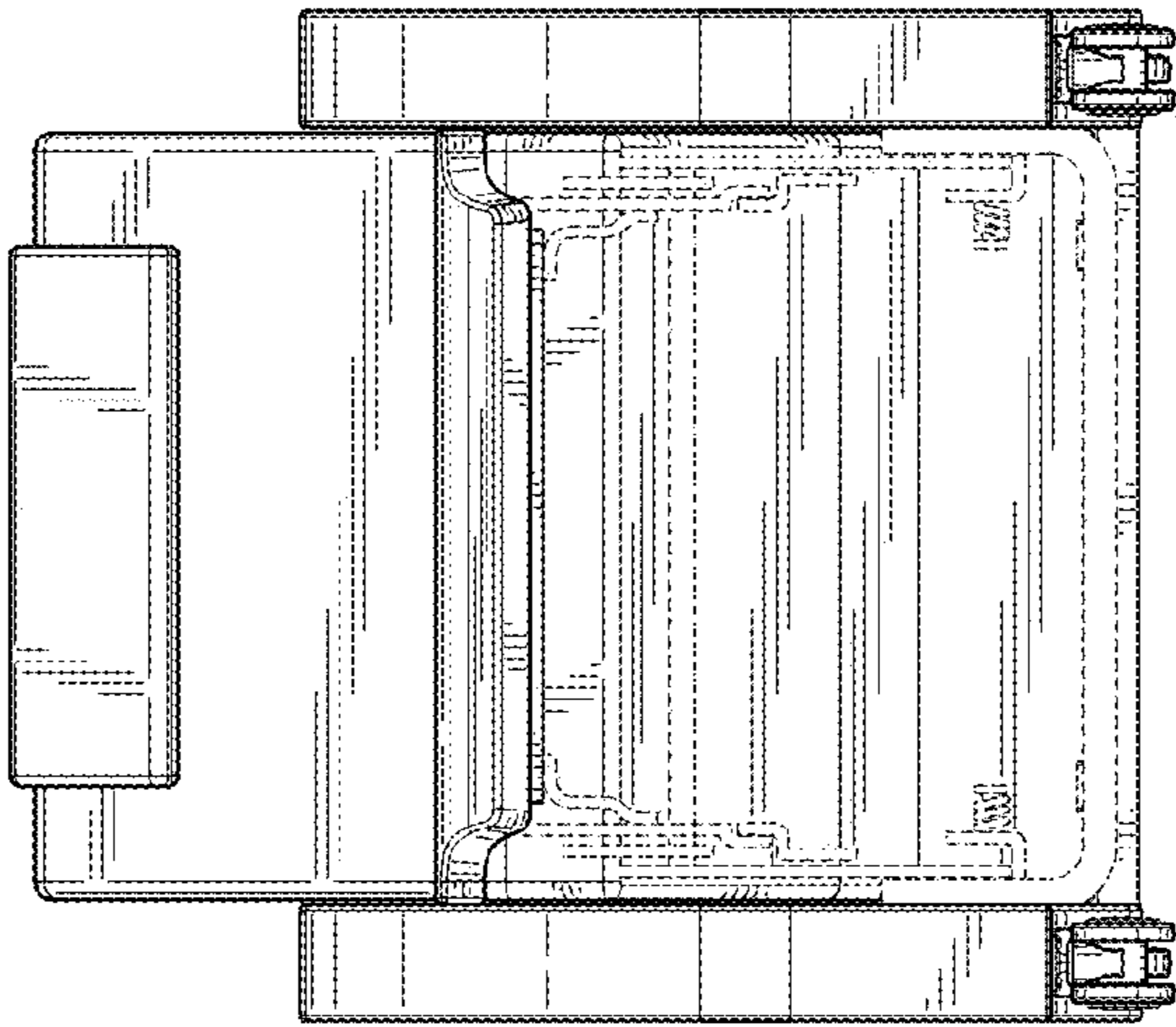


FIG. 33

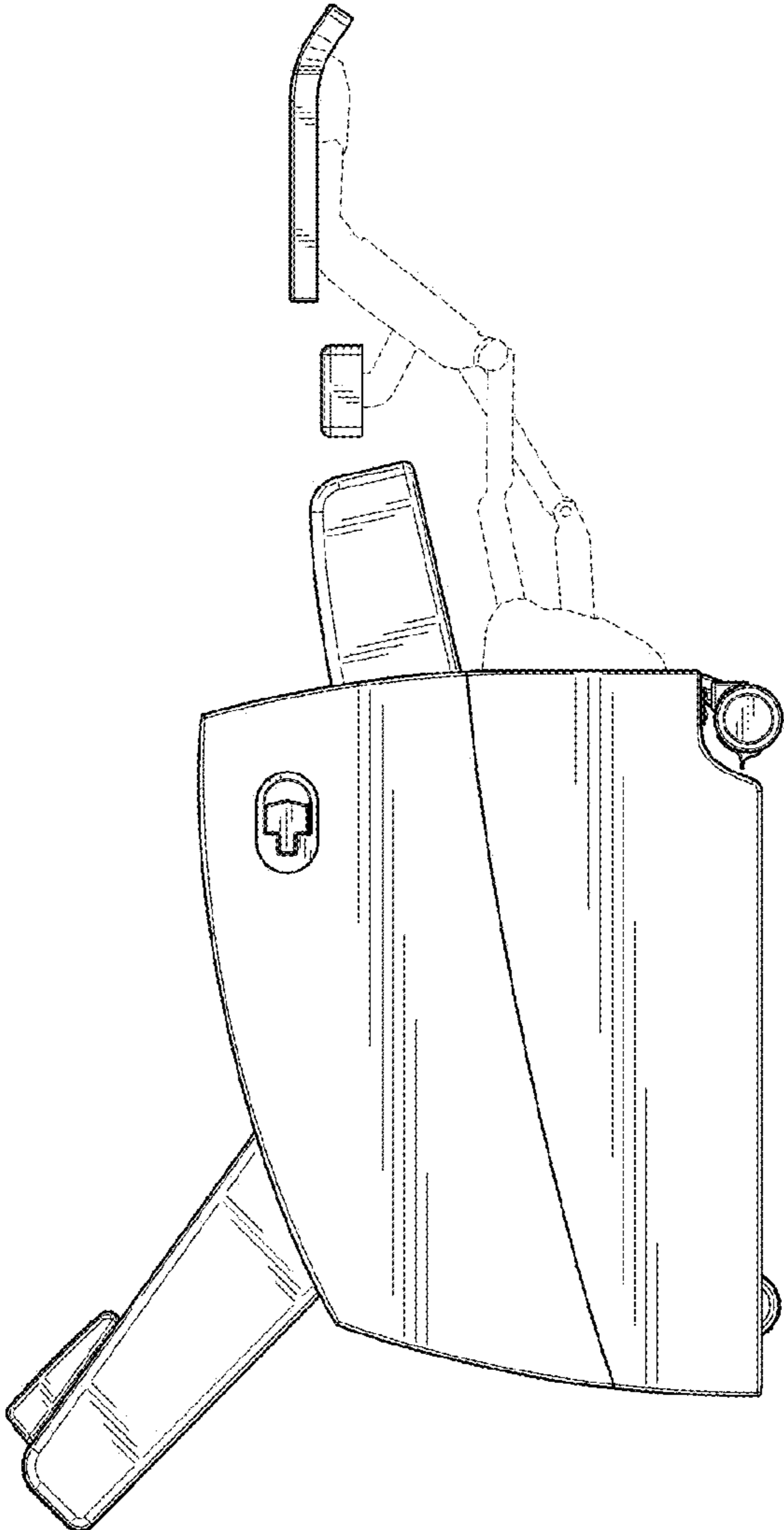


FIG. 32

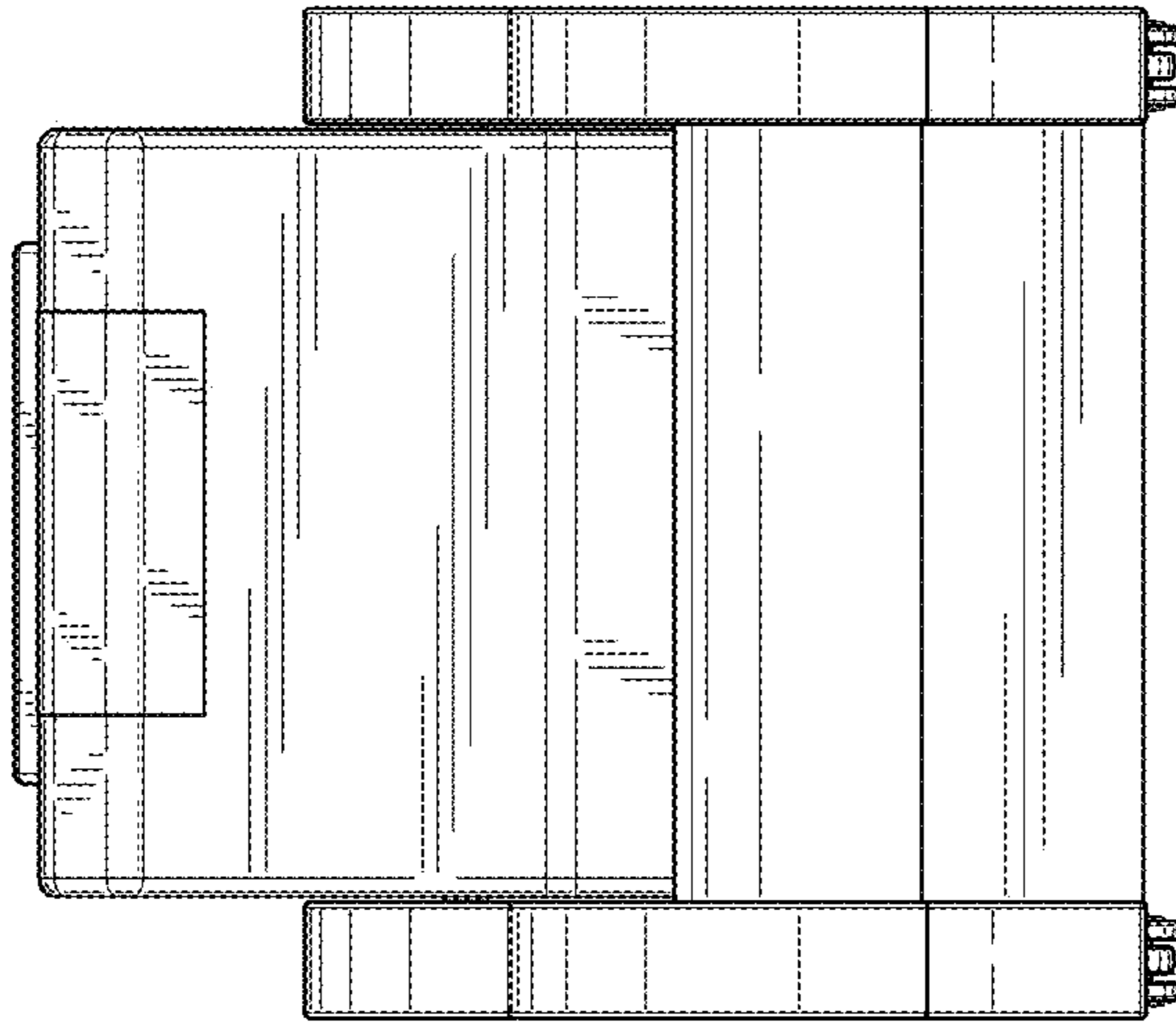


FIG. 35

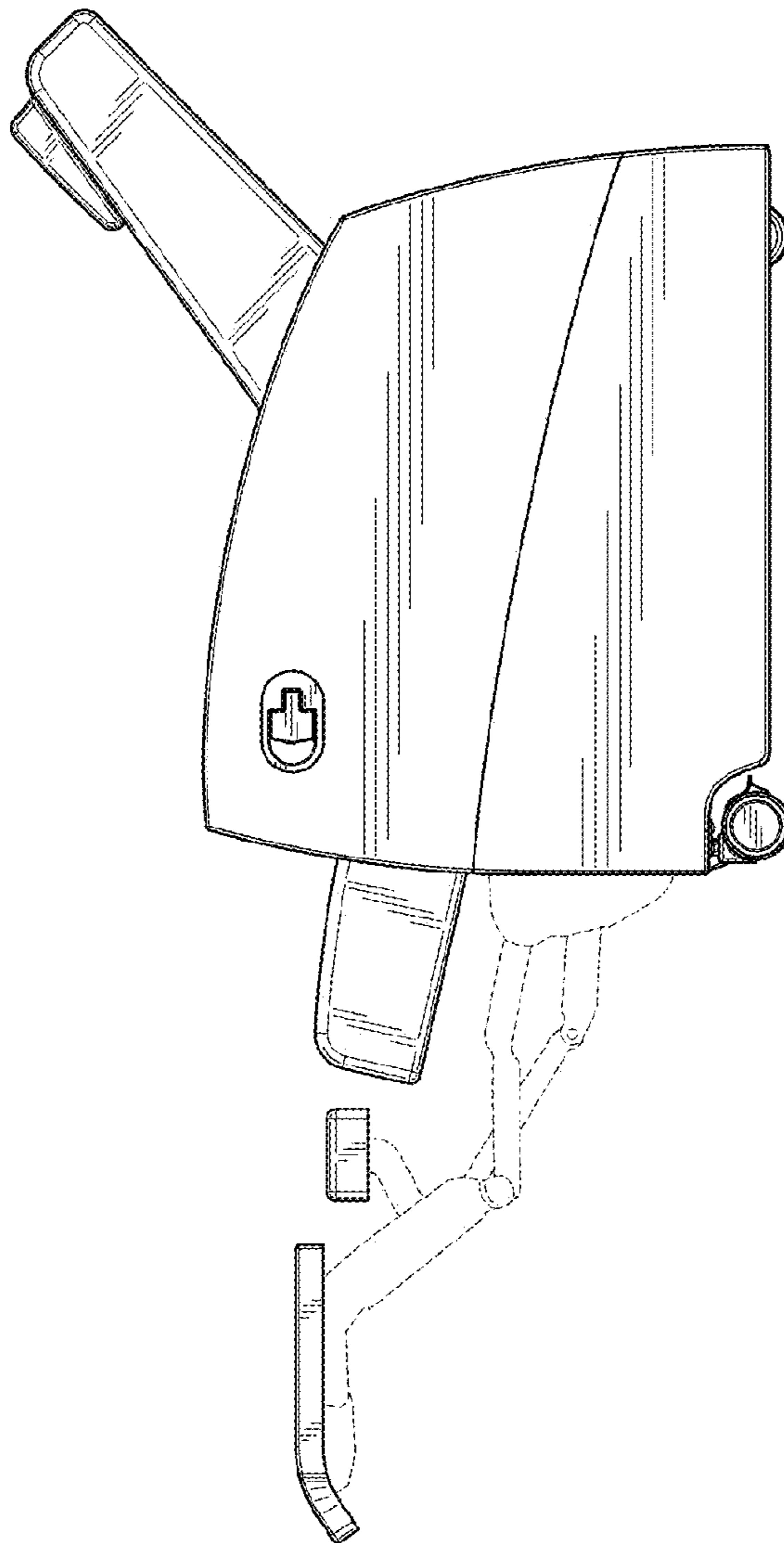


FIG. 34

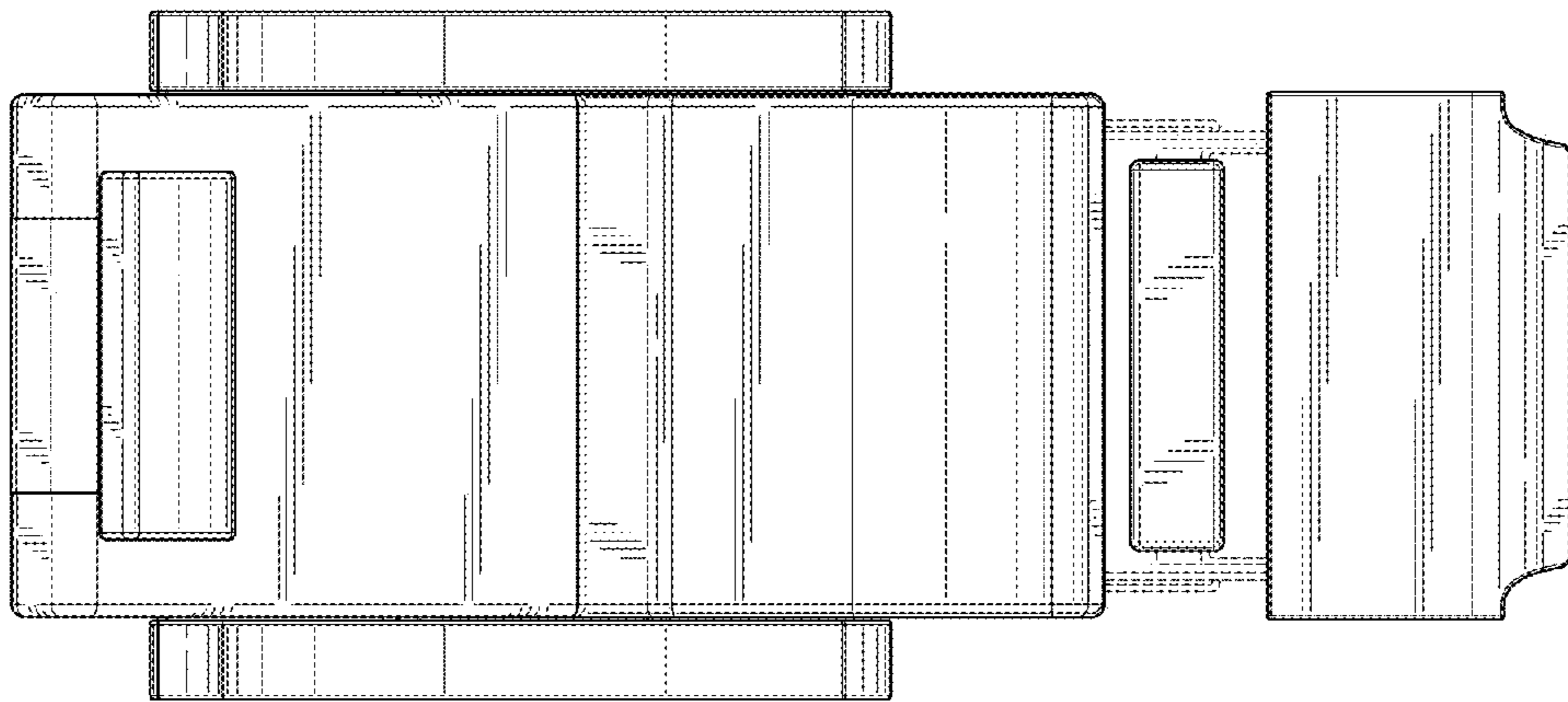


FIG. 36

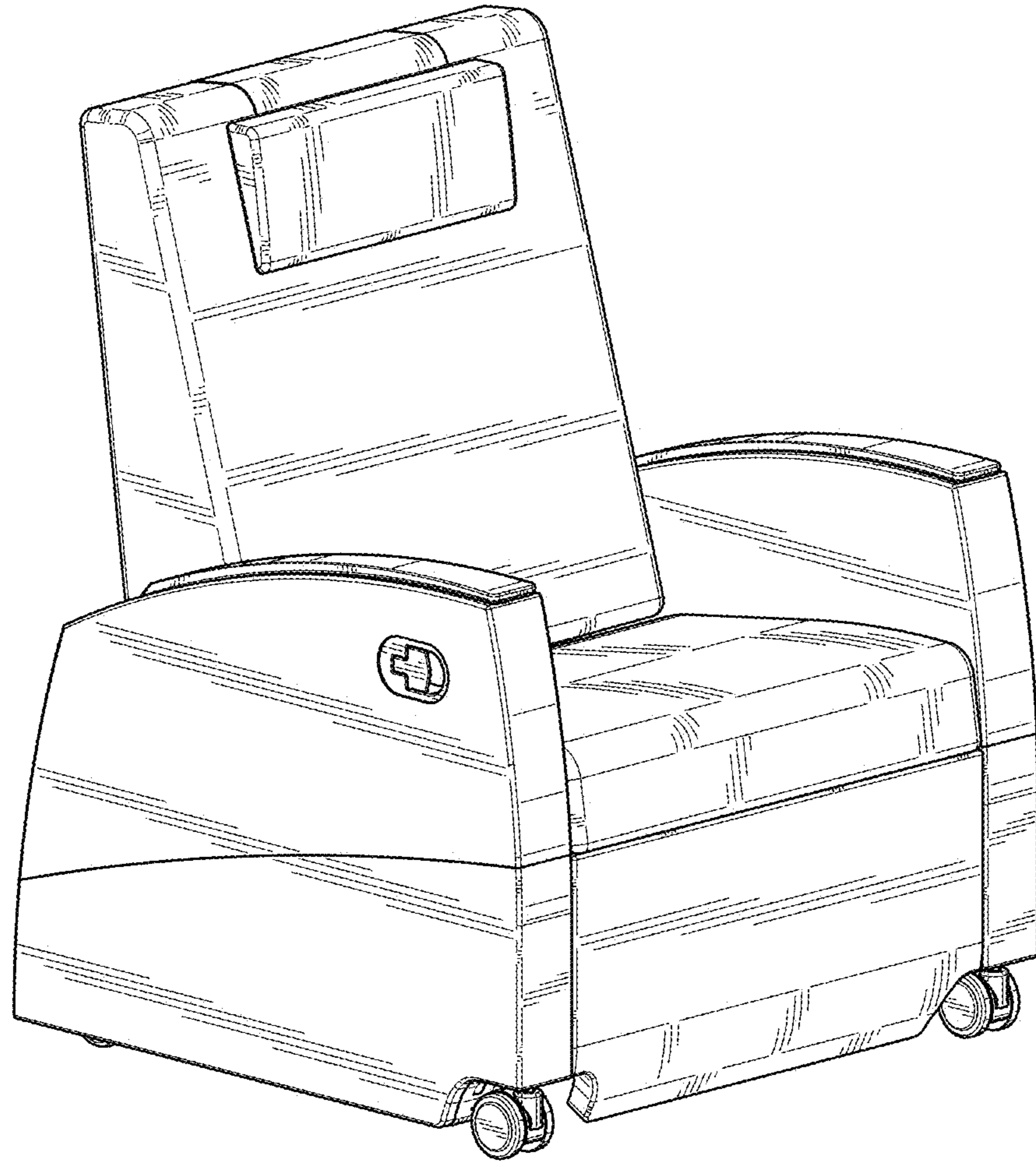


FIG. 37

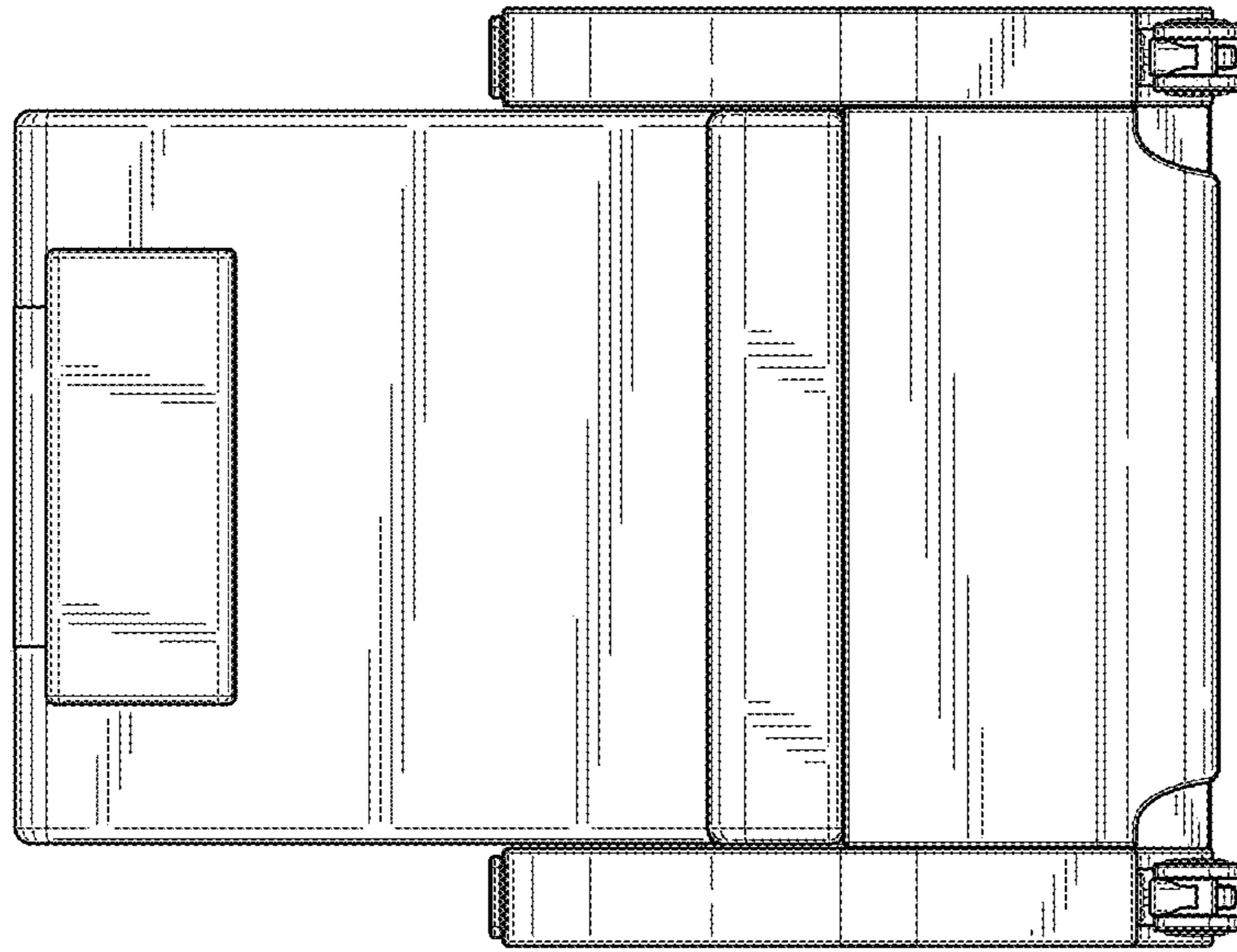


FIG. 38

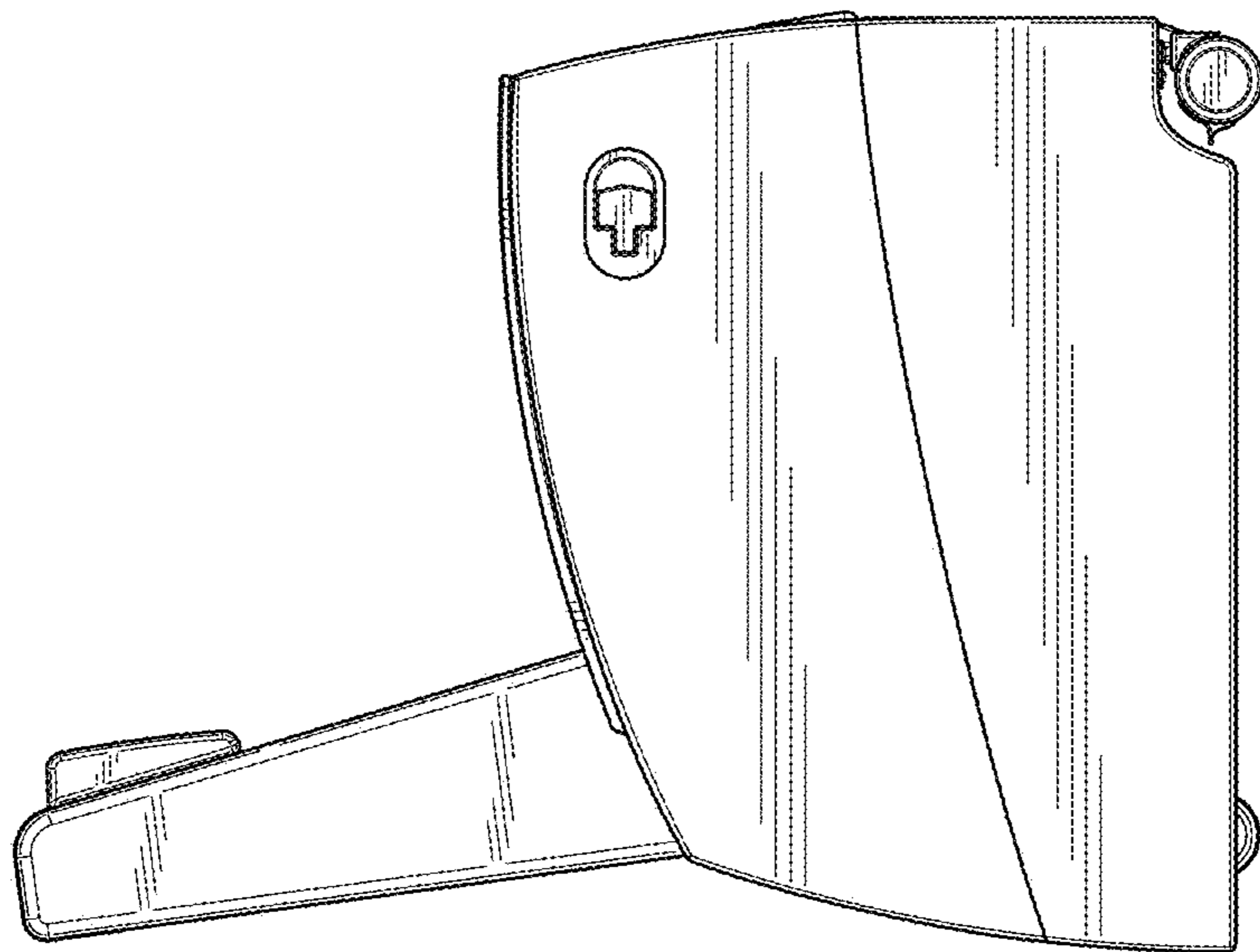


FIG. 39

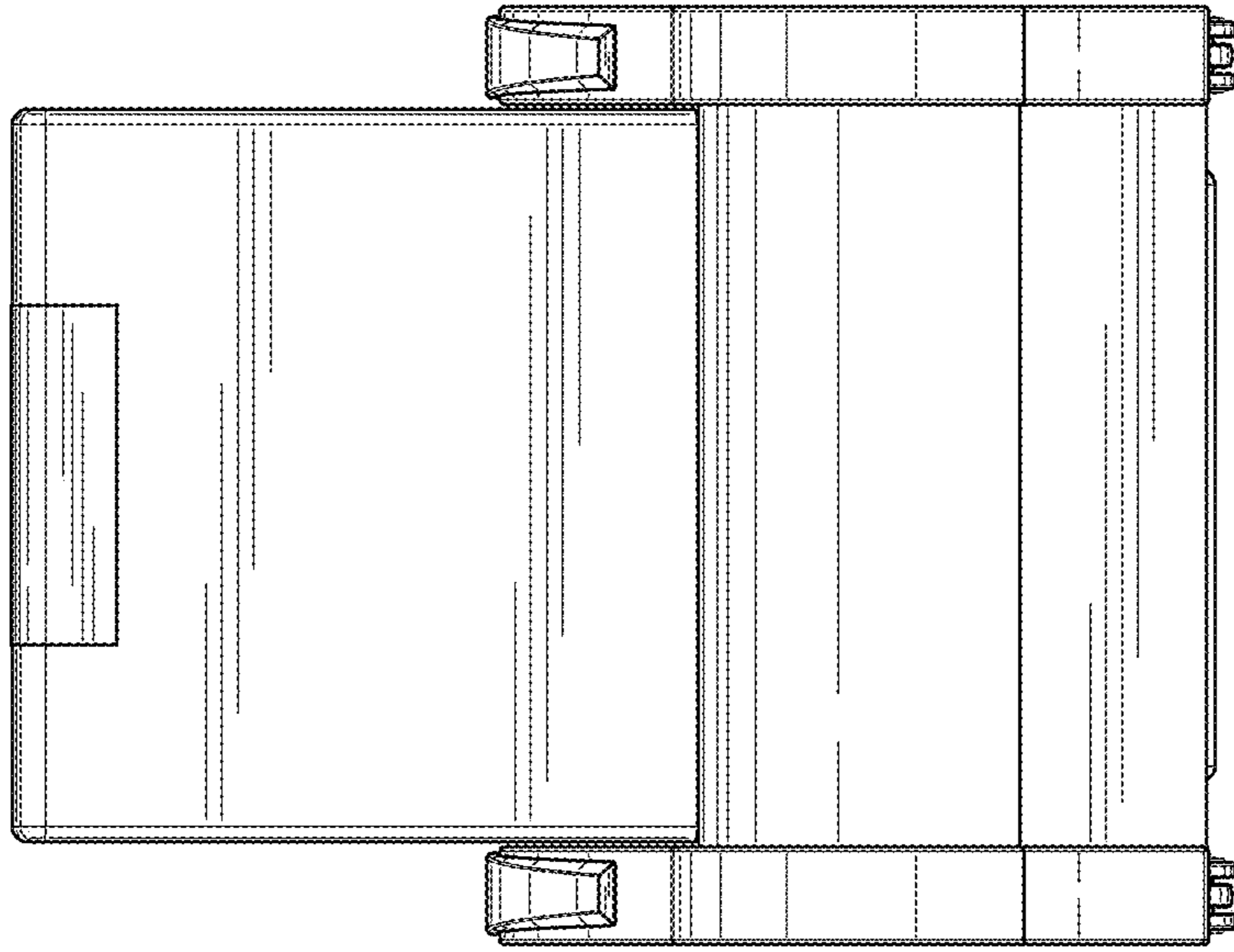


FIG. 41

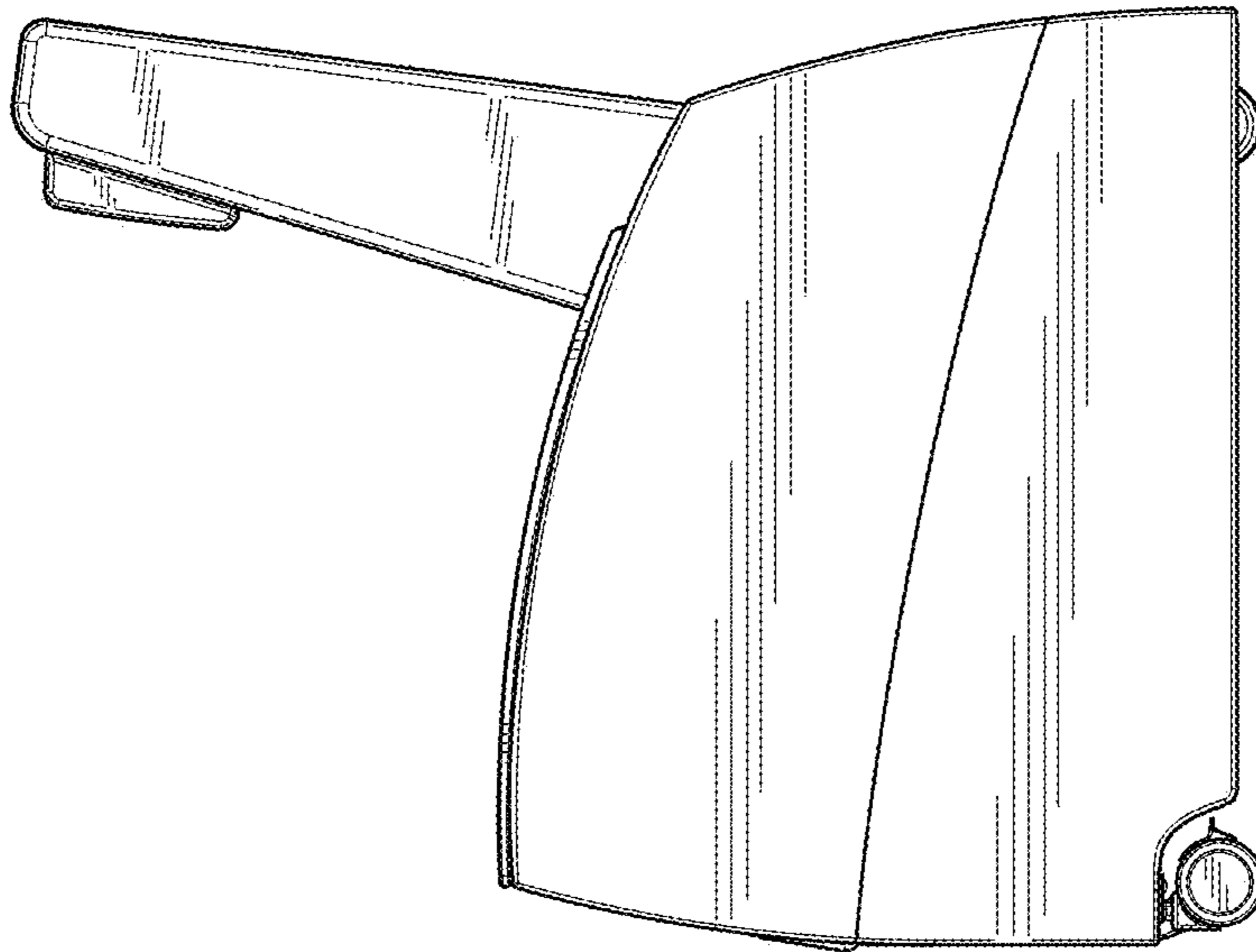


FIG. 40

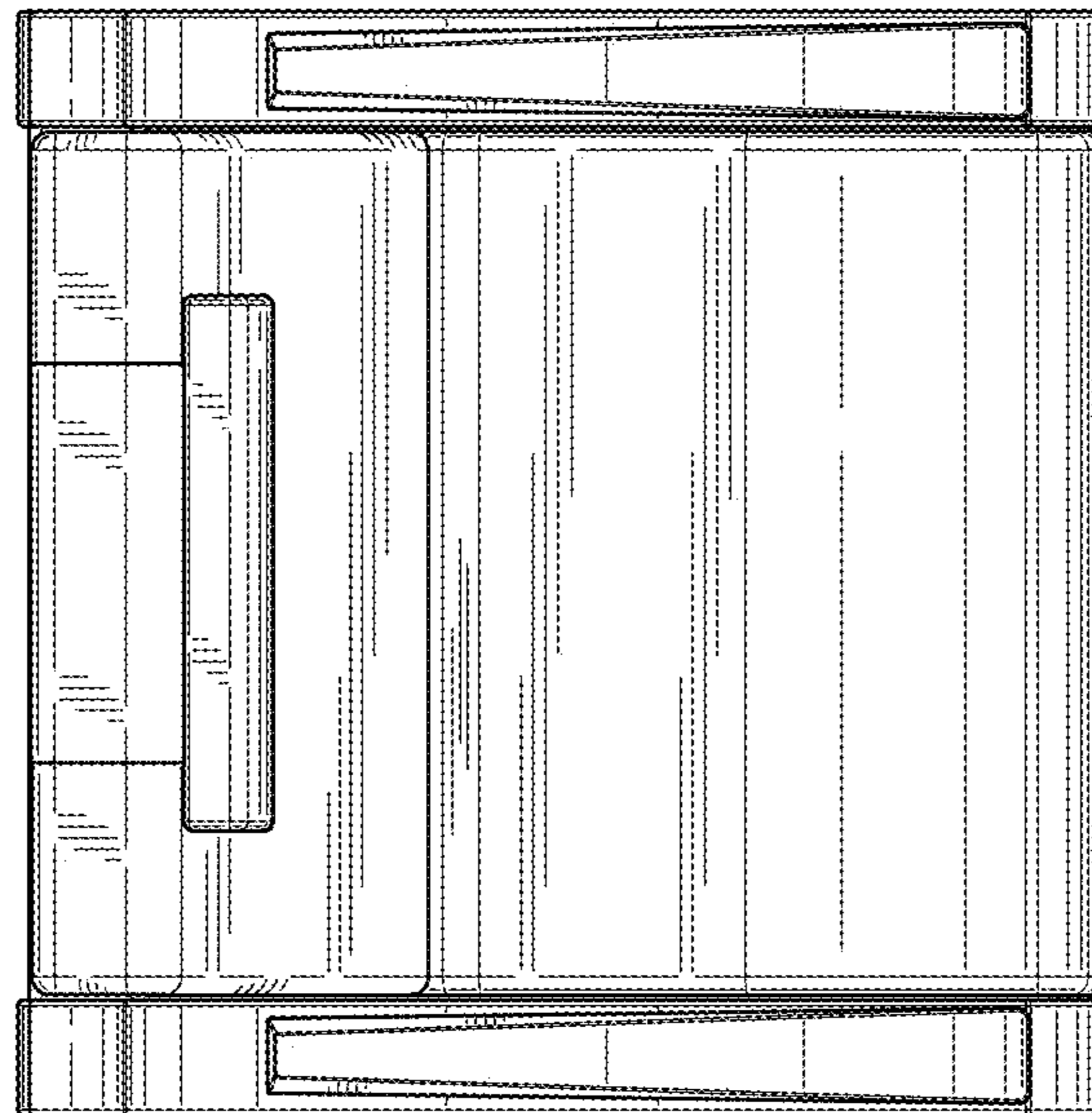


FIG. 42

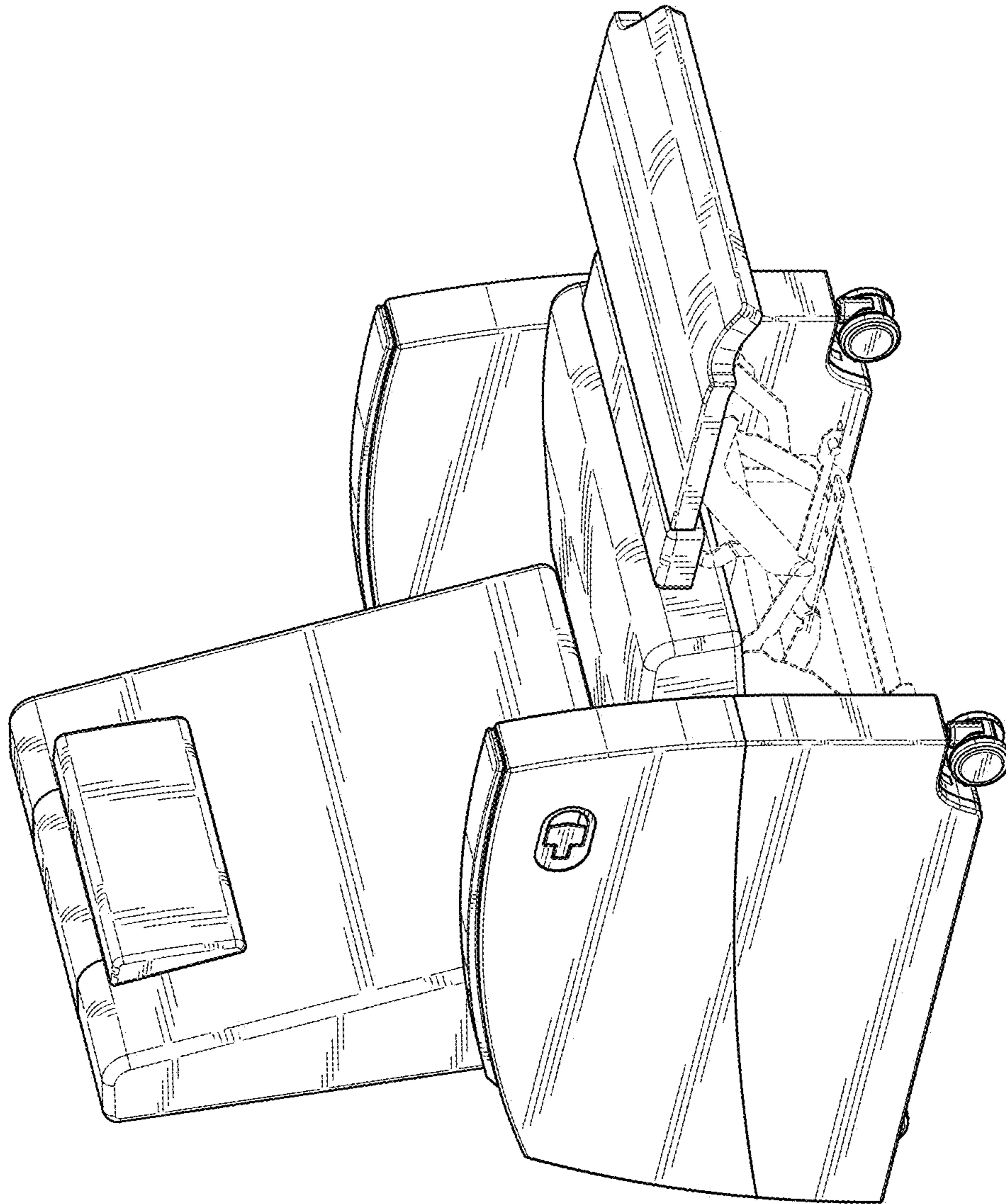


FIG. 43

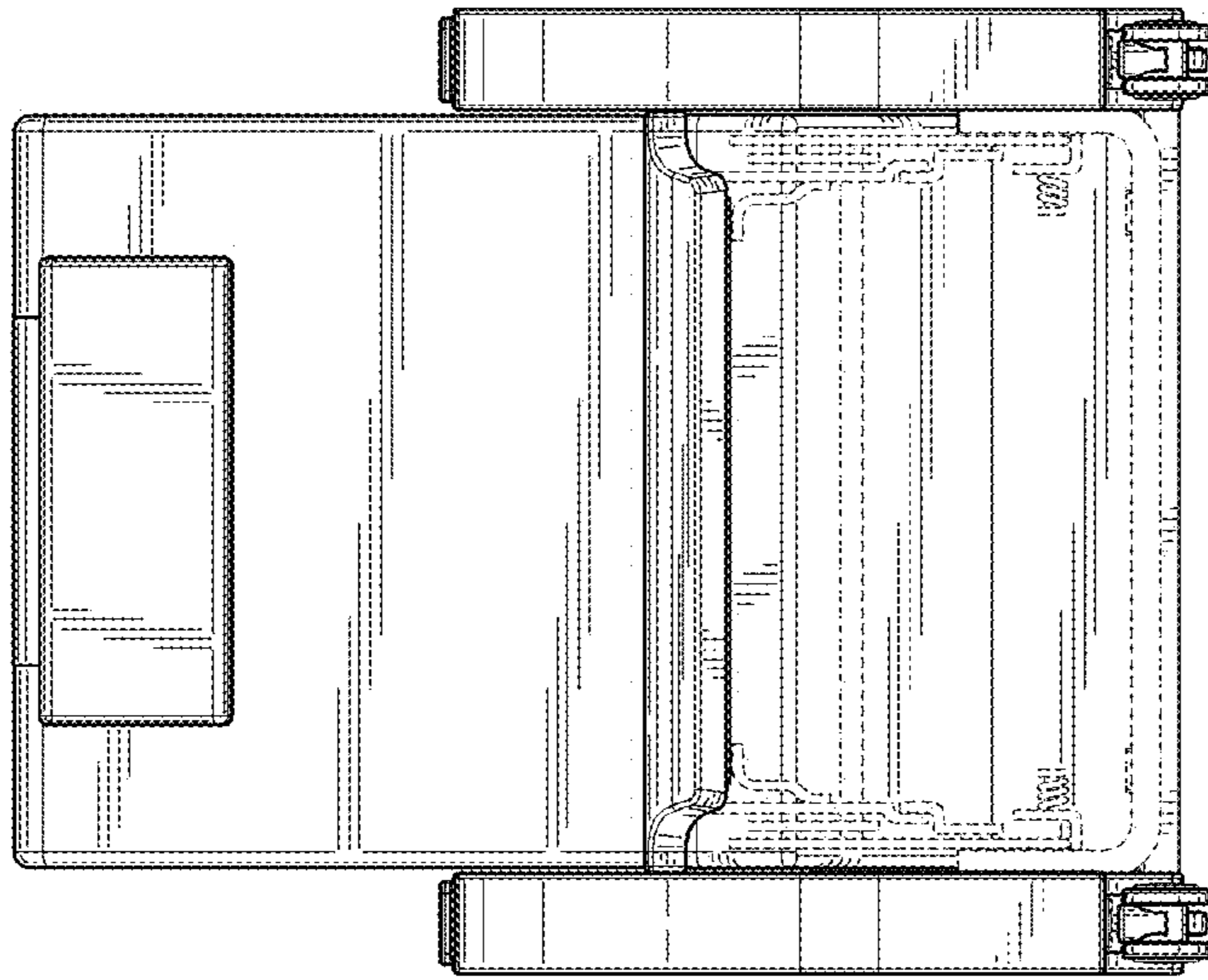


FIG. 45

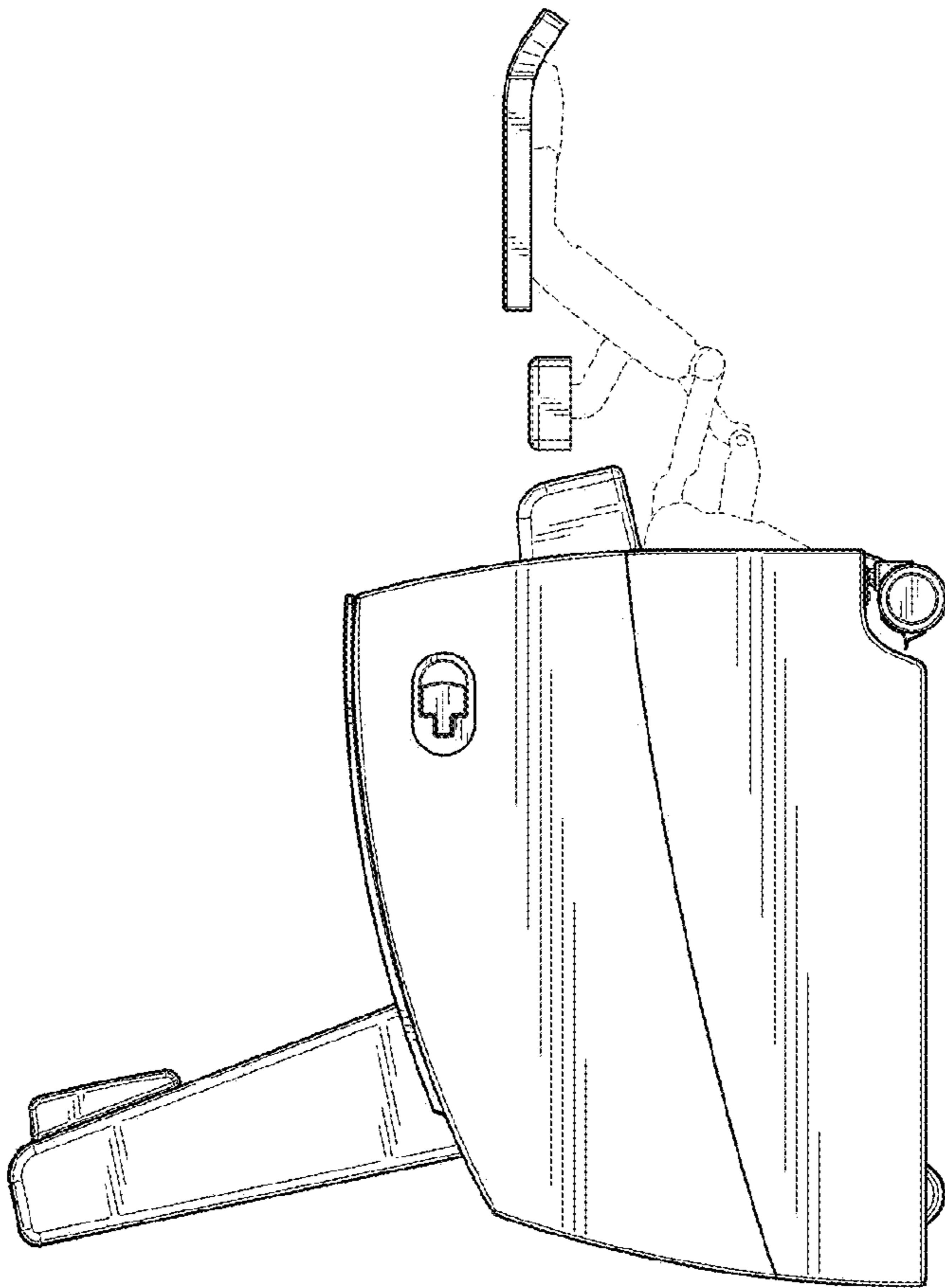


FIG. 44

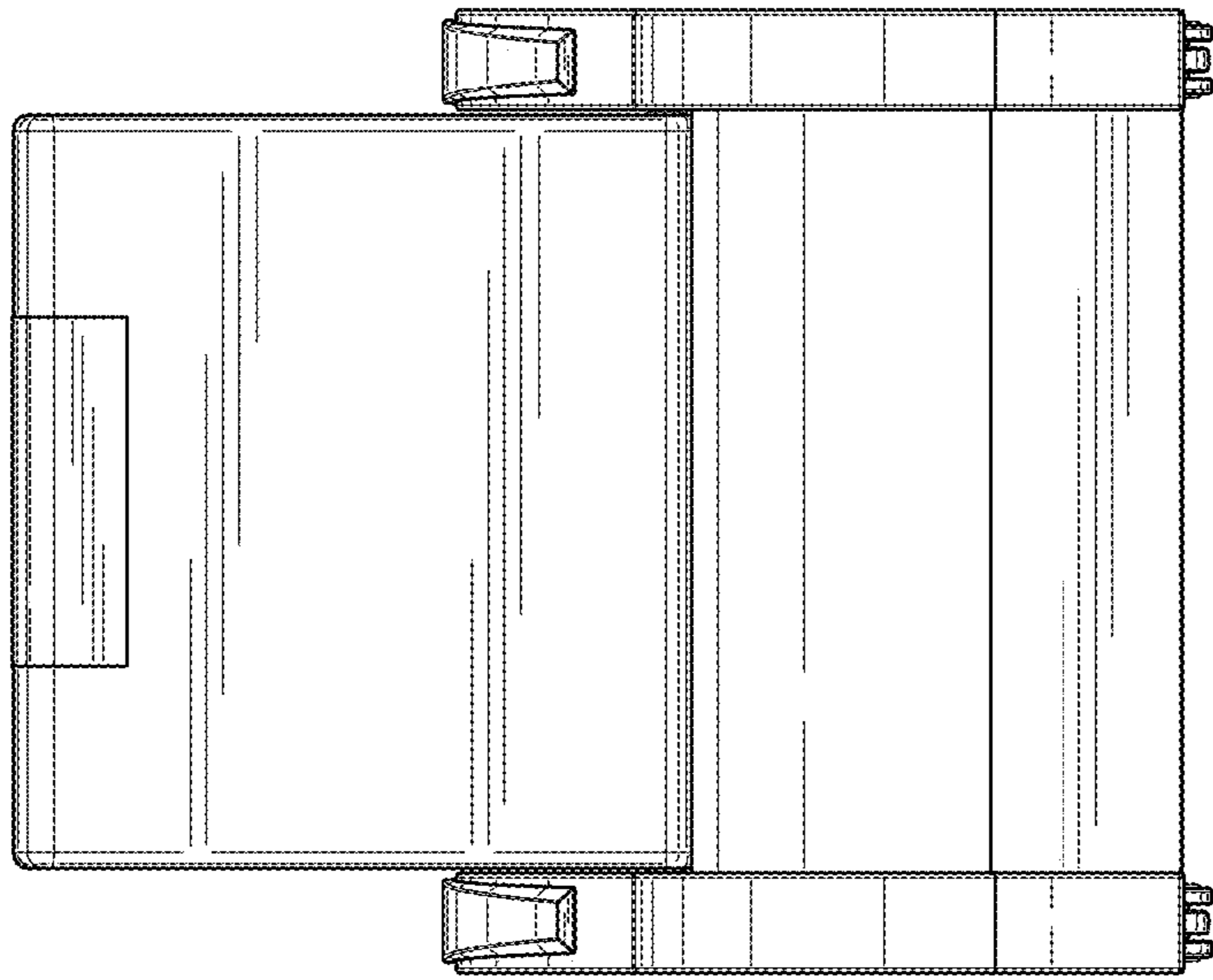


FIG. 47

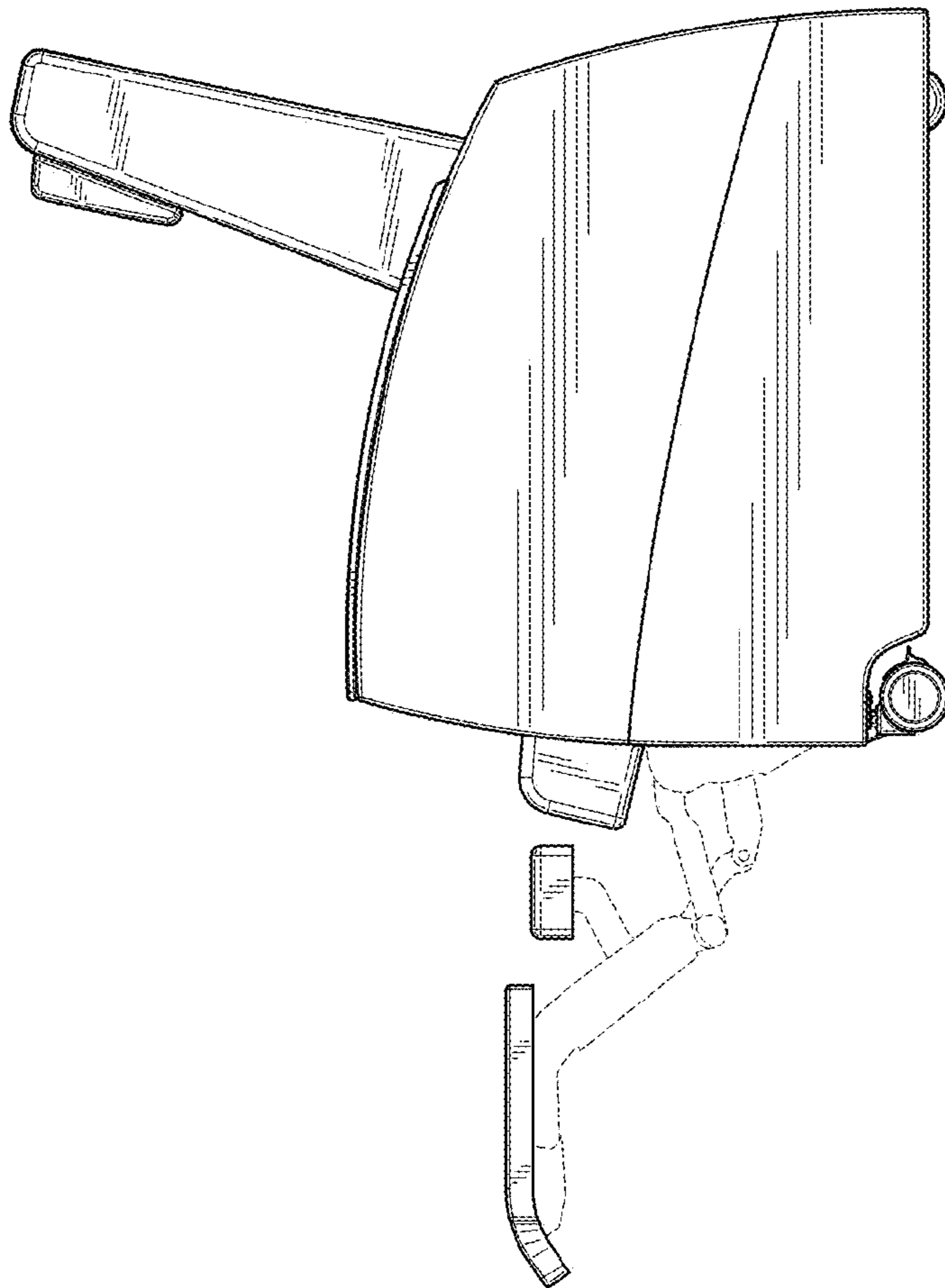


FIG. 46

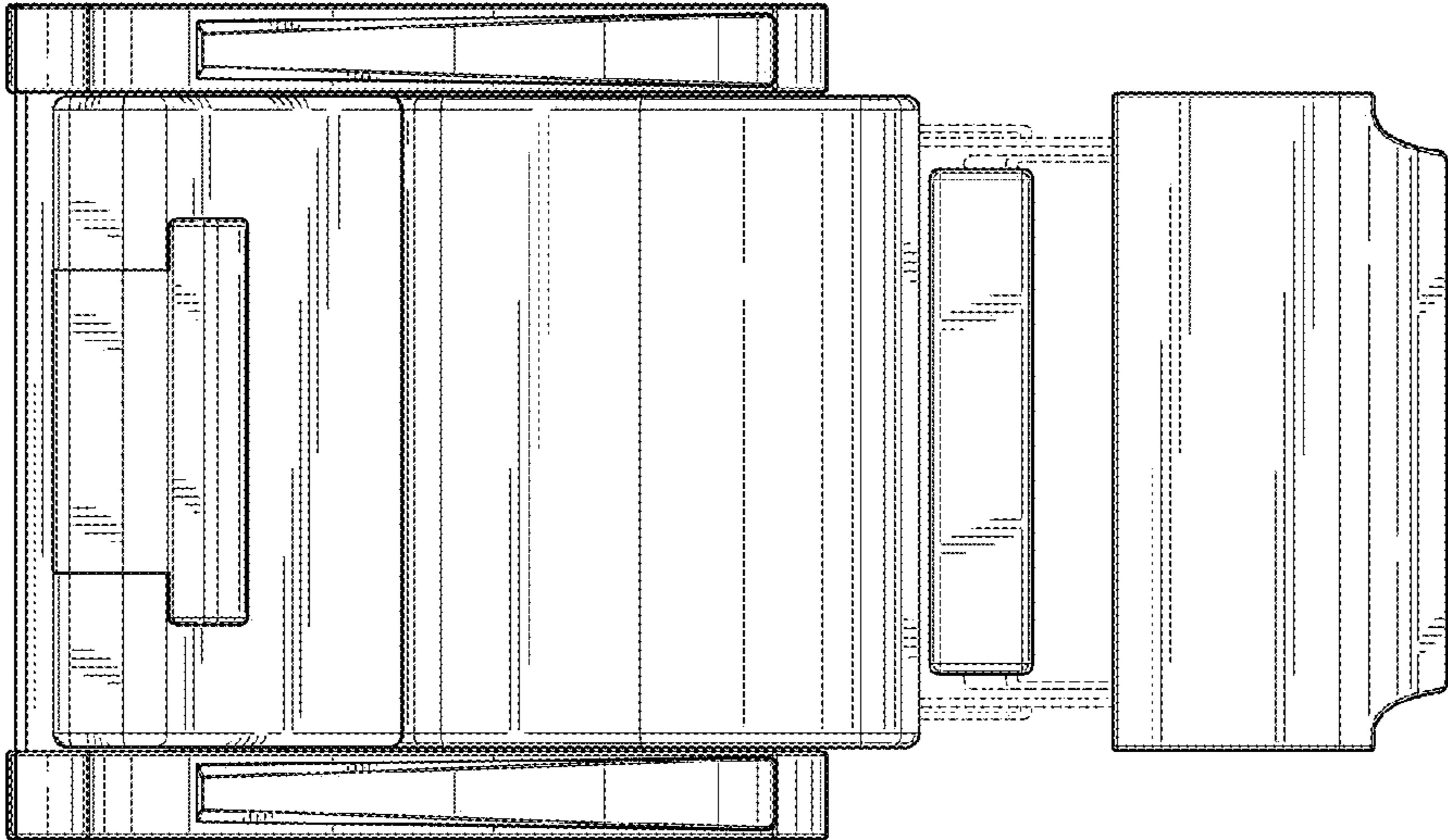


FIG. 48

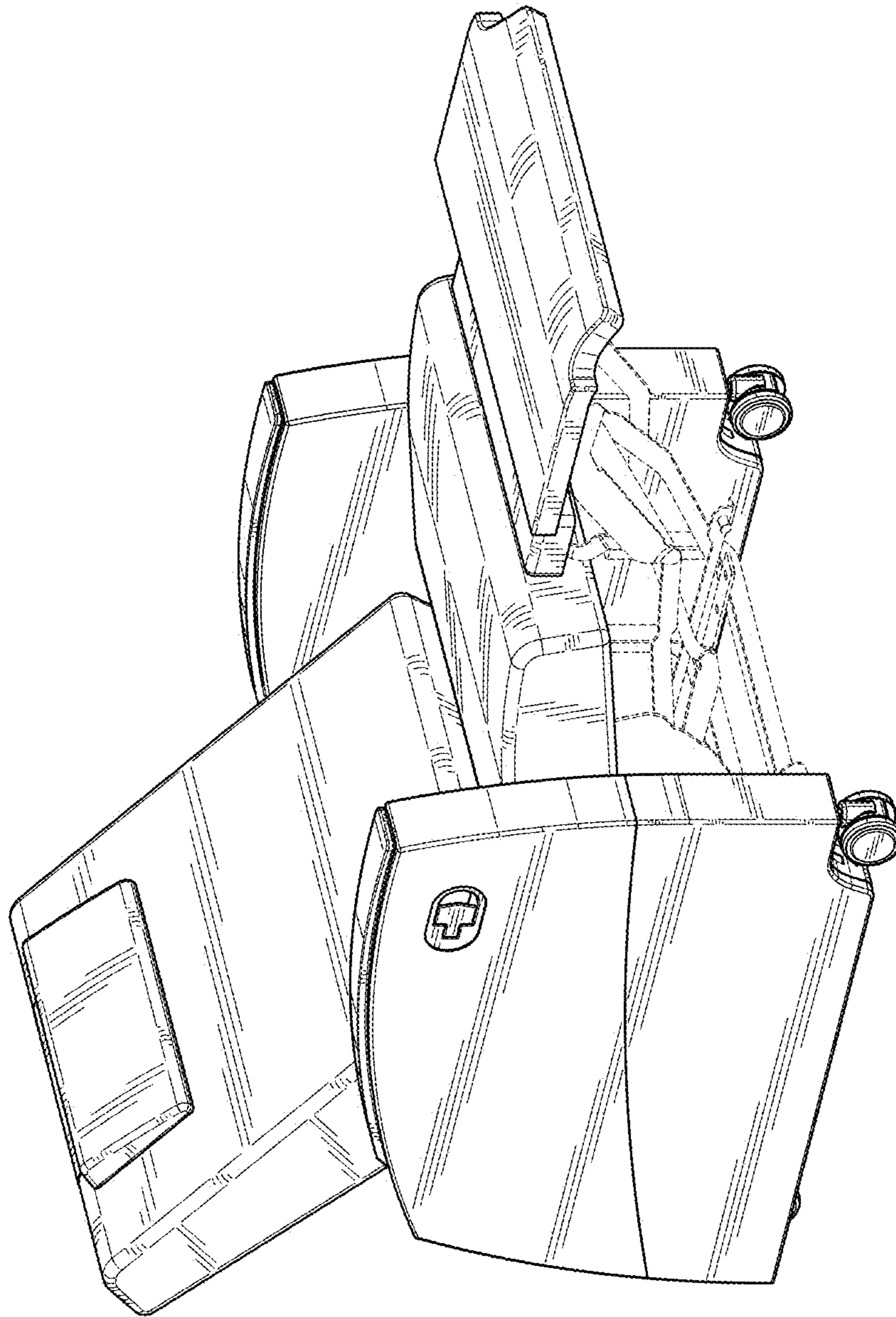


FIG. 49

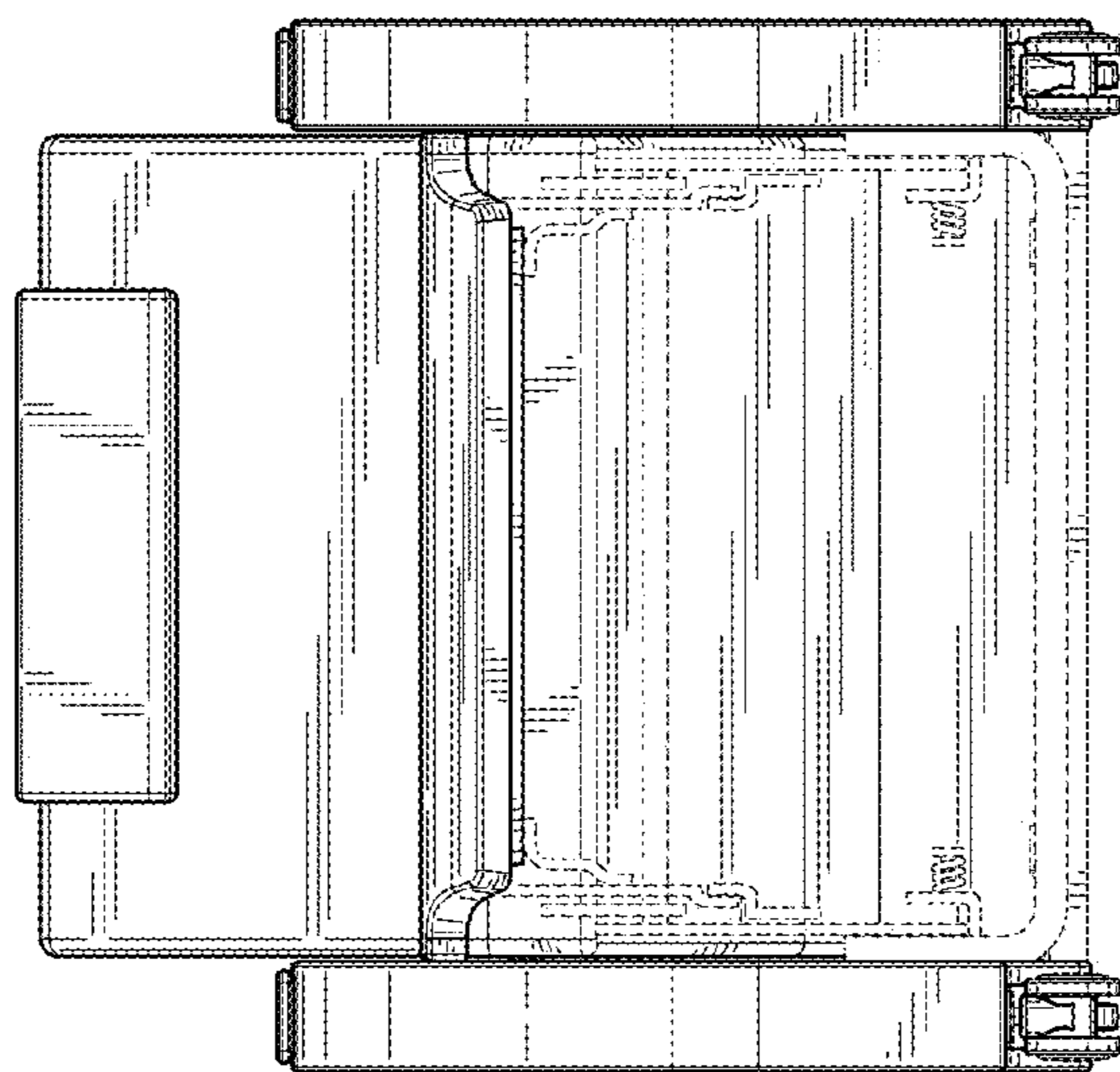


FIG. 51

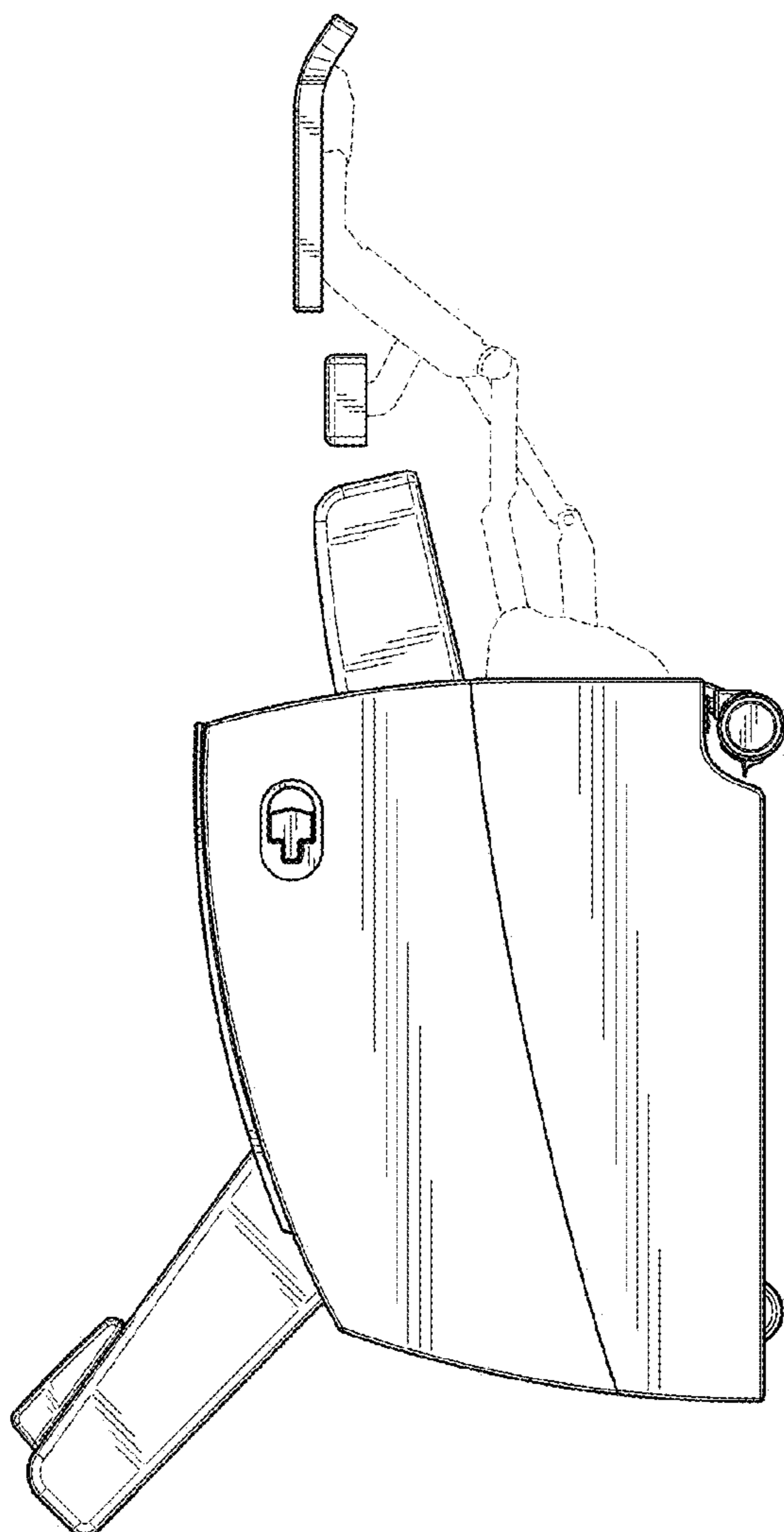


FIG. 50

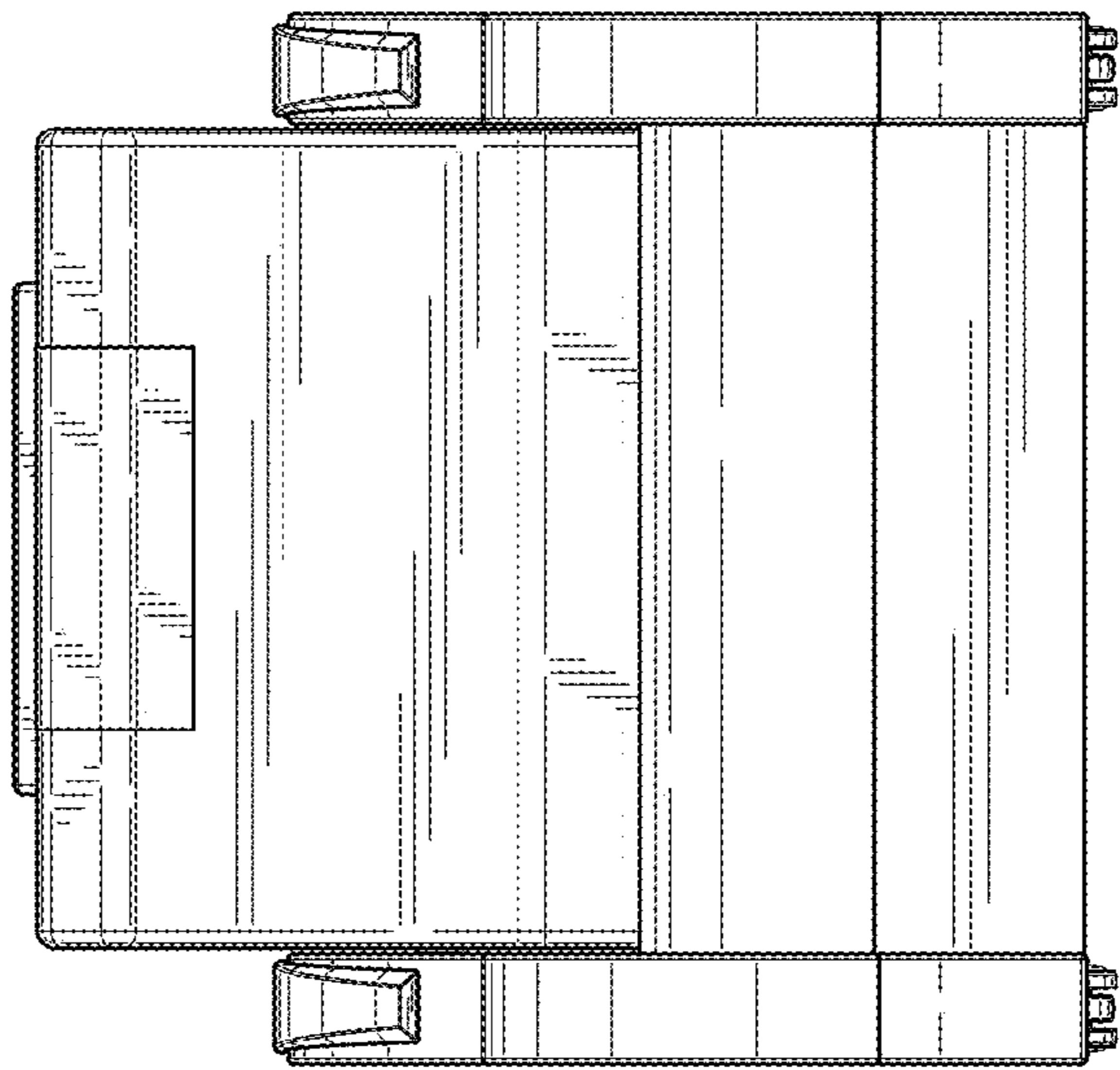


FIG. 53

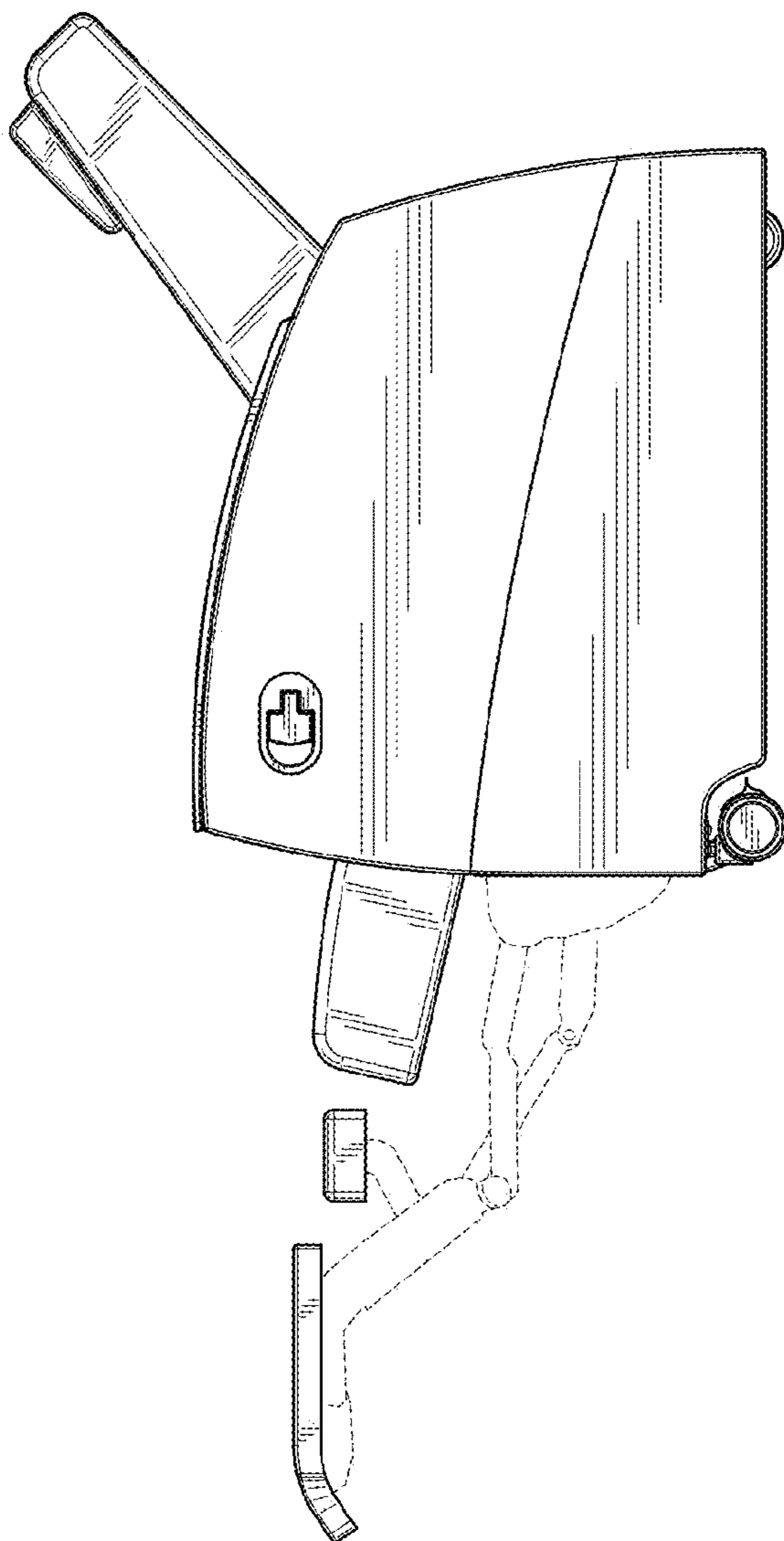


FIG. 52

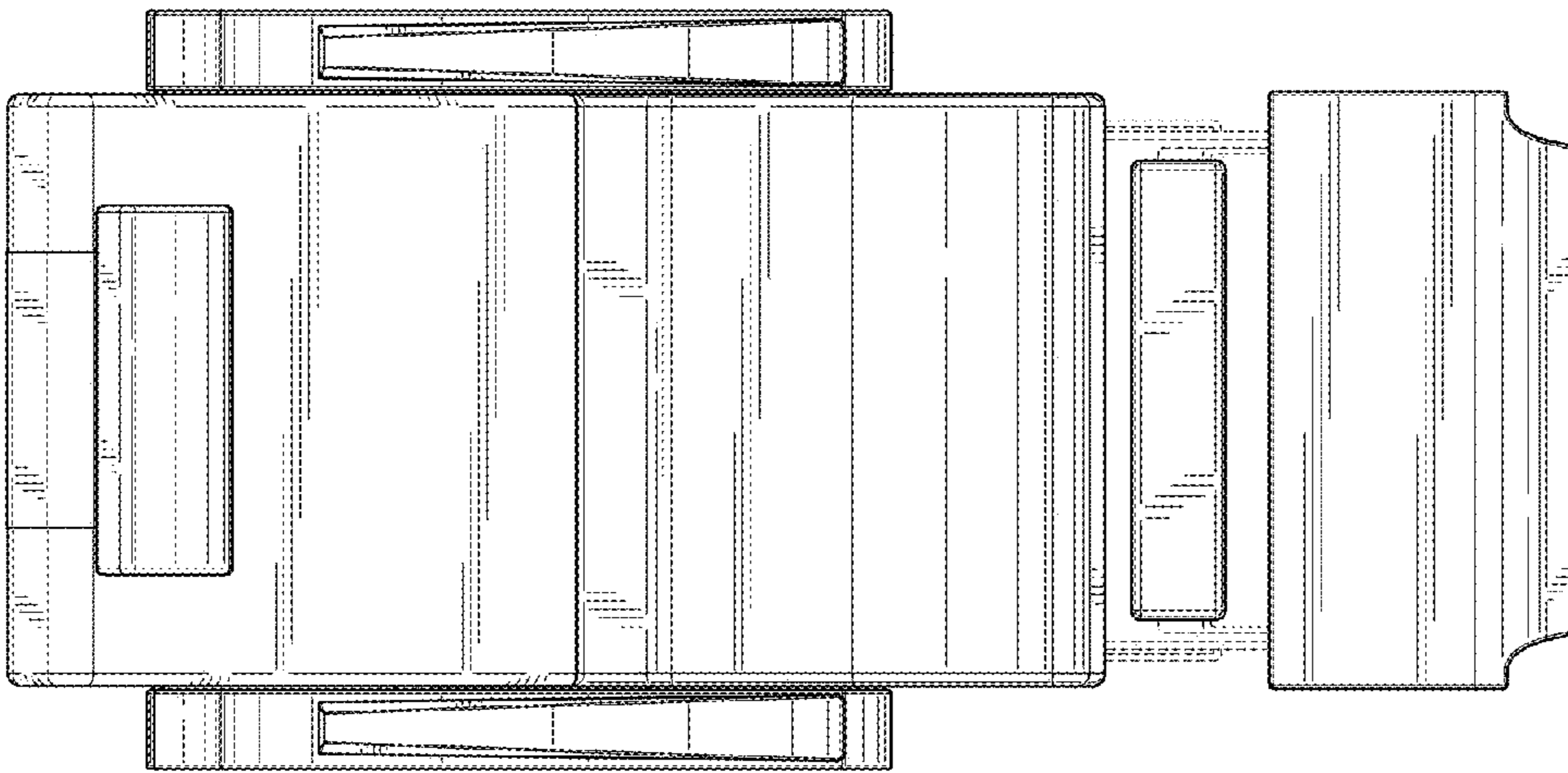


FIG. 54

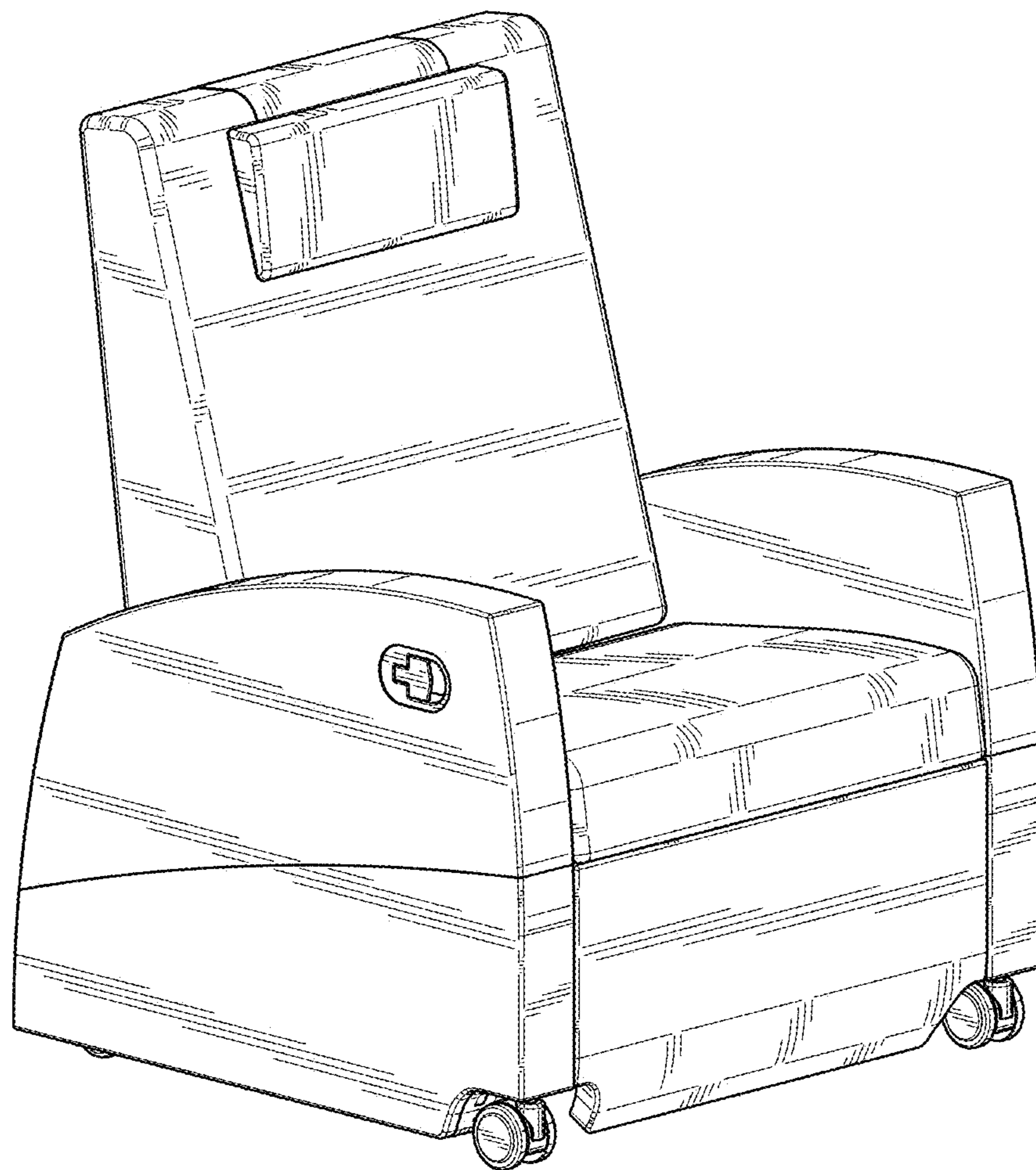


FIG. 55

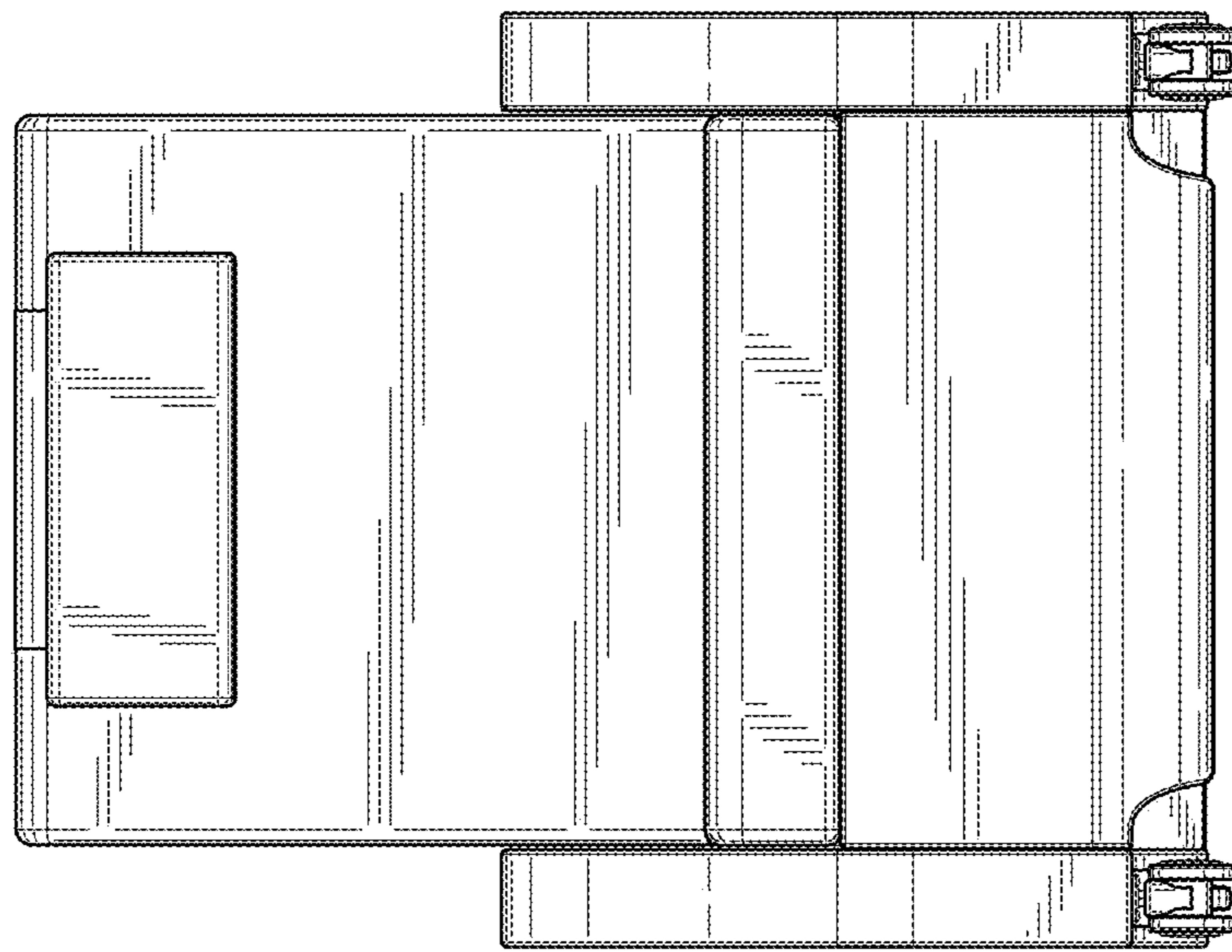


FIG. 56

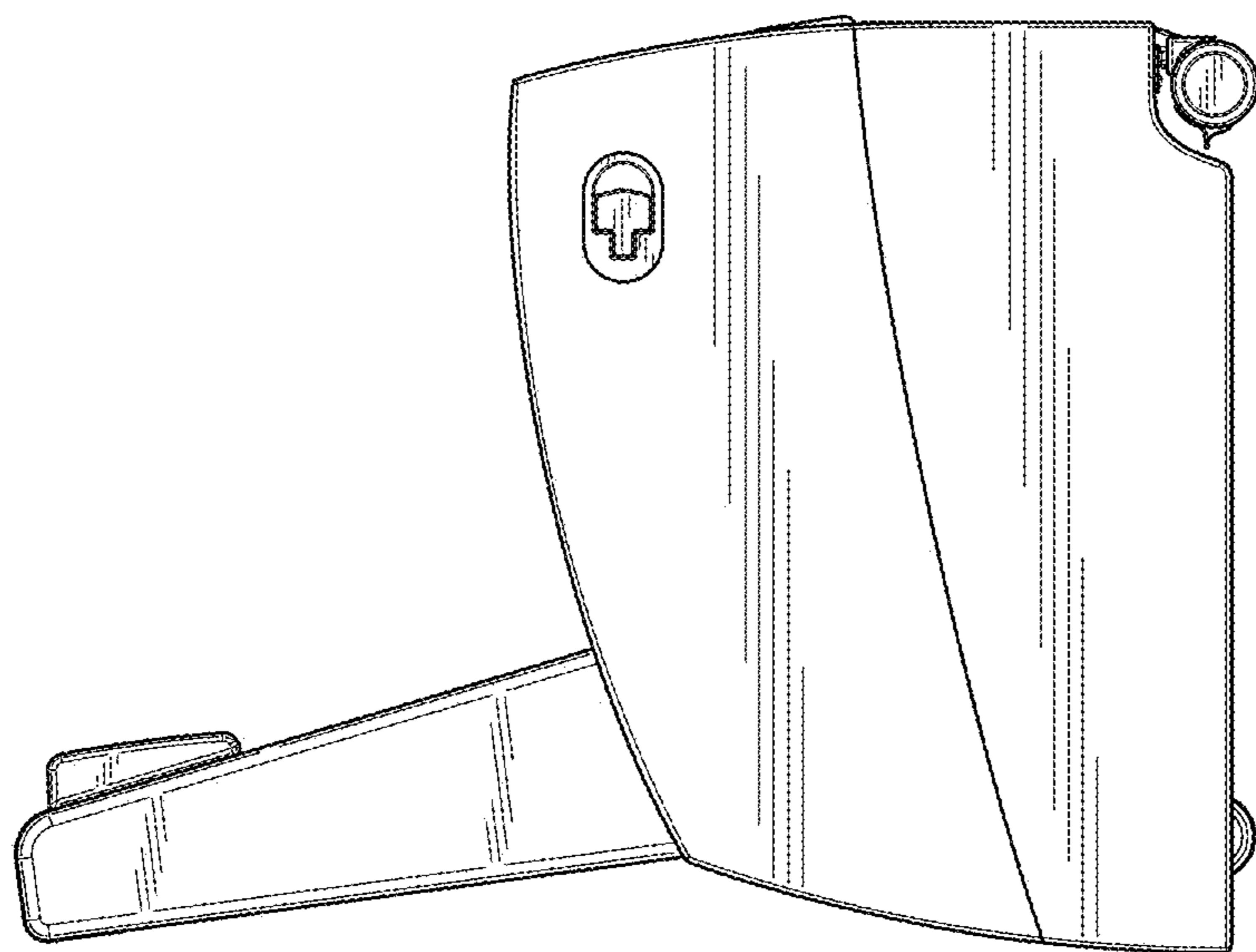


FIG. 57

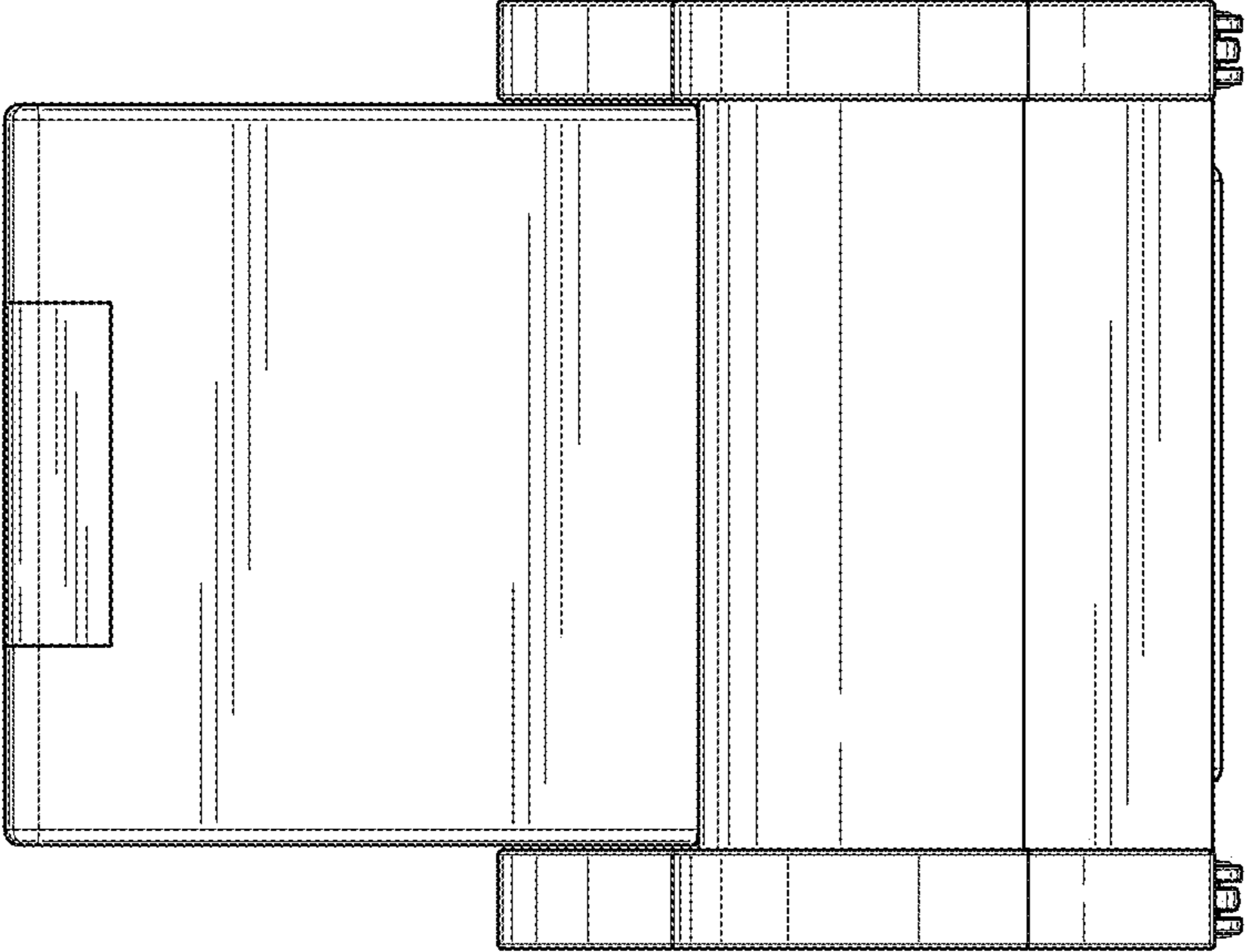


FIG. 59

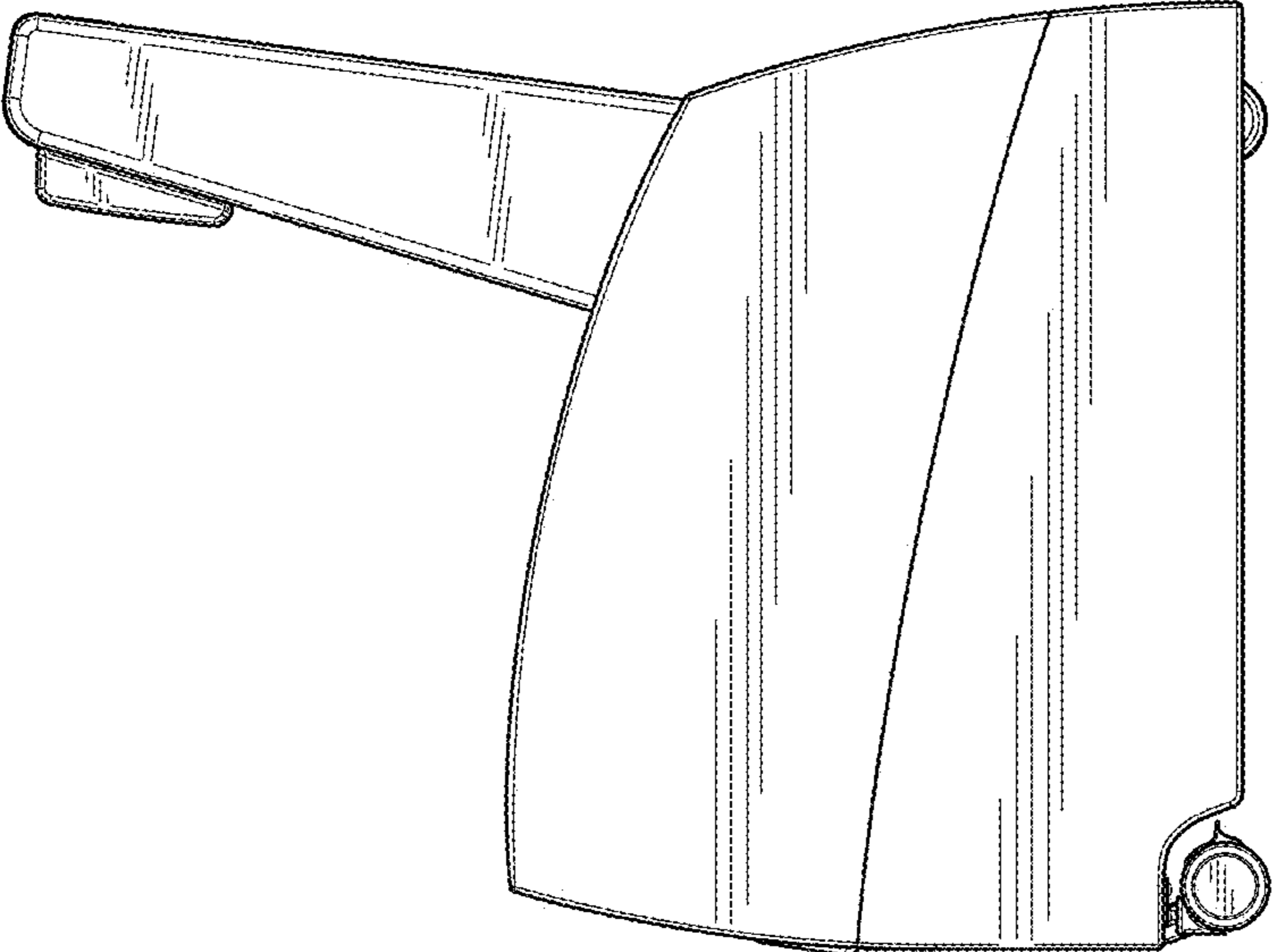


FIG. 58

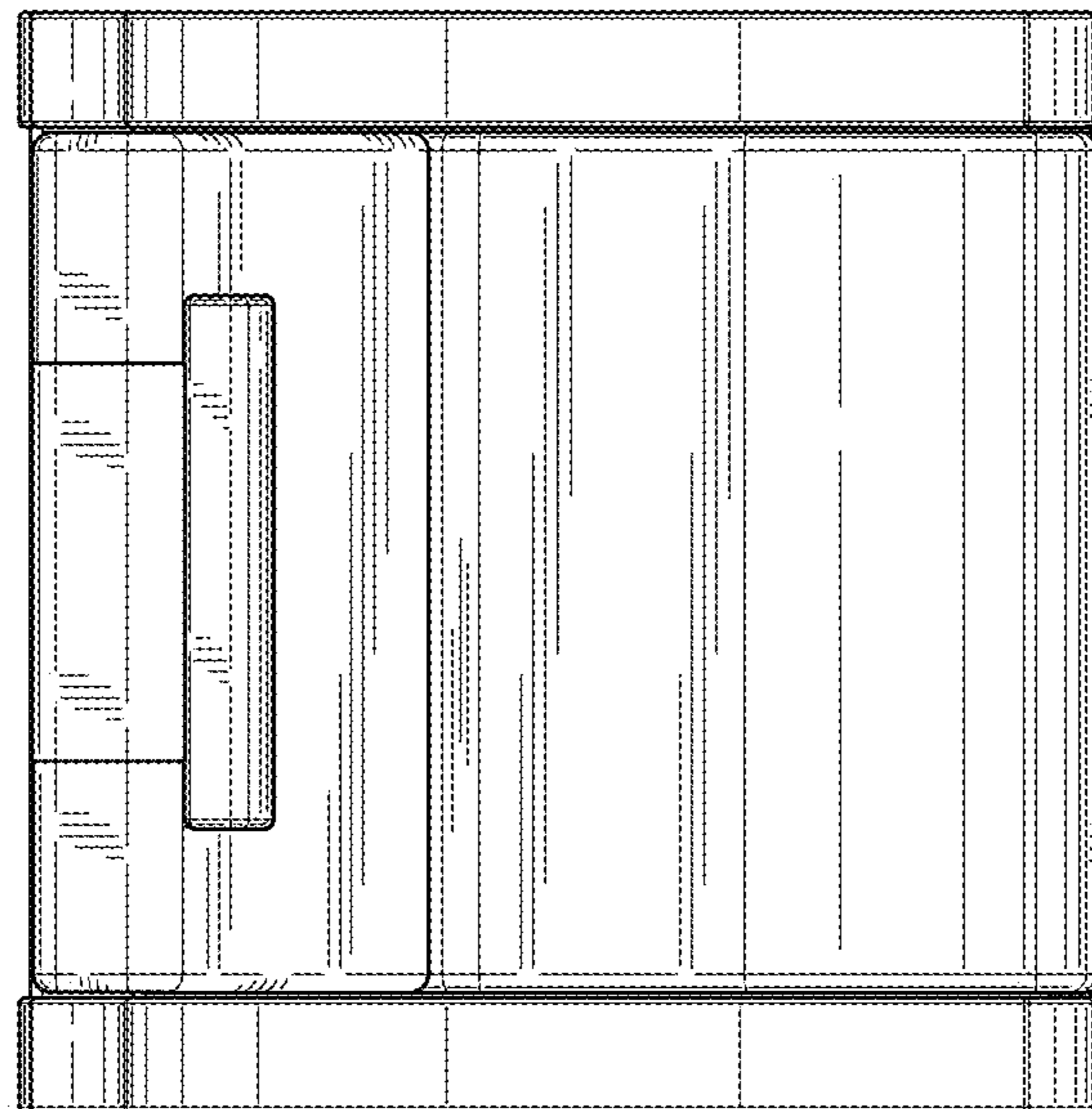


FIG. 60

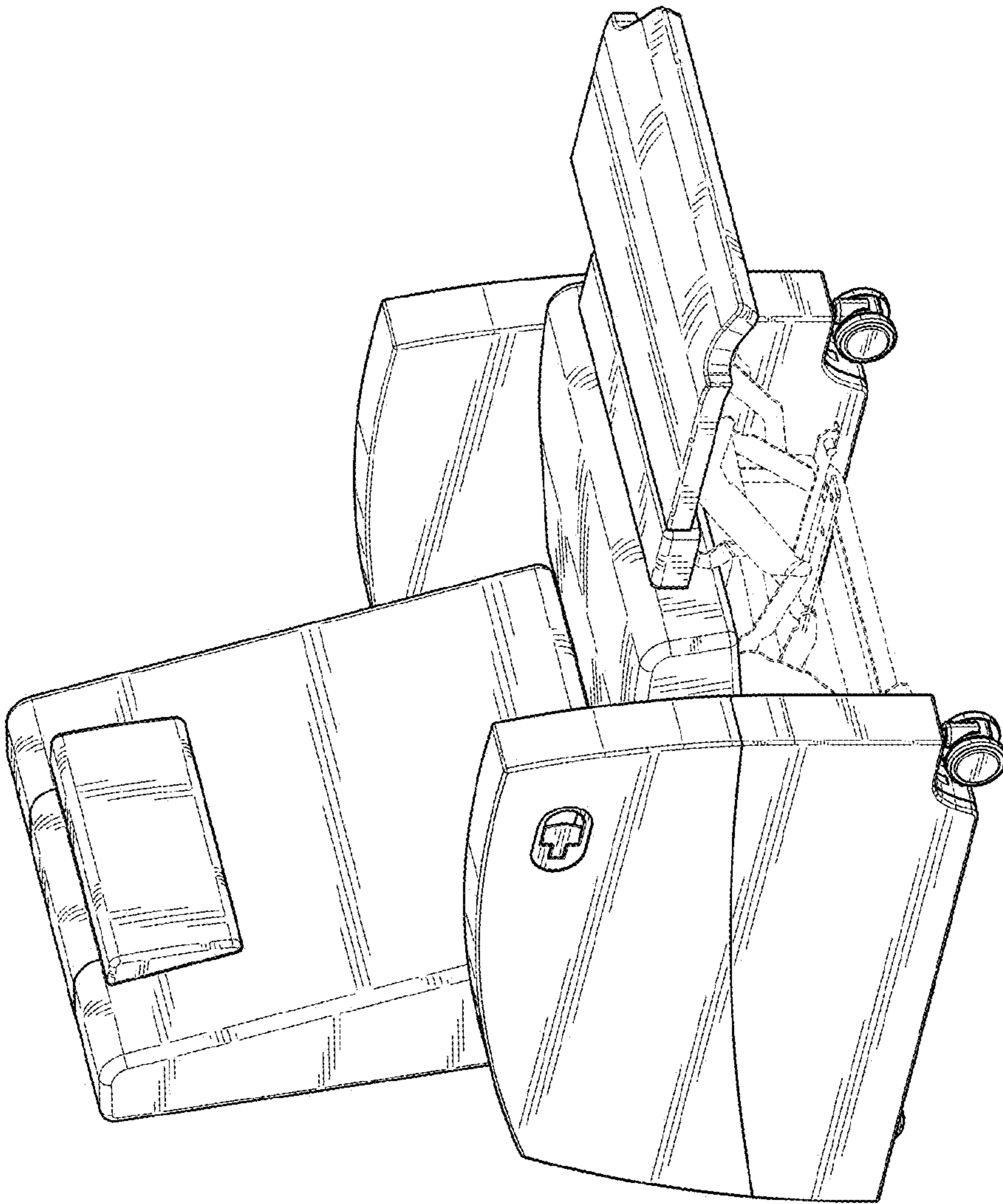


FIG. 61

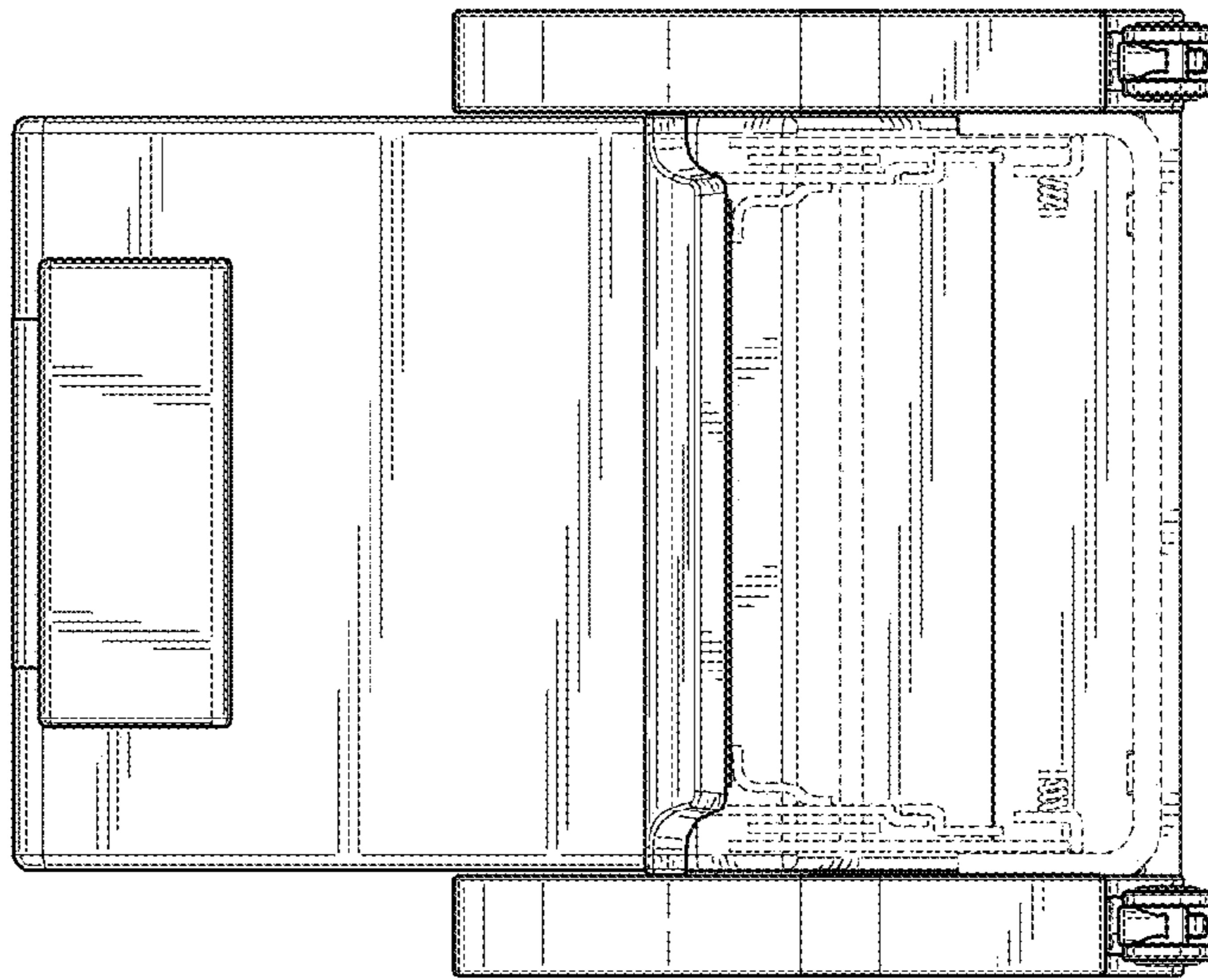


FIG. 63

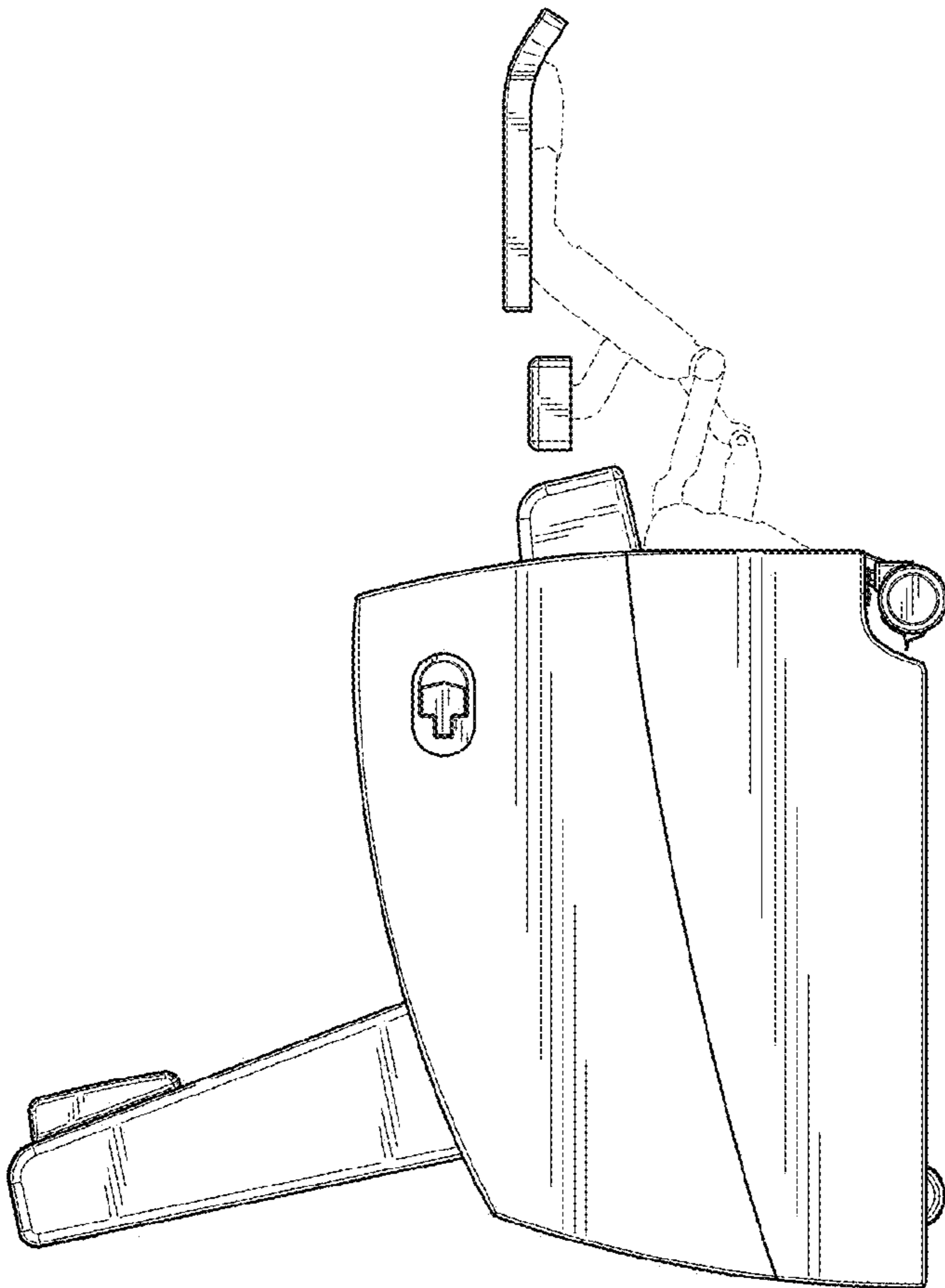


FIG. 62

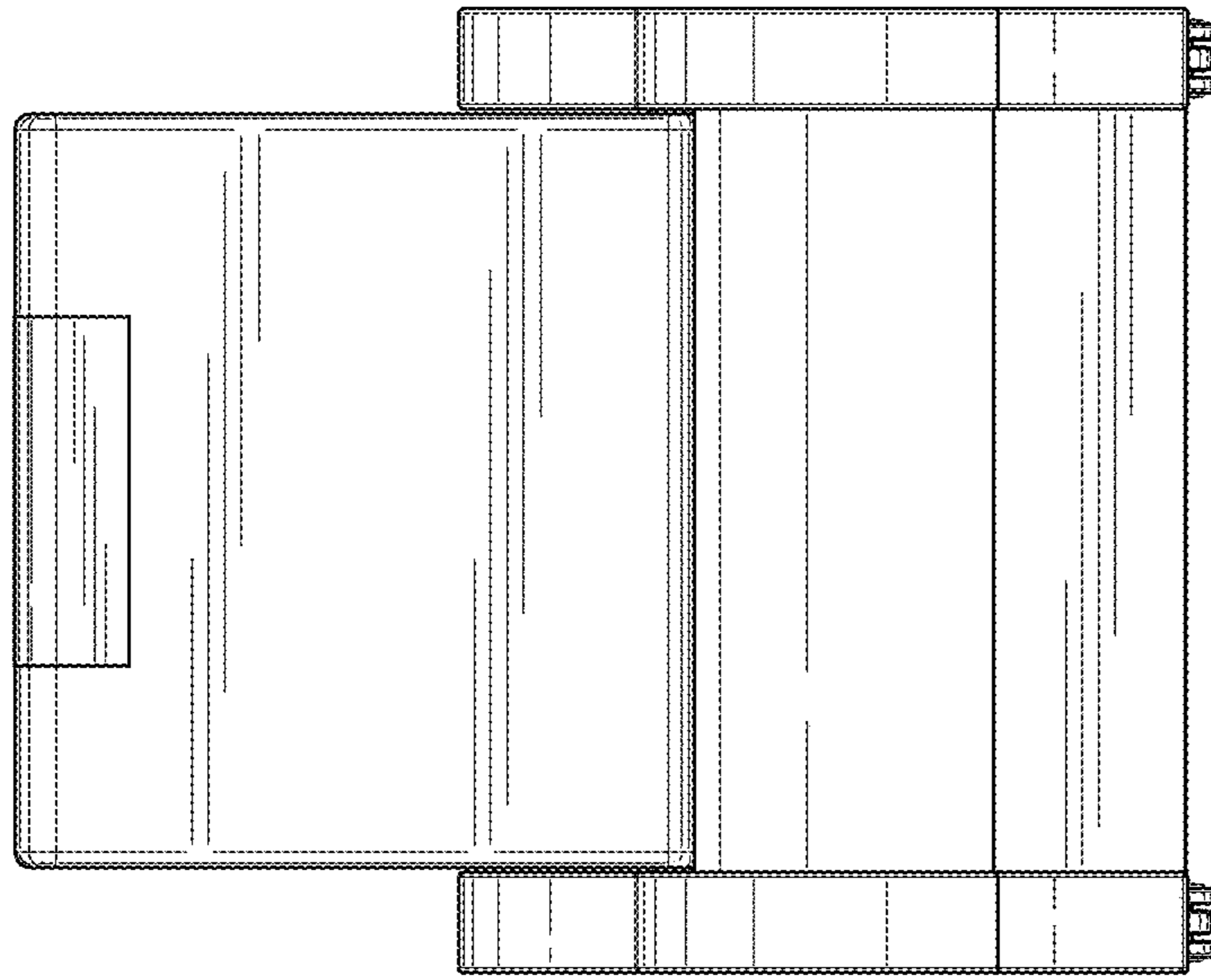


FIG. 65

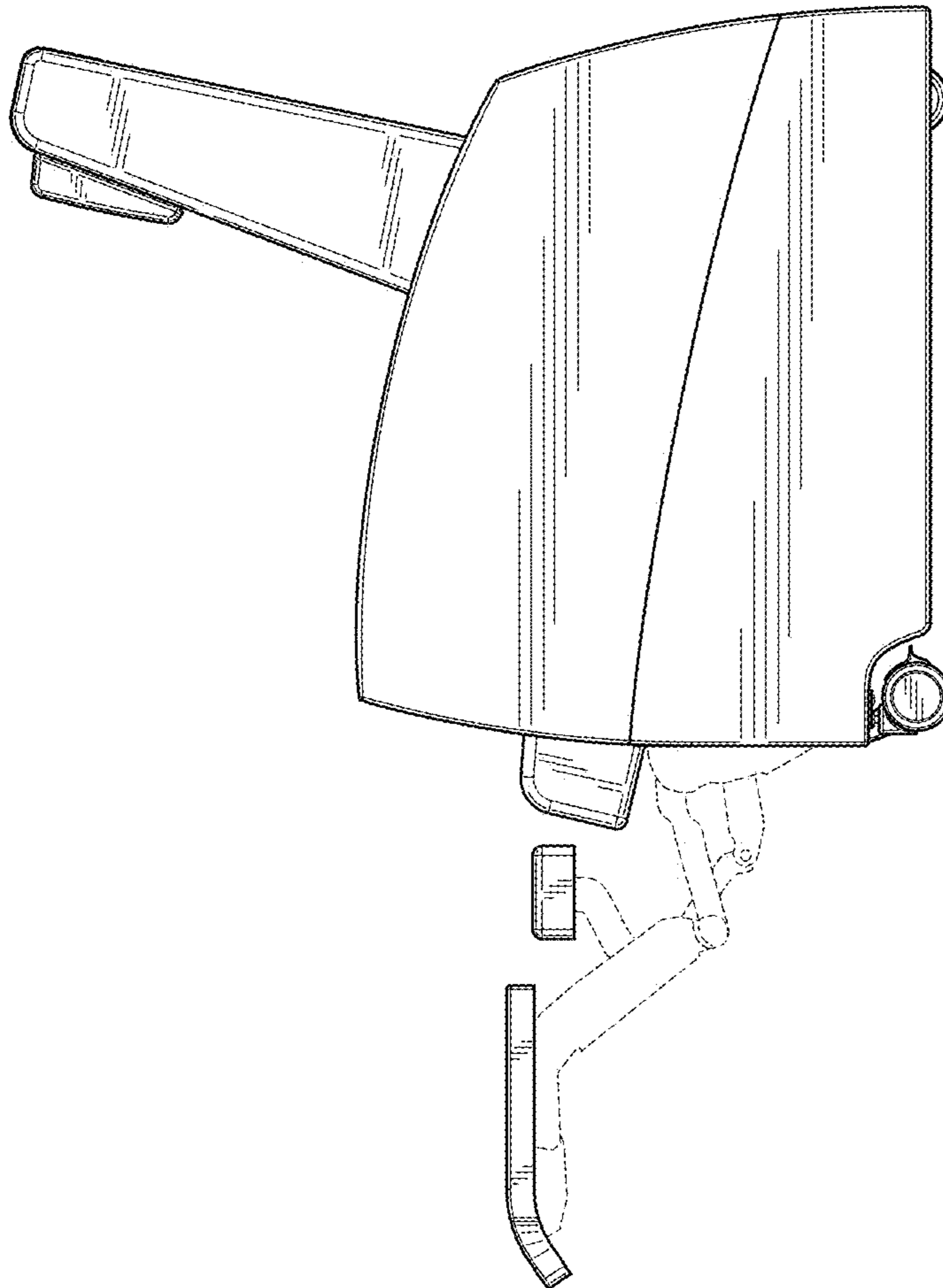


FIG. 64

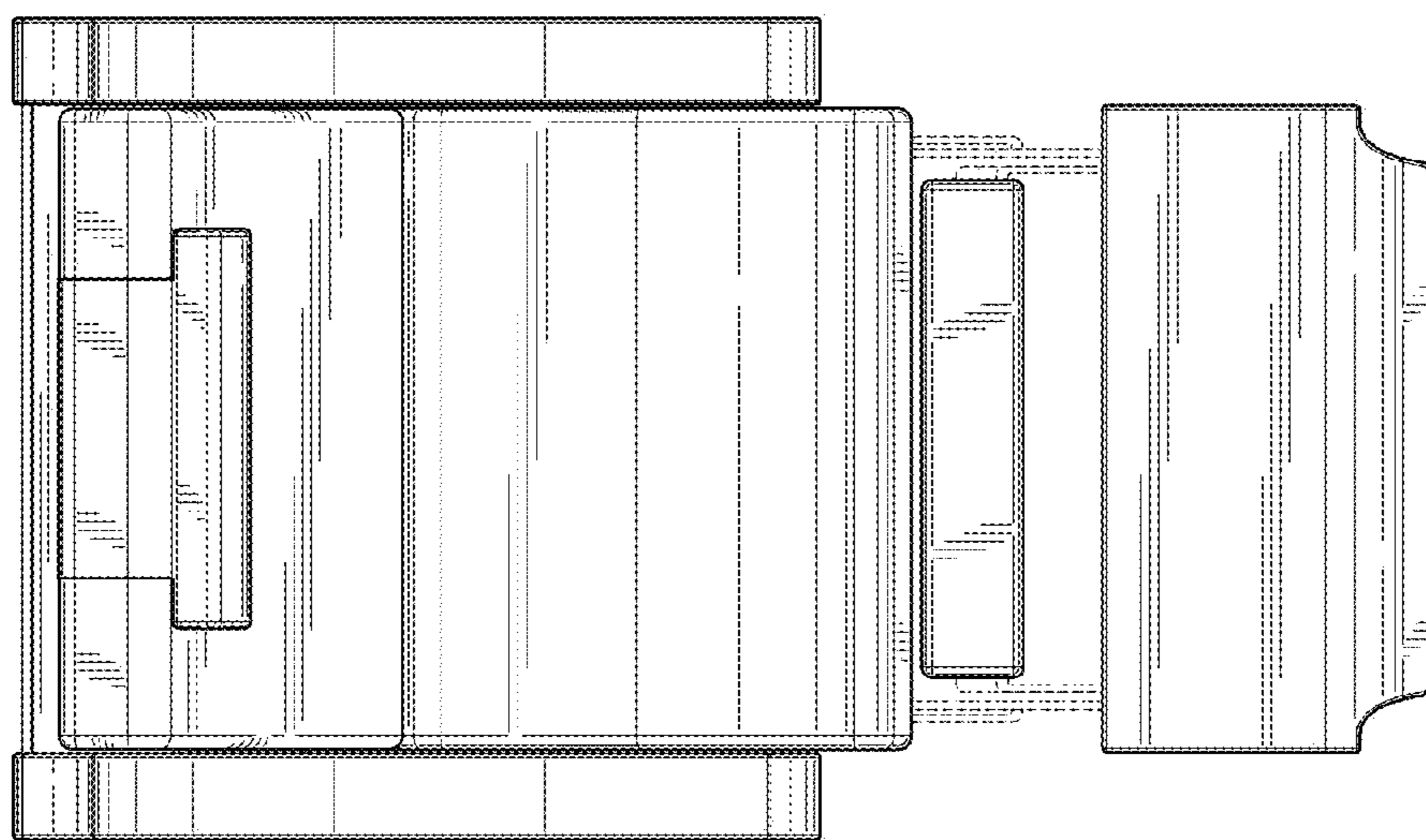


FIG. 66

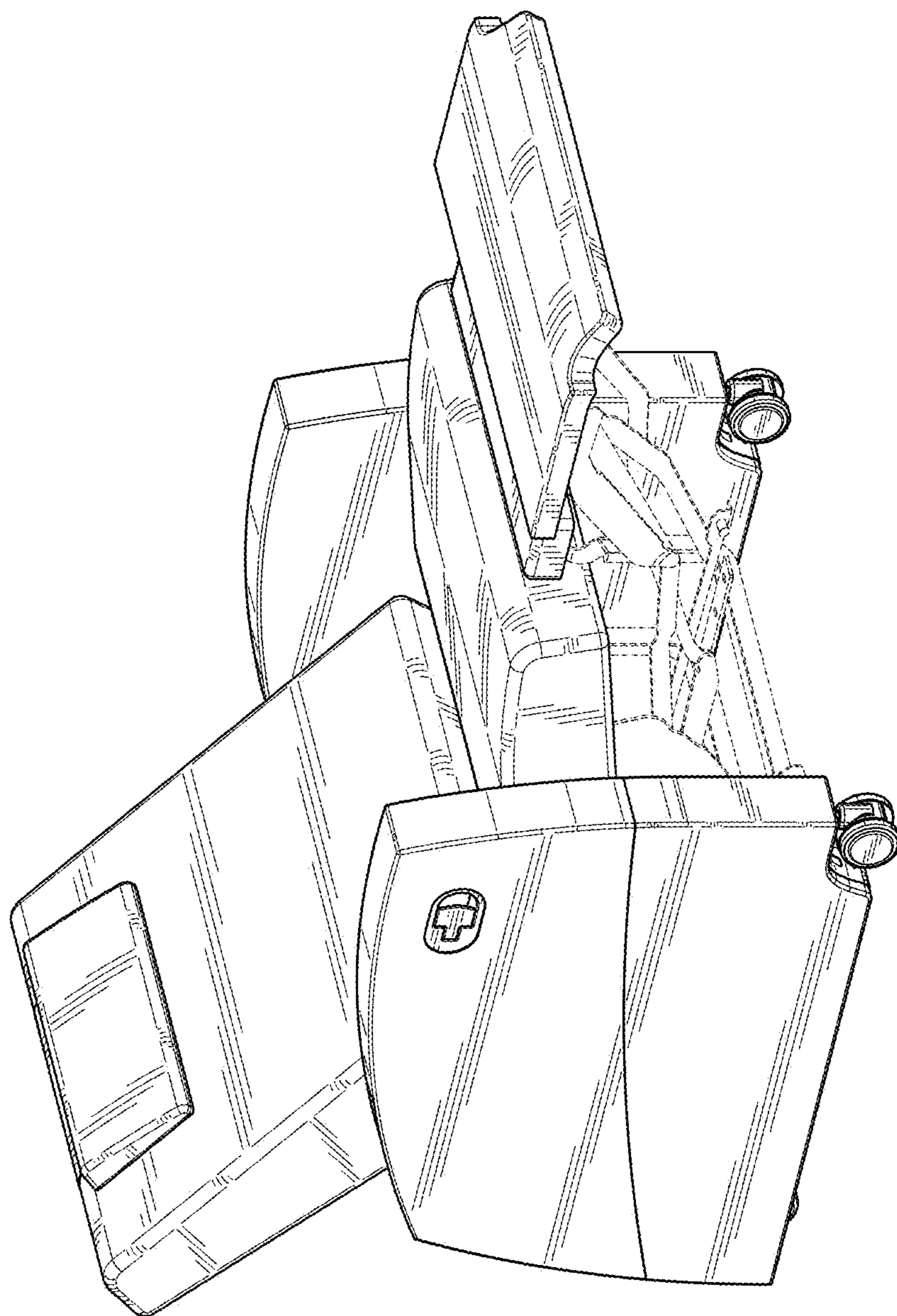


FIG. 67

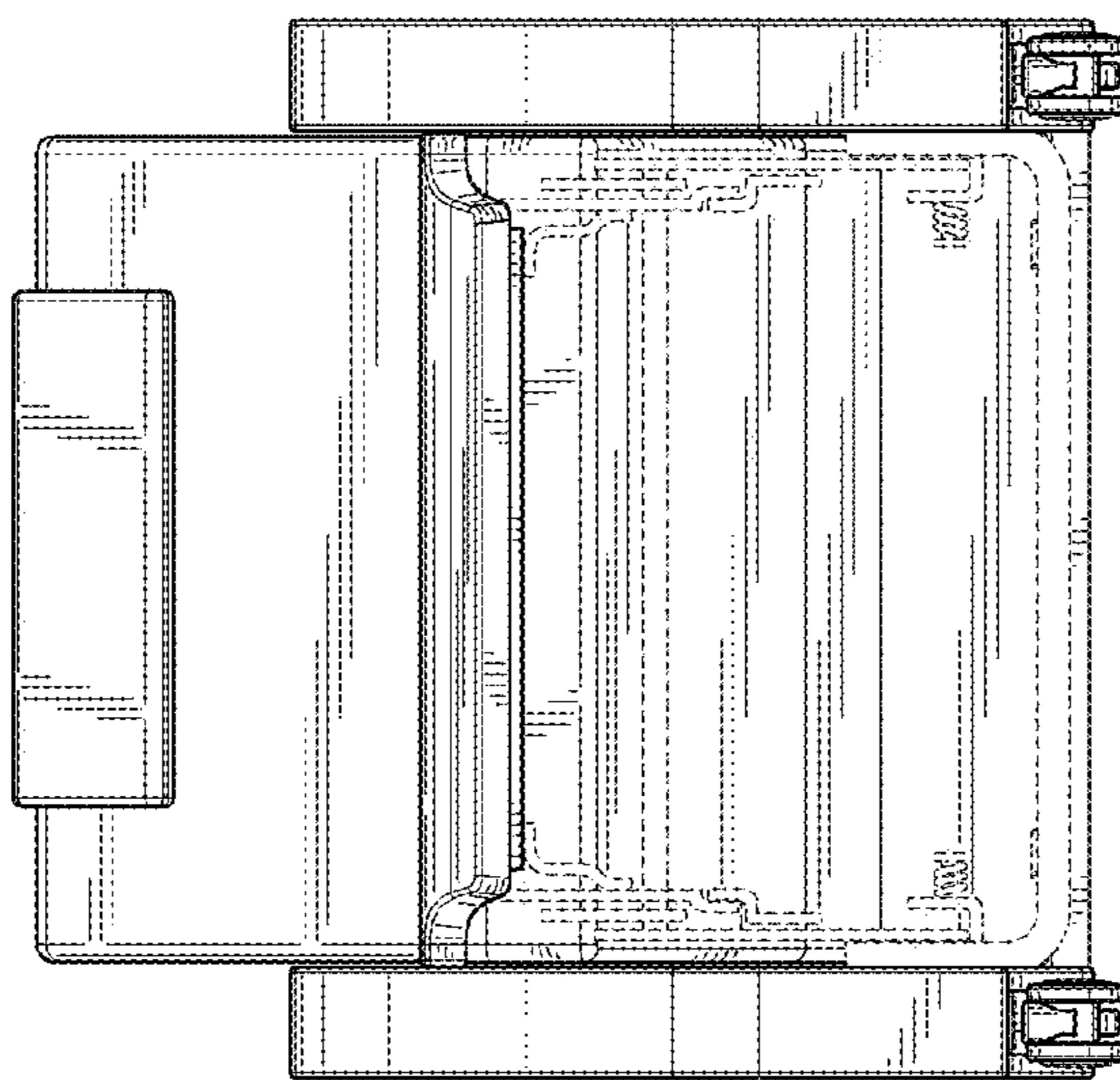


FIG. 69

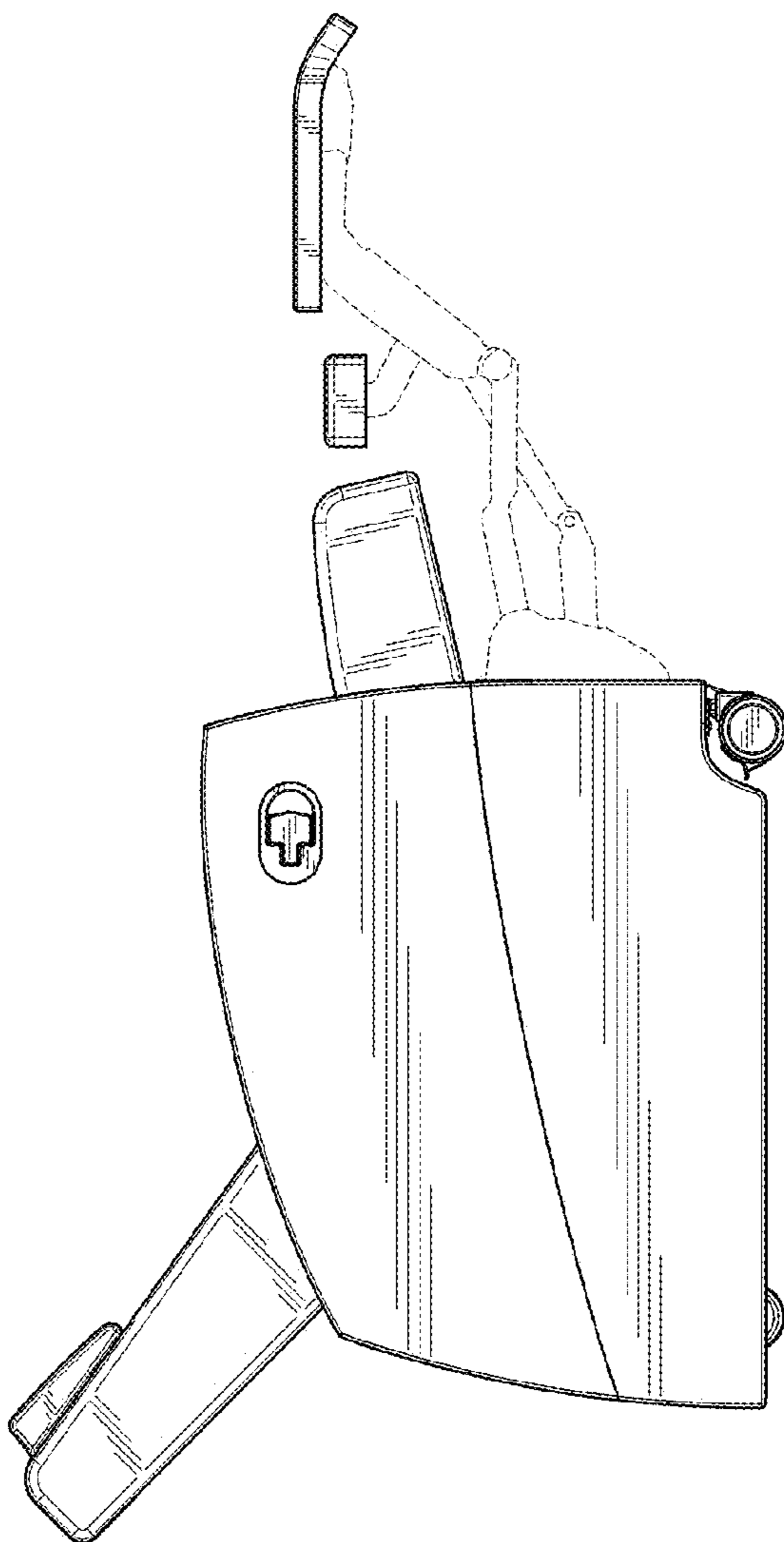


FIG. 68

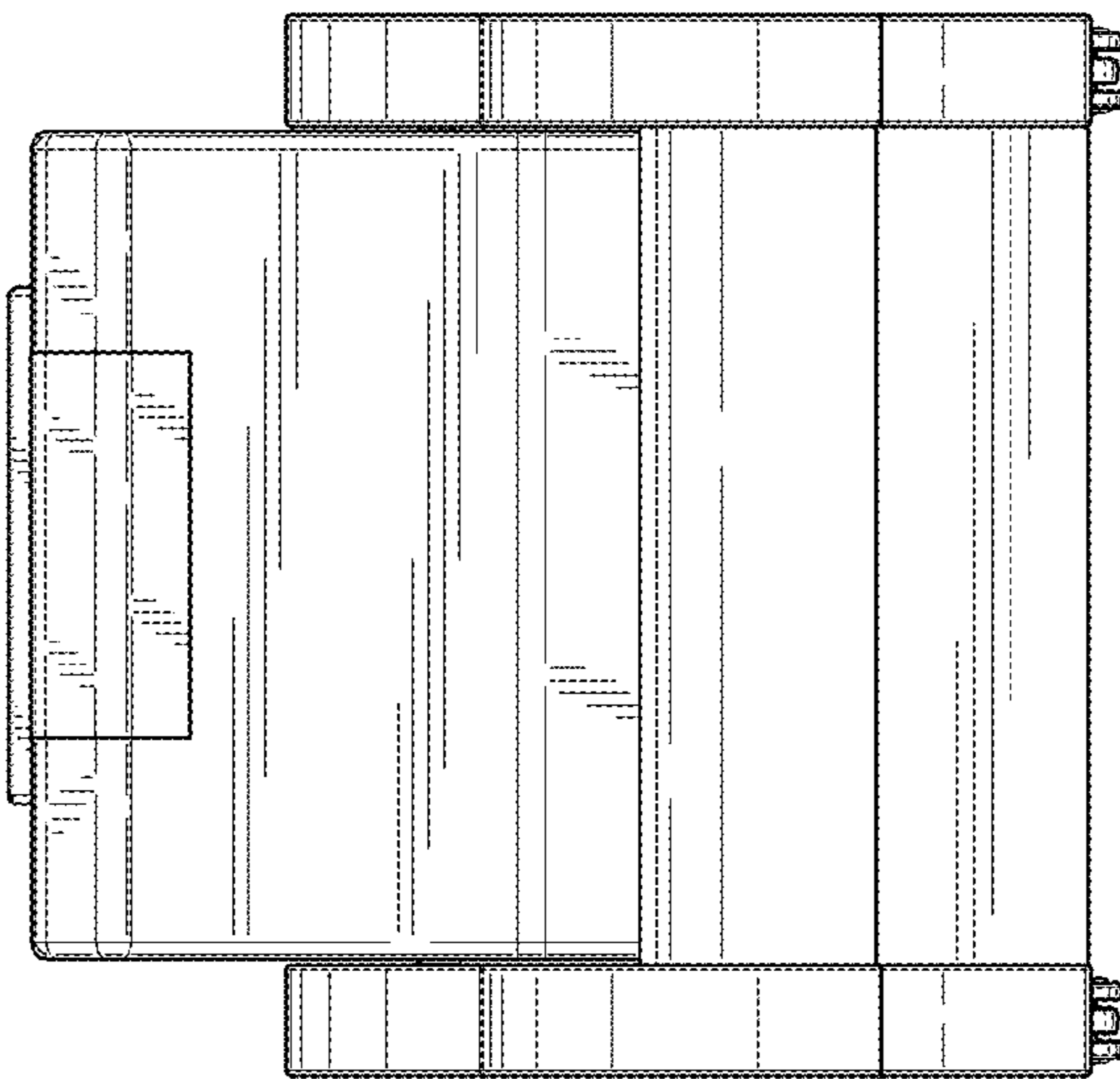


FIG. 71

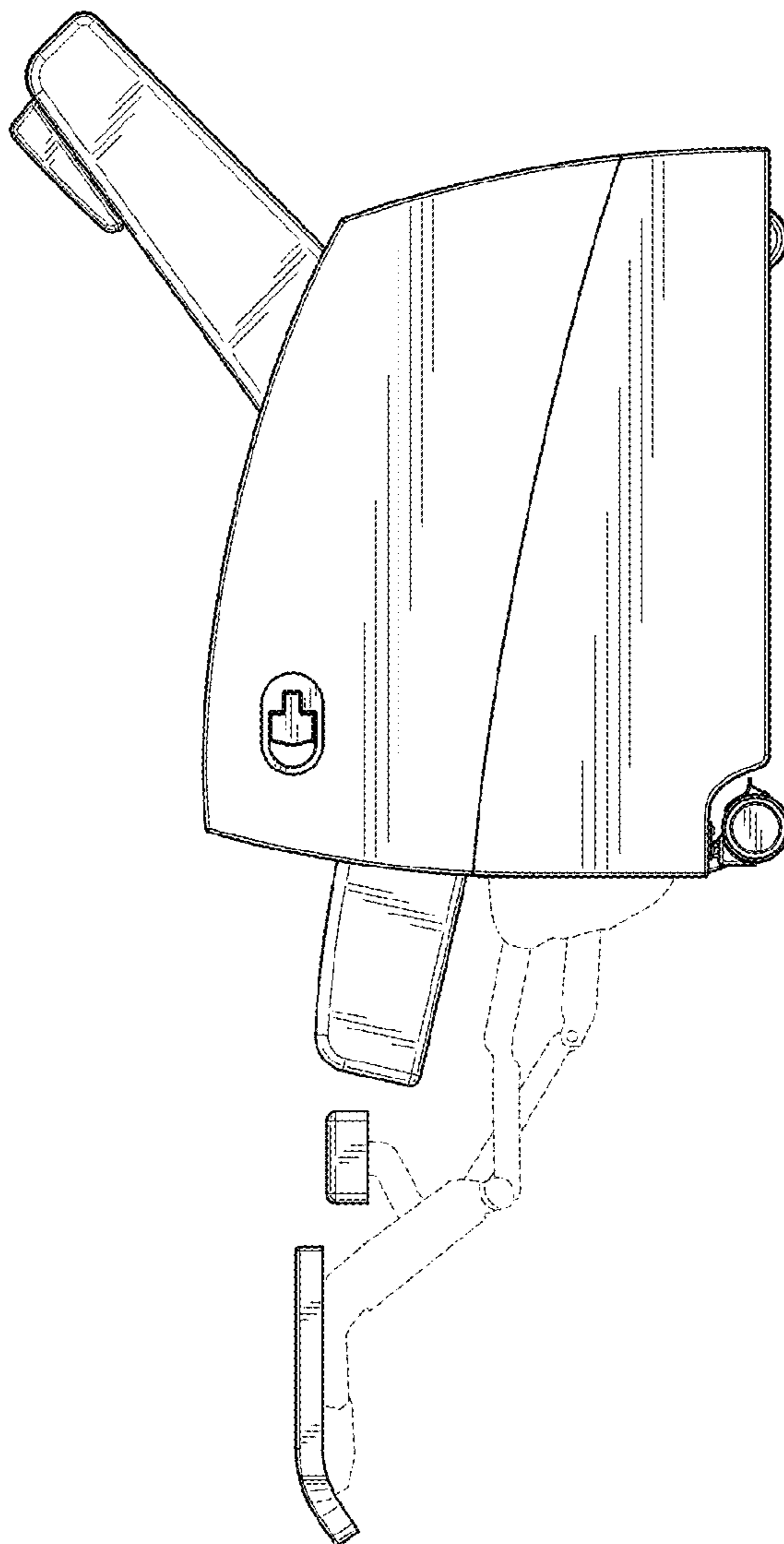


FIG. 70

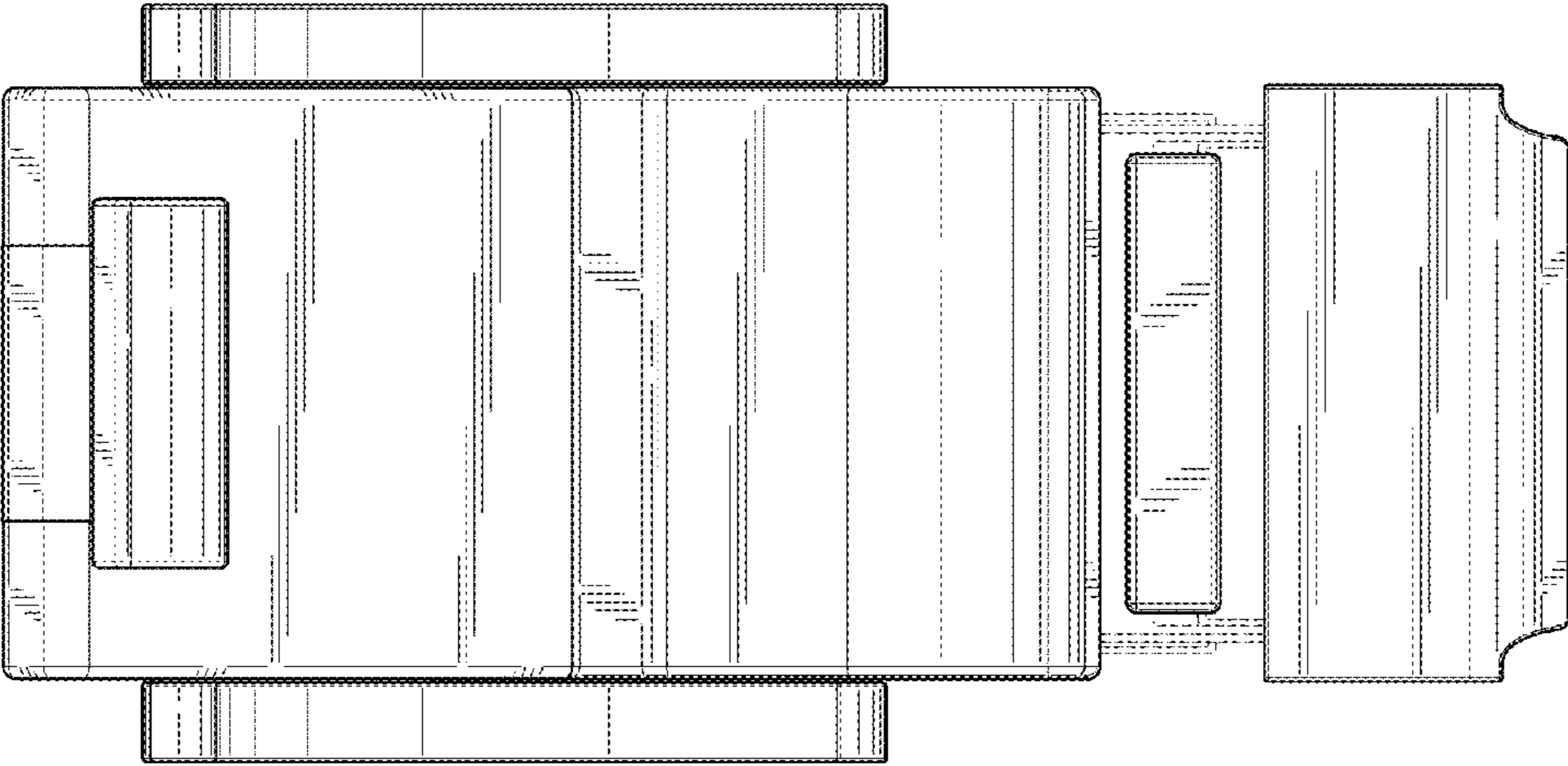


FIG. 72