



US00D741071S

(12) **United States Design Patent**  
**Fernandez et al.**

(10) **Patent No.:** **US D741,071 S**  
(45) **Date of Patent:** **\*\* Oct. 20, 2015**

(54) **CHAIR**

(71) Applicants: **Cesar Fernandez**, Cambridge (CA);  
**Gary Neil**, Mississauga (CA)

(72) Inventors: **Cesar Fernandez**, Cambridge (CA);  
**Gary Neil**, Mississauga (CA)

(73) Assignee: **Allseating Corporation**, Mississauga  
(CA)

(\*\*) Term: **14 Years**

(21) Appl. No.: **29/511,234**

(22) Filed: **Dec. 9, 2014**

(51) **LOC (10) Cl.** ..... **06-01**

(52) **U.S. Cl.**

USPC ..... **D6/335; D6/367**

(58) **Field of Classification Search**

USPC ..... 22/334–338, 349, 355, 361, 368–370,  
22/376, 379–381, 716, 716.1, 716.2, 340,  
22/354, 377, 709, 710, 716.4, 367;  
297/16.1, 42, 94, 135, 175, 232, 233,  
297/350, 351, 445.1, 448.1, 448.2, 451.9,  
297/452.1, DIG. 7; 5/12.1, 12.2

CPC ..... A47C 1/02; A47C 1/024; A47C 7/18;  
A47C 7/24; A47C 17/00; A47C 17/02;  
A47C 17/175

See application file for complete search history.

(56) **References Cited**

**U.S. PATENT DOCUMENTS**

D395,961 S	*	7/1998	Smith	.....	D6/360
D448,580 S	*	10/2001	Carlson	.....	D6/336
D462,533 S	*	9/2002	Popham et al.	.....	D6/334
D486,652 S	*	2/2004	Nemeth	.....	D6/334
D491,756 S	*	6/2004	Nemeth	.....	D6/716
D498,598 S	*	11/2004	Schweikarth et al.	.....	D6/334
D502,818 S	*	3/2005	Thompson	.....	D6/373
D506,323 S	*	6/2005	White, III	.....	D6/334
D550,972 S	*	9/2007	Caywood	.....	D6/334
D569,111 S	*	5/2008	Swanson	.....	D6/334

D572,916 S	*	7/2008	Galardo et al.	.....	D6/334
D580,664 S	*	11/2008	Cramer et al.	.....	D6/334
D702,051 S	*	4/2014	Rasenberg et al.	.....	D6/334

\* cited by examiner

*Primary Examiner* — Sandra Snapp

(57) **CLAIM**

The ornamental design for the chair, as shown and described.

**DESCRIPTION**

FIG. 1 is perspective view of the chair;  
 FIG. 2 is a right side view of the chair;  
 FIG. 3 is a front elevation view of the chair;  
 FIG. 4 is a left side view of the chair;  
 FIG. 5 is a back side view of the chair;  
 FIG. 6 is a top side view of the chair;  
 FIG. 7 is a perspective partially extended position view of the chair;  
 FIG. 8 is a right partially extended position view of the chair;  
 FIG. 9 is a front partially extended position view of the chair;  
 FIG. 10 is a left partially extended position view of the chair;  
 FIG. 11 is a back partially extended position view of the chair;  
 FIG. 12 is a top partially extended position view of the chair;  
 FIG. 13 is a perspective fully extended position view of the chair;  
 FIG. 14 is a right fully extended position view of the chair;  
 FIG. 15 is a front fully extended position view of the chair;  
 FIG. 16 is a left fully extended position view of the chair;  
 FIG. 17 is a back fully extended position view of the chair;  
 FIG. 18 is a top fully extended position view of the chair;  
 In accordance with a second embodiment of the present design:  
 FIG. 19 is a perspective view of the chair;  
 FIG. 20 is a right side view of the chair;  
 FIG. 21 is a front elevation view of the chair;  
 FIG. 22 is a left side view of the chair;  
 FIG. 23 is a back side view of the chair;  
 FIG. 24 is a top side view of the chair;  
 FIG. 25 is a perspective partially extended position view of the chair;  
 FIG. 26 is a right partially extended position view of the chair;  
 FIG. 27 is a front partially extended position view of the chair;

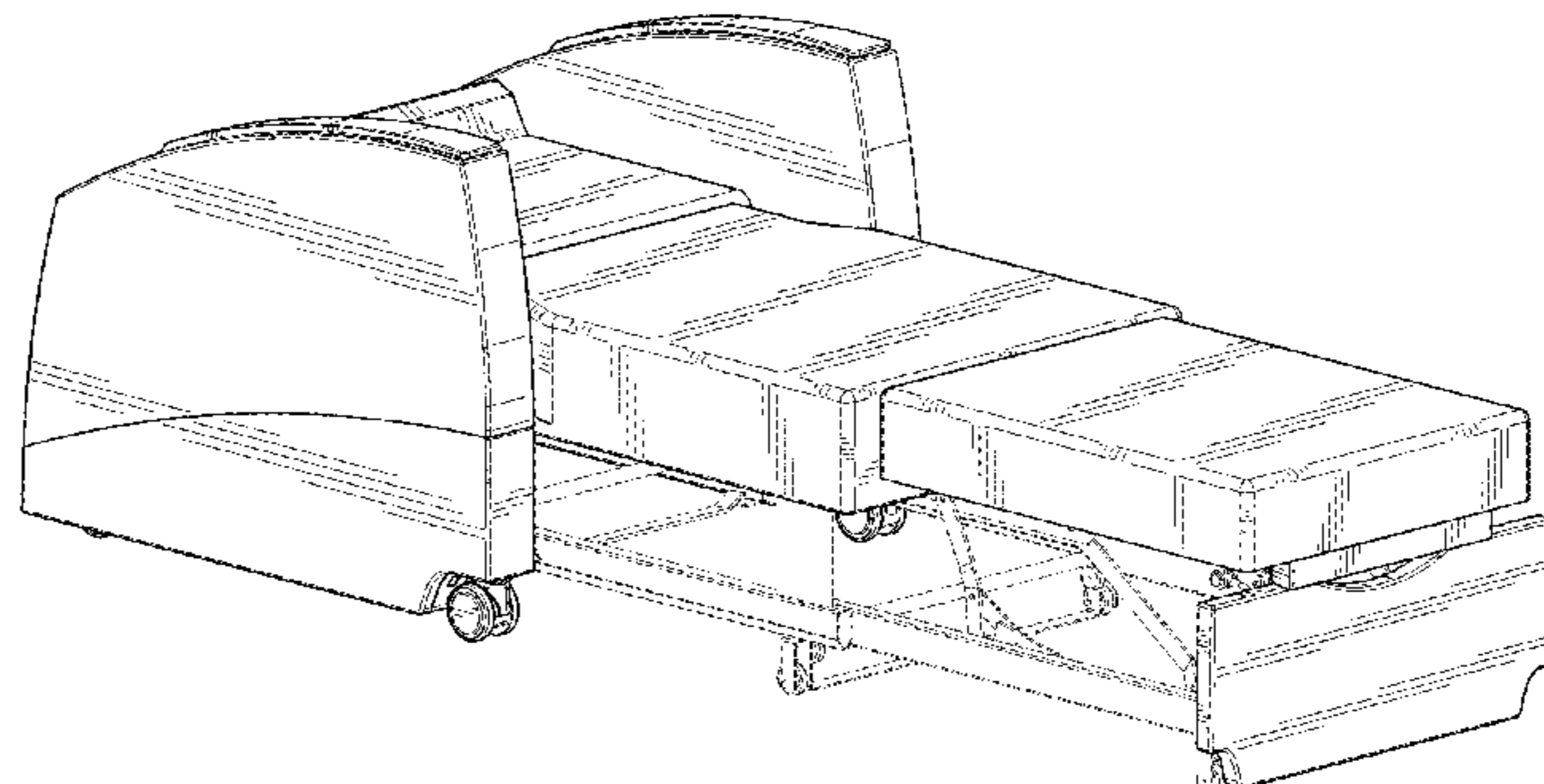
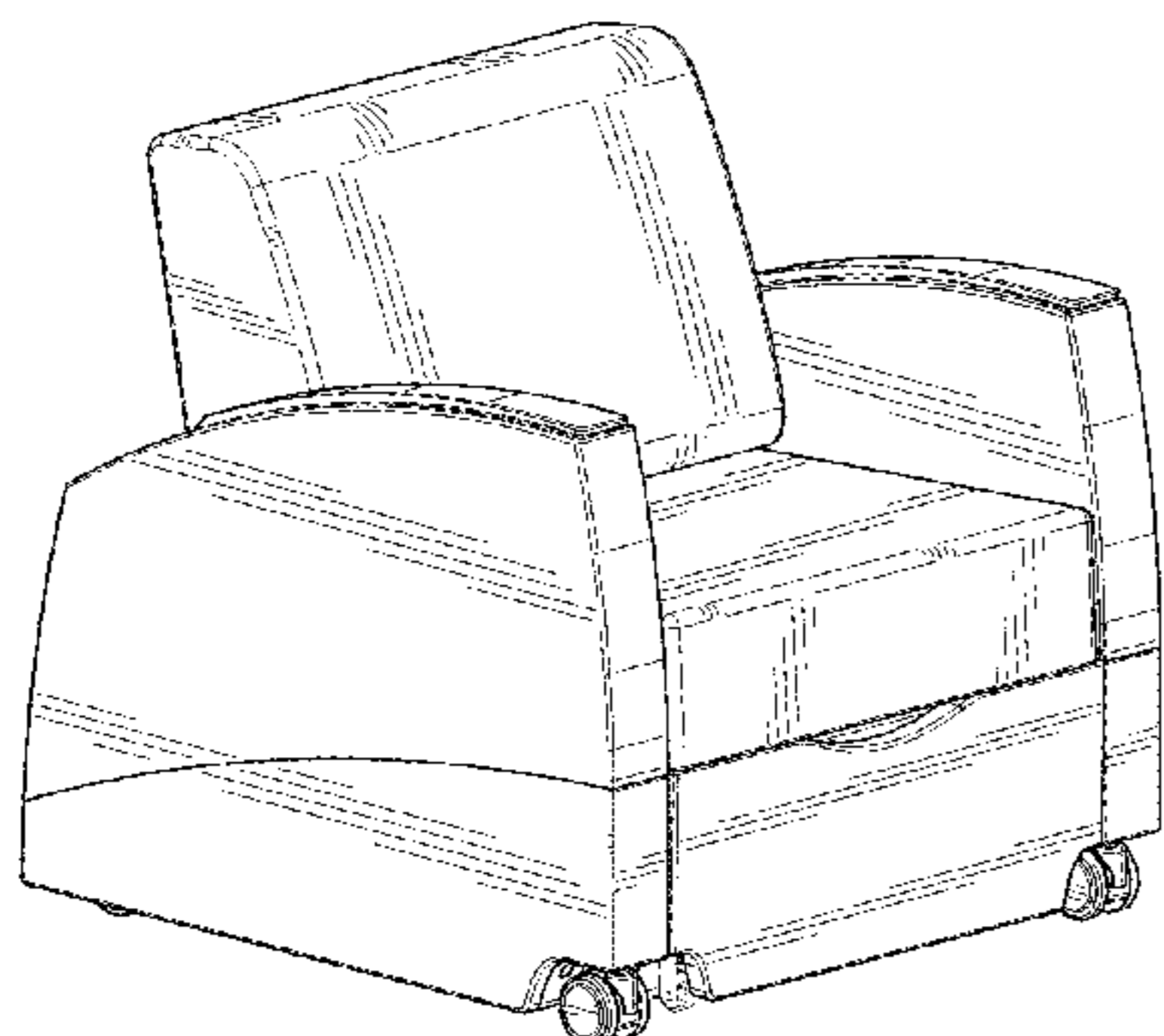


FIG. 28 is a left partially extended position view of the chair;  
FIG. 29 is a back partially extended position view of the chair;  
FIG. 30 is a top partially extended position view of the chair;  
FIG. 31 is a perspective fully extended position view of the chair;

FIG. 32 is a right fully extended position view the chair;  
FIG. 33 is a front fully extended position view of the chair;  
FIG. 34 is a left fully extended position view of the chair;  
FIG. 35 is a back fully extended position view of the chair;  
FIG. 36 is a top fully extended position view of the chair;

In accordance with a third embodiment of the present design:

FIG. 37 is a perspective view of the chair;  
FIG. 38 is a right side view of the chair;  
FIG. 39 is a front elevation view of the chair;  
FIG. 40 is a left side view of the chair;  
FIG. 41 is a back side view of the chair;  
FIG. 42 is a top side view of the chair;  
FIG. 43 is a perspective partially extended position view of the chair;

FIG. 44 is a right partially extended position view of the chair;  
FIG. 45 is a front partially extended position view of the chair;  
FIG. 46 is a left partially extended position view of the chair;  
FIG. 47 is a back partially extended position view of the chair;  
FIG. 48 is a top partially extended position view of the chair;  
FIG. 49 is a perspective fully extended position view of the chair;

FIG. 50 is a right fully extended position view of the chair;  
FIG. 51 is a front fully extended position view of the chair;

FIG. 52 is a left fully extended position view of the chair;  
FIG. 53 is a back fully extended position view of the chair;  
FIG. 54 is a top fully extended position view of the chair;  
In accordance with a fourth embodiment of the present design:

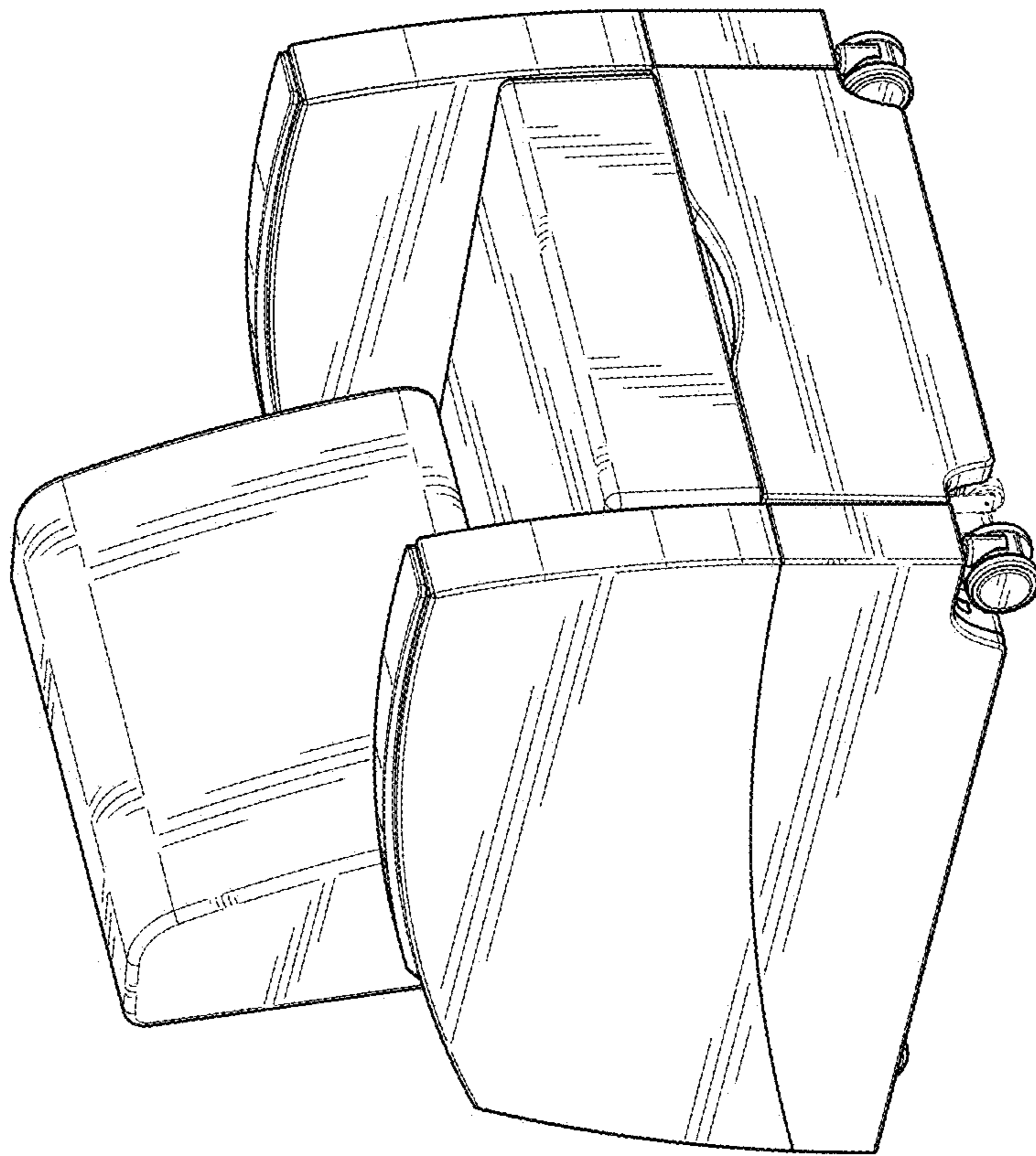
FIG. 55 is a perspective view of the chair;  
FIG. 56 is a right side view of the chair;  
FIG. 57 is a front elevation view of the chair;  
FIG. 58 is a left side view of the chair;  
FIG. 59 is a back side view of the chair;  
FIG. 60 is a top side view of the chair;  
FIG. 61 is a perspective partially extended position view of the chair;

FIG. 62 is a right partially extended position view of the chair;  
FIG. 63 is a front partially extended position view of the chair;  
FIG. 64 is a left partially extended position view of the chair;  
FIG. 65 is a back partially extended position view of the chair;  
FIG. 66 is a top partially extended position view of the chair;  
FIG. 67 is a perspective fully extended position view of the chair;

FIG. 68 is a right fully extended position view of the chair;  
FIG. 69 is a front fully extended position view of the chair;  
FIG. 70 is a left fully extended position view of the chair;  
FIG. 71 is a back fully extended position view of the chair;  
and,

FIG. 72 is a top fully extended position view of the chair.

**1 Claim, 48 Drawing Sheets**



**FIG. 1**



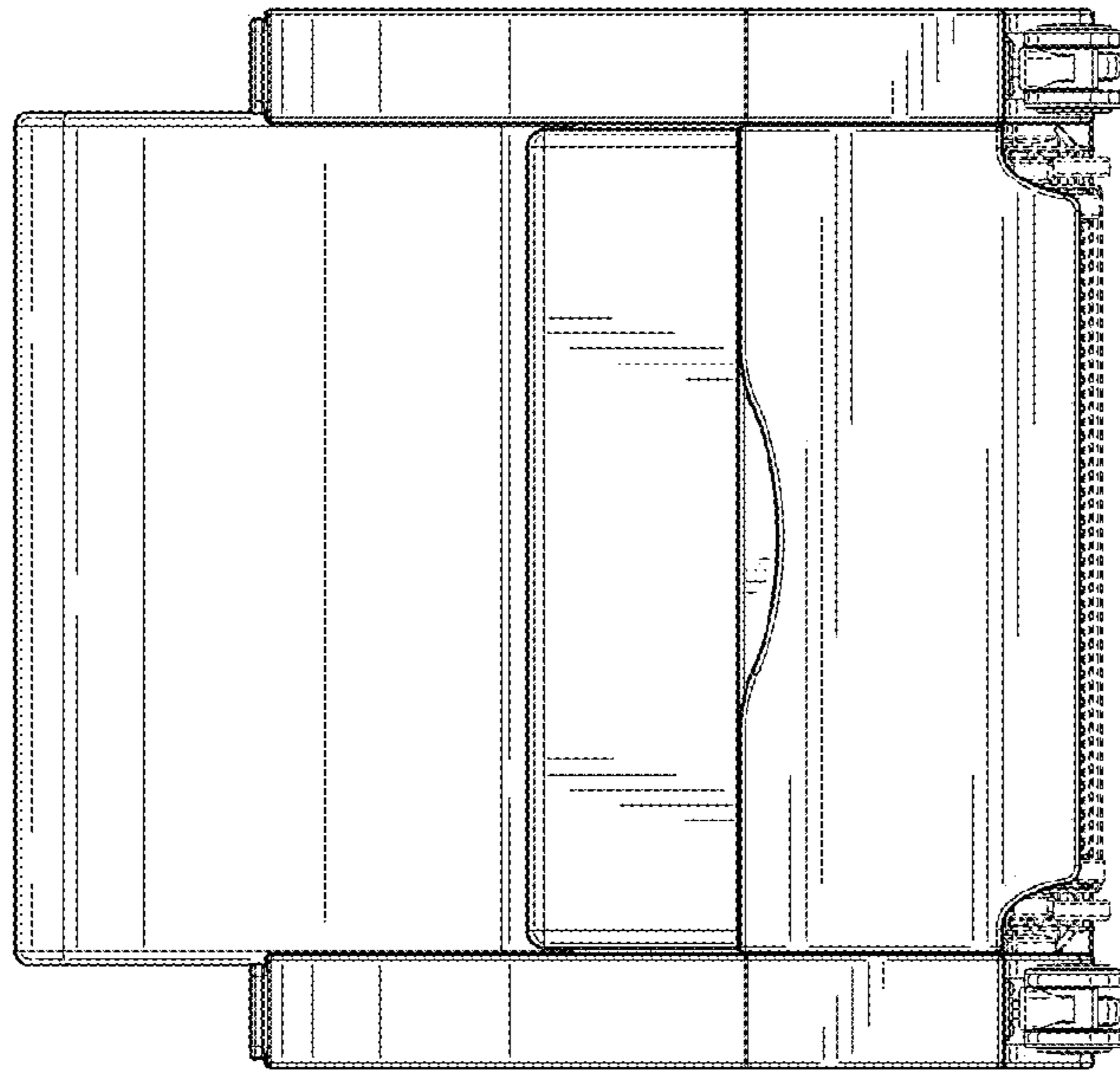


FIG. 3

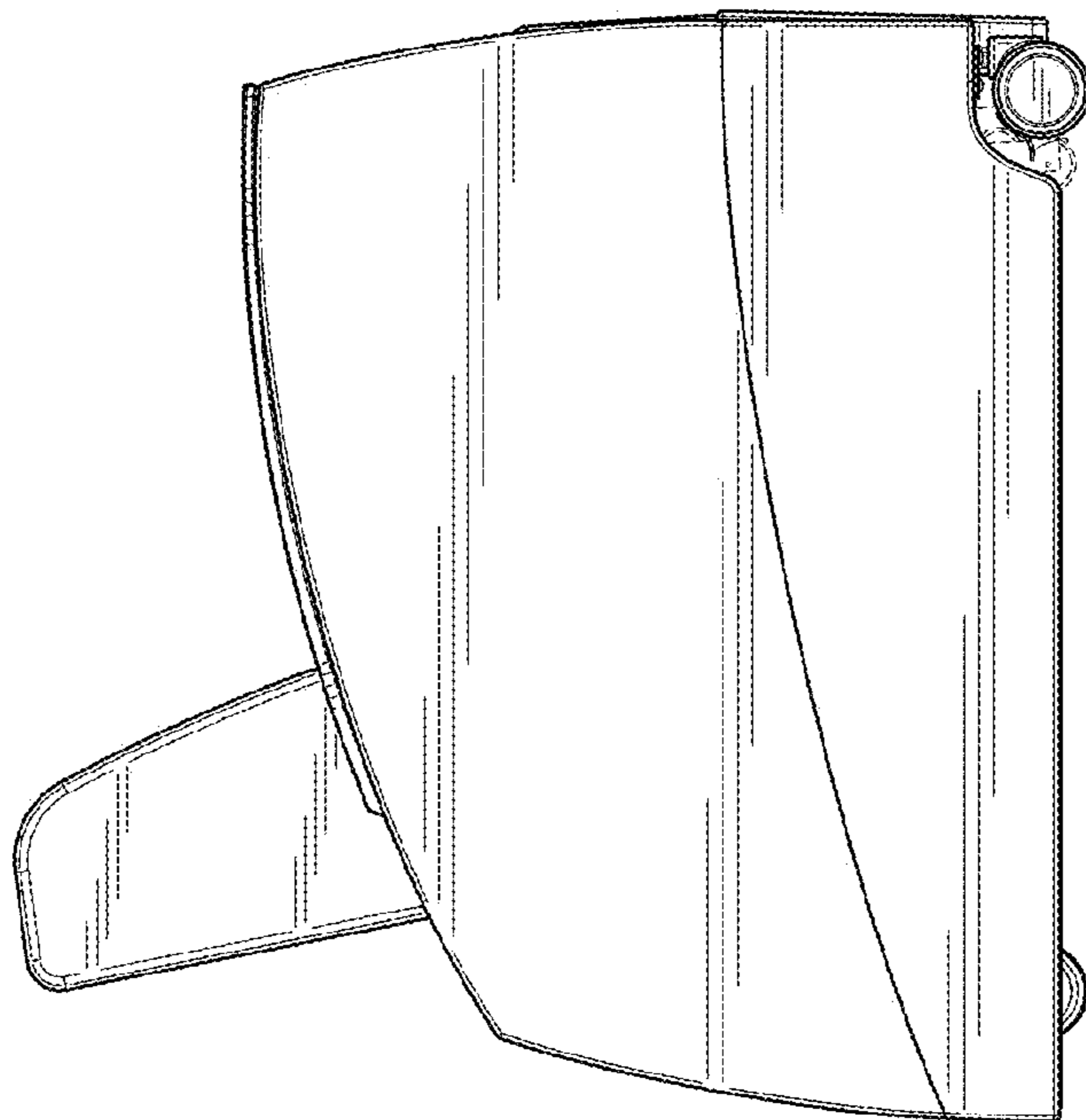


FIG. 2

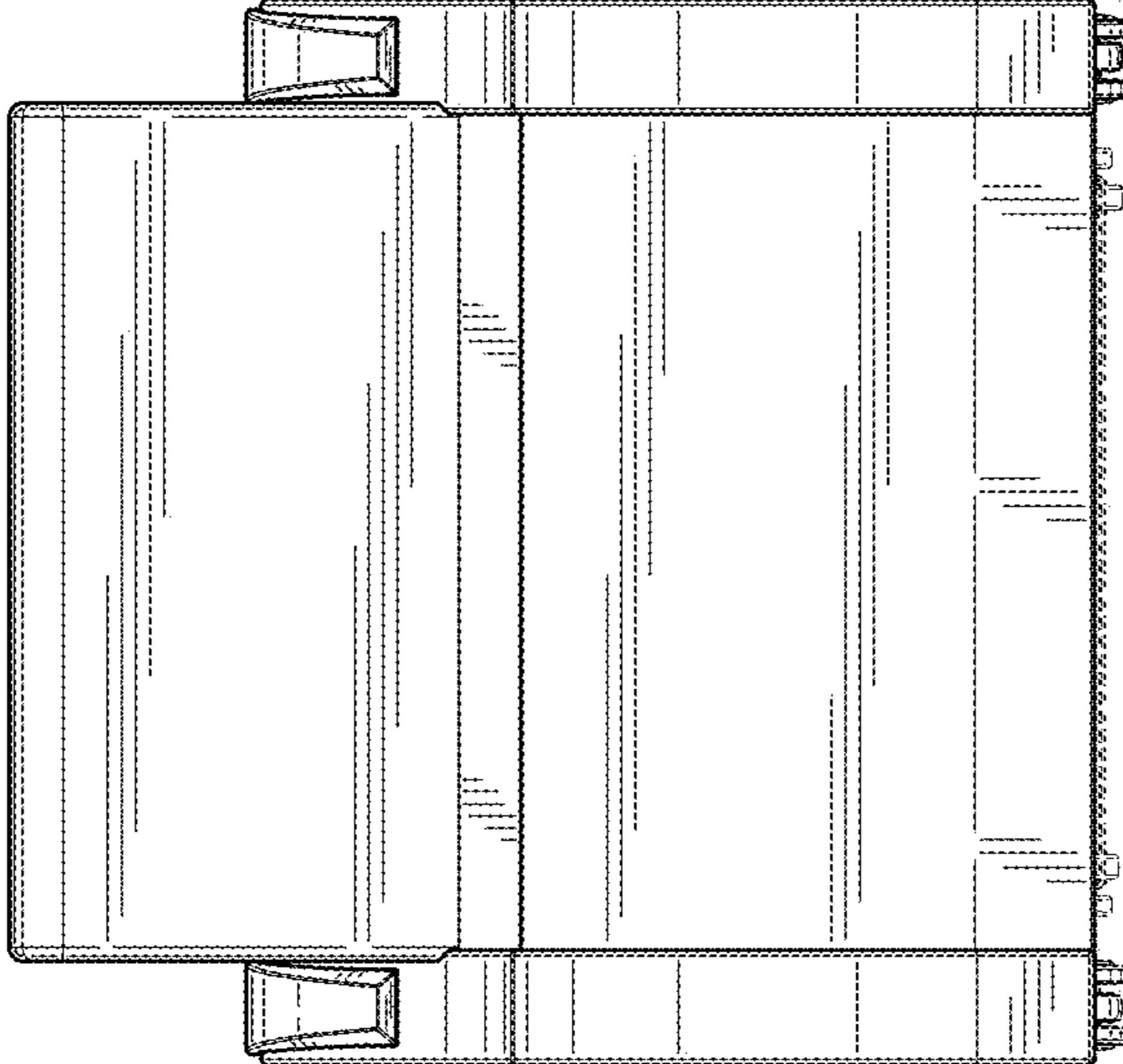


FIG. 5

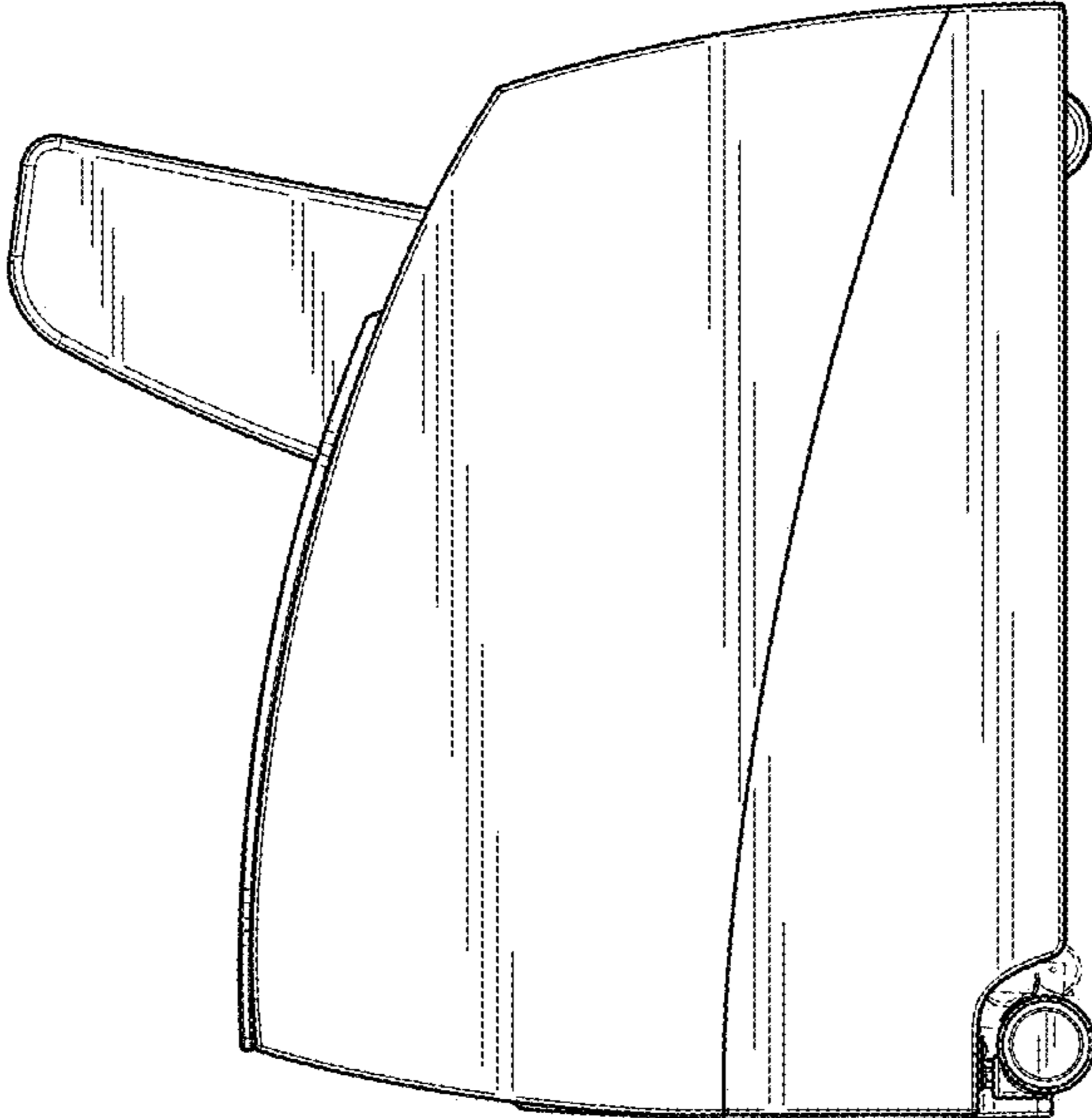
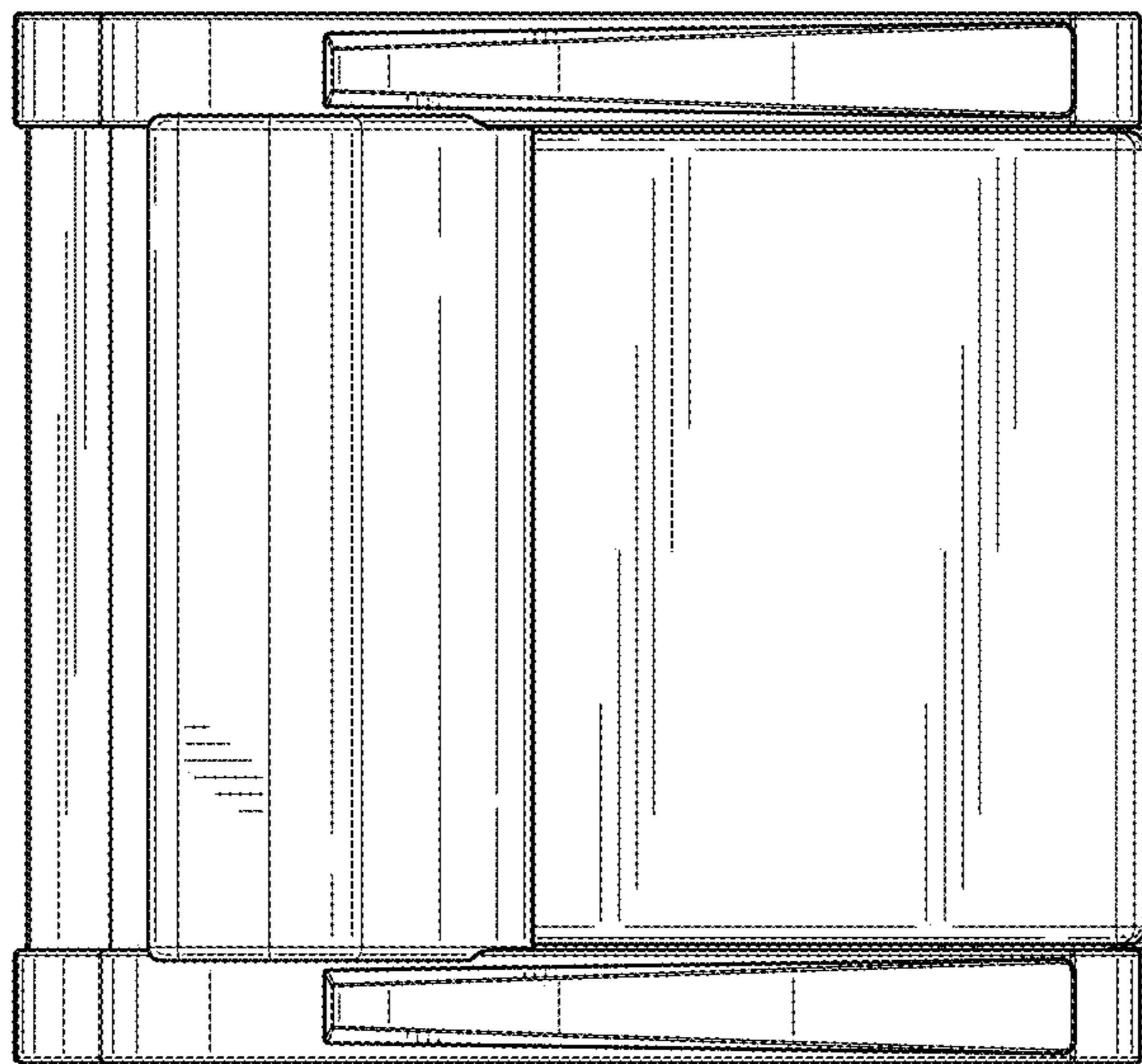
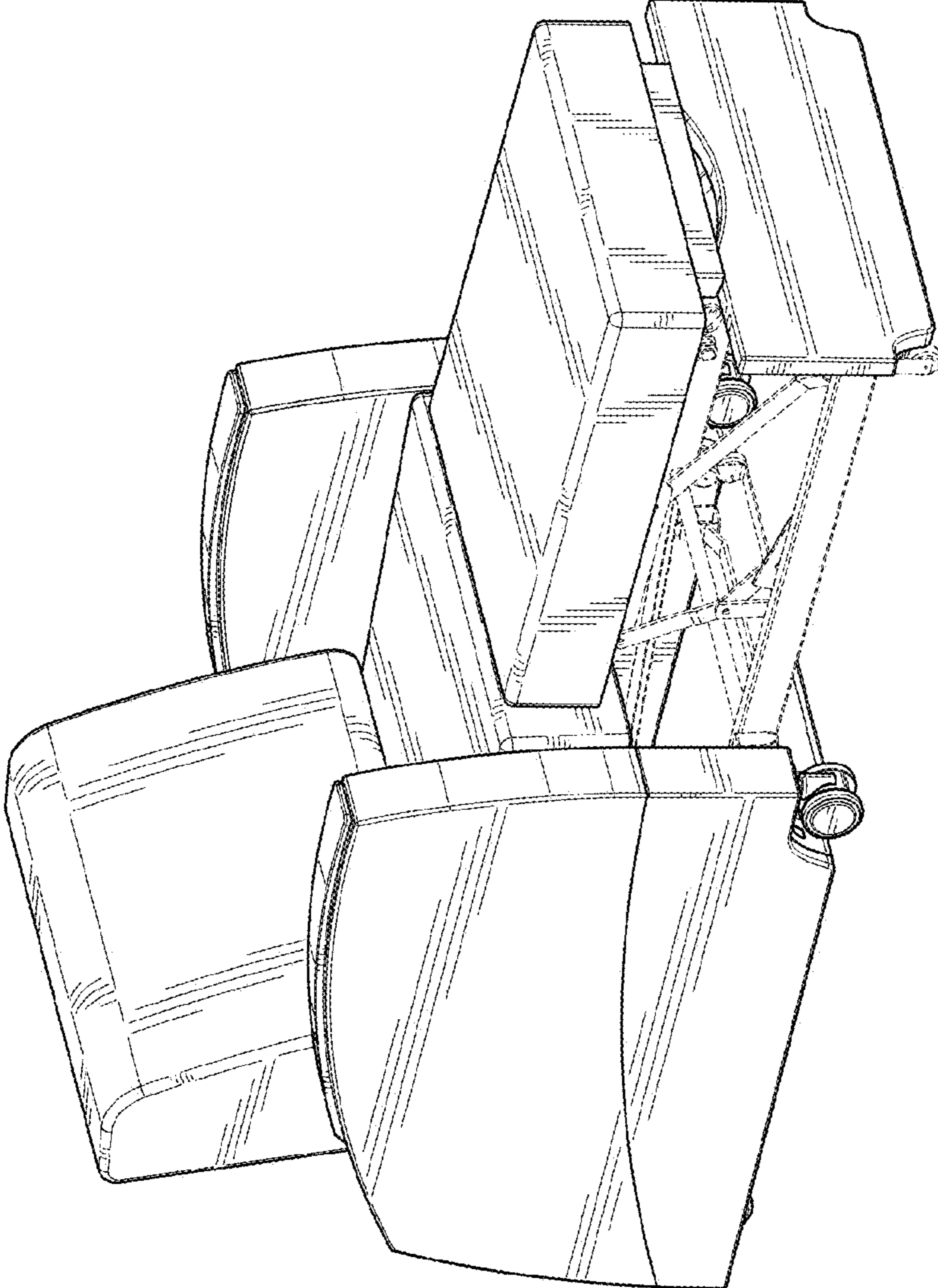


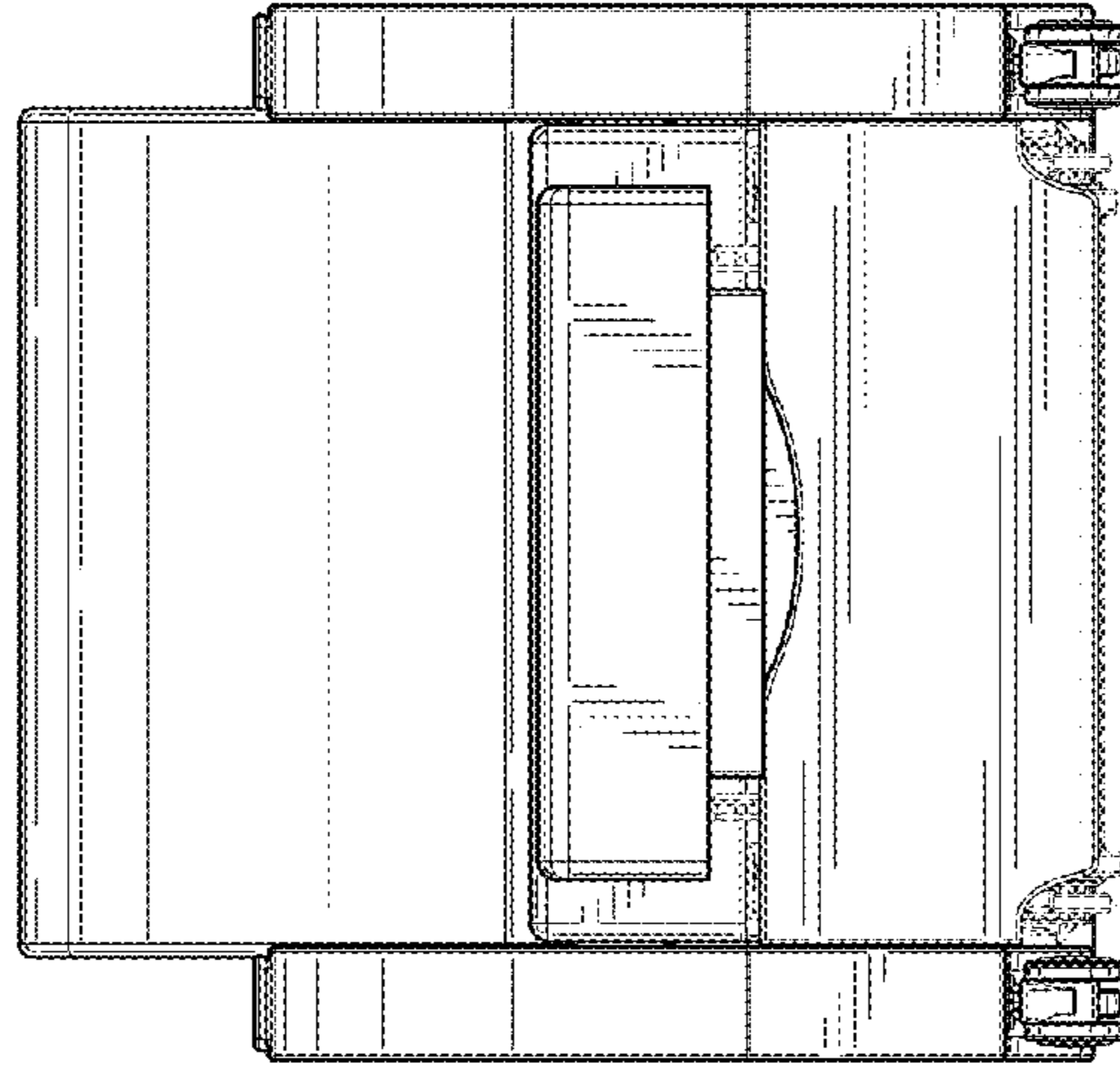
FIG. 4



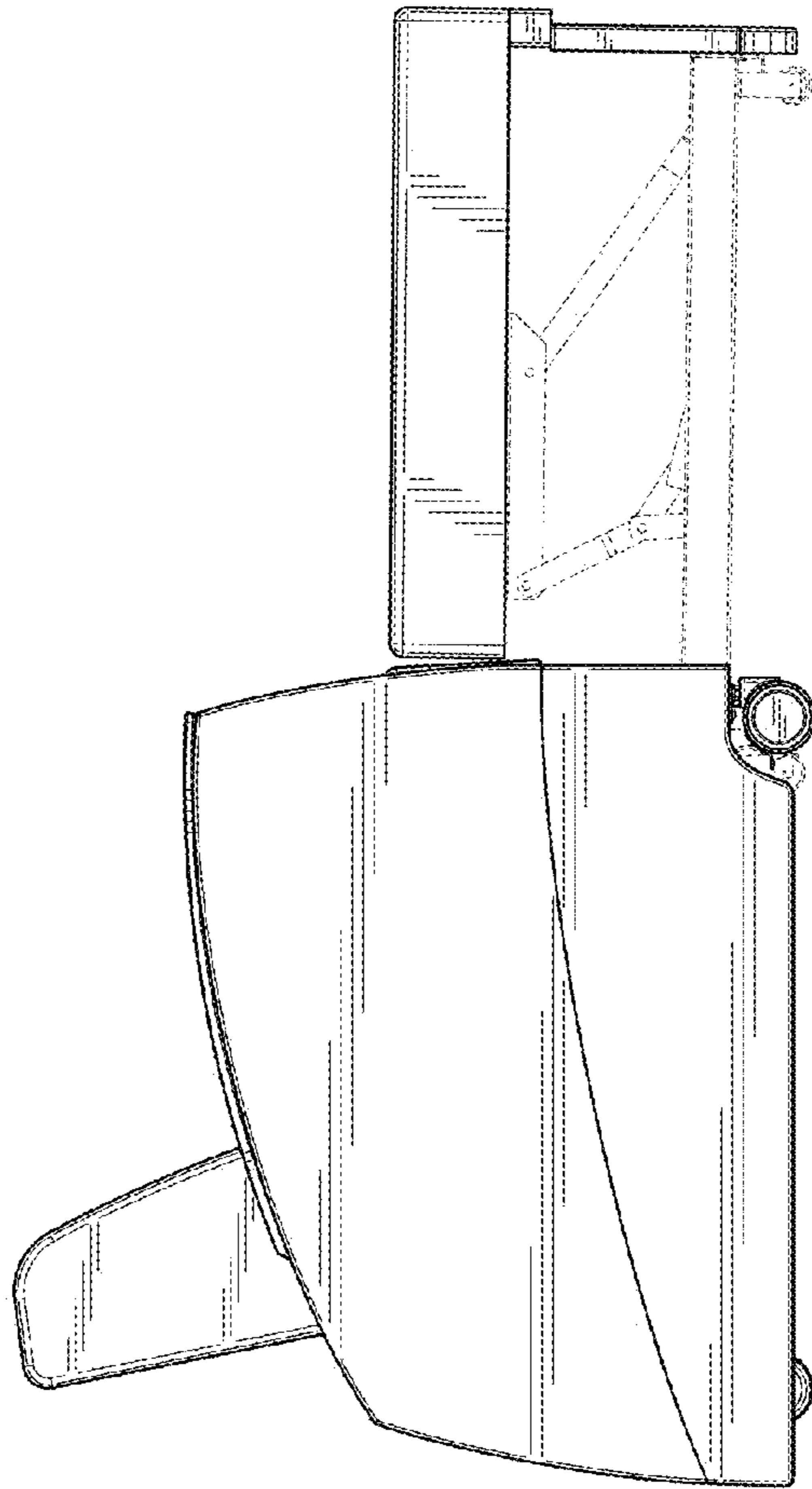
**FIG. 6**



**FIG. 7**

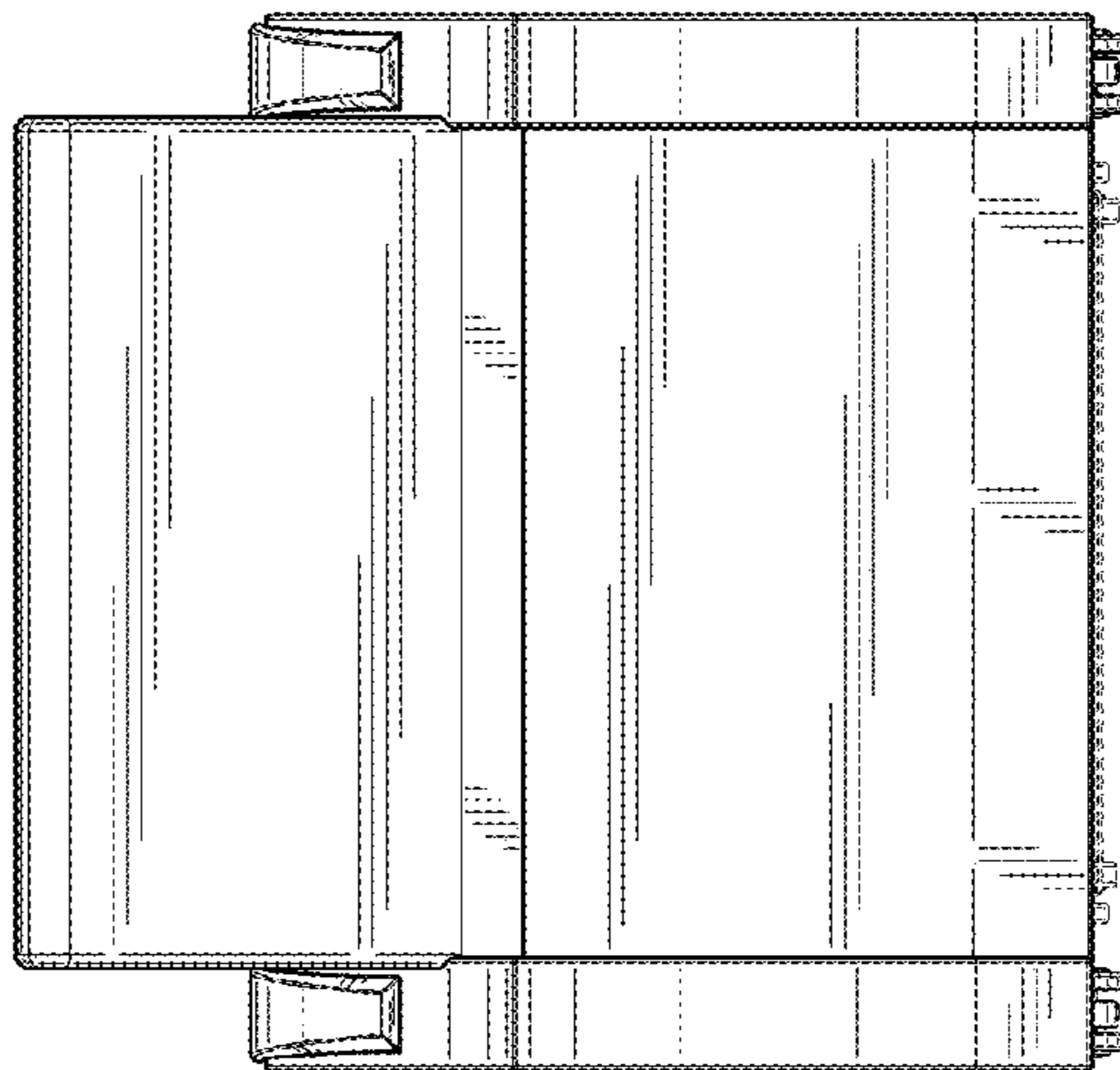


**FIG. 9**

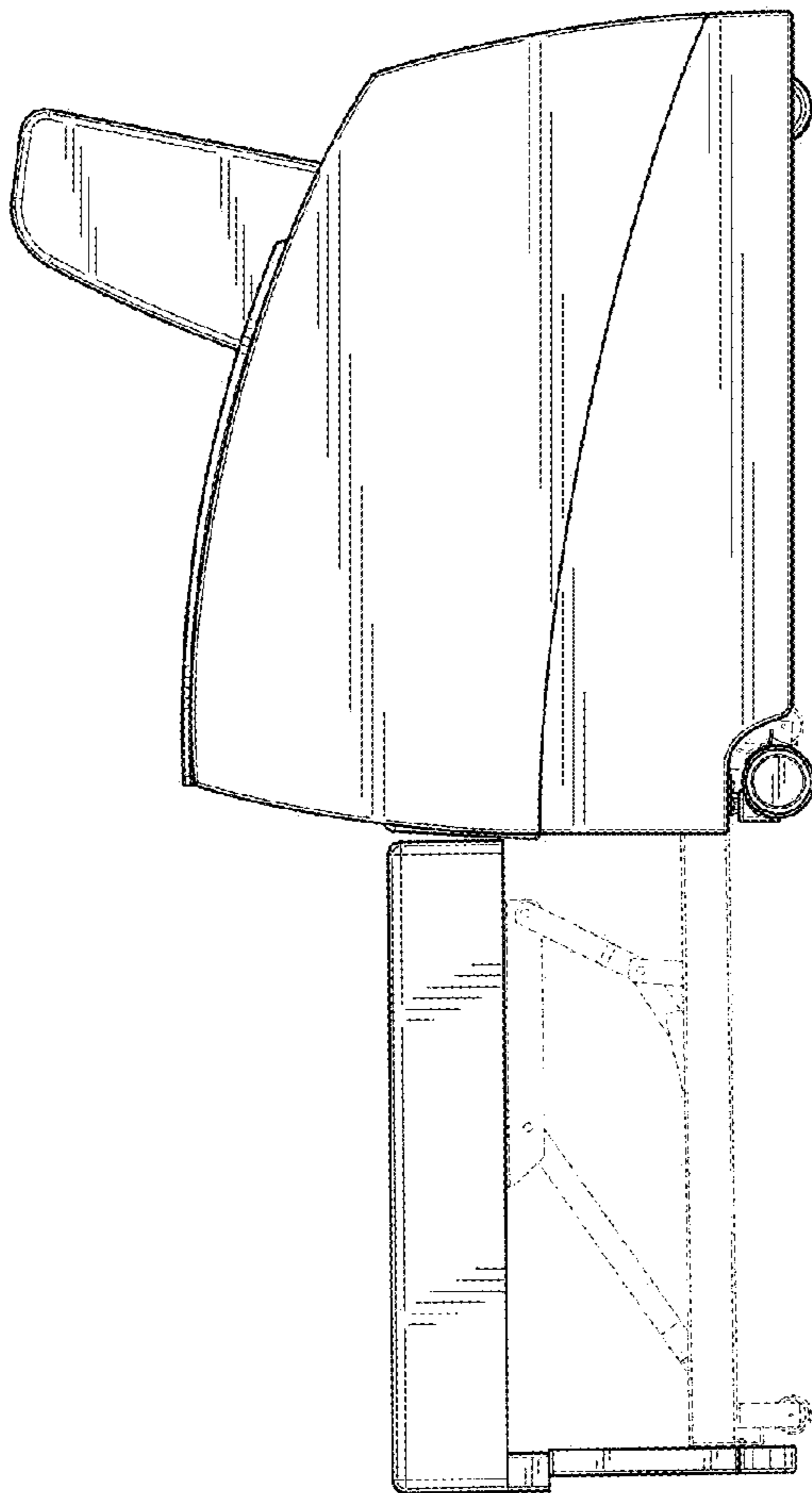


**FIG. 8**

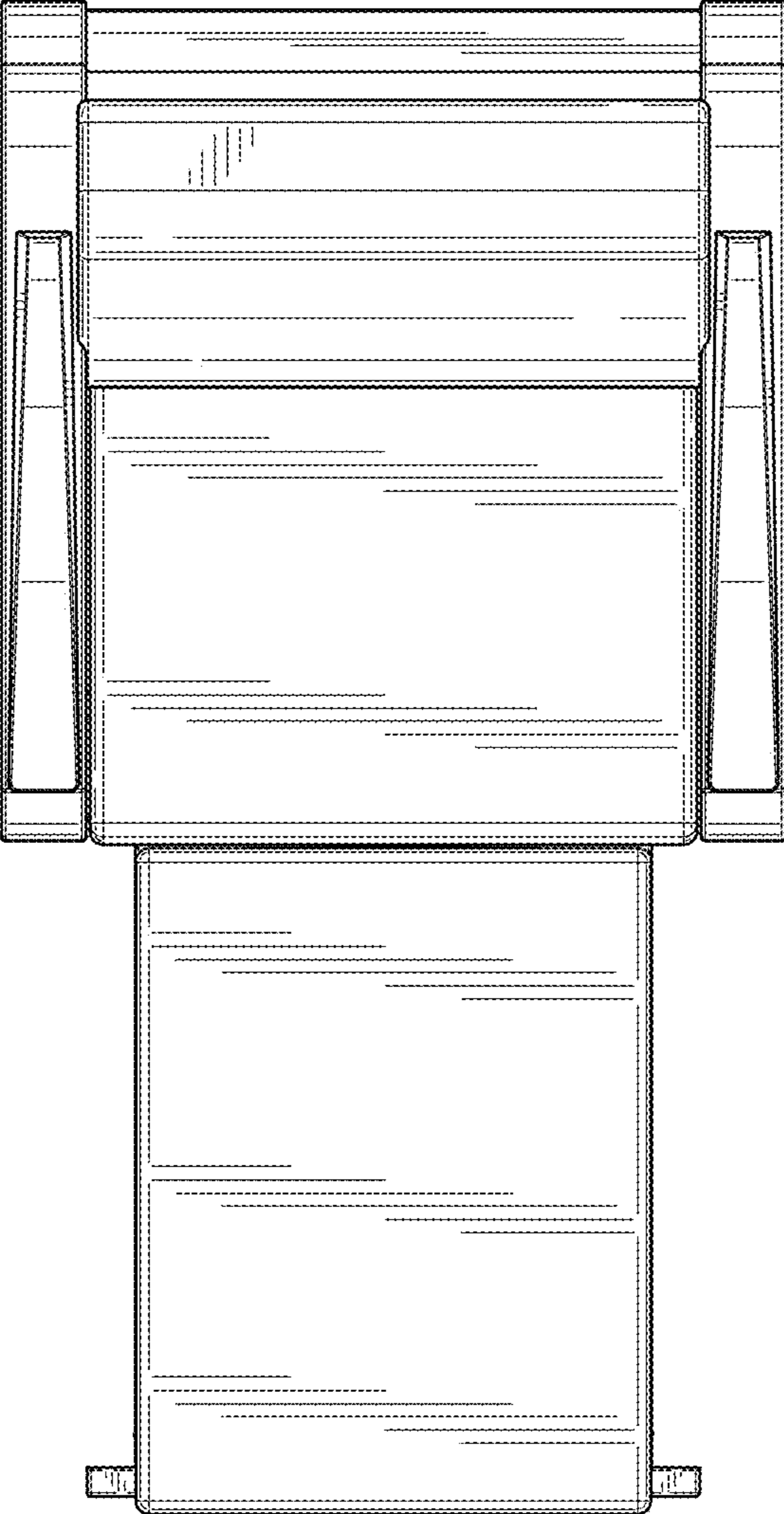




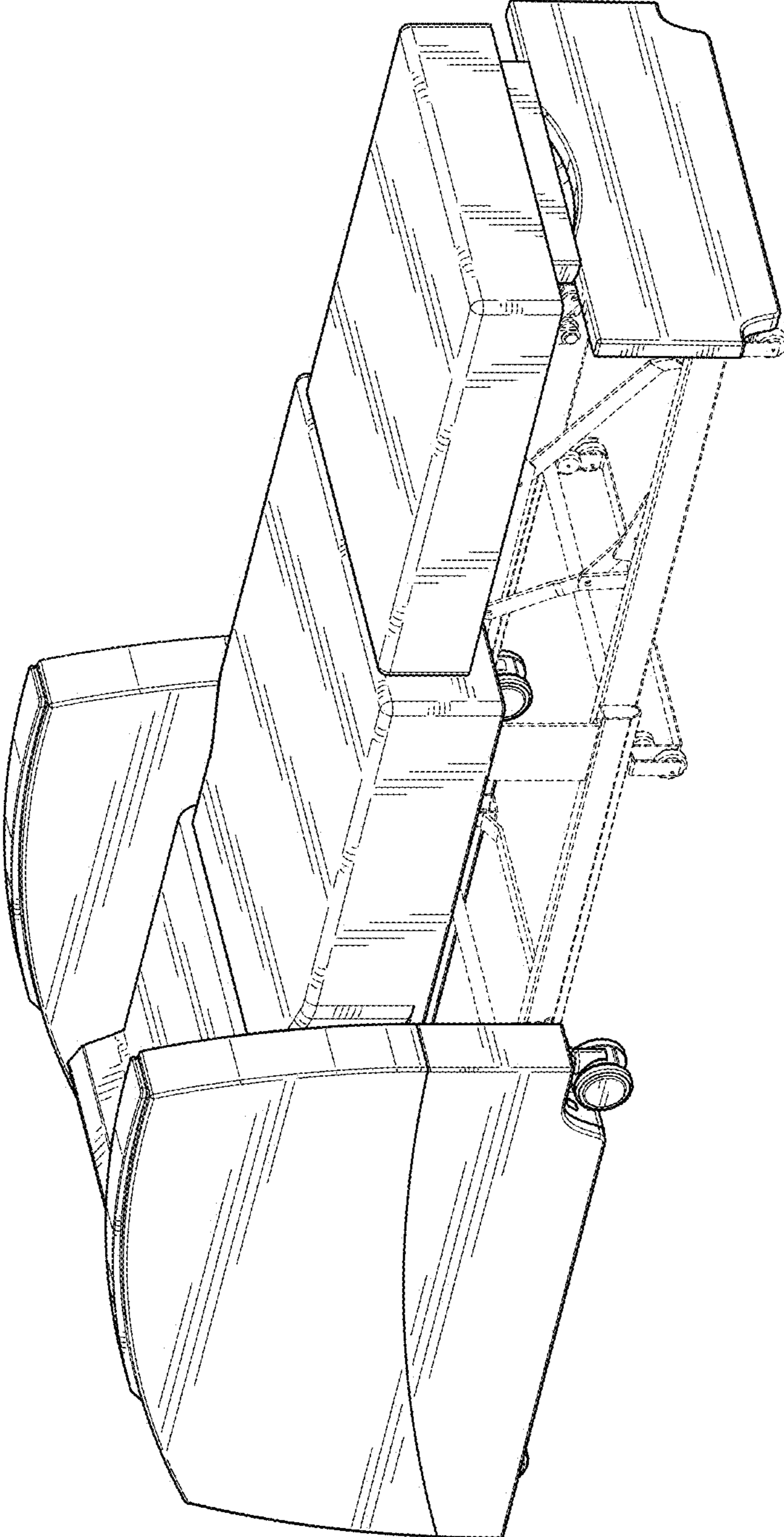
**FIG. 11**



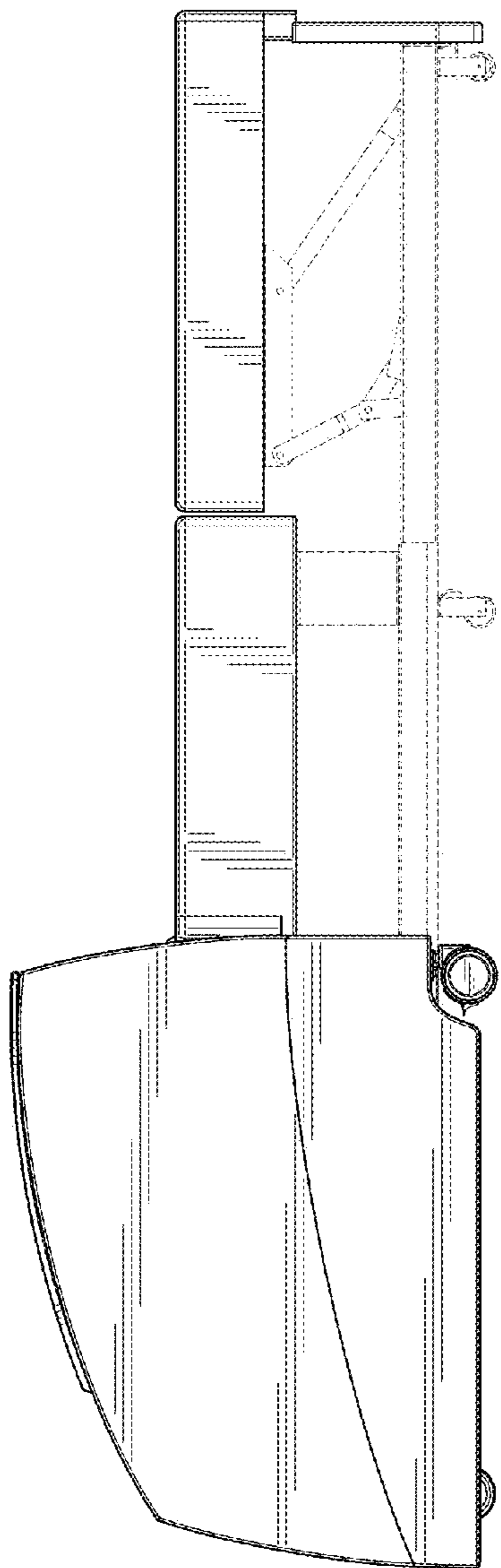
**FIG. 10**



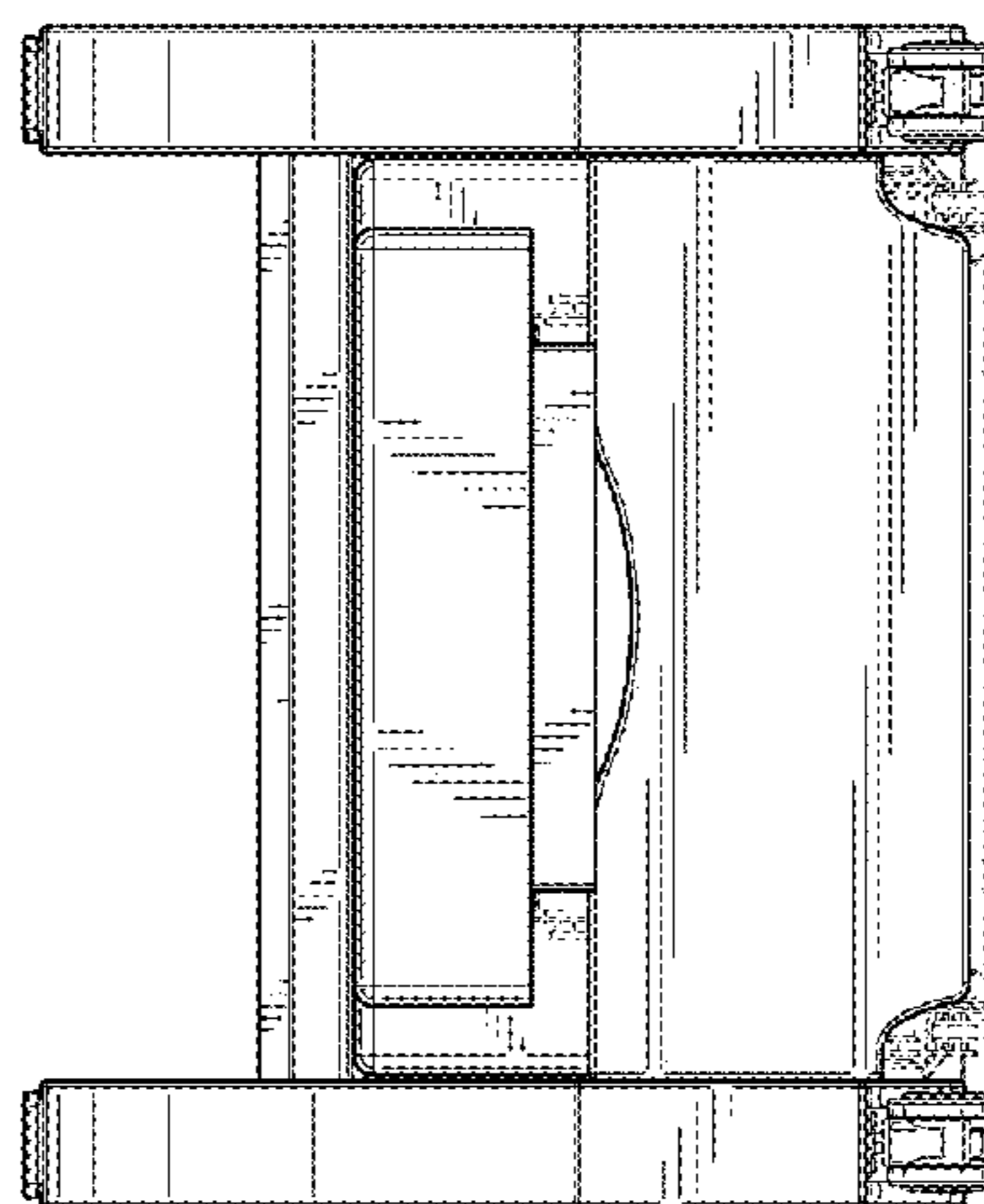
**FIG. 12**



**FIG. 13**

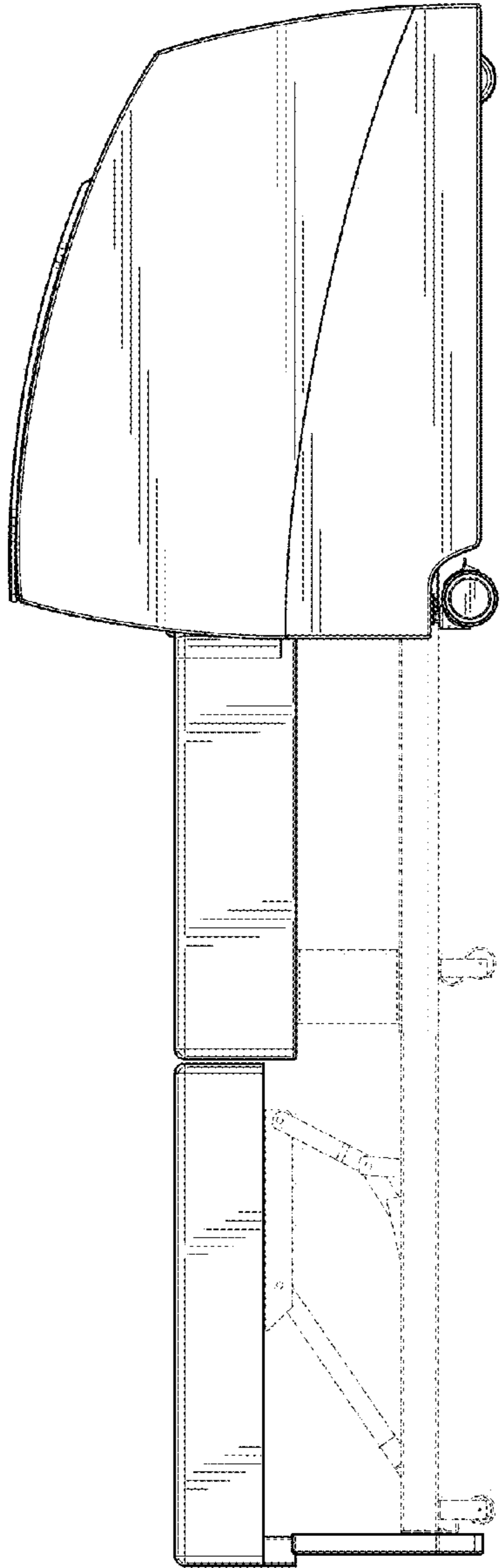


**FIG. 14**

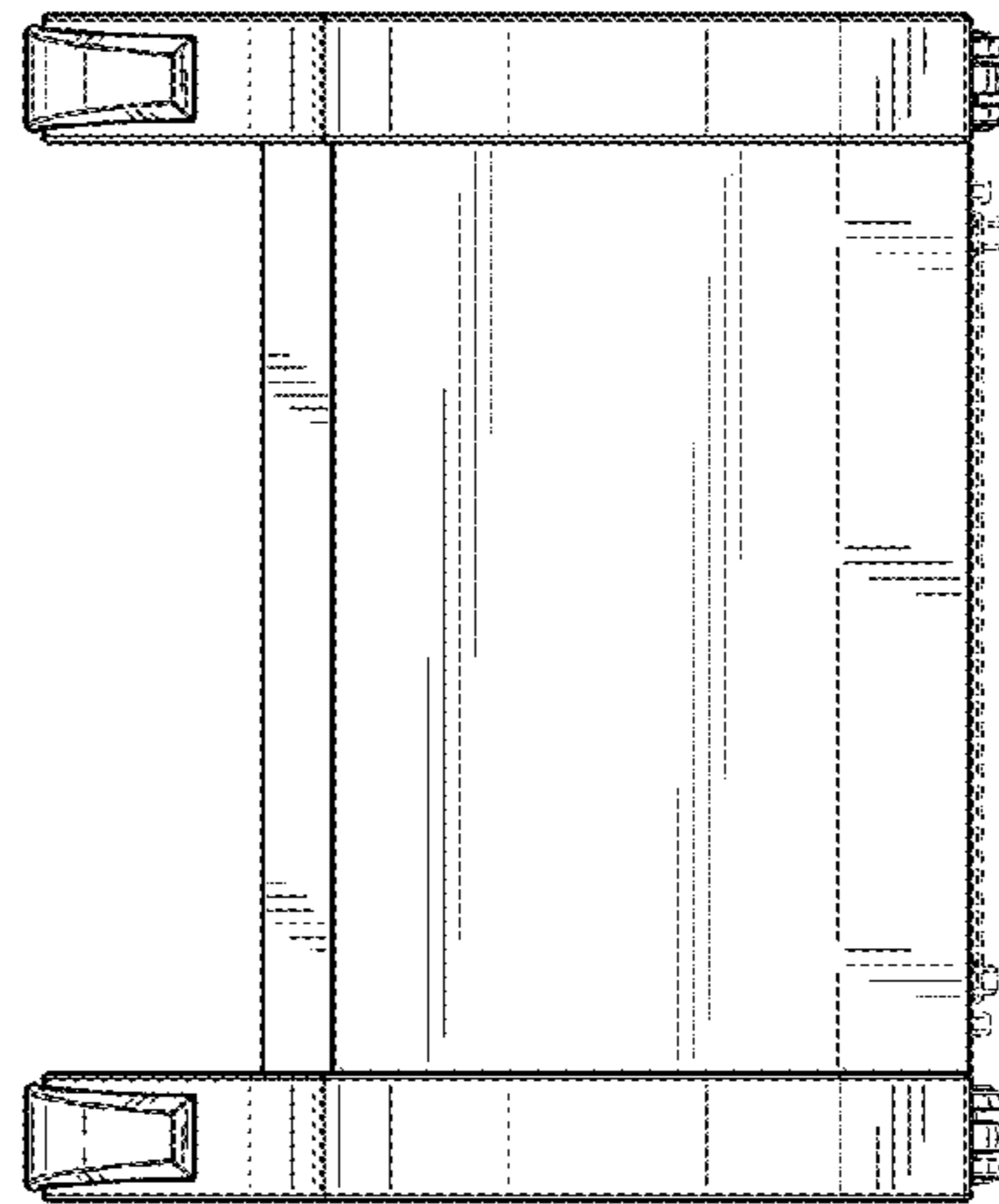


**FIG. 15**

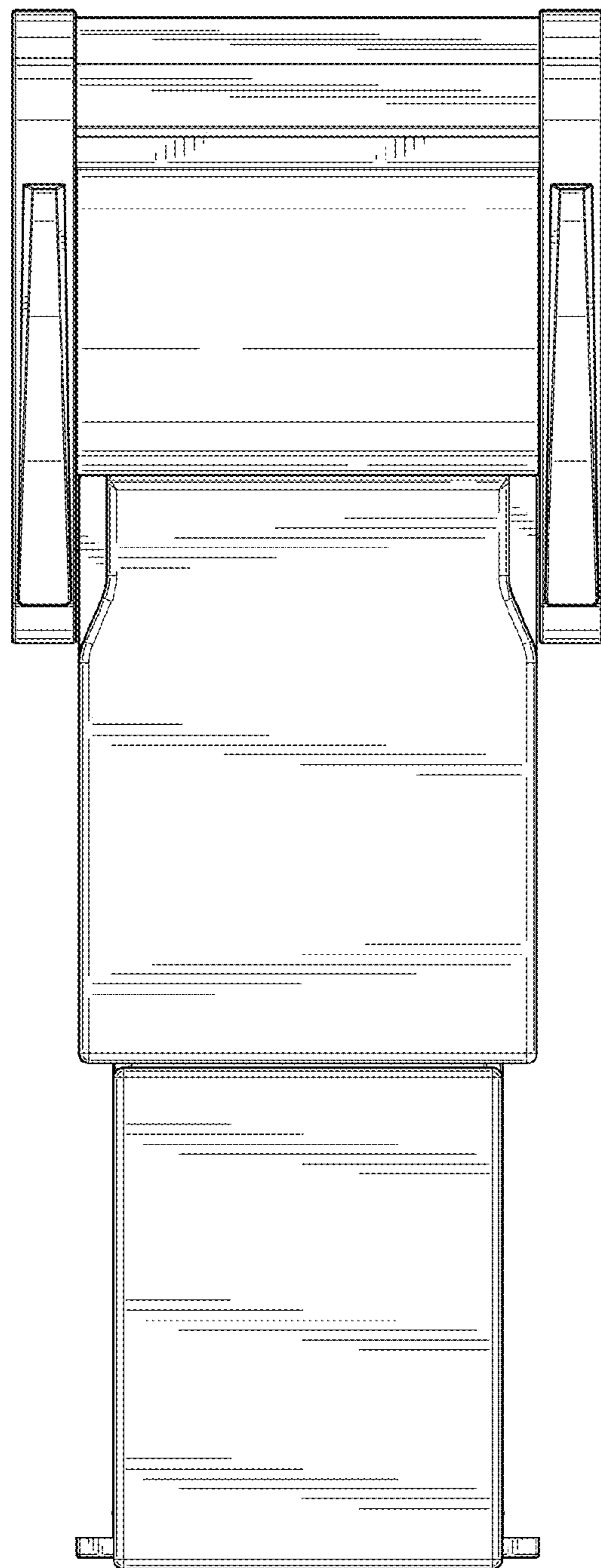




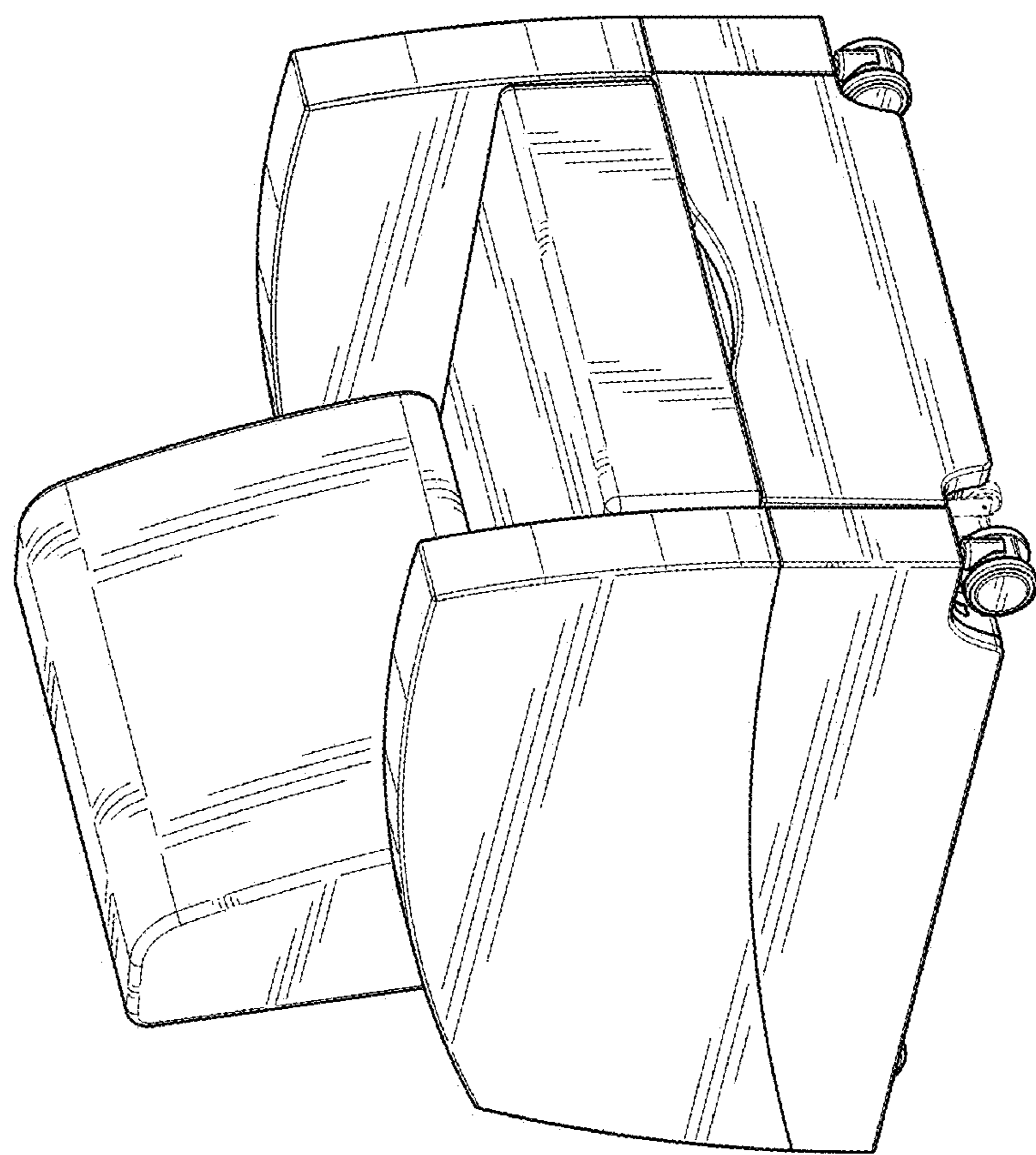
**FIG. 16**



**FIG. 17**



**FIG. 18**



**FIG. 19**

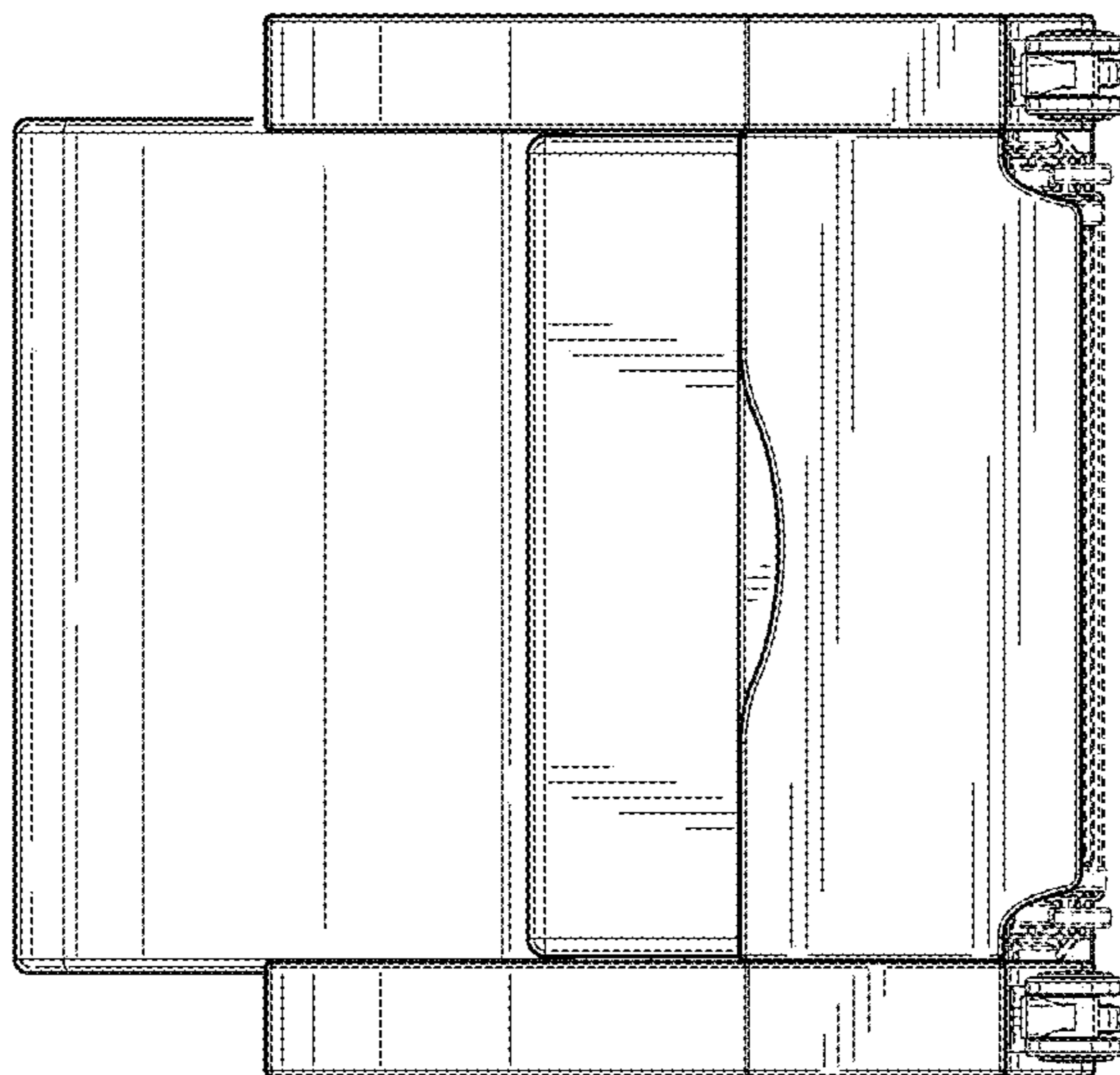


FIG. 21

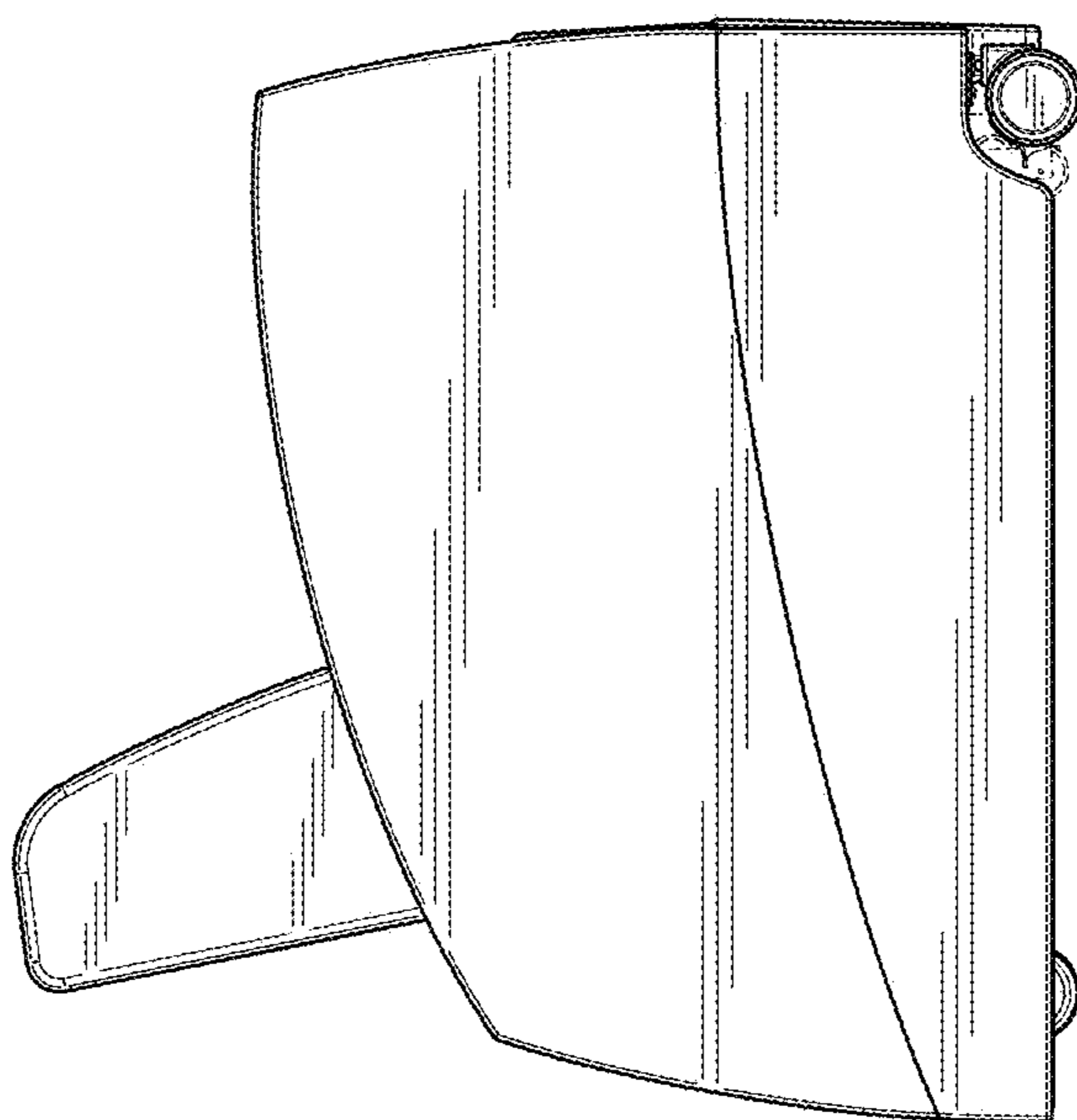


FIG. 20



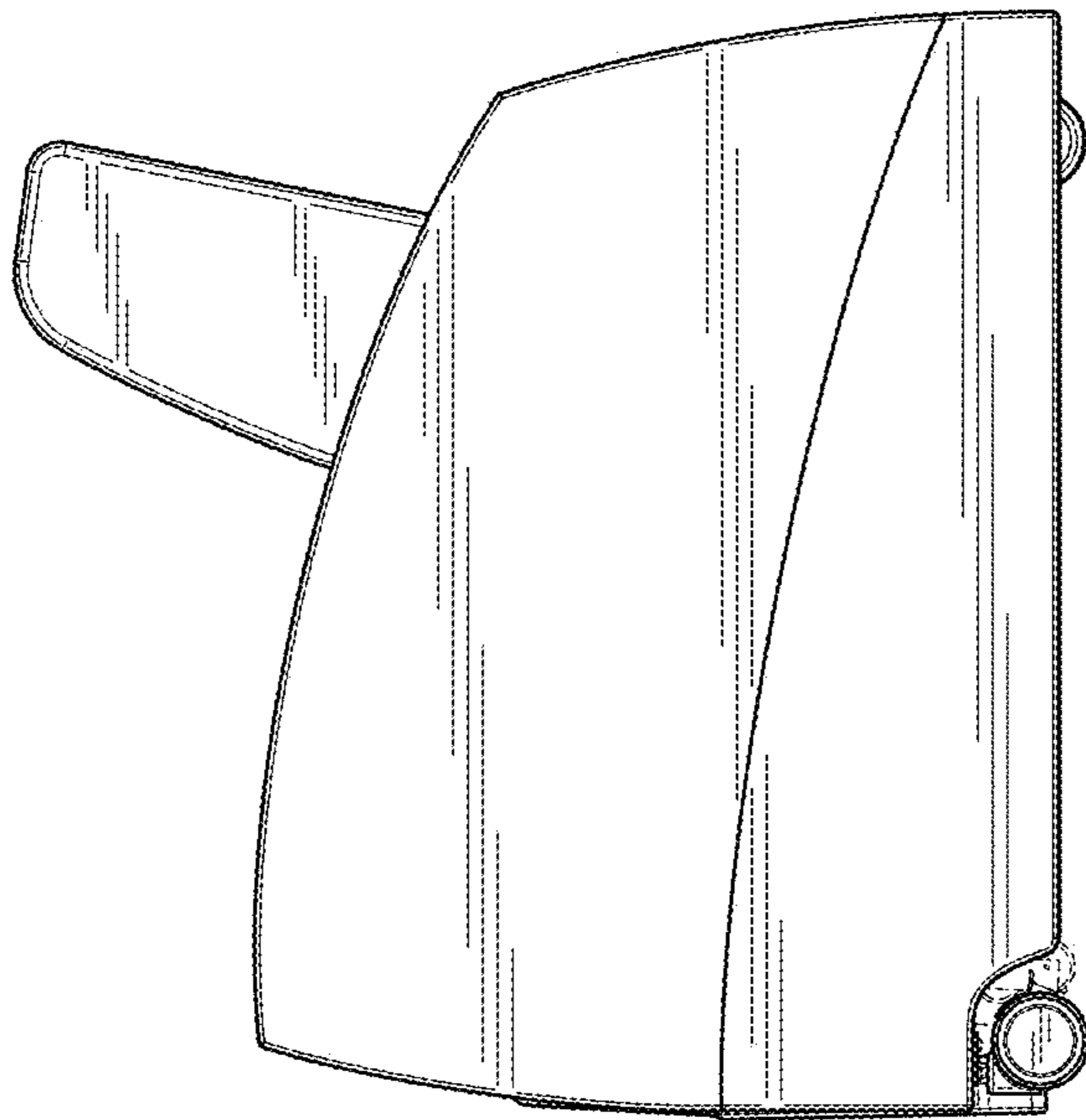


FIG. 22

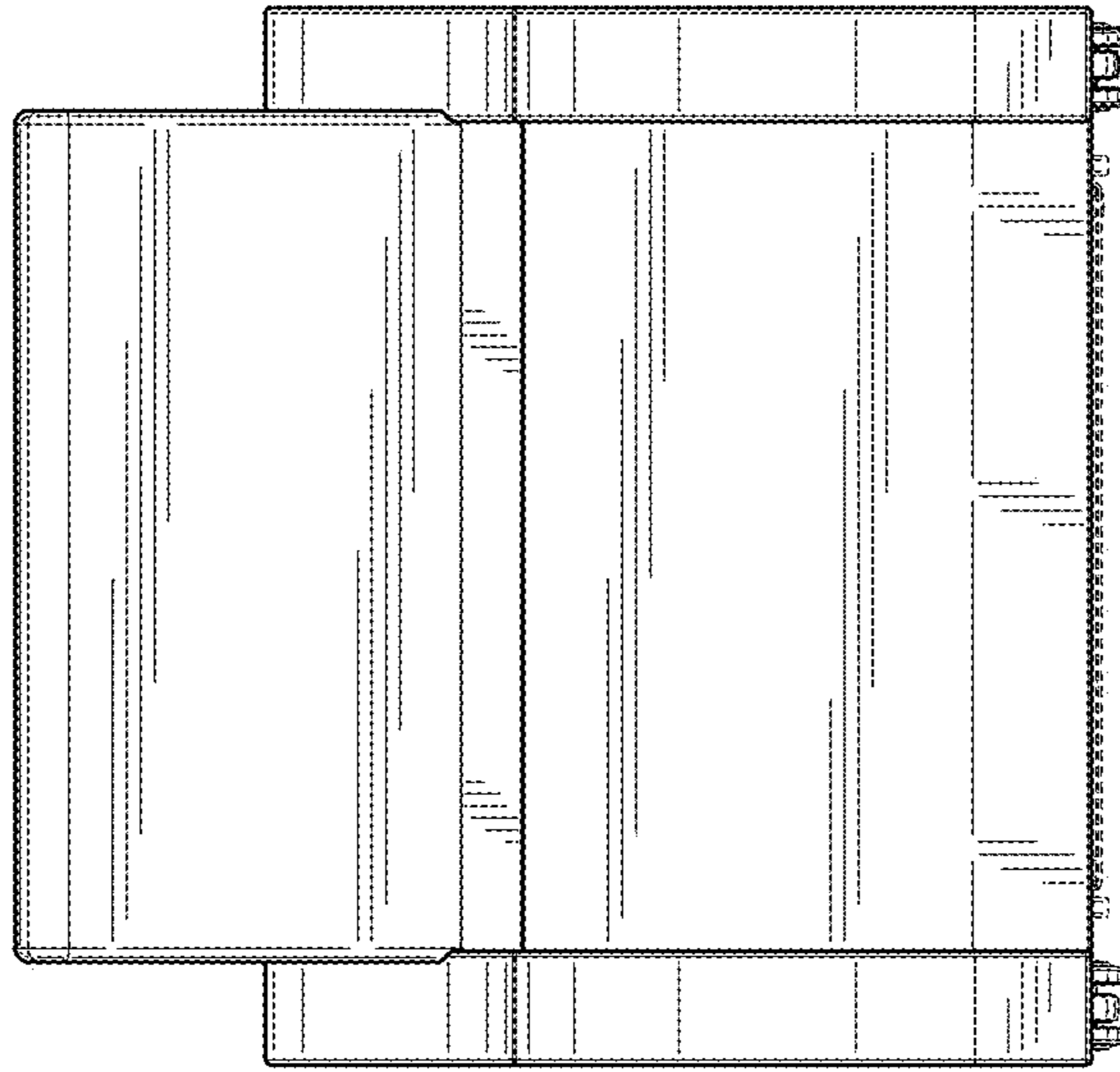
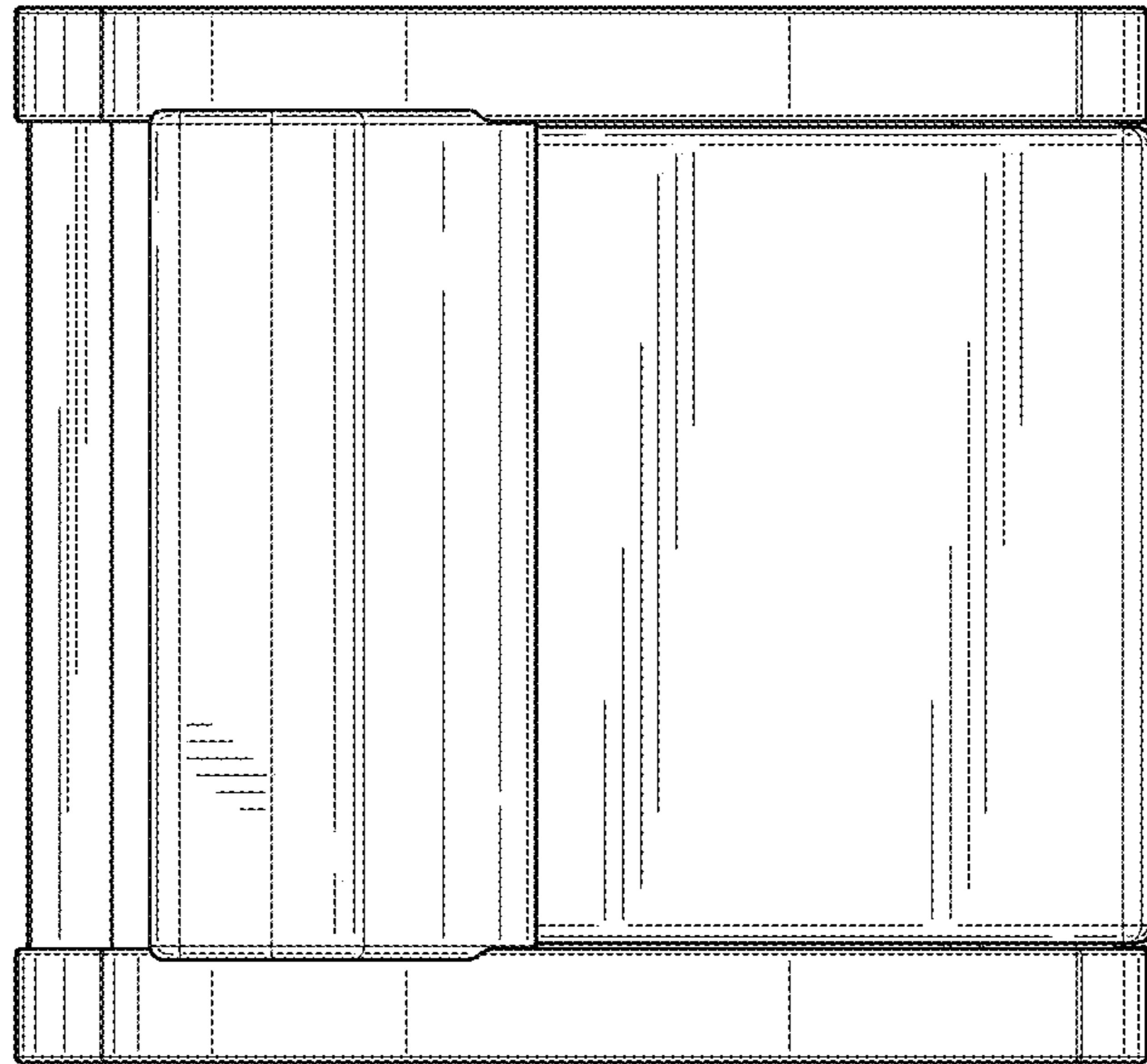


FIG. 23



**FIG. 24**

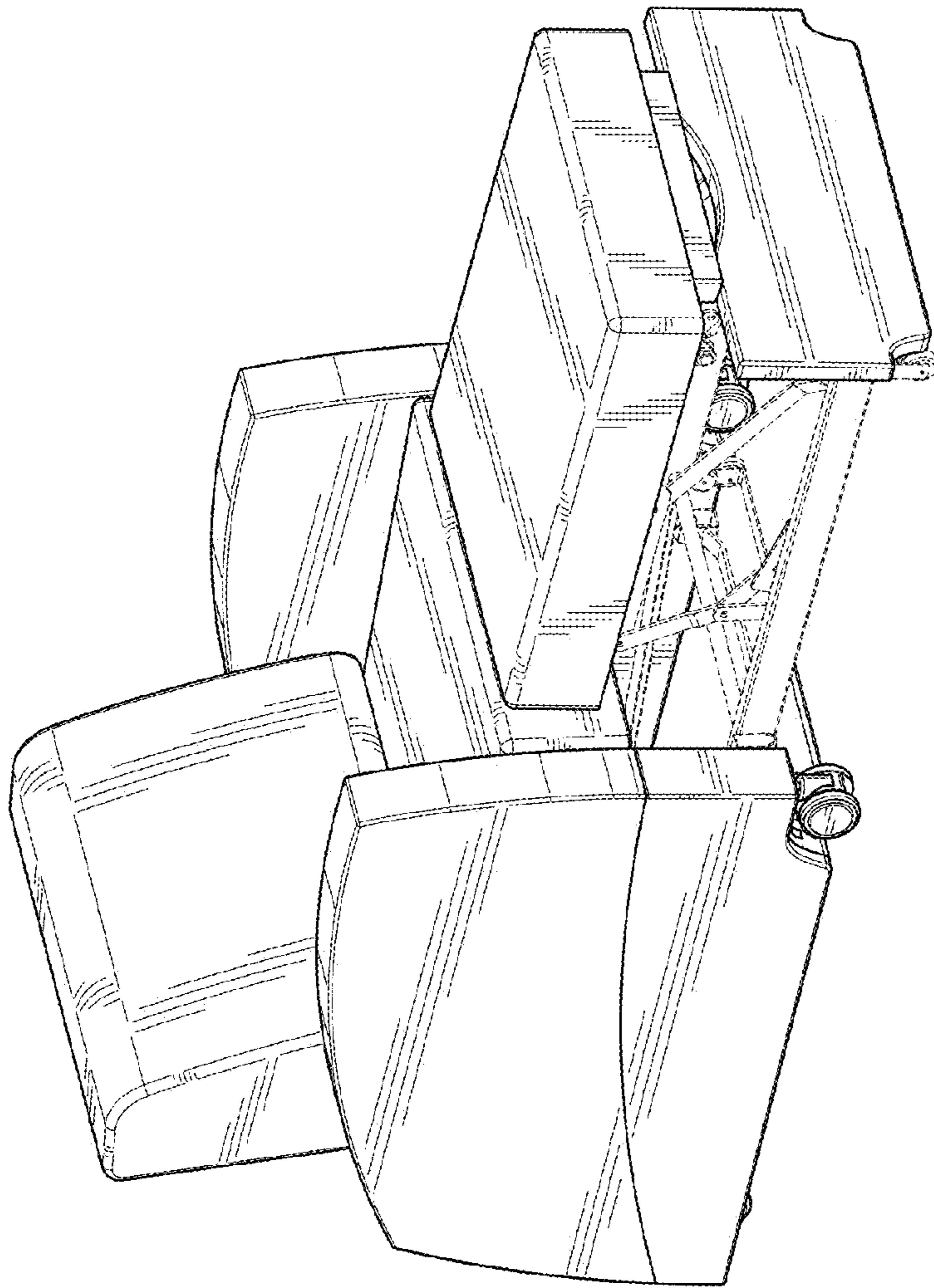


FIG. 25

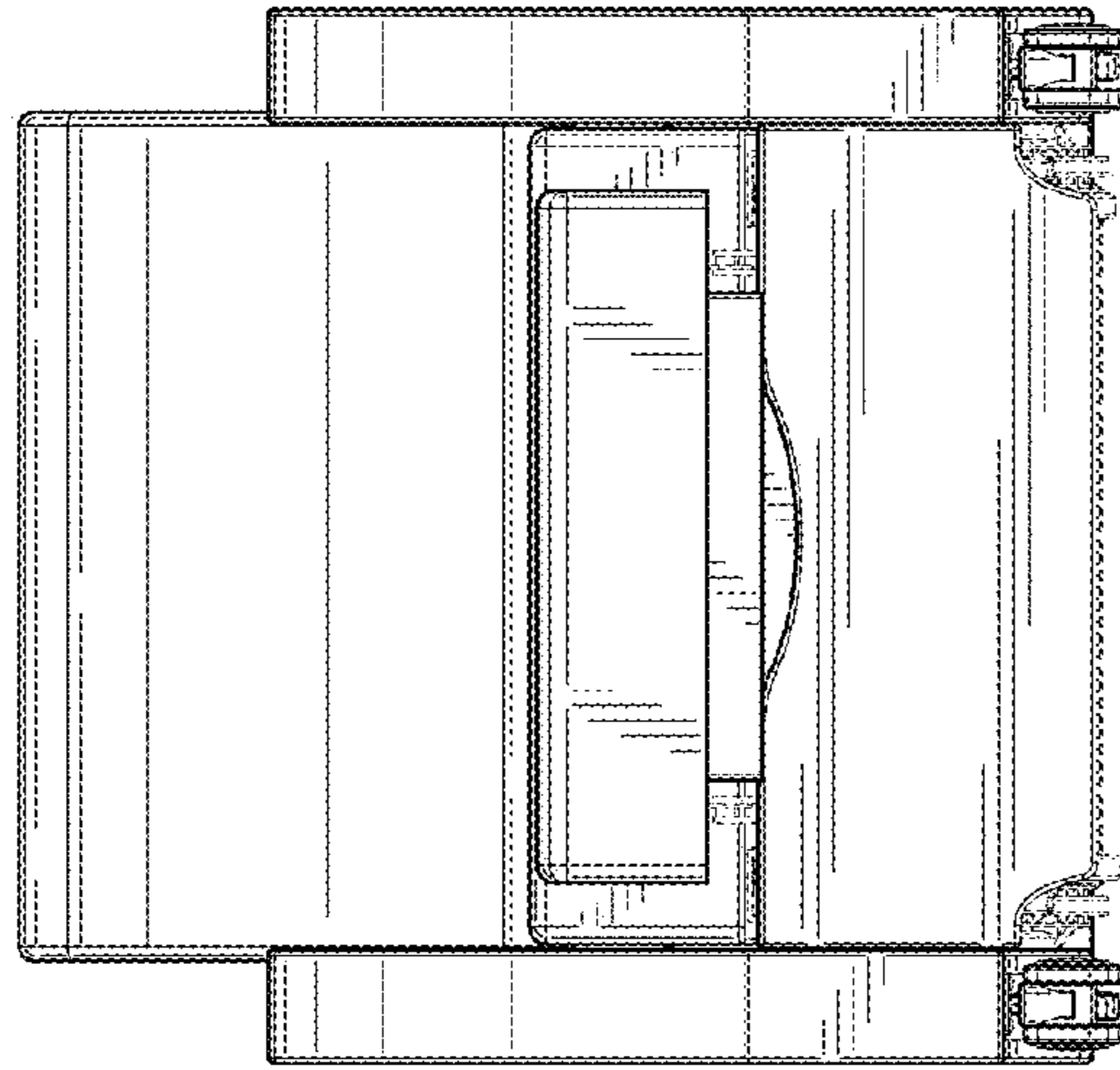


FIG. 27

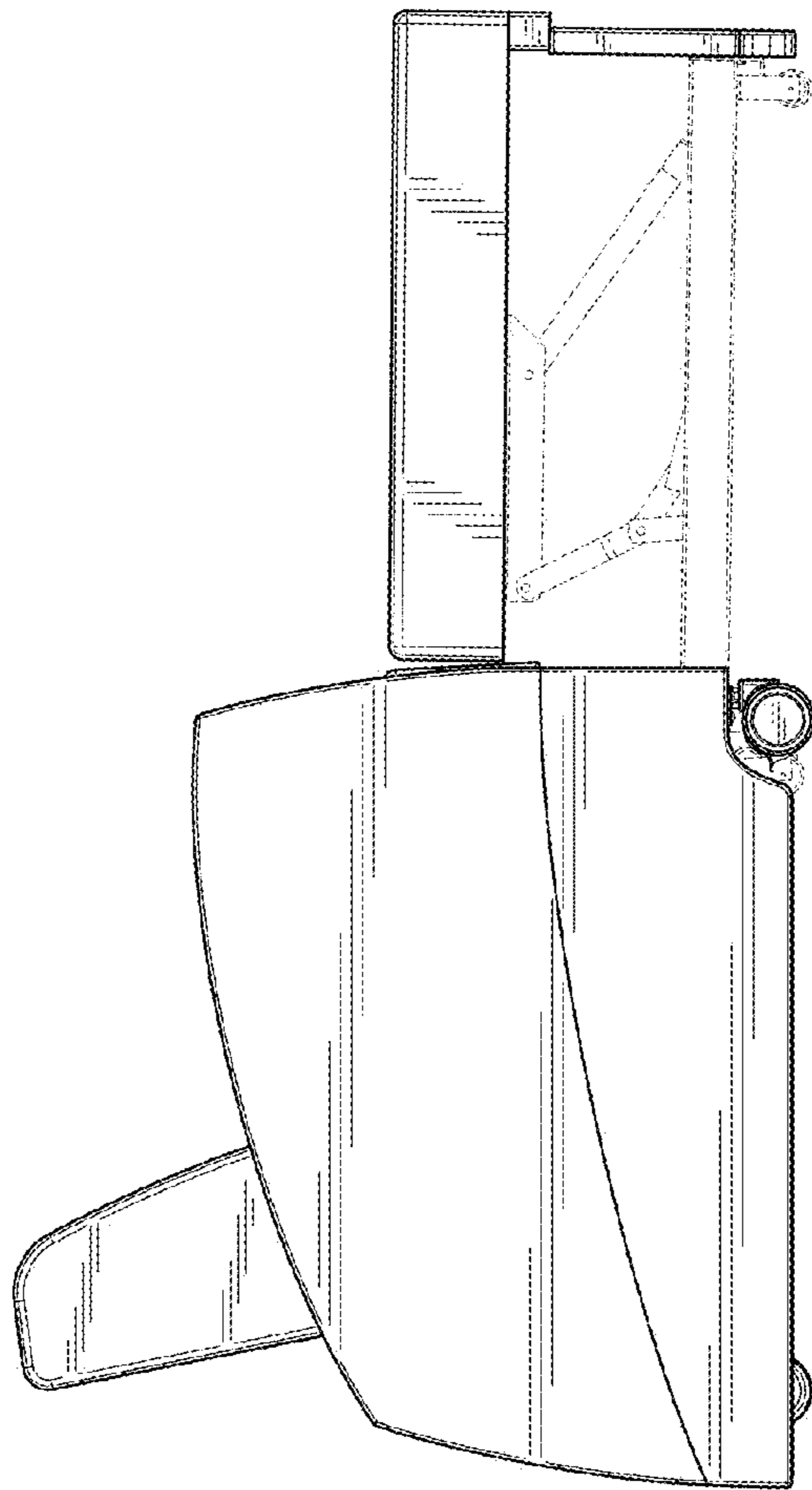


FIG. 26



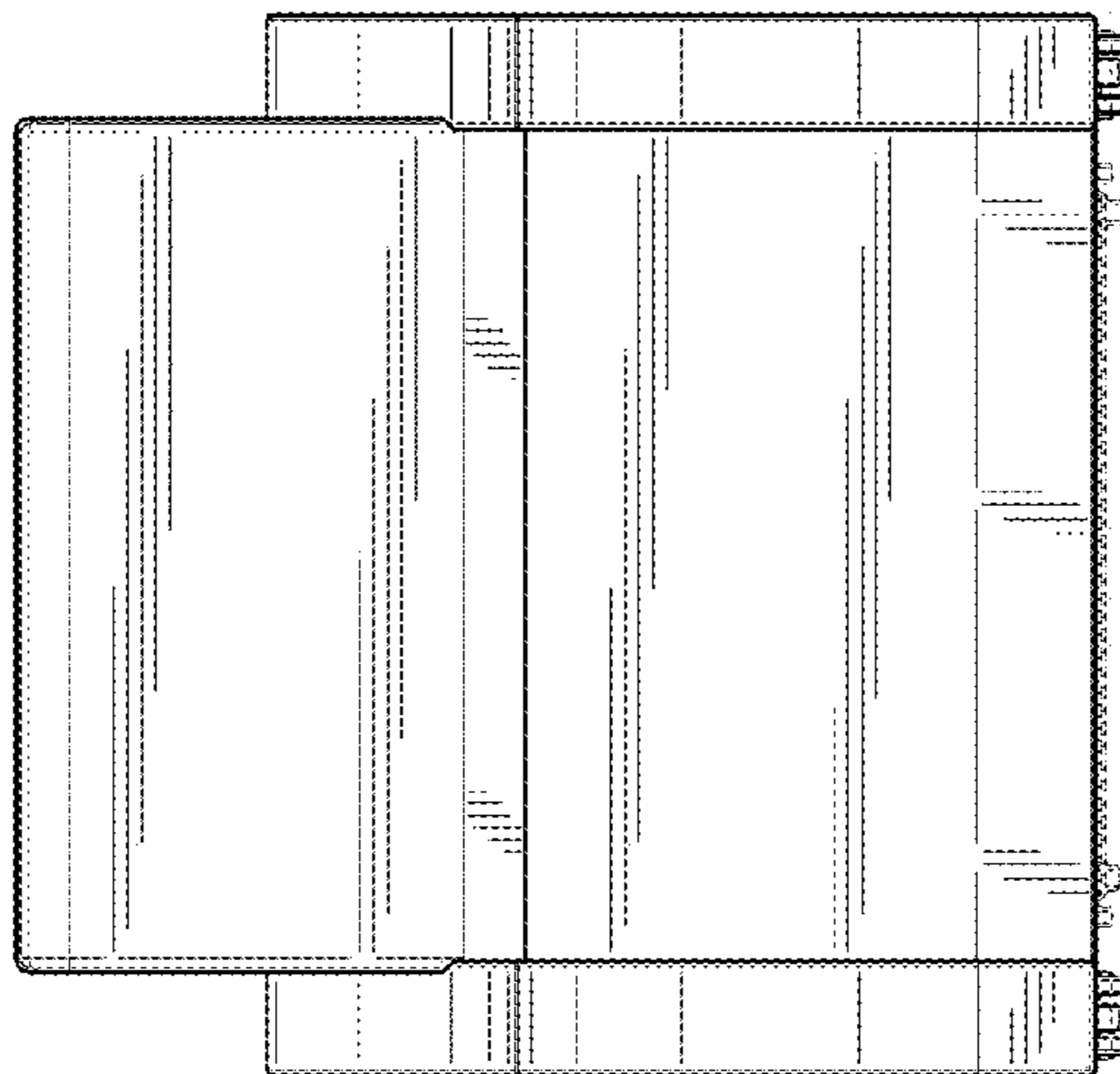


FIG. 29

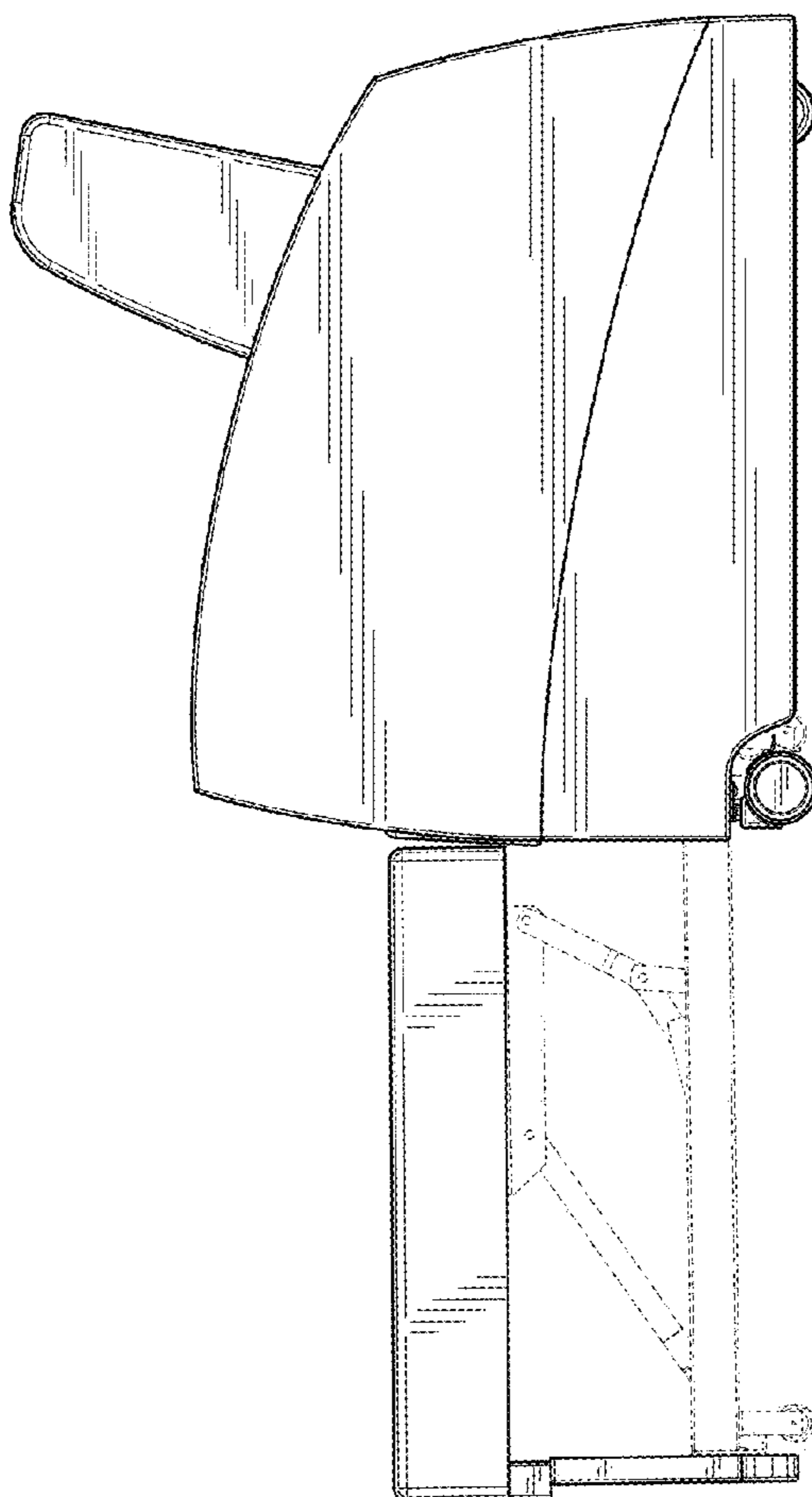
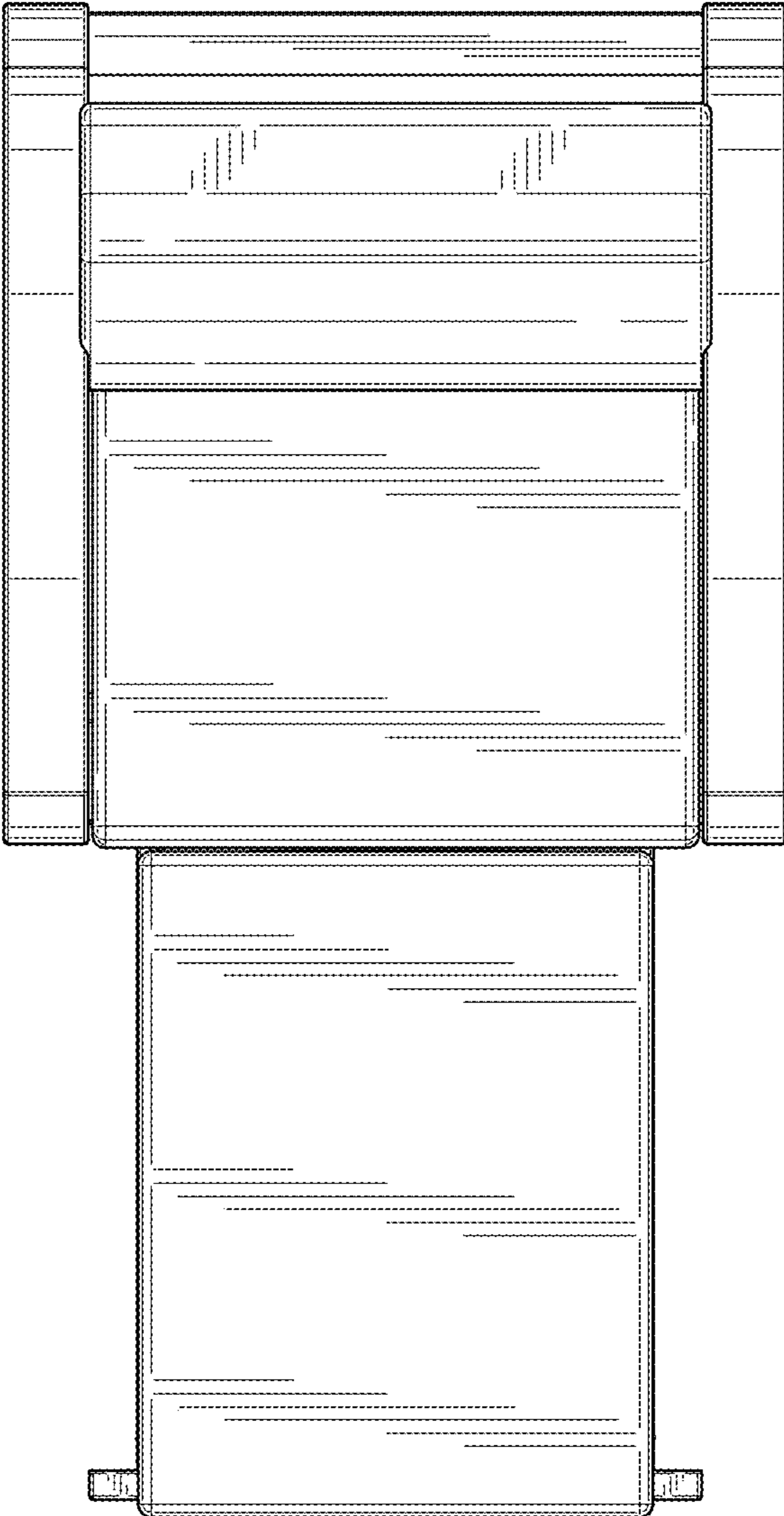
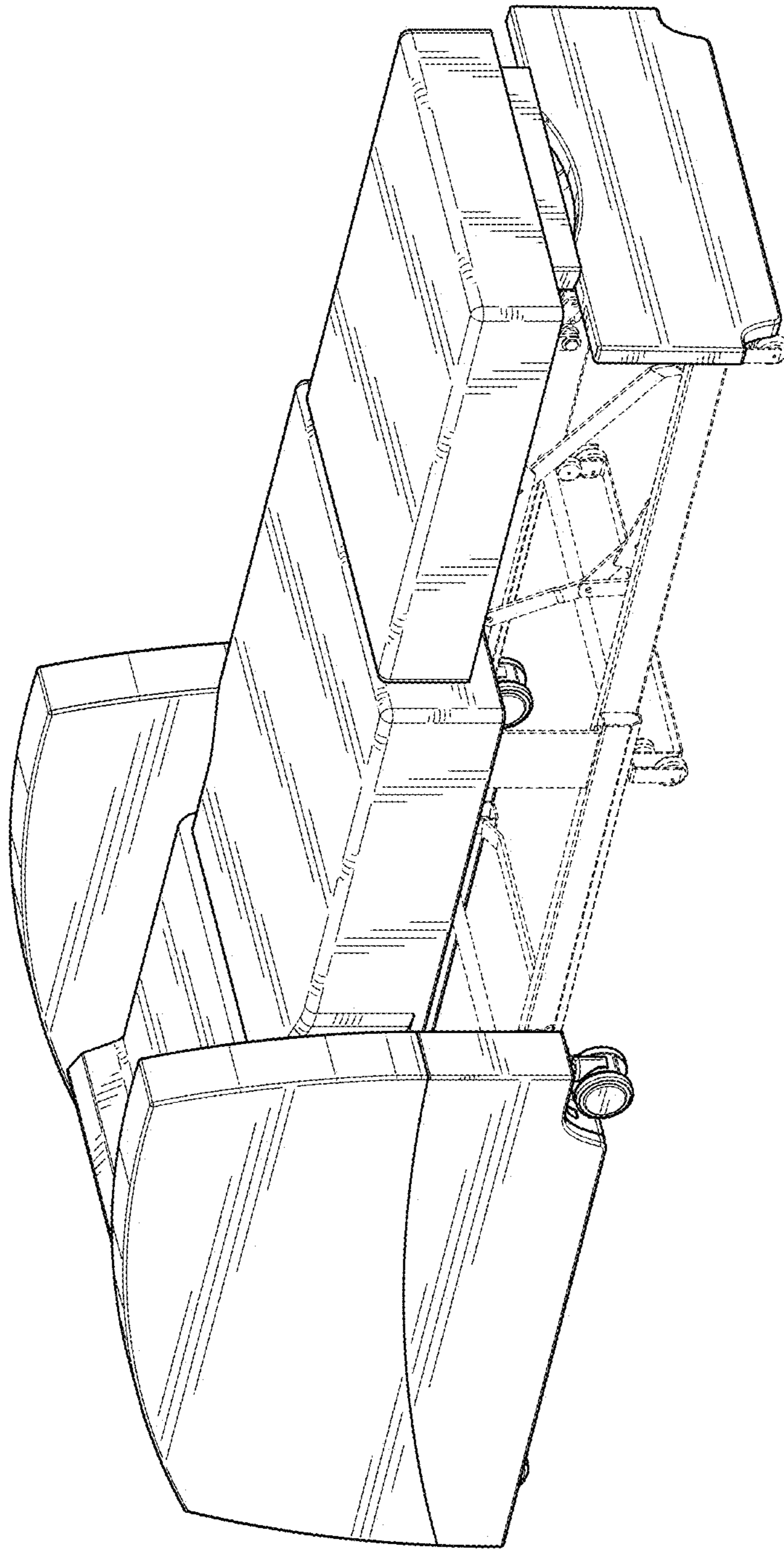


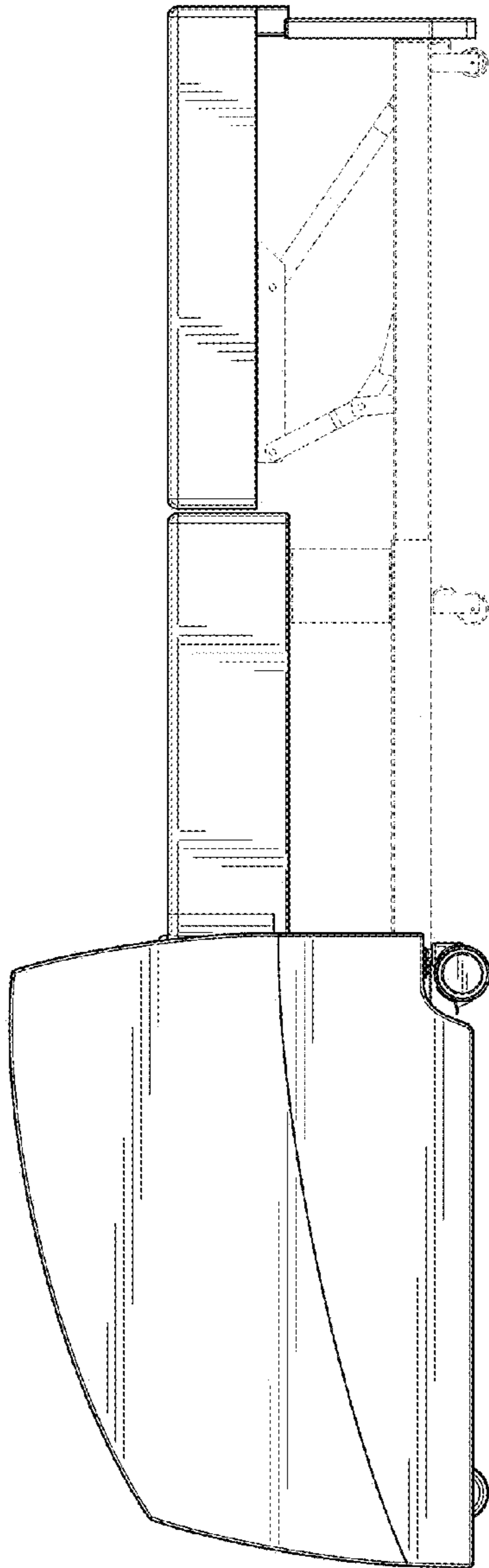
FIG. 28



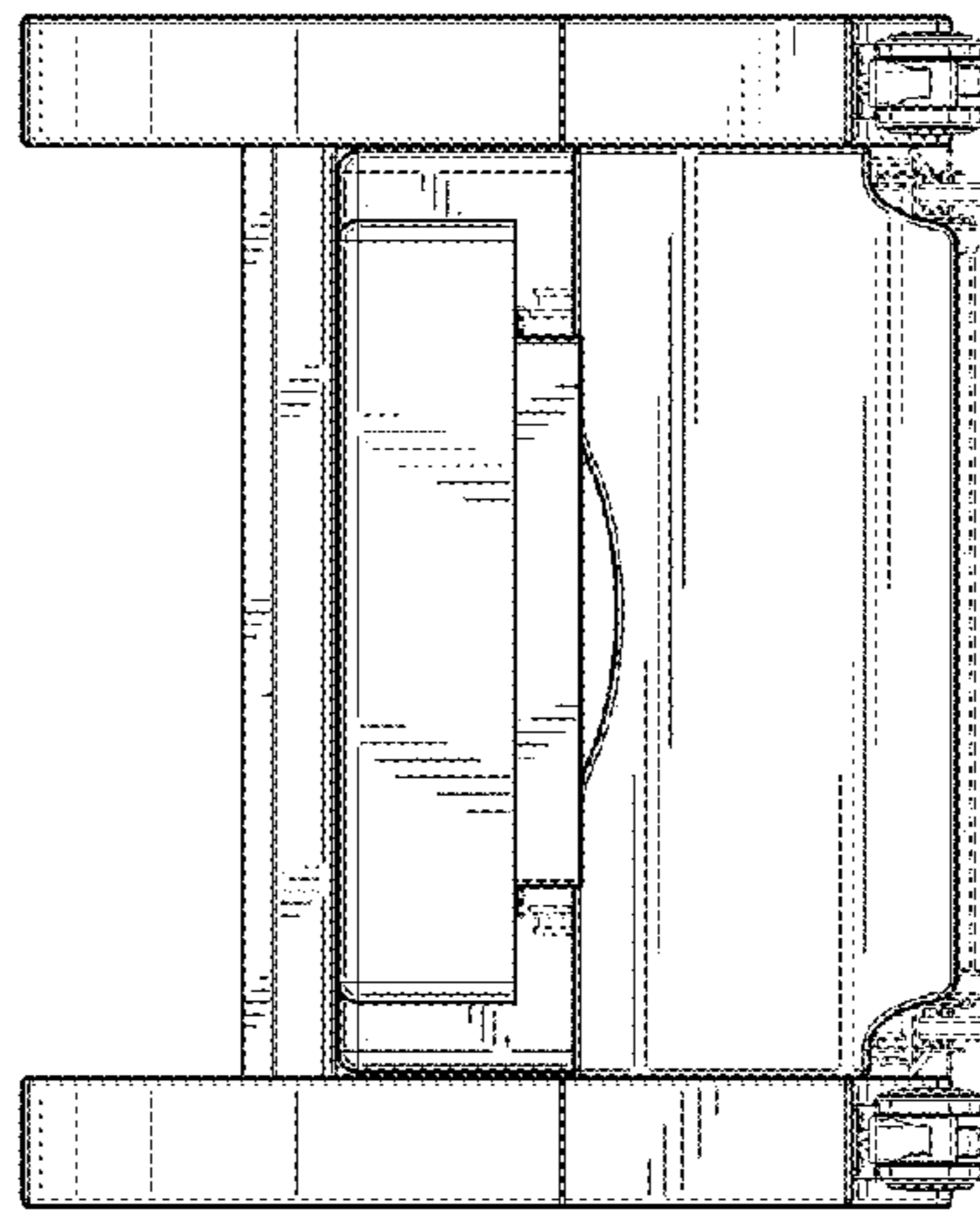
**FIG. 30**



**FIG. 31**

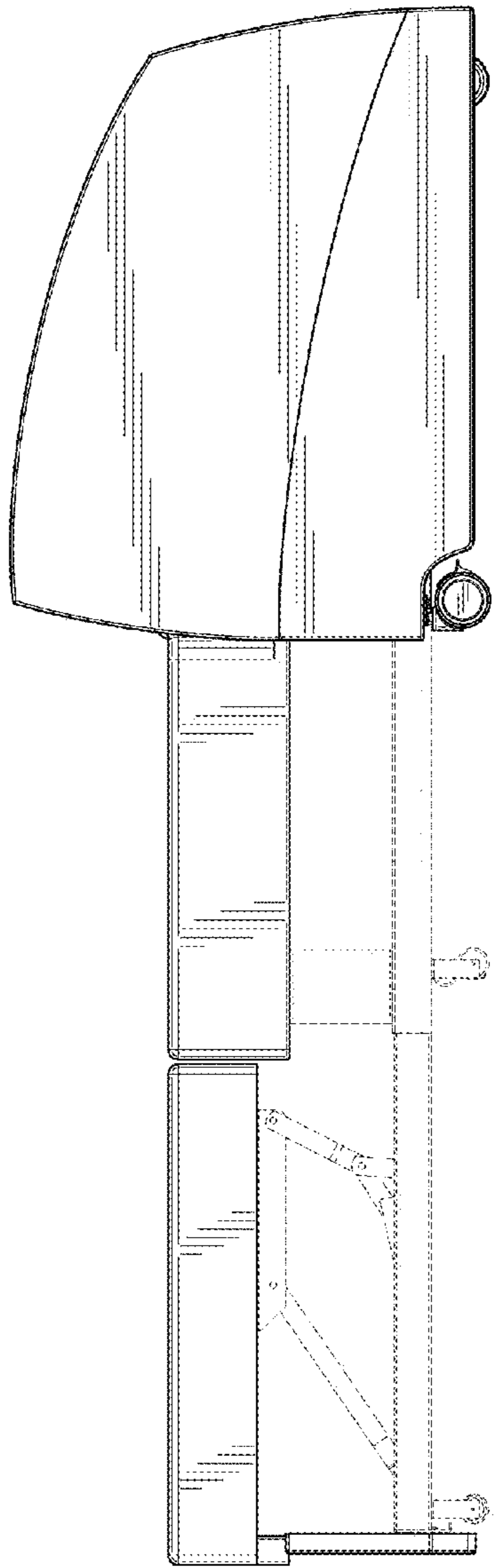


**FIG. 32**

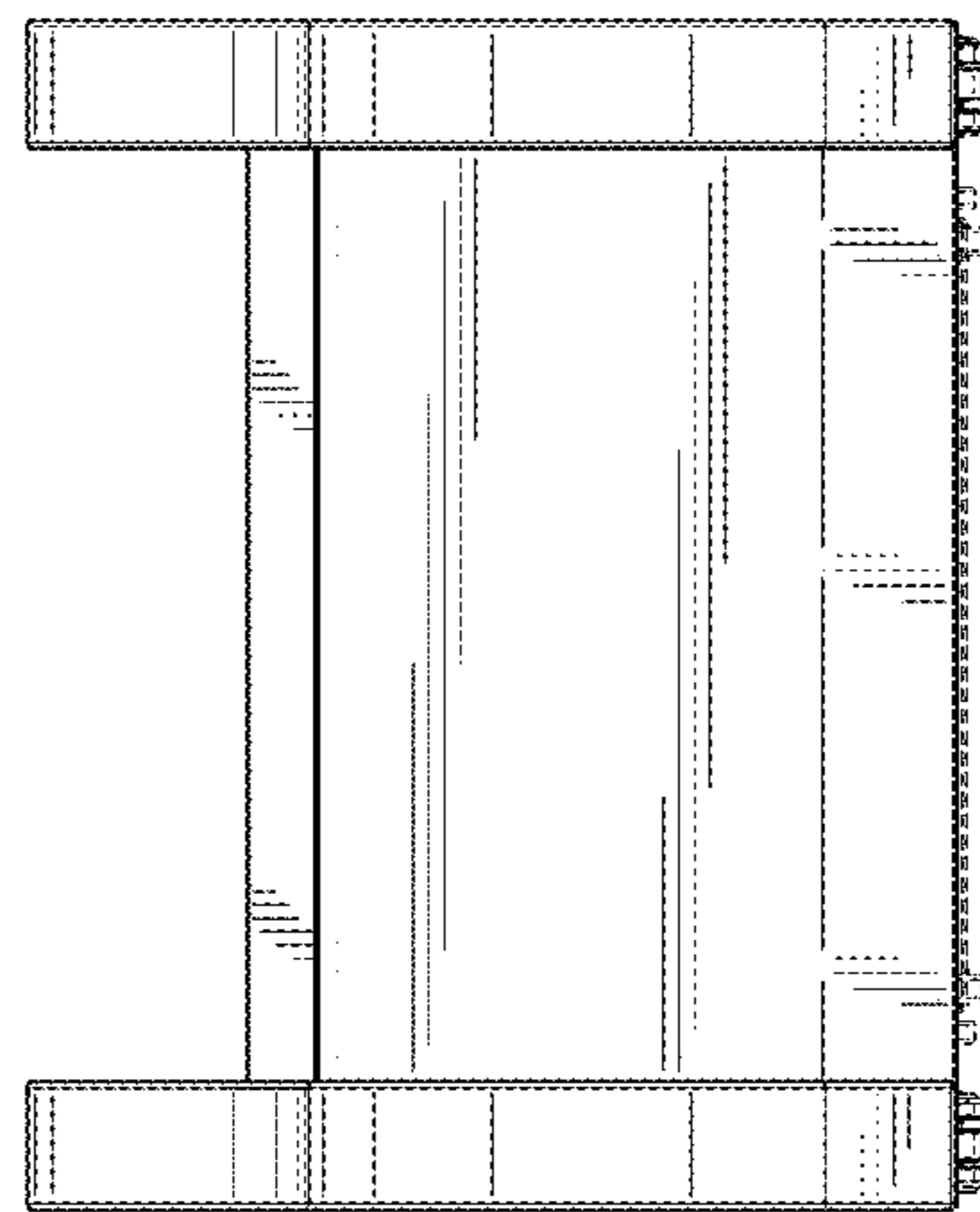


**FIG. 33**

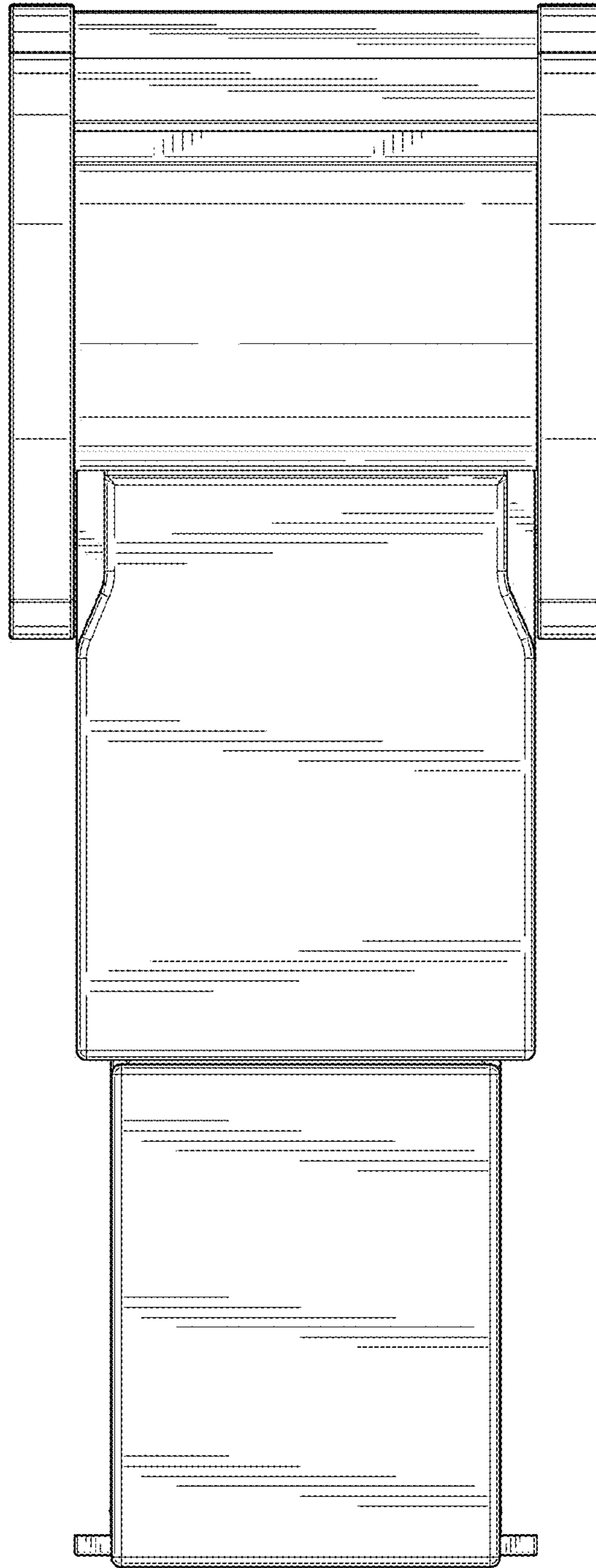




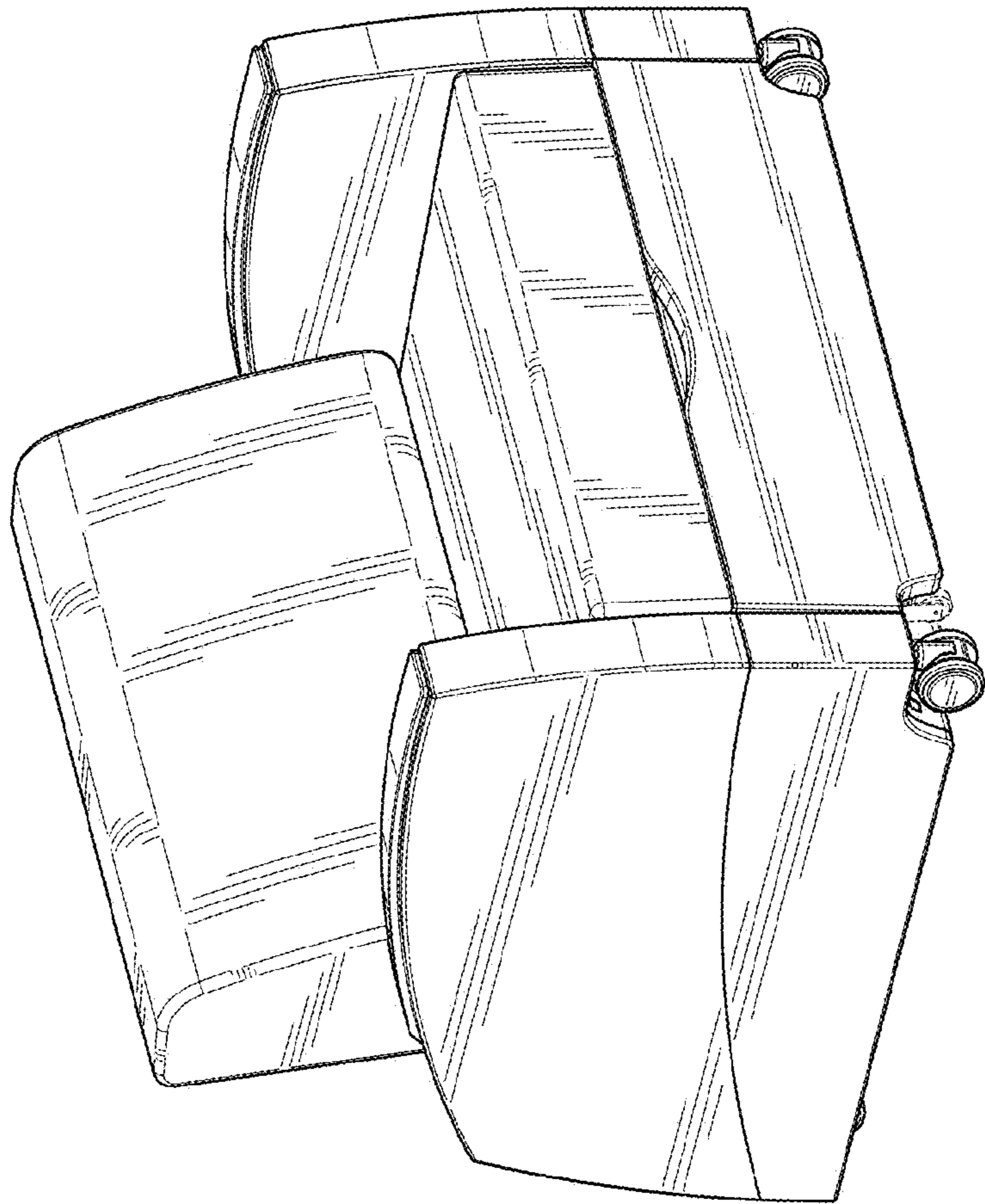
**FIG. 34**



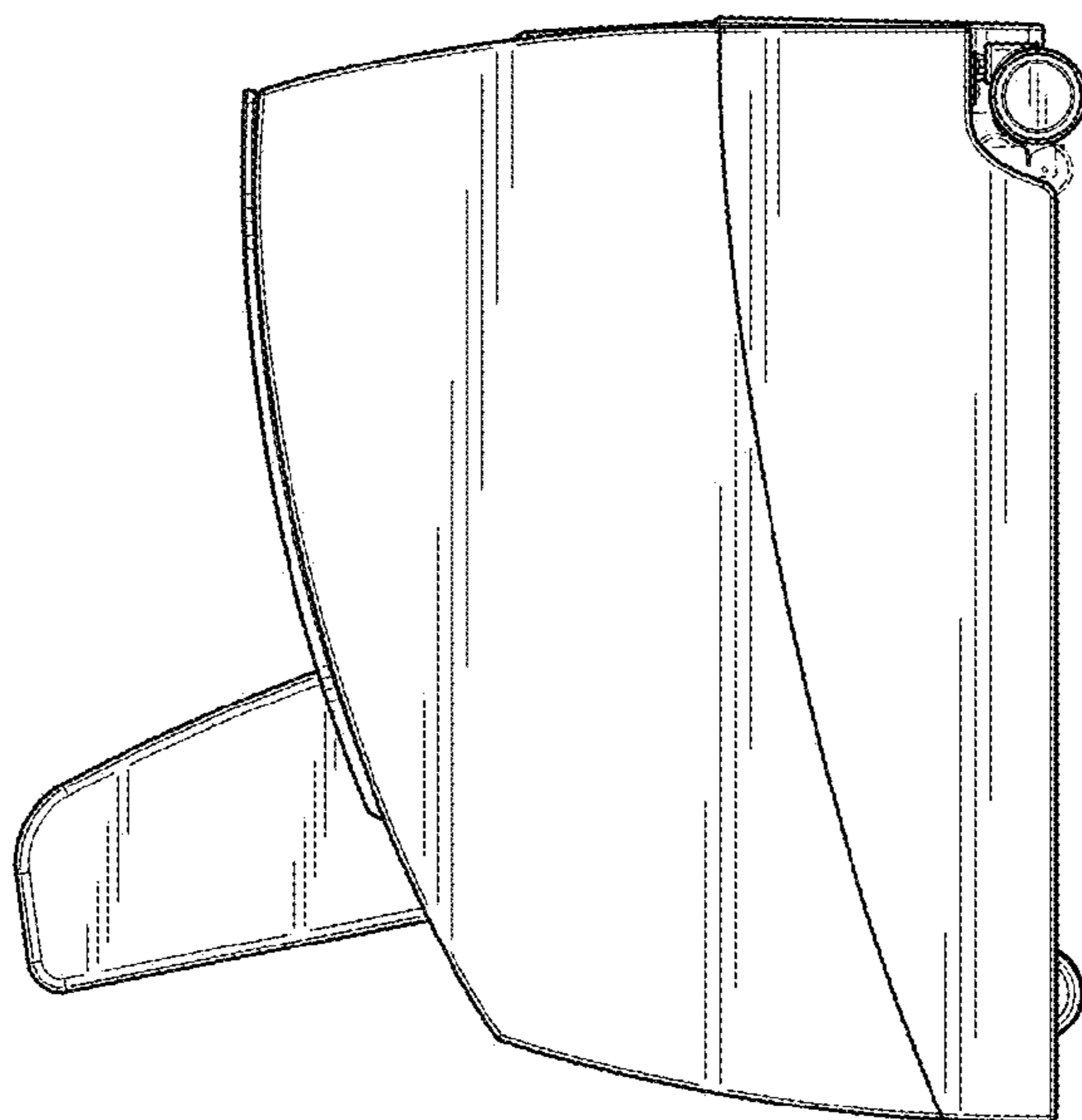
**FIG. 35**



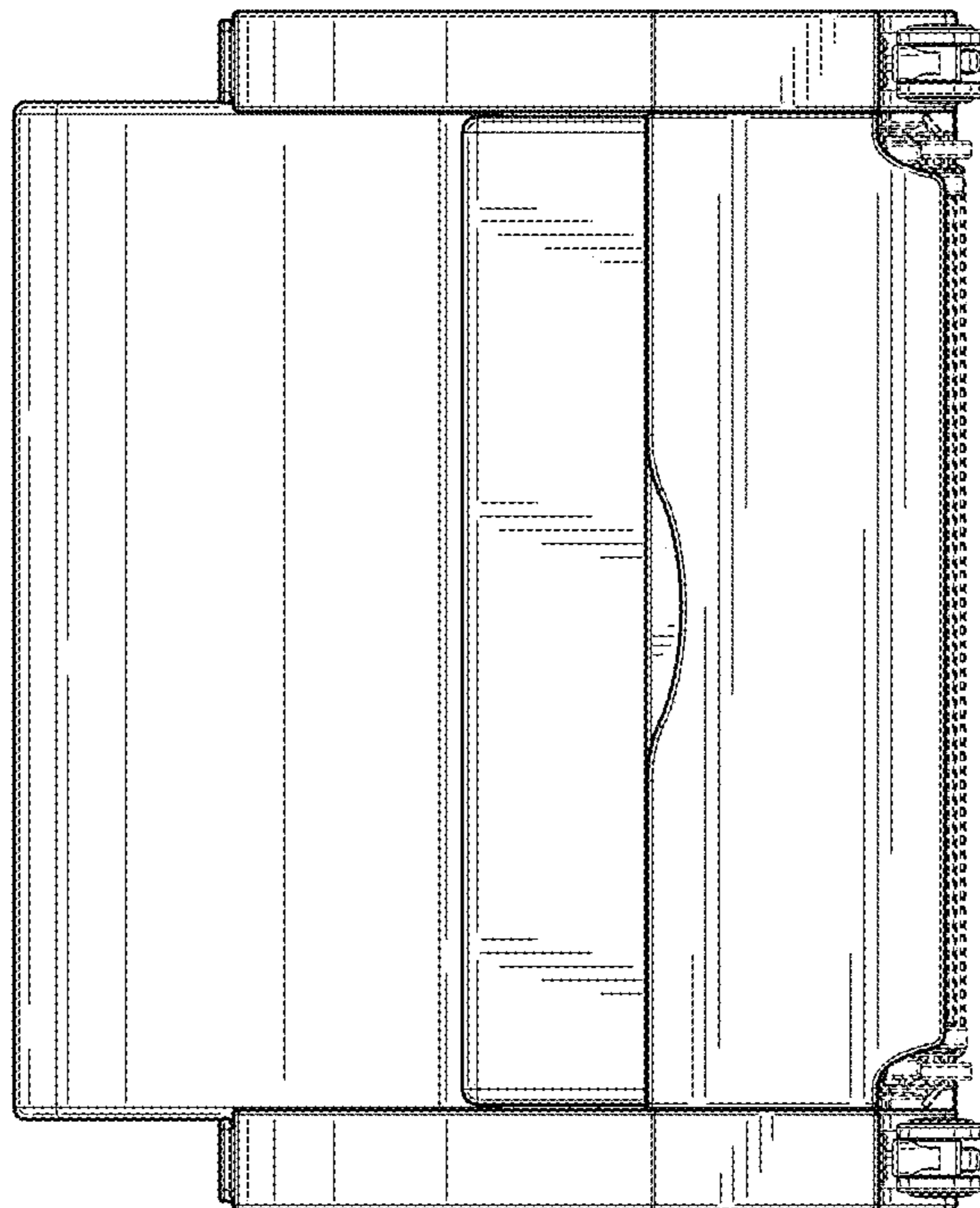
**FIG. 36**



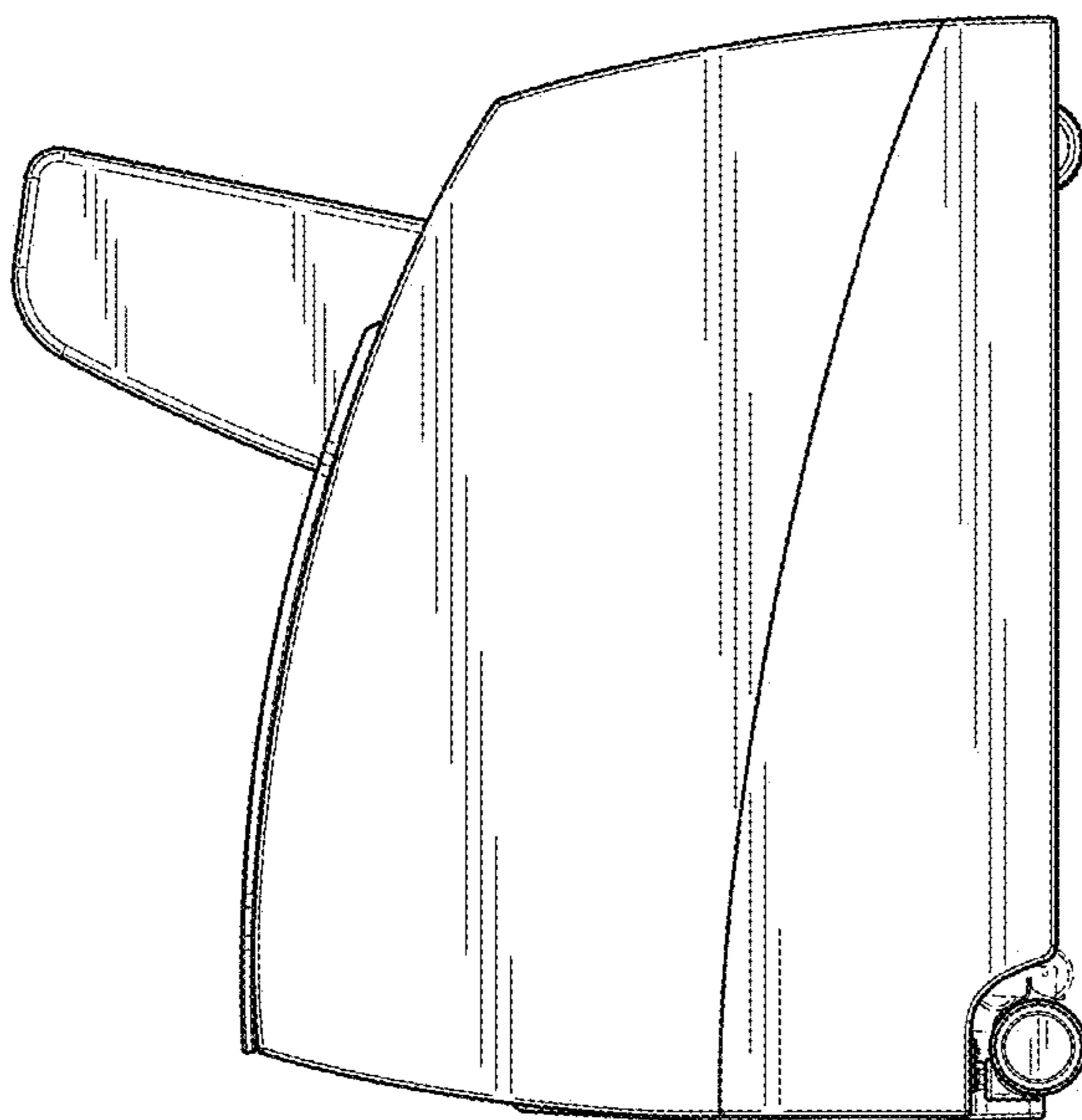
**FIG. 37**



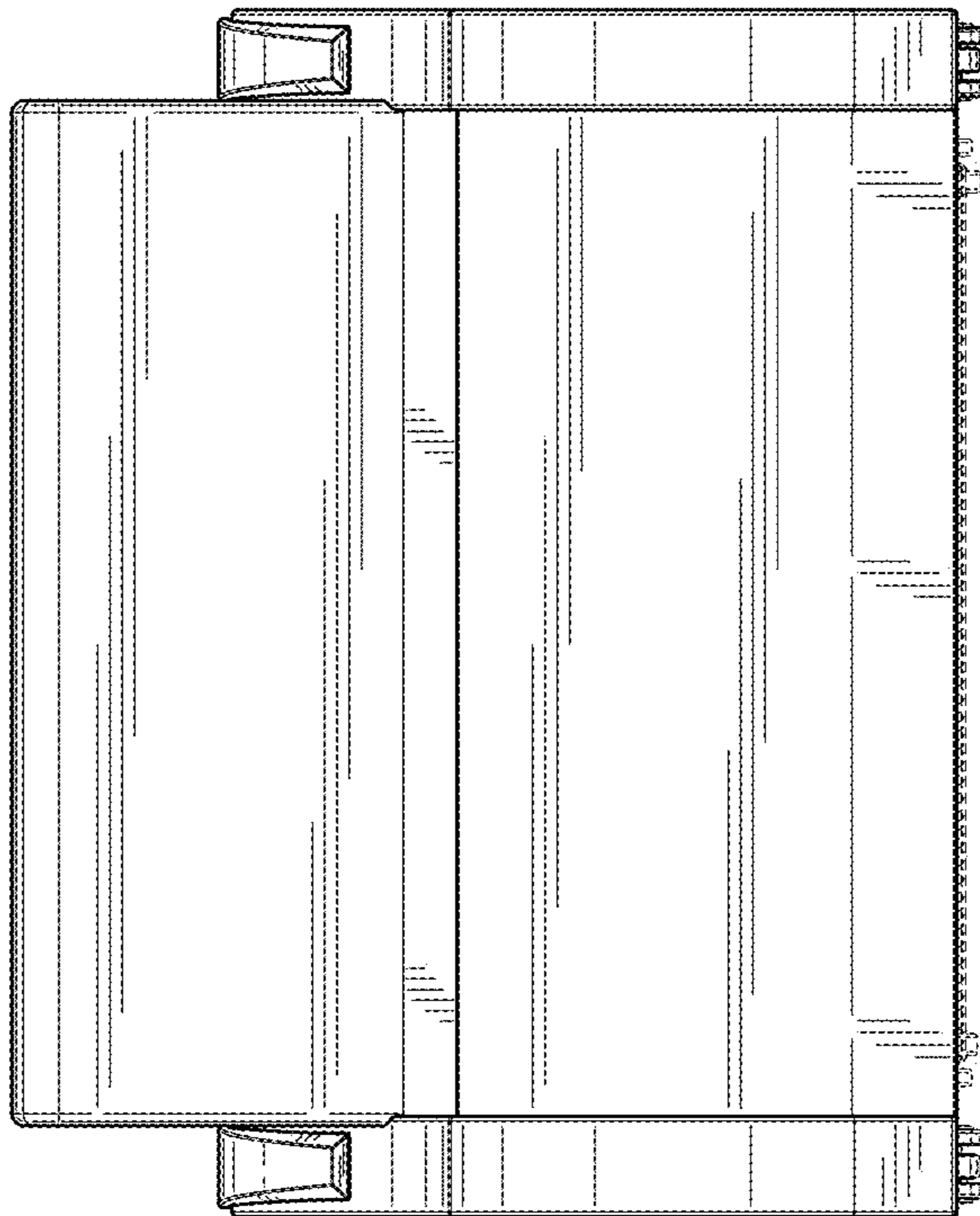
**FIG. 38**



**FIG. 39**

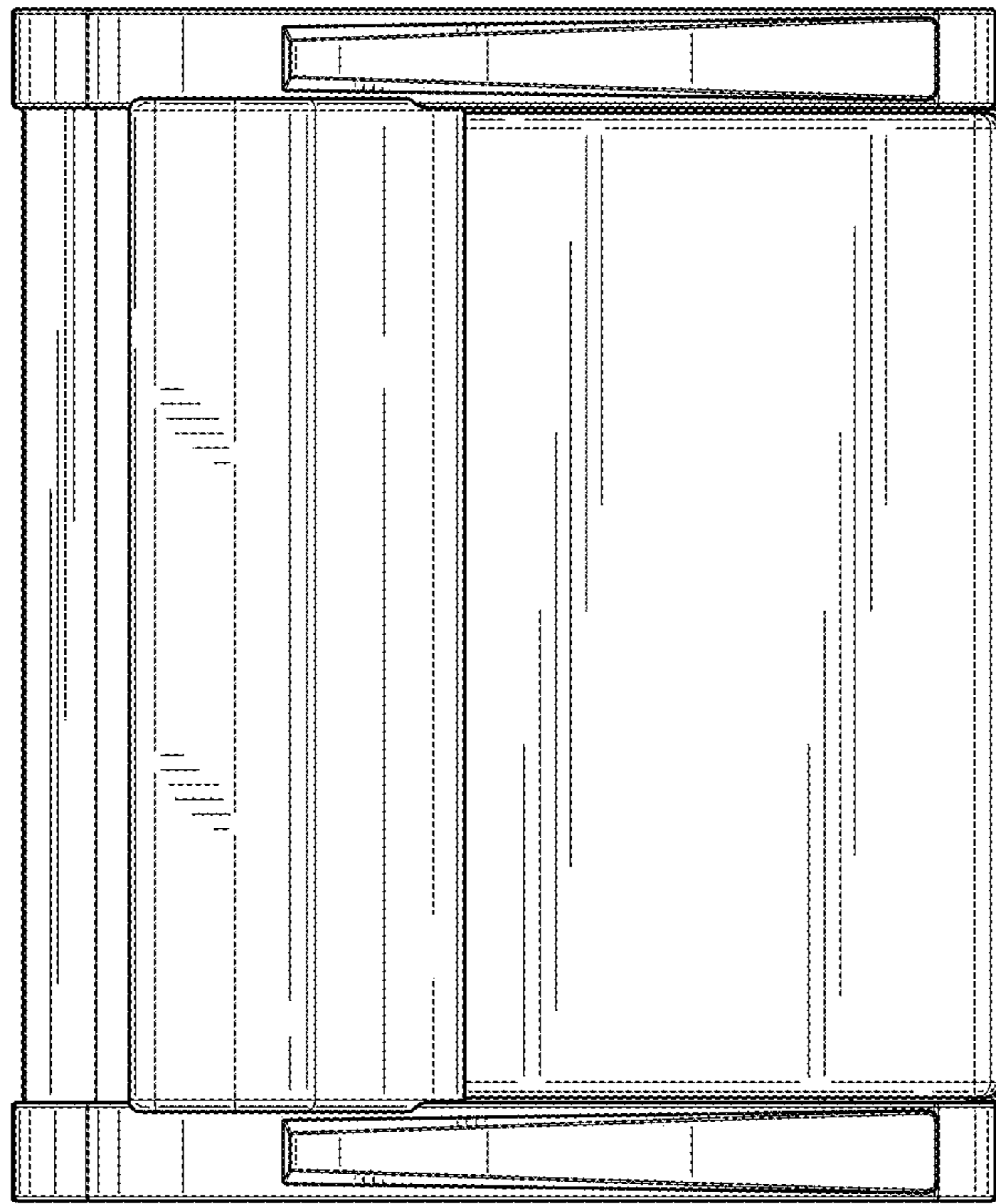


**FIG. 40**

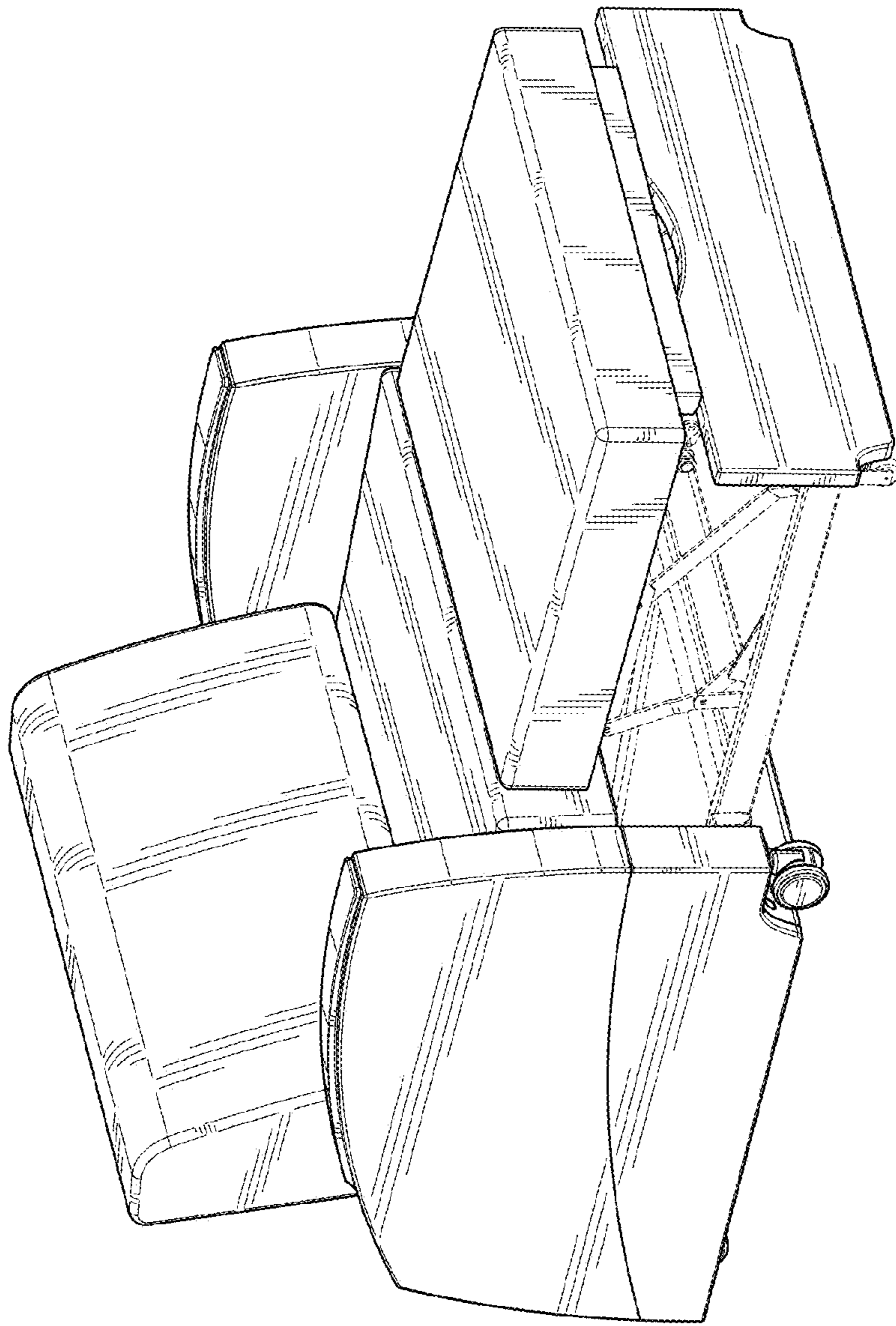


**FIG. 41**





**FIG. 42**



**FIG. 43**

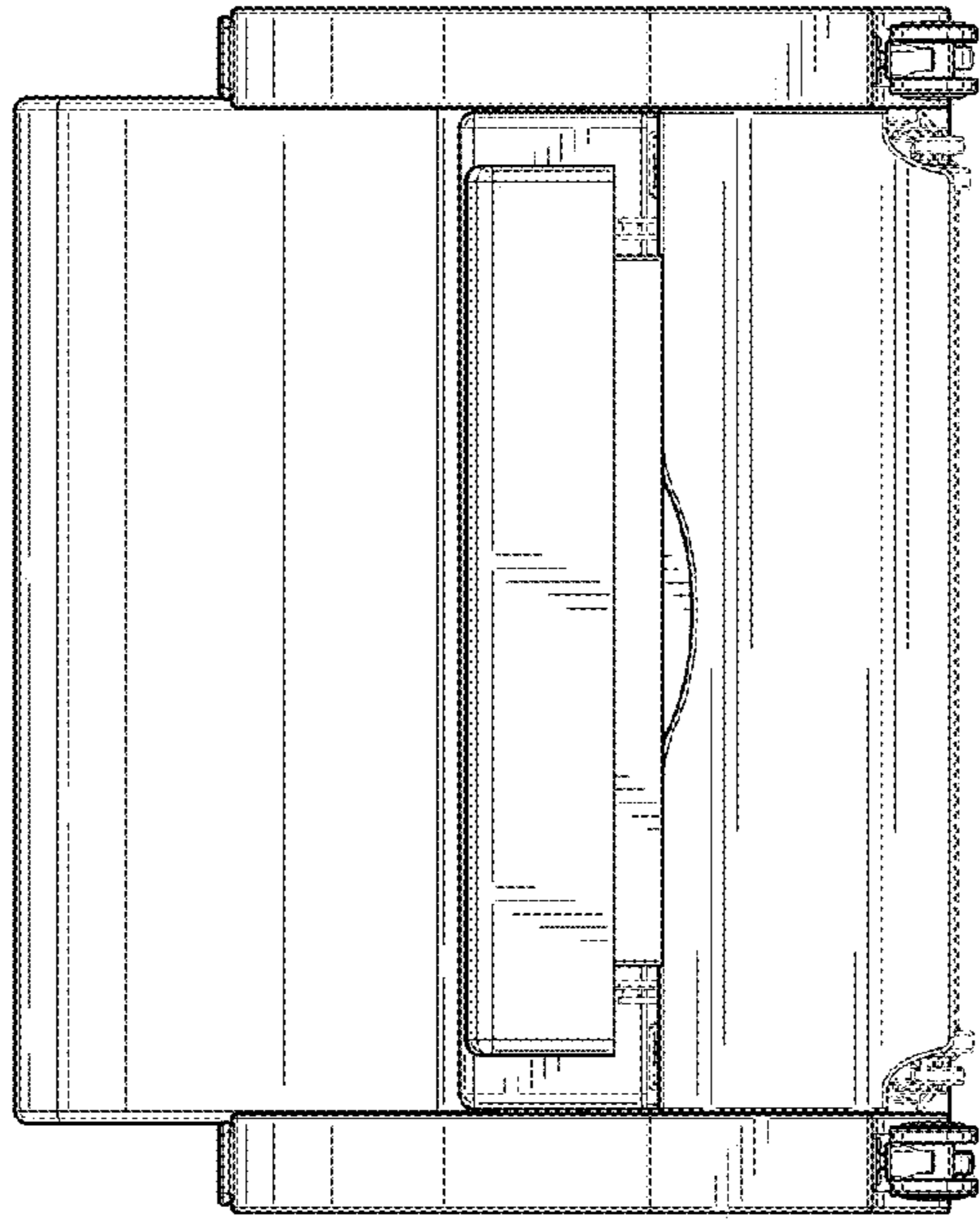


FIG. 45

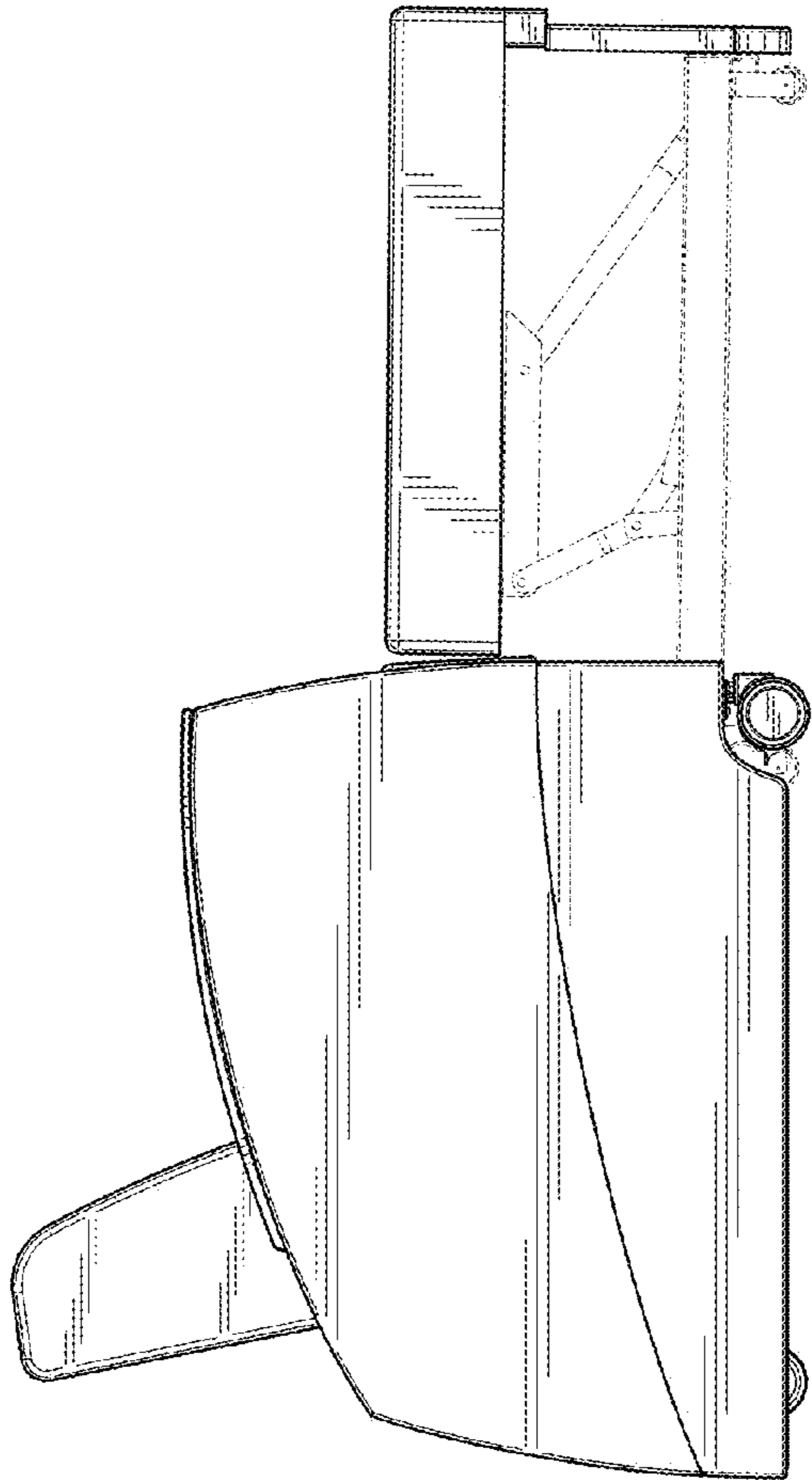


FIG. 44

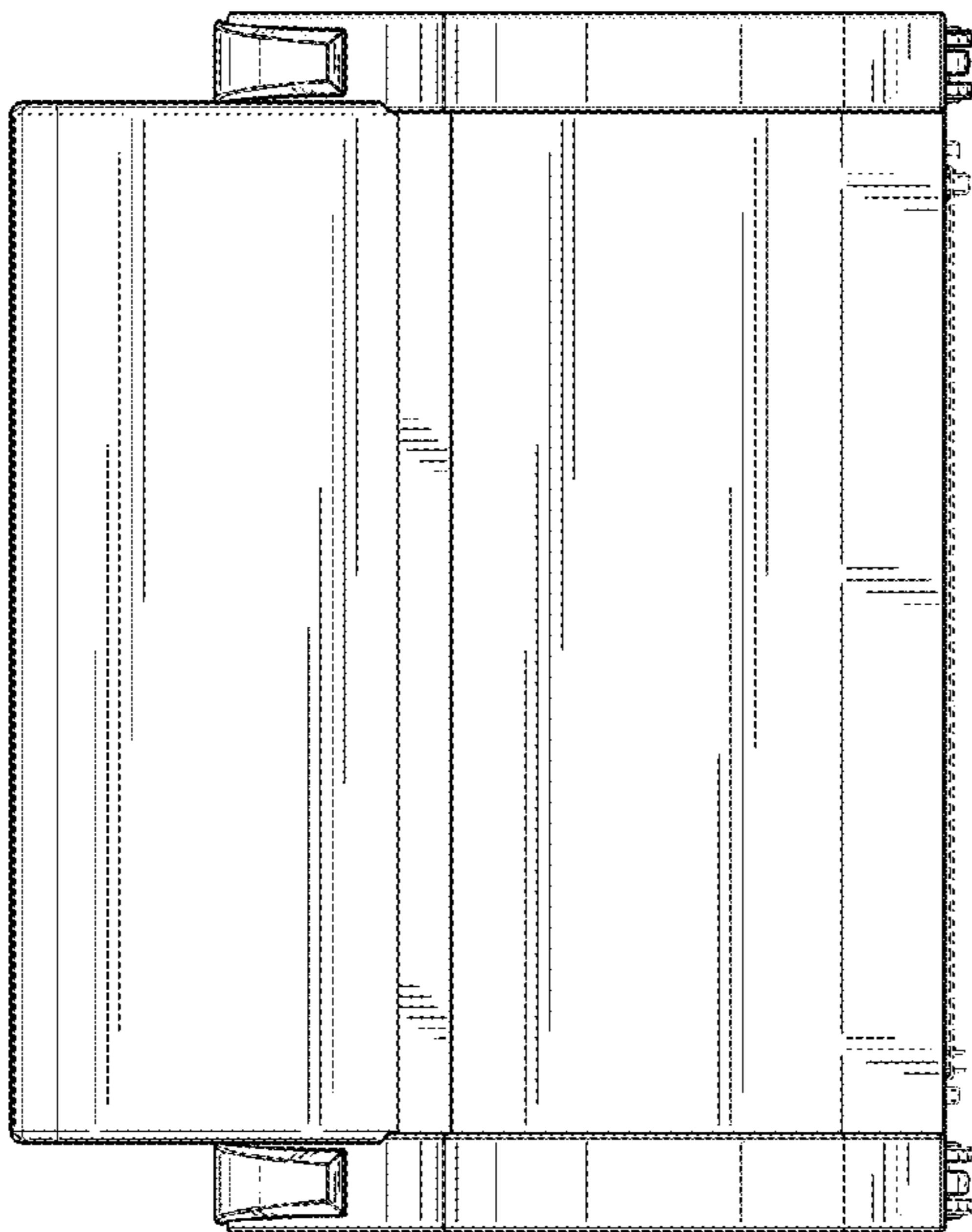


FIG. 47

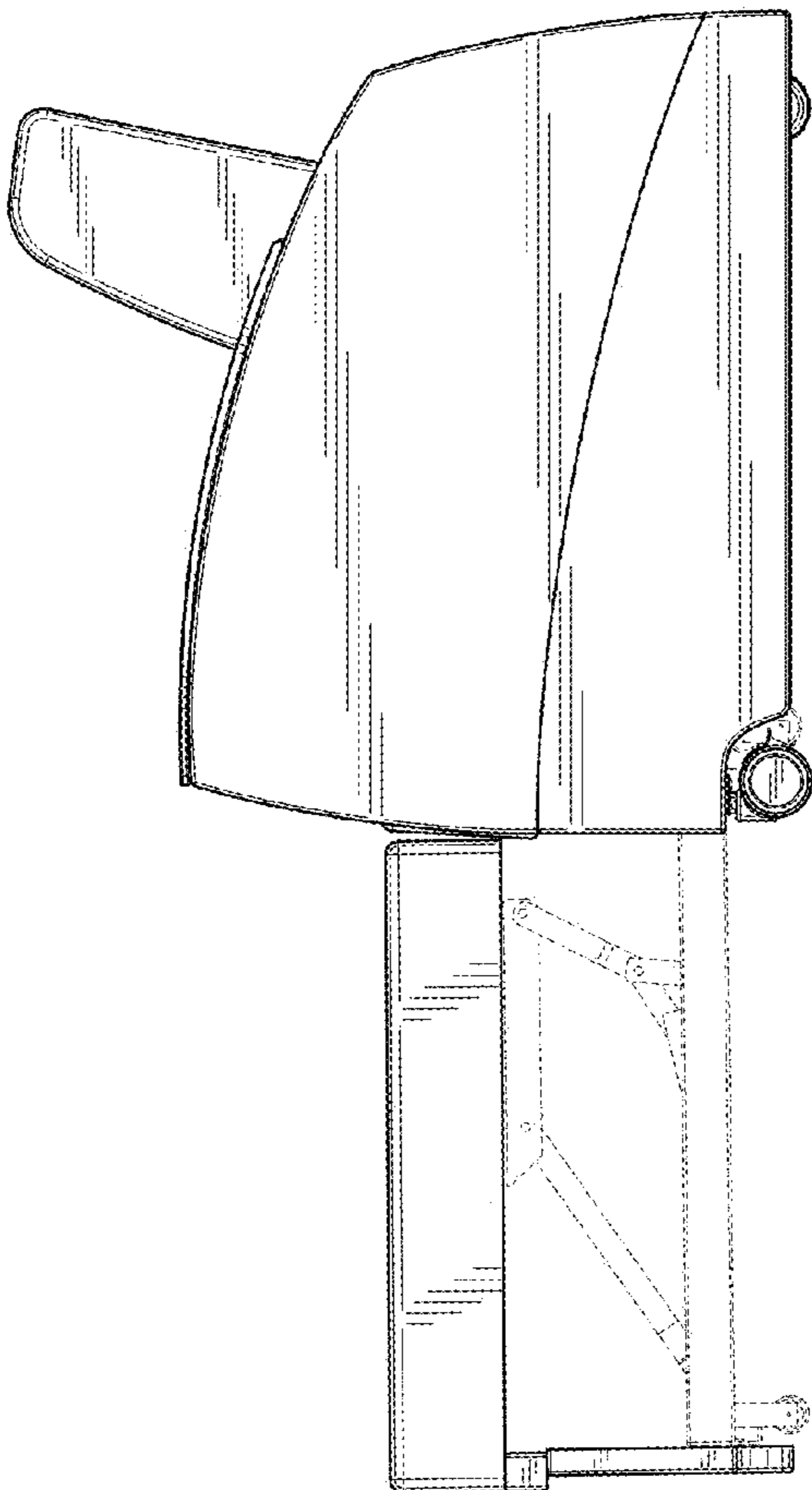
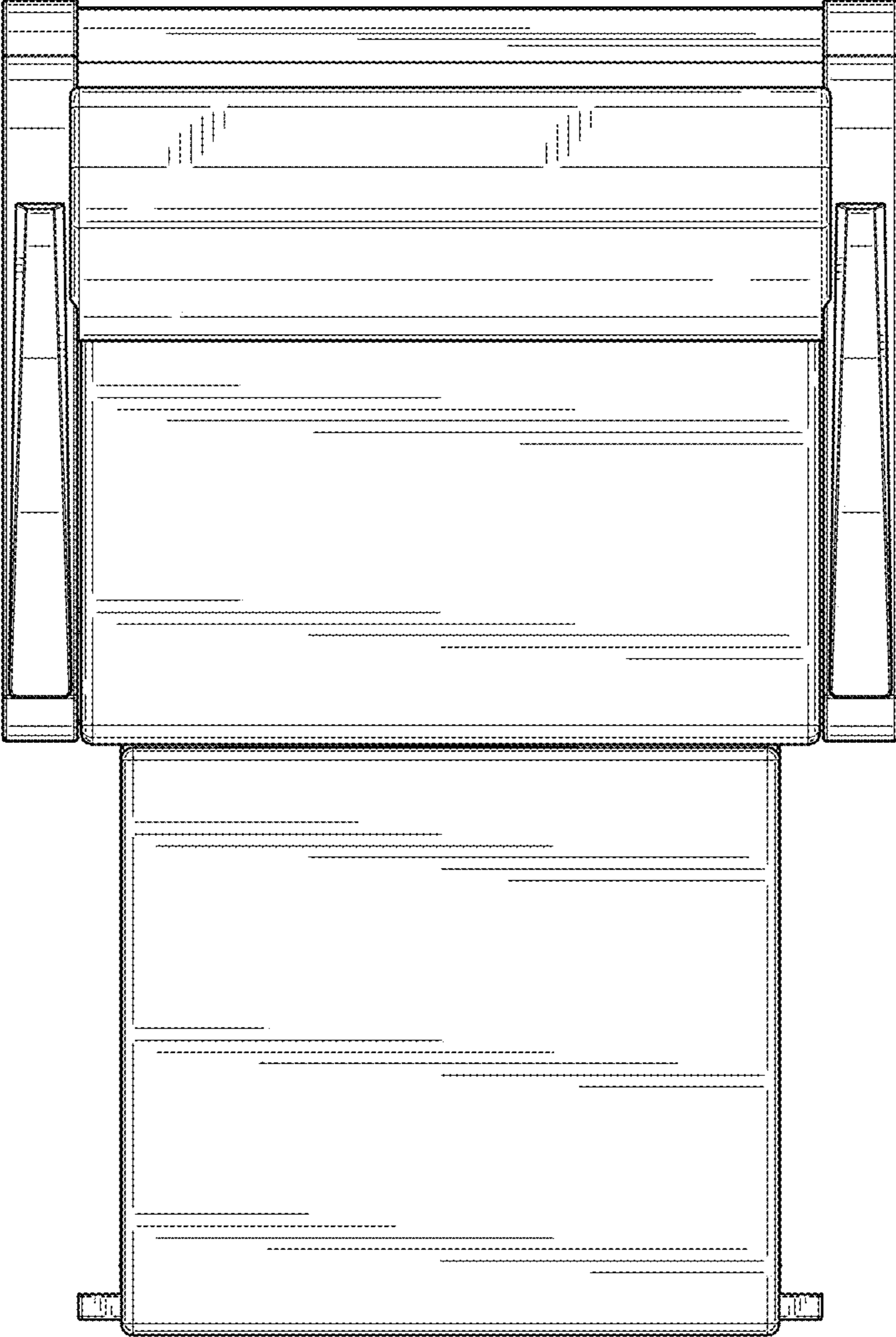
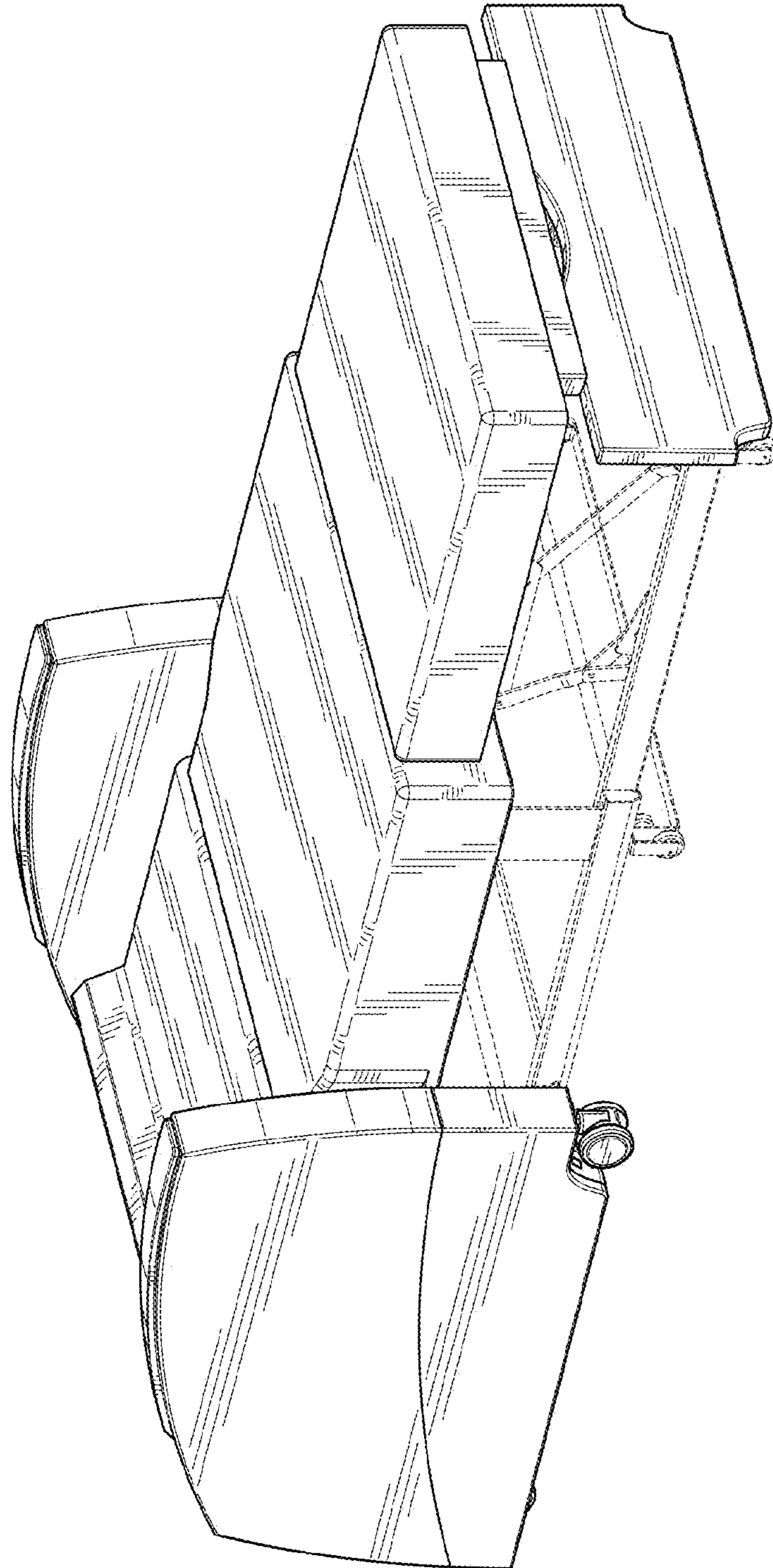


FIG. 46

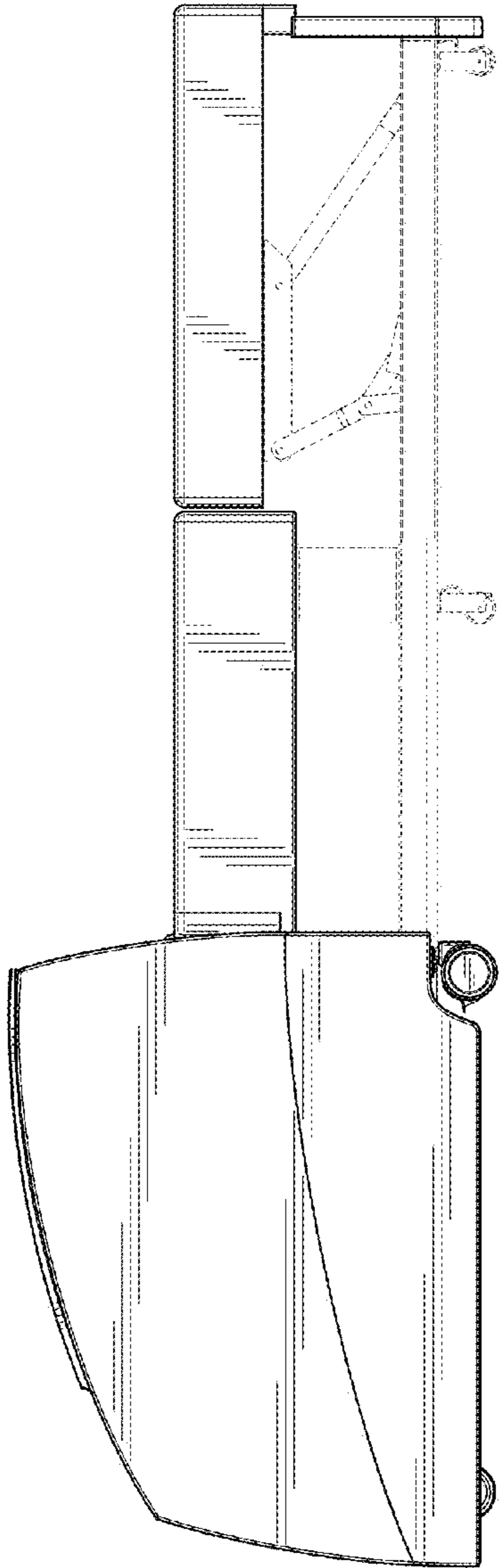


**FIG. 48**

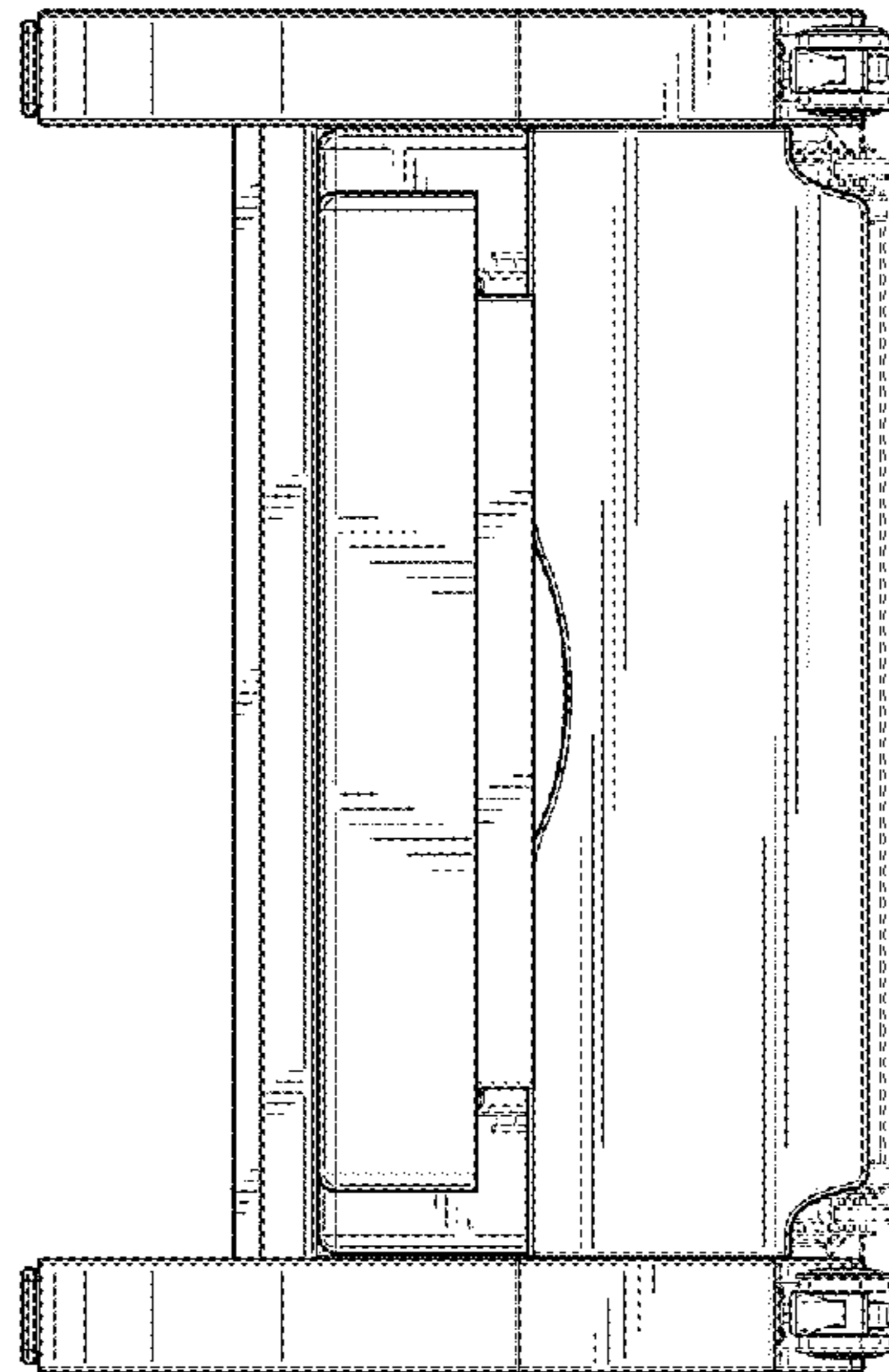




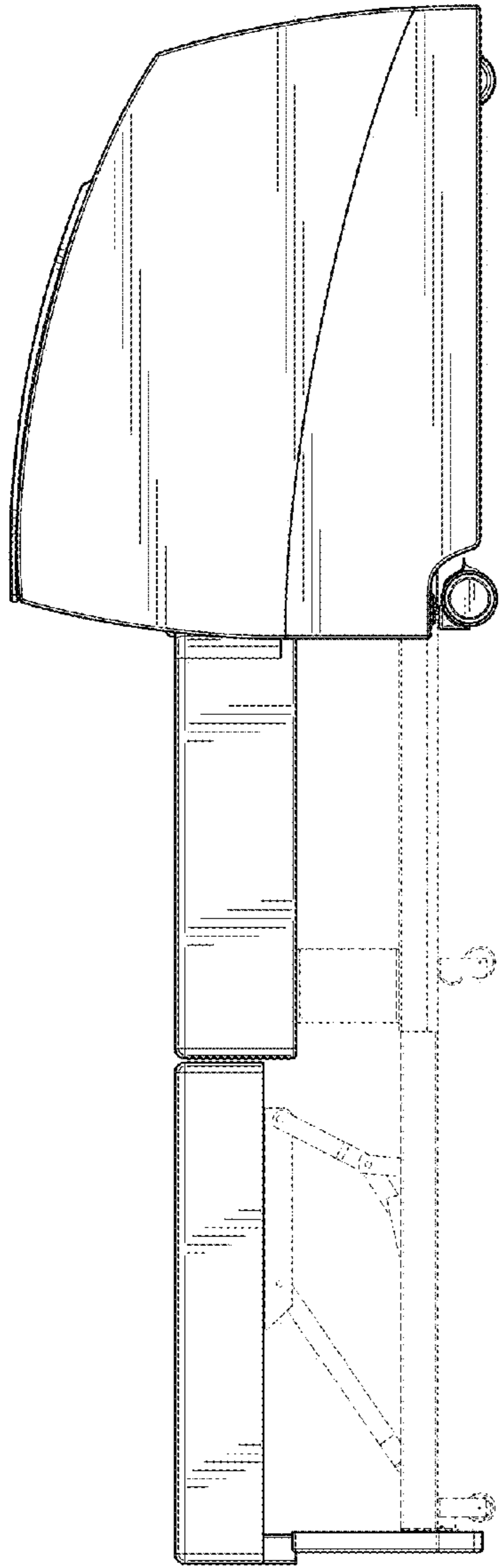
**FIG. 49**



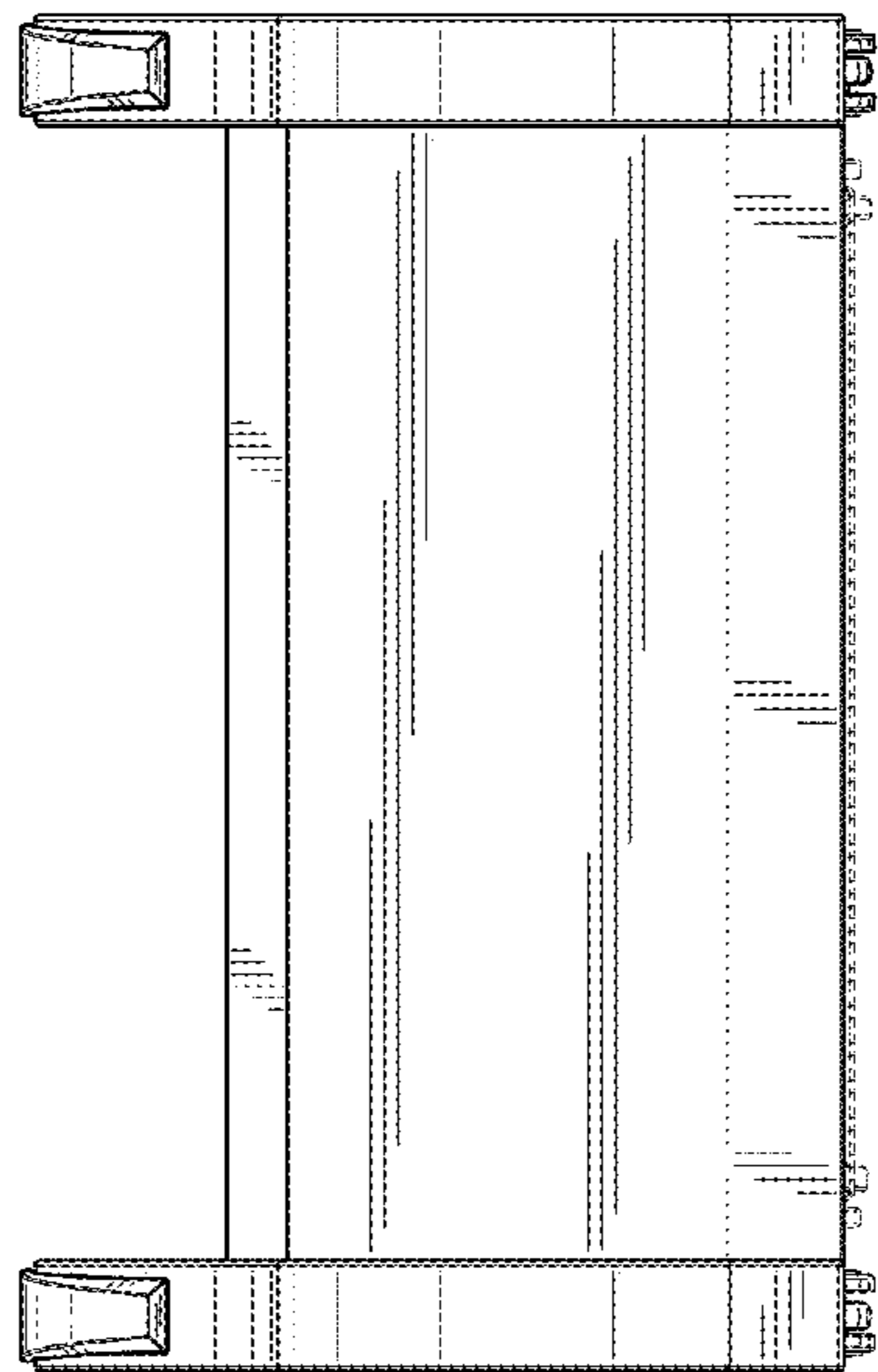
**FIG. 50**



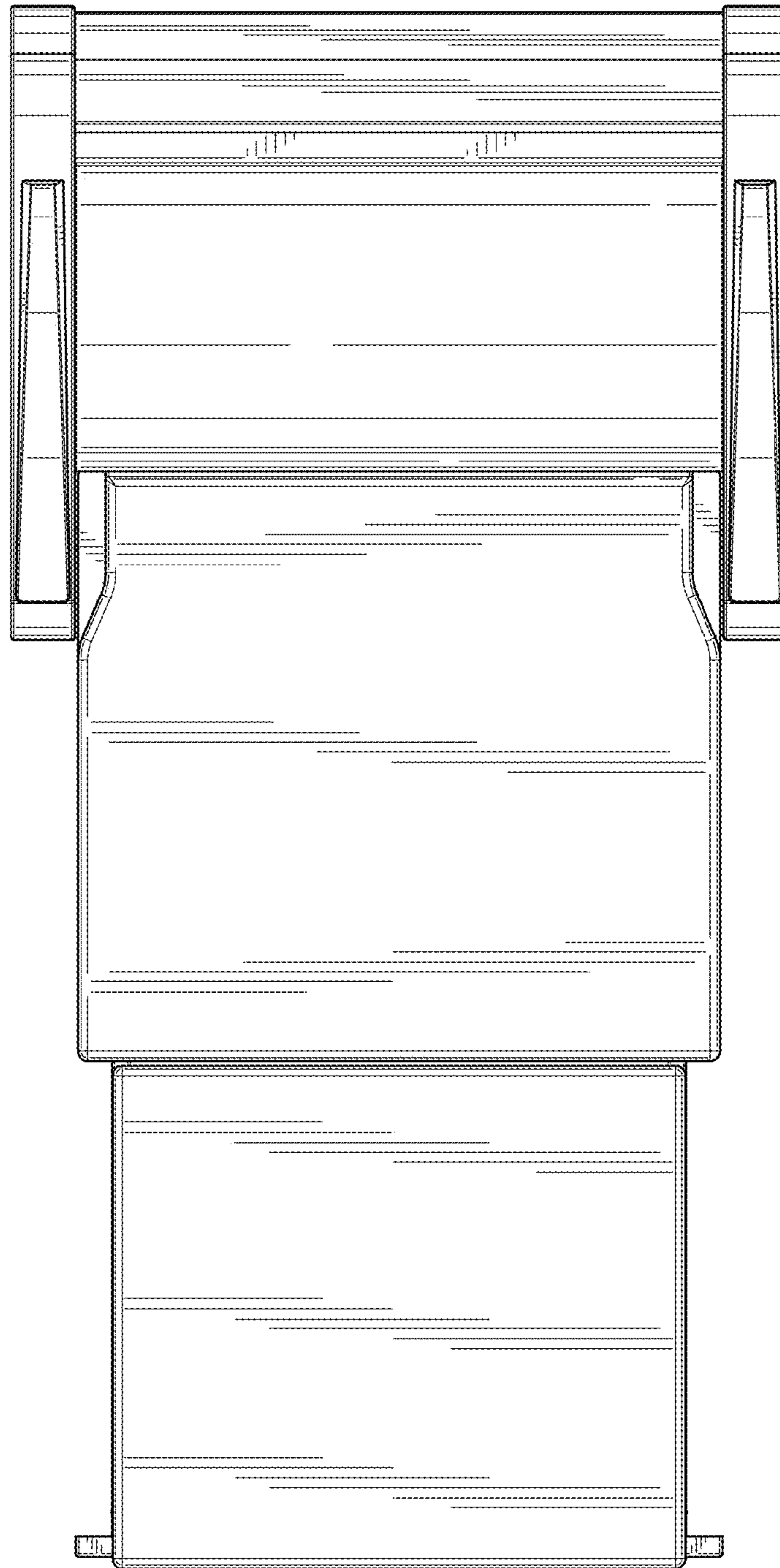
**FIG. 51**



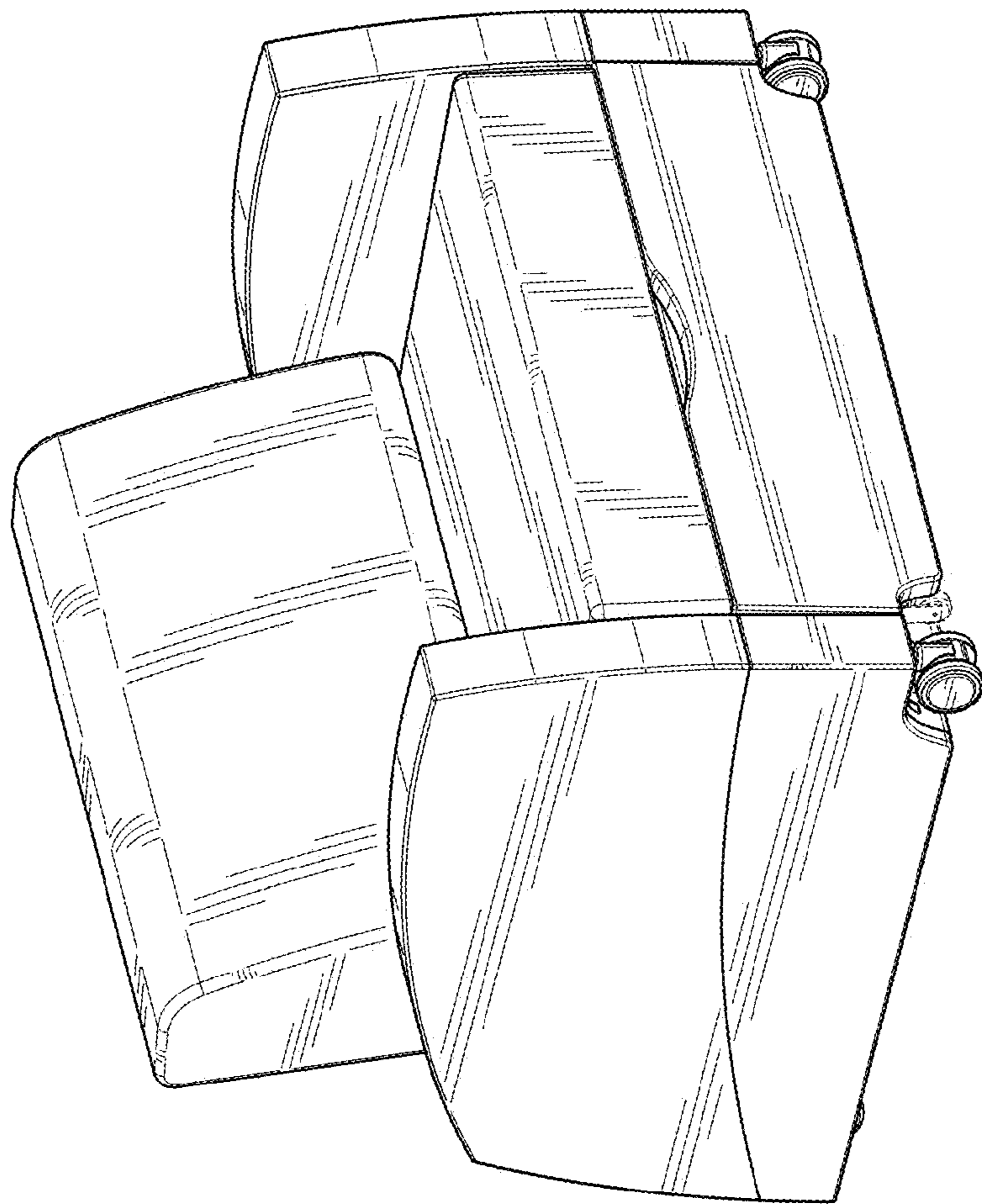
**FIG. 52**



**FIG. 53**



**FIG. 54**



**FIG. 55**



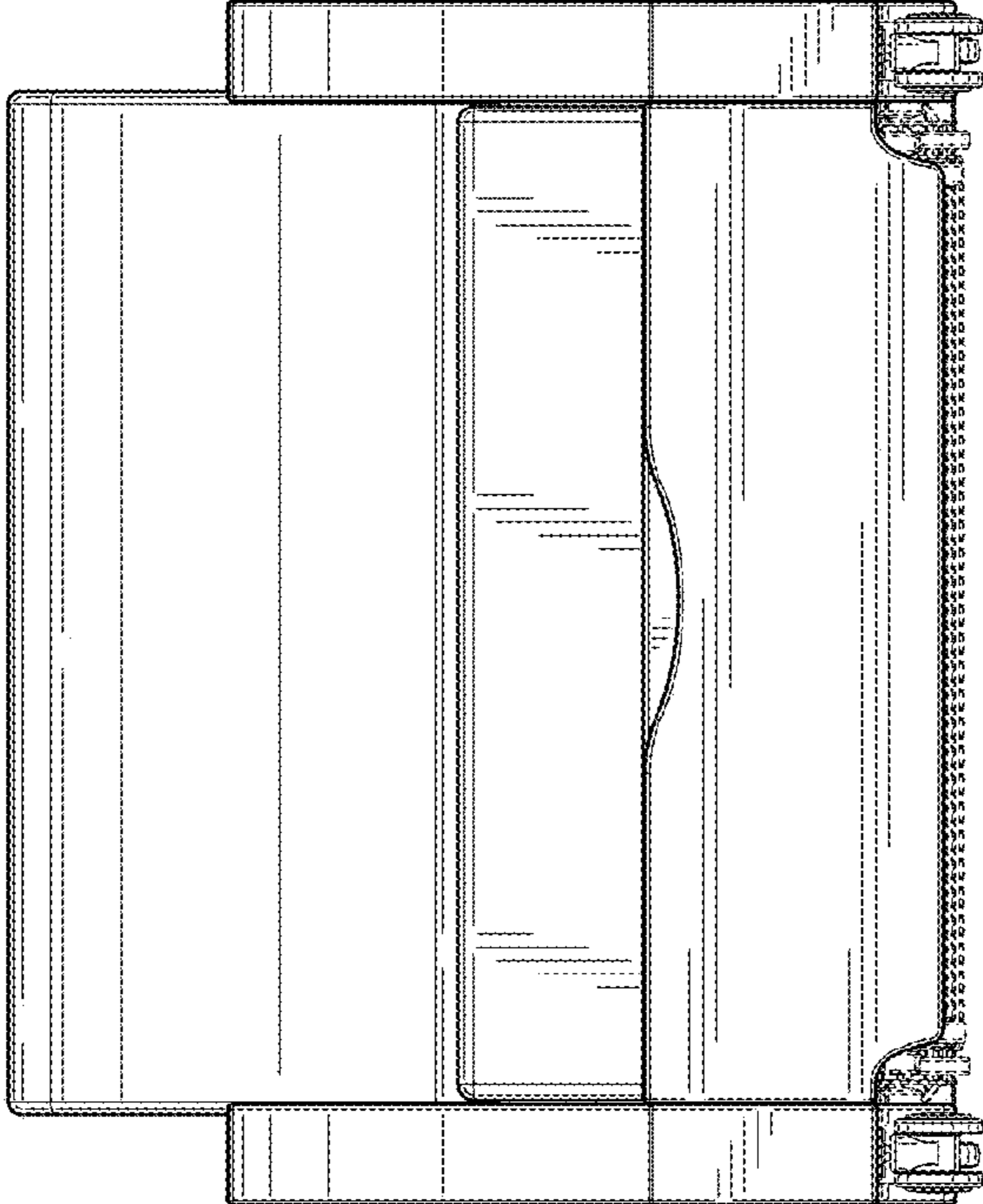


FIG. 57

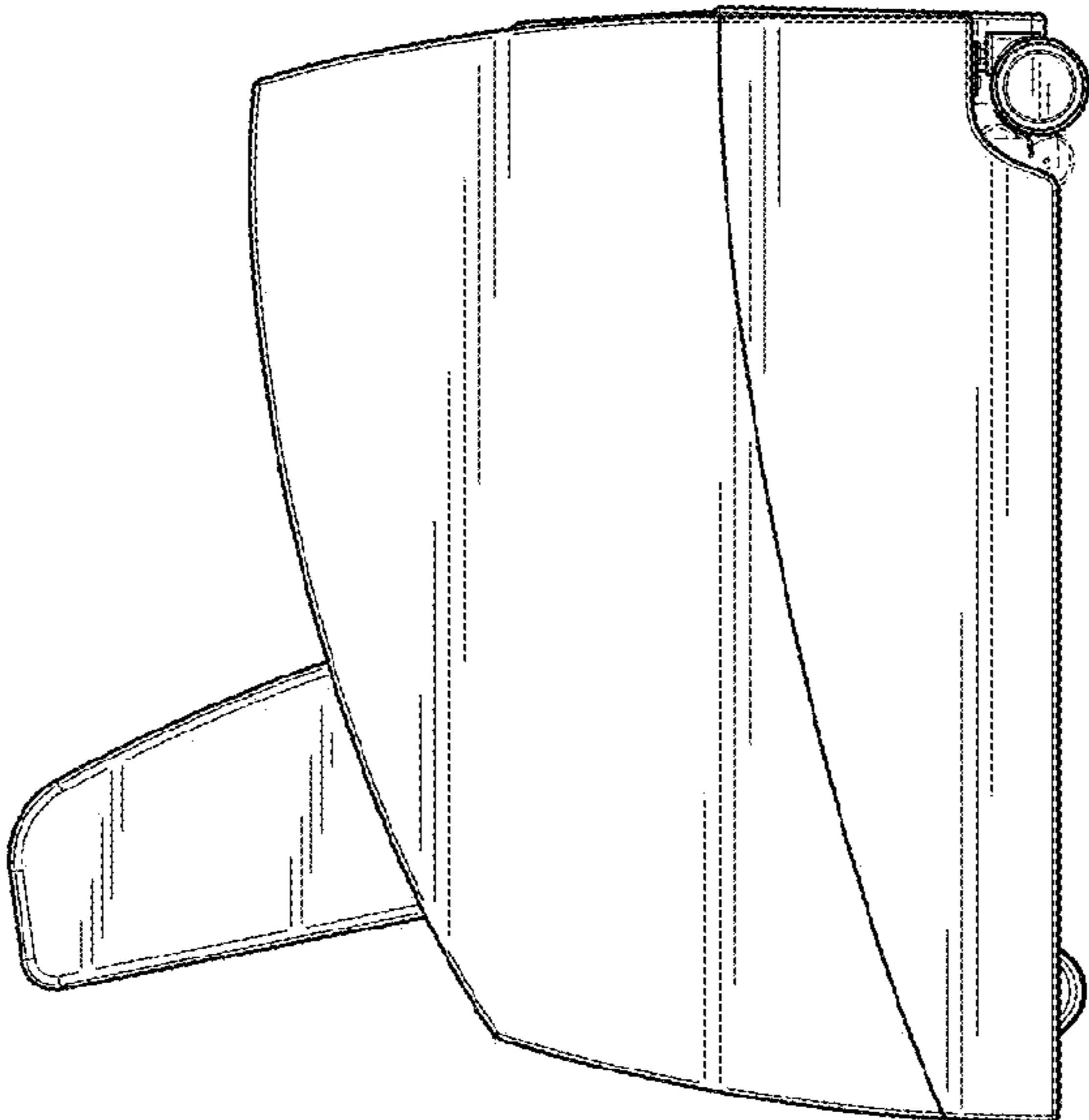


FIG. 56

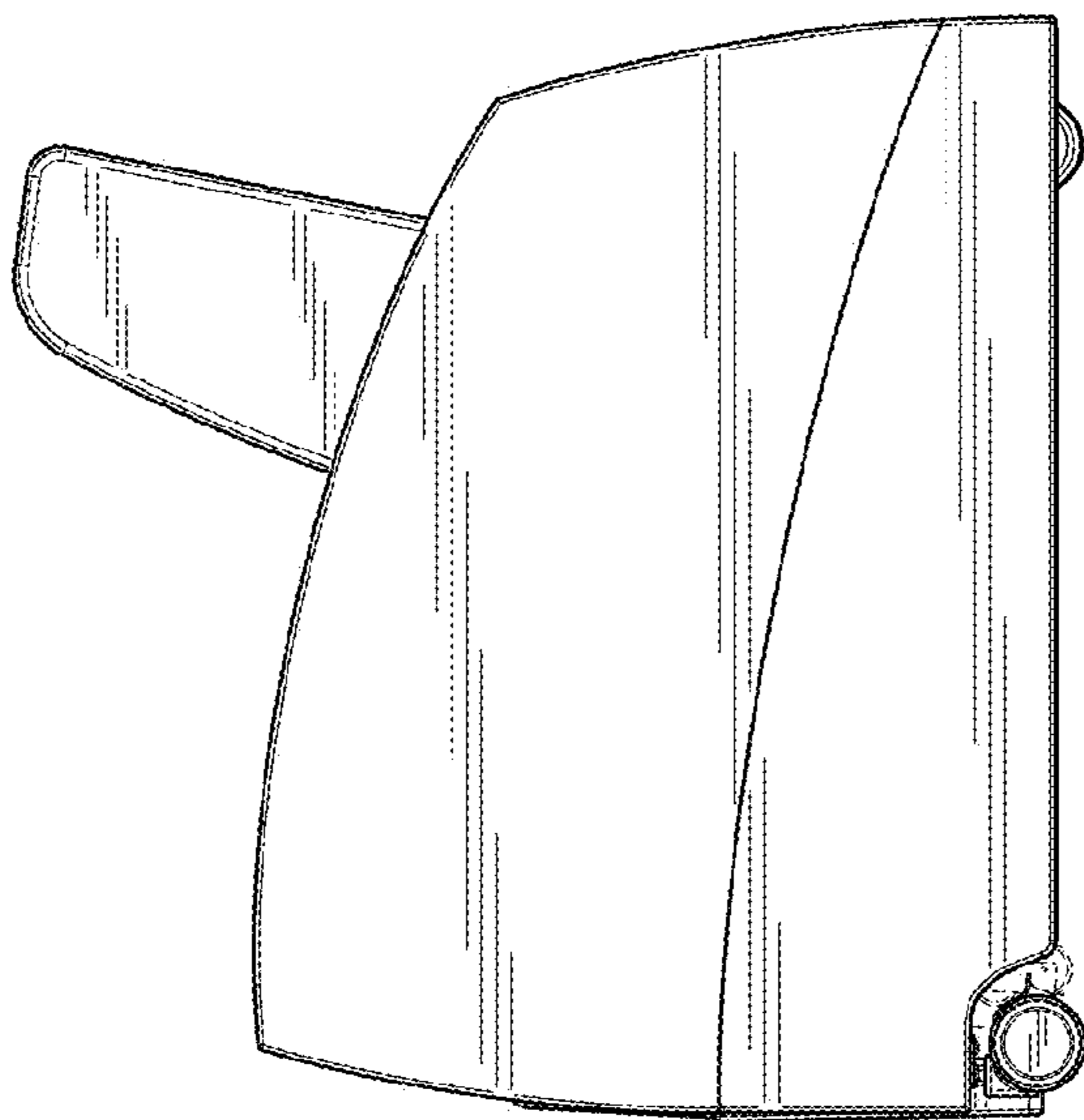


FIG. 58

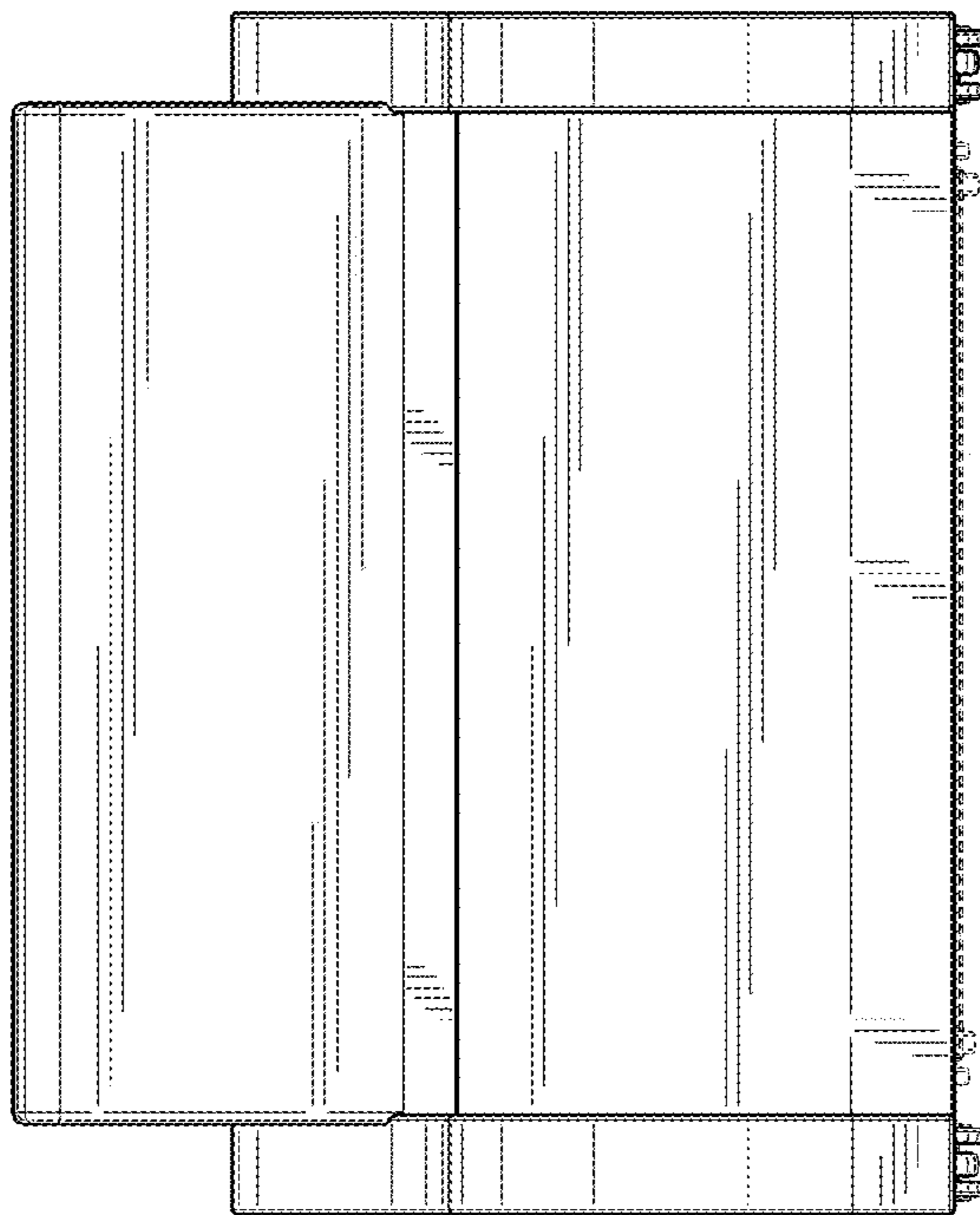


FIG. 59

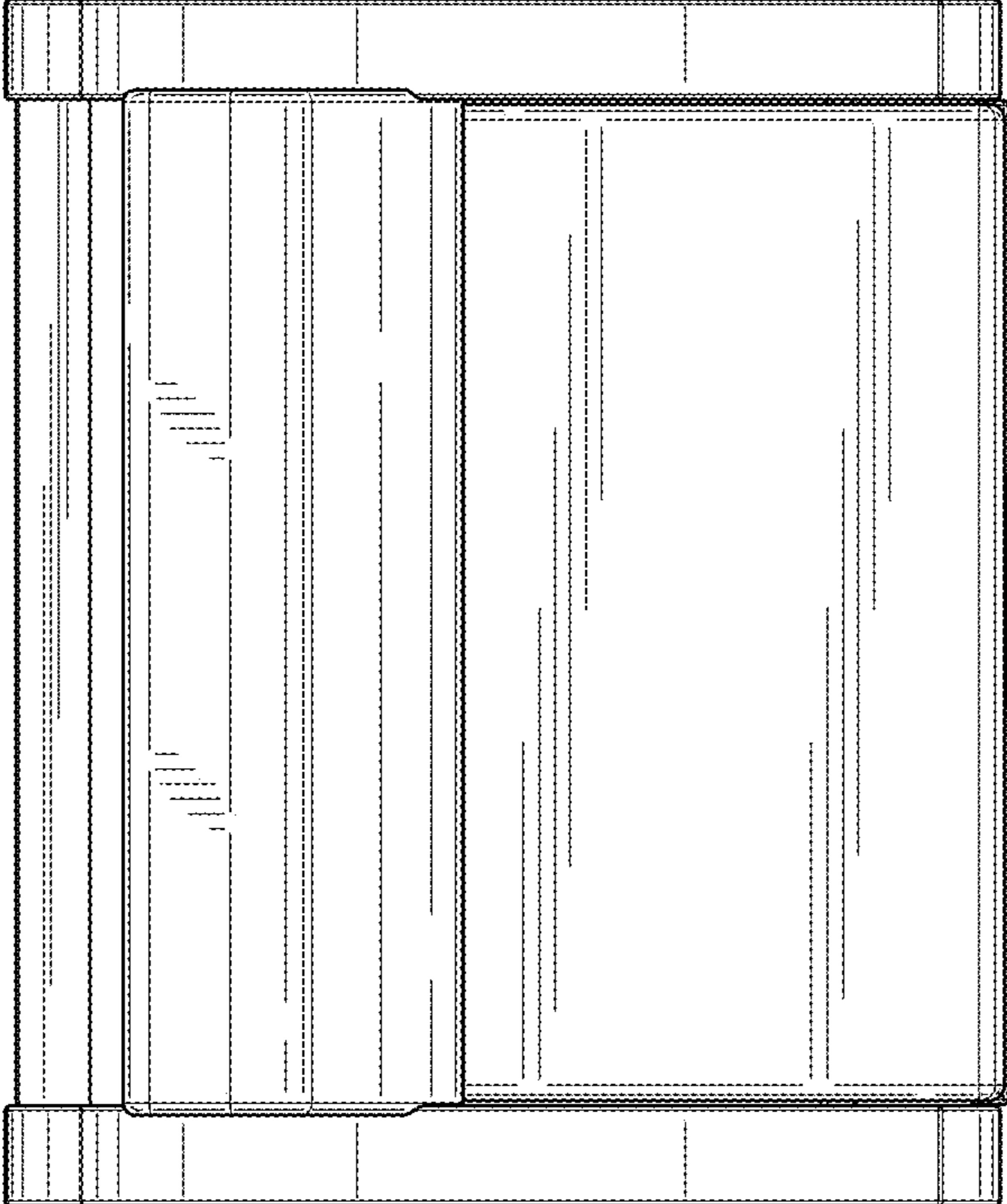
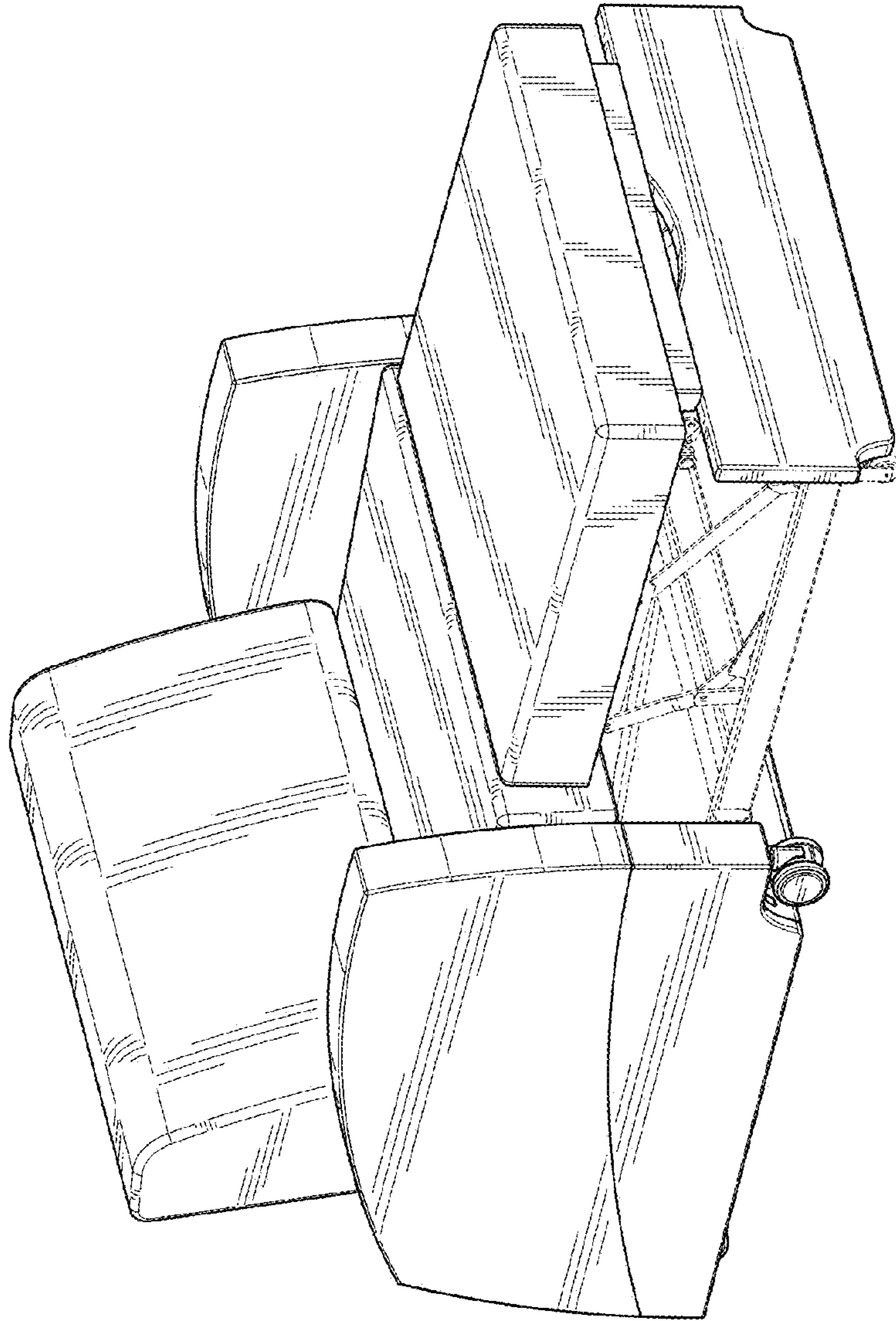


FIG. 60



**FIG. 61**

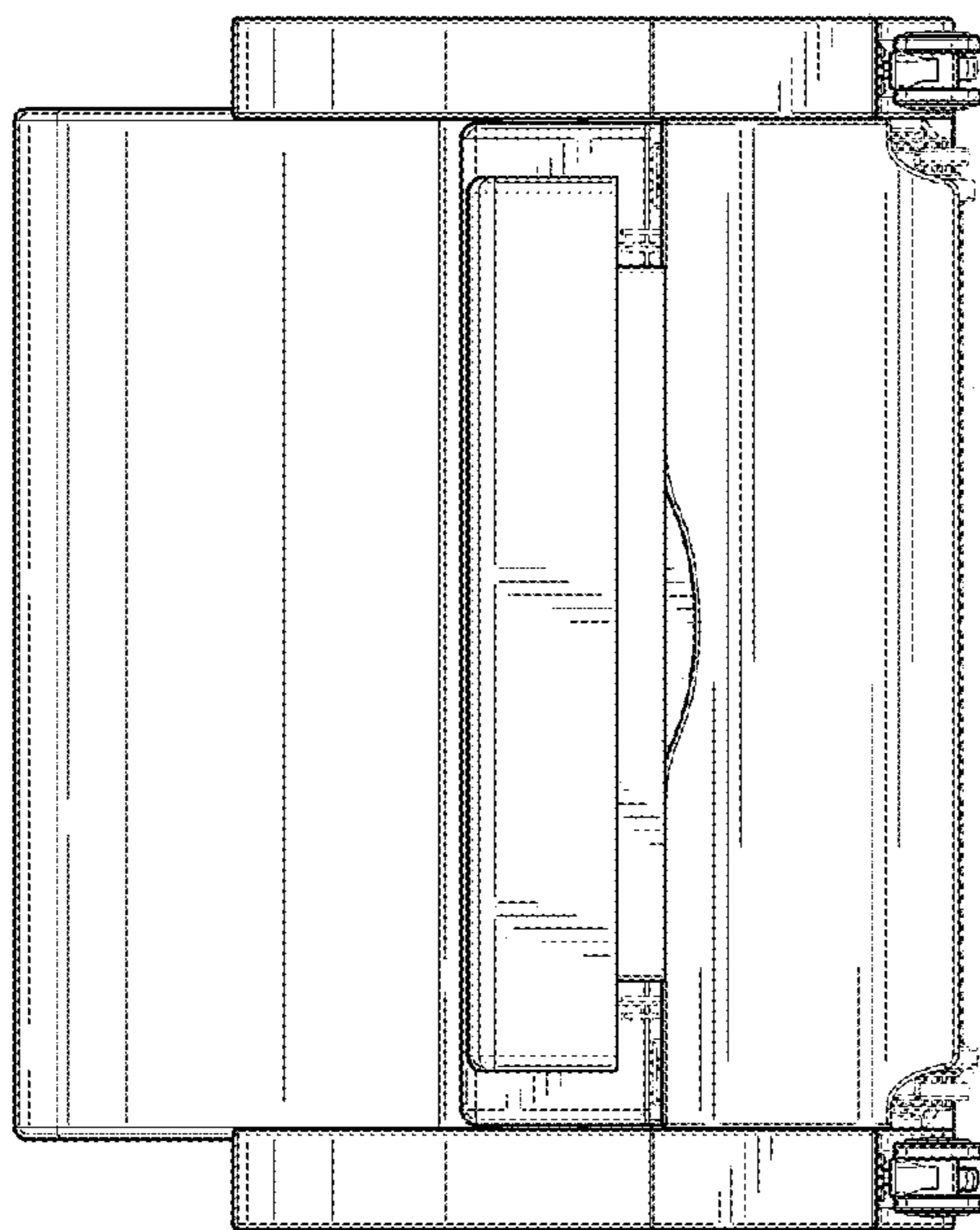


FIG. 63

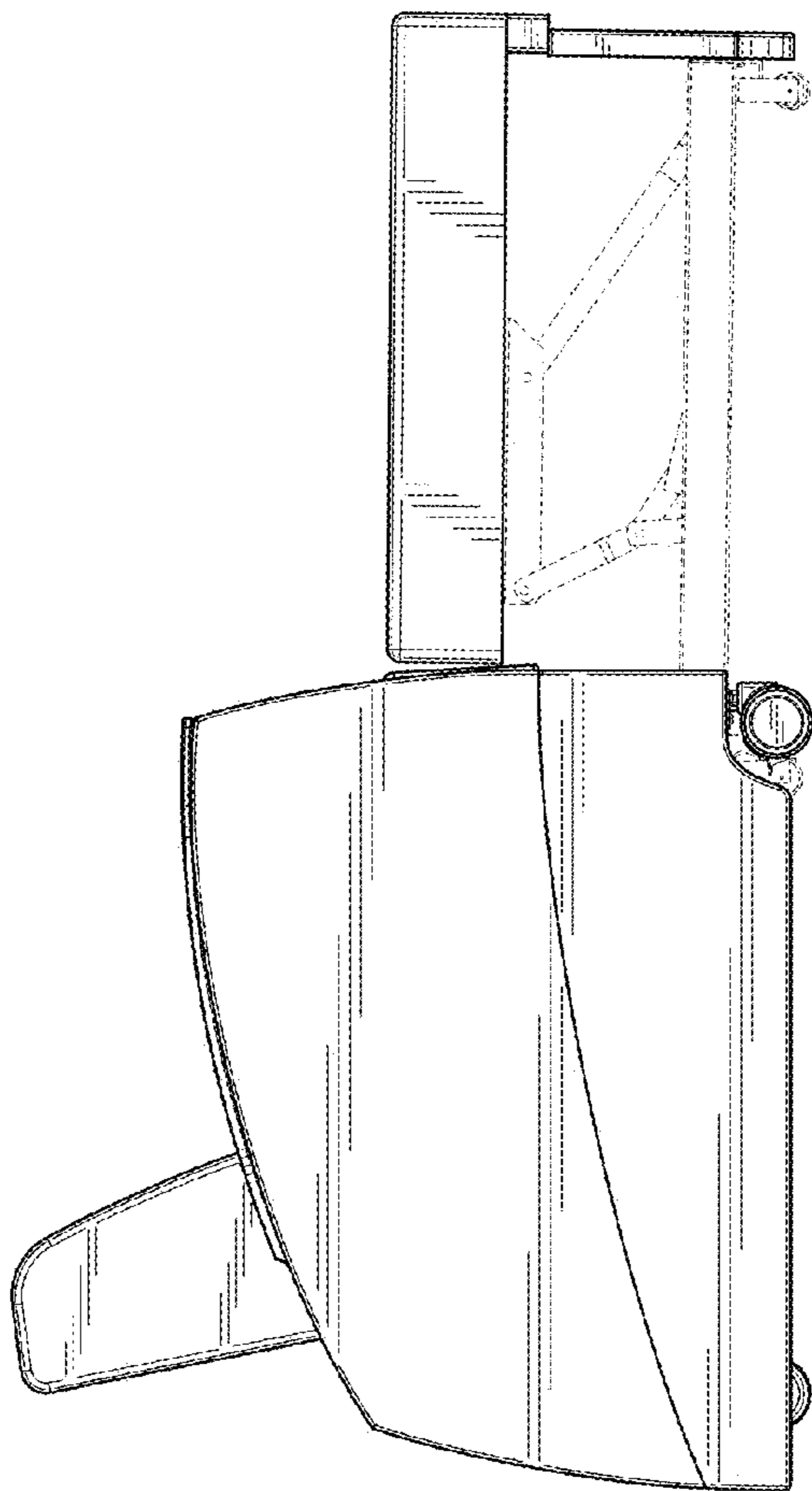


FIG. 62



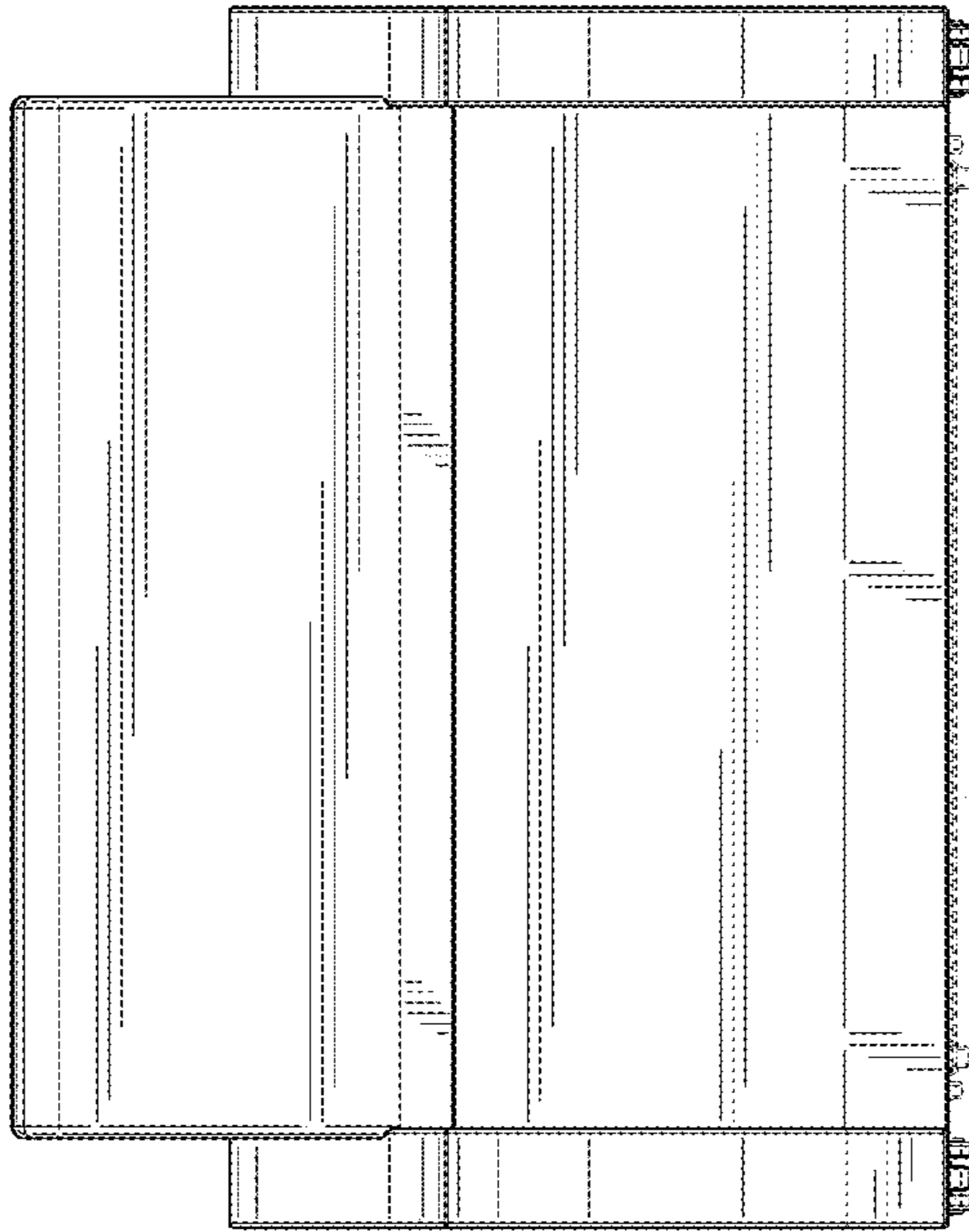


FIG. 65

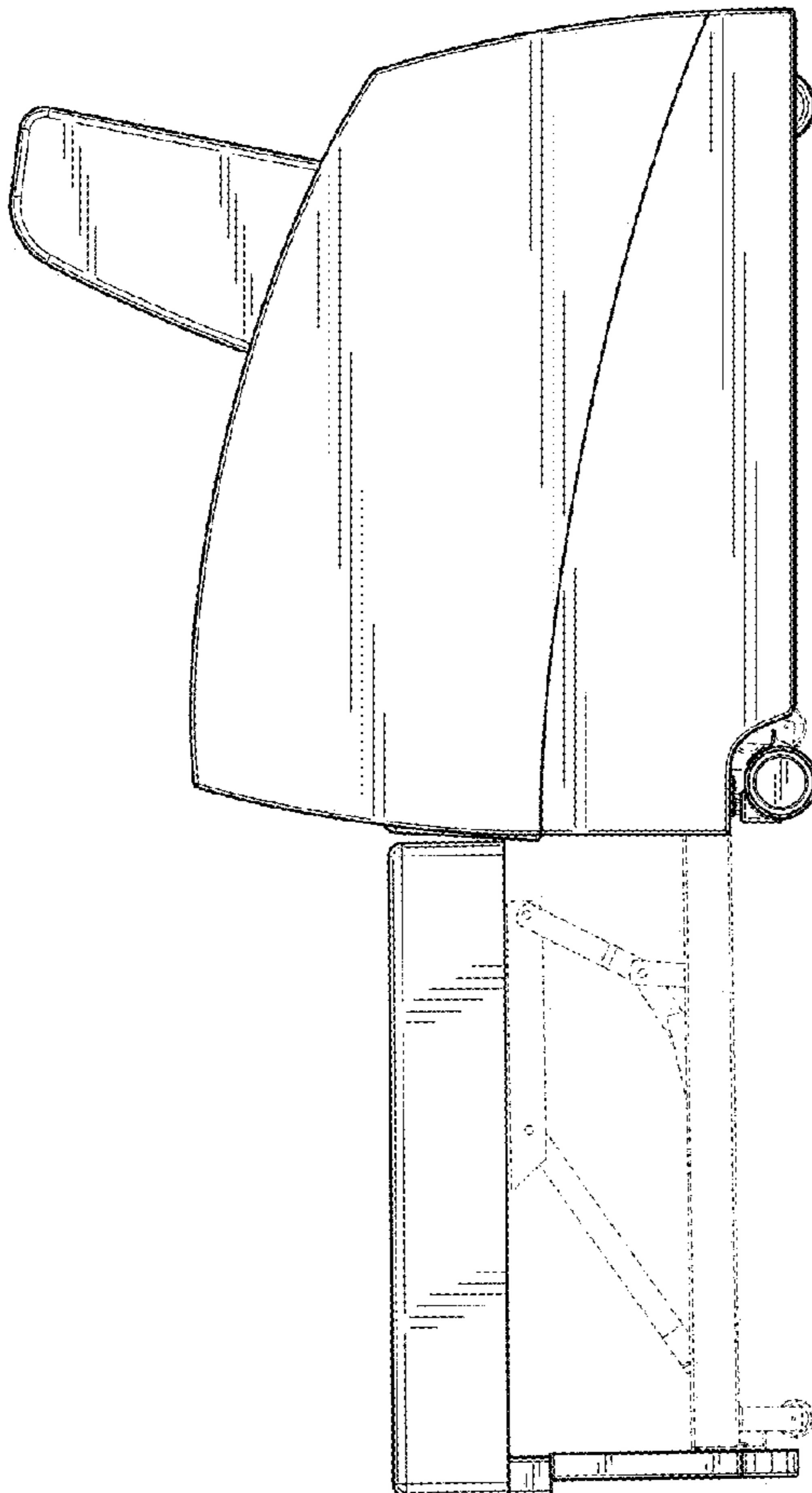
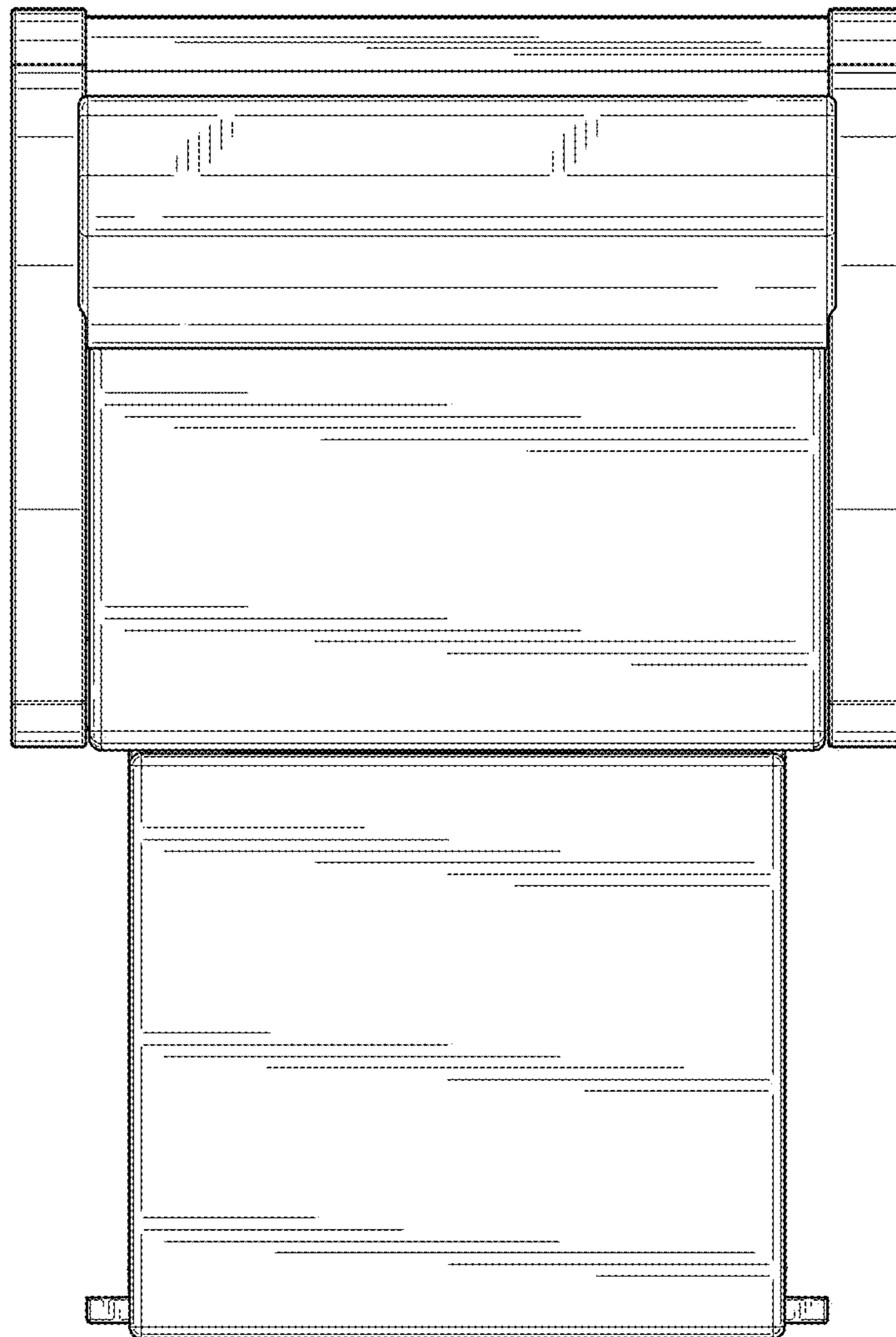
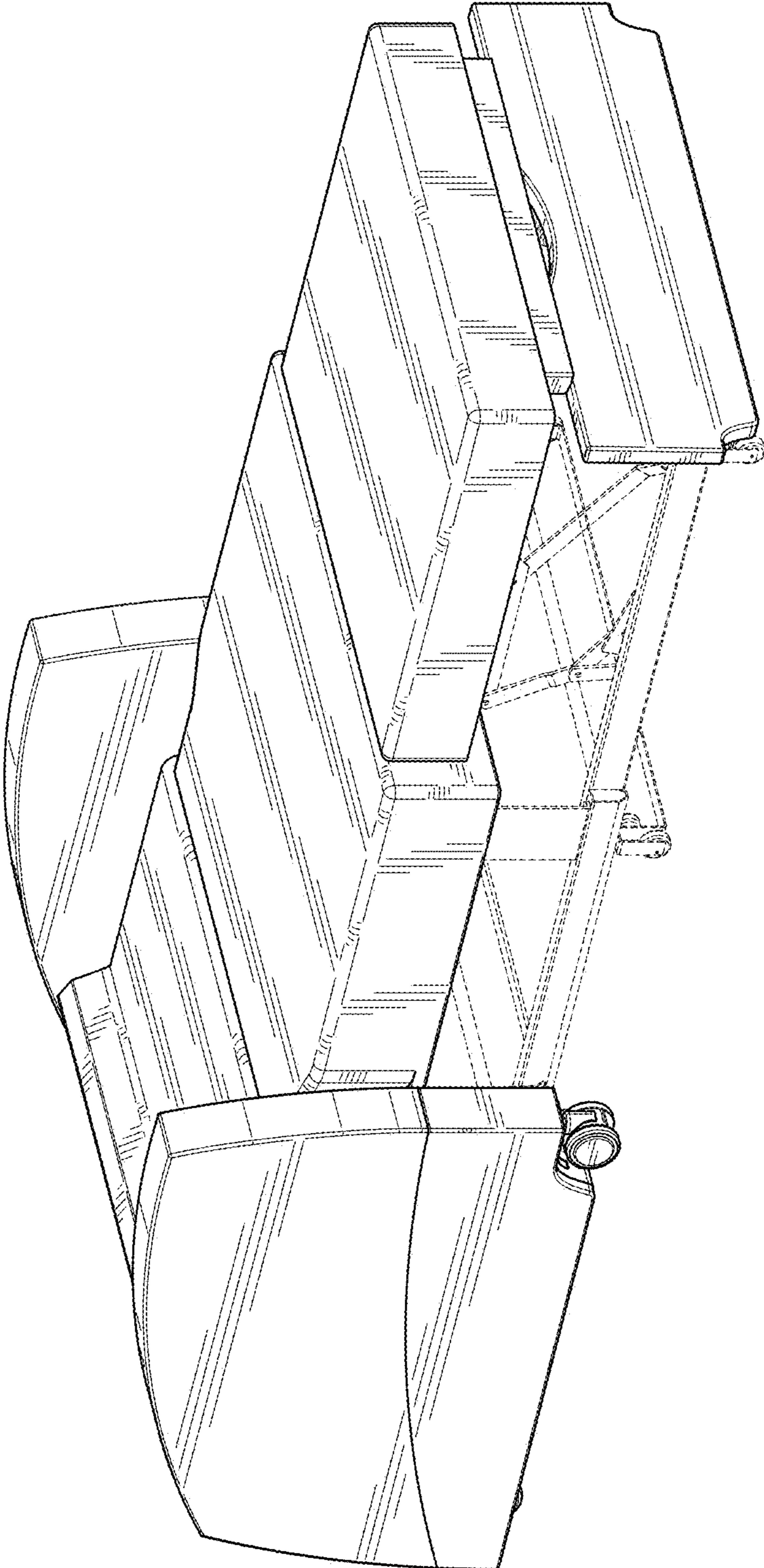


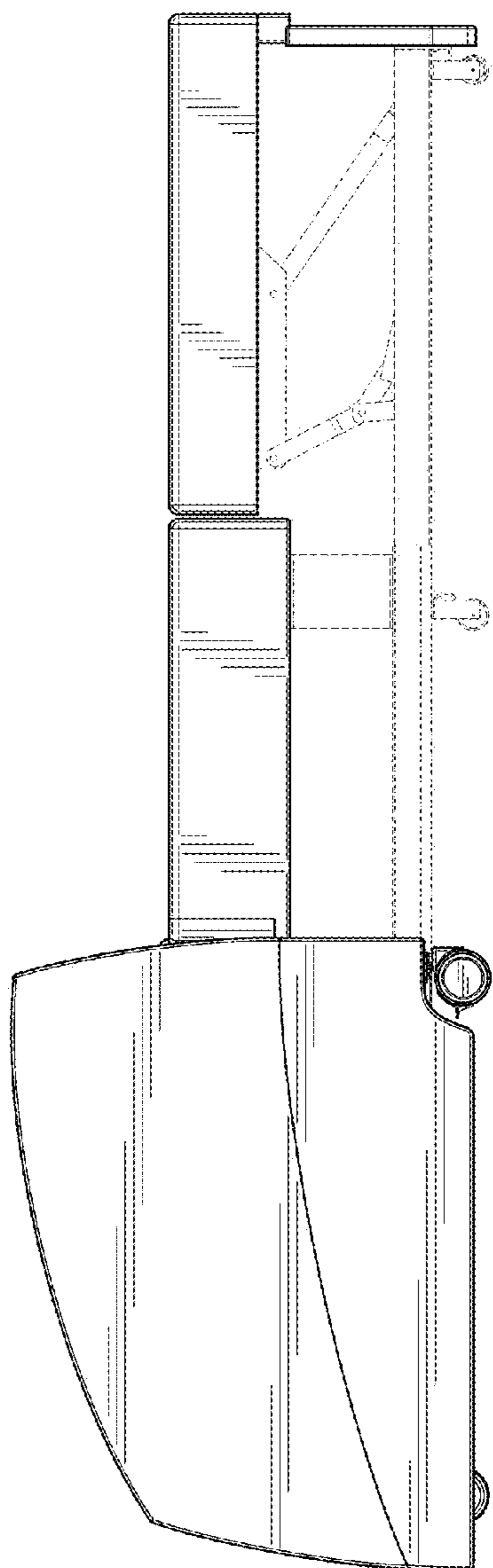
FIG. 64



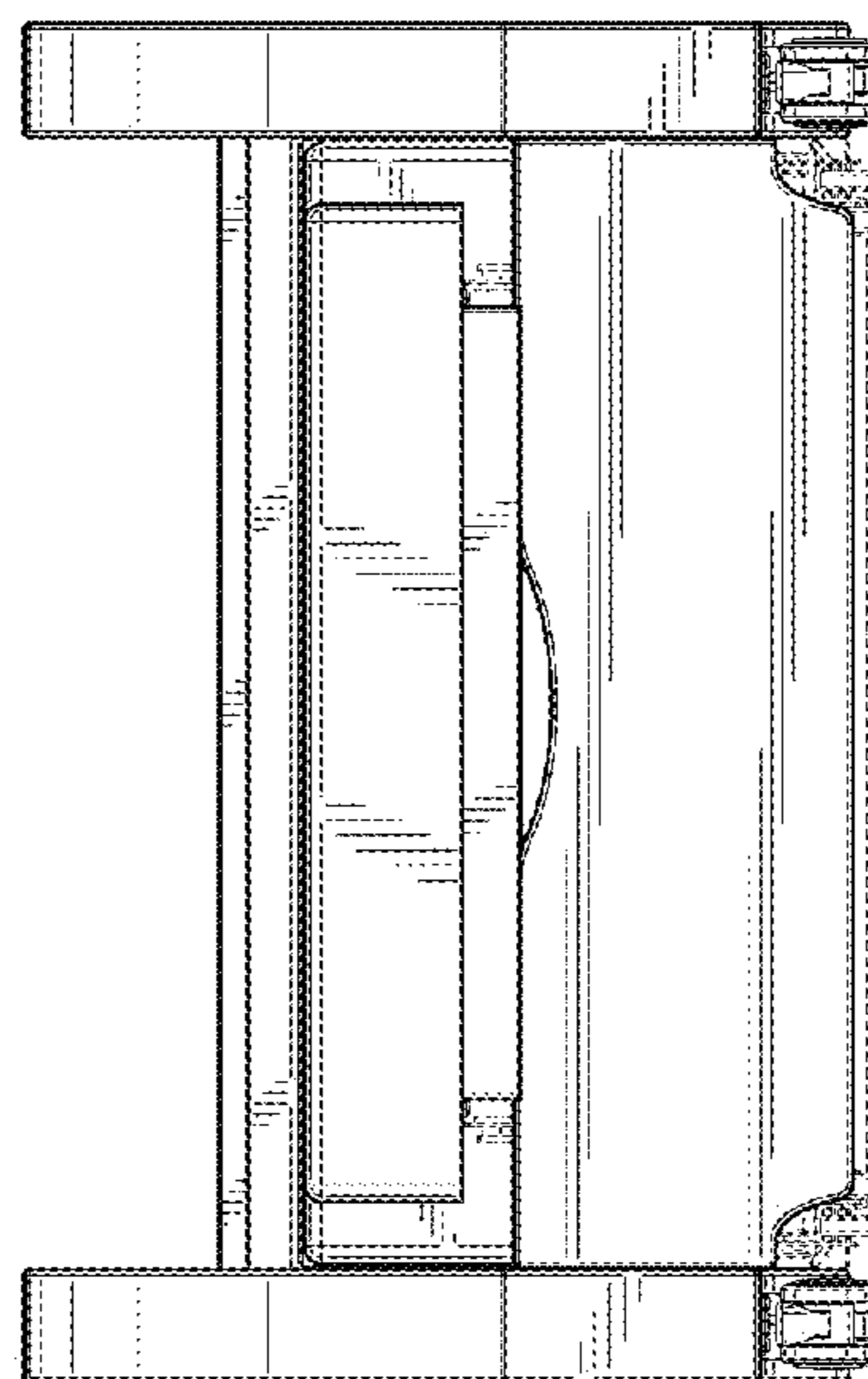
**FIG. 66**



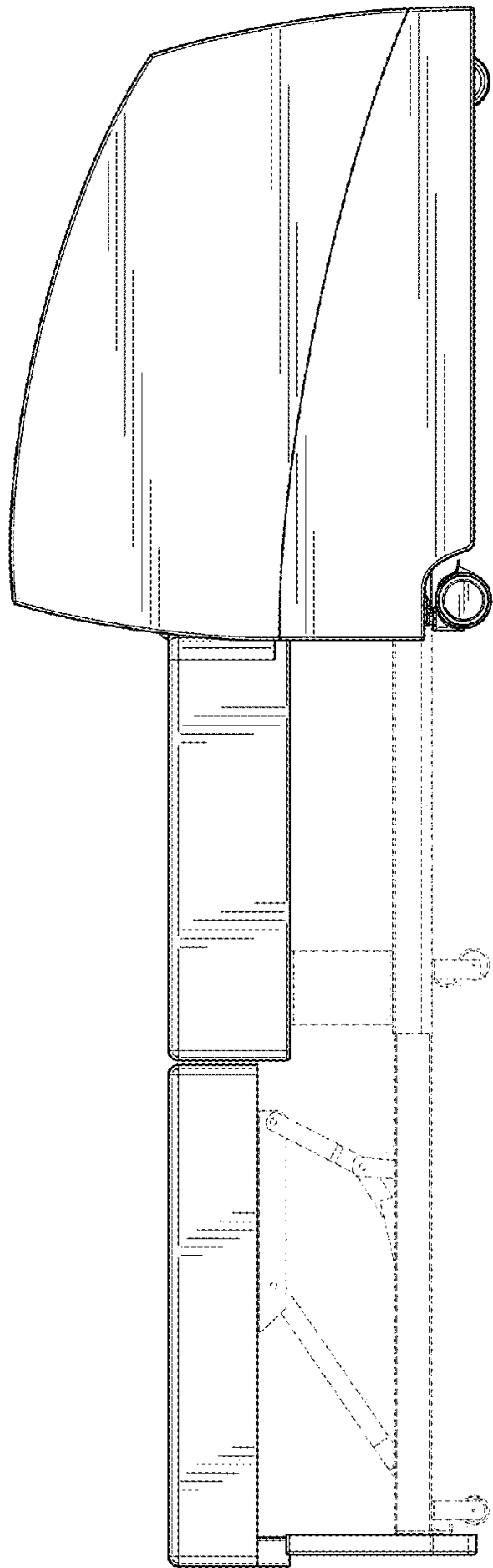
**FIG. 67**



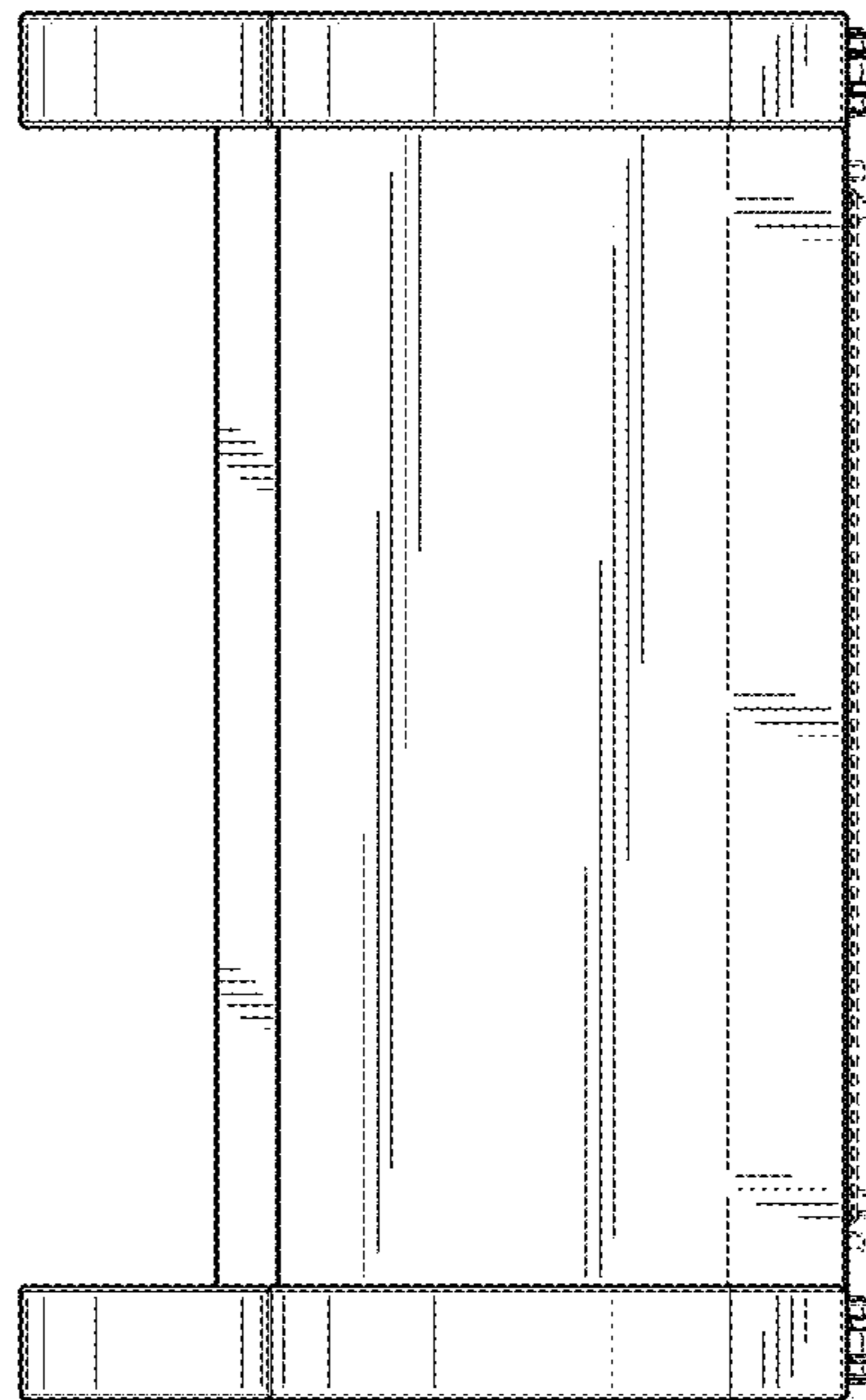
**FIG. 68**



**FIG. 69**

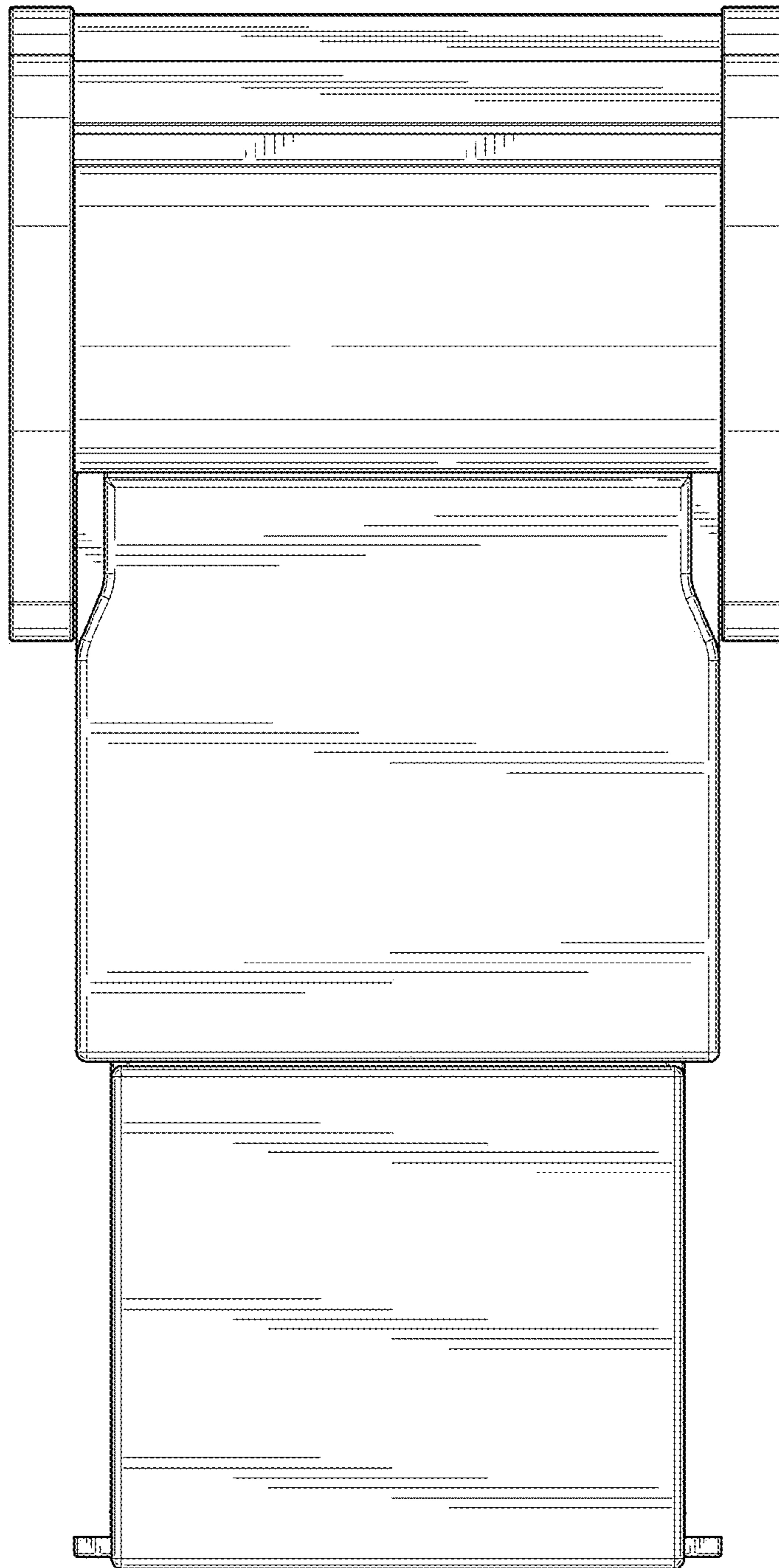


**FIG. 70**



**FIG. 71**





**FIG. 72**