



US00D741070S

(12) **United States Design Patent**  
**Martin et al.**

(10) **Patent No.:** **US D741,070 S**

(45) **Date of Patent:** **\*\* Oct. 20, 2015**

(54) **DISPLAY**

(71) Applicant: **Hewlett-Packard Development Company, L.P.**, Houston, TX (US)  
(72) Inventors: **Randall W. Martin**, The Woodlands, TX (US); **Matthew G. Leck**, London (GB); **Marcus A. Hoggarth**, St. Albans (GB)  
(73) Assignee: **Hewlett-Packard Development Company, L.P.**, Houston, TX (US)

(\*\*) Term: **14 Years**

(21) Appl. No.: **29/436,056**

(22) Filed: **Oct. 31, 2012**

(51) **LOC (10) Cl.** ..... **06-07**

(52) **U.S. Cl.**  
USPC ..... **D6/310**; D6/311; D6/312; D14/375

(58) **Field of Classification Search**  
USPC ..... D6/300–314; D8/354, 355, 366, 349, D8/380, 381; D14/324, 432, 447, 451, D14/452, 299, 375, 376, 209.1, 211; 248/441.1, 466, 469, 472, 473, 475.1, 248/476, 477, 480, 121, 122.1, 123.11, 248/123.2, 124.1, 124.2, 125.1–125.3, 248/125.7–125.9; D11/132, 133, 143; D20/10, 19, 40, 42, 43, 99; 40/27, 380, 40/757  
CPC .... A47B 23/042; A47B 97/08; A47B 23/043; A47B 23/044; A47G 1/141; A47G 1/142; F16M 11/24; F16M 13/00; F16M 2200/08; G09F 1/14; G09F 1/06; G09F 1/10; G09F 5/00; Y10S 248/91; Y10S 248/92

See application file for complete search history.

(56) **References Cited**

U.S. PATENT DOCUMENTS

568,090	A *	9/1896	Lindemeyer, Jr. ....	248/459
578,325	A *	3/1897	Fleming .....	248/456
2,419,823	A *	4/1947	Cross et al. ....	40/753
2,472,405	A *	6/1949	Cross .....	248/459
2,636,702	A *	4/1953	Brody .....	248/465
2,805,504	A *	9/1957	Stein .....	40/603
2,881,662	A *	4/1959	Harris .....	248/472
3,758,065	A *	9/1973	Ranseen .....	248/459
3,785,605	A *	1/1974	Parekh .....	248/455

(Continued)

OTHER PUBLICATIONS

Tablet case, available Sep. 27, 2012, [online], [site visited Oct. 9, 2014]. Available from internet, <URL: <http://www.pctabletcases.com/apple-ipad-mini-cases-accessories-guide/>>.\*

(Continued)

*Primary Examiner* — Cathron Brooks  
*Assistant Examiner* — Teddy Falloway  
(74) *Attorney, Agent, or Firm* — Rathe Patent IP Law

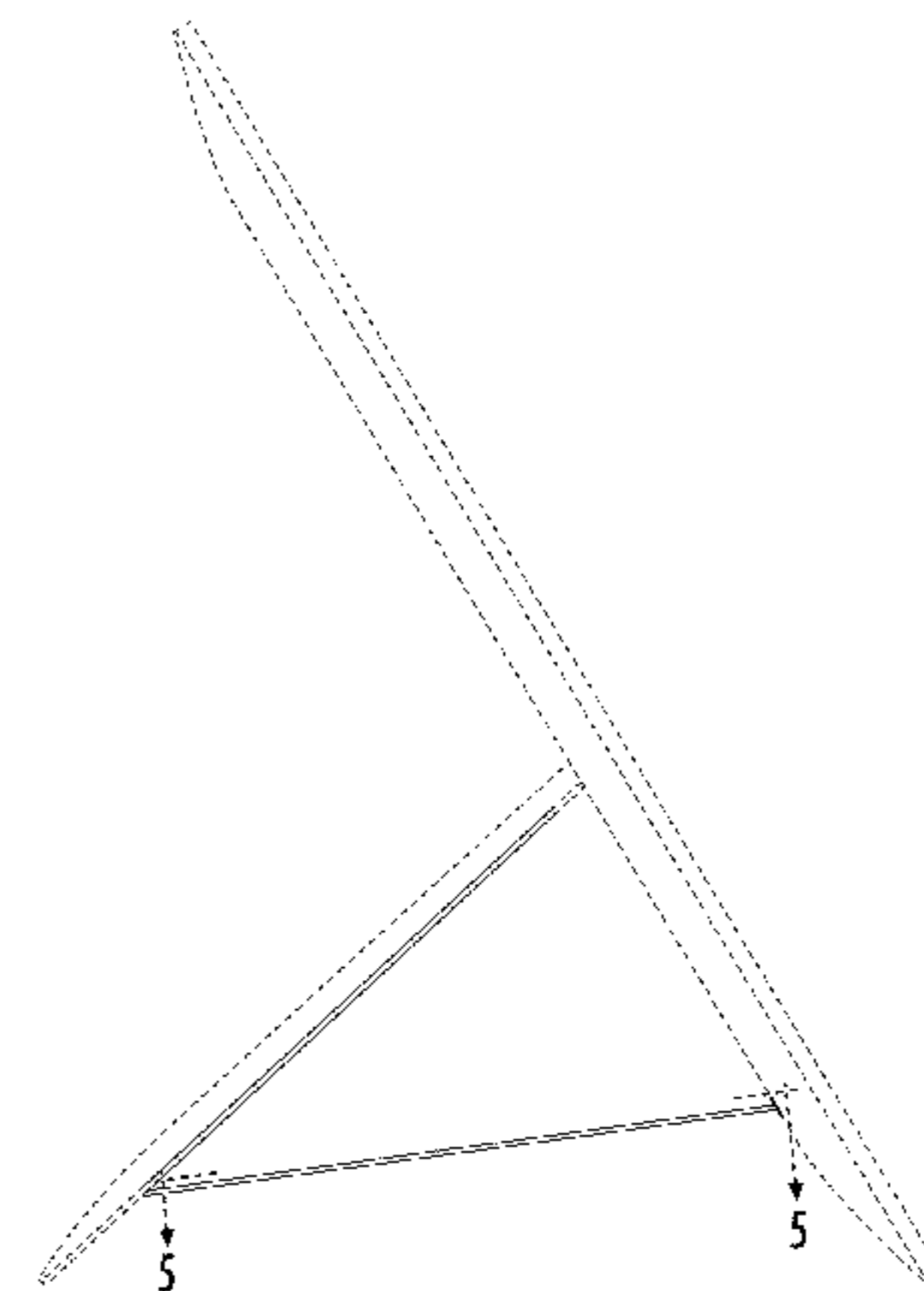
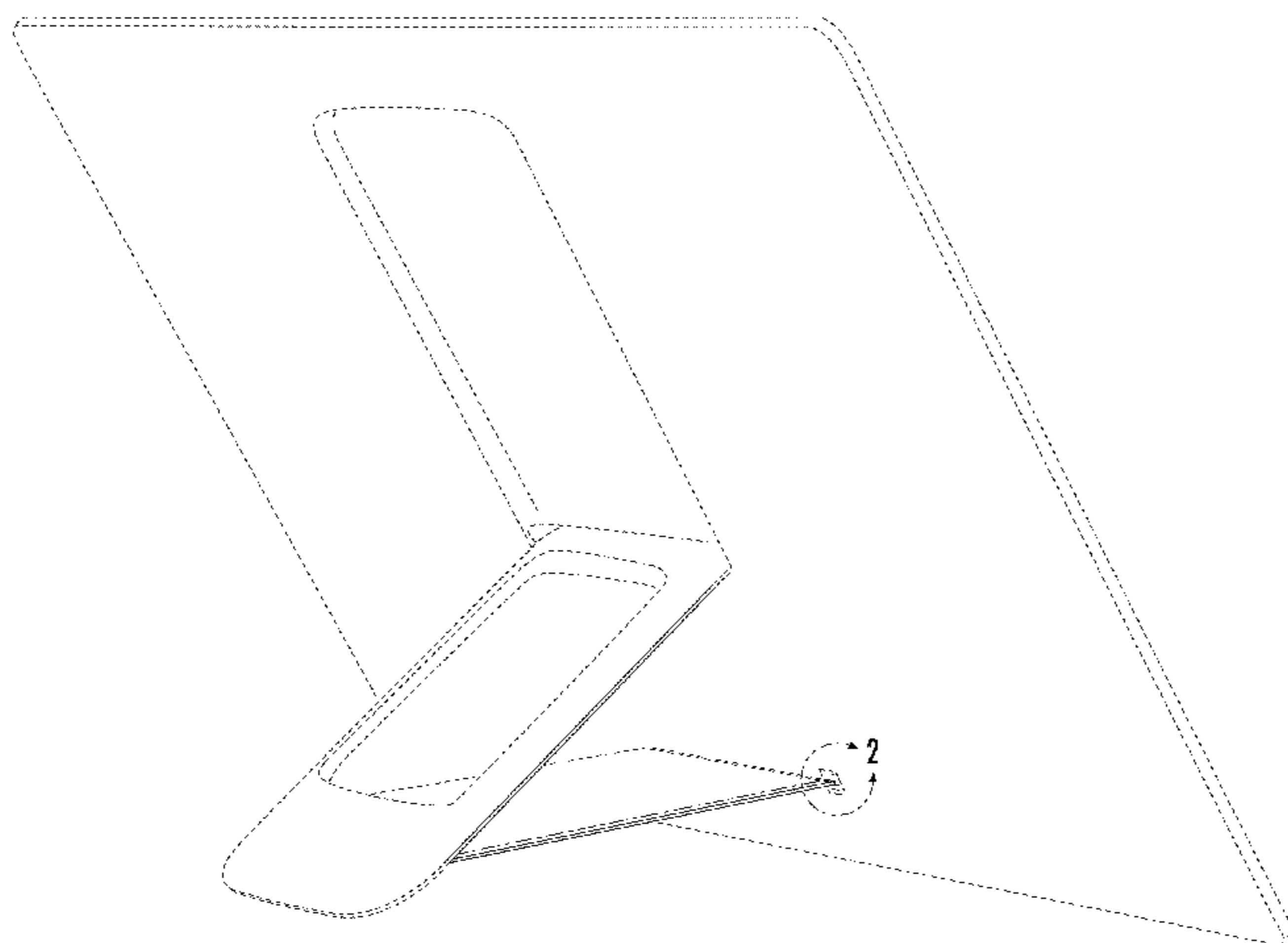
(57) **CLAIM**

We claim the ornamental design for a display, as shown and described.

**DESCRIPTION**

FIG. 1 is a rear perspective view of a display;  
FIG. 2 is an enlarged perspective view thereof taken along line 2-2 of FIG. 1;  
FIG. 3 is a rear perspective view of the display of FIG. 1 in an alternate position;  
FIG. 4 is a side view of the display;  
FIG. 5 is a sectional view of the display of FIG. 4 along line 5-5; and,  
FIG. 6 is a rear view of the display.  
The dash-dash broken lines in the drawings are environmental lines which do not form part of the claimed design. The short dash-long dash lines are boundary lines which do not form part of the claimed design.

**1 Claim, 4 Drawing Sheets**



(56)

References Cited

U.S. PATENT DOCUMENTS

5,056,250 A \* 10/1991 Weissleder et al. .... 40/539  
 D327,288 S \* 6/1992 Oreo ..... D17/99  
 D329,763 S \* 9/1992 Cuminale ..... D6/429  
 5,234,190 A \* 8/1993 Cross ..... 248/459  
 5,253,840 A \* 10/1993 Sheremetta ..... 248/452  
 5,290,002 A \* 3/1994 Cohen ..... 248/456  
 D349,515 S \* 8/1994 Pohlman et al. .... D19/88  
 5,451,026 A \* 9/1995 Smith ..... 248/469  
 5,607,135 A \* 3/1997 Yamada ..... 248/456  
 6,231,023 B1 \* 5/2001 Morton ..... 248/441.1  
 D491,733 S \* 6/2004 Manrique ..... D6/310  
 D513,008 S \* 12/2005 Takizawa et al. .... D14/447  
 D521,562 S \* 5/2006 Richter ..... D19/91  
 D540,066 S \* 4/2007 Welch ..... D6/469  
 7,293,747 B2 \* 11/2007 Wang et al. .... 248/125.2  
 D693,824 S \* 11/2013 Erdfarb ..... D14/447  
 D697,069 S \* 1/2014 Tak et al. .... D14/447  
 D705,785 S \* 5/2014 Wang ..... D14/447  
 8,844,892 B2 \* 9/2014 Robinson ..... 248/456  
 D719,169 S \* 12/2014 McBroom ..... D14/440  
 D730,091 S \* 5/2015 Chan ..... D6/681  
 2010/0213331 A1 \* 8/2010 Liou ..... 248/176.3  
 2011/0180682 A1 \* 7/2011 Tarnutzer et al. .... 248/447

2011/0253850 A1 \* 10/2011 Bau ..... 248/176.3  
 2012/0006950 A1 \* 1/2012 Vandiver ..... 248/176.3  
 2012/0168577 A1 \* 7/2012 Cheng ..... 248/176.3  
 2012/0181410 A1 \* 7/2012 Ku et al. .... 248/453  
 2012/0312953 A1 \* 12/2012 Moffa ..... 248/459

OTHER PUBLICATIONS

Kickstand, available Oct. 3, 2012, [online], [site visited Oct. 9, 2014]. Available from internet, <URL: [http://www.amazon.com/i-BLASON-Transformer-Holster-Kickstand-Clip/dp/B0098T897A/ref=sr\\_1\\_7?s=wireless&ie=UTF8&qid=1411486809&sr=1-7&keywords=i-blason.\\*](http://www.amazon.com/i-BLASON-Transformer-Holster-Kickstand-Clip/dp/B0098T897A/ref=sr_1_7?s=wireless&ie=UTF8&qid=1411486809&sr=1-7&keywords=i-blason.*)>  
 Case cover, available Dec. 15, 2012, [online], [site visited Oct. 9, 2014]. Available from internet, <URL: [http://www.xcases.com.au/superior-duty-double-layer-silicone-pc-kick-stand-combo-case-cover-for-ipad-mini.html.\\*](http://www.xcases.com.au/superior-duty-double-layer-silicone-pc-kick-stand-combo-case-cover-for-ipad-mini.html.*)>  
 Kickstand, available Jul. 26, 2012, [online], [site visited Oct. 9, 2014]. Available from internet, <URL: [http://www.amazon.com/Reiko-Protective-Silicone-Kickstand-SLCPC06-IPAD2PPWH/dp/B007BFLFDS.\\*](http://www.amazon.com/Reiko-Protective-Silicone-Kickstand-SLCPC06-IPAD2PPWH/dp/B007BFLFDS.*)>  
 iPad case, available Dec. 17, 2011, [online], [site visited Oct. 9, 2014]. Available from internet, <URL: [http://www.mobiletechreview.com/ubbthreads/showflat.php?Number=41848.\\*](http://www.mobiletechreview.com/ubbthreads/showflat.php?Number=41848.*)>

\* cited by examiner

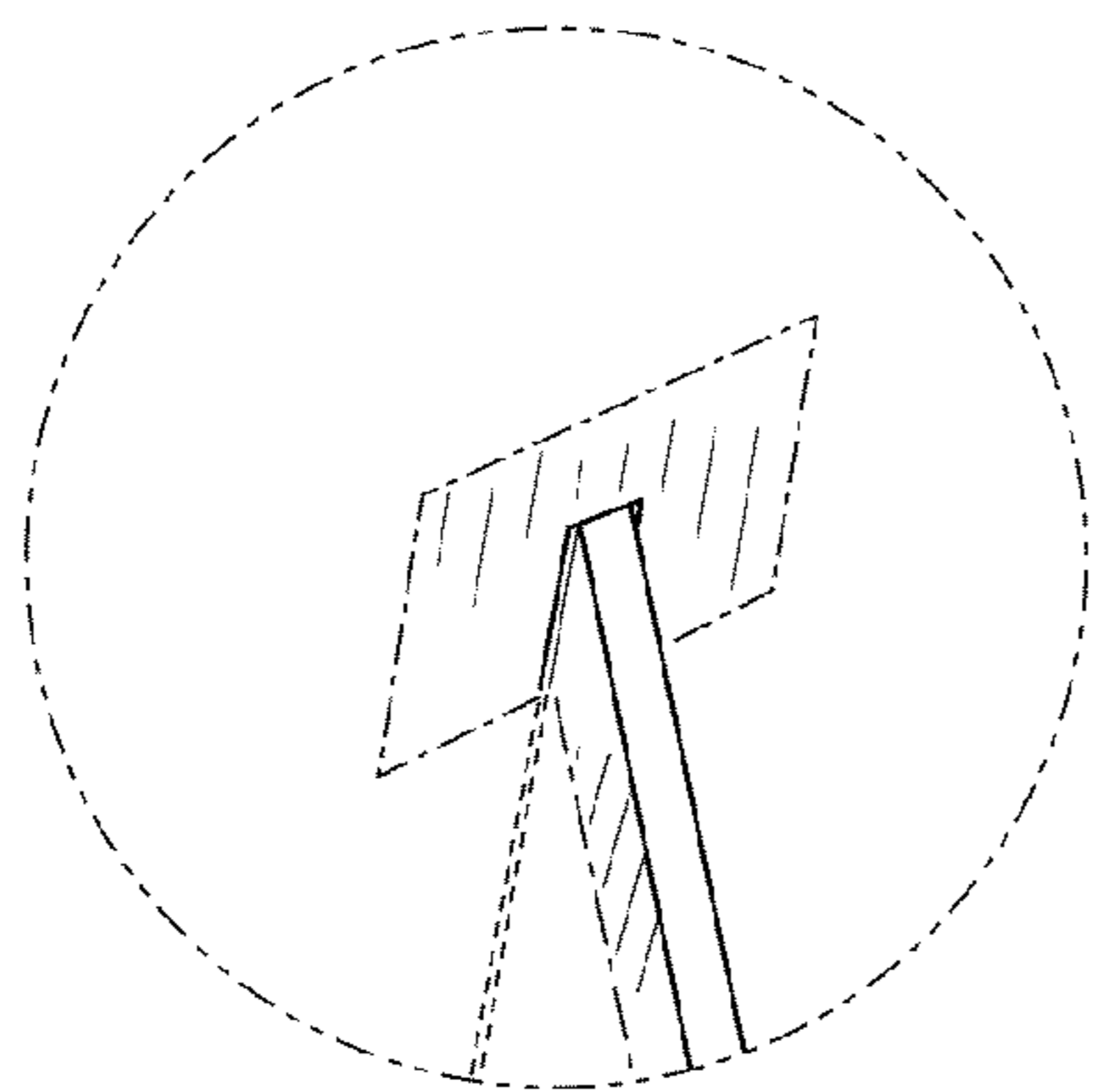


FIG. 2

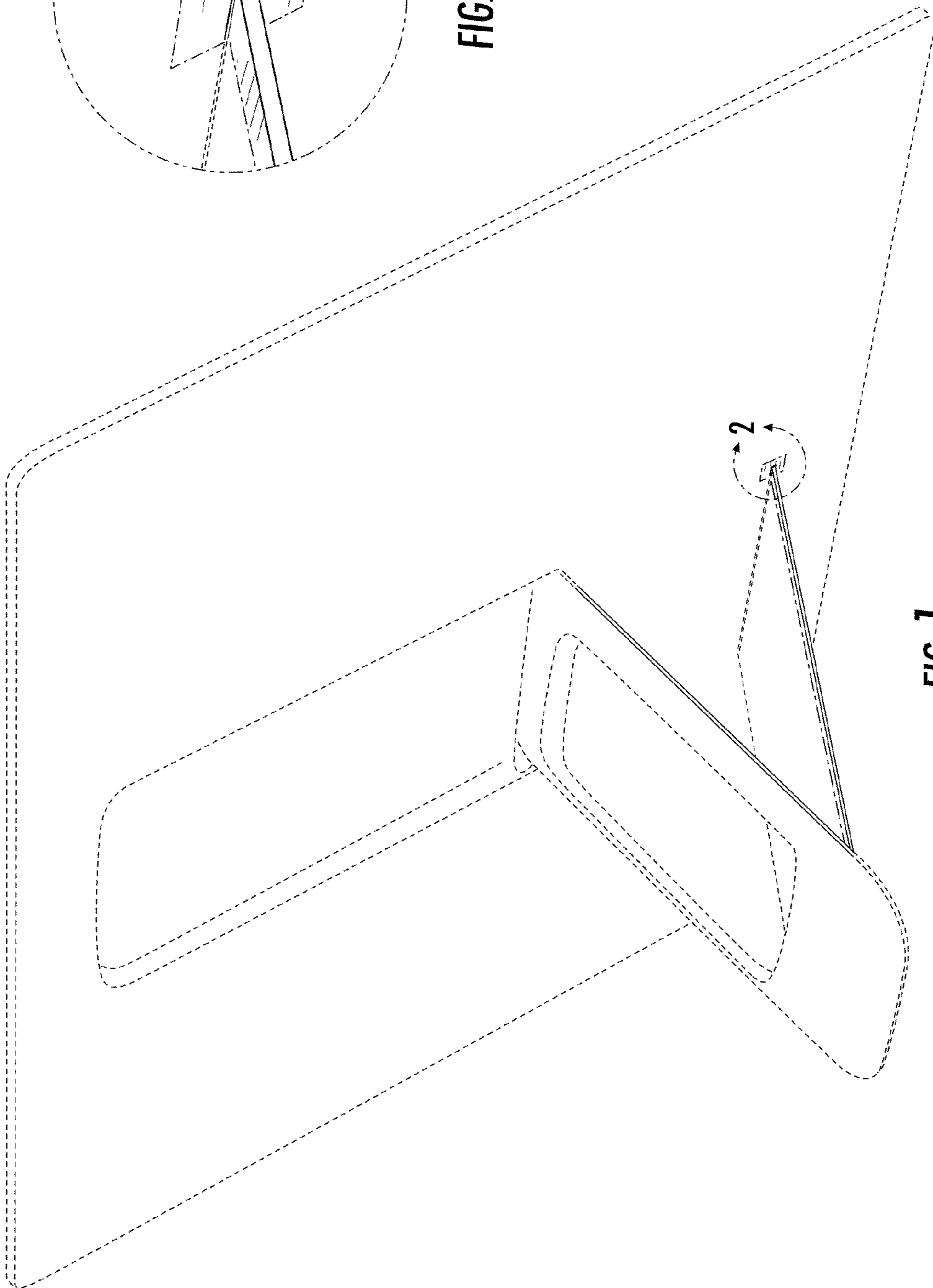


FIG. 7

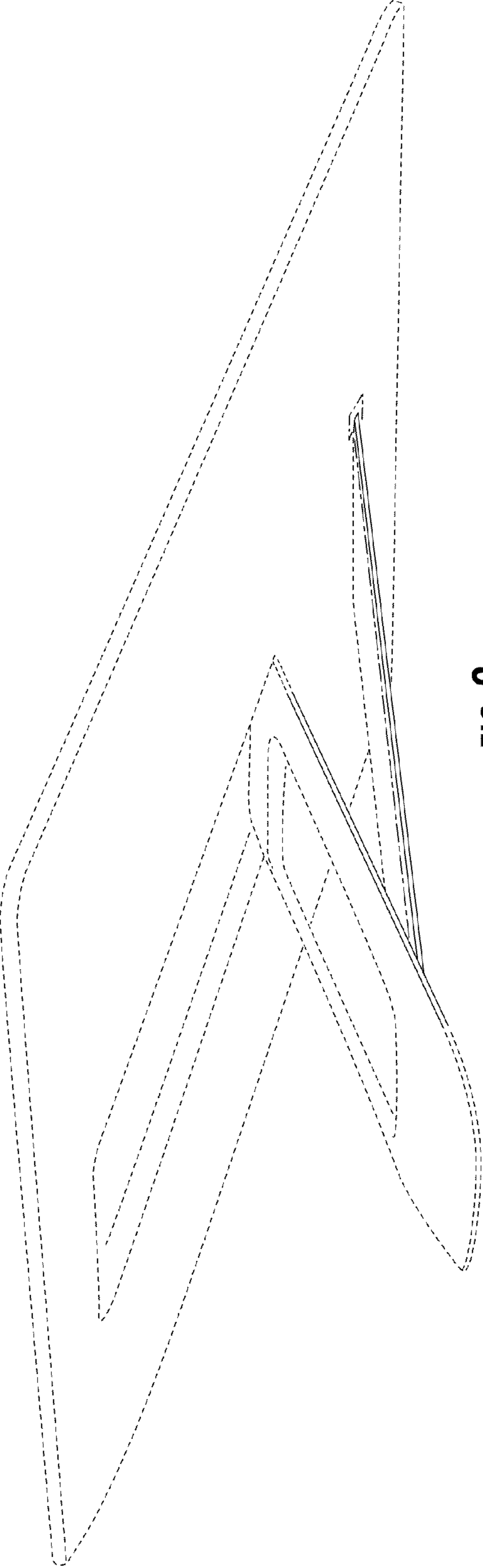


FIG. 3

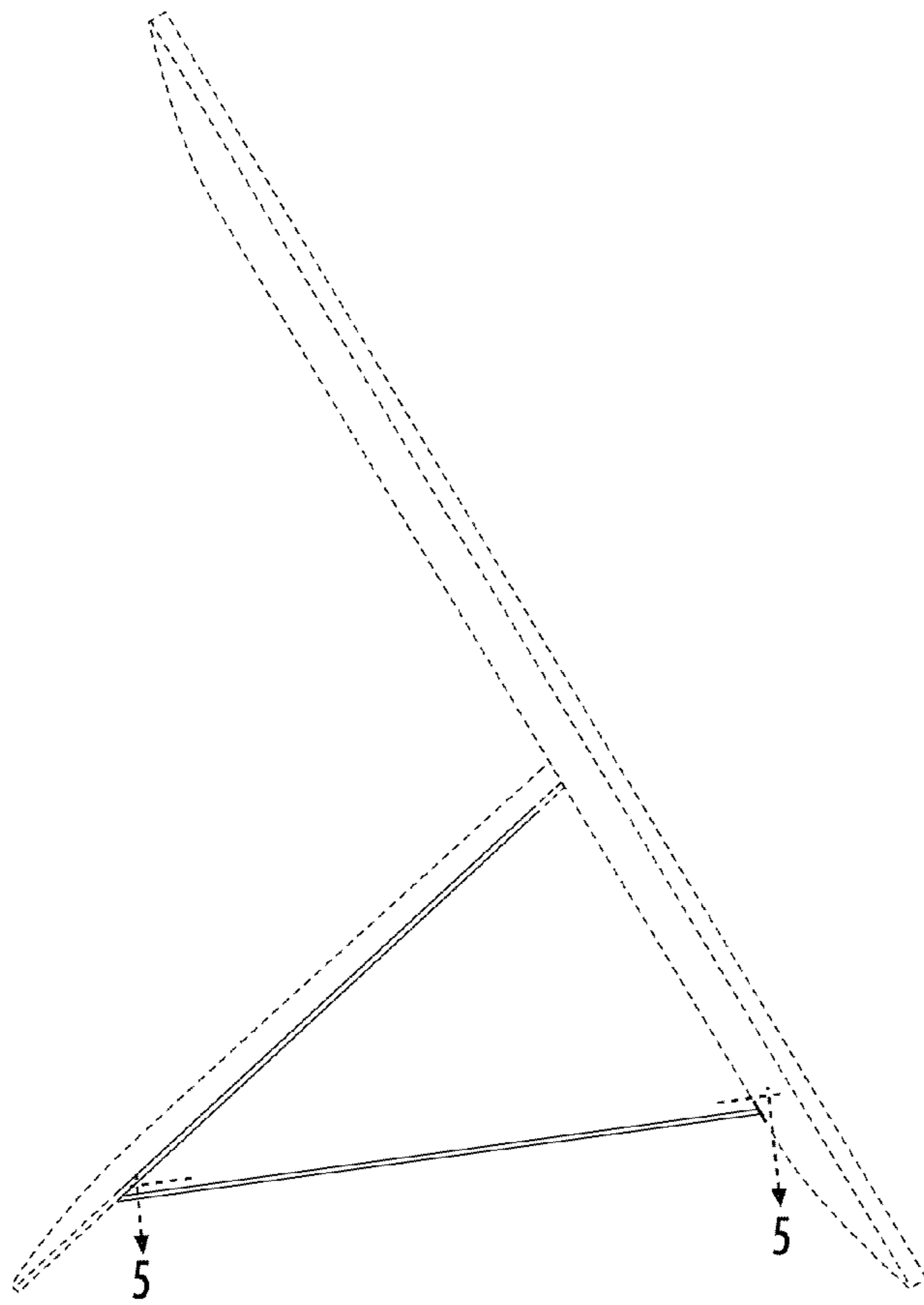


FIG. 4

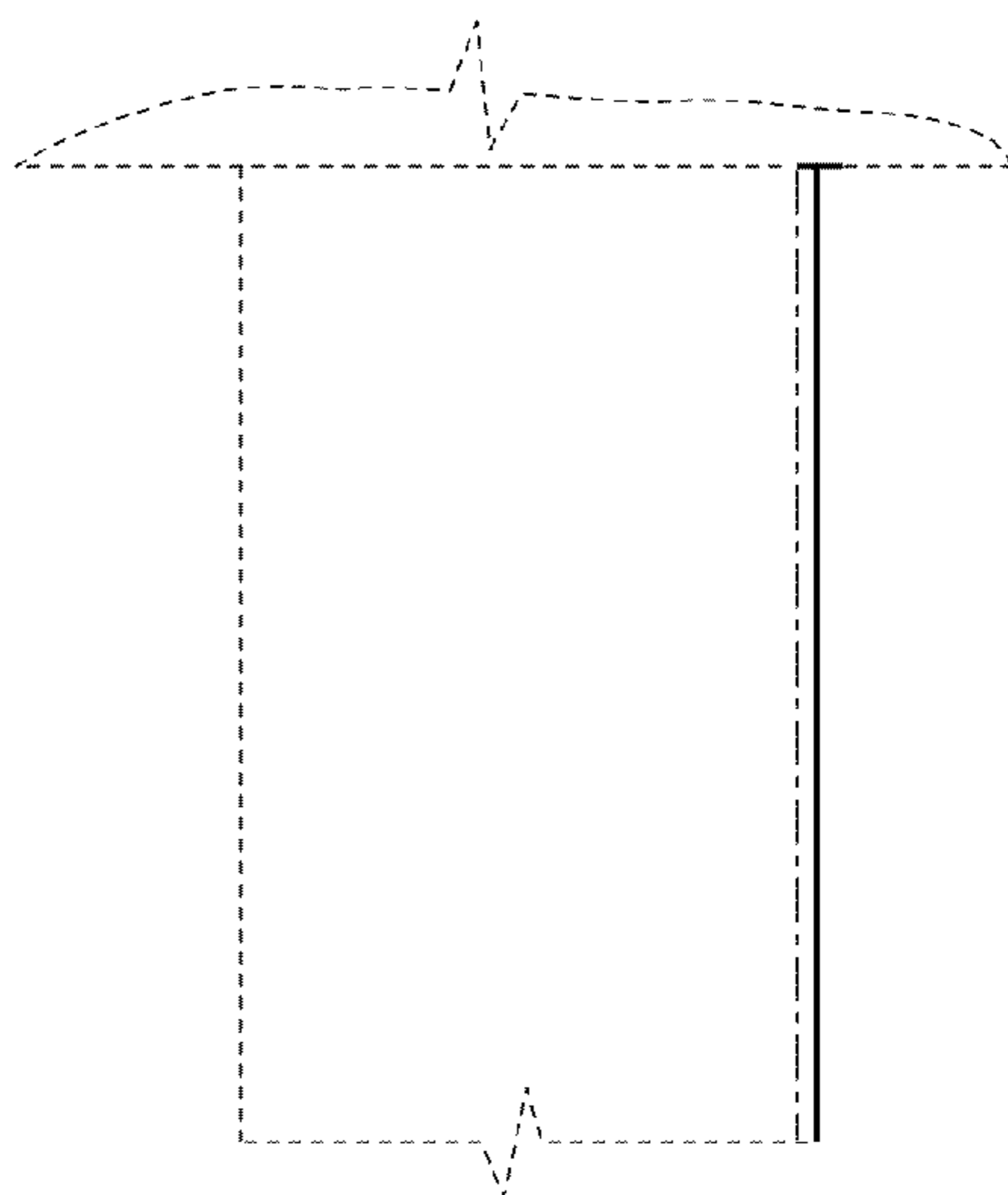


FIG. 5

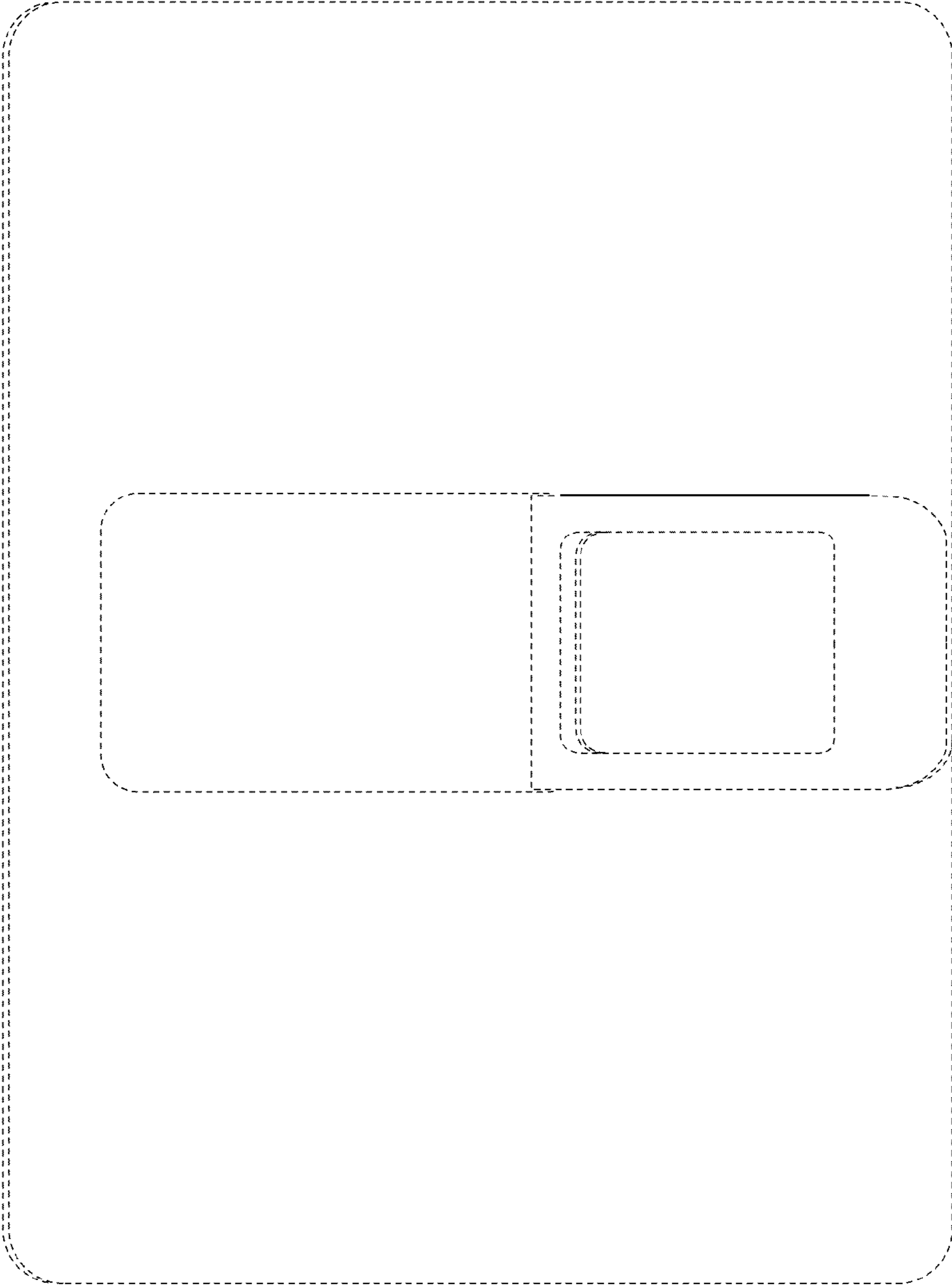


FIG. 6