



US00D741067S

(12) **United States Design Patent**
Votel et al.

(10) **Patent No.:** **US D741,067 S**
(45) **Date of Patent:** **** Oct. 20, 2015**

(54) **RING CONNECTOR**

(71) Applicant: **Tenacious Holdings, Inc.**, St. Paul, MN
(US)

(72) Inventors: **Thomas Votel**, Sunfish Lake, MN (US);
Nathan Bohmbach, Lakeville, MN (US)

(73) Assignee: **Tenacious Holdings, Inc.**, St. Paul, MN
(US)

(**) Term: **14 Years**

(21) Appl. No.: **29/487,166**

(22) Filed: **Apr. 6, 2014**

(51) **LOC (10) Cl.** **03-01**

(52) **U.S. Cl.**
USPC **D3/327**

(58) **Field of Classification Search**
USPC D3/327, 318
CPC A45C 1/024; A45C 3/06; A45C 3/08;
A45F 5/10

See application file for complete search history.

(56) **References Cited**

U.S. PATENT DOCUMENTS

| | | | |
|--------------|--------|-----------------------|--------|
| D395,751 S * | 7/1998 | Dominique | D3/233 |
| D491,727 S * | 6/2004 | Koenig et al. | D3/318 |
| D609,011 S * | 2/2010 | Cucuzza | D3/327 |
| D617,561 S * | 6/2010 | Salerno-Tortora | D3/327 |
| D655,090 S * | 3/2012 | Puckett et al. | D3/327 |
| D666,833 S * | 9/2012 | Robinson | D3/318 |
| D675,023 S * | 1/2013 | Colgan | D3/327 |

* cited by examiner

Primary Examiner — Holly Baynham

(74) *Attorney, Agent, or Firm* — Skaar Ulbrich Macari, P.A.

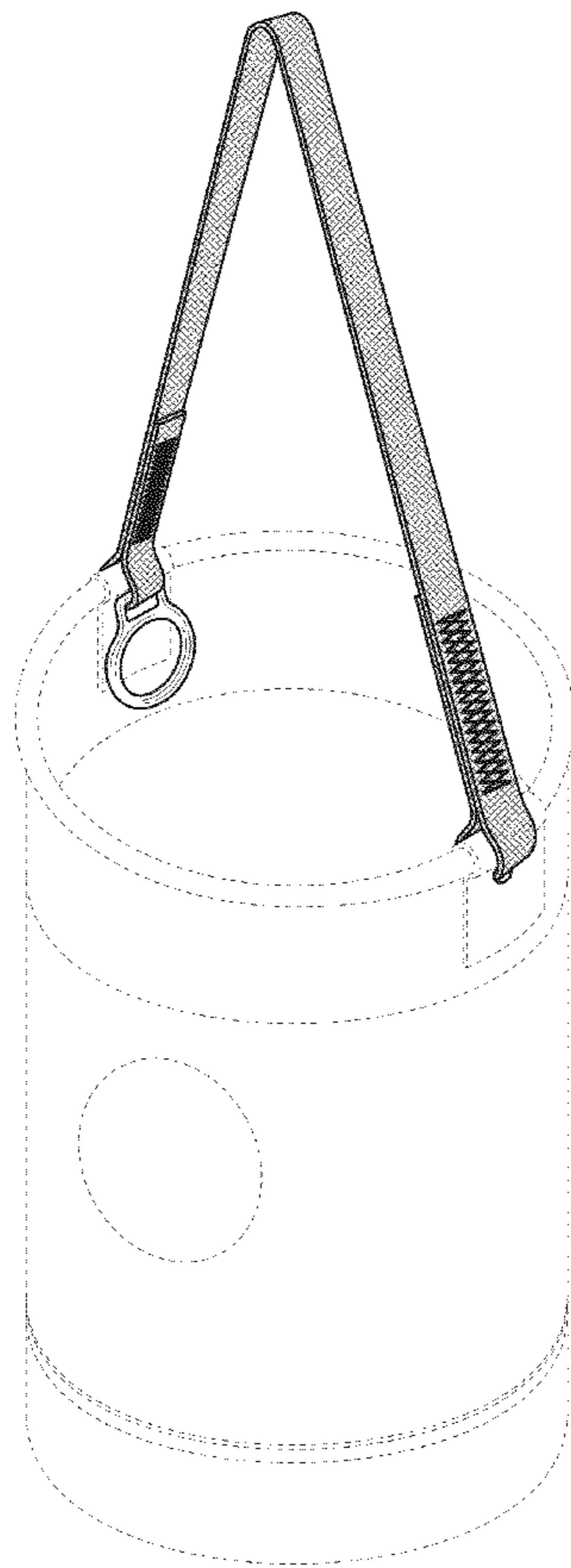
(57) **CLAIM**

We claim the ornamental design for a ring connector, as shown and described.

DESCRIPTION

FIG. 1 is a perspective of our ring connector.
FIG. 2 is a front elevation view thereof.
FIG. 3 is a back elevation view thereof.
FIG. 4 is a side elevation view thereof.
FIG. 5 is a top plan view thereof; and,
FIG. 6 is a bottom plan view thereof.
The broken lines in the drawings illustrate features of the article to which the design is applied that forms no part of the claim.

1 Claim, 5 Drawing Sheets



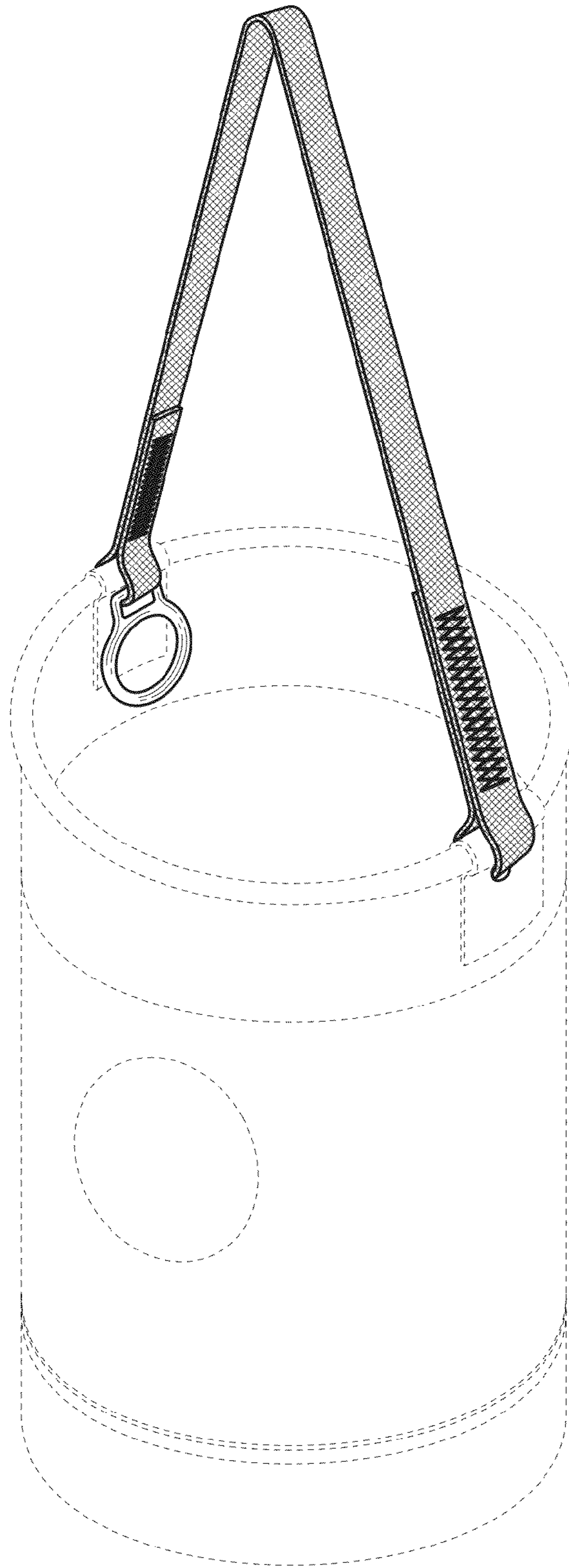


Fig. 1

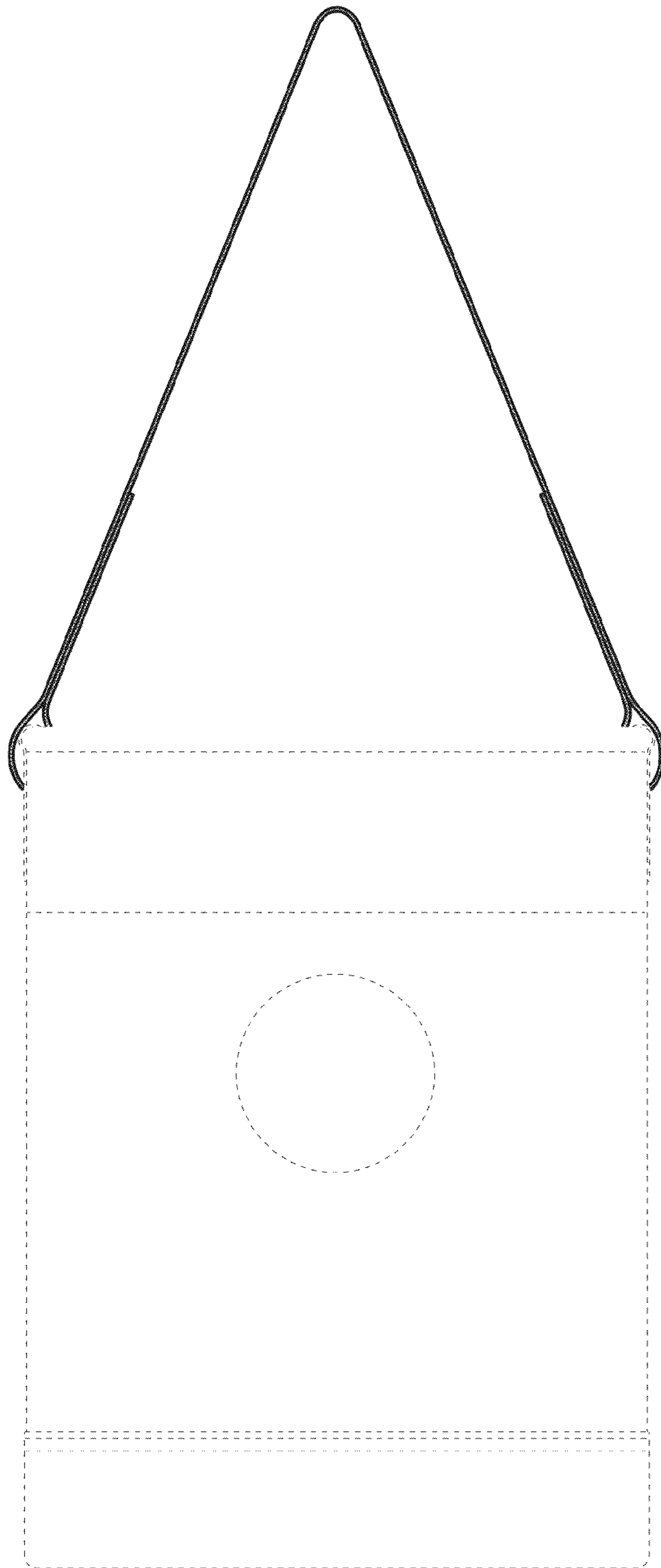


Fig. 2

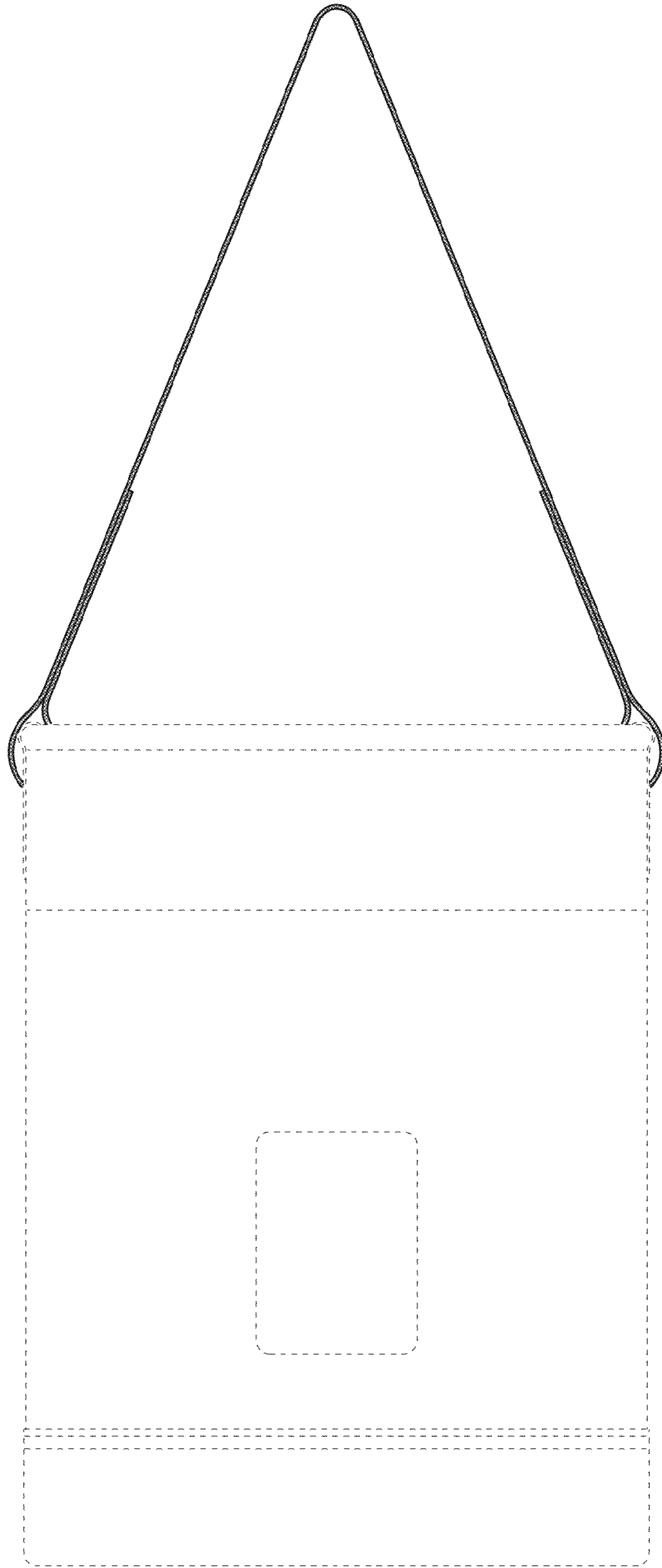


Fig. 3

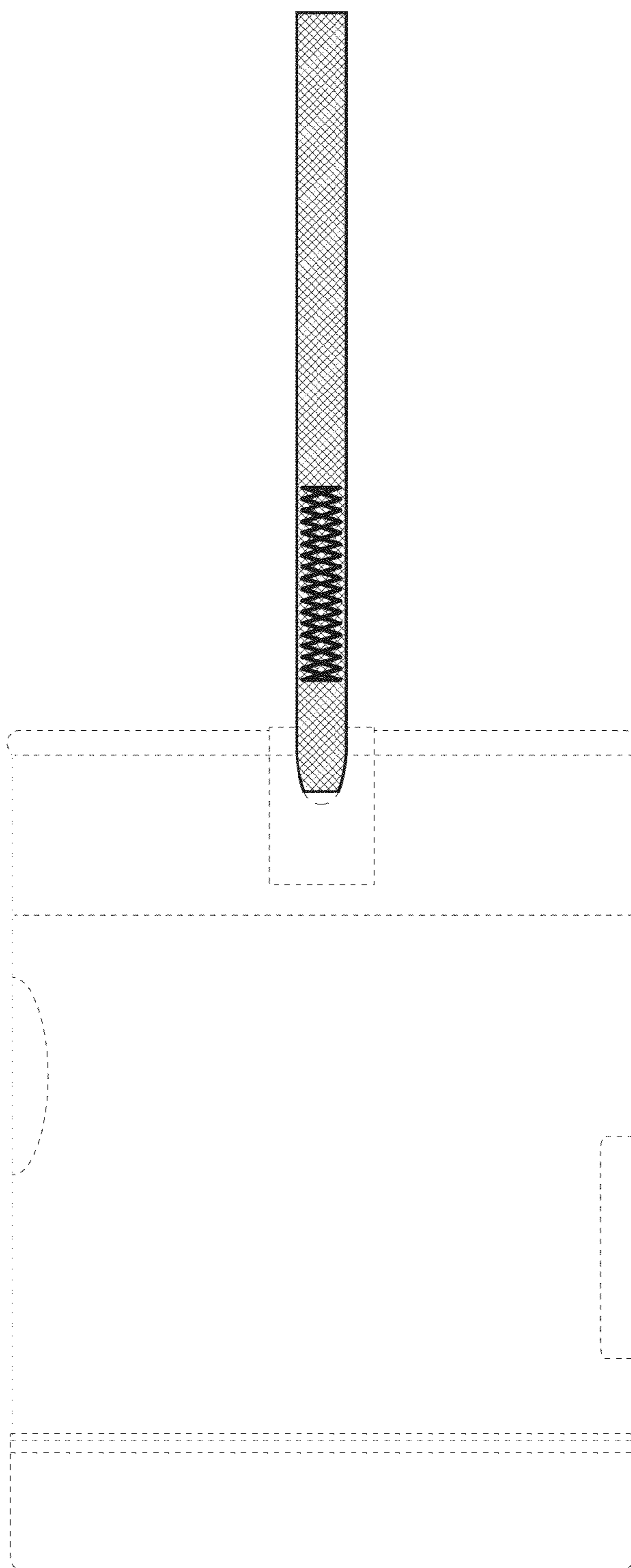


Fig. 4

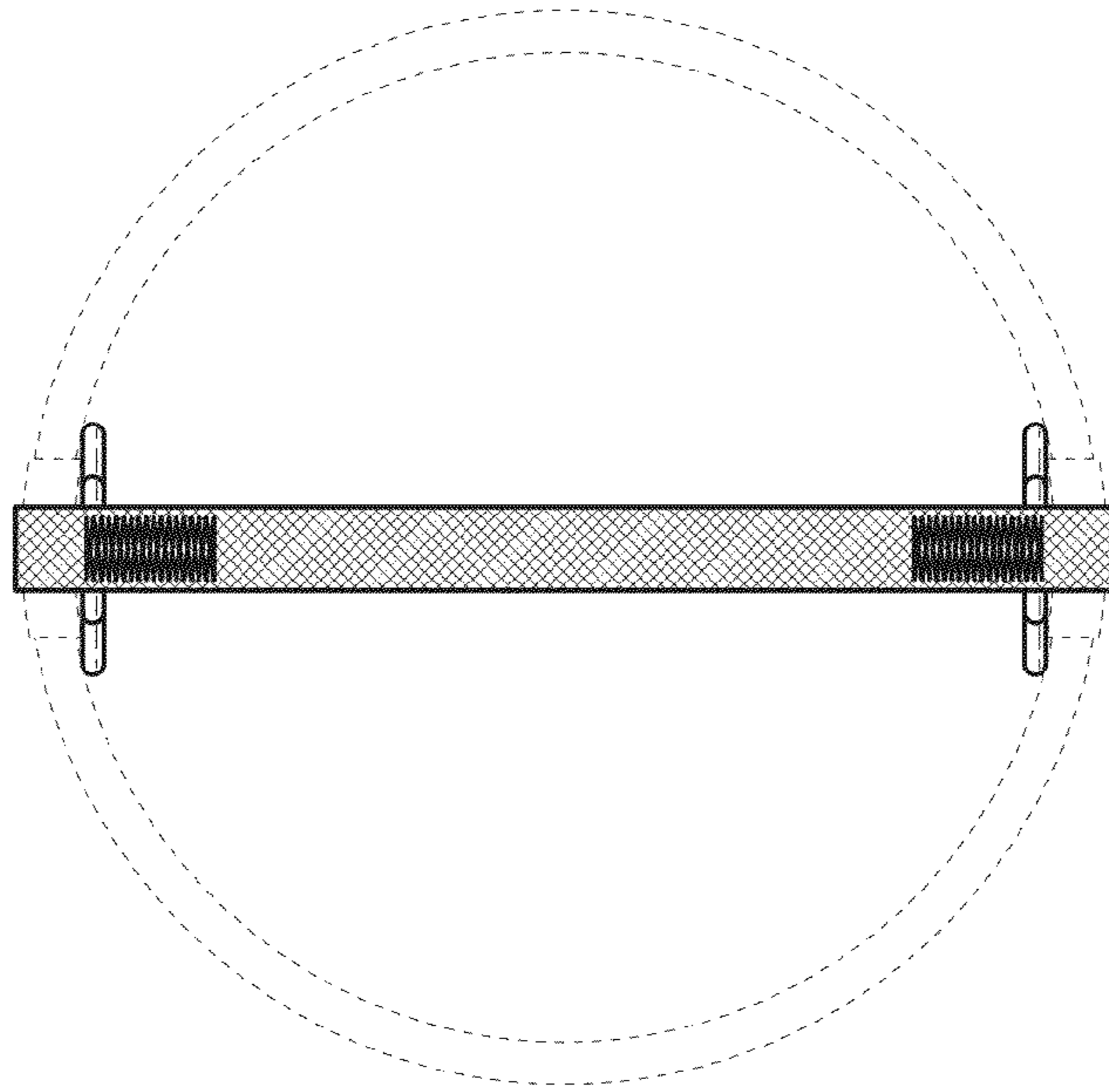


Fig. 5

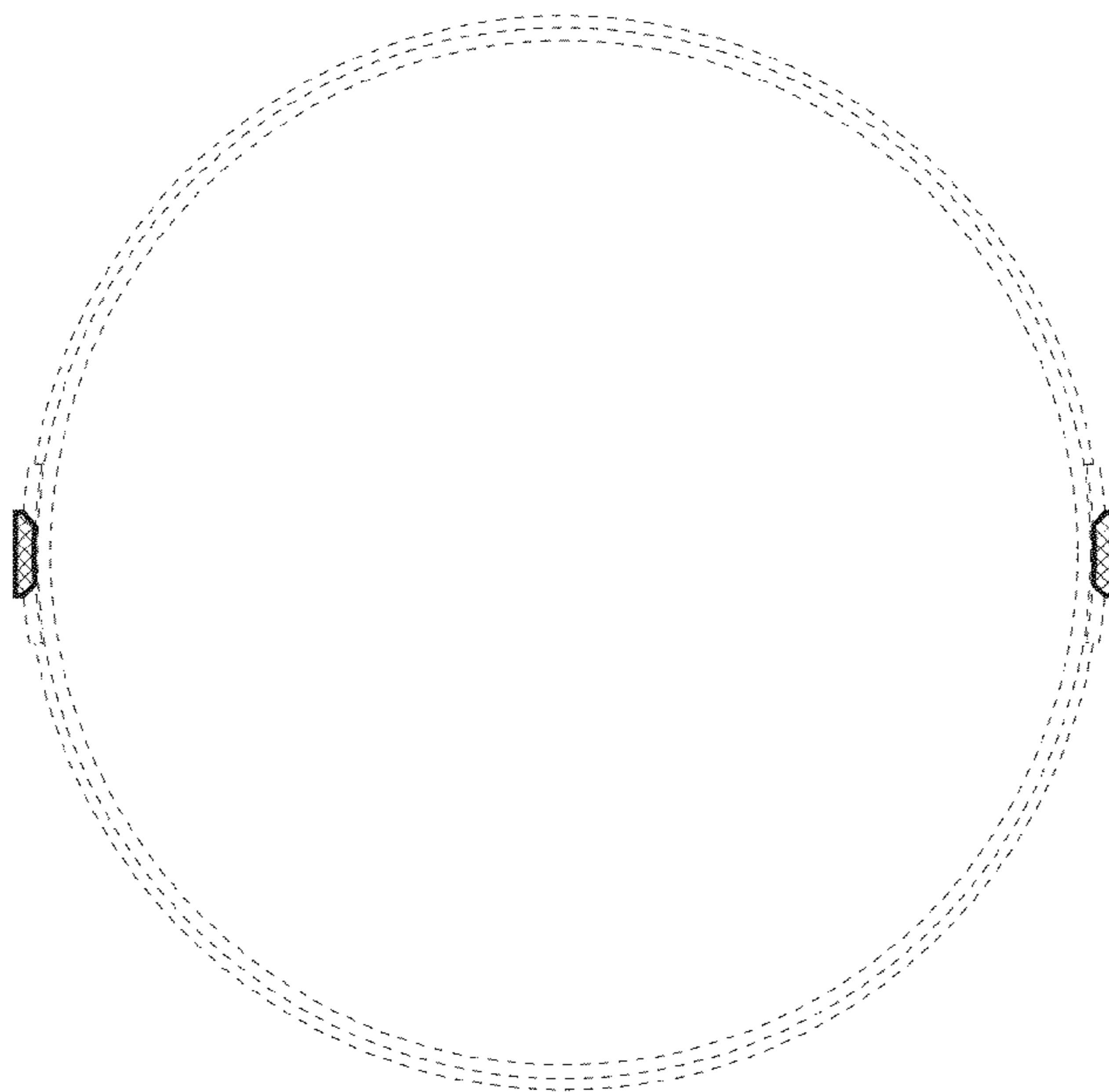


Fig. 6