



US00D741066S

(12) **United States Design Patent**  
**Abdi et al.**

(10) **Patent No.:** **US D741,066 S**  
(45) **Date of Patent:** **\*\* Oct. 20, 2015**

- (54) **CONTAINER LID**
- (71) Applicant: **Merrick Engineering, Inc.**, Corona, CA (US)
- (72) Inventors: **Abraham Abdi**, Newport Coast, CA (US); **Katina C. Brown**, Lake Elsinore, CA (US); **Sadollah Vahidy**, Riverside, CA (US); **Robert J. Schaefer**, Hemet, CA (US)
- (73) Assignee: **Merrick Engineering, Inc.**, Corona, CA (US)

2,242,421 A	5/1941	Dodge
4,143,695 A	3/1979	Hoehn
4,369,901 A	1/1983	Hidding
4,723,693 A	2/1988	DeCoster
D351,704 S	10/1994	Breen
D381,162 S	7/1997	Berend et al.
5,971,231 A	10/1999	Samz et al.
D419,829 S	2/2000	Wilson et al.
D439,022 S	3/2001	Brandeis
7,230,823 B2 *	6/2007	Richardson et al. .... 361/679.25
D550,453 S *	9/2007	Ford ..... D3/247
D634,908 S	3/2011	Lortscher
D649,726 S	11/2011	Manuel

(Continued)

- (\*\*) Term: **14 Years**
- (21) Appl. No.: **29/484,178**
- (22) Filed: **Mar. 6, 2014**

**Related U.S. Application Data**

- (63) Continuation of application No. 29/424,619, filed on Jun. 13, 2012, now Pat. No. Des. 701,700.
- (51) **LOC (10) Cl.** ..... **03-01**
- (52) **U.S. Cl.**  
USPC ..... **D3/318; D9/451**
- (58) **Field of Classification Search**  
USPC ..... **D3/318; D9/447, 449, 451**  
CPC ..... **B65D 43/08; B65D 25/28; B65D 43/02; B65D 25/32**  
See application file for complete search history.

(56) **References Cited**

**U.S. PATENT DOCUMENTS**

520,505 A	5/1894	Upton
621,559 A	3/1899	Ebert
950,844 A	3/1910	Dolan
1,080,551 A	12/1913	Hartwell
1,448,316 A	12/1920	Shackitt
1,408,387 A	2/1922	Nochols et al.

**OTHER PUBLICATIONS**

3.5 Gallon EZ Store Buckets, dated Dec. 22, 2010.

(Continued)

*Primary Examiner* — Holly Baynham

(74) *Attorney, Agent, or Firm* — Knobbe, Martens, Olson & Bear, LLP

(57) **CLAIM**

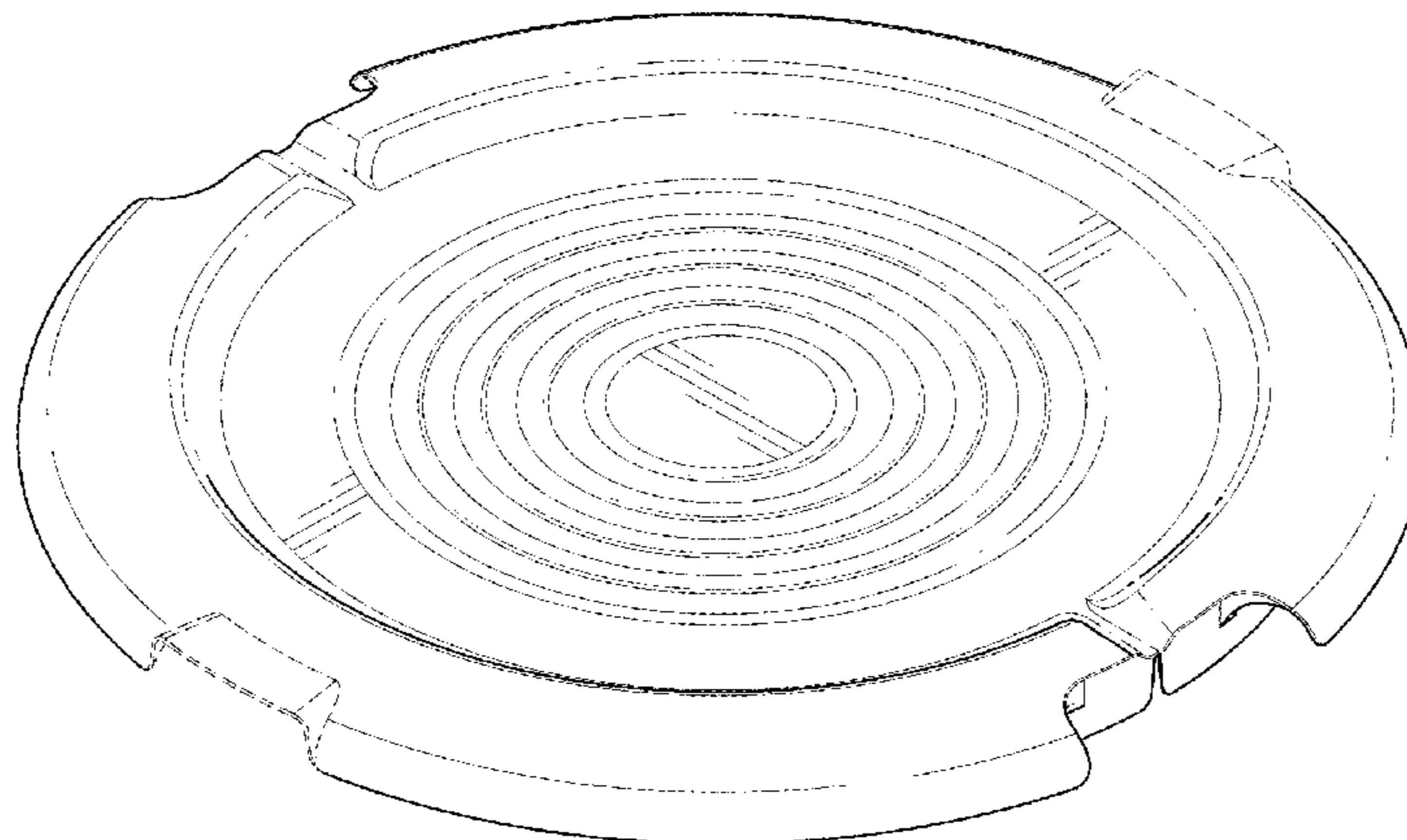
The ornamental design for a container lid, as shown and described.

**DESCRIPTION**

FIG. 1 is a top perspective view of a container lid showing the new design;  
 FIG. 2 is a bottom perspective view thereof;  
 FIG. 3 is a right-side view thereof;  
 FIG. 4 is a left-side view thereof;  
 FIG. 5 is a front view thereof;  
 FIG. 6 is a back view thereof;  
 FIG. 7 is a top view thereof; and,  
 FIG. 8 is a bottom view thereof.

The broken lines showing a container lid tab are for the purposes of illustrating environment and forms no part of the claimed design.

**1 Claim, 6 Drawing Sheets**



(56)

**References Cited**

**OTHER PUBLICATIONS**

U.S. PATENT DOCUMENTS

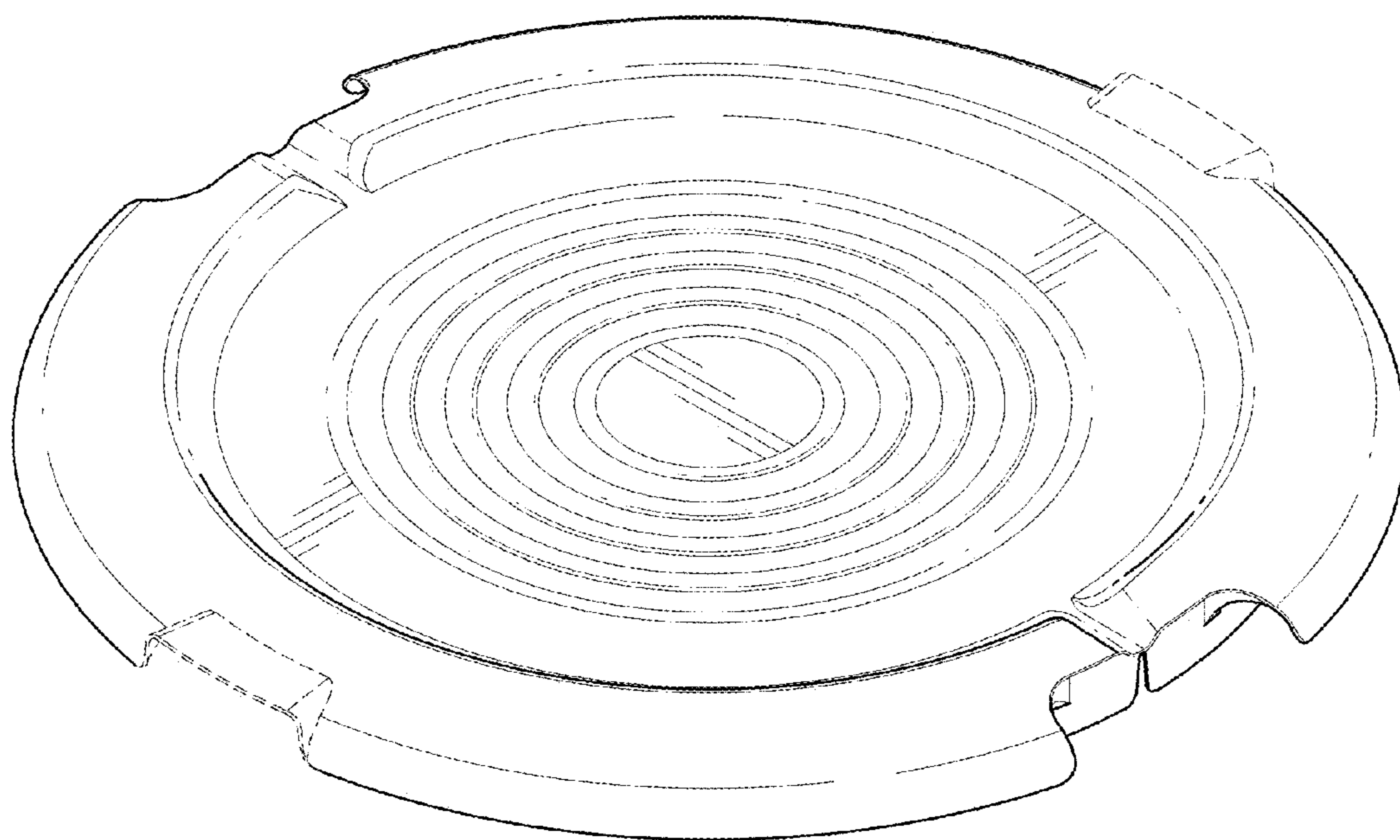
D701,700 S	4/2014	Abdi et al.
8,733,585 B2	5/2014	Abdi et al.
2006/0124643 A1	6/2006	Markert et al.
2008/0190951 A1	8/2008	Gallagher

Pailking, 3 pages, dated Jul. 22, 2011.

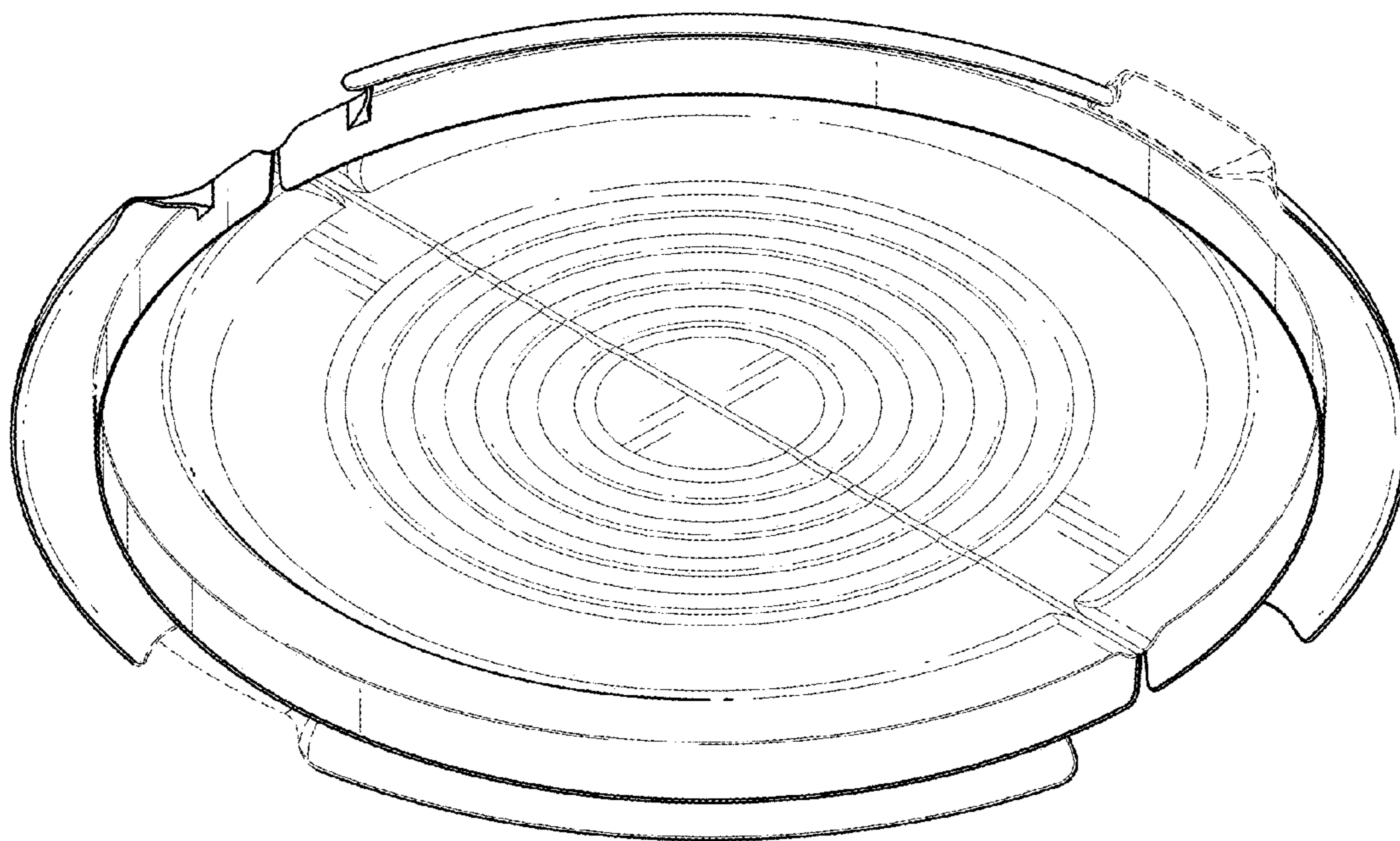
Pailking, 2 pages, dated Jun. 13, 2010.

Translucent Plastic Round Tubs, at least as early as Jun. 12, 2011.

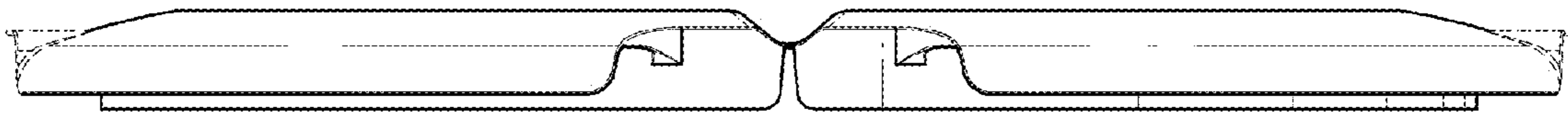
\* cited by examiner



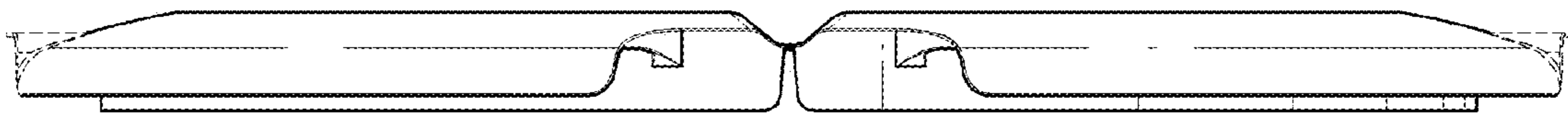
*FIG. 1*



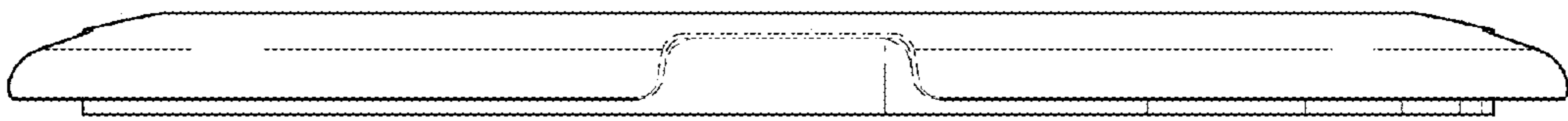
*FIG. 2*



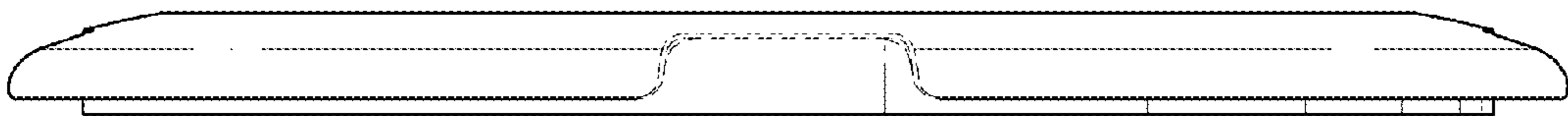
*FIG. 3*



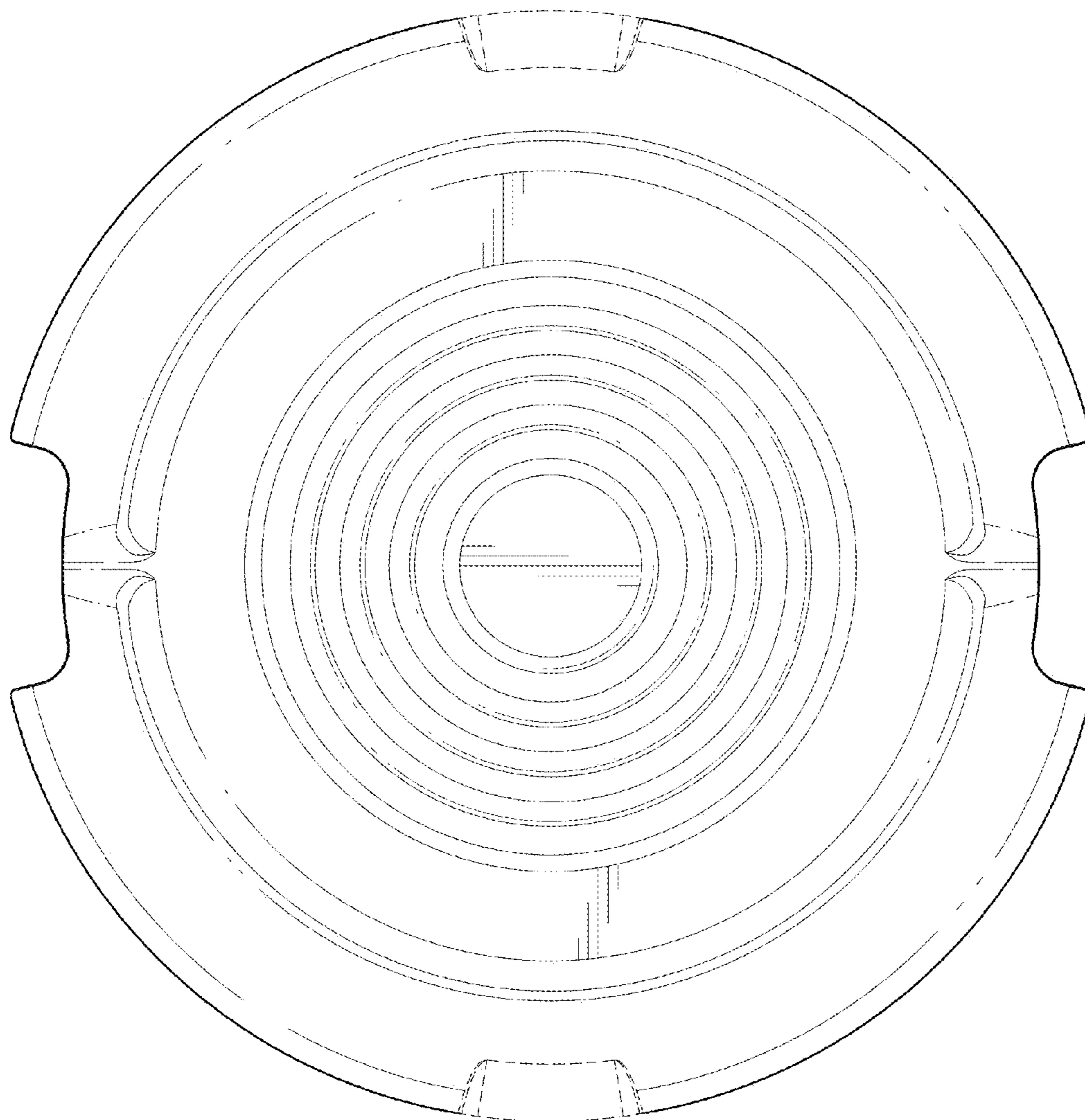
*FIG. 4*



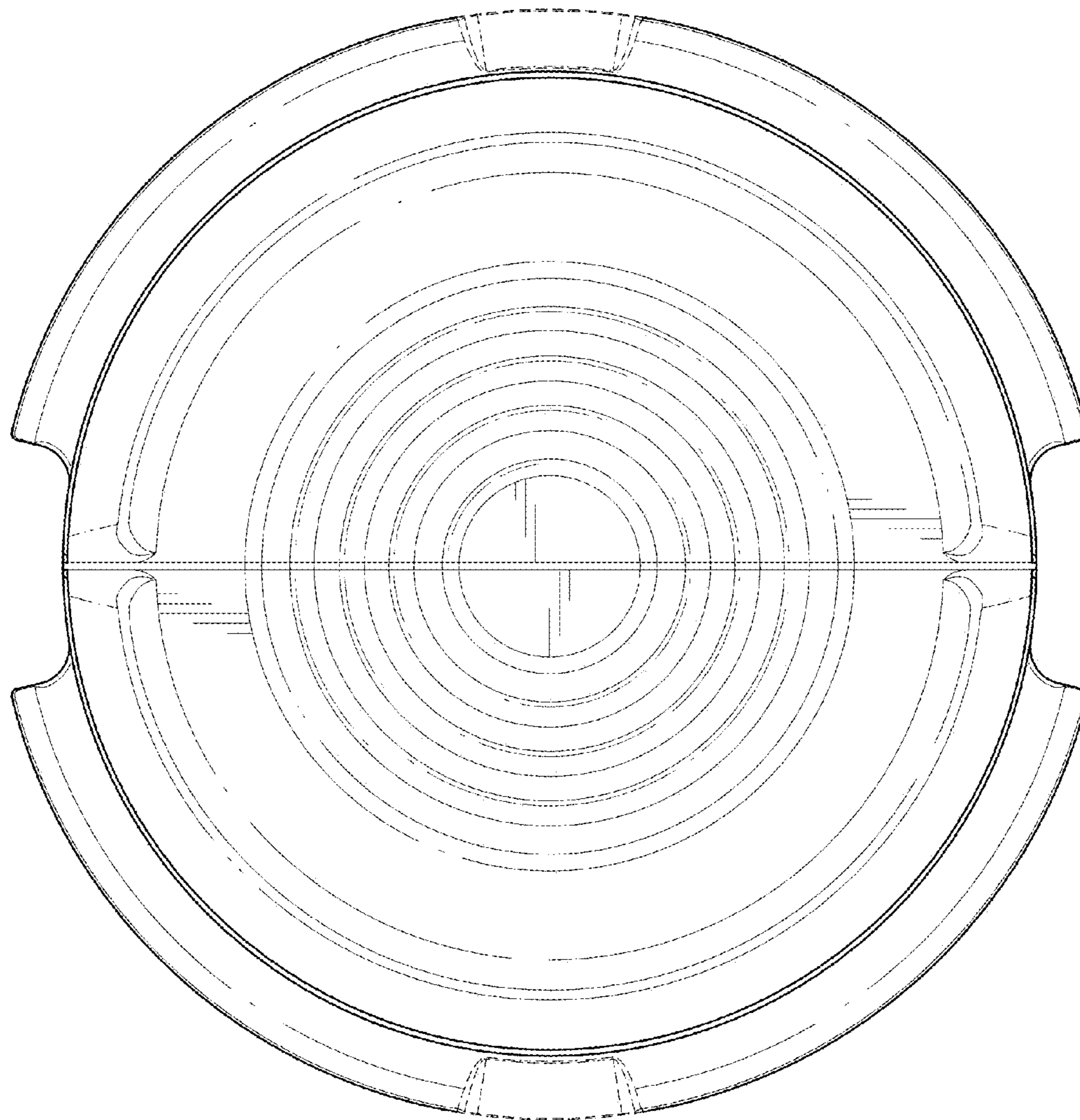
*FIG. 5*



*FIG. 6*



*FIG. 7*



*FIG. 8*