



US00D741064S

(12) **United States Design Patent**
Ramos

(10) **Patent No.:** **US D741,064 S**

(45) **Date of Patent:** **** Oct. 20, 2015**

(54) **TOTE**
(71) Applicant: **Tenisha Ramos**, Yonkers, NY (US)
(72) Inventor: **Tenisha Ramos**, Yonkers, NY (US)
(**) Term: **14 Years**

D407,216 S * 3/1999 Vickers D3/233
D449,443 S * 10/2001 Snider D3/299
D627,167 S * 11/2010 Kittrell D3/299
D658,361 S * 5/2012 Kontos D3/203.1

* cited by examiner

Primary Examiner — Holly Baynham

(21) Appl. No.: **29/480,195**
(22) Filed: **Jan. 24, 2014**
(51) **LOC (10) Cl.** **03-01**
(52) **U.S. Cl.**
USPC **D3/299**
(58) **Field of Classification Search**
USPC D3/299, 232, 303
CPC A45C 1/024; A45C 3/06
See application file for complete search history.

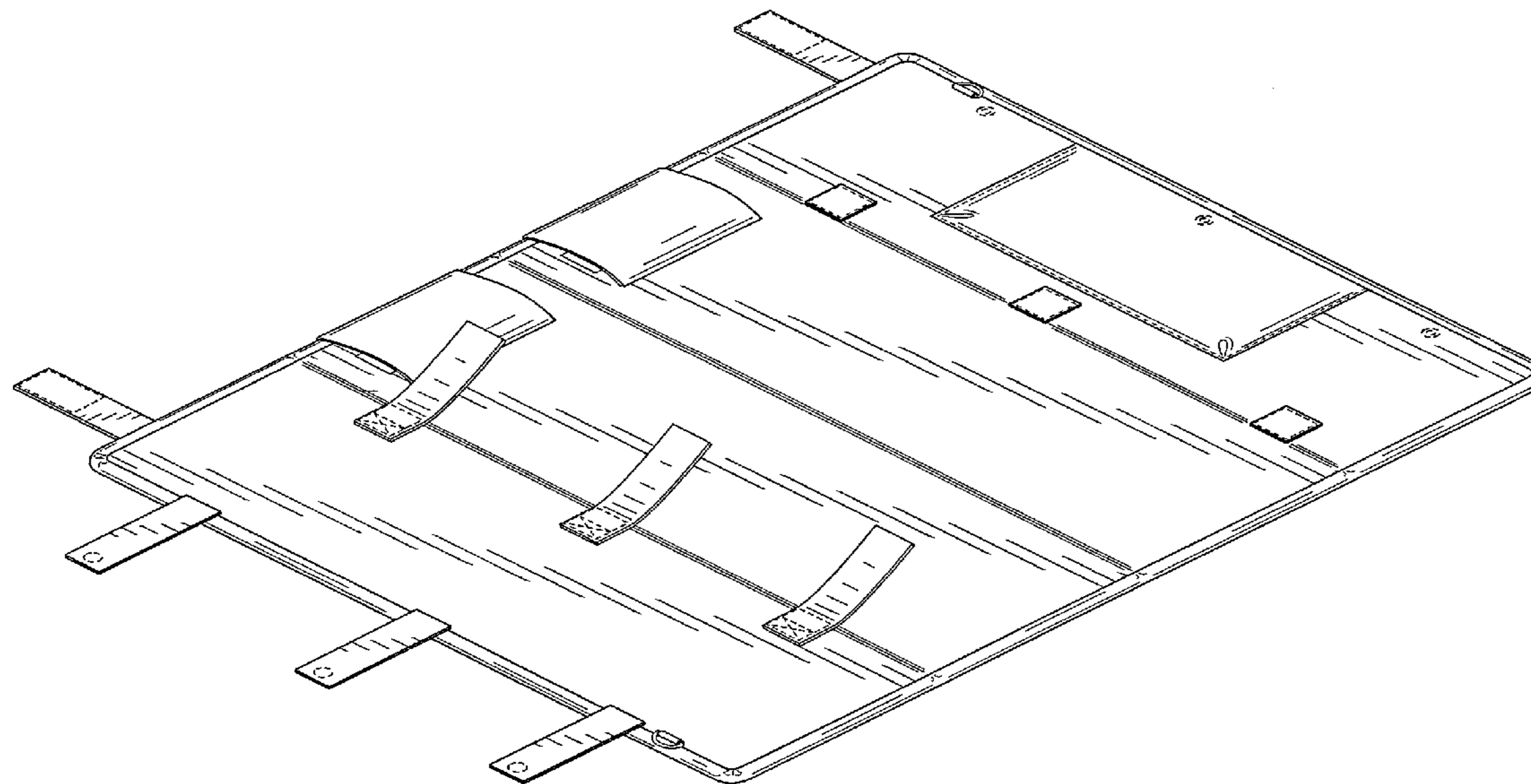
(57) **CLAIM**
The ornamental design for a tote, as shown and described.

DESCRIPTION

FIG. 1 is a front perspective view of the tote, showing my new, original and ornamental design;
FIG. 2 is a back perspective view thereof;
FIG. 3 is a top view thereof;
FIG. 4 is a bottom view thereof;
FIG. 5 is a first side view thereof;
FIG. 6 is a second side view thereof;
FIG. 7 is a first end view thereof;
FIG. 8 is a second end view thereof; and,
FIG. 9 is a perspective view of the tote as folded.

(56) **References Cited**
U.S. PATENT DOCUMENTS
D291,745 S * 9/1987 Hansen D3/315
D360,795 S * 8/1995 Saunders D6/601
5,439,154 A * 8/1995 Delligatti 224/601

1 Claim, 7 Drawing Sheets



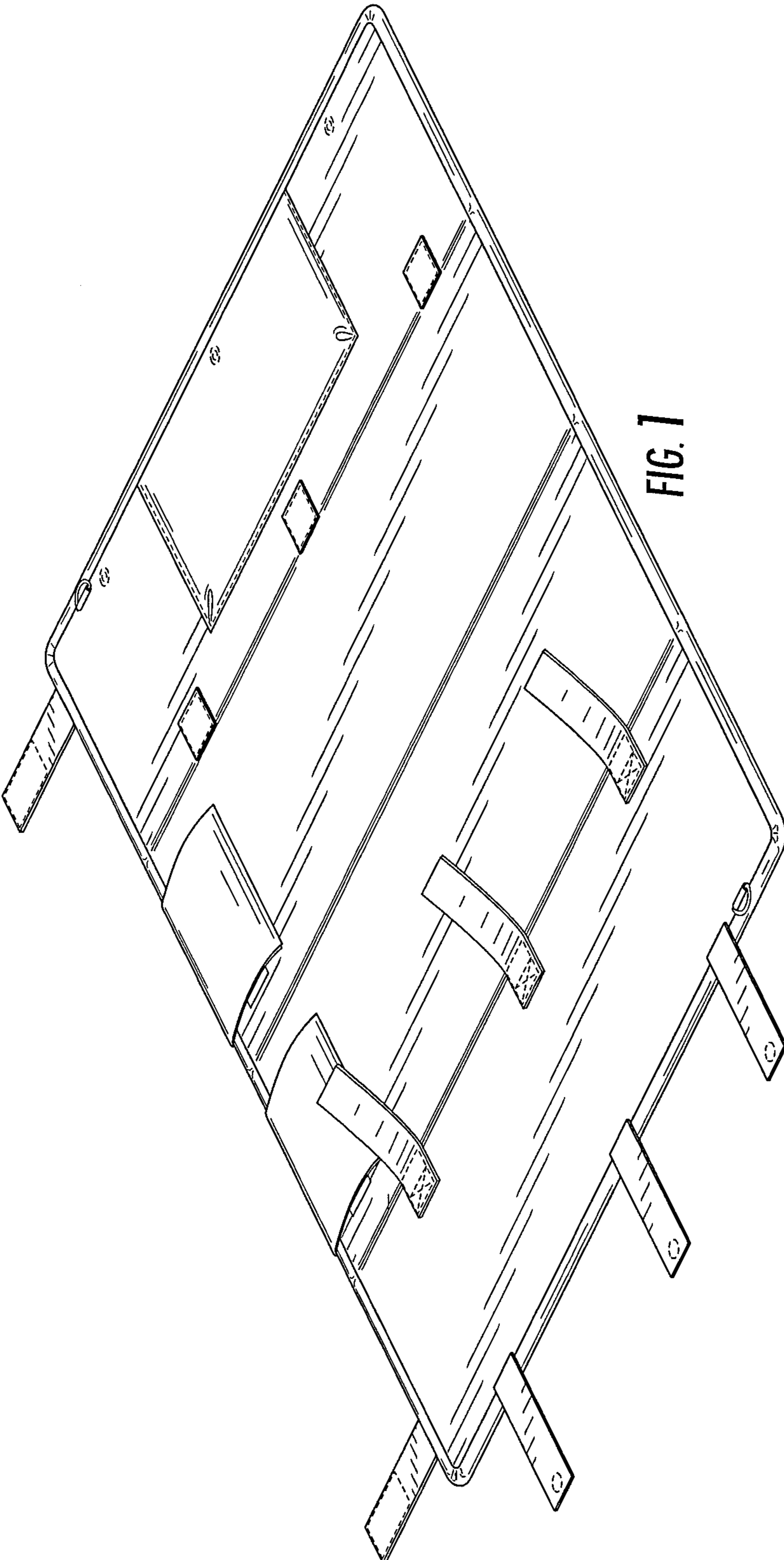


FIG. 1

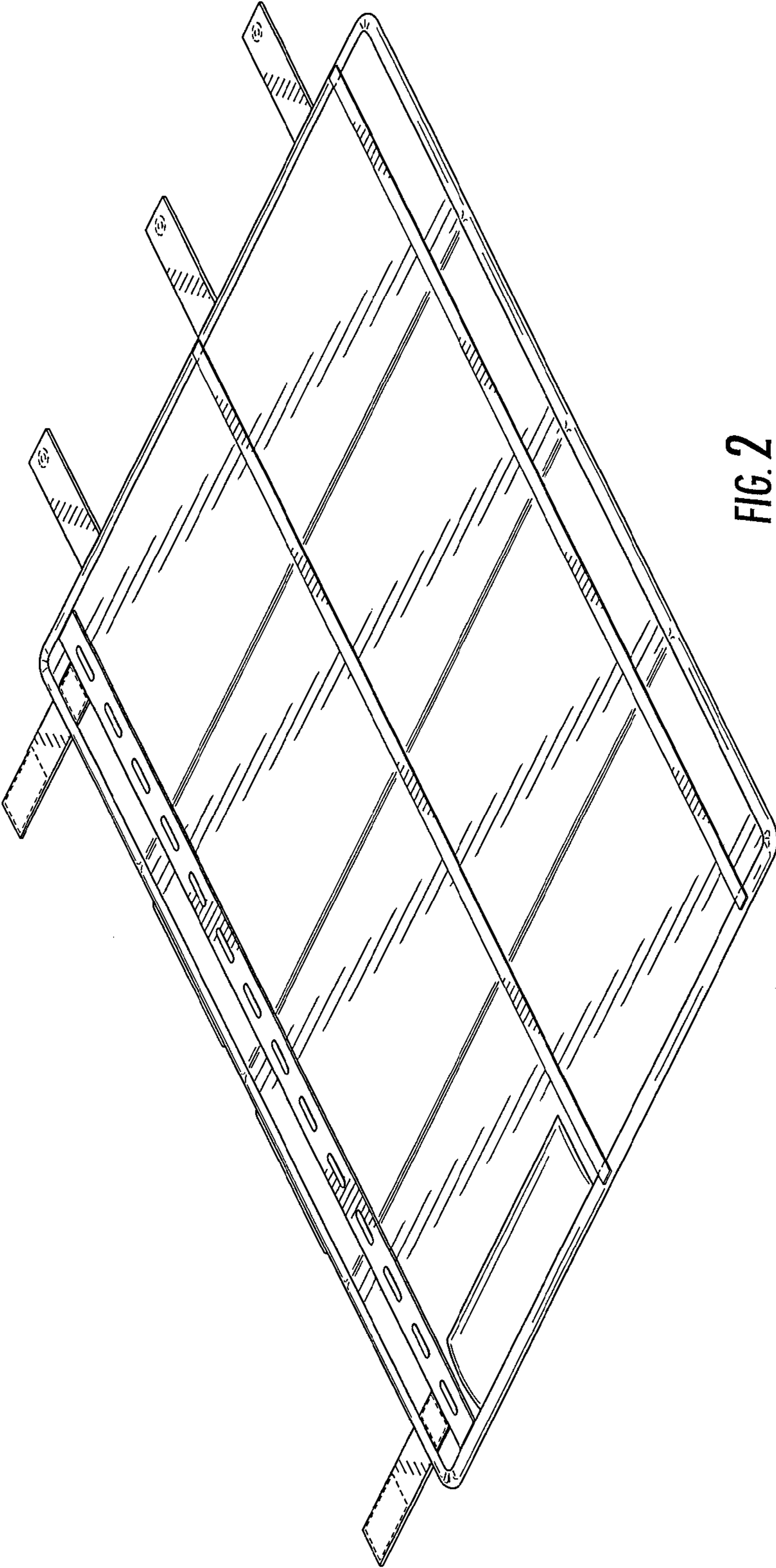


FIG. 2

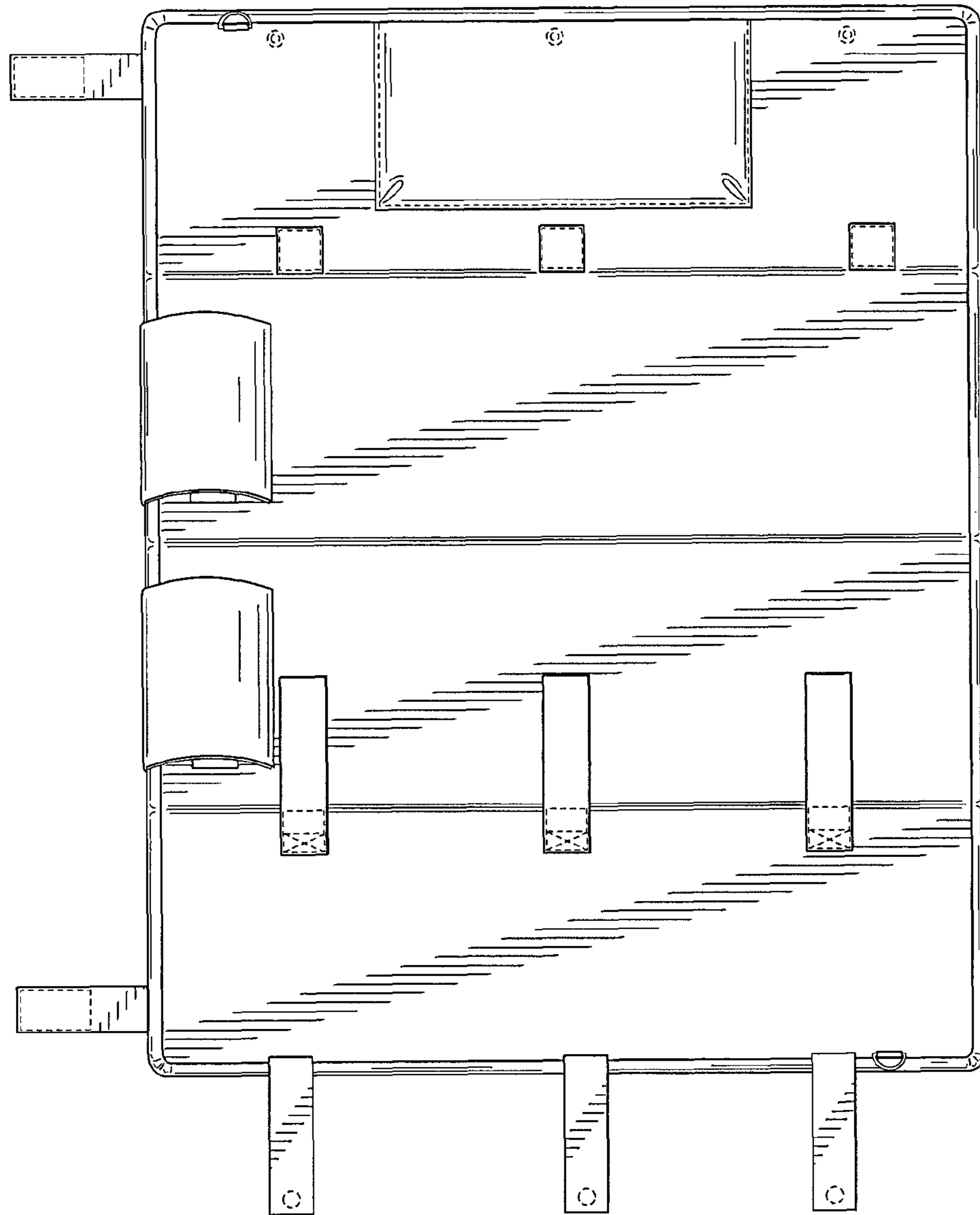


FIG. 3

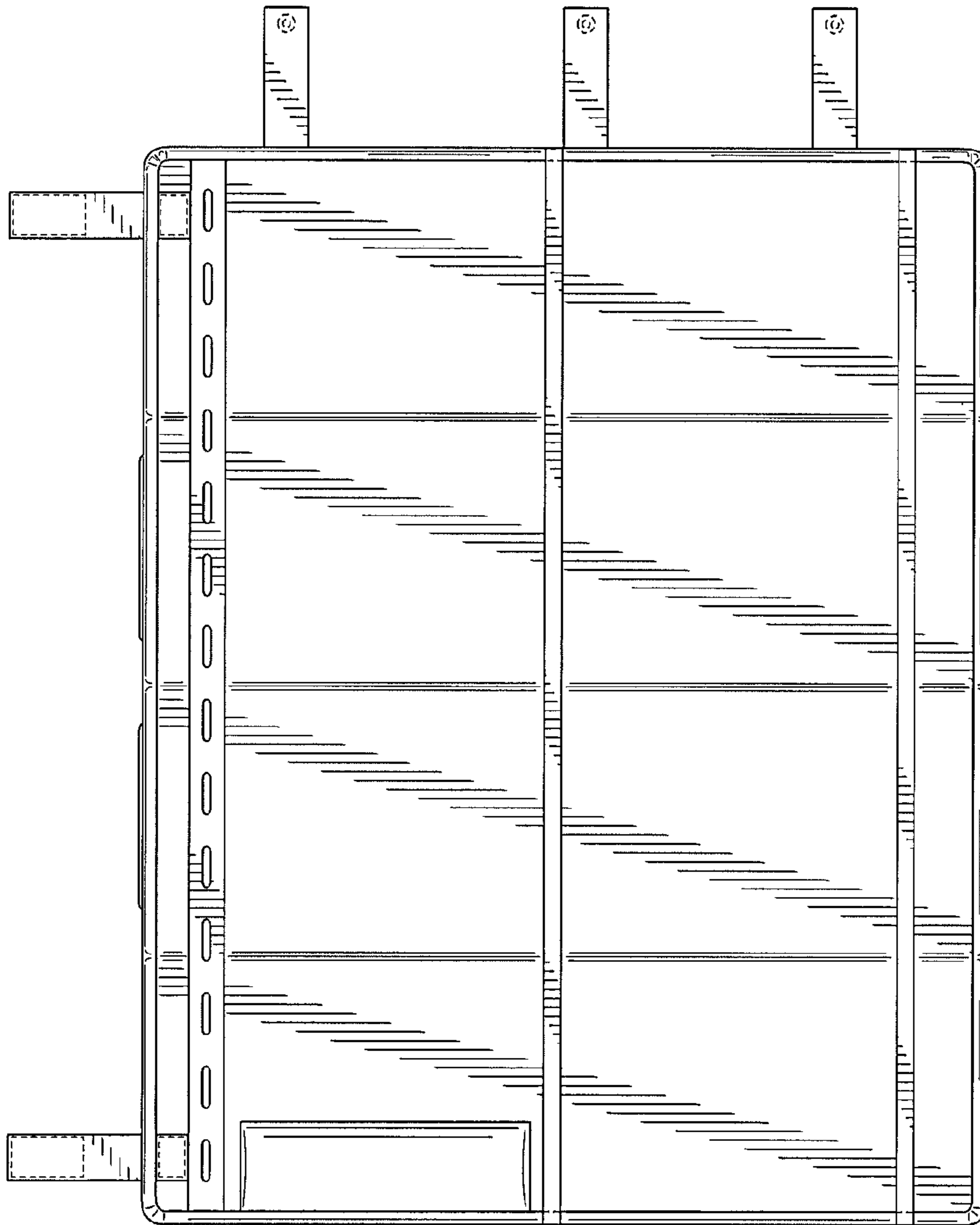


FIG. 4

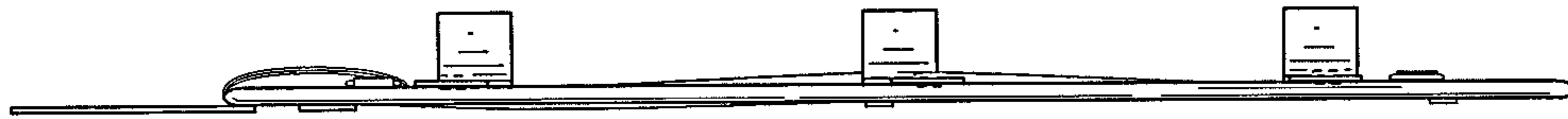


FIG. 5

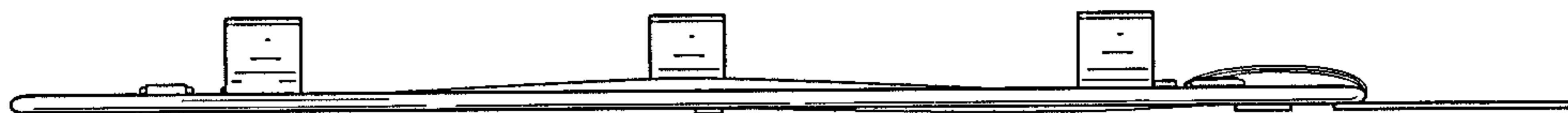


FIG. 6

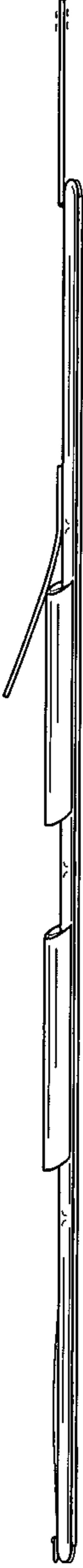


FIG. 7

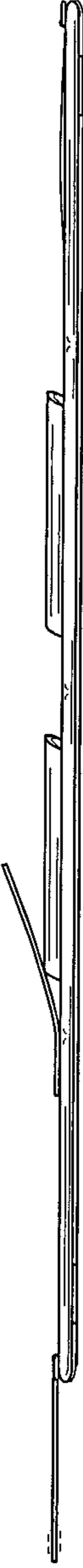


FIG. 8

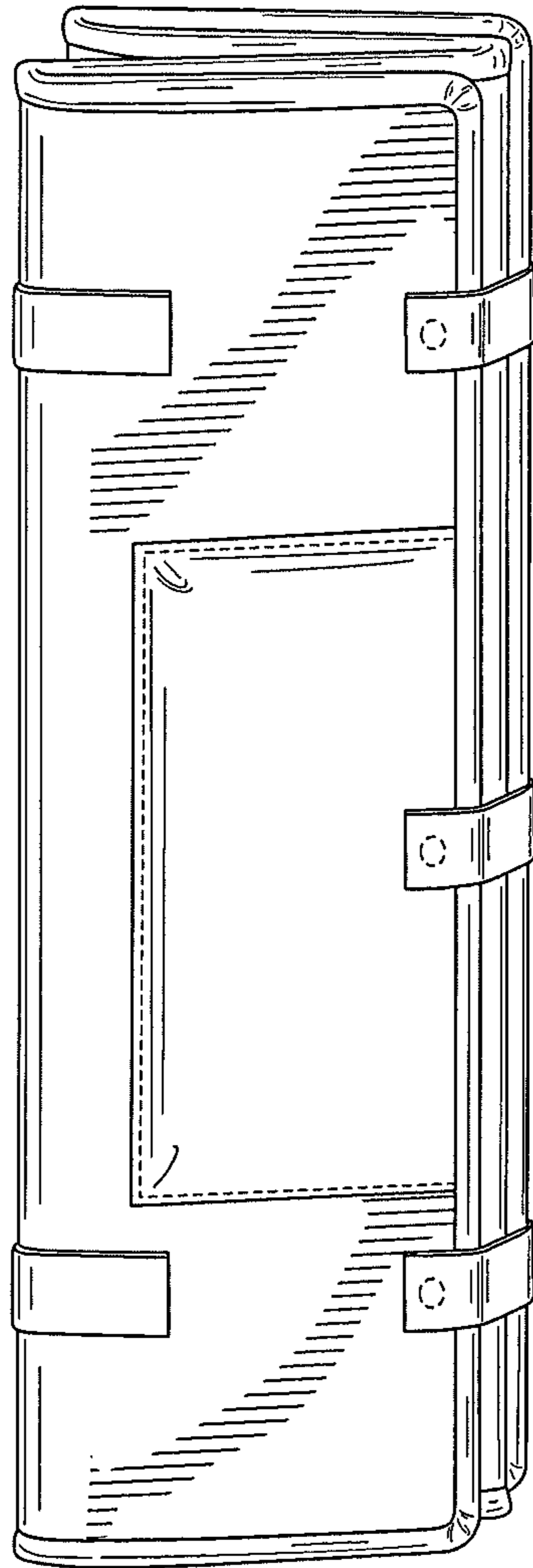


FIG. 9