



US00D741062S

(12) **United States Design Patent**  
**Gordon**

(10) **Patent No.:** **US D741,062 S**

(45) **Date of Patent:** **\*\* Oct. 20, 2015**

(54) **EYEGLASS/ACCESSORY HOLDER**

(71) Applicant: **Graeme Gordon**, Tampa, FL (US)

(72) Inventor: **Graeme Gordon**, Tampa, FL (US)

(\*\*) Term: **14 Years**

(21) Appl. No.: **29/476,675**

(22) Filed: **Dec. 16, 2013**

(51) **LOC (10) Cl.** ..... **03-01**

(52) **U.S. Cl.**

USPC ..... **D3/266**

(58) **Field of Classification Search**

USPC ..... D3/207, 215, 219, 229, 263–268, 301,  
D3/271.2; D12/417; D16/330, 339; 24/3.3,  
24/3.7, 3.8; 206/5, 5.1, 6; 248/902;  
351/112, 155; D8/365, 367, 370–372;  
D6/323

CPC ..... A45C 11/04; A47F 7/02; A47F 7/021  
See application file for complete search history.

(56) **References Cited**

**U.S. PATENT DOCUMENTS**

D28,153	S *	1/1898	Woodward	.....	D12/115
D31,177	S *	7/1899	Updike	.....	D6/323
D32,689	S *	5/1900	Hubbard	.....	D6/323
D42,105	S *	1/1912	Ducsay	.....	D8/367
D55,483	S *	6/1920	Okamura	.....	D8/367
D171,263	S *	1/1954	Newlin	.....	D3/266
D176,969	S *	2/1956	Adams	.....	D3/266
D178,712	S *	9/1956	Wilkie	.....	D3/266
2,884,220	A *	4/1959	Manley	.....	248/316.8
3,219,302	A *	11/1965	Smith	.....	248/218.3
D205,261	S *	7/1966	Boxer	.....	D3/266
D206,097	S *	10/1966	Nelswanger	.....	D3/266
D246,014	S *	10/1977	Conrad	.....	D3/221
D256,867	S *	9/1980	Ryan et al.	.....	D6/323
D259,016	S *	4/1981	Einhorn	.....	D8/367
D259,019	S *	4/1981	Einhorn	.....	D8/367
D261,205	S *	10/1981	Shames et al.	.....	D8/367
D266,932	S *	11/1982	Liset	.....	D3/266

D275,527	S *	9/1984	Gee	.....	D3/215
D277,710	S *	2/1985	Engle et al.	.....	D3/207
D285,529	S *	9/1986	Huxhold et al.	.....	D8/372
4,702,451	A *	10/1987	Salazar et al.	.....	248/309.1
D292,595	S *	11/1987	Tanaka	.....	D12/417
D299,246	S *	1/1989	Shepard	.....	D3/266
D299,247	S *	1/1989	Shepard	.....	D3/266
4,867,402	A *	9/1989	Benson et al.	.....	248/206.3
5,235,727	A *	8/1993	McCloskey	.....	24/3.3
D359,621	S *	6/1995	Spangler	.....	D3/318
D371,458	S *	7/1996	Valls et al.	.....	D3/266
D403,294	S *	12/1998	Baldwin et al.	.....	D12/417
D403,295	S *	12/1998	Baldwin et al.	.....	D12/417
6,135,407	A *	10/2000	Havis et al.	.....	248/309.1
D448,654	S *	10/2001	Snell	.....	D8/367
D491,792	S *	6/2004	Snell	.....	D8/367
D495,945	S *	9/2004	Fahy et al.	.....	D8/368
D496,257	S *	9/2004	Fields	.....	D8/367

(Continued)

*Primary Examiner* — T. Chase Nelson

(74) *Attorney, Agent, or Firm* — Renner, Otto, Boisselle & Sklar, LLP

(57) **CLAIM**

The ornamental design for an eyeglass/accessory holder, as shown and described.

**DESCRIPTION**

FIG. 1 is a perspective view of an eyeglass/accessory holder showing my new design.

FIG. 2 is a front view thereof.

FIG. 3 is a left side view thereof, the opposite side being a mirror image.

FIG. 4 is a top view thereof.

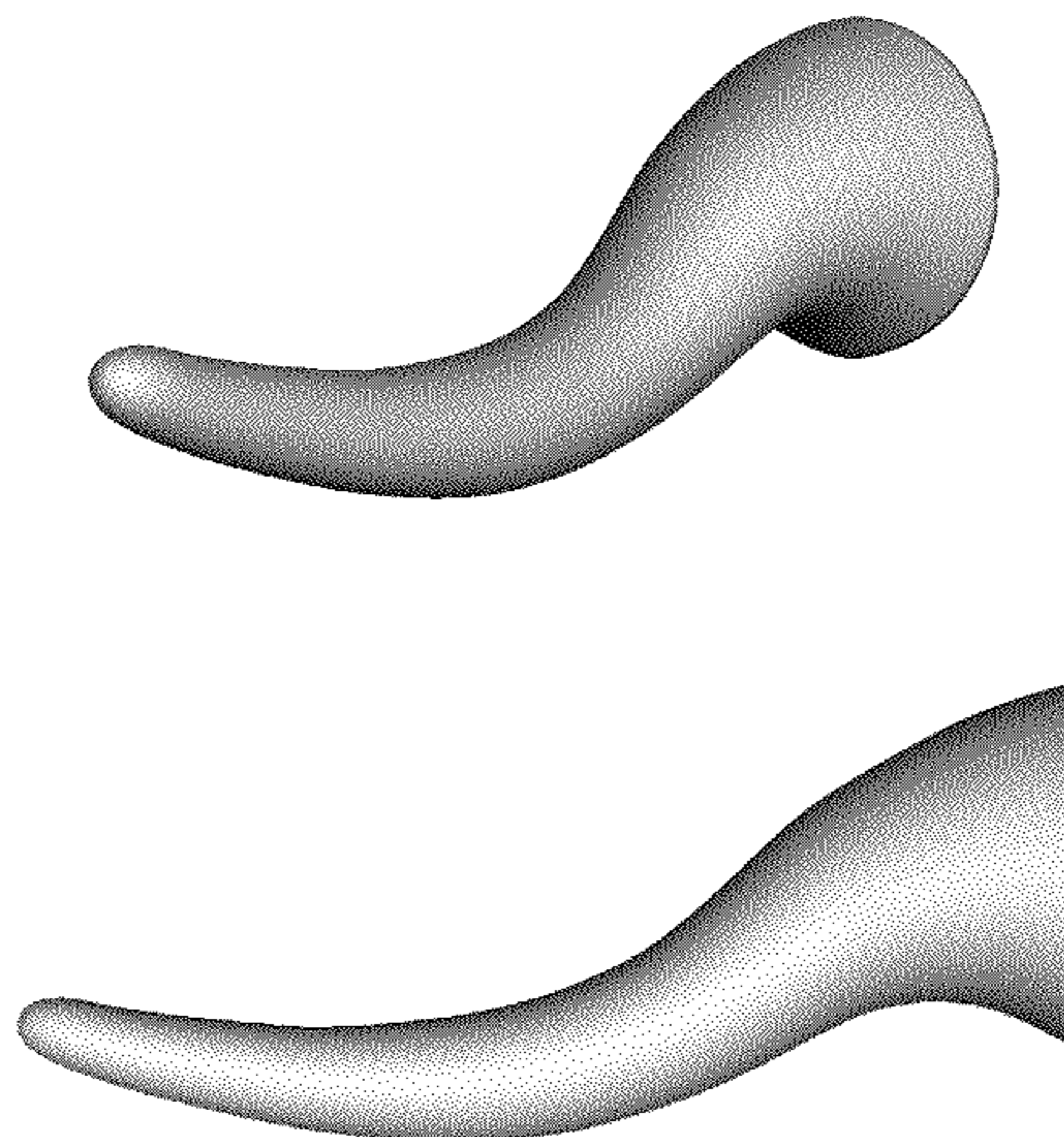
FIG. 5 is a bottom view thereof; and,

FIG. 6 is a back view thereof.

Surface shading is shown using rendered gray-scale throughout the drawing figures.

The broken lines forming a curvilinear shape in FIG. 6 represent internal boundaries of the claimed design and form no part thereof.

**1 Claim, 3 Drawing Sheets**



# US D741,062 S

Page 2

---

(56)

## References Cited

### U.S. PATENT DOCUMENTS

D569,101 S 5/2008 Wang et al.  
D581,258 S \* 11/2008 Portz ..... D8/367  
D627,570 S \* 11/2010 Simmons ..... D6/323

D641,228 S \* 7/2011 Qiblawi et al. .... D8/367  
D692,244 S \* 10/2013 Romero et al. .... D6/323  
D707,111 S \* 6/2014 Callif et al. .... D8/367  
8,777,020 B2 \* 7/2014 Winig et al. .... 211/85.1  
D716,134 S \* 10/2014 Pan et al. .... D8/372

\* cited by examiner



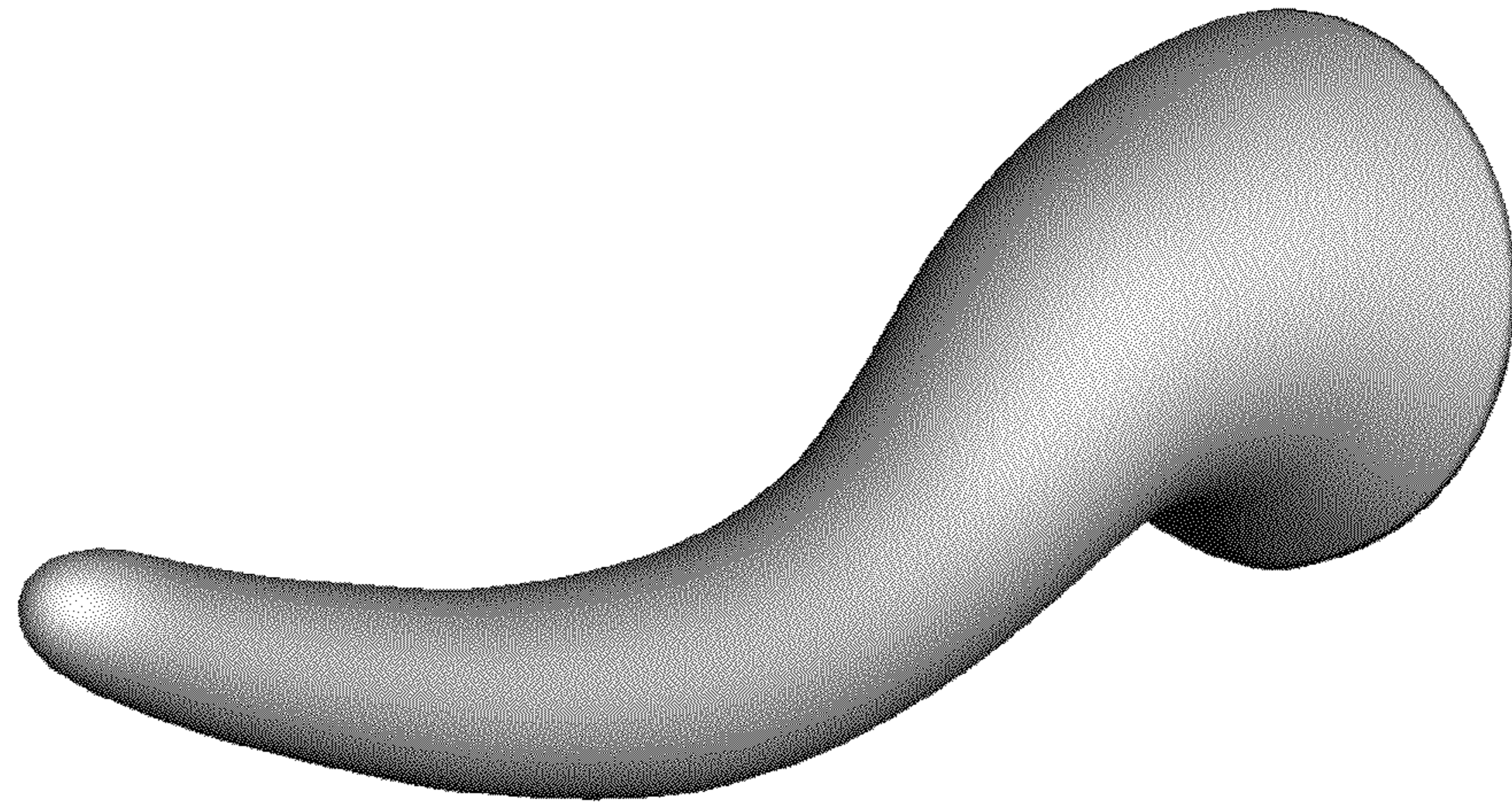


FIG. 1

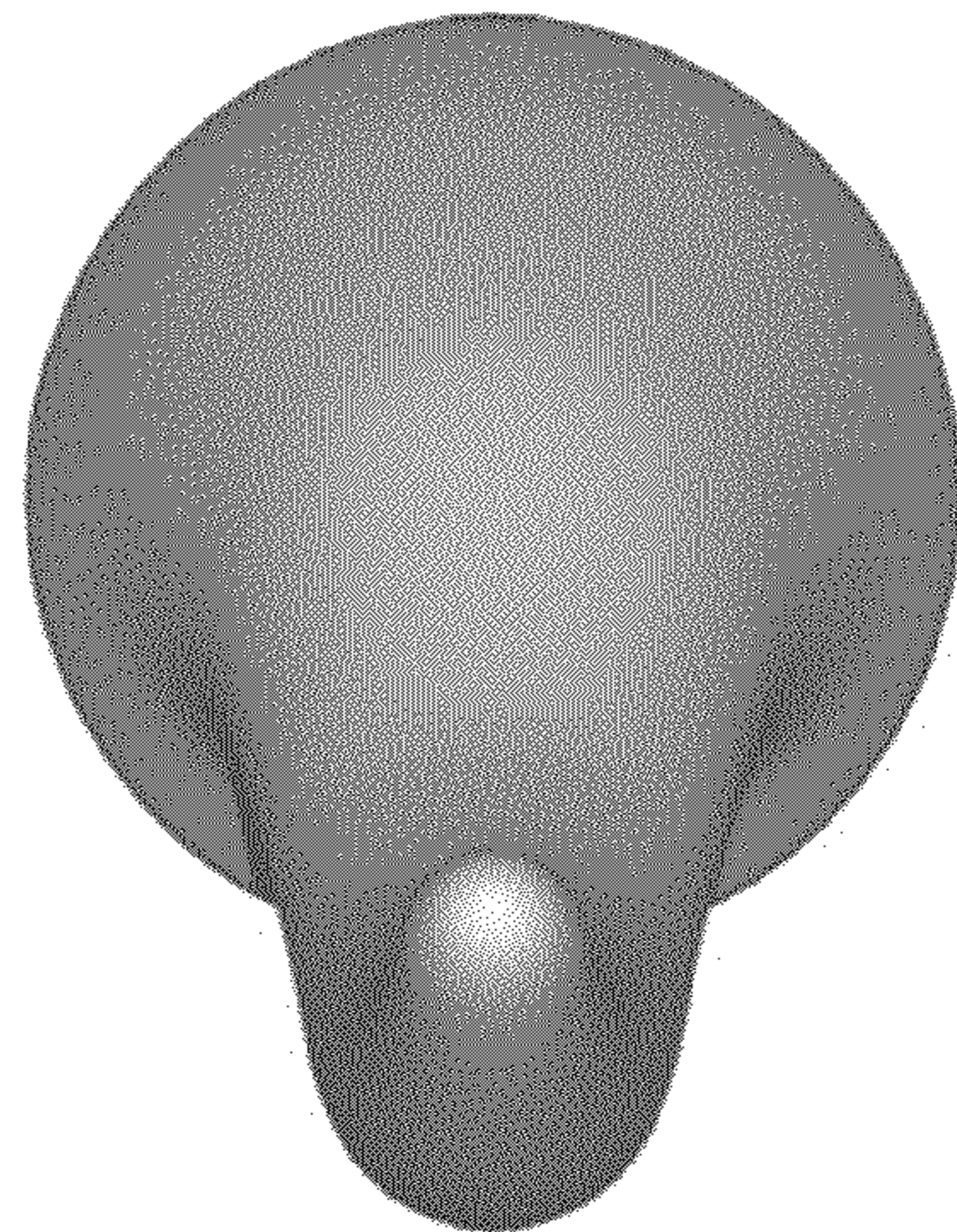


FIG. 2



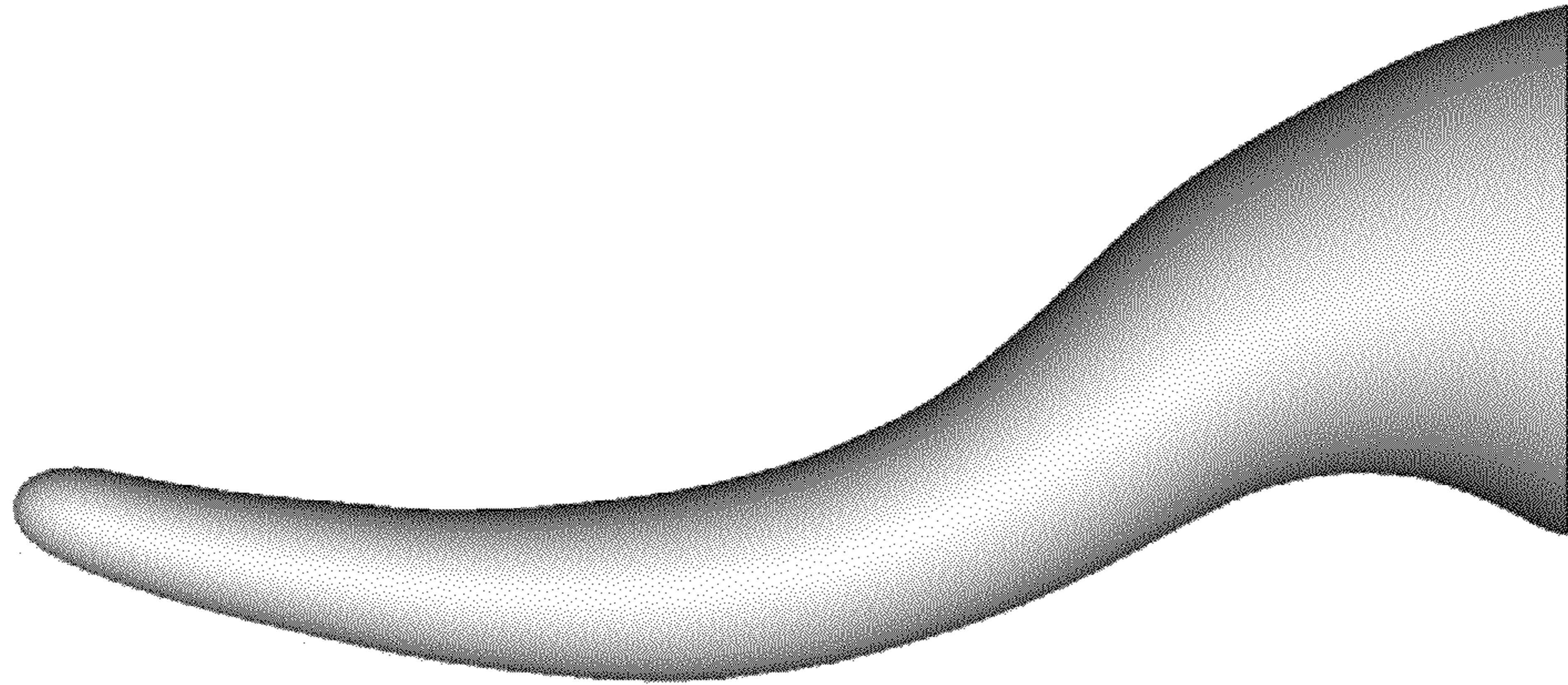


FIG. 3

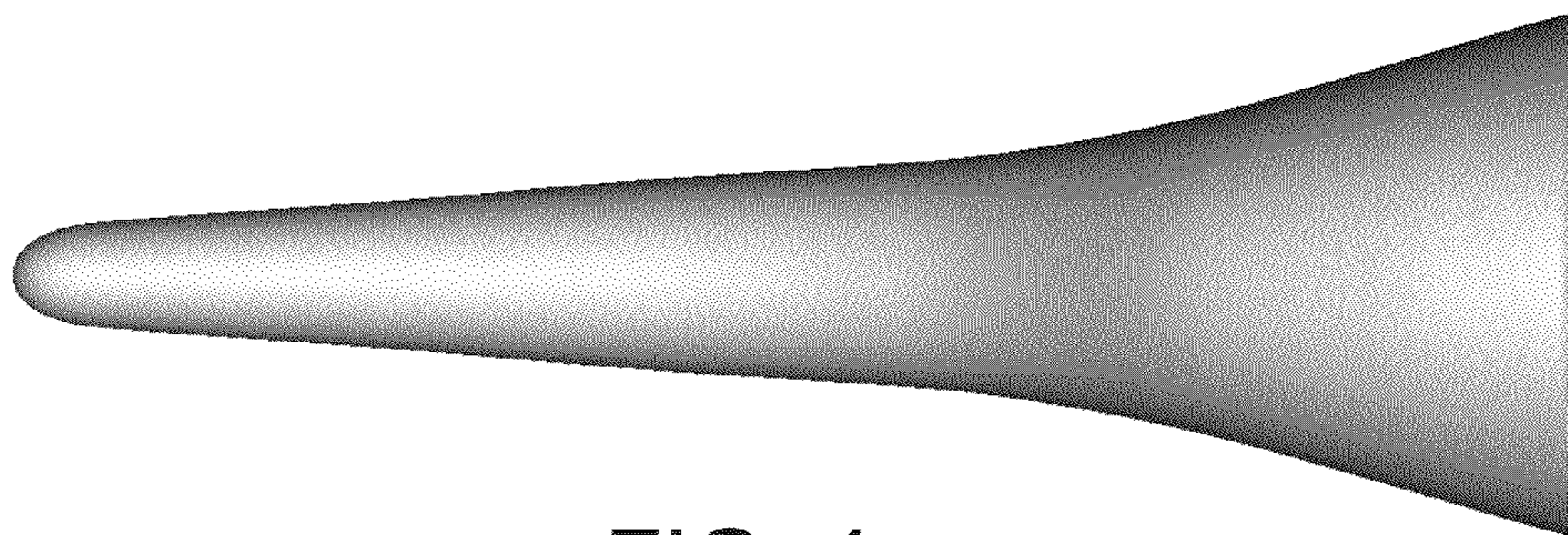


FIG. 4

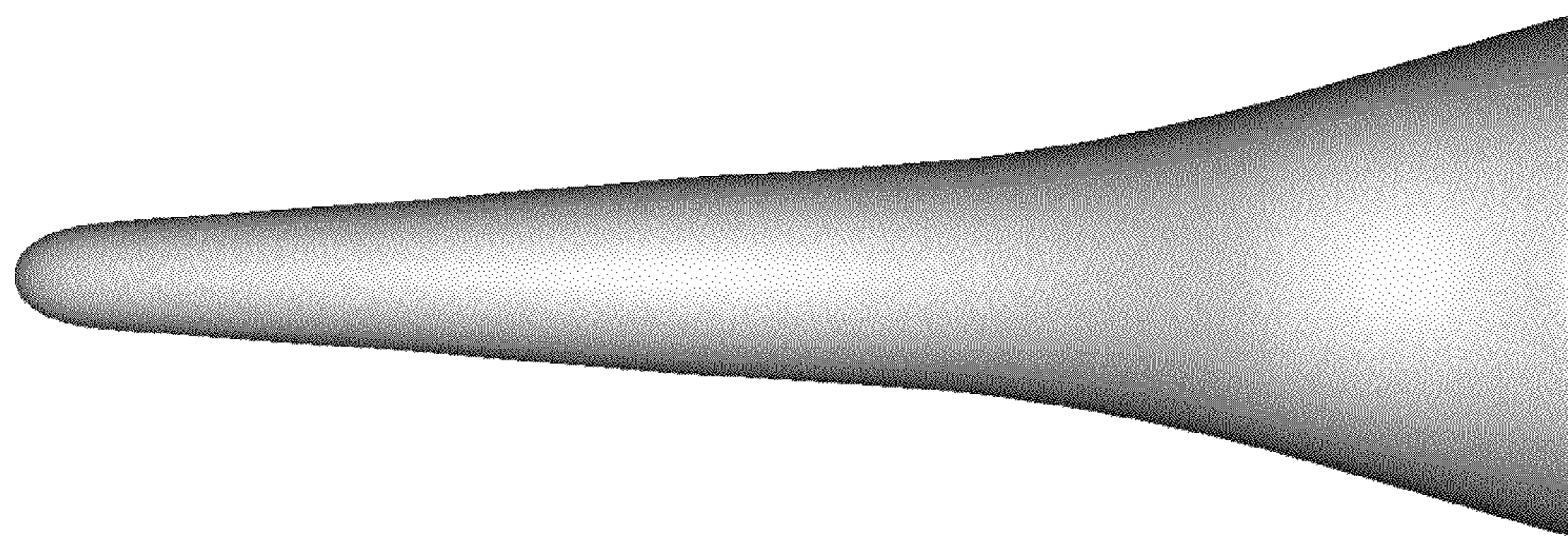


FIG. 5

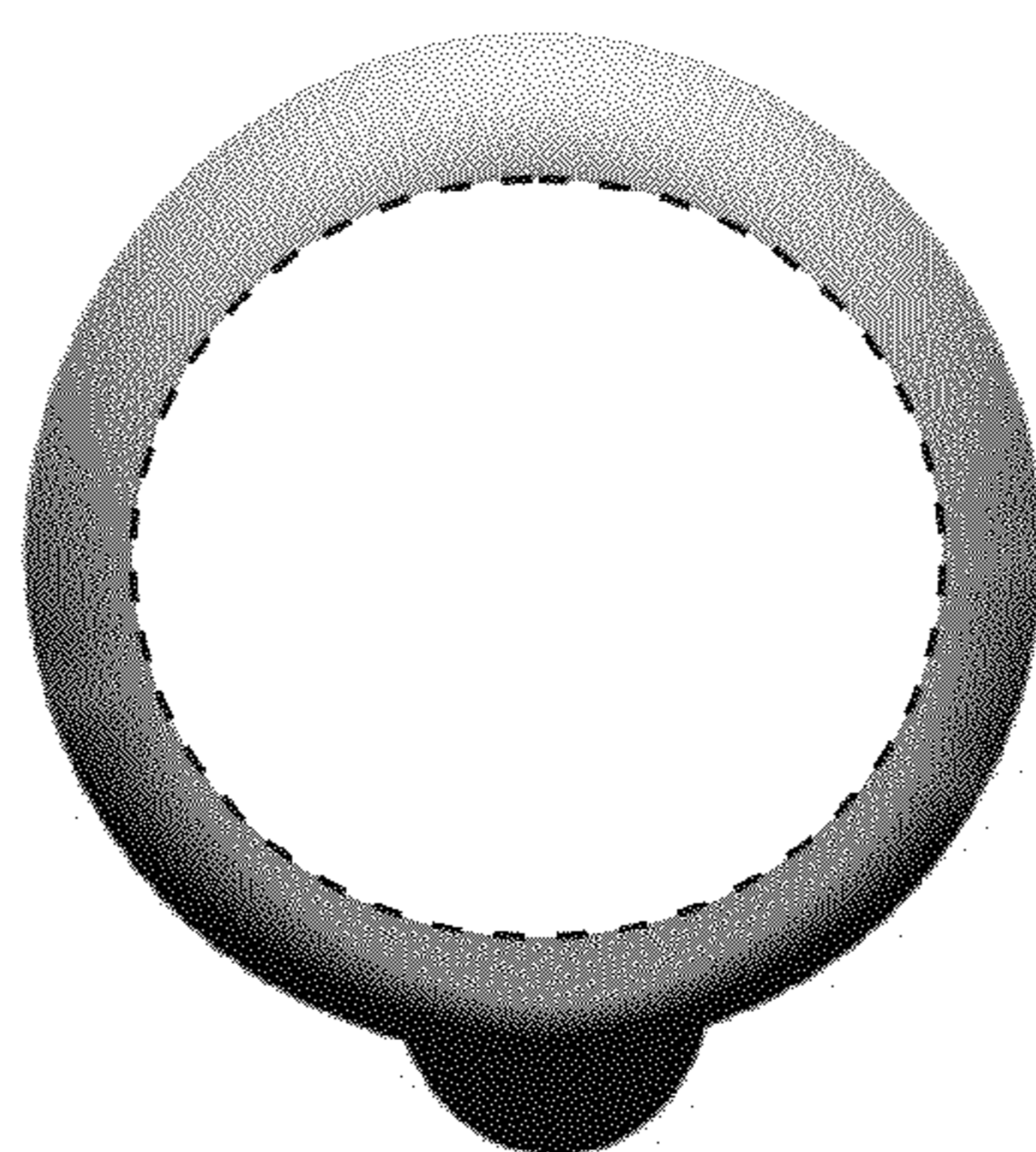


FIG. 6