



US00D741060S

(12) **United States Design Patent**
Votel et al.

(10) **Patent No.:** **US D741,060 S**
(45) **Date of Patent:** **** Oct. 20, 2015**

- (54) **LANYARD**
- (71) Applicants: **Thomas Votel**, Sunfish Lake, MN (US);
Nathan Bohmbach, Bloomington, MN (US)
- (72) Inventors: **Thomas Votel**, Sunfish Lake, MN (US);
Nathan Bohmbach, Bloomington, MN (US)
- (73) Assignee: **Tenacious Holdings, Inc.**, St. Paul, MN (US)

- 4,860,618 A 8/1989 Givot
- 4,944,747 A 7/1990 Newth et al.
- 5,056,661 A 10/1991 Balzano
- 5,082,156 A 1/1992 Braun
- 5,163,600 A 11/1992 Barbarich et al.
- 5,261,581 A 11/1993 Harden, Sr.
- 5,275,068 A 1/1994 Wrench
- 5,380,393 A 1/1995 Drabarek et al.
- 5,433,359 A 7/1995 Flowers
- 5,577,785 A 11/1996 Traber et al.
- 5,593,460 A 1/1997 Lessard
- 5,658,258 A 8/1997 Kneer et al.
- 5,738,152 A 4/1998 Crittenden
- 5,913,464 A 6/1999 Haberlein

(Continued)

(**) Term: **14 Years**

(21) Appl. No.: **29/485,565**

(22) Filed: **Mar. 20, 2014**

Related U.S. Application Data

- (63) Continuation-in-part of application No. 14/020,929, filed on Sep. 9, 2013.
- (51) **LOC (10) Cl.** **03-01**
- (52) **U.S. Cl.**
USPC **D3/228**
- (58) **Field of Classification Search**
USPC D3/228, 215; 224/220-222, 254, 267,
224/661, 901.4, 901.8; 24/3.2, 3.7, 3.13;
280/822

See application file for complete search history.

(56) **References Cited**

U.S. PATENT DOCUMENTS

- 3,993,109 A 11/1976 Fortsch
- 4,051,584 A 10/1977 Huser
- 4,321,952 A 3/1982 Natkins
- 4,508,221 A 4/1985 Olson
- 4,515,423 A 5/1985 Moore et al.
- 4,606,484 A 8/1986 Winter et al.
- 4,728,123 A * 3/1988 Kassal et al. 280/822
- 4,828,154 A 5/1989 Clifton, Jr.
- 4,860,617 A 8/1989 Robbins

FOREIGN PATENT DOCUMENTS

CH 672236 A5 11/1989

OTHER PUBLICATIONS

3M Low Voltage Cold Shrink brochure; 1998; 8 pages.

(Continued)

Primary Examiner — Catheri Oliver-Garcia

(74) *Attorney, Agent, or Firm* — Skaar Ulbrich Macari, P.A.

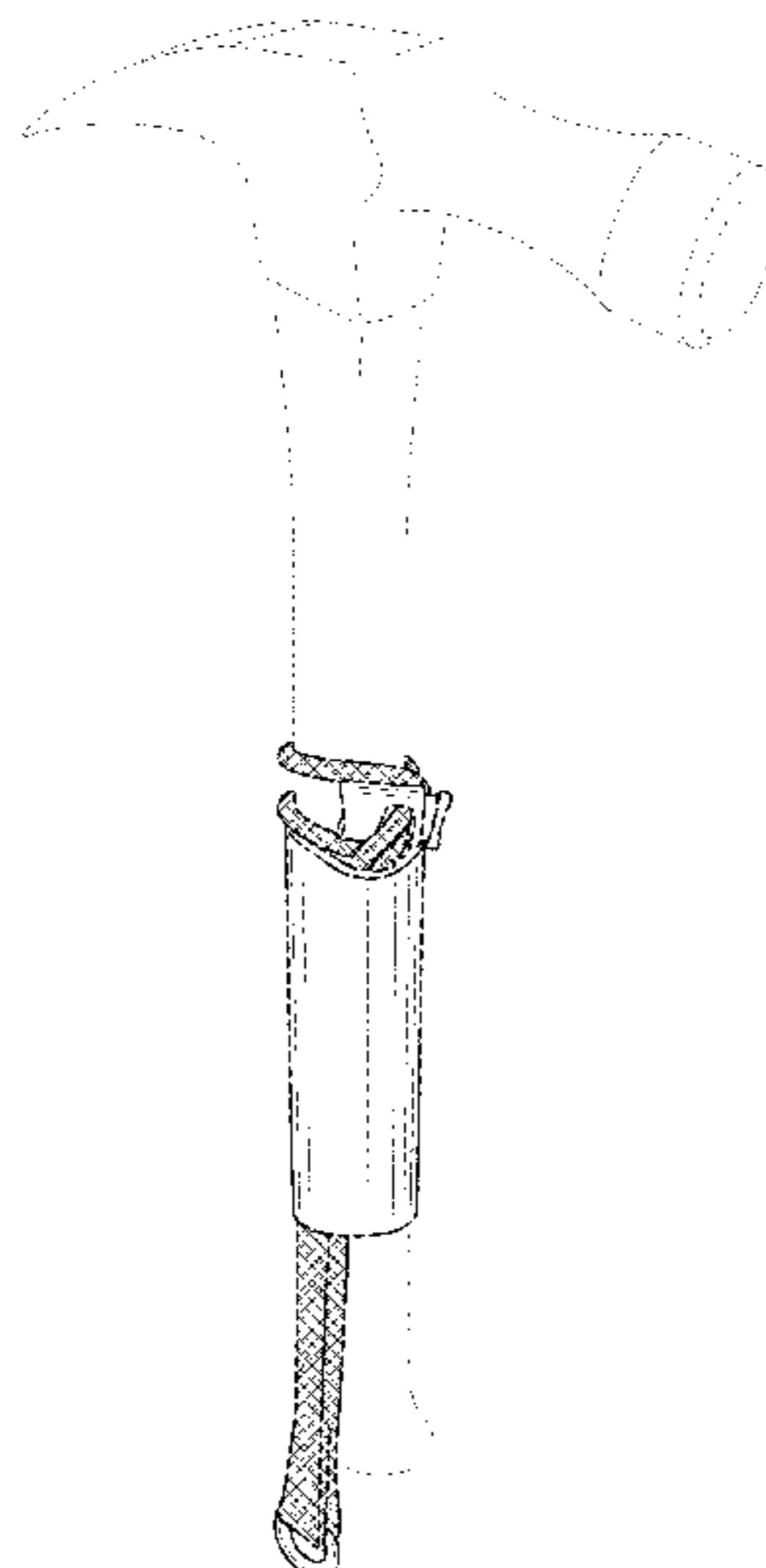
(57) **CLAIM**

We claim the ornamental design for a lanyard, as shown and described.

DESCRIPTION

FIG. 1 is a perspective view of our lanyard.
 FIG. 2 is a side elevation view thereof.
 FIG. 3 is a side elevation view thereof.
 FIG. 4 is a front elevation view thereof.
 FIG. 5 is a rear elevation view thereof.
 FIG. 6 is a top plan view thereof; and,
 FIG. 7 is a bottom plan view thereof.
 The broken lines in the drawings illustrate features of the article to which the design is applied that forms no part of the claim.

1 Claim, 5 Drawing Sheets



(56)

References Cited

U.S. PATENT DOCUMENTS

6,021,783 A 2/2000 Phillips
 6,029,321 A 2/2000 Fisher
 6,082,468 A 7/2000 Pusateri et al.
 6,105,470 A 8/2000 Hutchins
 6,155,354 A 12/2000 Pusateri et al.
 6,216,319 B1 4/2001 Elkins
 6,217,762 B1 4/2001 Rooney et al.
 D449,929 S * 11/2001 Rhoads et al. D3/228
 6,338,375 B1 1/2002 Harada
 6,360,928 B1 3/2002 Russo
 6,397,711 B1 6/2002 Marek
 6,402,002 B1 6/2002 Benton
 6,487,756 B1 12/2002 Vidal et al.
 6,641,011 B1 11/2003 Kahn
 D488,924 S * 4/2004 Miller D3/228
 6,820,906 B1 11/2004 McClendon
 6,988,939 B2 1/2006 Hofmann et al.
 7,032,482 B1 4/2006 Hoffman
 7,111,528 B1 9/2006 Foster

7,168,331 B1 1/2007 Bernard et al.
 7,186,909 B2 3/2007 Bee, Jr. et al.
 7,261,349 B1 8/2007 Gregor
 7,536,925 B2 5/2009 Bernard et al.
 7,997,787 B2 8/2011 Blair
 8,146,785 B2 * 4/2012 Pruitt 224/219
 8,236,007 B2 8/2012 Persson
 8,266,719 B2 9/2012 Duby
 8,359,949 B2 1/2013 Onello et al.
 8,365,340 B2 2/2013 Barstad et al.
 8,403,132 B2 3/2013 Moreau et al.
 8,561,531 B2 10/2013 Rooth
 D700,775 S * 3/2014 Hintze D3/228
 2005/0283952 A1 12/2005 Talbot et al.
 2012/0267403 A1 10/2012 Ward, Jr.

OTHER PUBLICATIONS

International Search Report and Written Opinion for PCT/US 2014/010258 (Apr. 24, 2014), 7 pages.

* cited by examiner

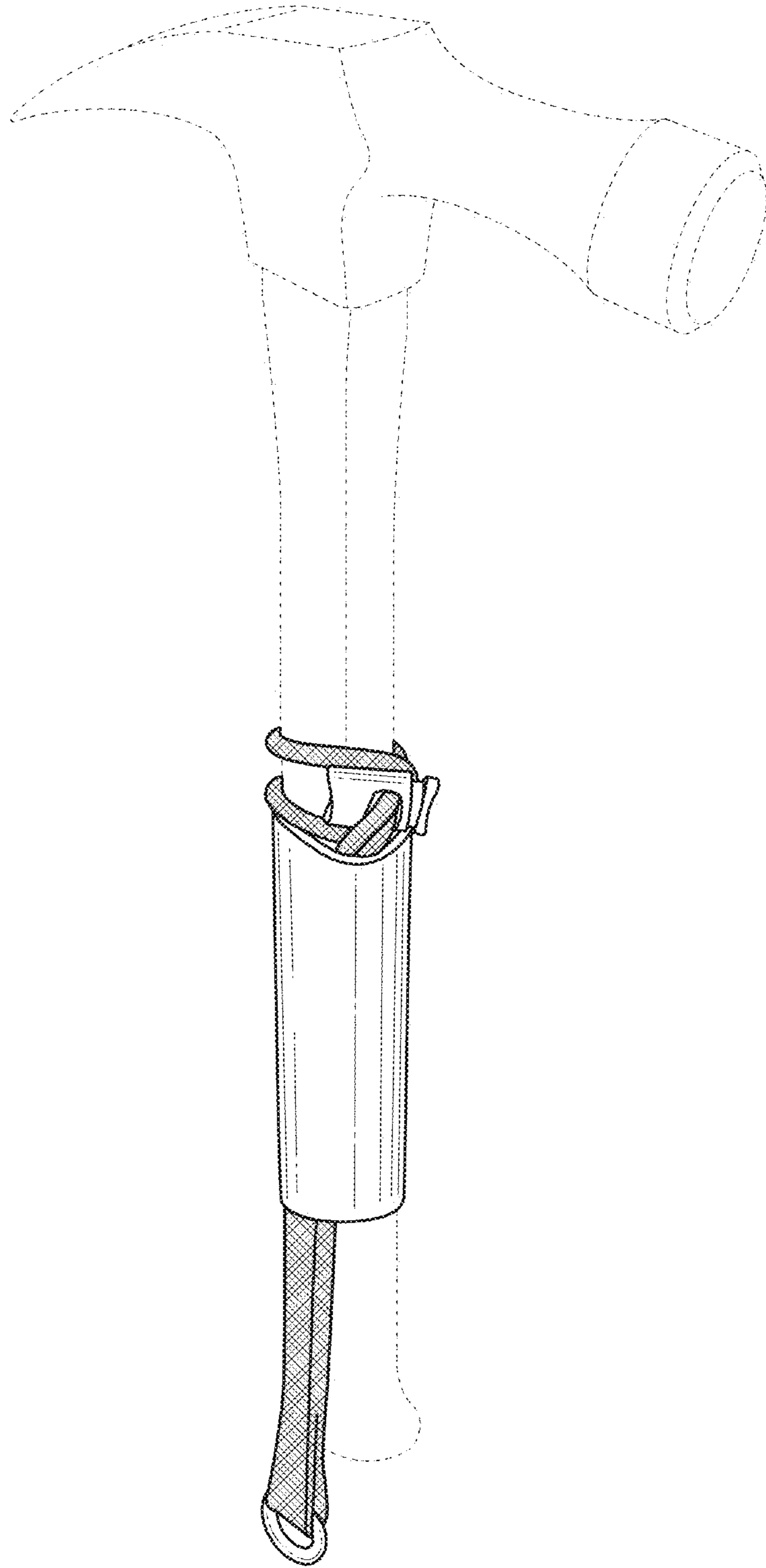


Fig. 1

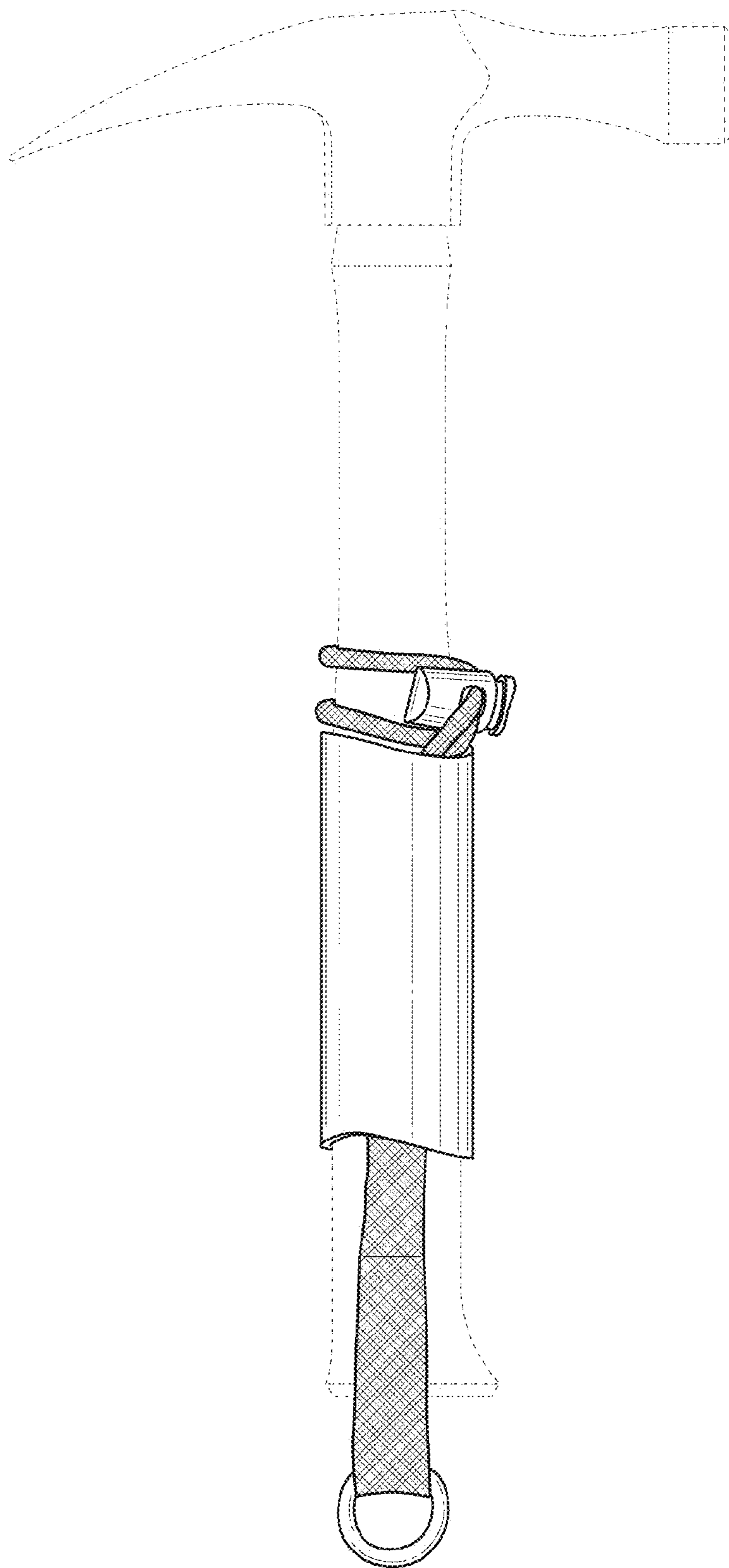


Fig. 2

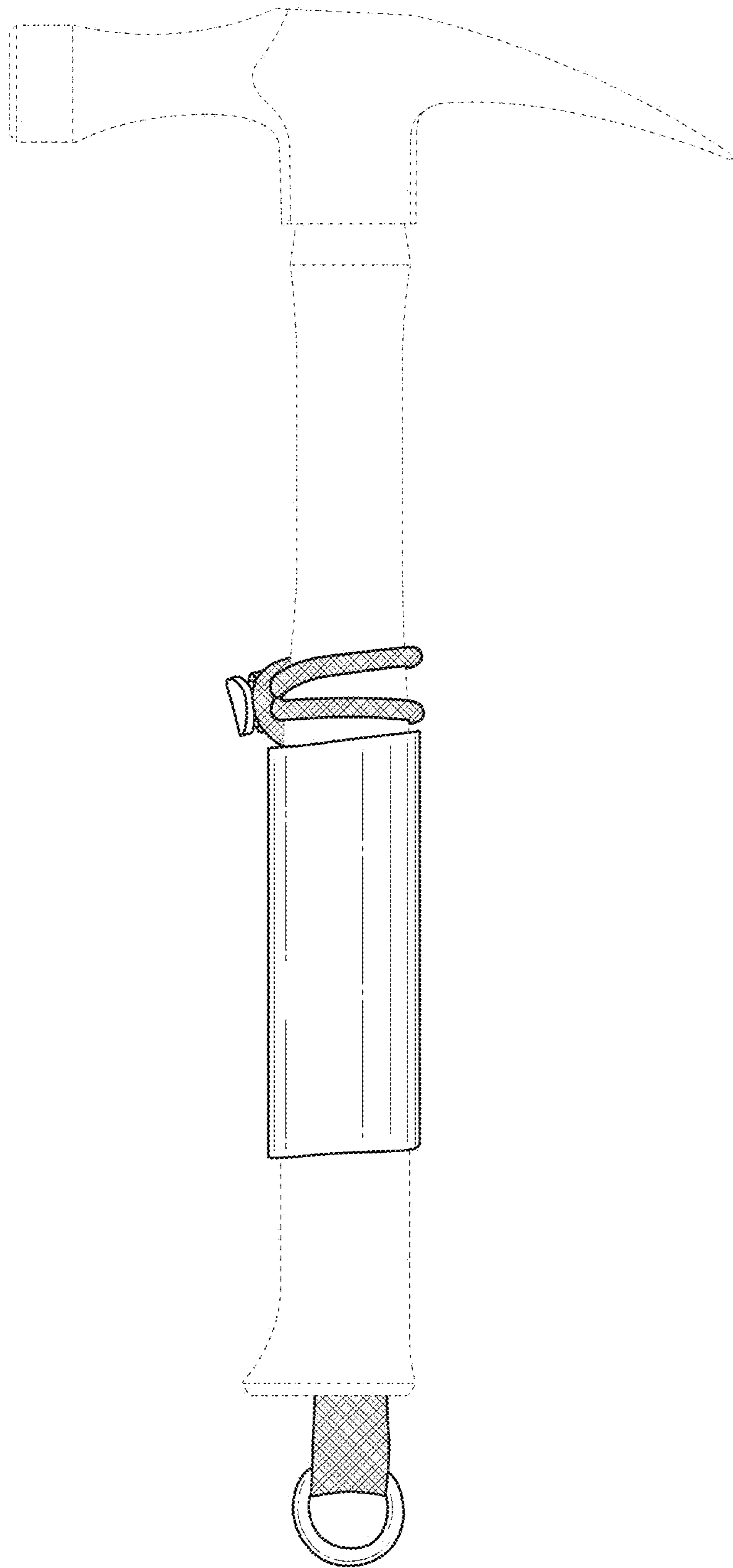


Fig. 3

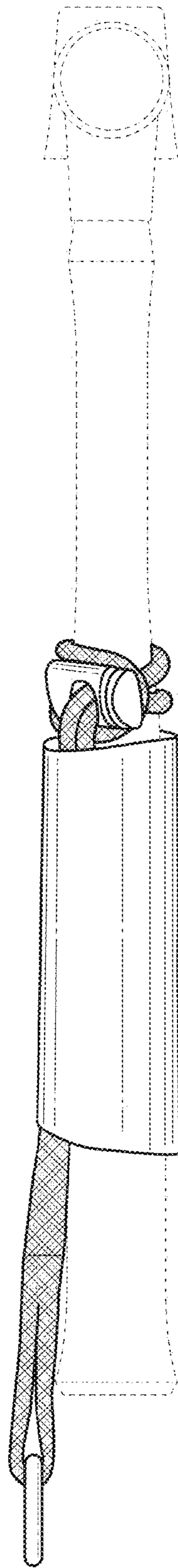


Fig. 4

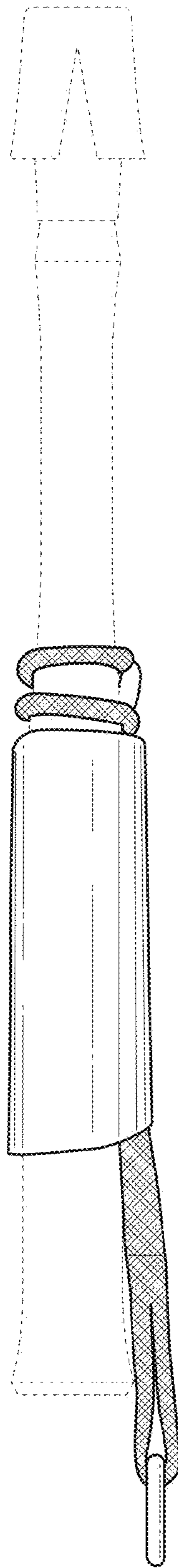


Fig. 5

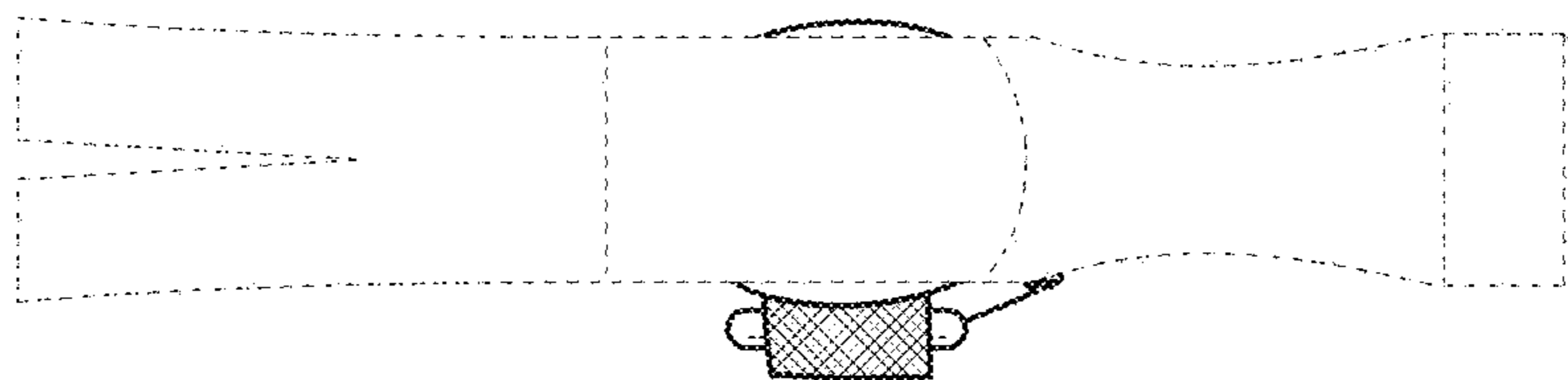


Fig. 6

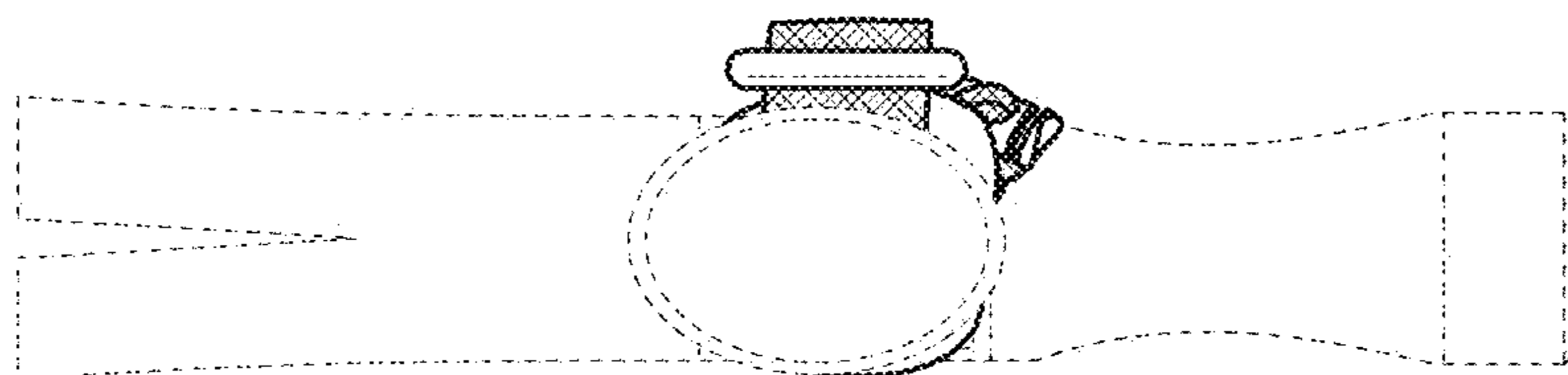


Fig. 7