



US00D741058S

(12) **United States Design Patent**
Wiederman

(10) **Patent No.:** **US D741,058 S**
(45) **Date of Patent:** **** Oct. 20, 2015**

(54) **PILL CONTAINER**

D625,911 S * 10/2010 Lee D3/203.2
D635,031 S * 3/2011 Themann D9/520
D695,511 S * 12/2013 Sharpe D3/203.2

(71) Applicant: **Vure LLC**, Monsey, NY (US)

* cited by examiner

(72) Inventor: **Moshe Wiederman**, Monsey, NY (US)

Primary Examiner — Catheri Oliver-Garcia

(73) Assignee: **VURE LLC**, Monsey, NY (US)

(74) *Attorney, Agent, or Firm* — Notaro, Michalos & Zaccaria P.C.

(**) Term: **14 Years**

(57) **CLAIM**

(21) Appl. No.: **29/493,218**

The ornamental design for a pill container, as shown and described.

(22) Filed: **Jun. 6, 2014**

DESCRIPTION

(51) **LOC (10) Cl.** **03-01**

(52) **U.S. Cl.**
USPC **D3/203.2**

(58) **Field of Classification Search**
USPC D3/201–205; 222/542, 548, 551, 571;
D9/432, 435, 454, 516, 520, 523, 560,
D9/738

See application file for complete search history.

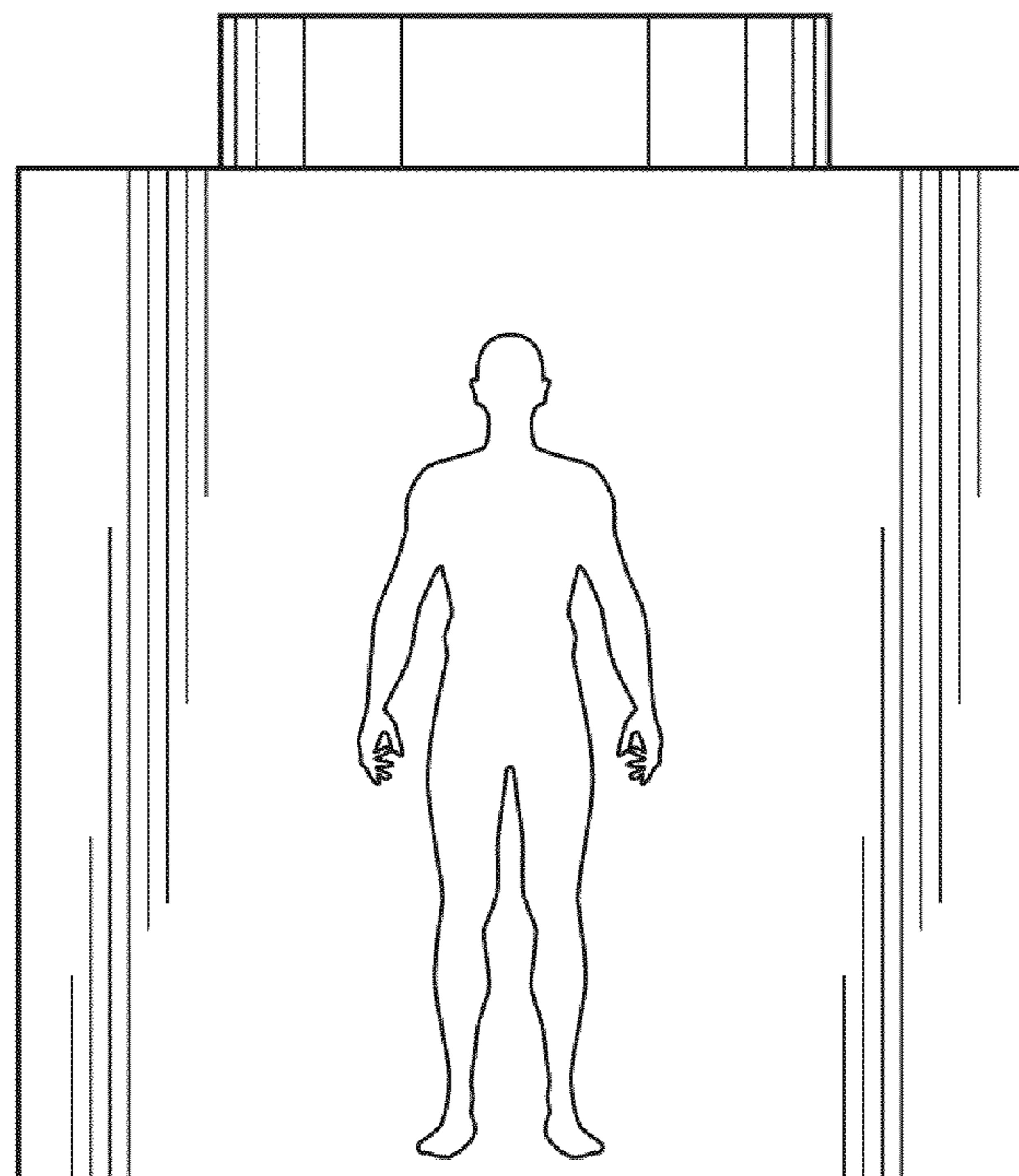
FIG. 1 is a top, front, side perspective view of a pill container showing my design therefor;
FIG. 2 is a bottom, rear, opposite side thereof;
FIG. 3 is a front elevational view thereof, the sides and rear being the same;
FIG. 4 is a sectional view taken along line 4-4 of FIG. 3 for the purpose of showing the contour of the lower recess, the broken lines indicating environment and forming no part of the design
FIG. 5 is a top plan view thereof;
FIG. 6 is a bottom plan view thereof; and,
FIG. 7 is a side elevational view of an alternate embodiment with all other views being the same as the embodiments of FIGS. 1-6. thereof.

(56) **References Cited**

U.S. PATENT DOCUMENTS

D107,145 S * 11/1937 Barnhart D9/432
D316,965 S * 5/1991 Arvidson D9/520
D515,940 S * 2/2006 Kratko D9/560
D602,366 S * 10/2009 Restive D9/523
D612,735 S * 3/2010 Leclair D9/516

1 Claim, 4 Drawing Sheets



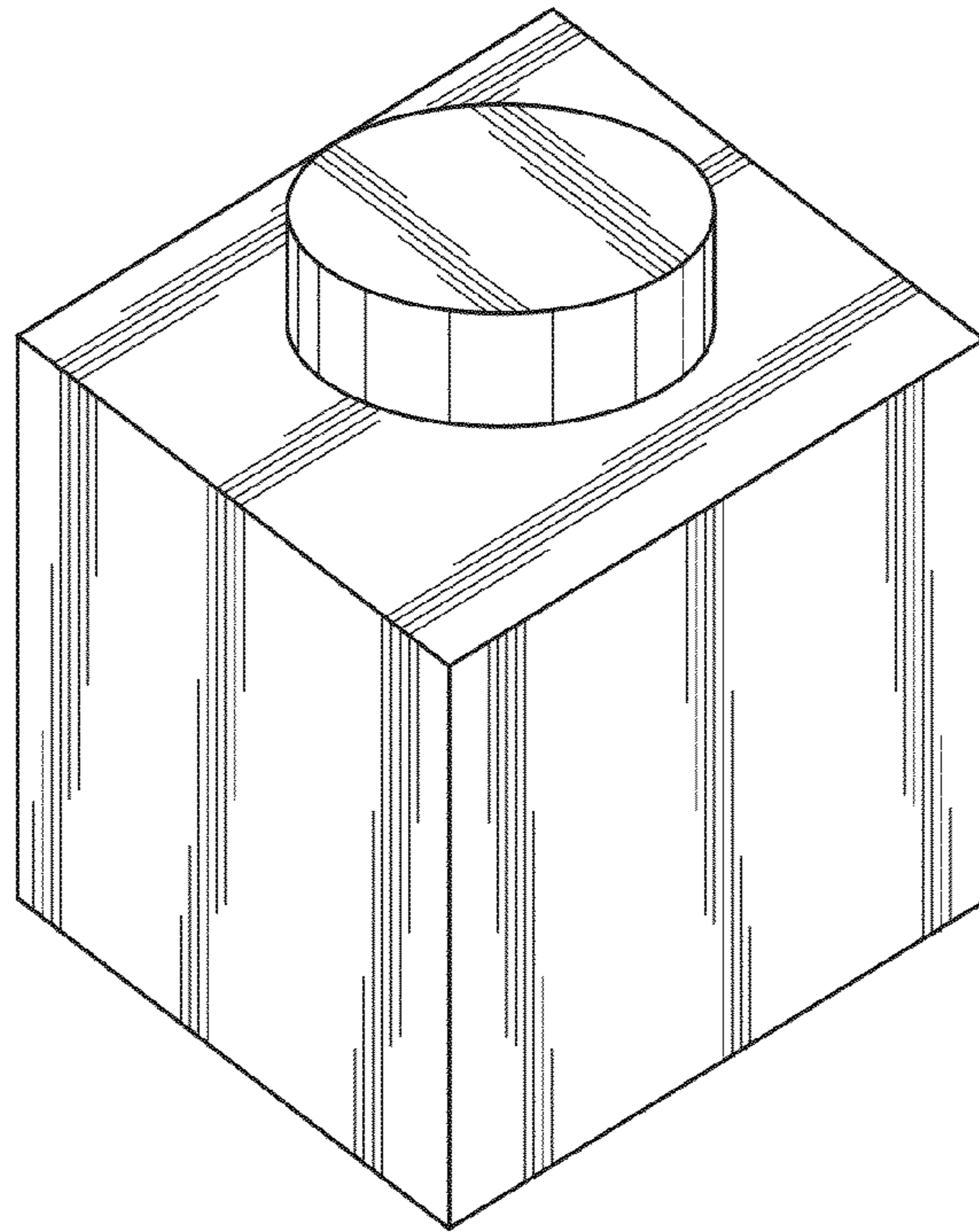


FIG. 1

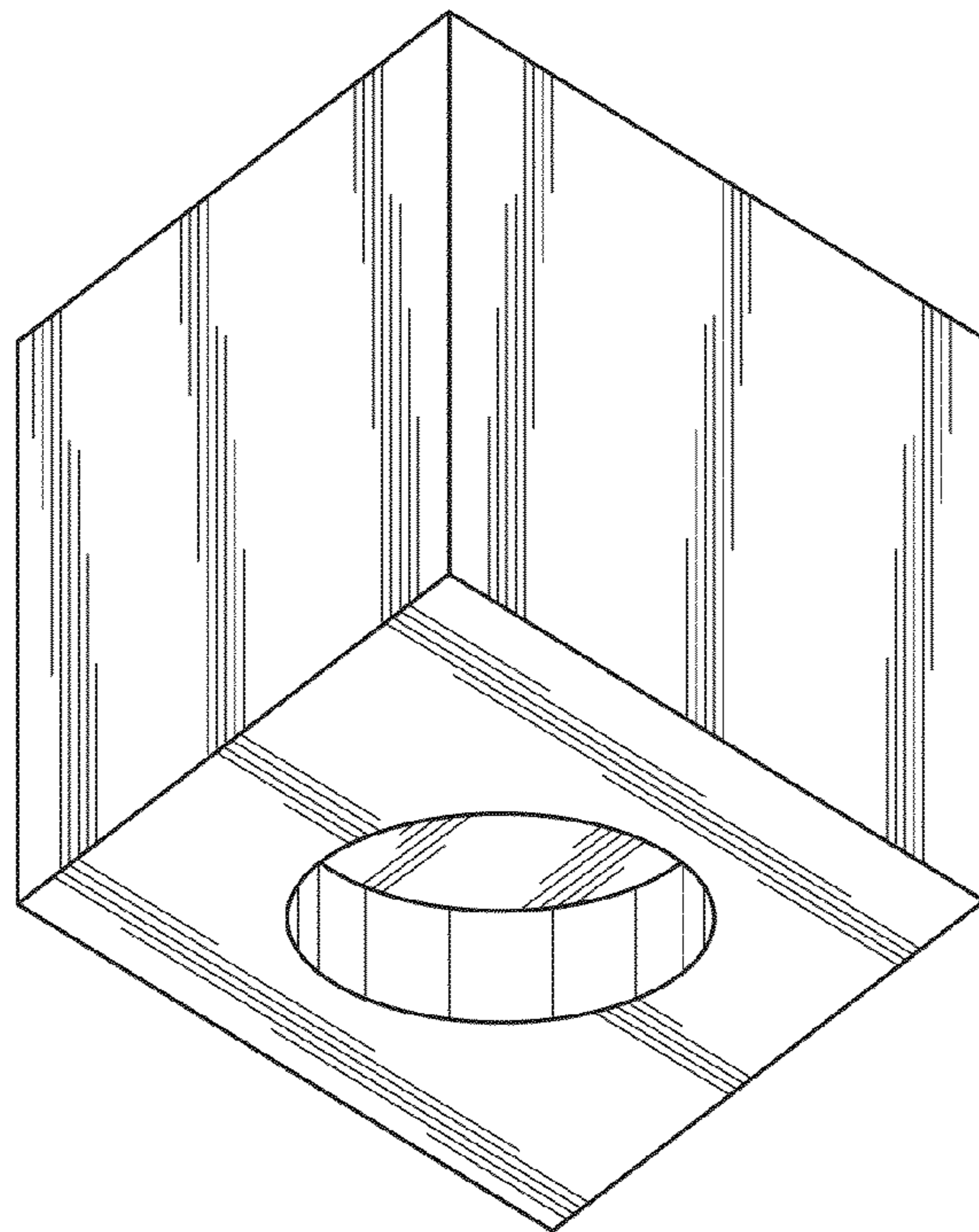


FIG. 2

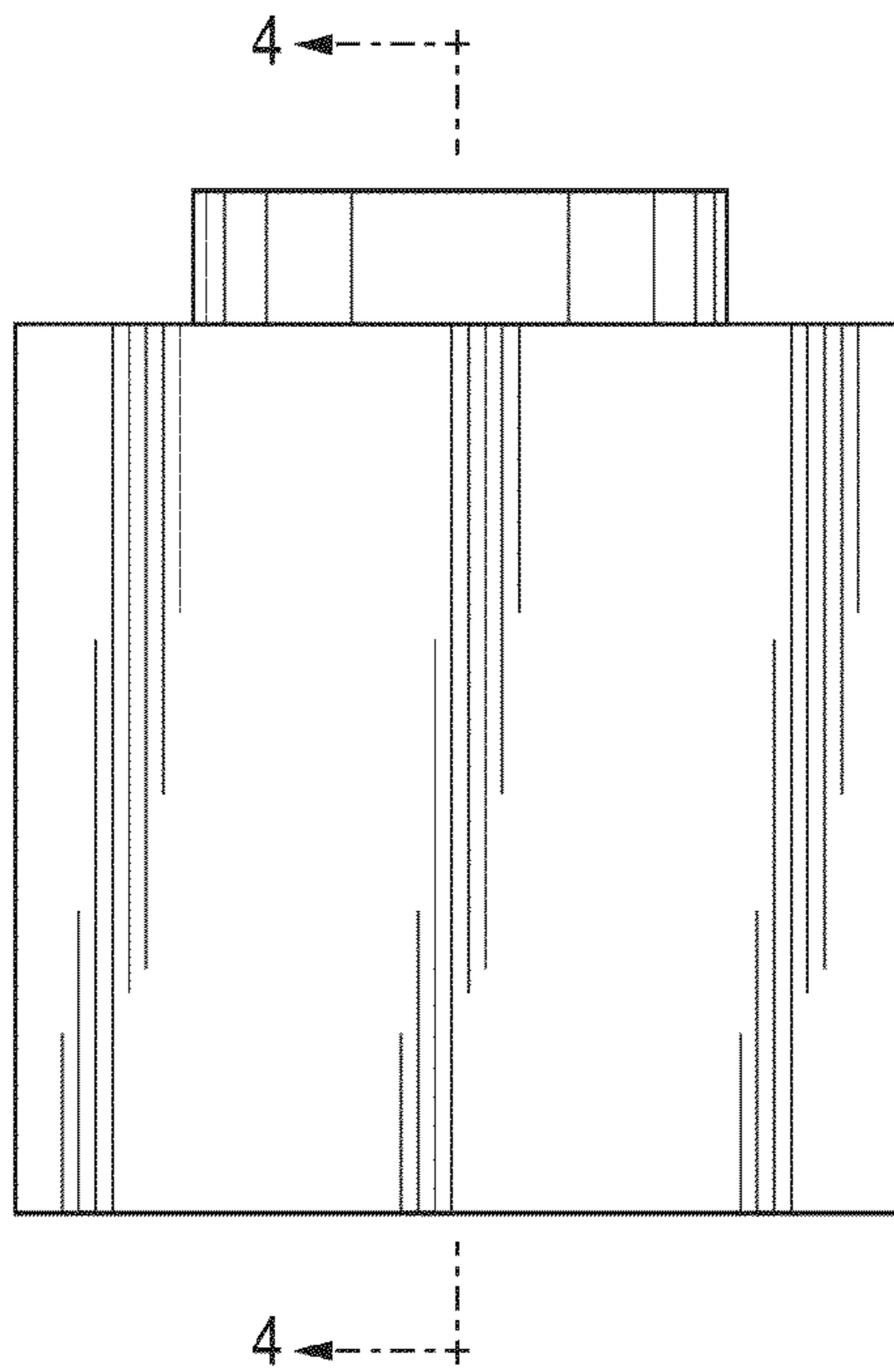


FIG. 3

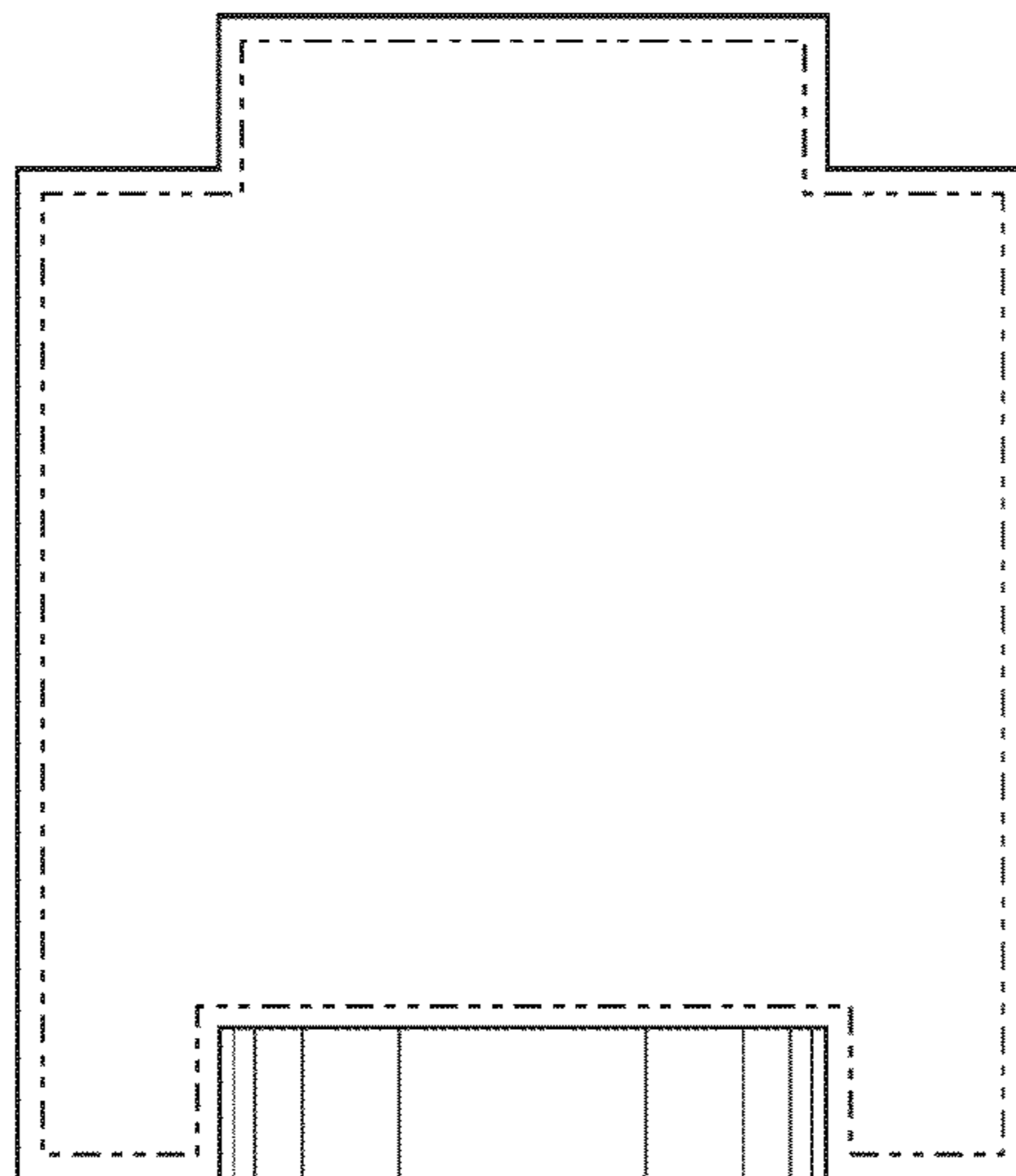


FIG. 4

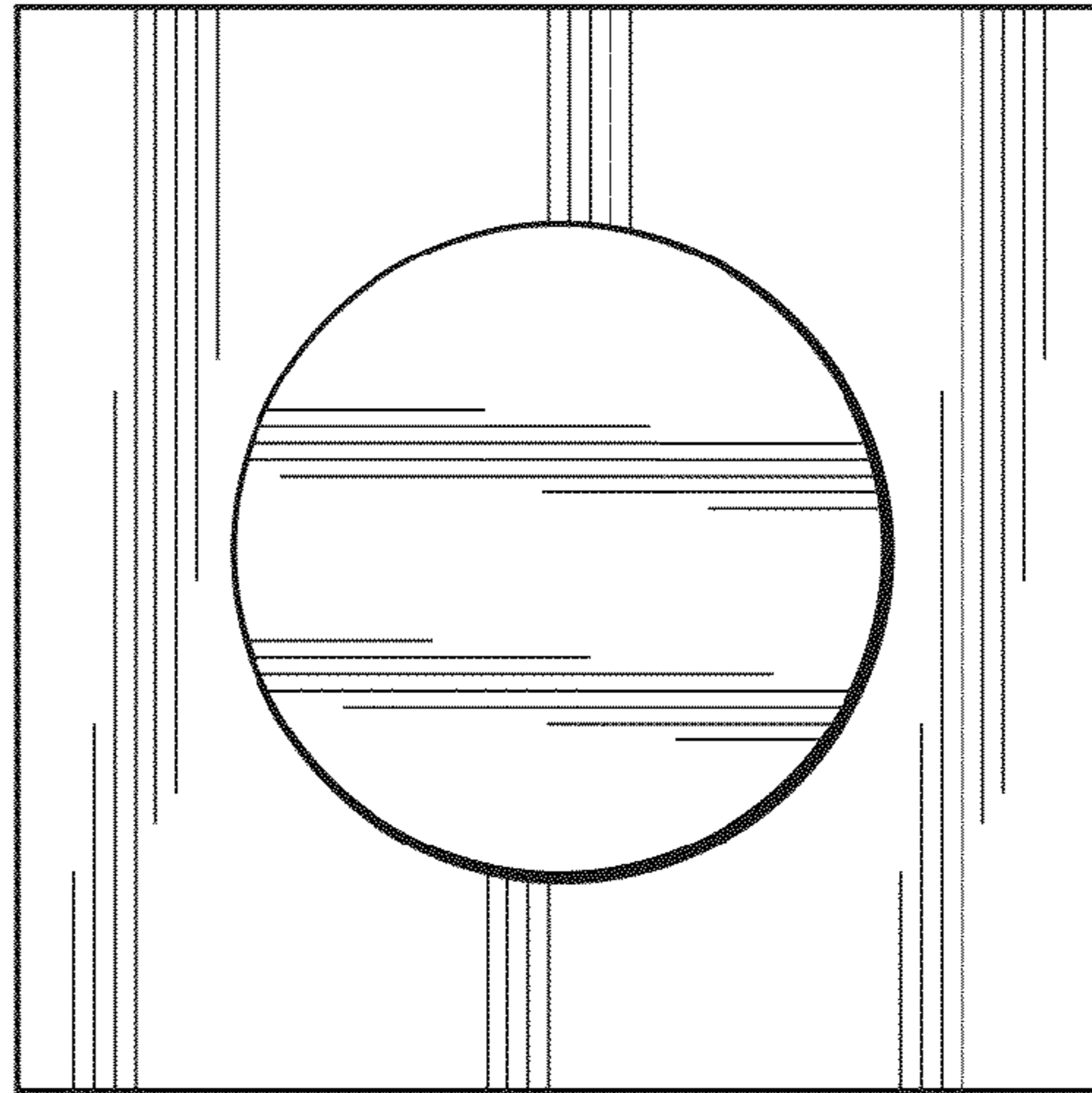


FIG. 5

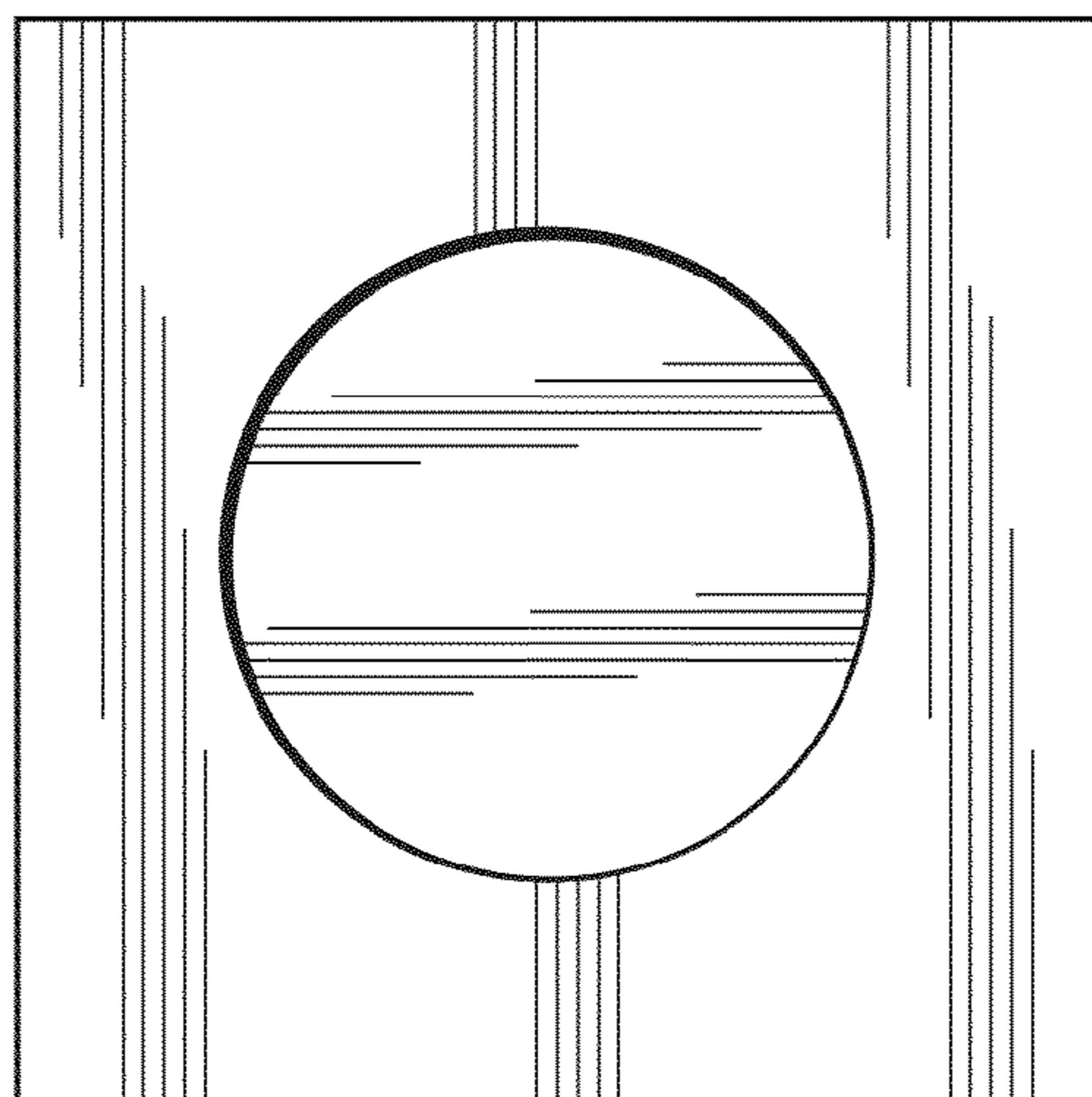


FIG. 6

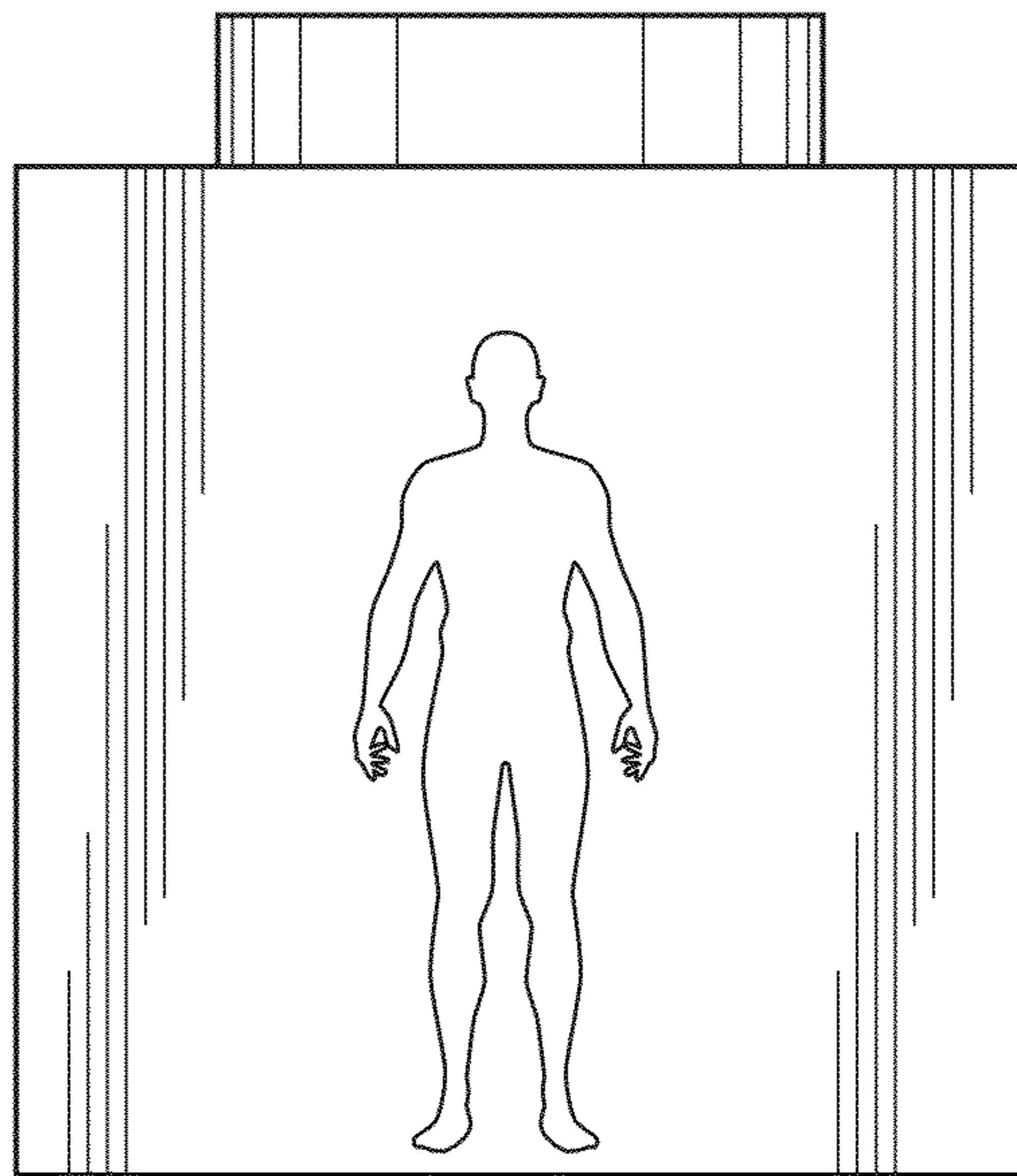


FIG. 7