



US00D741057S

(12) **United States Design Patent**
Birnbaum

(10) **Patent No.:** **US D741,057 S**
(45) **Date of Patent:** **** Oct. 20, 2015**

(54) **SHOE FOR CANES AND CRUTCHES**

(71) Applicant: **Bernardo Birnbaum**, Aventura, FL (US)

(72) Inventor: **Bernardo Birnbaum**, Aventura, FL (US)

(**) Term: **14 Years**

(21) Appl. No.: **29/482,925**

(22) Filed: **Feb. 24, 2014**

(51) **LOC (10) Cl.** **03-03**

(52) **U.S. Cl.**
USPC **D3/17**

(58) **Field of Classification Search**
USPC D3/5-17; 135/66-69, 72, 74, 75;
D21/725, 780
CPC A45B 9/04; A61H 3/0288; A61H 3/0277
See application file for complete search history.

(56) **References Cited**

U.S. PATENT DOCUMENTS

5,331,989	A *	7/1994	Stephens	135/65
5,409,029	A *	4/1995	Davis	135/68
D442,123	S *	5/2001	Johnston	D12/133
D481,531	S *	11/2003	Haythornthwaite	D3/12

D610,792	S *	3/2010	Ozuna et al.	D3/17
D628,791	S *	12/2010	Ozuna et al.	D3/17
D680,730	S *	4/2013	Ozuna	D3/17
8,408,224	B2 *	4/2013	Ozuna et al.	135/84
8,636,306	B2 *	1/2014	McBride	280/821
8,662,094	B2 *	3/2014	Amladi	135/84
8,844,548	B2 *	9/2014	Soletski et al.	135/84
2009/0255562	A1 *	10/2009	Ruddy	135/77

* cited by examiner

Primary Examiner — John Windmuller

(74) *Attorney, Agent, or Firm* — Jesus Sanchelima, Esq.;
Christian Sanchelima, Esq.

(57) **CLAIM**

The ornamental design for a shoe for canes and crutches, as shown and described.

DESCRIPTION

FIG. 1 is a top elevation view of a shoe for canes and crutches showing my new design;

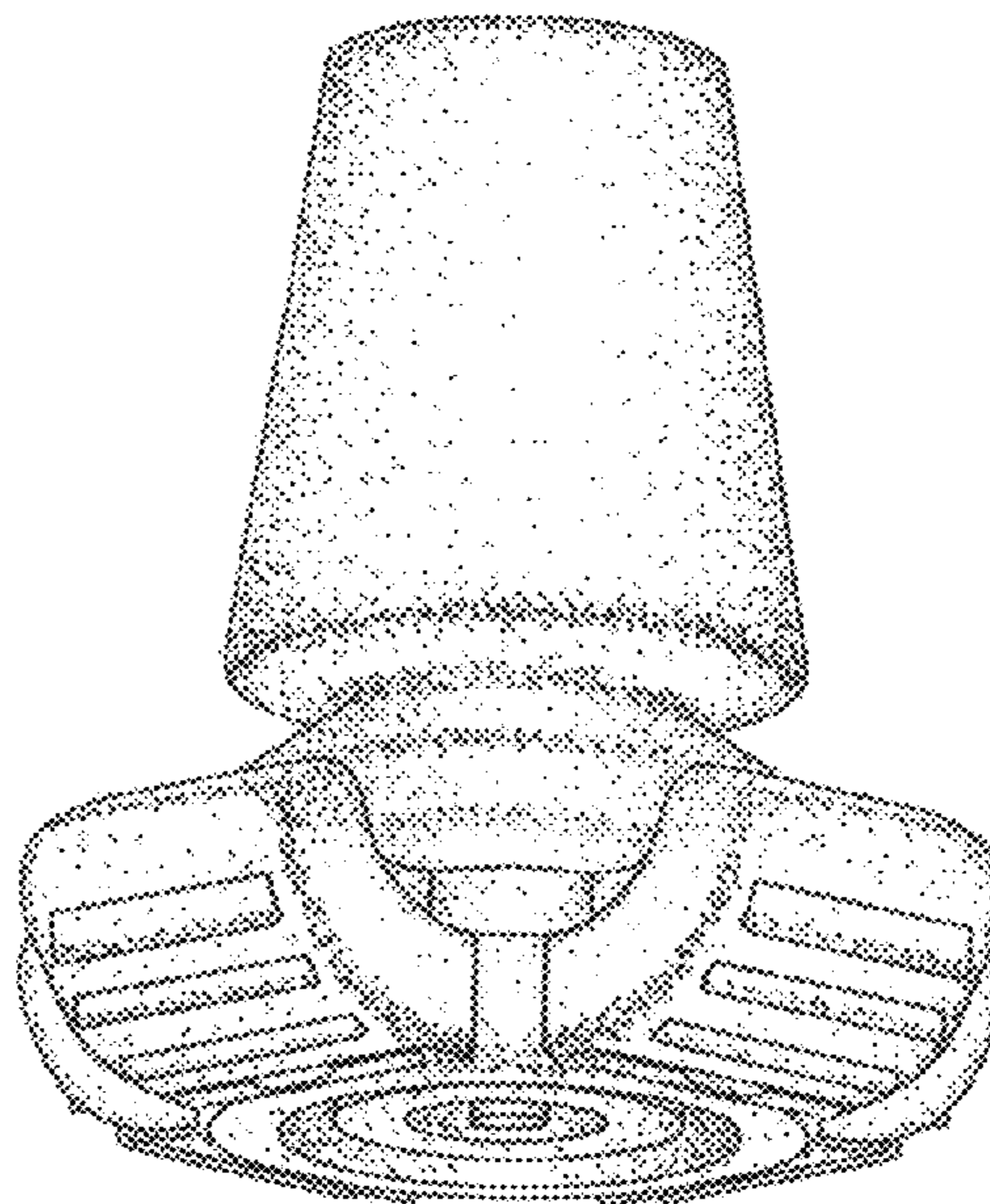
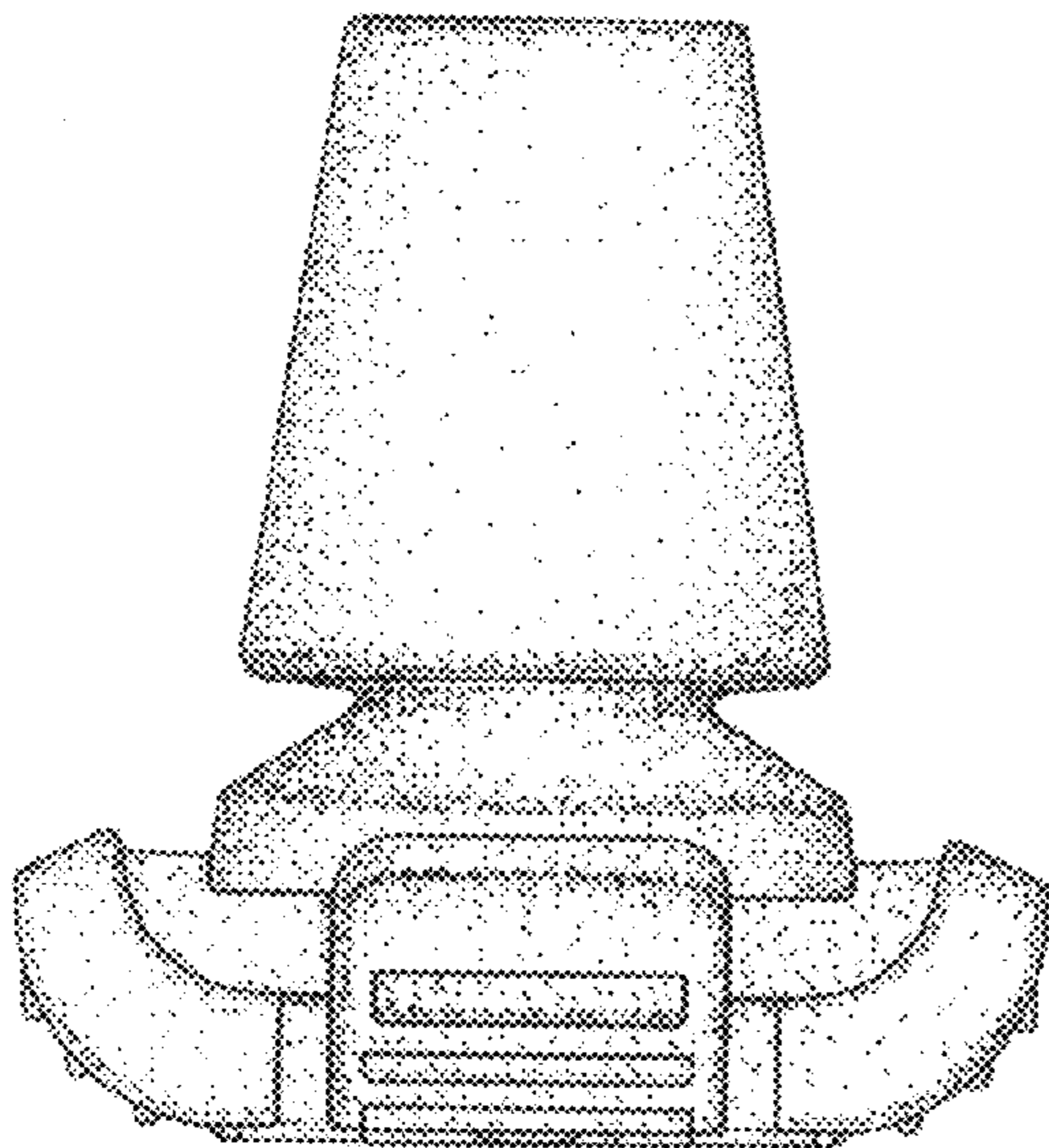
FIG. 2 is a bottom plan view thereof;

FIG. 3 is a left elevation view thereof, the front, right, and rear elevation views being identical;

FIG. 4 is a bottom isometric view thereof; and,

FIG. 5 is a top isometric view thereof.

1 Claim, 3 Drawing Sheets



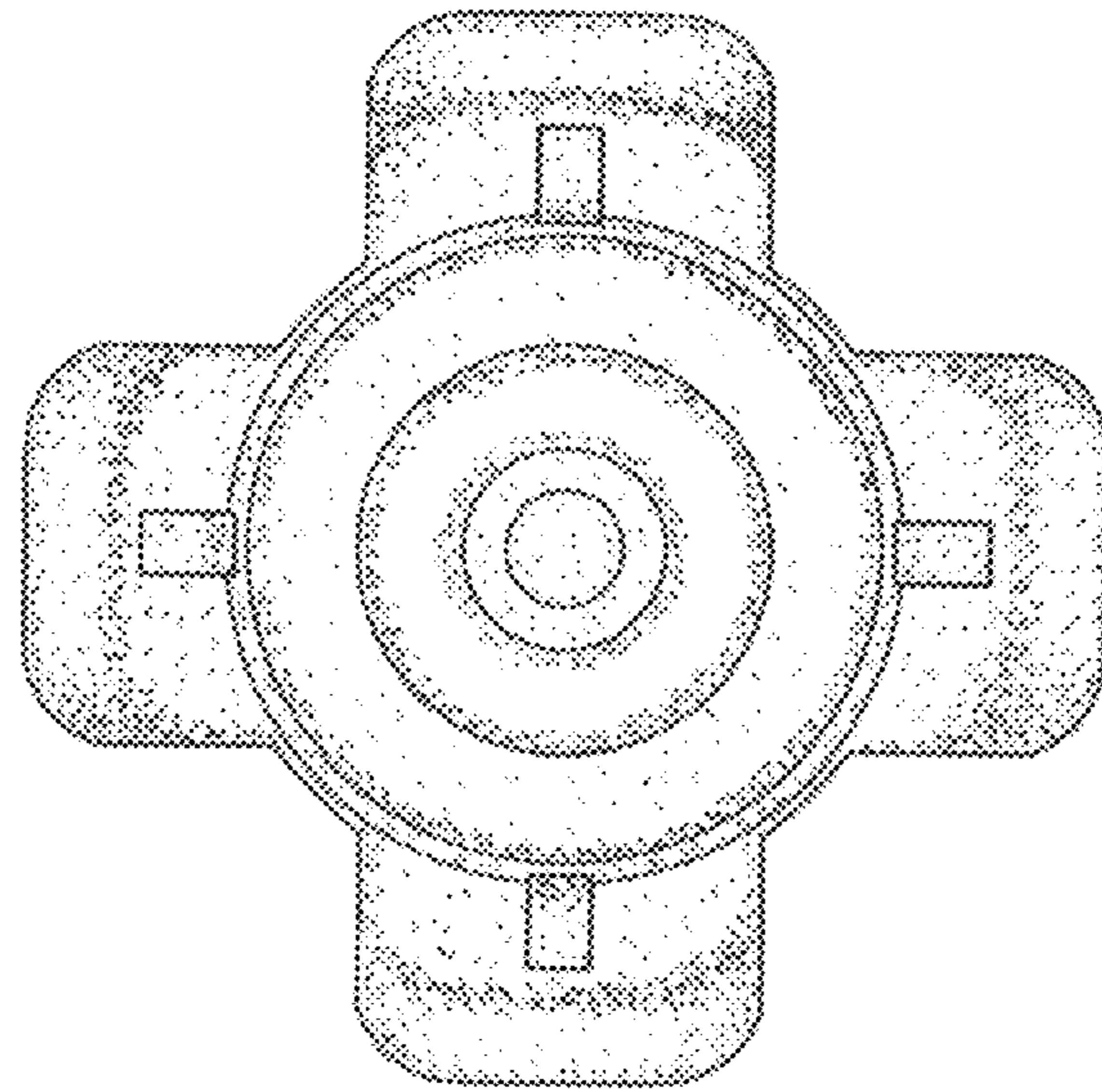


FIG 1

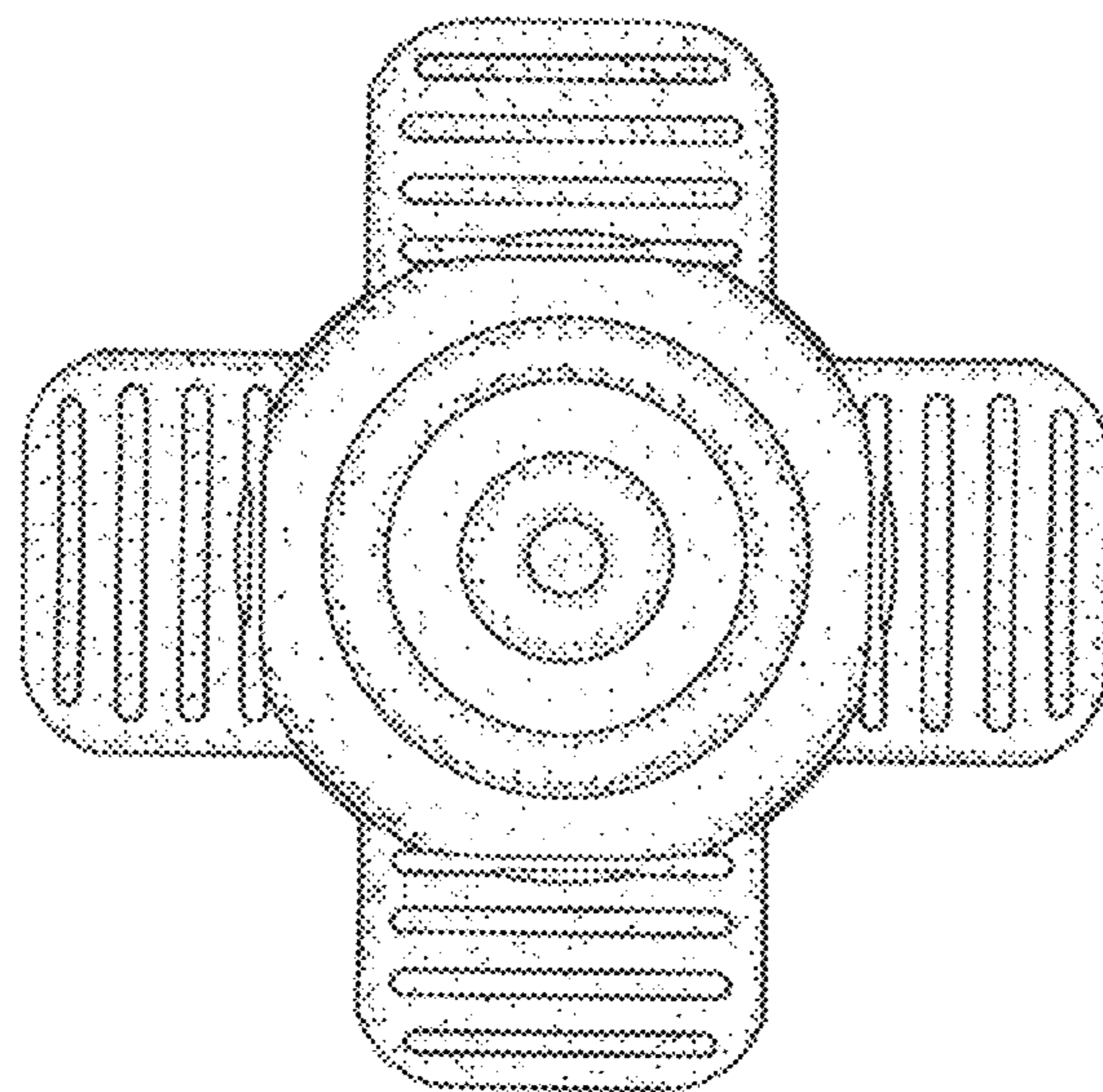


FIG 2

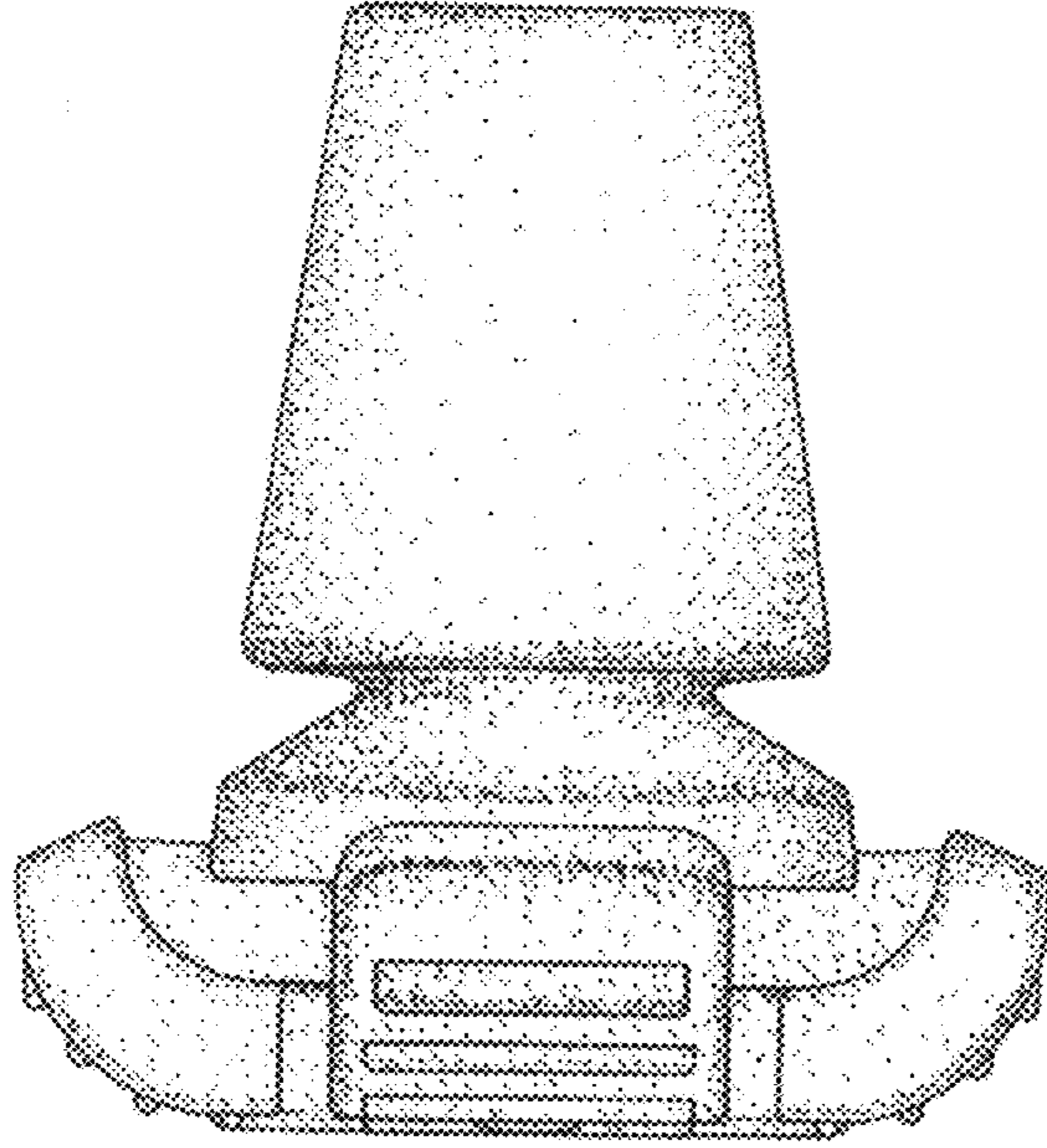


FIG 3

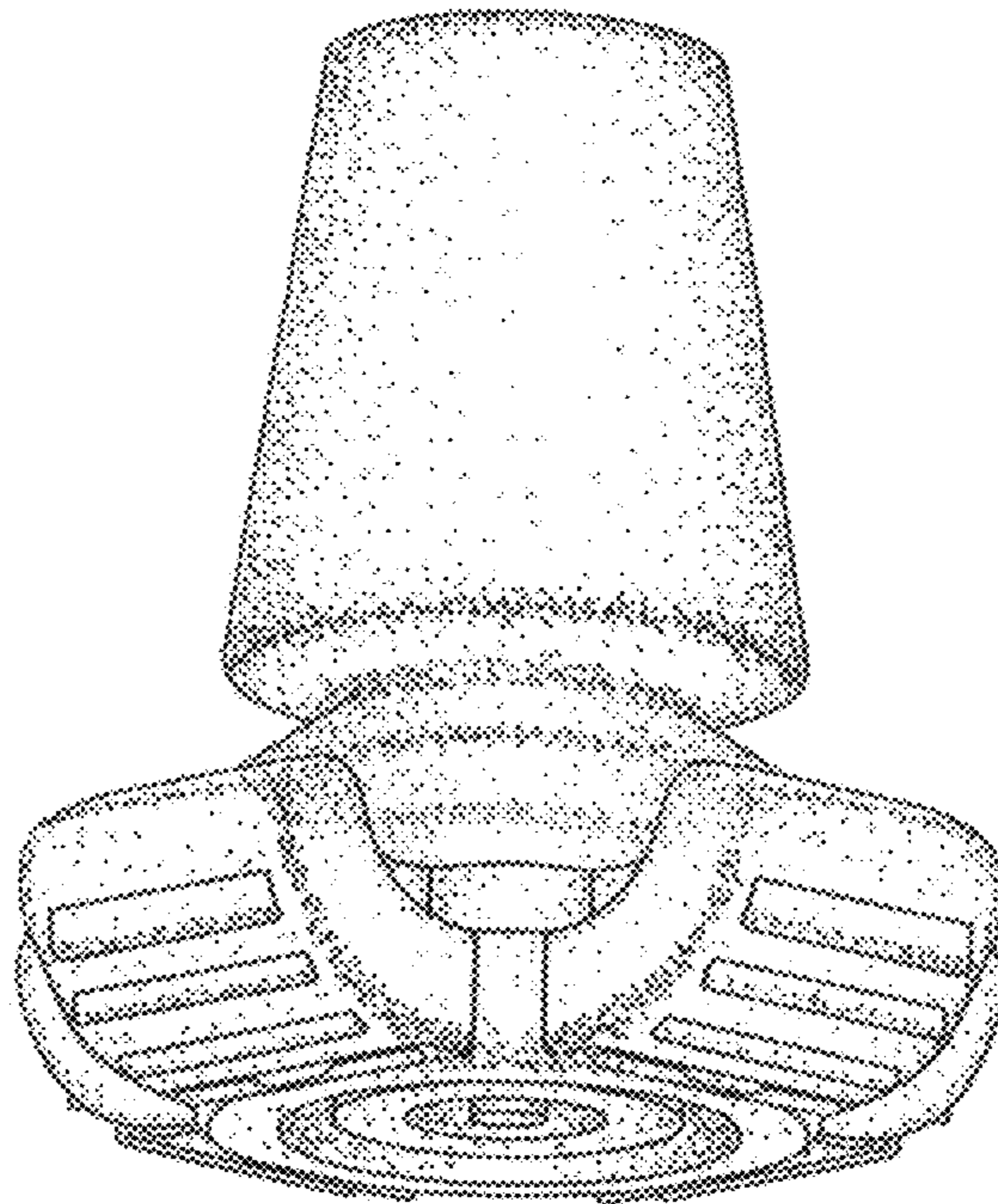


FIG 4

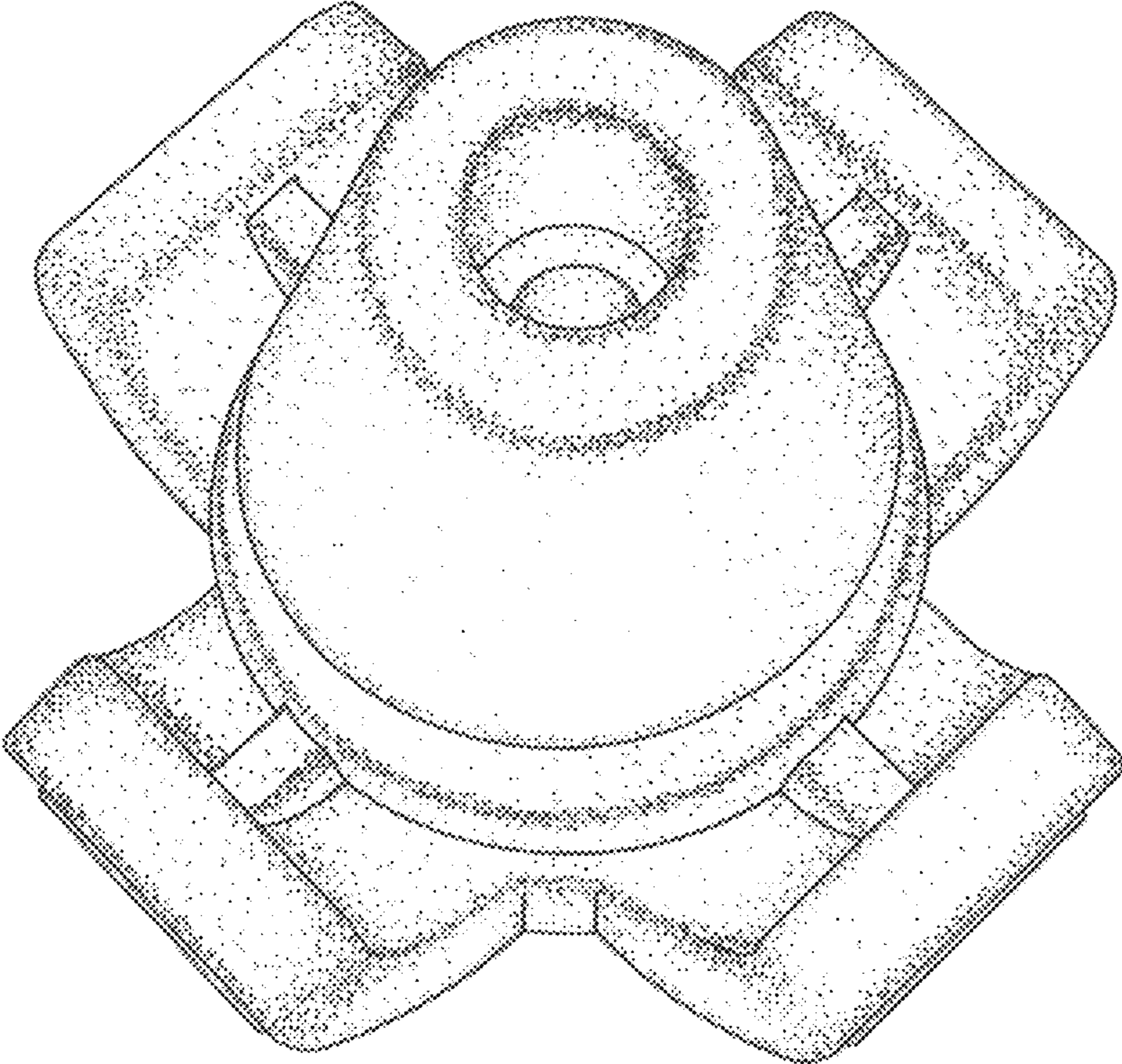


FIG 5