



US00D741053S

(12) **United States Design Patent**  
**Fongher et al.**

(10) **Patent No.:** **US D741,053 S**  
(45) **Date of Patent:** **\*\* Oct. 20, 2015**

(54) **FOOTWEAR**

FOREIGN PATENT DOCUMENTS

(71) Applicant: **CROCS, INC.**, Niwot, CO (US)

CN ZL2013301862670 A 9/2013

(72) Inventors: **Federico Fongher**, Padua (IT); **Andrea Paolo Maritan**, Padua (IT)

OTHER PUBLICATIONS

Crocs Womens 11380 Cyprus III Sandal, May 28, 2013. Accessed from <http://crocs-shoes-11380-cyprus-iii.blogspot.com/> on Nov. 21, 2014.

(73) Assignee: **Crocs, Inc.**, Niwot, CO (US)

(\*\*) Term: **14 Years**

\* cited by examiner

(21) Appl. No.: **29/498,469**

*Primary Examiner* — Dominic Simone

(22) Filed: **Aug. 4, 2014**

(74) *Attorney, Agent, or Firm* — Wilmer Cutler Pickering Hale and Dorr LLP

(51) **LOC (10) Cl.** ..... **02-04**

(52) **U.S. Cl.**

(57) **CLAIM**

USPC ..... **D2/926**

The ornamental design for footwear, as shown and described.

(58) **Field of Classification Search**

**DESCRIPTION**

USPC ..... D2/896, 925–942, 971

CPC ..... A43B 21/00; A43B 21/02; A43B 21/06; A43B 9/14

See application file for complete search history.

FIG. 1 is a front perspective view of footwear showing my new design;

FIG. 2 is a front view thereof;

FIG. 3 is a back view thereof;

FIG. 4 is an outer side view thereof;

FIG. 5 is an inner side view thereof;

FIG. 6 is a top view thereof; and,

FIG. 7 is a bottom view thereof.

The CROCS® word mark and circular crocodile logo, the tread pattern of the sole, the textual material on the sole, the textual material on the footbed, the textual material on the heel, the raised bump pattern of the footbed, and the jewel on the upper are shown in broken lines for illustrative purposes only and form no part of the claimed design.

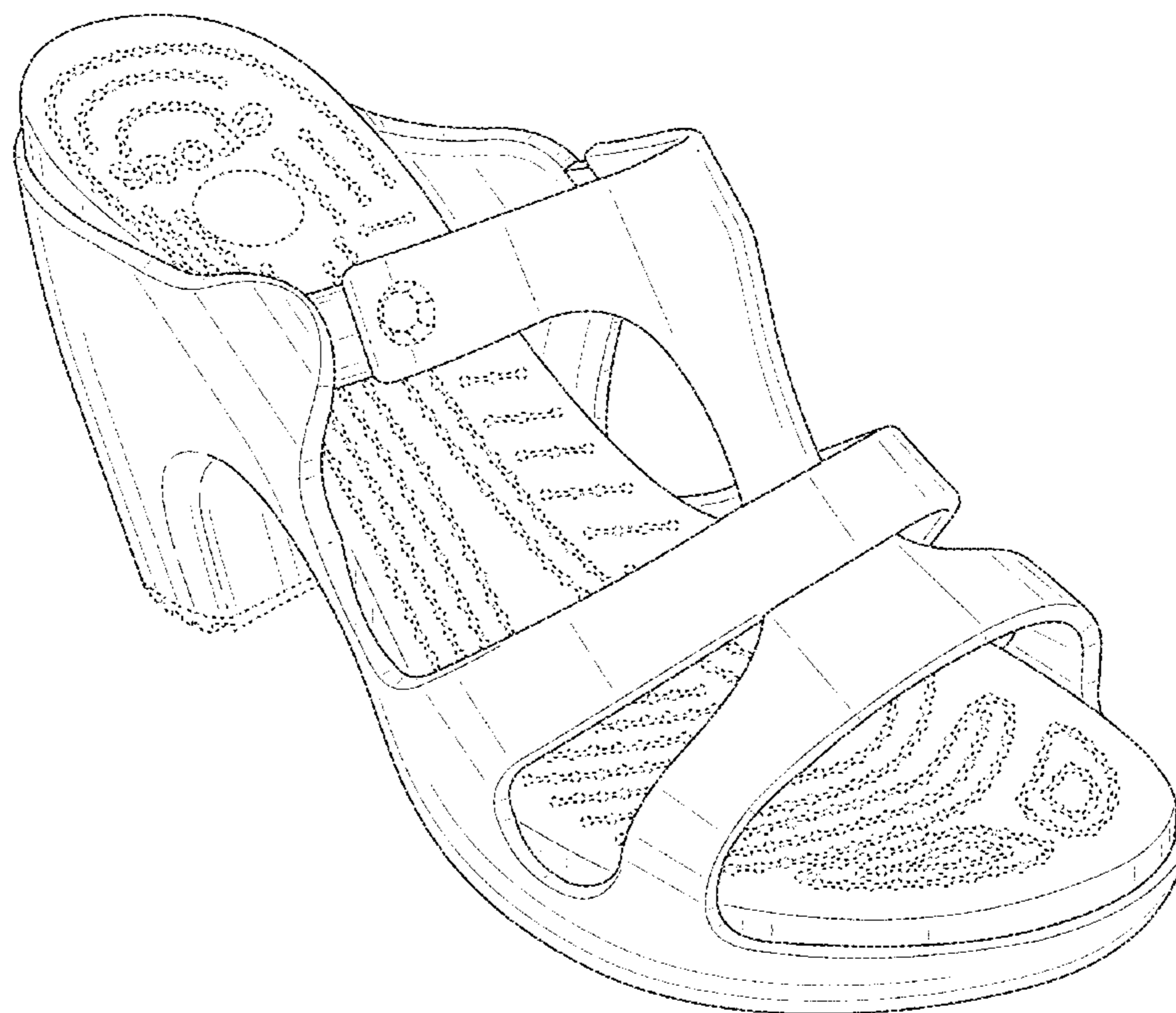
(56)

**References Cited**

U.S. PATENT DOCUMENTS

|            |   |         |                   |       |        |
|------------|---|---------|-------------------|-------|--------|
| D87,274 S  | * | 6/1932  | Meyer et al.      | ..... | D2/930 |
| D92,783 S  | * | 7/1934  | Troy              | ..... | D2/933 |
| D93,611 S  | * | 10/1934 | Fradkin           | ..... | D2/933 |
| D93,706 S  | * | 10/1934 | Elkin             | ..... | D2/933 |
| D94,274 S  | * | 1/1935  | Levine            | ..... | D2/935 |
| D99,784 S  | * | 5/1936  | Faleck            | ..... | D2/931 |
| D102,153 S | * | 12/1936 | Vamos             | ..... | D2/935 |
| D107,009 S | * | 11/1937 | Dronoff           | ..... | D2/933 |
| D575,943 S |   | 9/2008  | Del Biondi et al. |       |        |
| D599,535 S |   | 9/2009  | Del Biondi et al. |       |        |
| D719,323 S | * | 12/2014 | Santos            | ..... | D2/923 |

**1 Claim, 7 Drawing Sheets**



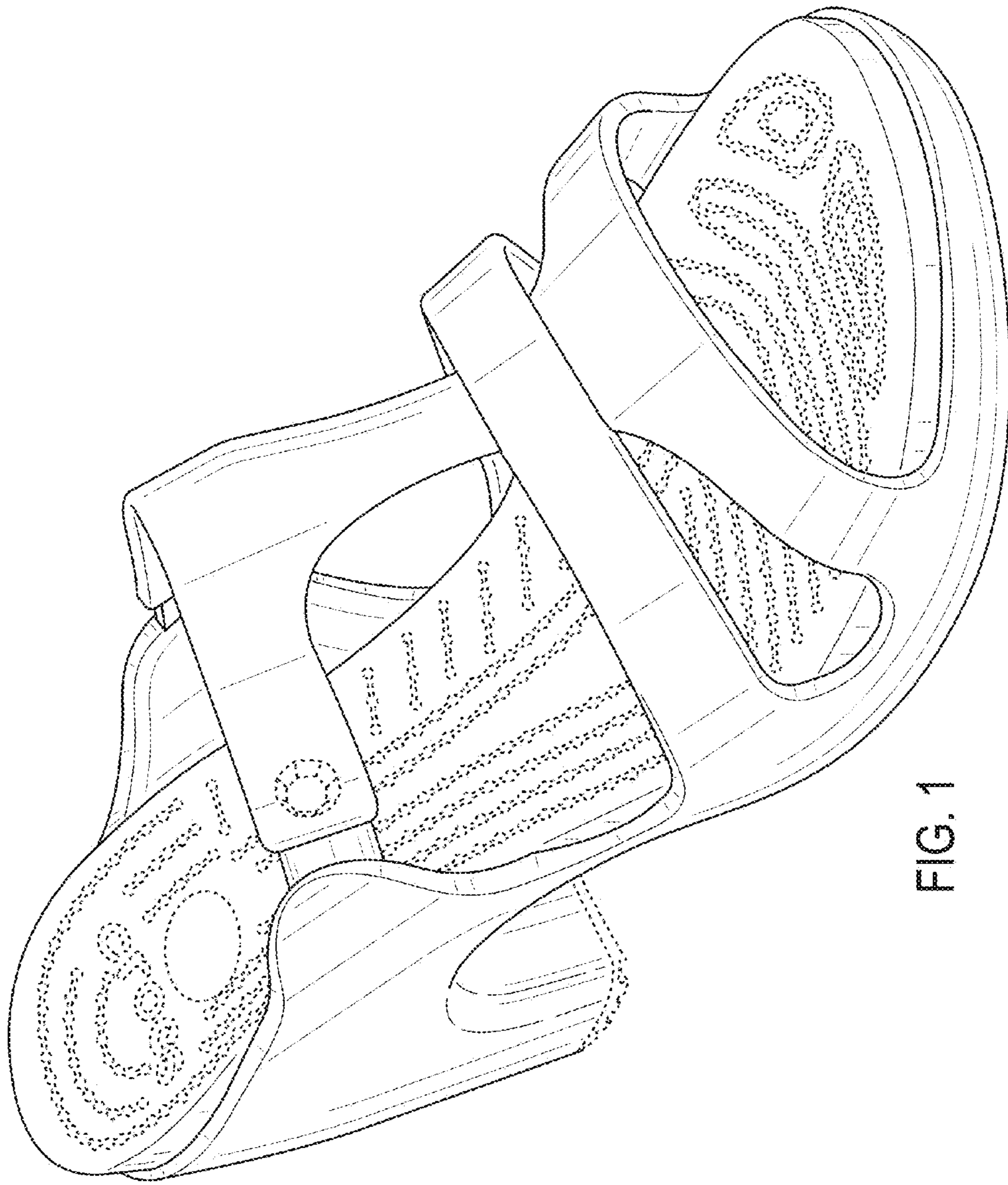


FIG. 1

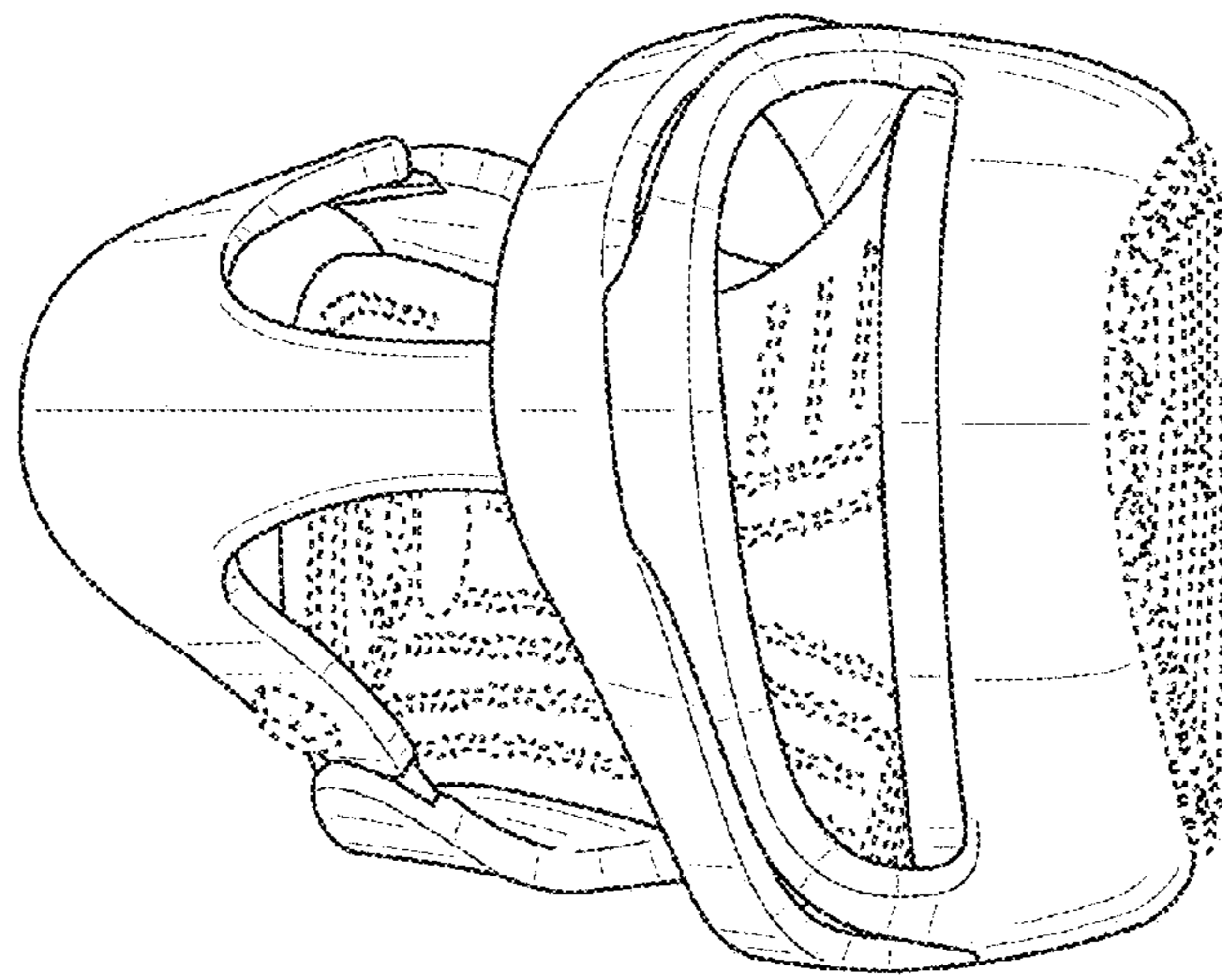


FIG. 2

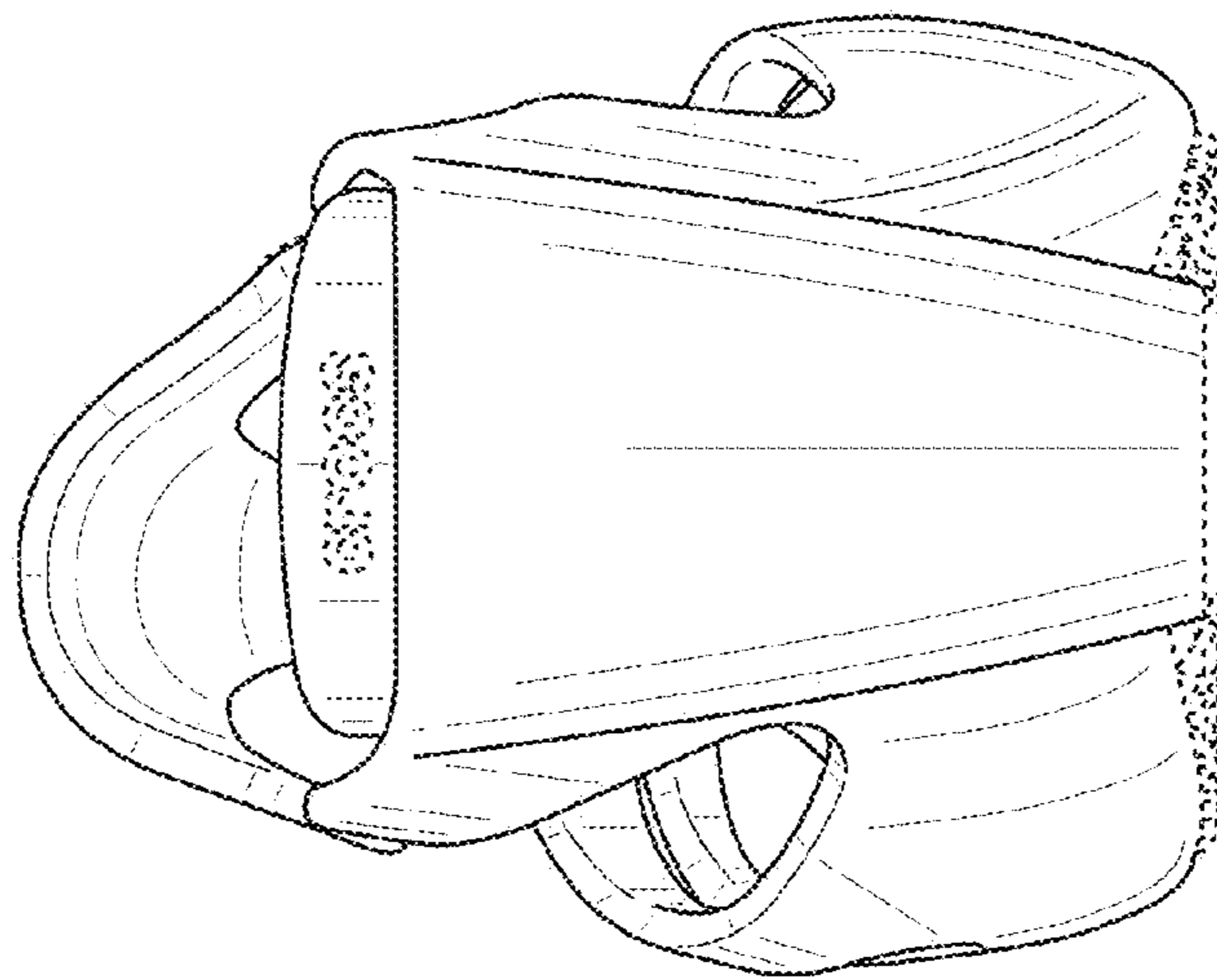


FIG. 3

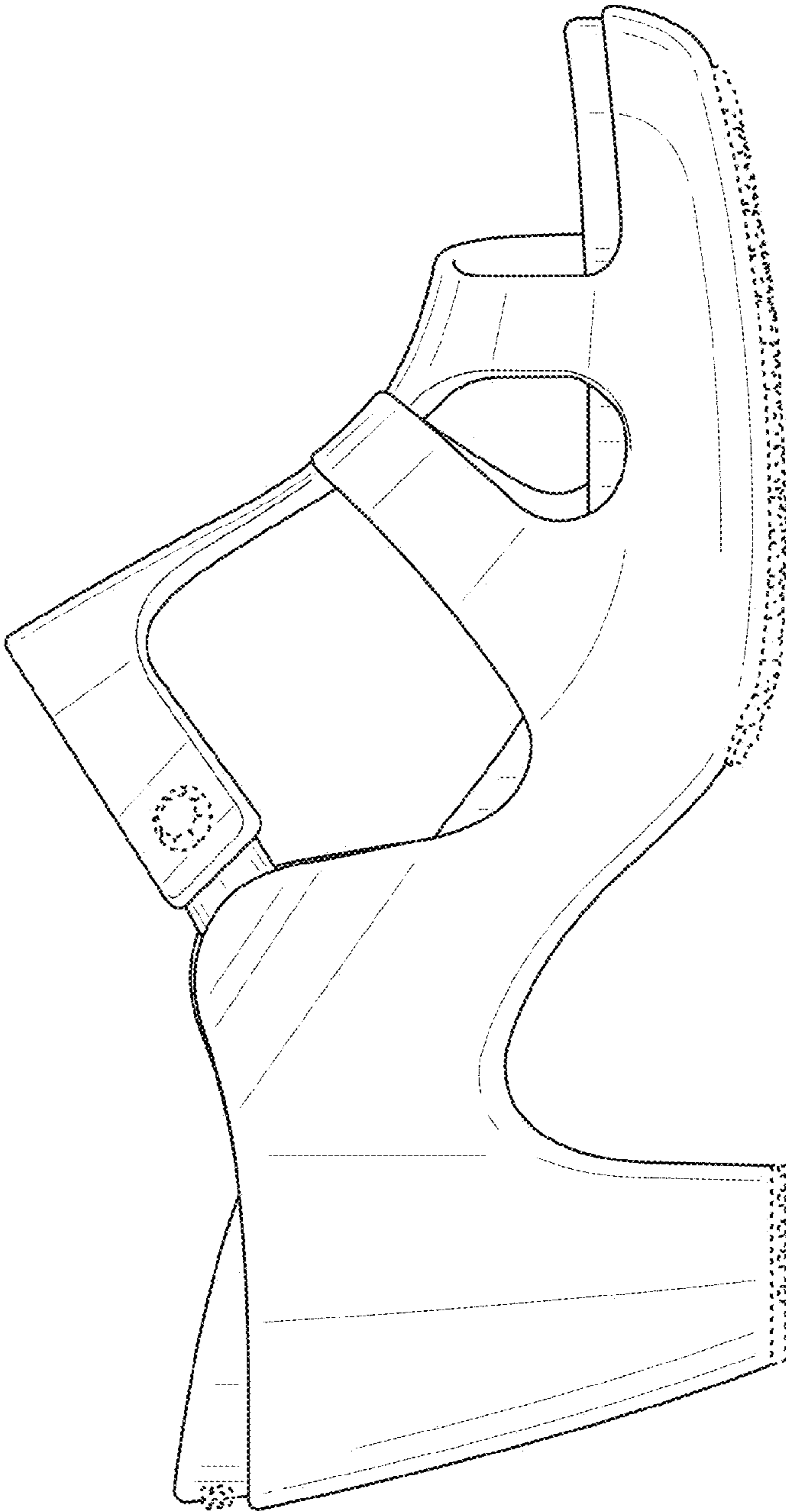


FIG. 4

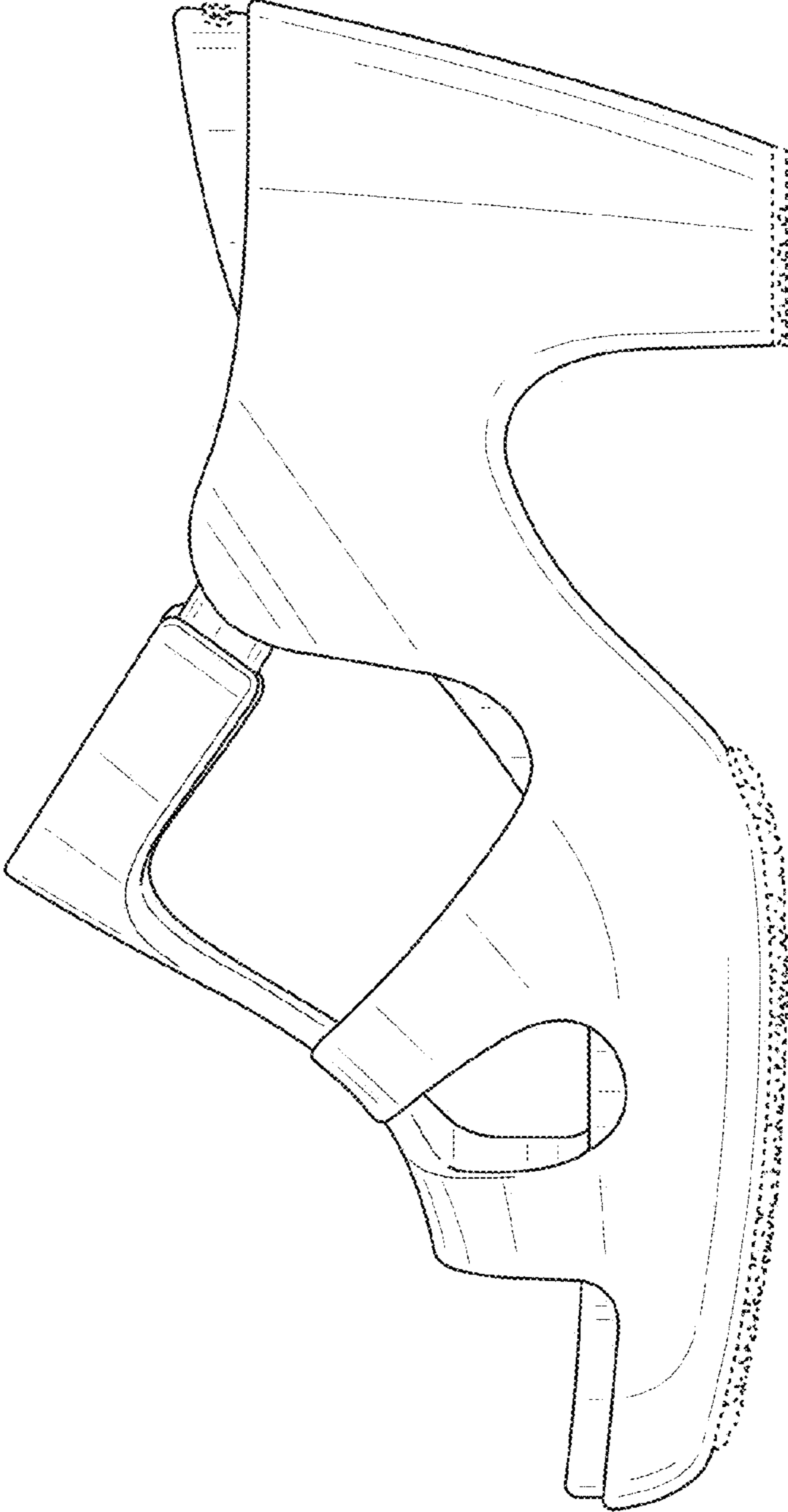


FIG. 5

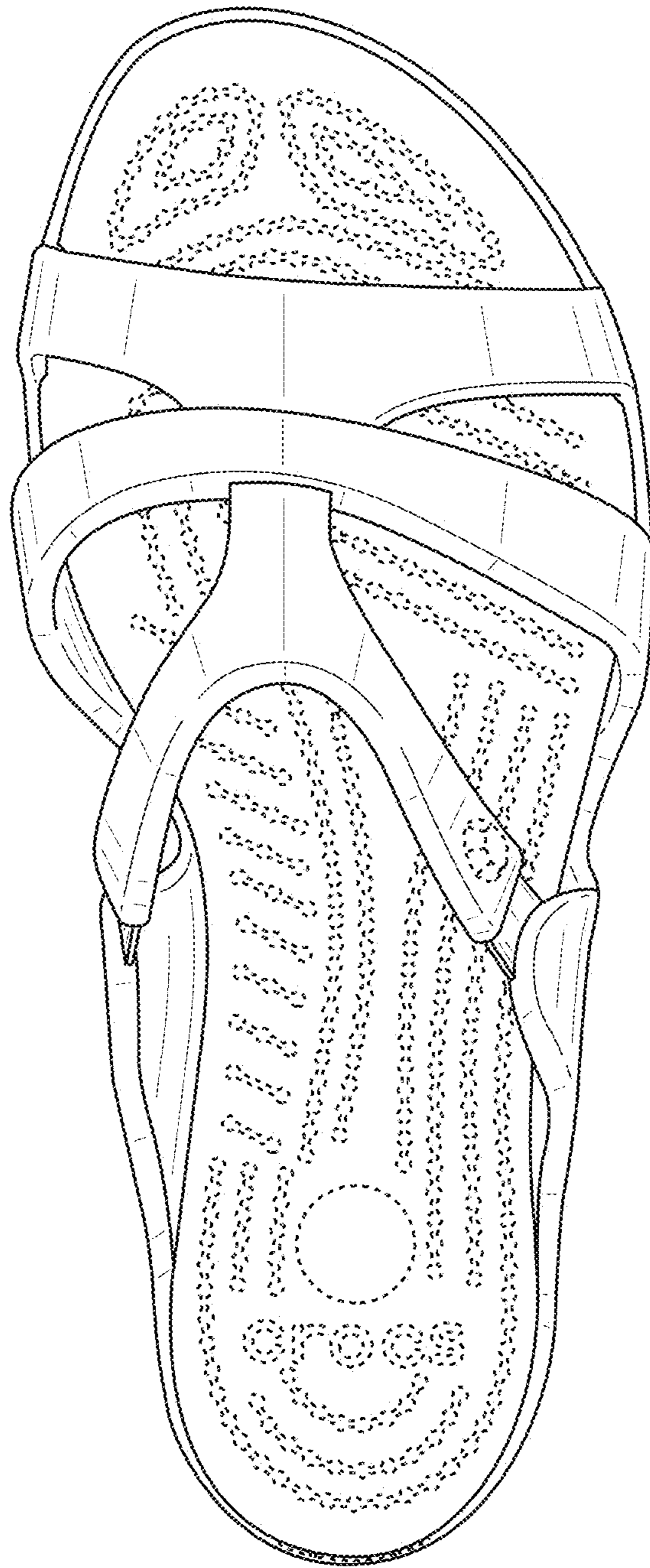


FIG. 6

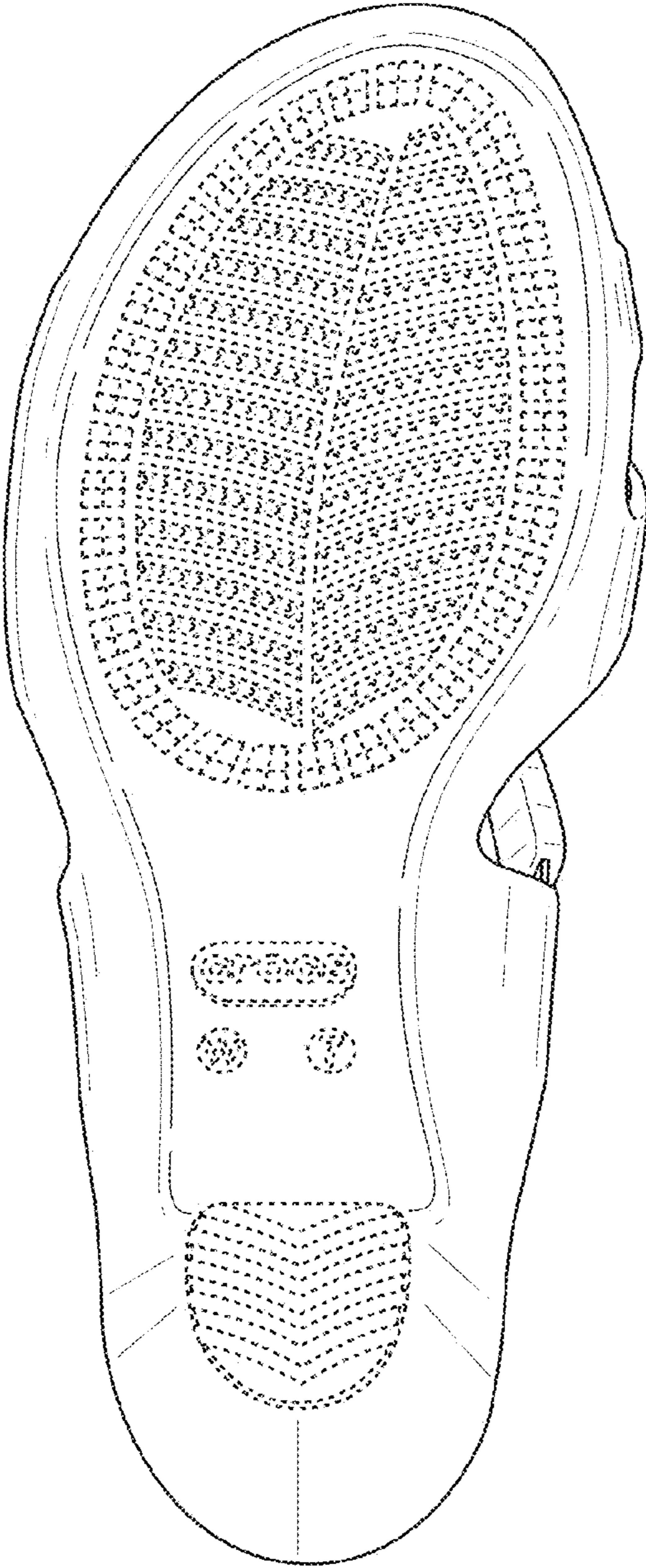


FIG. 7