



US00D741050S

(12) **United States Design Patent**
Bell

(10) **Patent No.:** **US D741,050 S**

(45) **Date of Patent:** **** Oct. 20, 2015**

(54) **NOVELTY CAP**

(71) Applicant: **William Bell**, Farmington Hills, MI (US)

(72) Inventor: **William Bell**, Farmington Hills, MI (US)

(73) Assignee: **Z-Wear Enterprises, Inc.**, Farmington Hills, MI (US)

(**) Term: **14 Years**

(21) Appl. No.: **29/436,369**

(22) Filed: **Nov. 5, 2012**

(51) **LOC (10) Cl.** **02-03**

(52) **U.S. Cl.**
USPC **D2/893**

(58) **Field of Classification Search**
USPC D2/865, 866, 868, 869, 870, 871, 872,
D2/873, 874, 878, 879, 880, 881, 882, 889,
D2/892, 867, 891; D29/102, 103, 104,
D29/105, 106, 107, 108, 109, 110, 111, 122,
D29/100; 2/84, 171, 200.1, 202, 203, 204,
2/205, 206, 209.13, 411, 171.1, 175.4,
2/195.1, 195.2, 195.3, 195.4, 195.5,
2/209.11, 209.12, 209.3, 171.02, 172,
2/195.6, 209.5, 209.7, 410, 420, 425,
2/181, 181.4, 181.6, 182.8
CPC A42B 1/002; A42B 1/069; A42B 1/08;
A42B 1/062; A42B 1/248
See application file for complete search history.

(56) **References Cited**

U.S. PATENT DOCUMENTS

D287,901 S *	1/1987	Laughlin	D2/871
D288,024 S *	2/1987	Laughlin	D2/871
D288,025 S *	2/1987	Laughlin	D2/871
D288,026 S *	2/1987	Laughlin	D2/871
D300,386 S *	3/1989	Proctor	D2/893
D362,743 S *	10/1995	Martin	D2/872

5,734,991 A *	4/1998	Schmid	2/69
6,408,443 B1 *	6/2002	Park	2/195.1
D469,242 S *	1/2003	Park	D2/882
D469,243 S *	1/2003	Park	D2/882
6,634,030 B2 *	10/2003	Park	2/195.6
RE38,394 E *	1/2004	Morse et al.	2/195.1
D490,593 S *	6/2004	Park	D2/882
6,766,538 B2 *	7/2004	Park	2/175.4
D494,341 S *	8/2004	Park	D2/876
D502,591 S *	3/2005	Hathaway	D2/893
D502,592 S *	3/2005	Hathaway	D2/893
D507,092 S *	7/2005	Kim	D2/876
D517,286 S *	3/2006	Song	D2/893
D529,748 S *	10/2006	Park	D2/876
D536,161 S *	2/2007	Hathaway	D2/893
7,191,702 B2 *	3/2007	Kercher	101/129
D545,030 S *	6/2007	Fukunaga	D2/882
D553,331 S *	10/2007	Henson	D2/893
D599,532 S *	9/2009	Sheng	D2/866
D603,144 S *	11/2009	South	D2/882
D634,102 S *	3/2011	Smith	D2/893

(Continued)

Primary Examiner — Karen E. Eldridge Powers

Assistant Examiner — Kimberly Barnes

(74) *Attorney, Agent, or Firm* — Young Basile Hanlon & MacFarlane P.C.

(57) **CLAIM**

I claim the ornamental design for a novelty cap, as shown and described.

DESCRIPTION

FIG. 1 is a front perspective view of a first embodiment of a novelty cap;

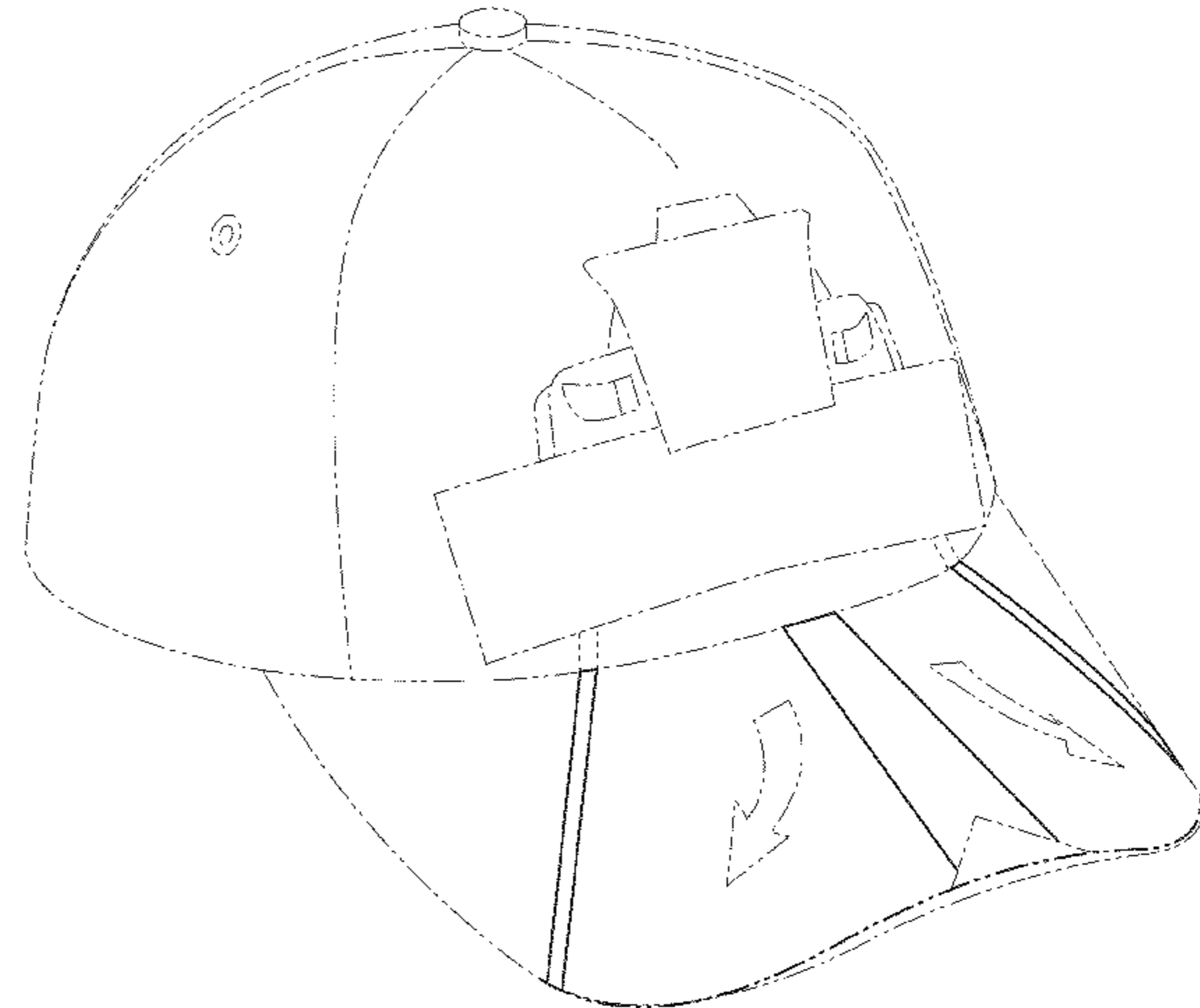
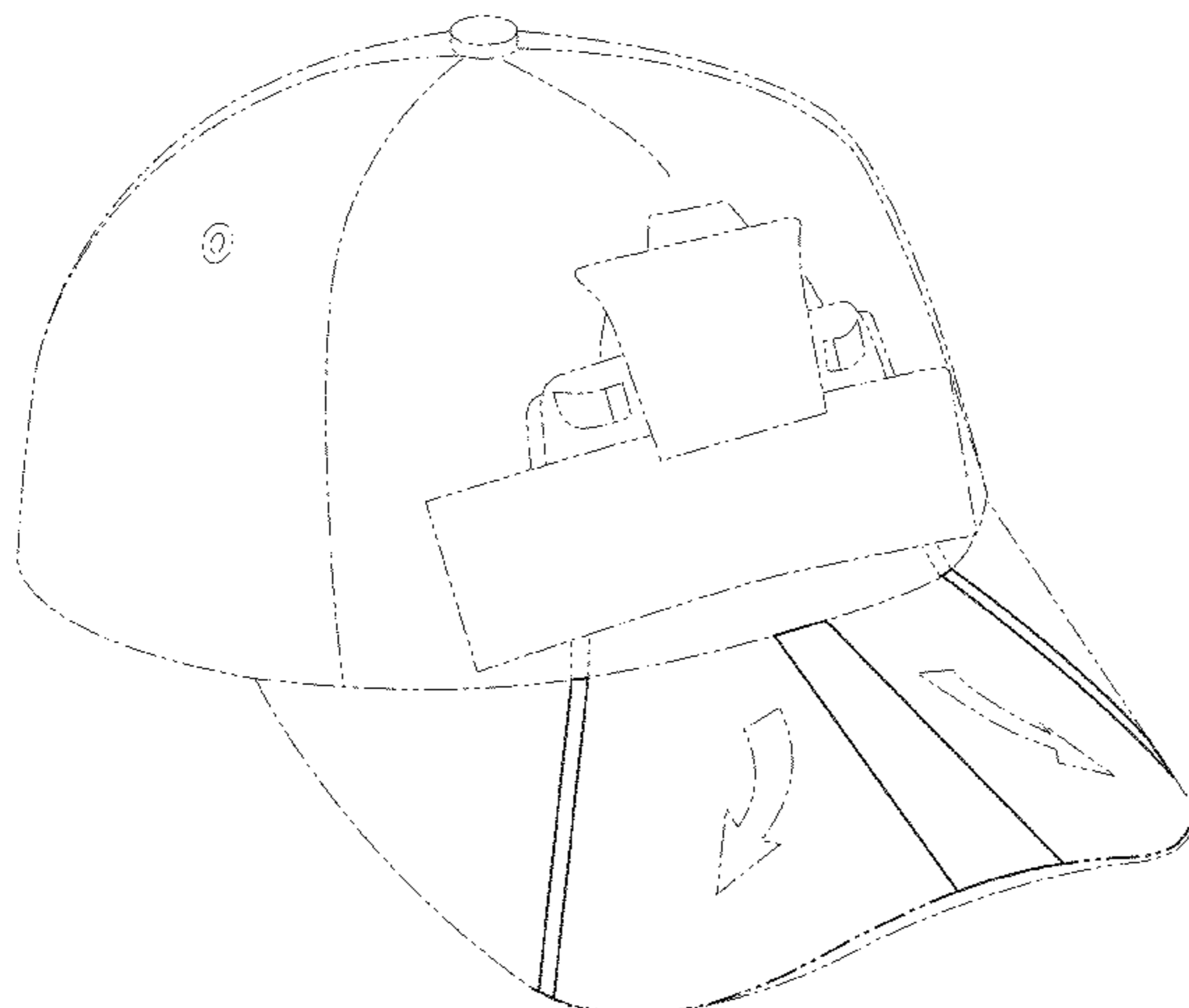
FIG. 2 is a top plan view of the novelty cap in FIG. 1;

FIG. 3 is a front perspective view of a second embodiment of a novelty cap; and,

FIG. 4 is a top plan view of the novelty cap in FIG. 3.

The dash-dot-dot-dash lines represent environmental subject matter or unclaimed features of the article and form no part of the claimed design.

1 Claim, 4 Drawing Sheets



US D741,050 S

Page 2

(56)

References Cited

2006/0185061 A1* 8/2006 Wakefield 2/195.1
2009/0260131 A1* 10/2009 Kim 2/195.1

U.S. PATENT DOCUMENTS

2006/0009466 A1* 1/2006 Kim 514/253.09 * cited by examiner

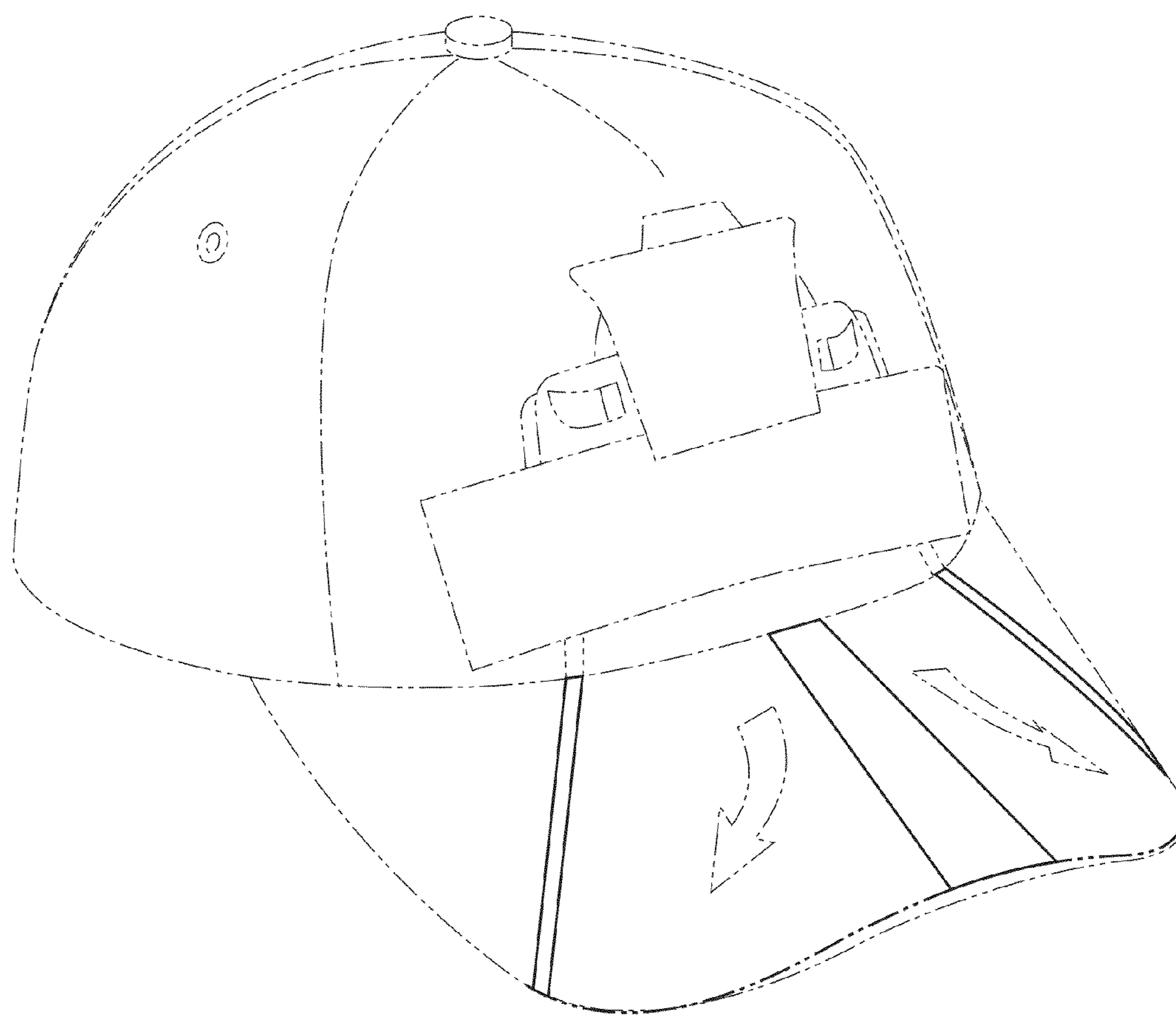


FIG. 1

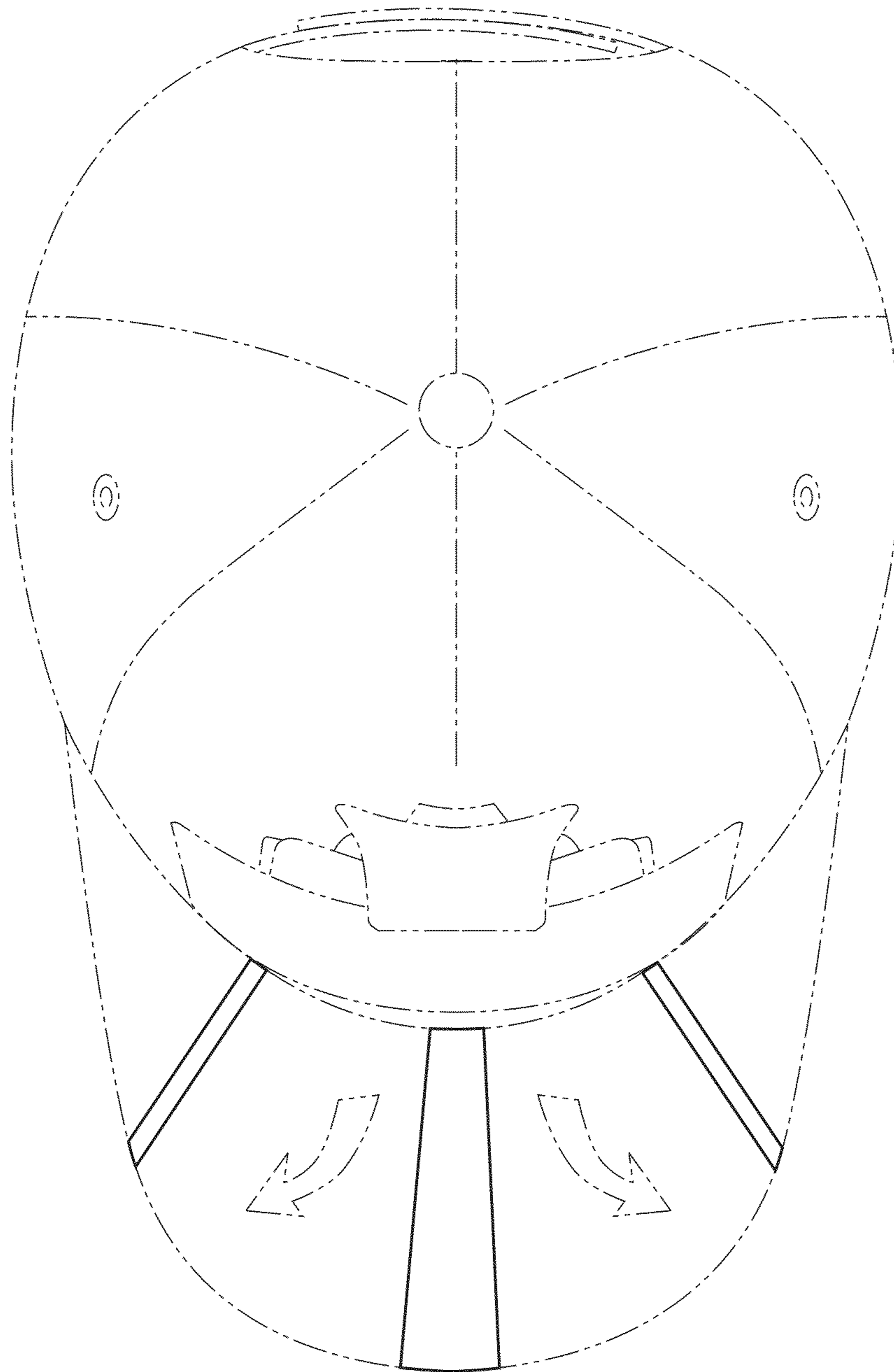


FIG. 2

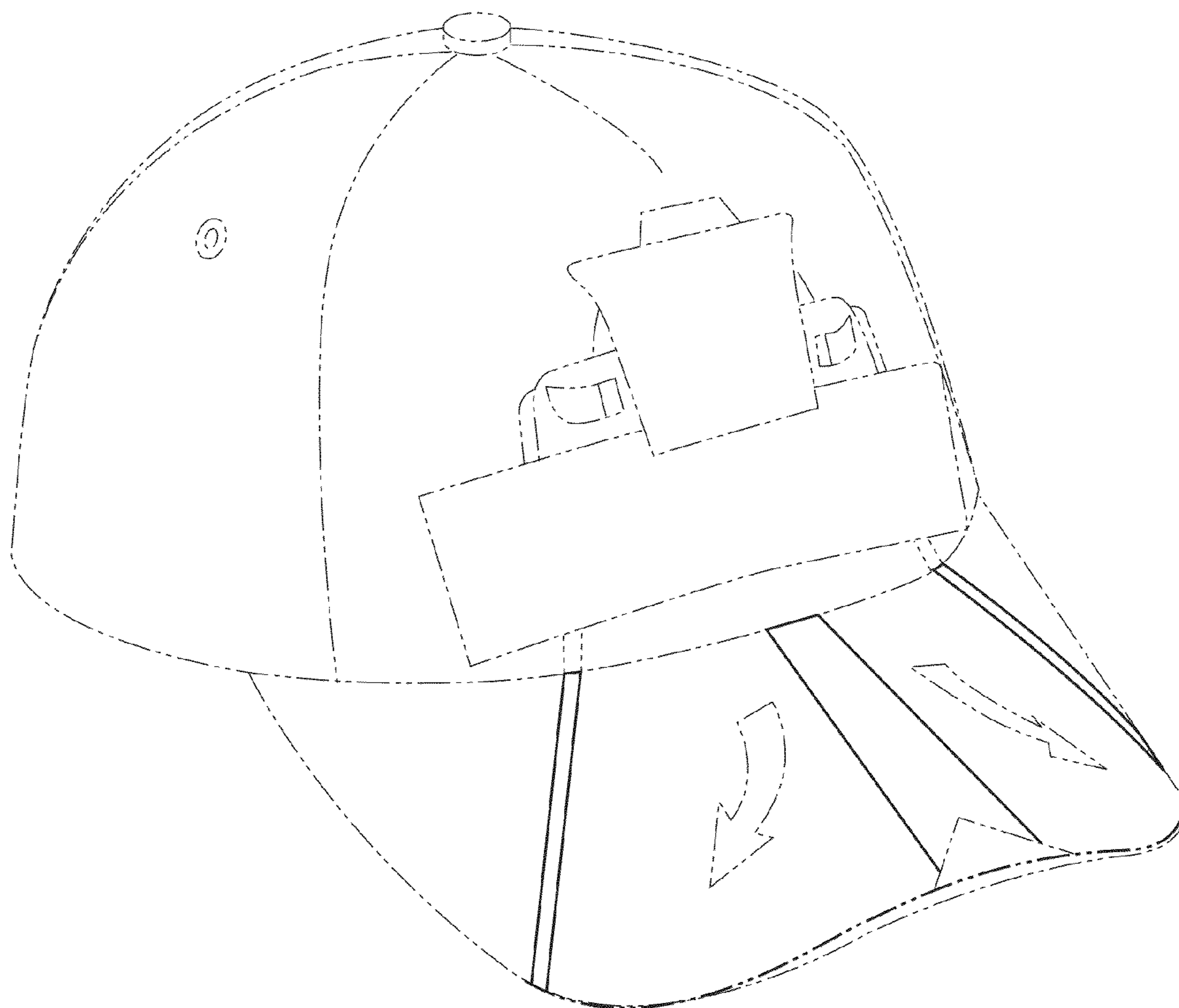


FIG. 3

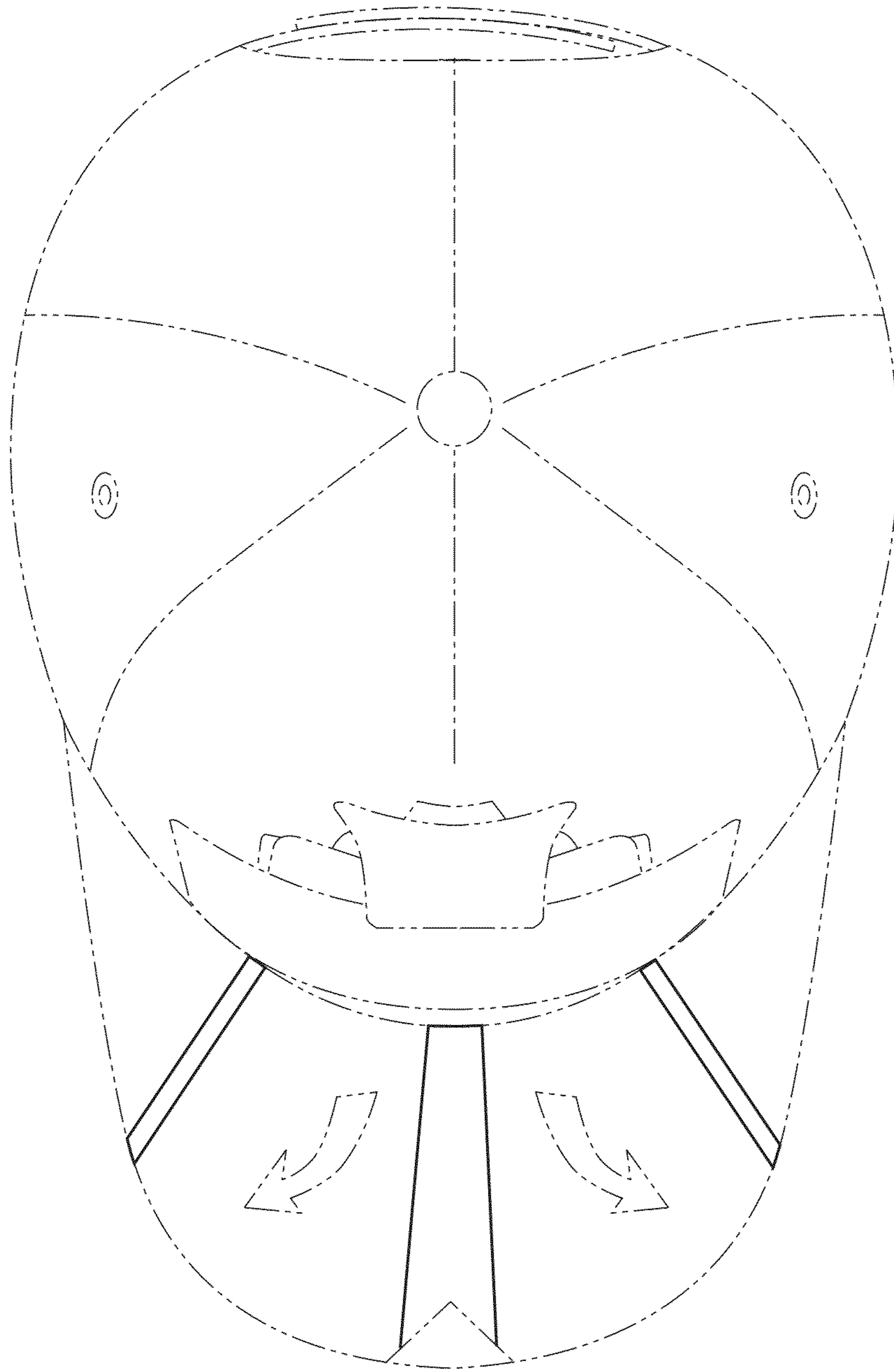


FIG. 4