



US00D741041S

(12) **United States Design Patent**
Walker

(10) **Patent No.:** **US D741,041 S**
(45) **Date of Patent:** **** Oct. 20, 2015**

- (54) **PORTIONED FROZEN PRODUCT**
- (71) Applicant: **J.R. Simplot Company**, Boise, ID (US)
- (72) Inventor: **David Bruce Walker**, Meridian, ID (US)
- (73) Assignee: **J.R. SIMPLOT COMPANY**, Boise, ID (US)
- (**) Term: **14 Years**
- (21) Appl. No.: **29/489,367**
- (22) Filed: **Apr. 29, 2014**
- (51) **LOC (10) Cl.** **01-01**
- (52) **U.S. Cl.**
USPC **D1/121; D9/732**
- (58) **Field of Classification Search**
USPC D1/100-130, 199; 426/104, 115, 121, 426/129, 130, 144, 273, 274, 303, 414, 517, 426/518, 803; D21/386; D25/138, 122, D25/123; D24/101-104; D28/8.1; D9/732, D9/734, 756, 761; D7/357, 553; D6/682.4; D15/90; 206/443
CPC A21D 13/0025; A21D 13/0029; A21D 13/0074; A21D 13/0022; A21D 13/0006; A23K 1/1826; A23G 3/343
See application file for complete search history.

D266,030	S	*	9/1982	Madonia	D1/121
4,396,120	A	*	8/1983	Morita	206/460
D283,460	S	*	4/1986	Thomassen et al.	D1/121
D304,679	S	*	11/1989	Corella	D9/734
D311,627	S	*	10/1990	Cadestin	D1/126
D374,540	S	*	10/1996	Garza	D1/106
D404,887	S	*	2/1999	Prins	D1/129
D431,891	S	*	10/2000	Zhang et al.	D1/121
D439,392	S	*	3/2001	Kauffman et al.	D1/121
D518,330	S	*	4/2006	Doran et al.	D7/357
D616,250	S	*	5/2010	Peyton et al.	D7/553.3
D639,526	S	*	6/2011	Allen et al.	D1/125
D640,037	S	*	6/2011	Henningham et al.	D1/128
D647,687	S	*	11/2011	Andren et al.	D1/128
D685,651	S	*	7/2013	Hjalmarsson	D9/732
D734,169	S	*	7/2015	Harper	D9/756

* cited by examiner

Primary Examiner — Deanna L Pratt
Assistant Examiner — Katie Mroczka

(74) *Attorney, Agent, or Firm* — Parsons Behle & Latimer

(57) **CLAIM**

The ornamental design for a portioned frozen product, as shown and described.

DESCRIPTION

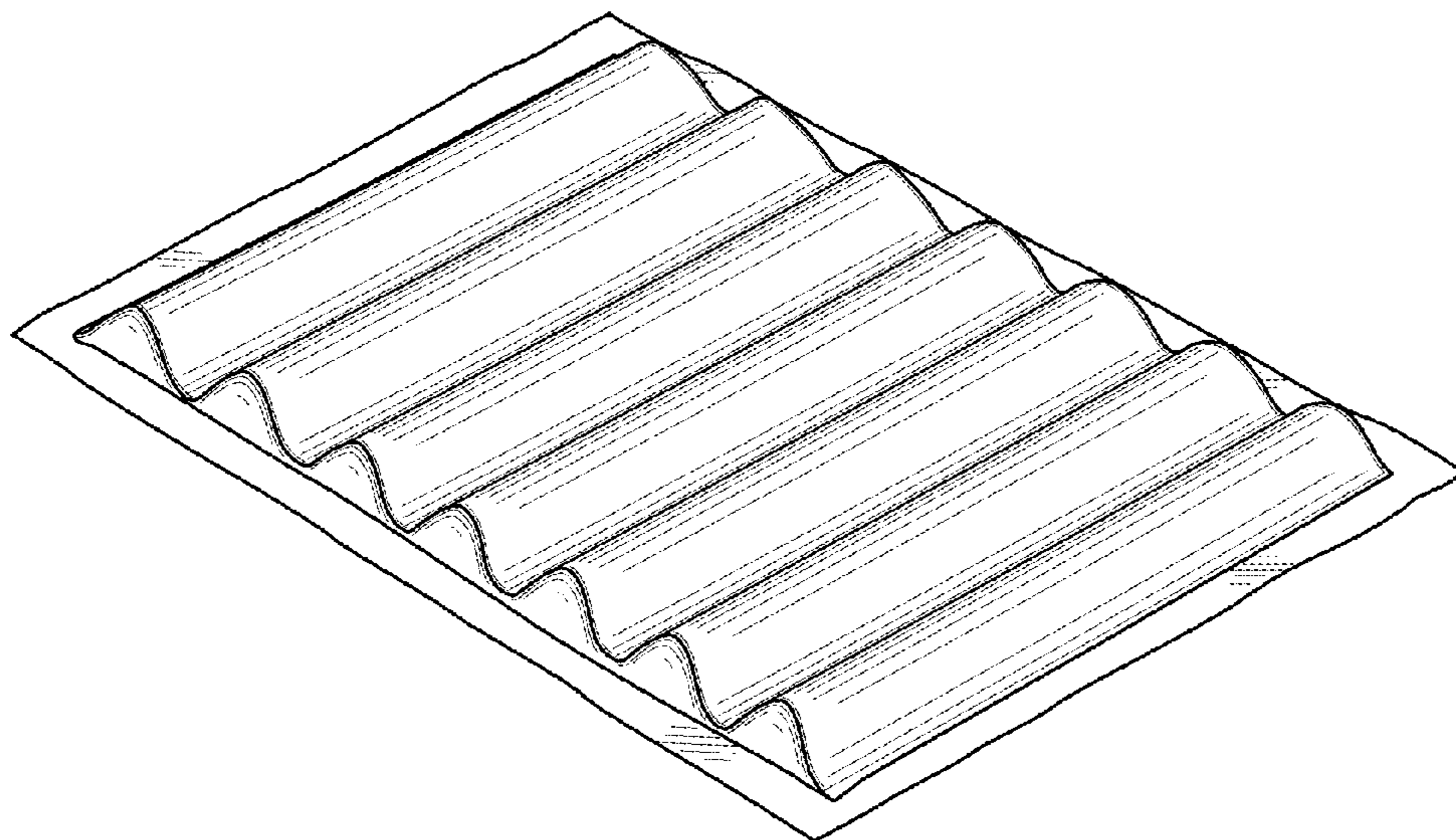
The present application is related to U.S. patent application Ser. No. 14/264,784, entitled System and Method for Packaging a Frozen Product, filed on Apr. 29, 2014 the disclosure of which is incorporated herein by reference in its entirety. FIG. 1 is a perspective view of the portioned frozen product embodying the new design; FIG. 2 is a top view thereof; FIG. 3 is a bottom view thereof; FIG. 4 is a front elevational view thereof, the opposite view being a mirror image; and, FIG. 5 is a right side elevational view thereof, the opposite view being a mirror image.

1 Claim, 2 Drawing Sheets

(56) **References Cited**

U.S. PATENT DOCUMENTS

351,116	A	*	10/1886	Mankey	52/312
D199,200	S	*	9/1964	Fritsche	D9/732
3,550,764	A	*	12/1970	Tigner	426/123
3,605,374	A	*	9/1971	Mueller et al.	53/399
3,812,963	A	*	5/1974	Zahuranec et al.	206/468
4,096,945	A	*	6/1978	Melton et al.	206/469
4,166,136	A	*	8/1979	Stoll	426/144
4,218,155	A	*	8/1980	Weidner	401/132



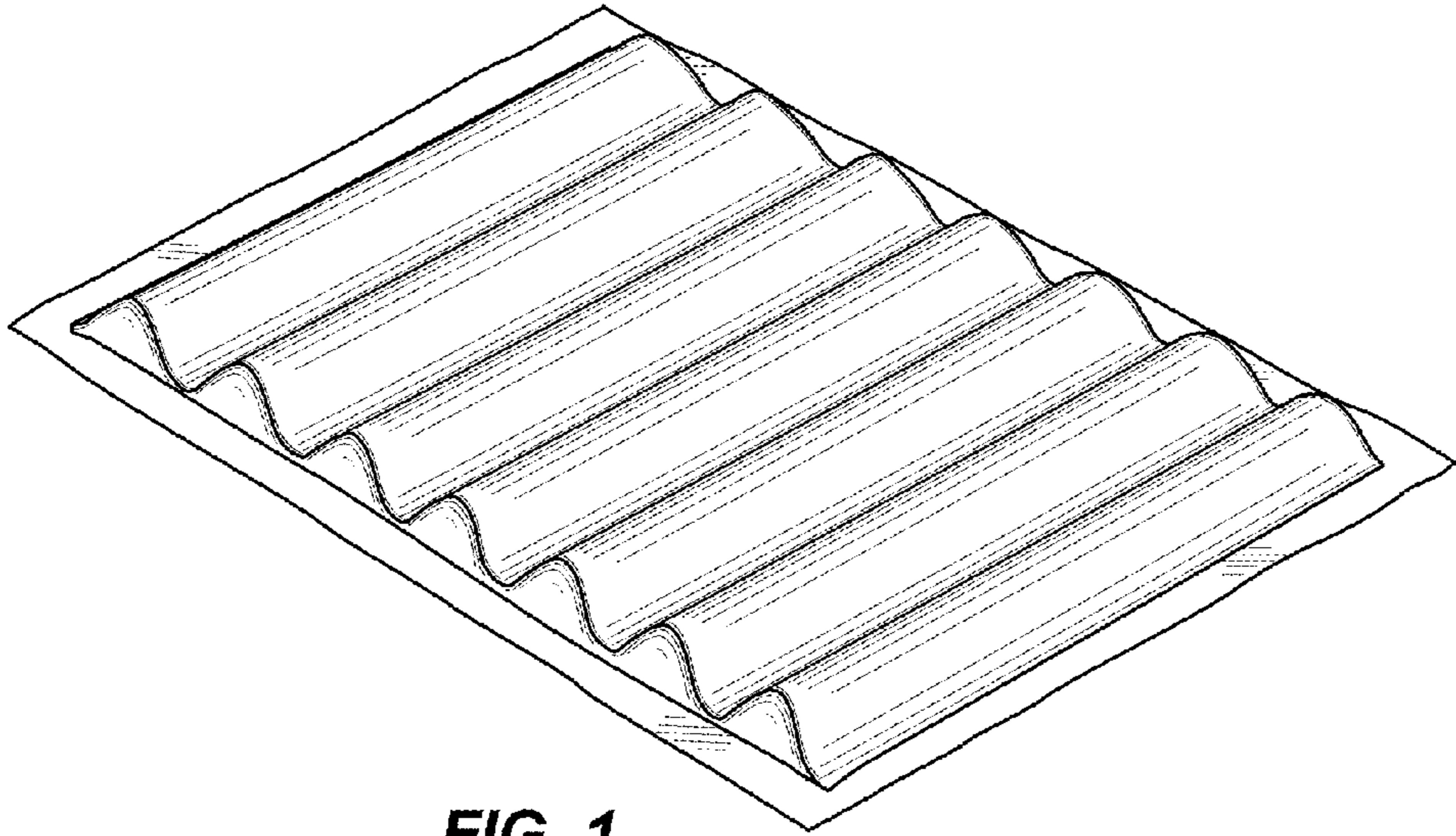


FIG. 1

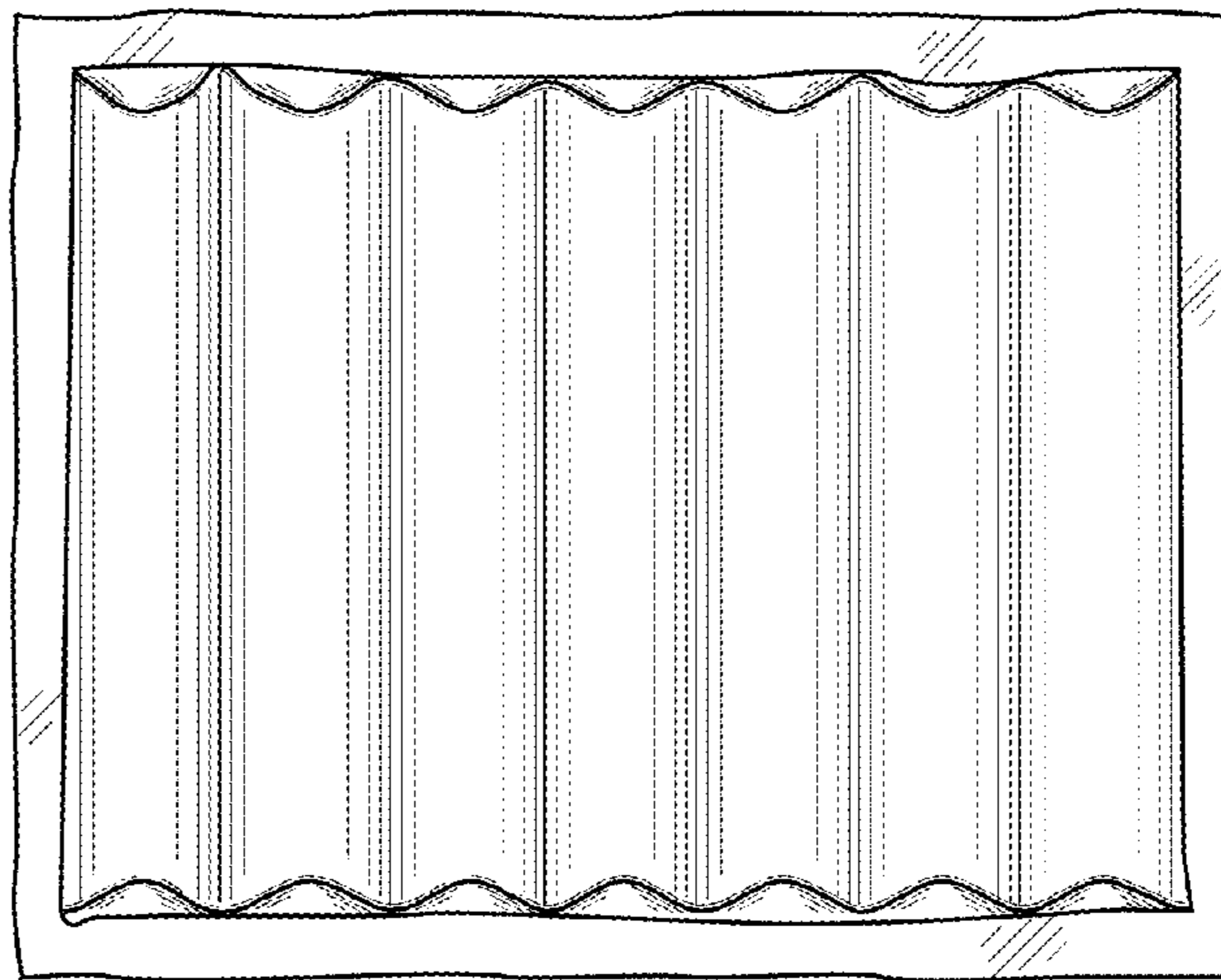


FIG. 2

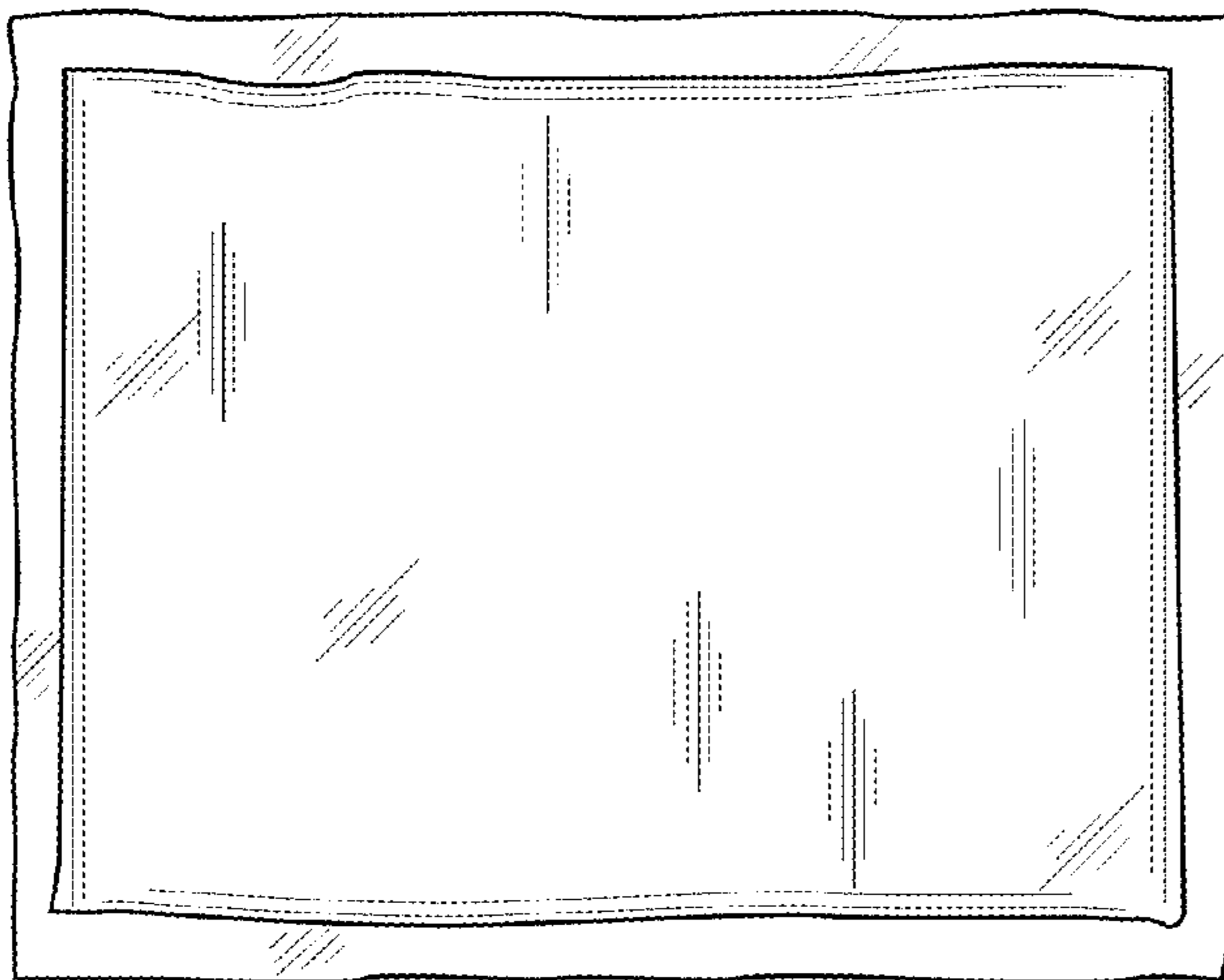


FIG. 3



FIG. 4



FIG. 5