



US00D741038S

(12) **United States Design Patent**
Huang

(10) **Patent No.:** **US D741,038 S**

(45) **Date of Patent:** **** Oct. 13, 2015**

(54) **POWER WINCH**

(71) Applicant: **Comeup Industries Inc.**, Taipei (TW)

(72) Inventor: **Shih-Jyi Huang**, Taipei (TW)

(73) Assignee: **Comeup Industries Inc.**, Taipei (TW)

(**) Term: **14 Years**

(21) Appl. No.: **29/509,113**

(22) Filed: **Nov. 14, 2014**

(51) **LOC (10) Cl.** **12-05**

(52) **U.S. Cl.**
USPC **D34/33**

(58) **Field of Classification Search**
USPC D34/28, 33; 254/362, 372, 380, 901,
254/382, 374, 316, 342
CPC B66D 1/02; B66D 1/14; B66D 1/12
See application file for complete search history.

(56) **References Cited**

U.S. PATENT DOCUMENTS

1,550,114	A *	8/1925	Simpson	242/157.1
3,190,617	A *	6/1965	Burrows	254/342
4,103,872	A *	8/1978	Hirasuka	254/356
5,098,068	A *	3/1992	Jussila	254/342
6,073,917	A *	6/2000	Plummer	254/389

D473,992	S *	4/2003	Hodge	D34/33
6,864,650	B2 *	3/2005	Heravi et al.	318/280
D513,650	S *	1/2006	Elliott	D34/33
D597,105	S *	7/2009	Geisler et al.	D15/9
7,891,641	B1 *	2/2011	Miller	254/346
D703,414	S *	4/2014	Fretz et al.	D34/33
D706,514	S *	6/2014	Weingartner	D34/33
2014/0001427	A1 *	1/2014	Fretz et al.	254/342

* cited by examiner

Primary Examiner — Cynthia Ramirez

(74) *Attorney, Agent, or Firm* — Alan D. Kamrath; Kamrath IP Lawfirm, P.A.

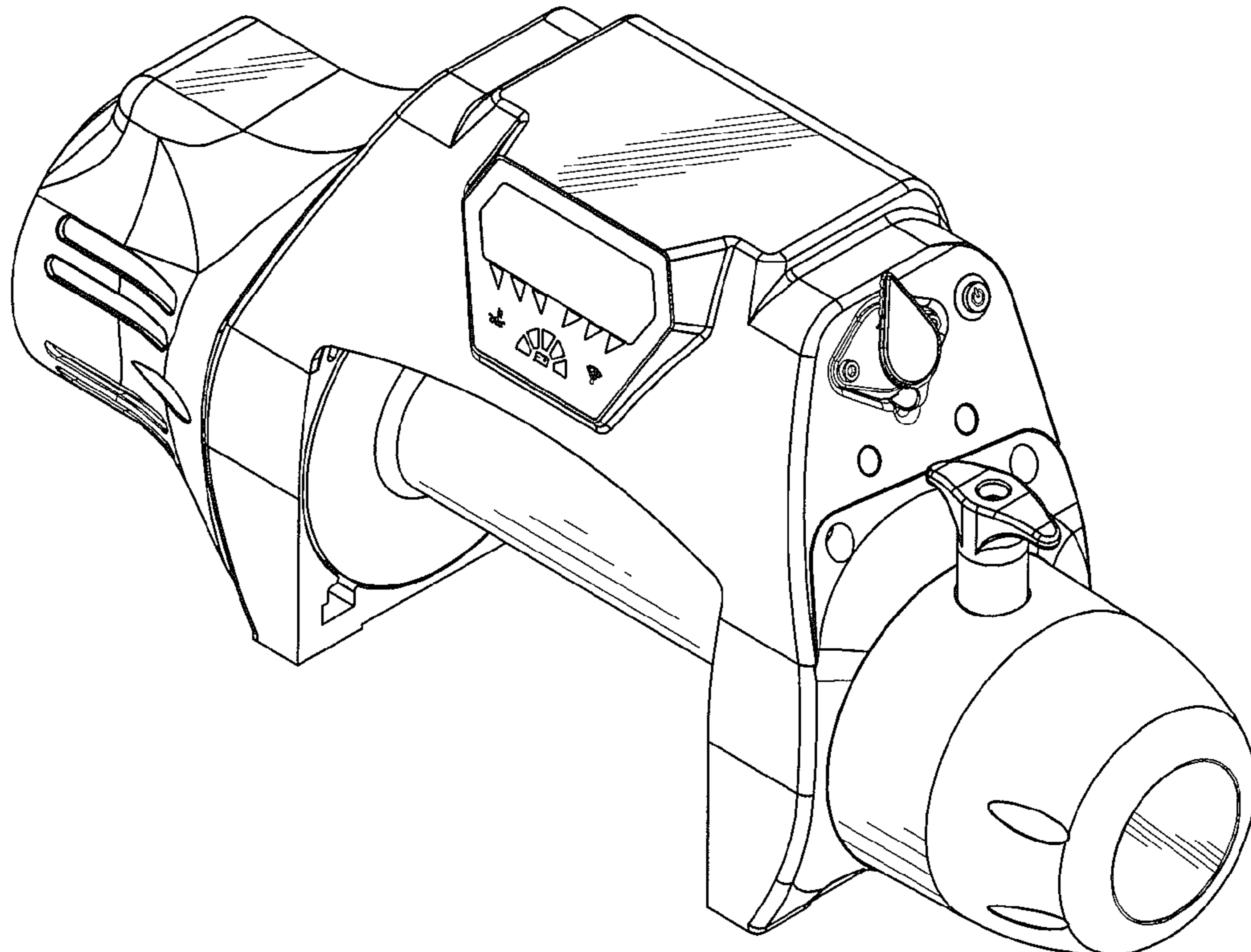
(57) **CLAIM**

The ornamental design for a power winch, as shown and described.

DESCRIPTION

FIG. 1 is a perspective view of the power winch showing my new design;
FIG. 2 is a front elevational view thereof;
FIG. 3 is a rear elevational view thereof;
FIG. 4 is a left side elevational view thereof;
FIG. 5 is a right side elevational view thereof;
FIG. 6 is a top plan view thereof;
FIG. 7 is a bottom plan view thereof; and,
FIG. 8 is an another perspective view of the power winch showing my new design.

1 Claim, 6 Drawing Sheets



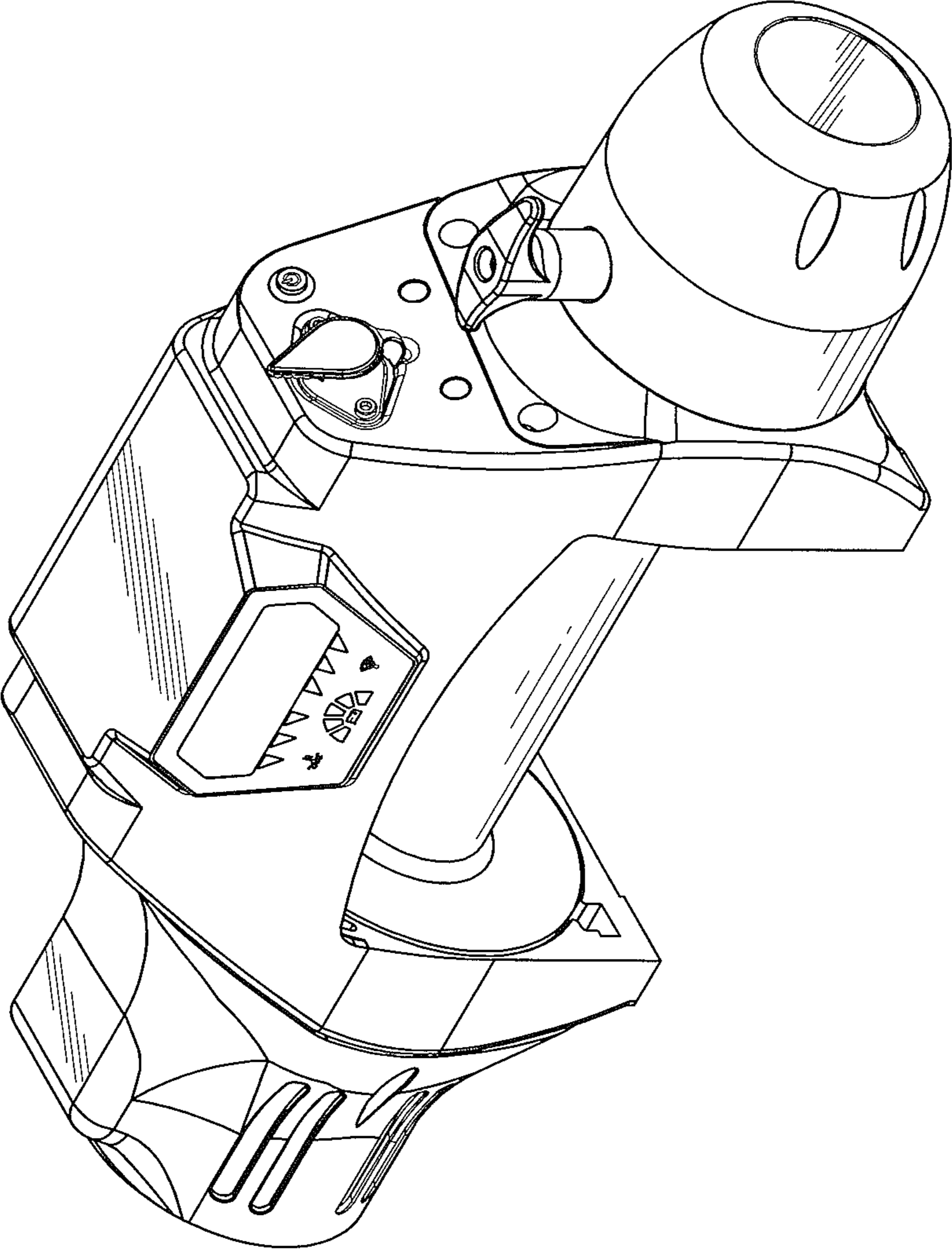


FIG. 1

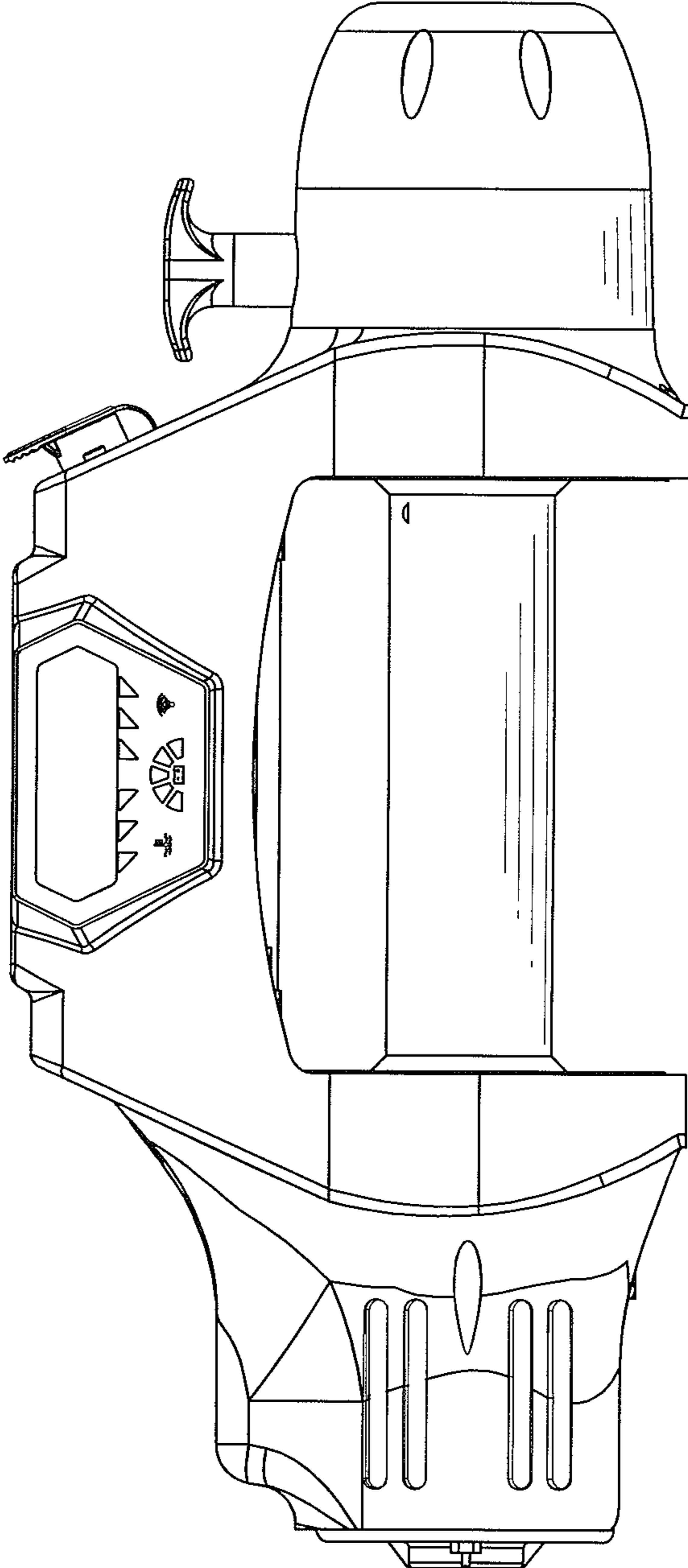


FIG. 2

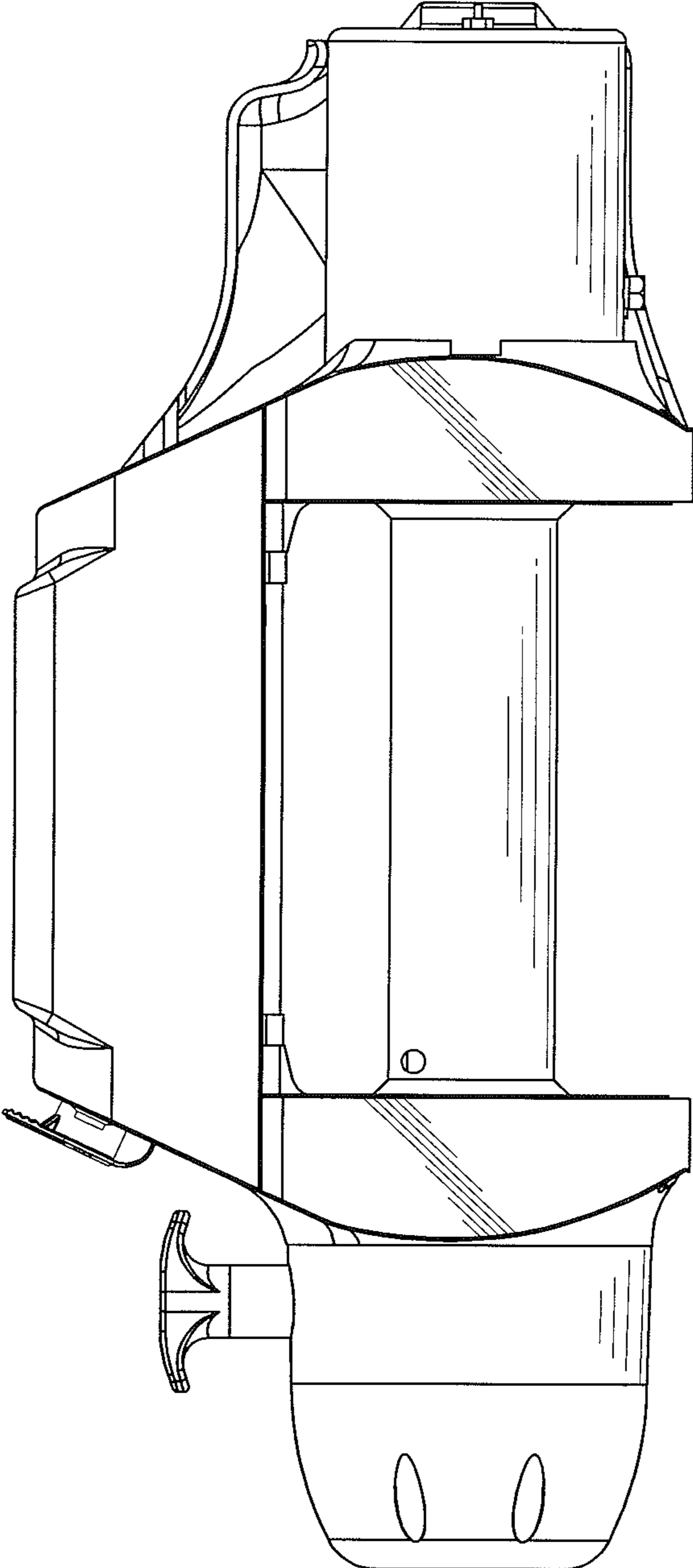


FIG. 3

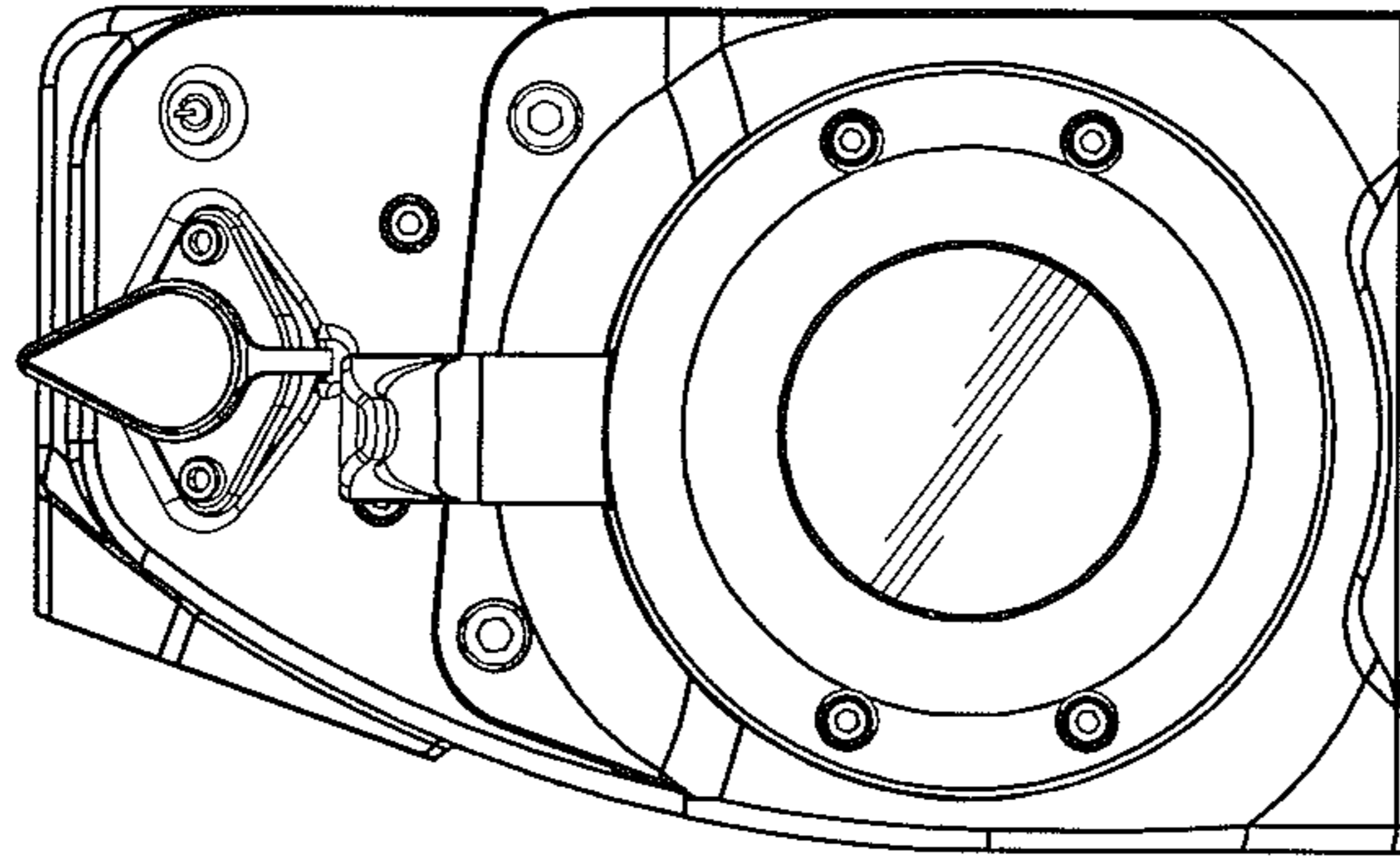


FIG. 5

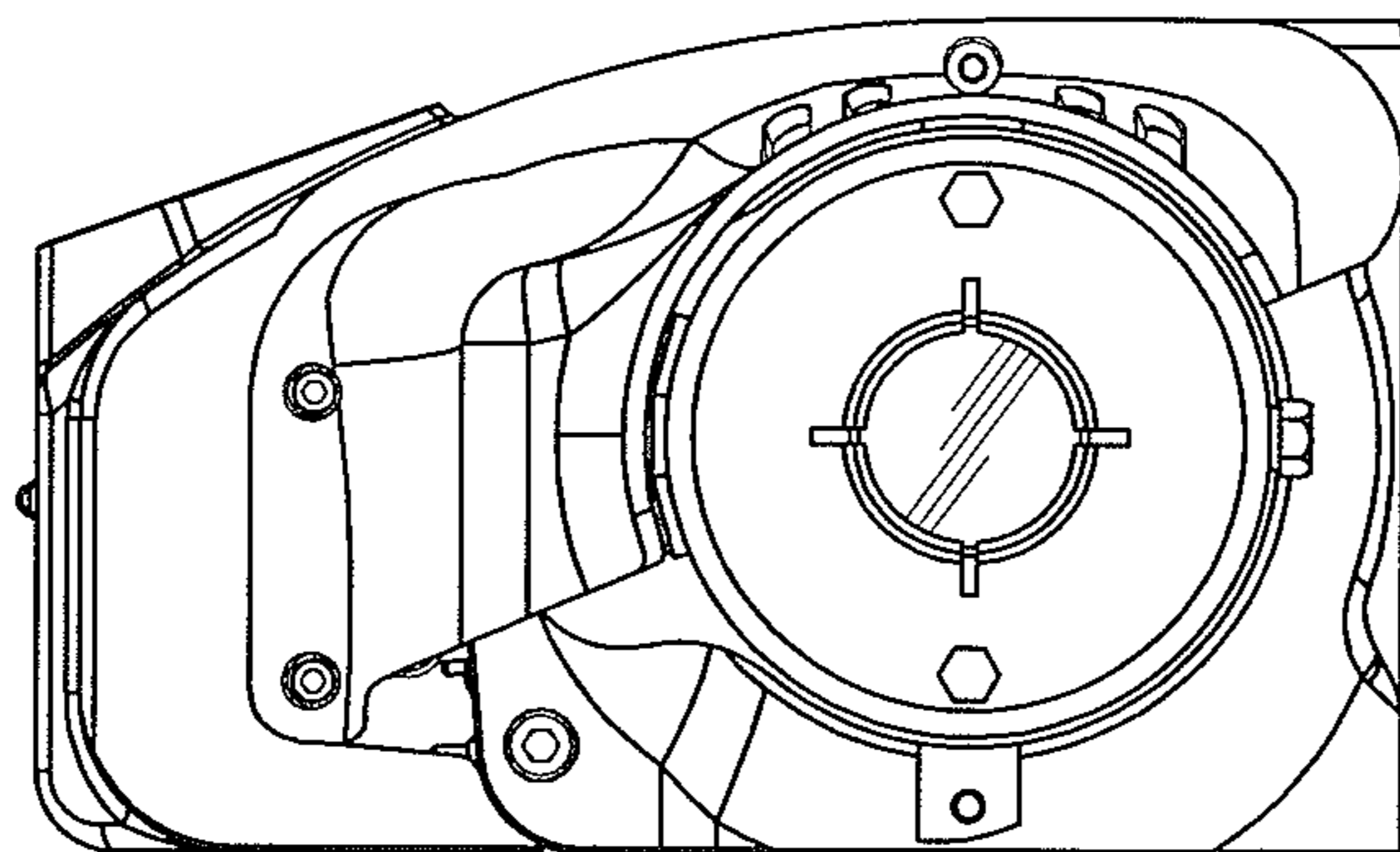


FIG. 4

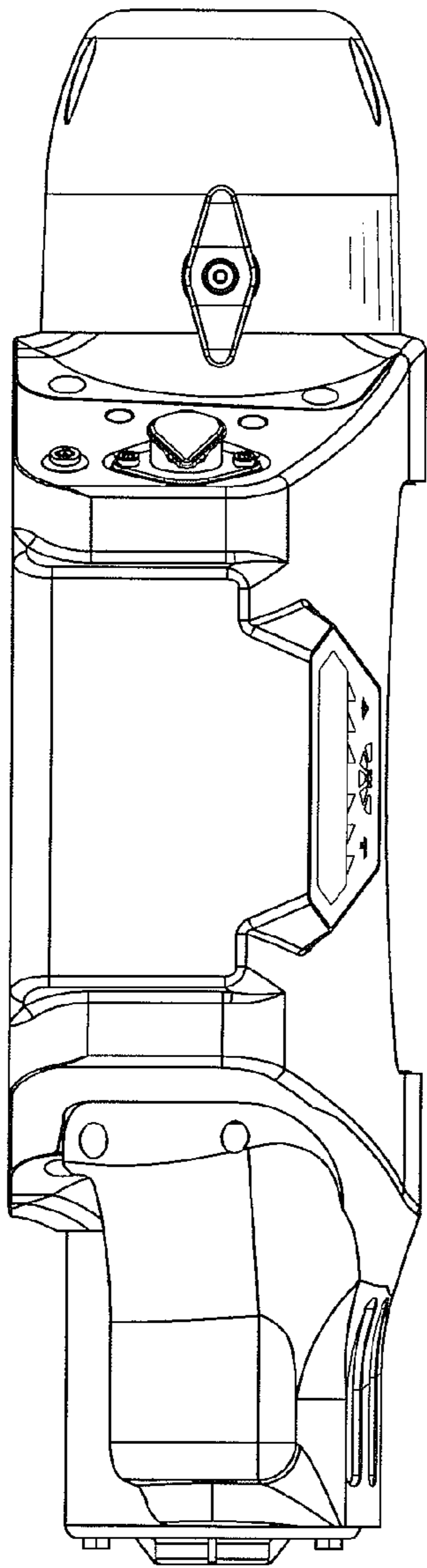


FIG. 6

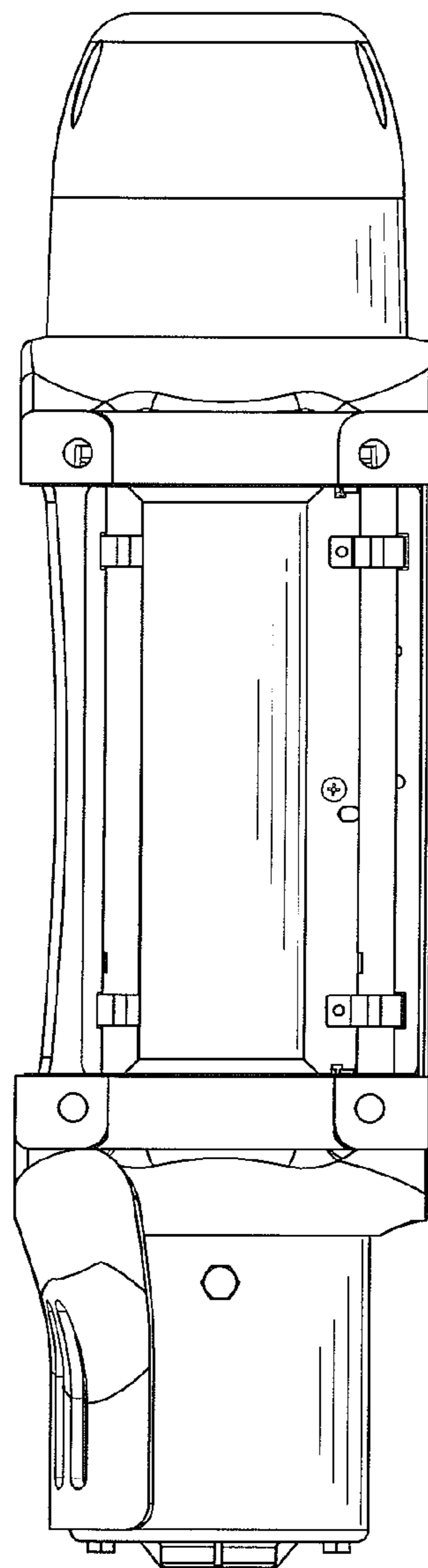


FIG. 7

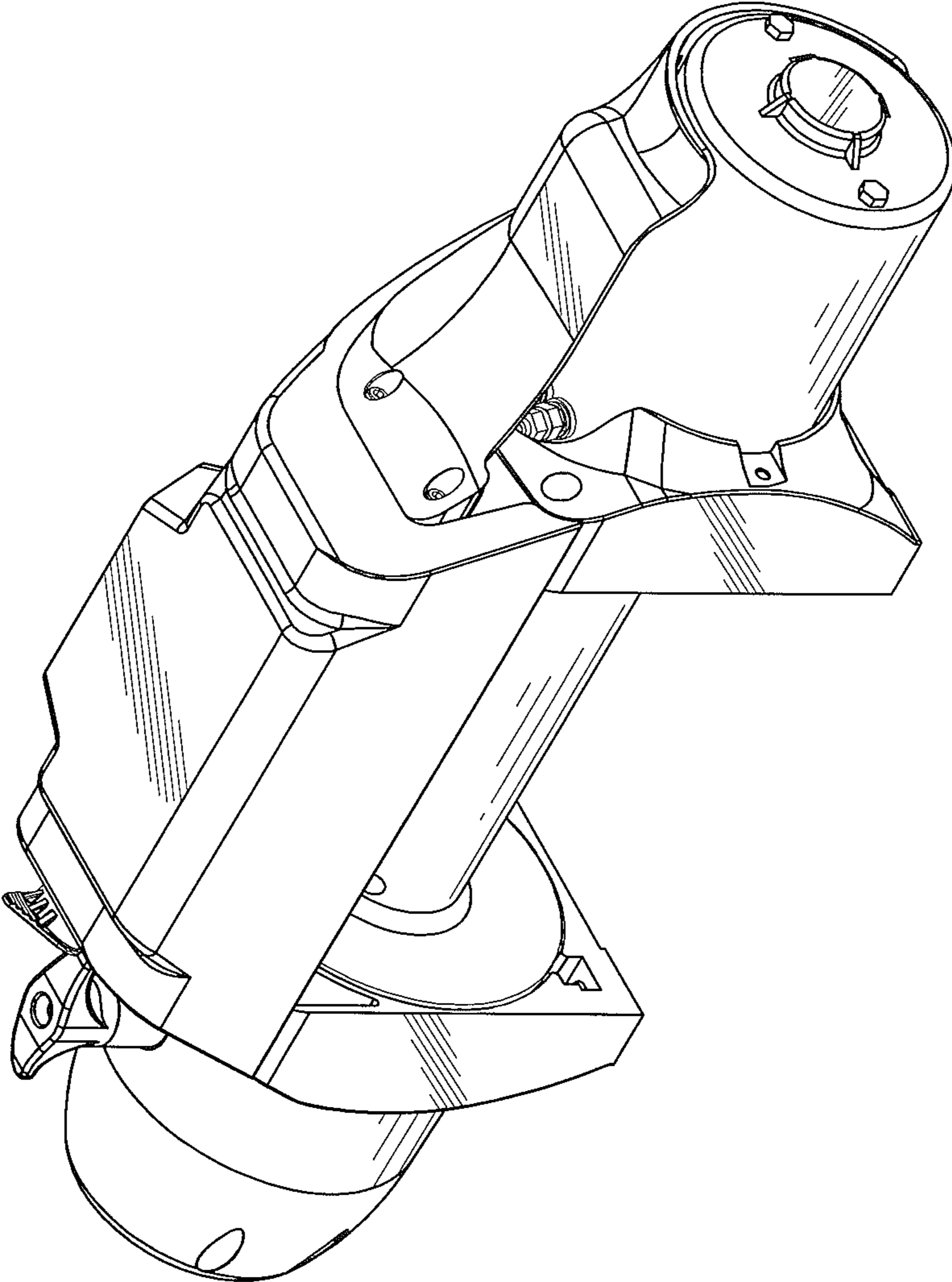


FIG. 8