



US00D741036S

(12) **United States Design Patent**  
**MacDonnell**

(10) **Patent No.:** **US D741,036 S**  
(45) **Date of Patent:** **\*\* Oct. 13, 2015**

(54) **PAINT CADDY**

(71) Applicant: **Dan MacDonnell**, Grimsby (CA)

(72) Inventor: **Dan MacDonnell**, Grimsby (CA)

(\*\*) Term: **14 Years**

(21) Appl. No.: **29/502,313**

(22) Filed: **Sep. 15, 2014**

(51) **LOC (10) Cl.** ..... **07-07**

(52) **U.S. Cl.**  
USPC ..... **D32/53.1**

(58) **Field of Classification Search**  
USPC ..... D32/53, 53.1, 54; D4/199; 15/146;  
220/694-702  
See application file for complete search history.

(56) **References Cited**

**U.S. PATENT DOCUMENTS**

775,526 A \* 11/1904 Dunbar ..... 248/111  
D139,569 S \* 11/1944 O'Brien ..... D32/53  
4,436,217 A \* 3/1984 Ritter ..... 220/736

5,322,183 A \* 6/1994 Strachan ..... 220/697  
D358,914 S \* 5/1995 Masse et al. .... D32/54  
5,493,751 A \* 2/1996 Misiukowiec et al. .... 15/257.06  
D389,626 S \* 1/1998 Lundy ..... D32/53  
5,791,534 A \* 8/1998 Davis et al. .... 224/148.7  
D473,689 S \* 4/2003 Verhaar ..... D32/54  
D477,447 S \* 7/2003 Calaicone ..... D32/53

\* cited by examiner

*Primary Examiner* — Robin V Webster

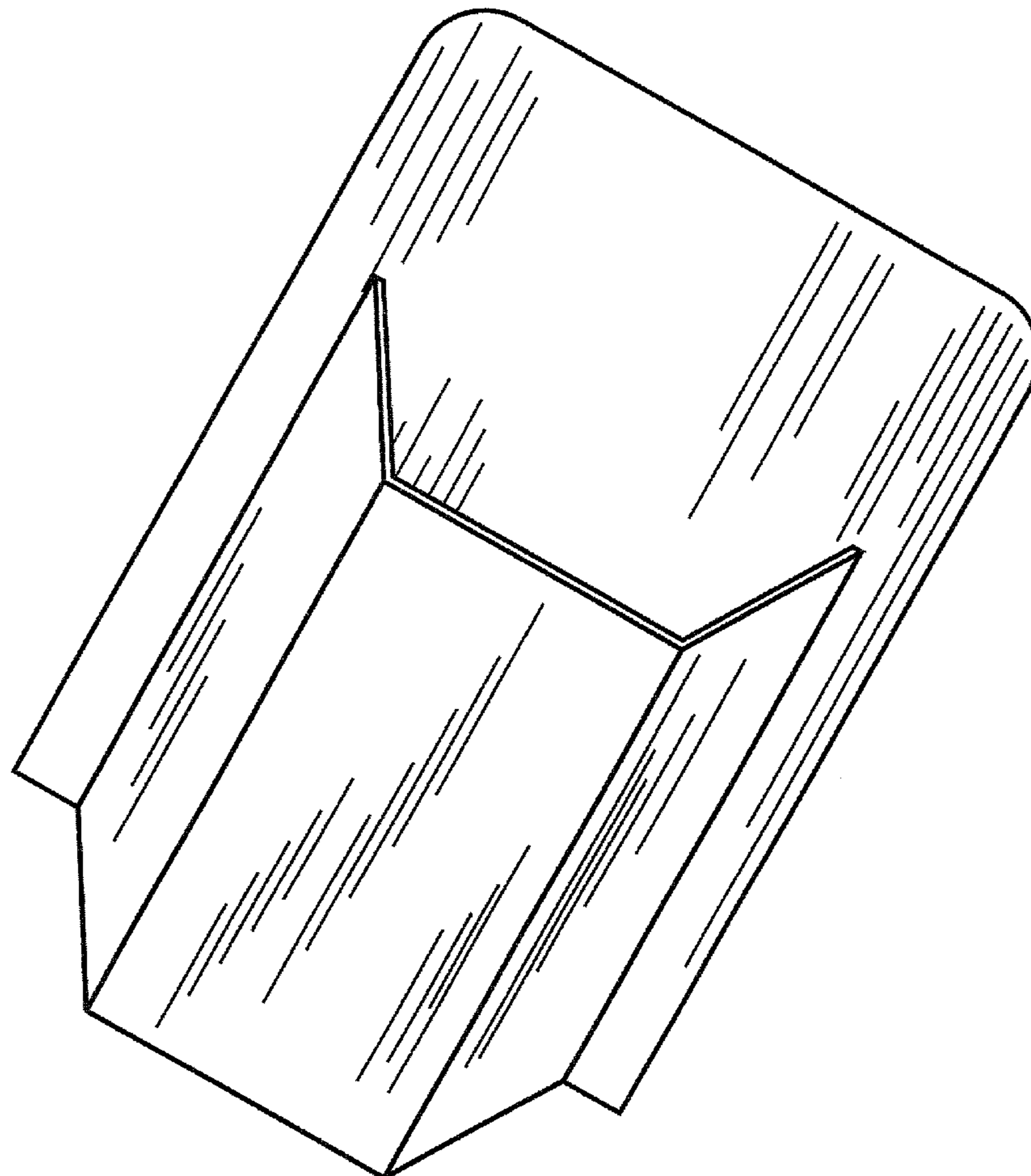
(57) **CLAIM**

The ornamental design for a paint caddy, as shown and described.

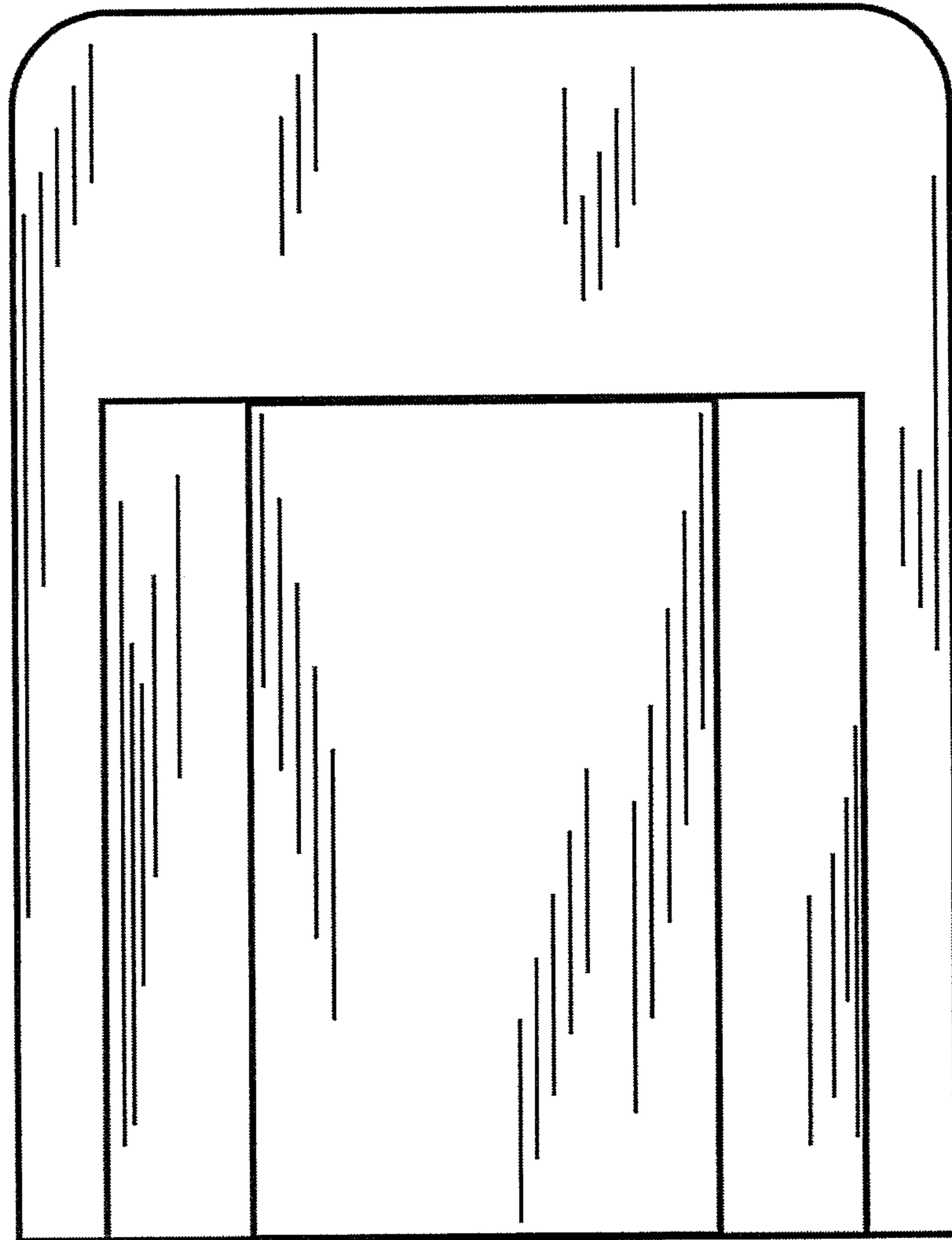
**DESCRIPTION**

FIG. 1 is a front plan view of the present design a paint caddy. FIG. 2 is a top plan view of the paint caddy shown in FIG. 1. FIG. 3 is a bottom plan view of the paint caddy shown in FIG. 1. FIG. 4 is a front perspective view of the paint caddy shown in FIG. 1; and, FIG. 5 is a rear perspective view of the paint caddy shown in FIG. 1.

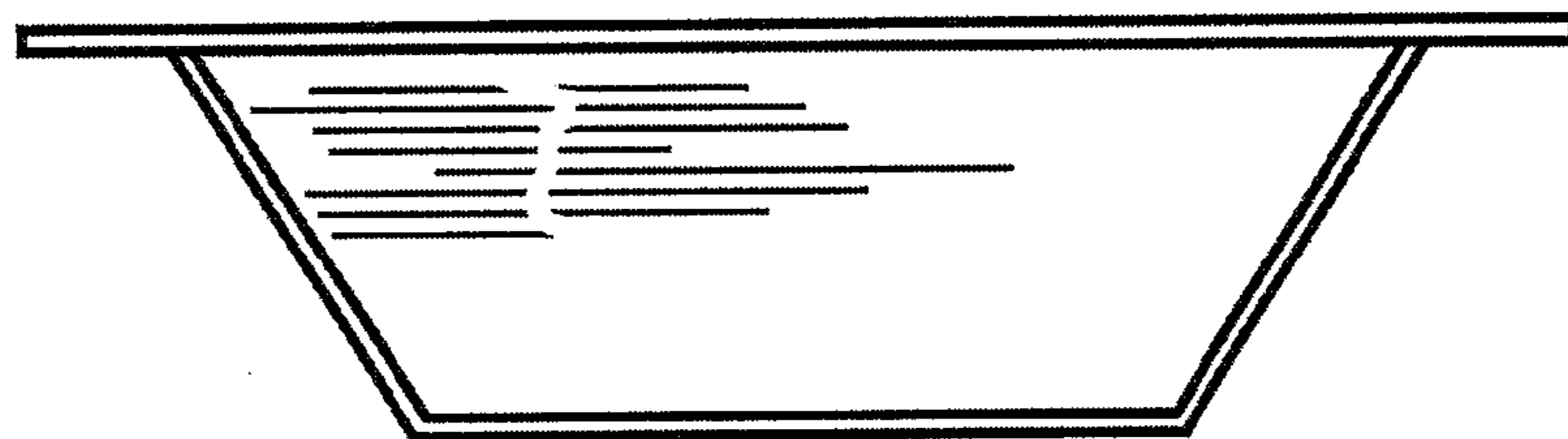
**1 Claim, 3 Drawing Sheets**



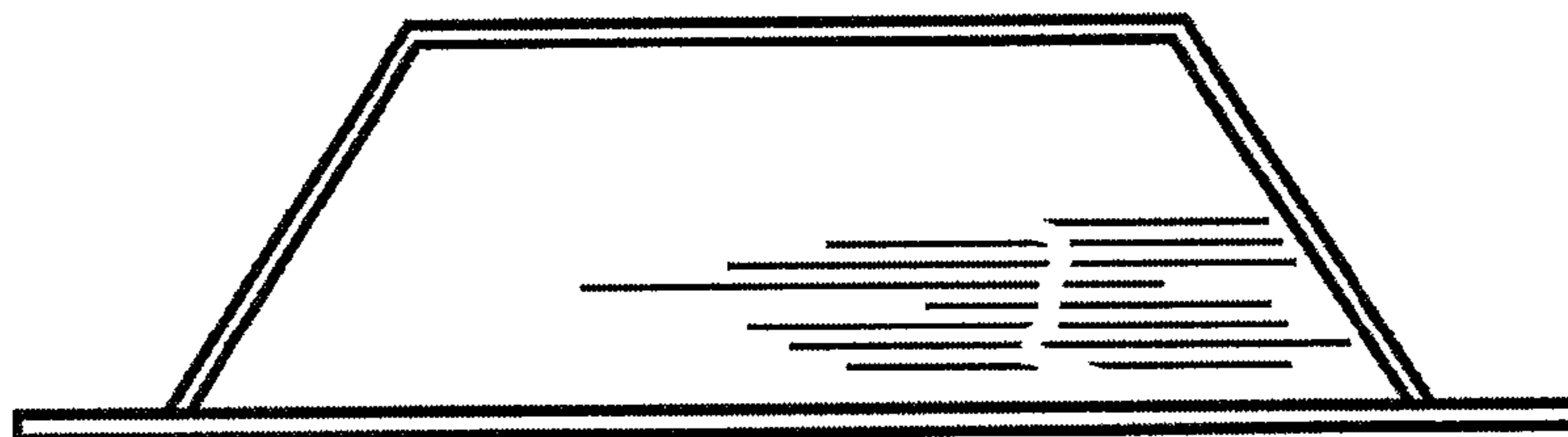
*fig. -1*



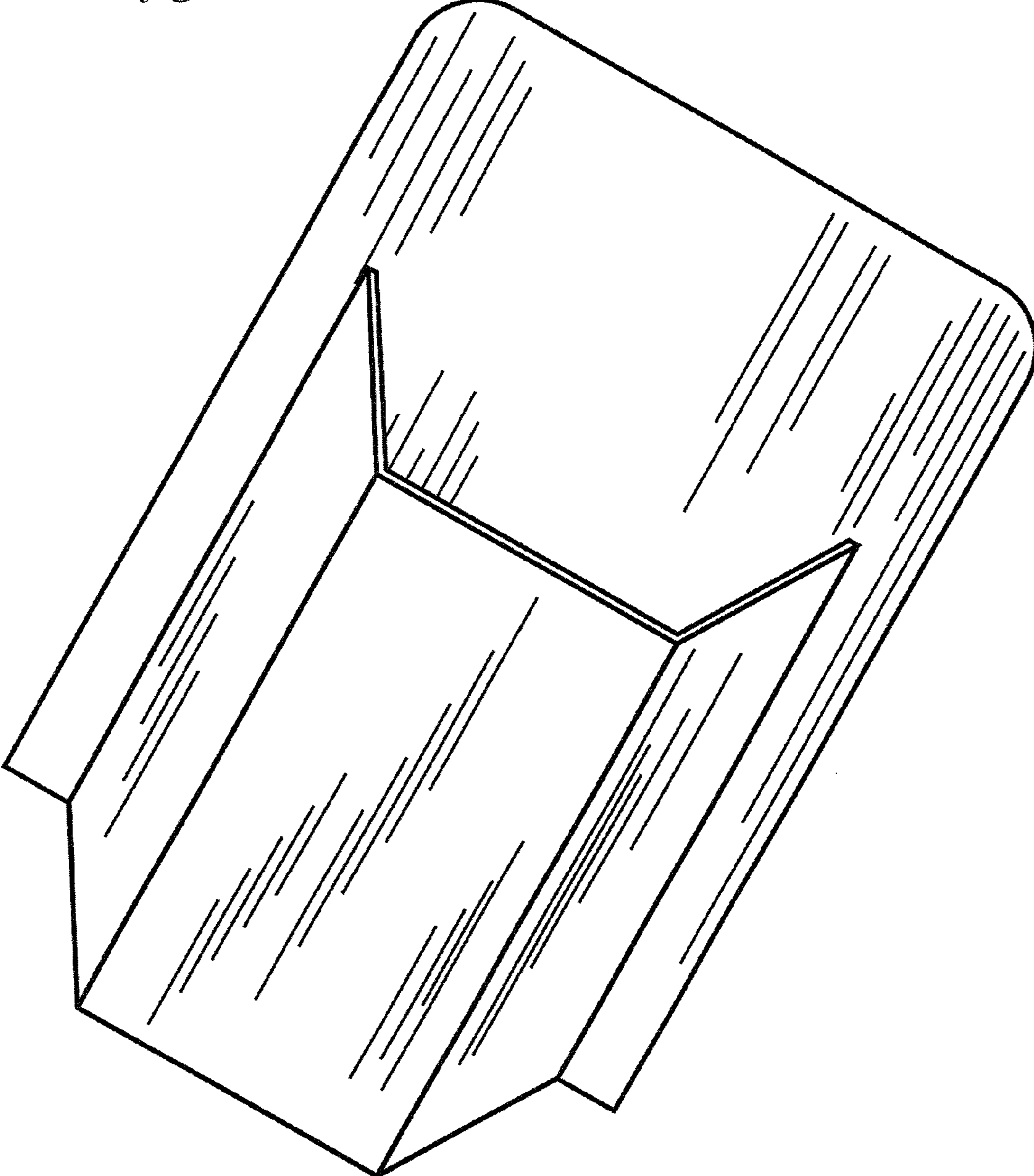
*fig. -2*



*fig. -3*



*fig. -4*



*fig. -5*

