



US00D741035S

(12) **United States Design Patent**  
**van Pruysen**

(10) **Patent No.:** **US D741,035 S**  
(45) **Date of Patent:** **\*\* Oct. 13, 2015**

(54) **CONTAINER**  
(71) Applicant: **CLARIANT PRODUCTION**  
**(FRANCE) SAS**, Trosly Breuil (FR)  
(72) Inventor: **M. Michel van Pruysen**, Romorantin  
(FR)  
(73) Assignee: **CLARIANT PRODUCTION**  
**(FRANCE) SAS**, Trosly Breuil (FR)

5,971,199 A 10/1999 Jackson et al.  
D469,233 S 1/2003 Begnani  
D633,675 S 3/2011 Libman et al.  
D636,549 S 4/2011 Rockwell, III et al.  
D683,510 S 5/2013 Schick  
D683,920 S 6/2013 Bonafide  
D684,328 S 6/2013 Vasilakes et al.

*Primary Examiner* — Robin V Webster  
(74) *Attorney, Agent, or Firm* — Scully, Scott, Murphy &  
Presser, P.C.

(\*\*) Term: **14 Years**  
(21) Appl. No.: **29/503,096**  
(22) Filed: **Sep. 23, 2014**

(57) **CLAIM**  
The ornamental design for a container, as shown and  
described.

**Related U.S. Application Data**

(62) Division of application No. 29/434,299, filed on Oct.  
11, 2012, now Pat. No. Des. 715,507.  
(51) **LOC (10) Cl.** ..... **07-07**  
(52) **U.S. Cl.**  
USPC ..... **D32/53**  
(58) **Field of Classification Search**  
USPC ..... D32/53-54; 220/659, 904; 15/260-264  
See application file for complete search history.

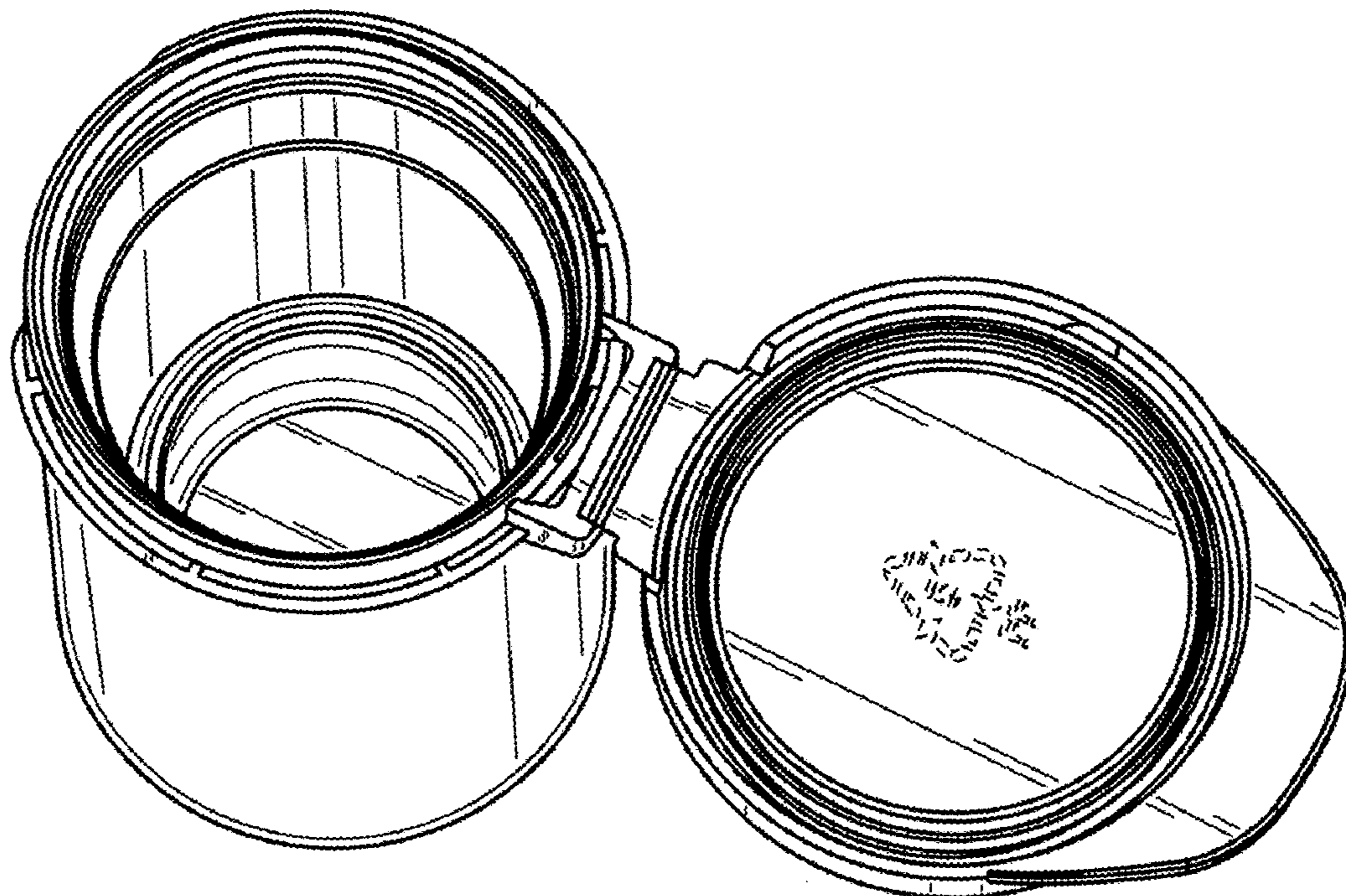
**DESCRIPTION**

FIG. 1 illustrates a sectional view of a container along lines  
1-1 of FIG. 4;  
FIG. 2 illustrates a side view thereof;  
FIG. 3 illustrates a front view thereof;  
FIG. 4 illustrates a perspective view thereof;  
FIG. 5 illustrates a sectional view thereof along the lines 5-5  
of FIG. 2;  
FIG. 6 illustrates a top view thereof; and,  
FIG. 7 illustrates a perspective view thereof.  
The broken line shown in FIGS. 6 and 7 is included for the  
purpose of illustration and forms no part of the claimed  
design.

(56) **References Cited**  
**U.S. PATENT DOCUMENTS**

2,755,838 A 7/1956 Kennedy, Jr.  
D329,572 S 9/1992 Krupa

**1 Claim, 7 Drawing Sheets**



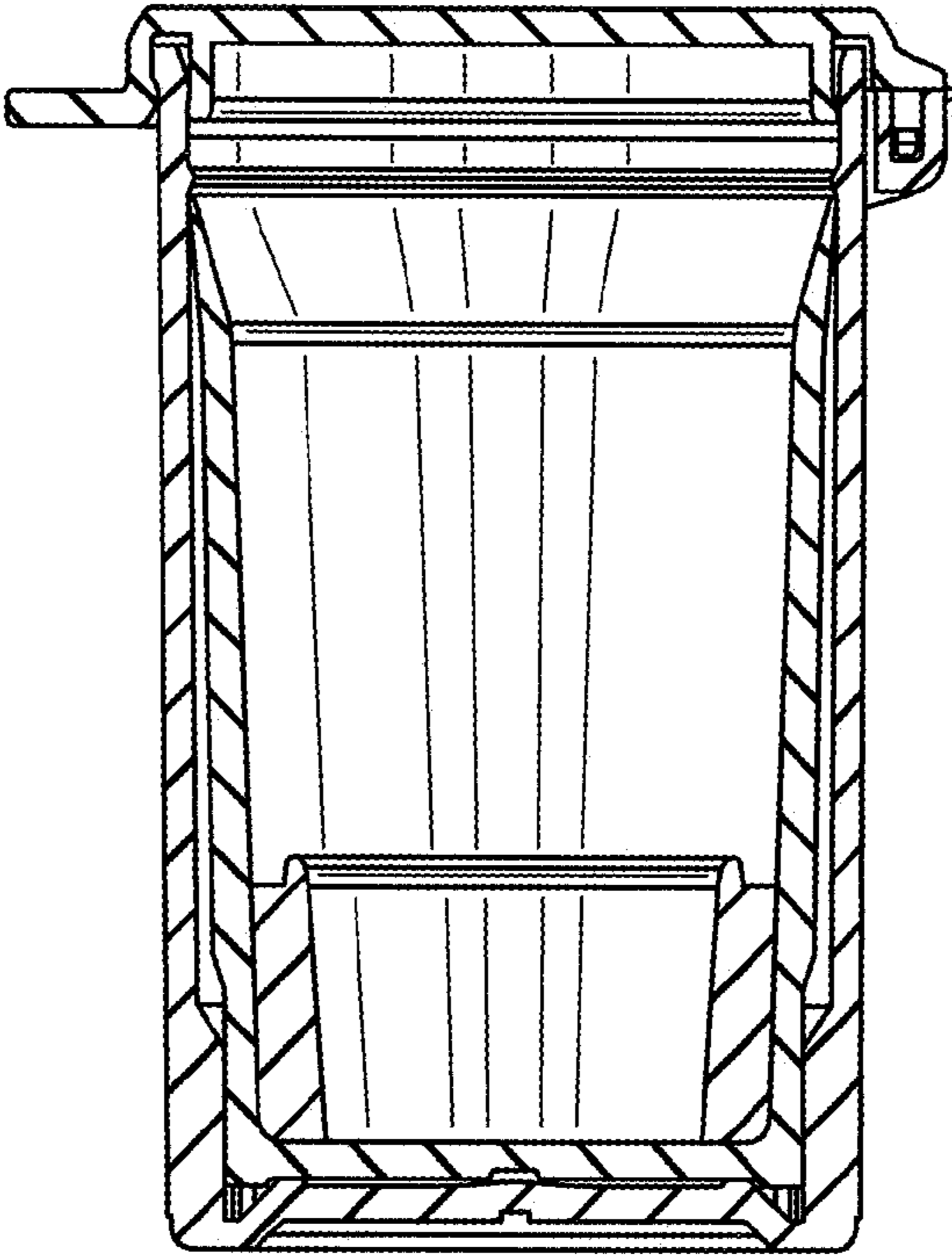


FIG. 1

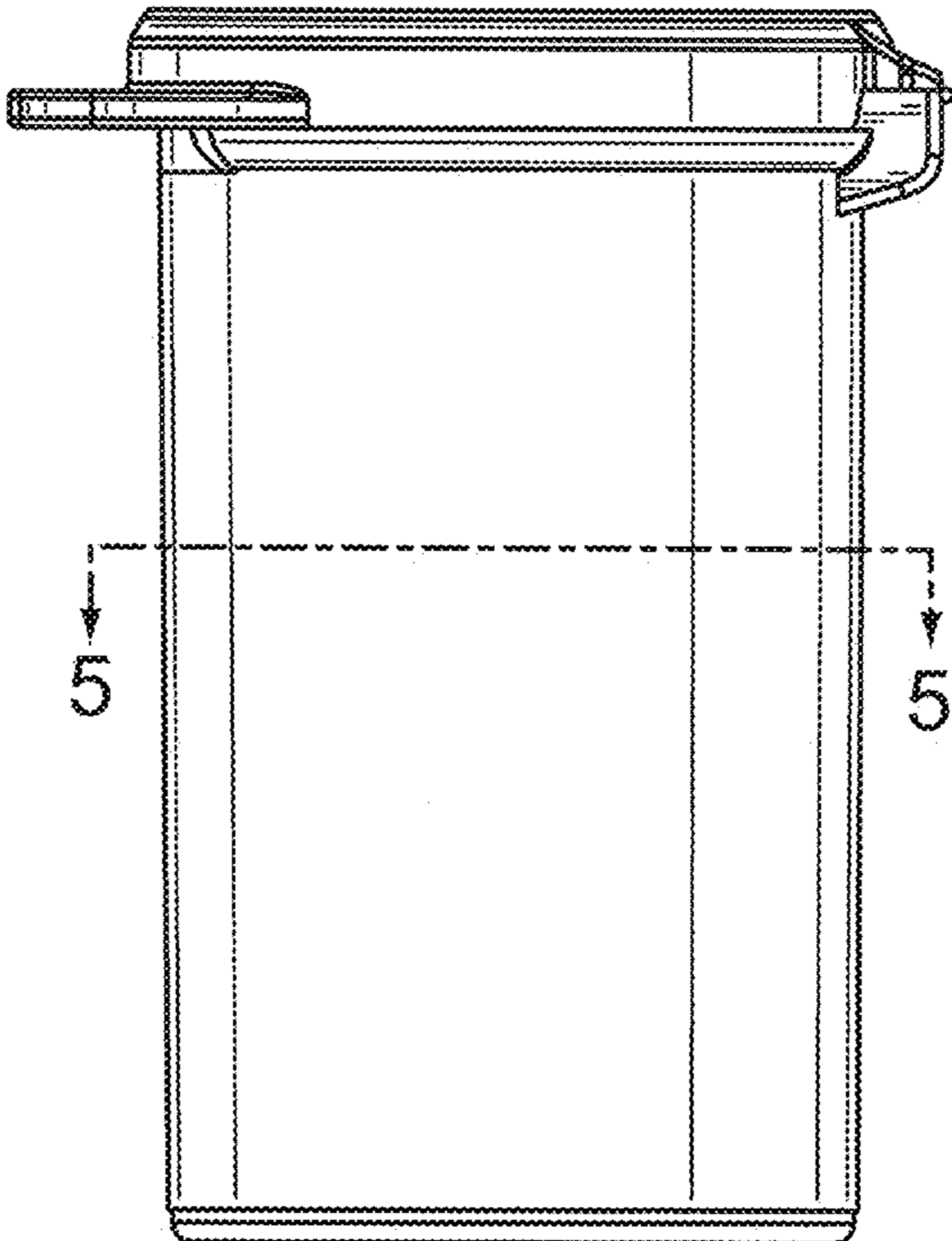


FIG. 2

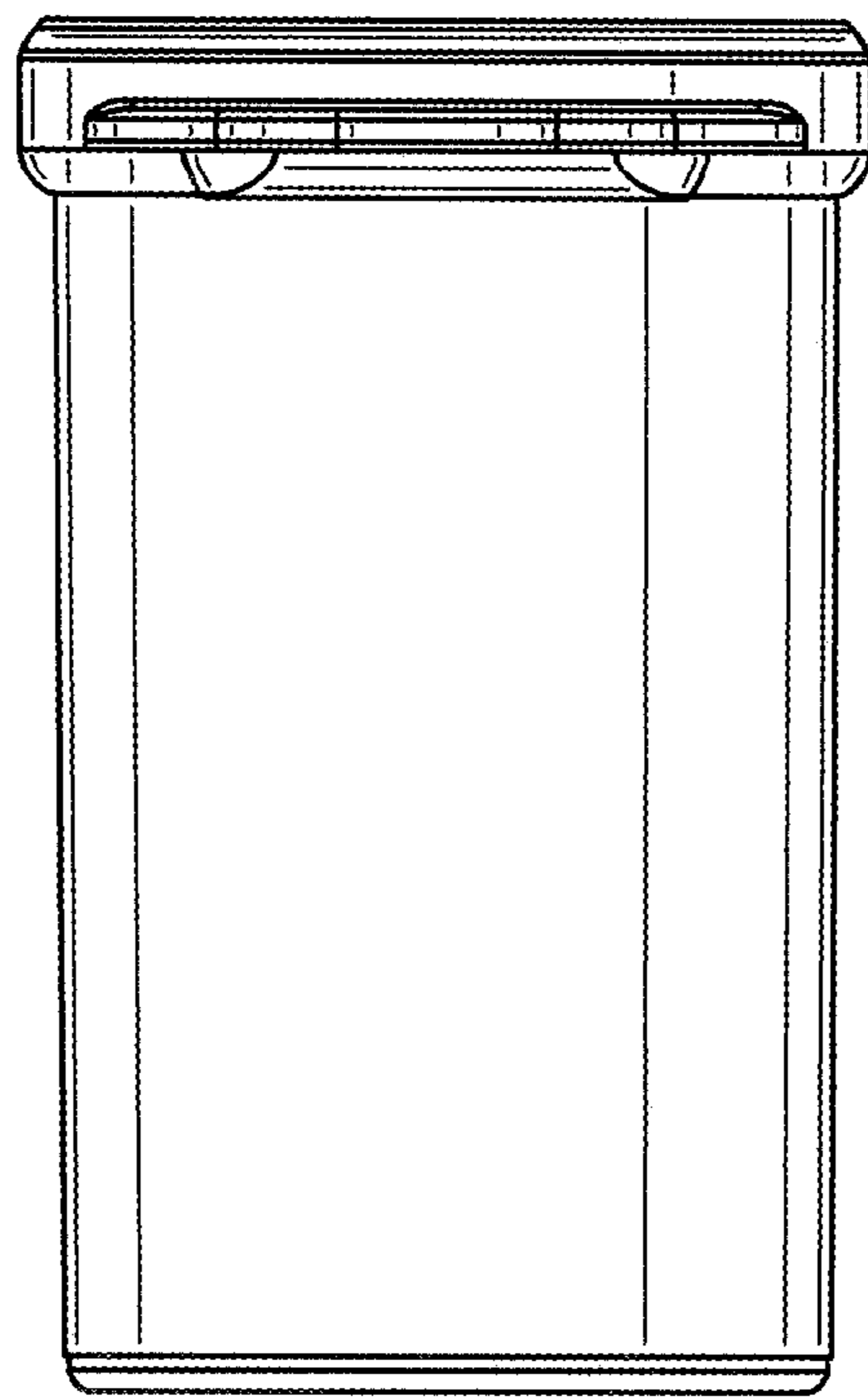


FIG. 3

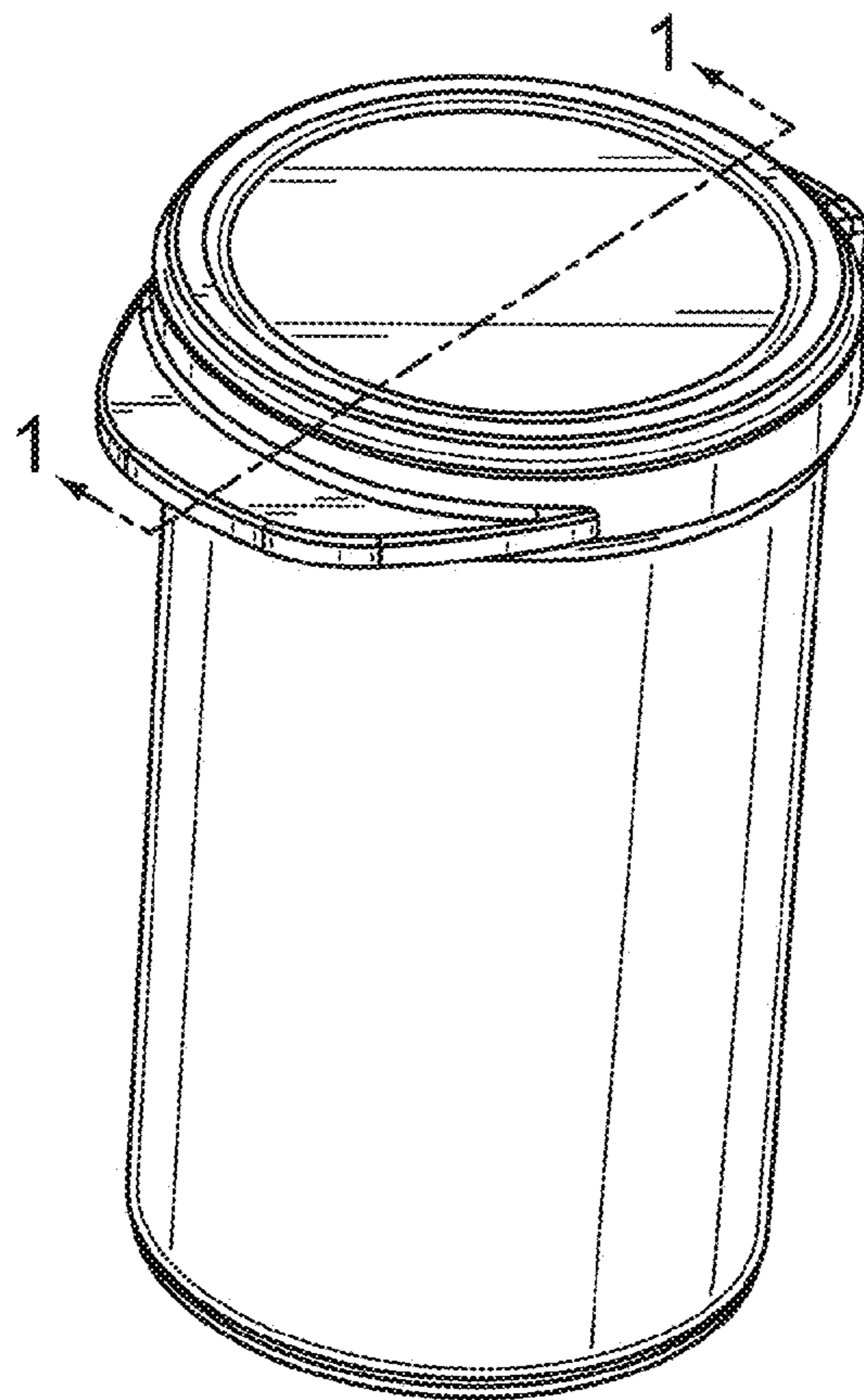


FIG. 4

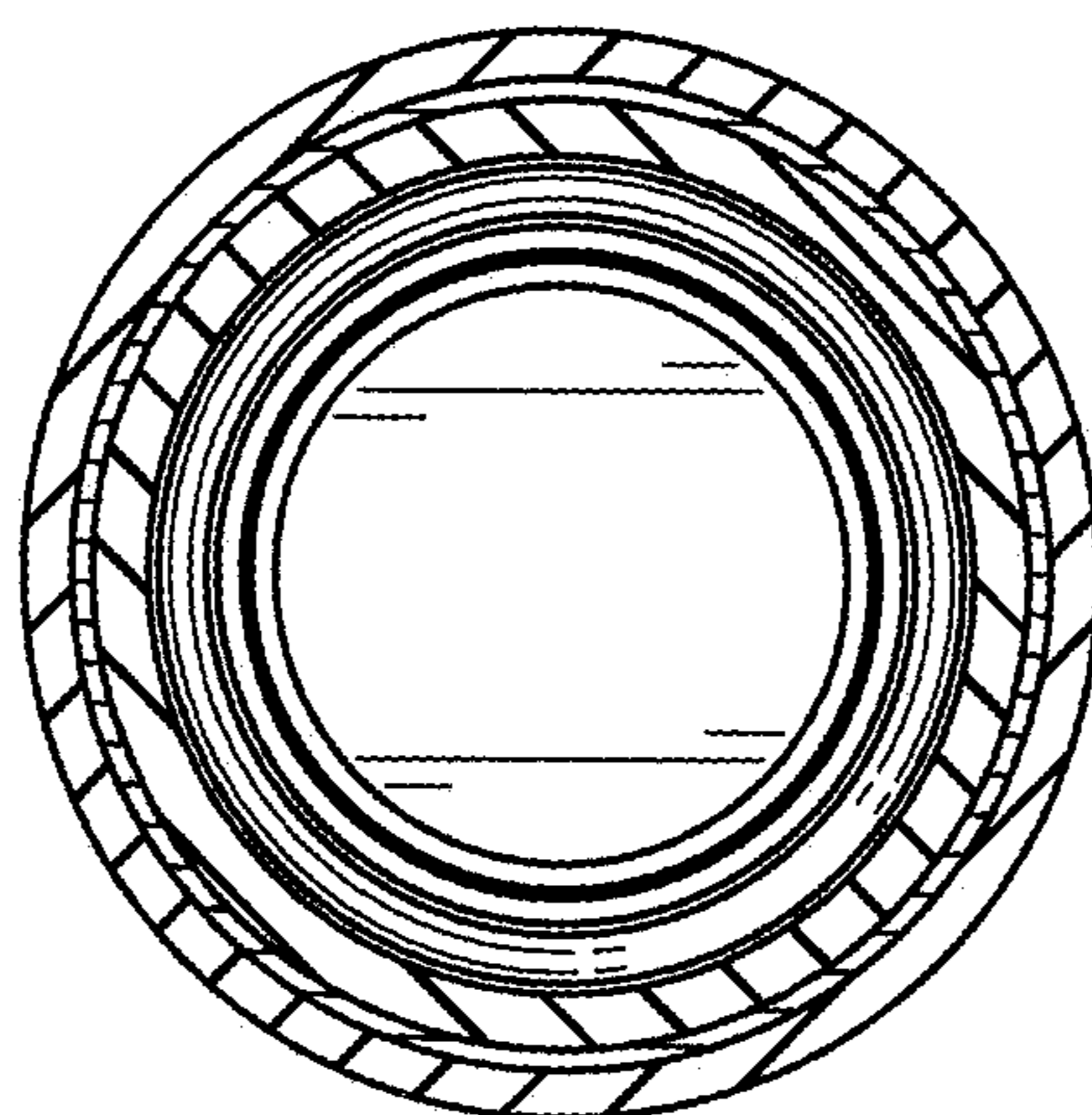


FIG. 5

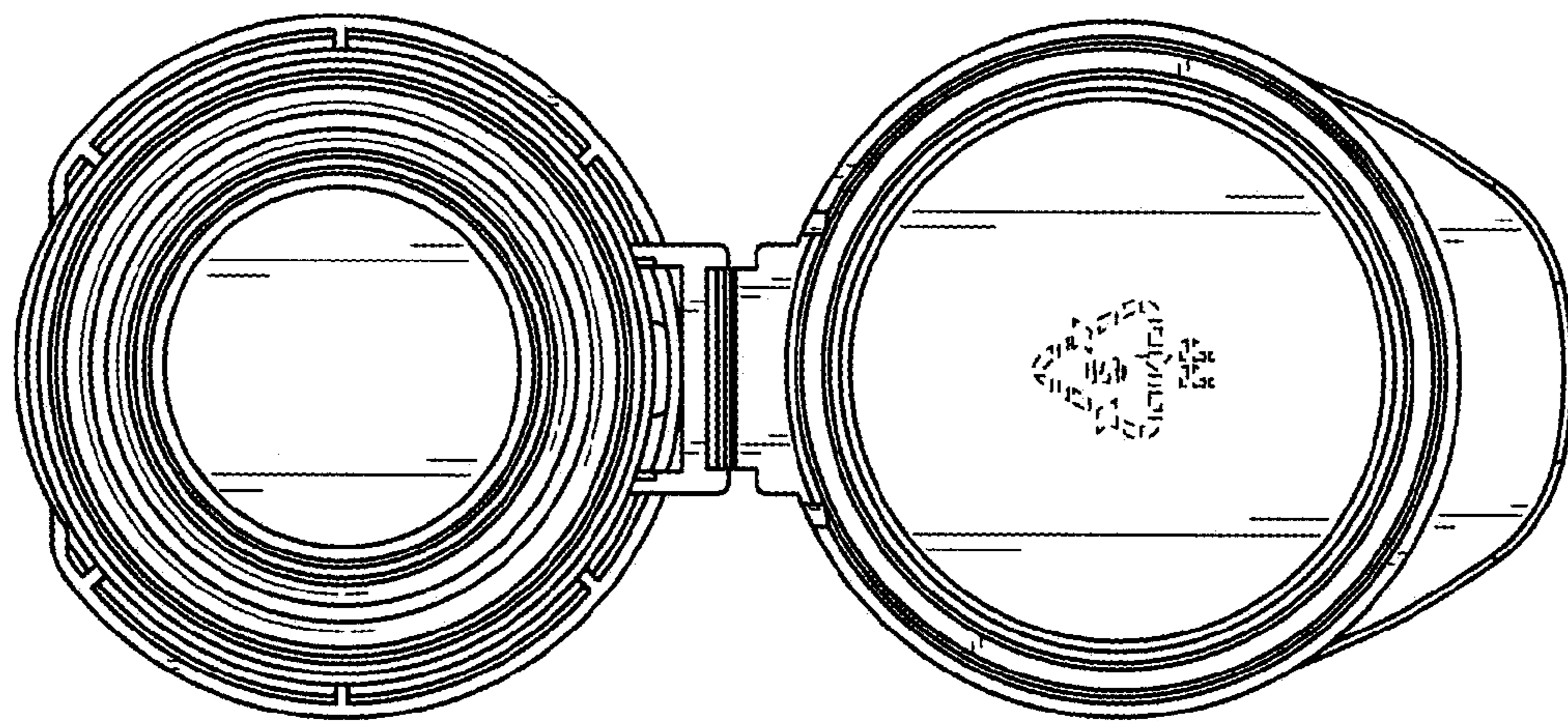


FIG. 6

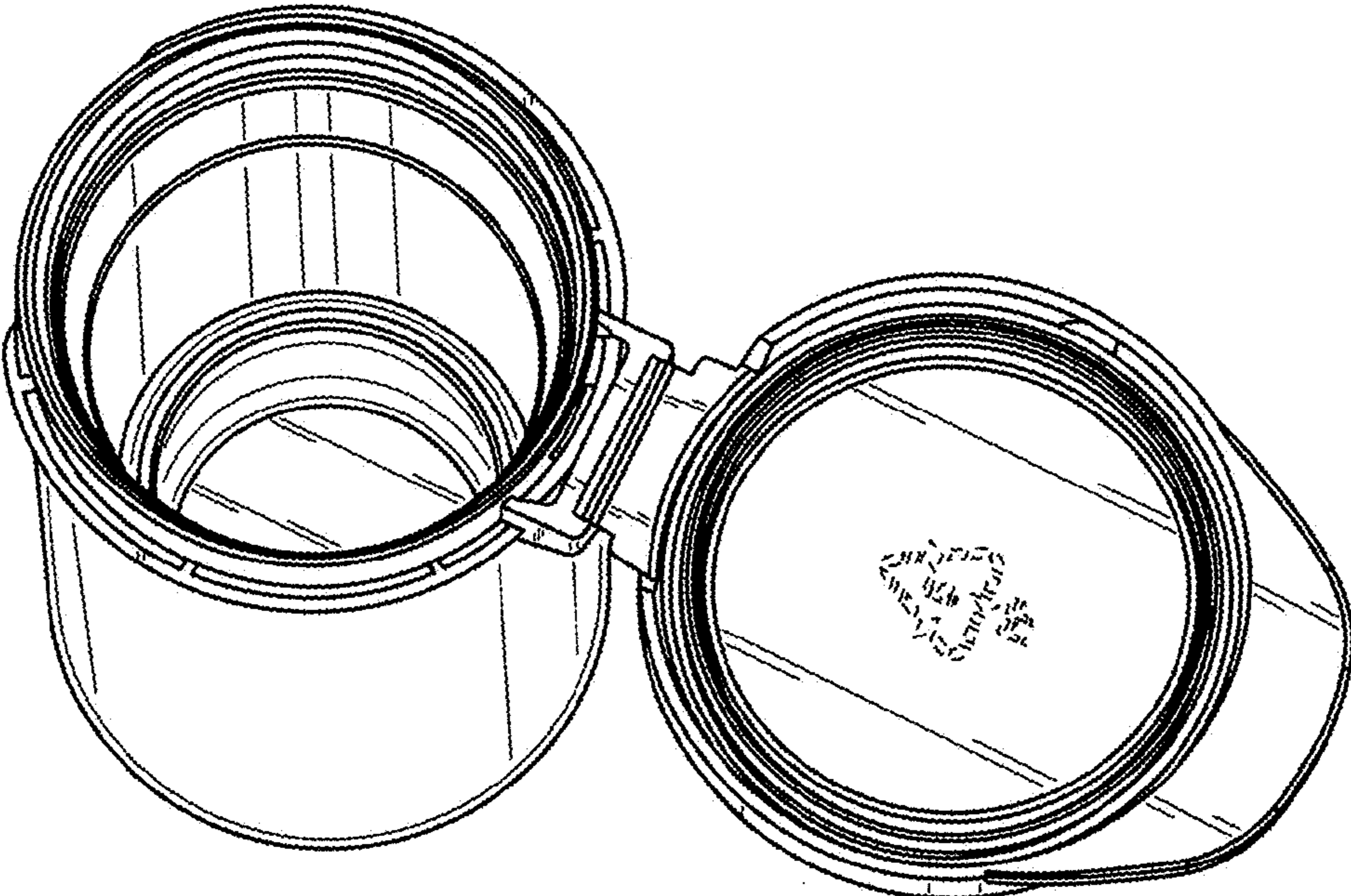


FIG. 7