



US00D741032S

(12) **United States Design Patent**
Roberson et al.

(10) **Patent No.:** **US D741,032 S**
(45) **Date of Patent:** **** Oct. 13, 2015**

- (54) **DISHWASHER CONTROL PANEL**
- (71) Applicant: **BSH Home Appliances Corporation**,
Irvine, CA (US)
- (72) Inventors: **Lindsay Roberson**, Durham, NC (US);
Thomas Ott, Neubiberg (DE)
- (73) Assignee: **BSH Home Appliances Corporation**,
Irvine, CA (US)
- (**) Term: **14 Years**
- (21) Appl. No.: **29/524,473**
- (22) Filed: **Apr. 21, 2015**

Related U.S. Application Data

- (62) Division of application No. 29/480,570, filed on Jan. 28, 2014, now Pat. No. Des. 732,757, which is a division of application No. 29/467,698, filed on Sep. 23, 2013, now Pat. No. Des. 704,397, which is a division of application No. 29/443,700, filed on Jan. 22, 2013, now Pat. No. Des. 696,475, which is a division of application No. 29/403,659, filed on Oct. 10, 2011, now Pat. No. Des. 681,289.
- (51) **LOC (10) Cl.** **15-05**
- (52) **U.S. Cl.**
USPC **D32/3**
- (58) **Field of Classification Search**
USPC D32/1, 2, 3, 25, 28; 312/31, 109, 228;
134/56 D, 57 D, 58 D, 58 DL, 201;
D7/340, 348-350, 405
See application file for complete search history.

(56) **References Cited**

U.S. PATENT DOCUMENTS

- 5,365,959 A * 11/1994 Favaro 134/113
- D385,070 S * 10/1997 Hughes et al. D32/3

- 7,014,281 B2 * 3/2006 Wuestefeld et al. 312/204
- D538,983 S * 3/2007 Green et al. D32/3
- 7,216,944 B2 * 5/2007 Oyler et al. 312/311
- D561,956 S * 2/2008 Baldwin D32/3
- D580,603 S * 11/2008 Busalt et al. D32/3
- D677,843 S * 3/2013 Eng et al. D32/3
- 2004/0256965 A1 * 12/2004 Koons 312/405

* cited by examiner

Primary Examiner — Robert Delehanty

(74) *Attorney, Agent, or Firm* — James E. Howard; Andre Pallapies

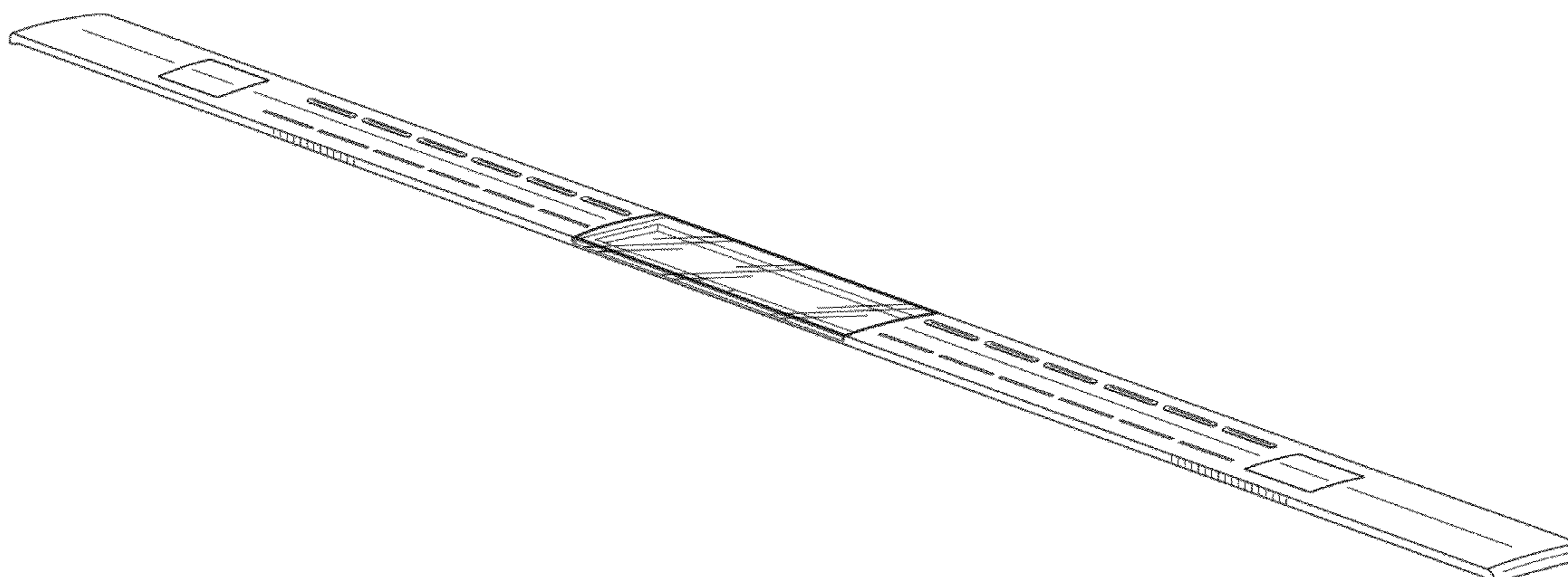
(57) **CLAIM**

The ornamental design for a dishwasher control panel, as shown and described.

DESCRIPTION

FIG. 1 is a front perspective view of a dishwasher control panel according to our new ornamental design;
 FIG. 2 is a top view thereof;
 FIG. 3 is a front view thereof; and,
 FIG. 4 is a side view thereof on a slightly enlarged scale.
 The broken lines of the dishwasher, dishwasher compartment and/or components thereof show surrounding structure or environment and do not form part of the claimed design.
 The dotted lines represent the border between claimed and unclaimed subject matter and do not form a part of the claimed design.
 The bottom and rear parts of the dishwasher door, and the bottom, rear and top of the dishwasher compartment are unornamented or simply not claimed and form no part of the claimed design.

1 Claim, 1 Drawing Sheet



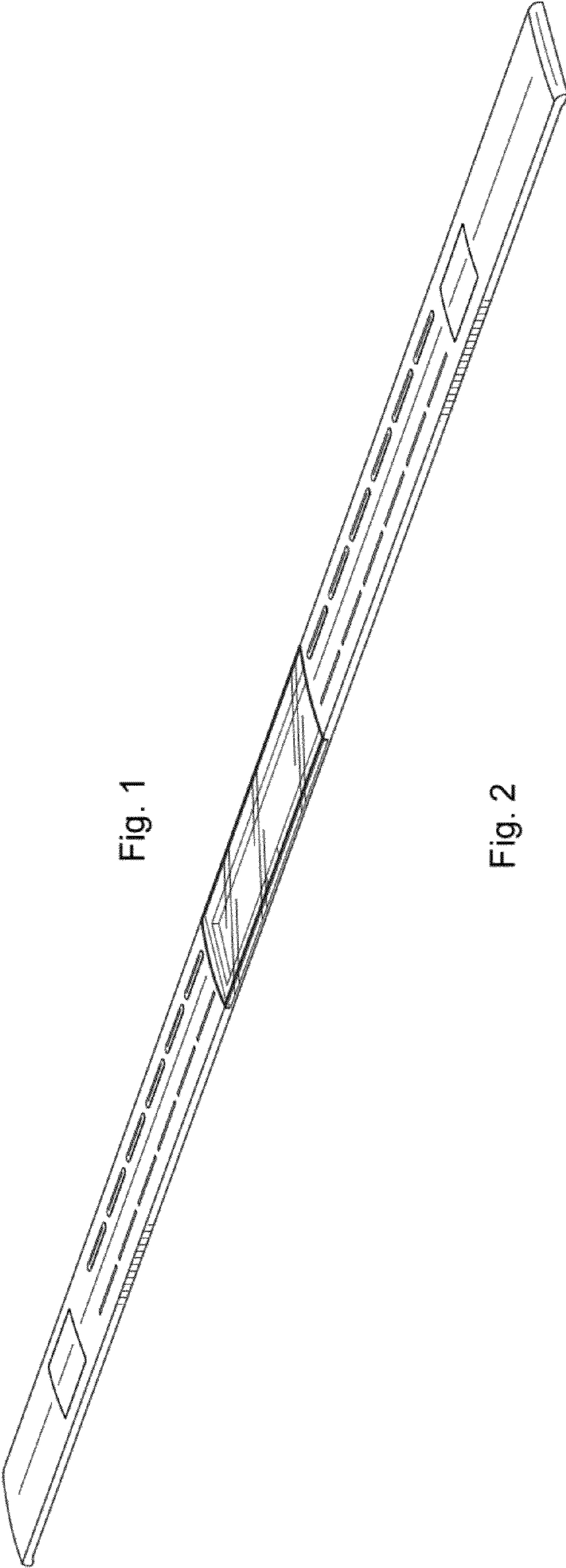


Fig. 1

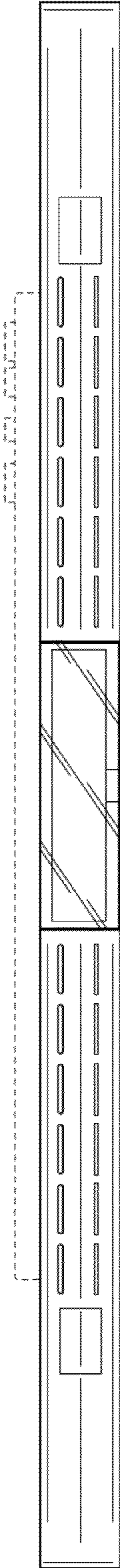


Fig. 2

Fig. 3

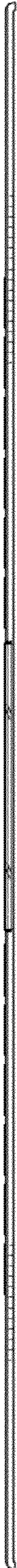


Fig. 4

