



US00D741029S

(12) **United States Design Patent**
Risso et al.

(10) **Patent No.:** **US D741,029 S**
(45) **Date of Patent:** **** Oct. 13, 2015**

(54) **BASE FOR PET ATTRACTANT TOYS**

(71) Applicant: **Worldwise, Inc.**, San Rafael, CA (US)

(72) Inventors: **Michael Risso**, Napa, CA (US); **Aimee Diskin**, Napa, CA (US); **Sara Paculdo**, Novato, CA (US); **Regina Chern**, Danville, CA (US)

(73) Assignee: **Worldwise, Inc.**, San Rafael, CA (US)

(**) Term: **14 Years**

(21) Appl. No.: **29/498,561**

(22) Filed: **Aug. 5, 2014**

(51) **LOC (10) Cl.** **30-99**

(52) **U.S. Cl.**
USPC **D30/160**

(58) **Field of Classification Search**

USPC D30/160; 119/702, 706-707; D9/549, D9/574; D11/131, 146, 152-154, 164; D19/96-97; D21/455, 460, 658; 273/449-450; 446/275, 325
CPC A01K 15/00; A01K 15/02; A01K 15/025; A01K 29/00; A63B 65/10; A63B 67/06; A63H 5/00; A63H 3/16; A63H 15/04; A63H 15/06; A63F 9/26

See application file for complete search history.

(56) **References Cited**

U.S. PATENT DOCUMENTS

712,786 A * 11/1902 Flint 446/325
1,228,615 A * 6/1917 Stafford 40/608
2,833,244 A * 5/1958 Bohlman 119/708
3,921,331 A * 11/1975 Schatz 446/325
5,381,325 A * 1/1995 Messana 362/410

D380,879 S * 7/1997 Hernandez D30/160
5,806,465 A * 9/1998 Baiera et al. 119/707
D411,042 S * 6/1999 Willinger D30/160
D411,357 S * 6/1999 Baiera et al. D30/160
D412,767 S * 8/1999 Bemis et al. D30/160
6,016,771 A * 1/2000 Baiera et al. 119/708
6,217,408 B1 * 4/2001 Willinger 119/707
6,530,815 B1 * 3/2003 Bro et al. 446/325
6,877,267 B2 * 4/2005 Burton 43/2
D533,110 S * 12/2006 Warner D11/162
7,905,491 B2 * 3/2011 Gray 273/450
D636,541 S * 4/2011 Oblack et al. D30/160
D658,817 S * 5/2012 Costello et al. D30/160
D661,849 S * 6/2012 Soto D30/160
8,225,747 B2 * 7/2012 Markham et al. 119/710
8,485,699 B2 * 7/2013 Reda, Jr. 362/401
D688,836 S * 8/2013 Costello D30/160
D704,396 S * 5/2014 Chen D30/160
D721,211 S * 1/2015 Lee et al. D30/160
D723,227 S * 2/2015 Diskin et al. D30/160
2011/0265374 A1 * 11/2011 Tompkins, IV 119/706
2014/0367284 A1 * 12/2014 Wurth et al. 119/709

* cited by examiner

Primary Examiner — Cathy A MacCormac

(74) *Attorney, Agent, or Firm* — Bay Area Technology Law Group, P.C.

(57) **CLAIM**

The ornamental design for a base for pet attractant toys, as shown and described.

DESCRIPTION

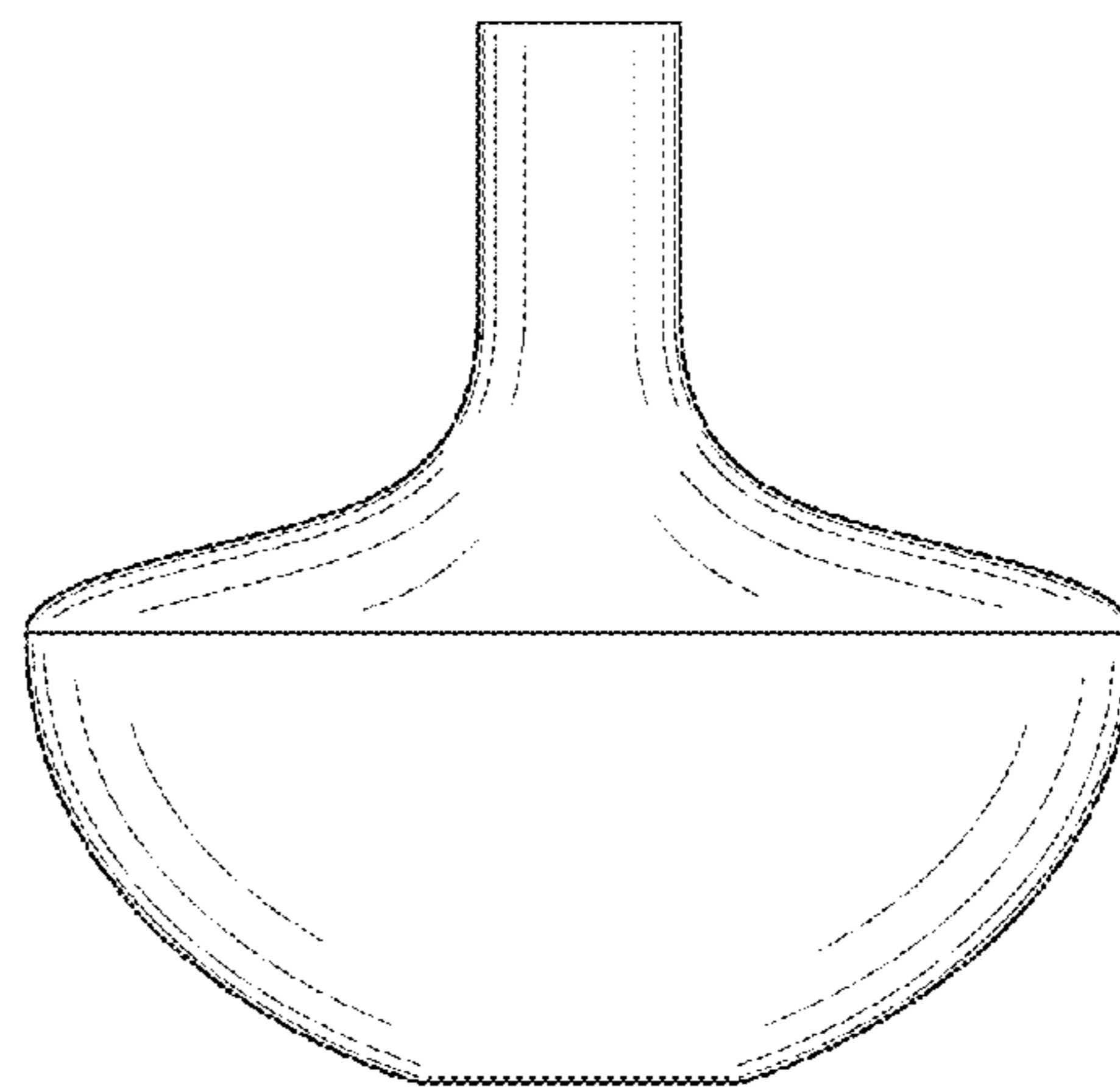
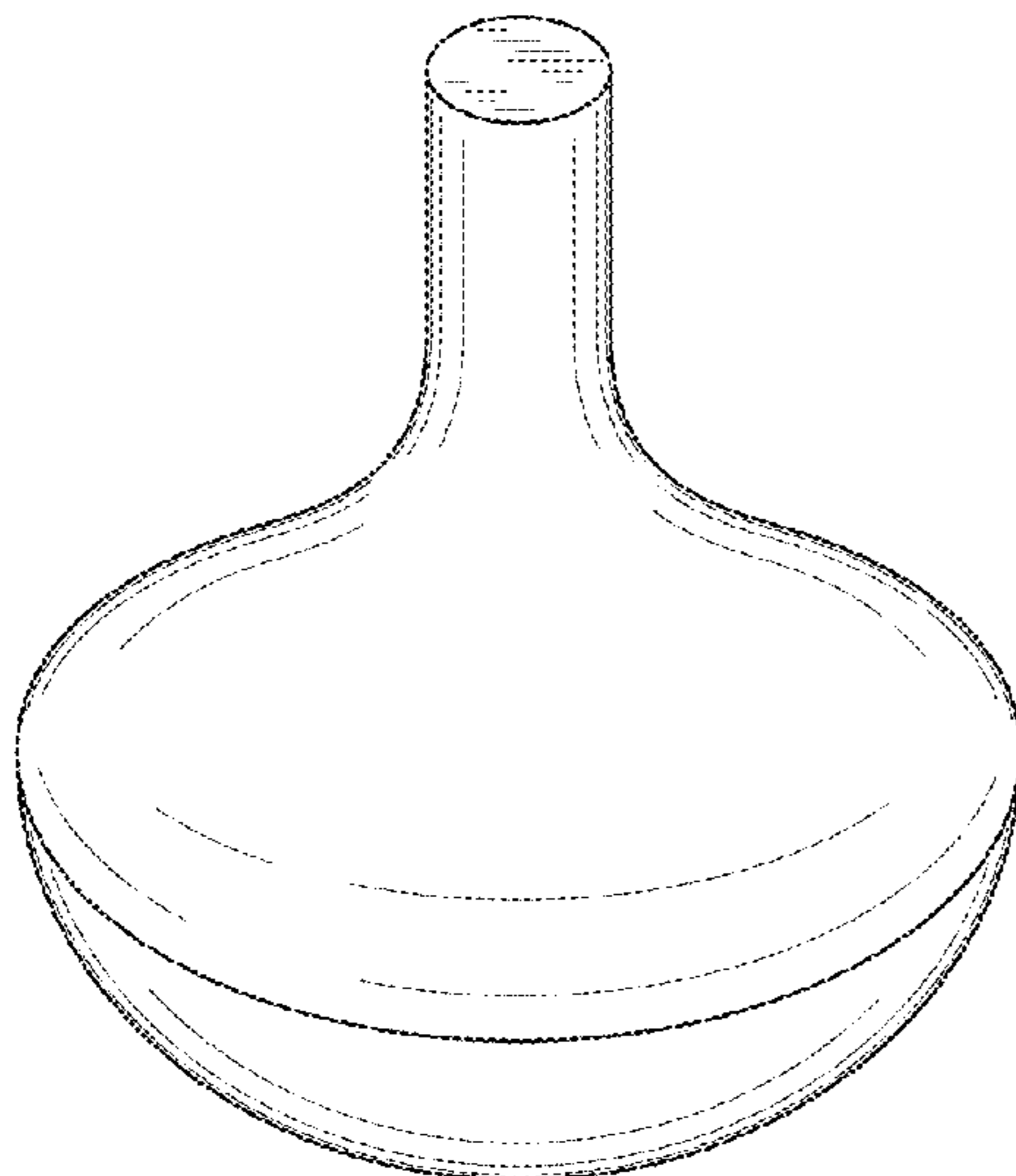
FIG. 1 is a perspective view of a base for pet attractant toys showing our new design;

FIG. 2 is a side view of FIG. 1;

FIG. 3 is a bottom view of FIG. 1; and,

FIG. 4 is a top view of FIG. 1.

1 Claim, 1 Drawing Sheet



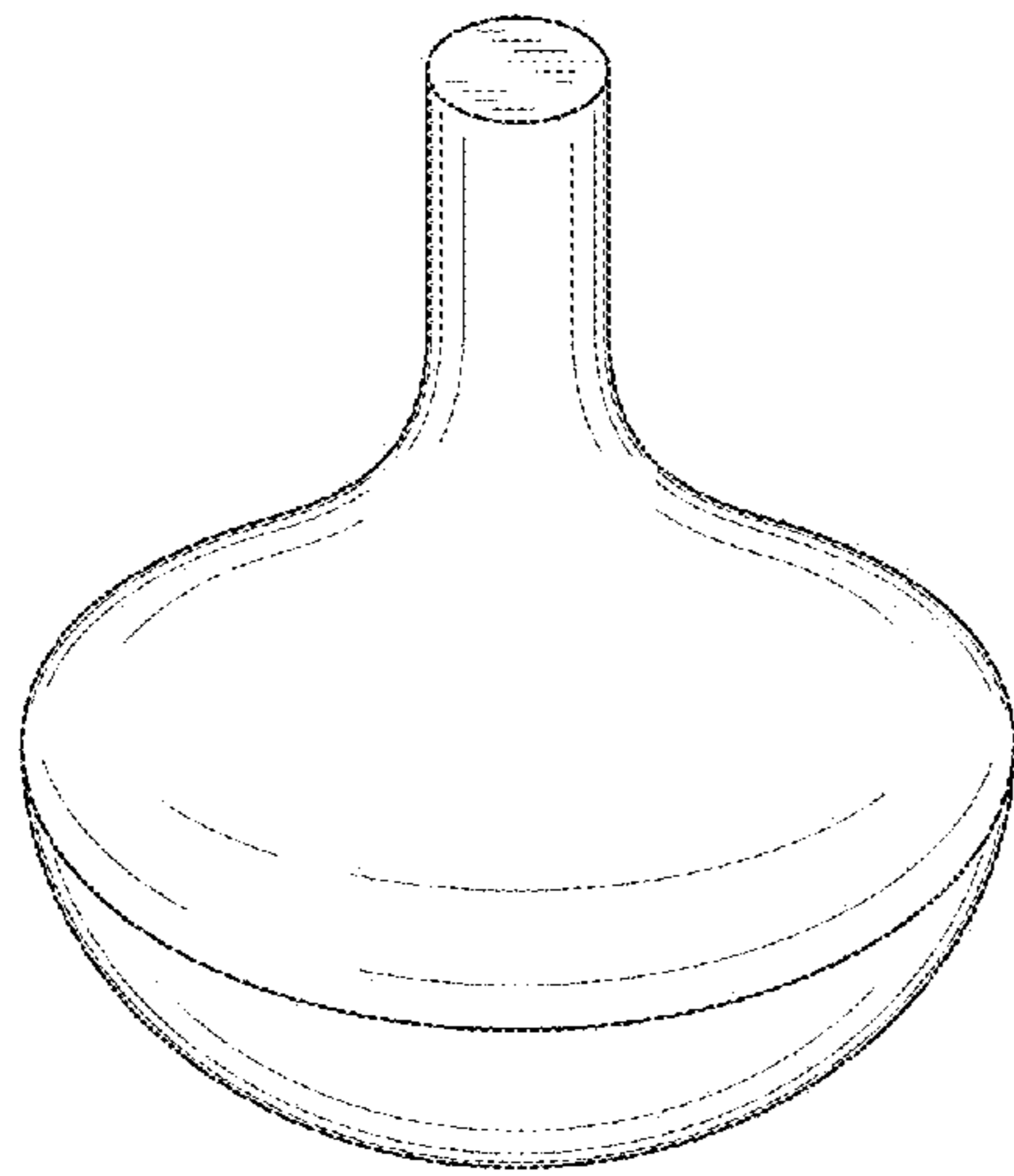


FIG. 1

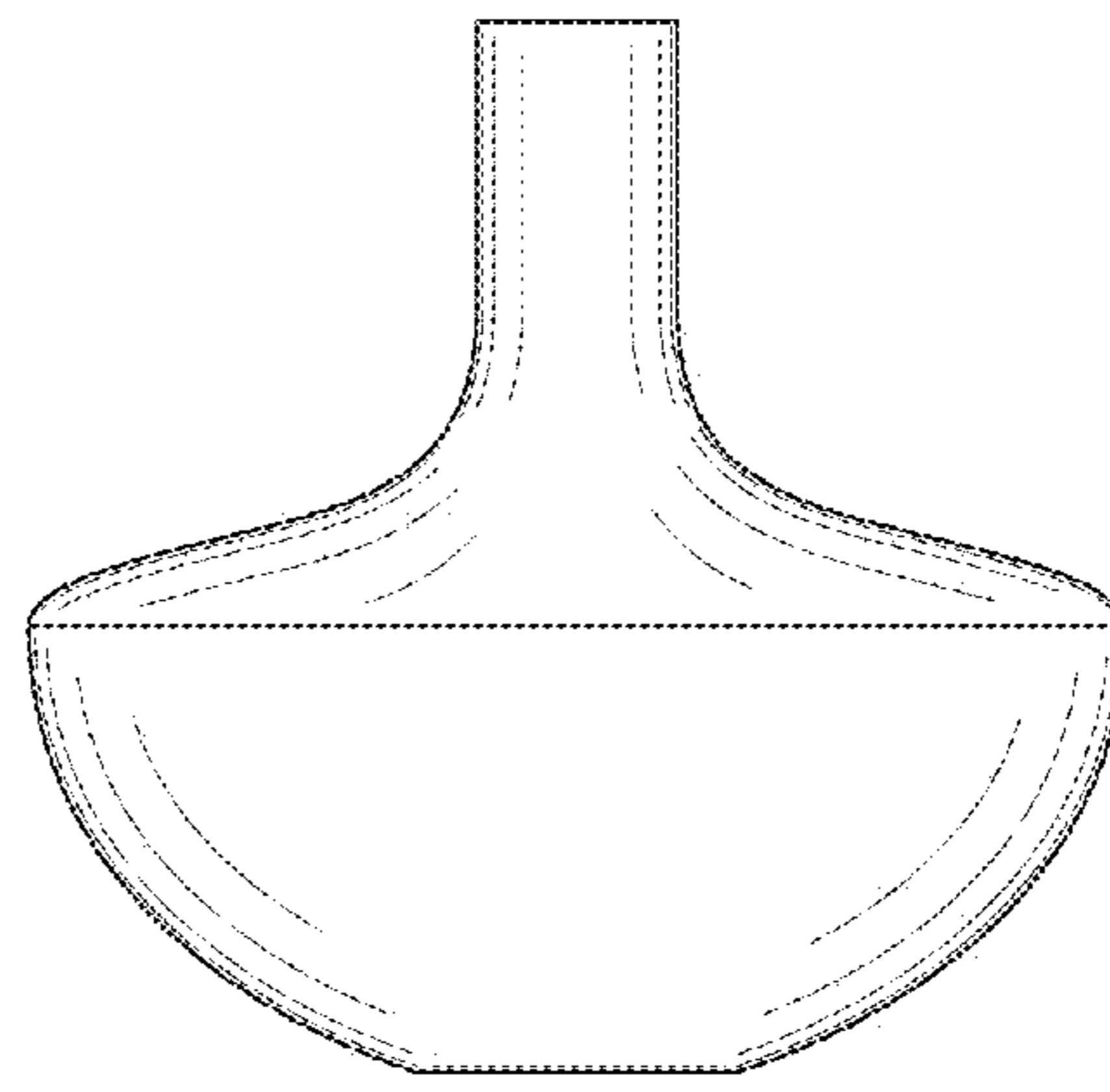


FIG. 2

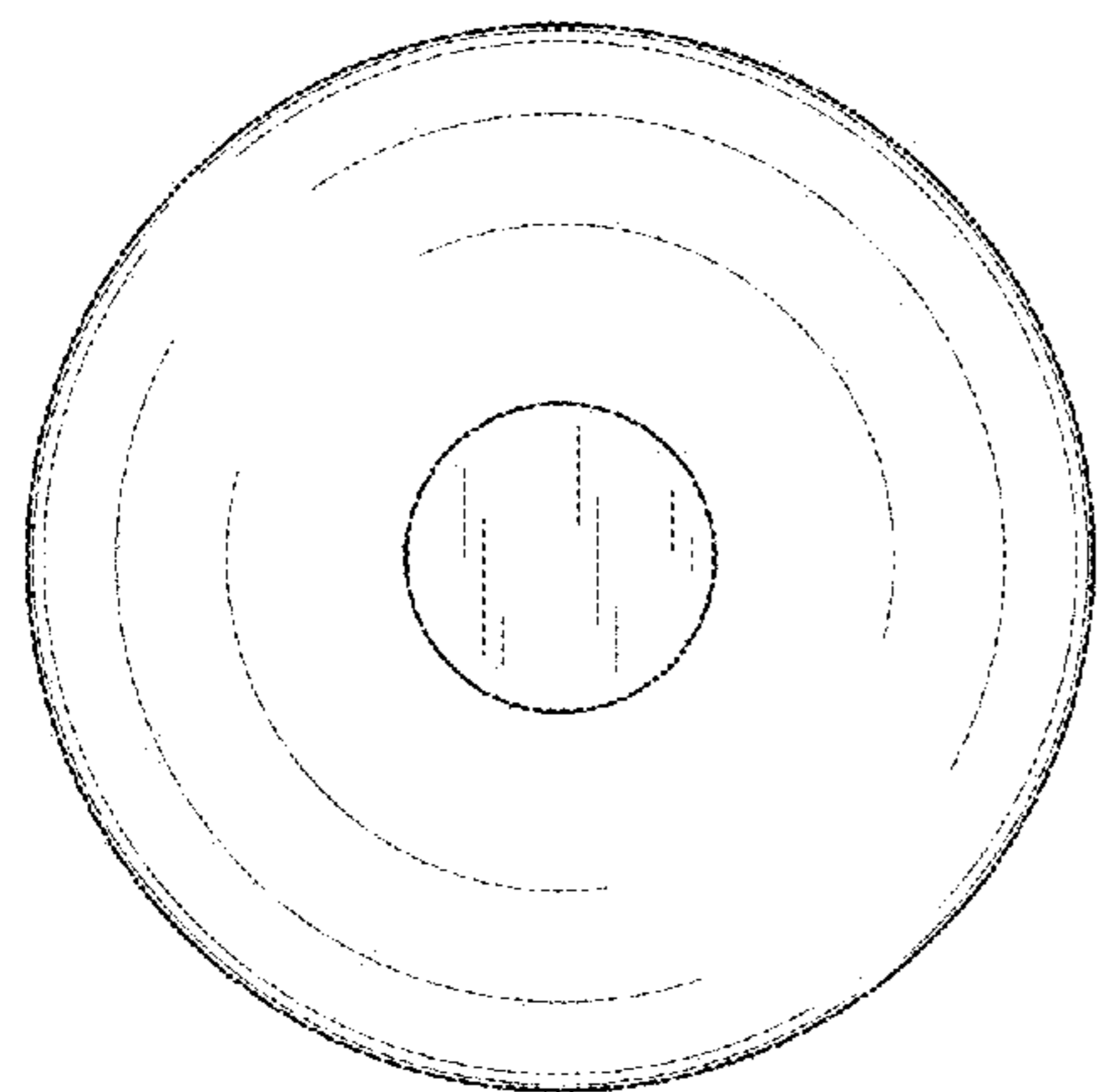


FIG. 3

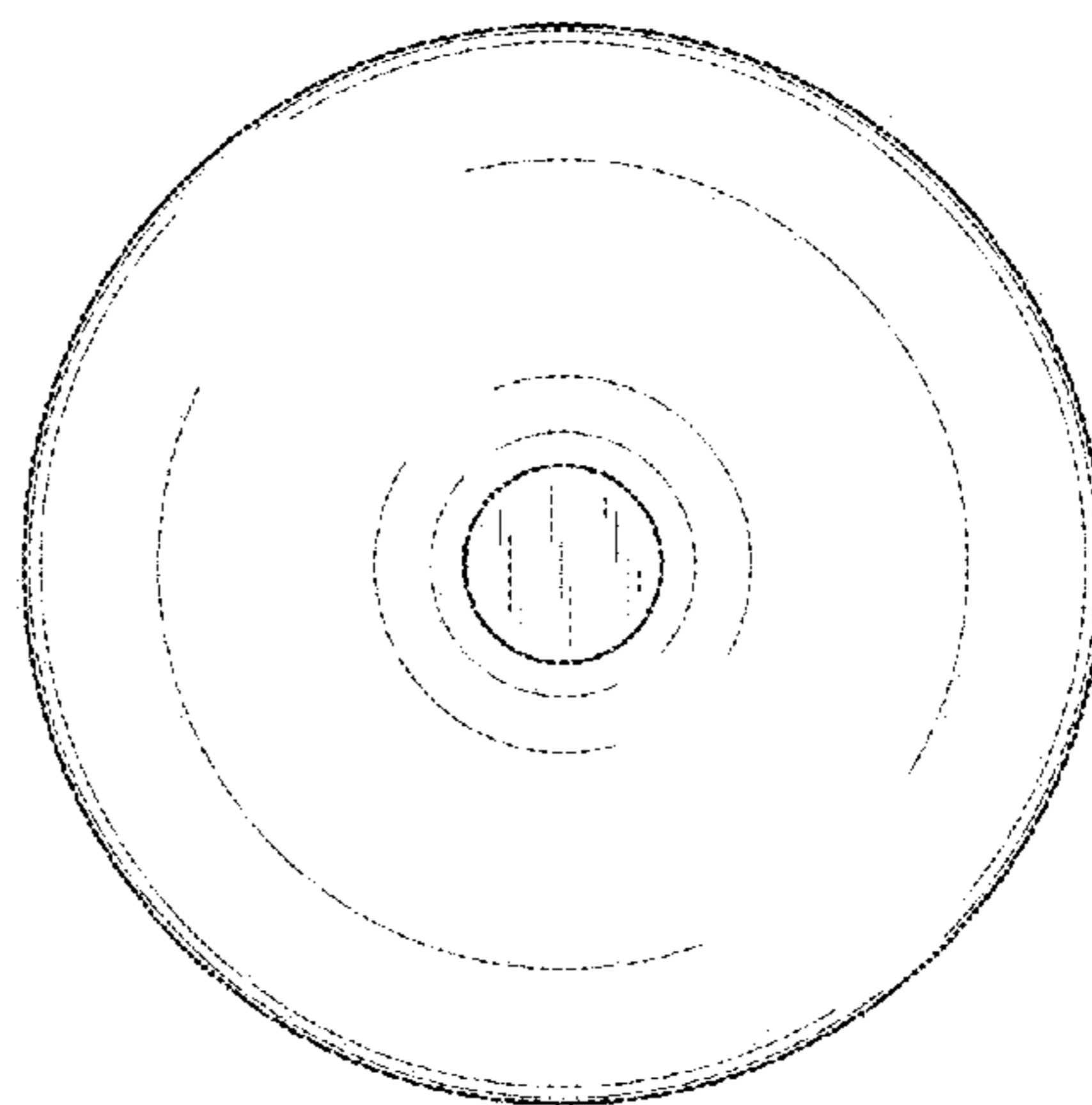


FIG. 4