



US00D741026S

(12) **United States Design Patent**
Bates

(10) **Patent No.:** **US D741,026 S**
(45) **Date of Patent:** **** Oct. 13, 2015**

(54) **REMOVABLE CANTLE PANEL FOR EQUESTRIAN SADDLES**

(71) Applicant: **Hammersmith Nominees Pty Ltd.,**
West Perth (AU)

(72) Inventor: **Ronald Gordon Bates,** West Perth (AU)

(73) Assignee: **Hammersmith Nominees Pty Ltd,** West Perth (AU)

(**) Term: **14 Years**

(21) Appl. No.: **29/485,743**

(22) Filed: **Mar. 21, 2014**

(30) **Foreign Application Priority Data**

Dec. 19, 2013 (AU) 16677/2013

(51) **LOC (10) Cl.** **30-01**

(52) **U.S. Cl.**
USPC **D30/135**

(58) **Field of Classification Search**
USPC D30/134, 135; 54/44.1, 44.2, 44.3, 44.5
CPC B23Q 35/109; B27C 5/003; B68C 1/027;
B68C 1/126

See application file for complete search history.

(56) **References Cited**

U.S. PATENT DOCUMENTS

984,576	A *	2/1911	Love	54/44.7
D228,770	S *	10/1973	Adeney et al.	D30/135
6,035,616	A *	3/2000	Pickett	54/44.5
6,263,647	B1 *	7/2001	Walkley	54/44.1
6,434,916	B1 *	8/2002	Tucker	54/44.5
6,453,652	B1 *	9/2002	Hennig	54/44.1
D485,952	S *	1/2004	Gronberg	D30/135

7,032,366	B1 *	4/2006	Williams	54/66
7,562,514	B2 *	7/2009	Bates	54/44.5
D657,097	S *	4/2012	Bates	D30/134
D658,339	S *	4/2012	Bates	D30/134
D676,616	S *	2/2013	Bates	D30/134
2002/0104294	A1 *	8/2002	Hainline	54/44.5
2004/0182051	A1 *	9/2004	Walker	54/44.3
2005/0011167	A1 *	1/2005	Belton	54/44.1
2006/0053755	A1 *	3/2006	Bates	54/44.6
2006/0080946	A1 *	4/2006	DeCosemo	54/44.1
2011/0271651	A1 *	11/2011	Morgan	54/44.1
2013/0291496	A1 *	11/2013	Vergara	54/44.1

* cited by examiner

Primary Examiner — George D Kirschbaum

Assistant Examiner — Jennifer Watkins

(74) *Attorney, Agent, or Firm* — Seed IP Law Group PLLC

(57) **CLAIM**

The ornamental design for a removable cantle panel for equestrian saddles, as shown and described.

DESCRIPTION

FIG. 1 is a top perspective view showing my new design for a removable cantle panel for equestrian saddles.

FIG. 2 is a bottom perspective view thereof.

FIG. 3 is a top plan view thereof.

FIG. 4 is a bottom plan view thereof.

FIG. 5 is a front elevational view thereof.

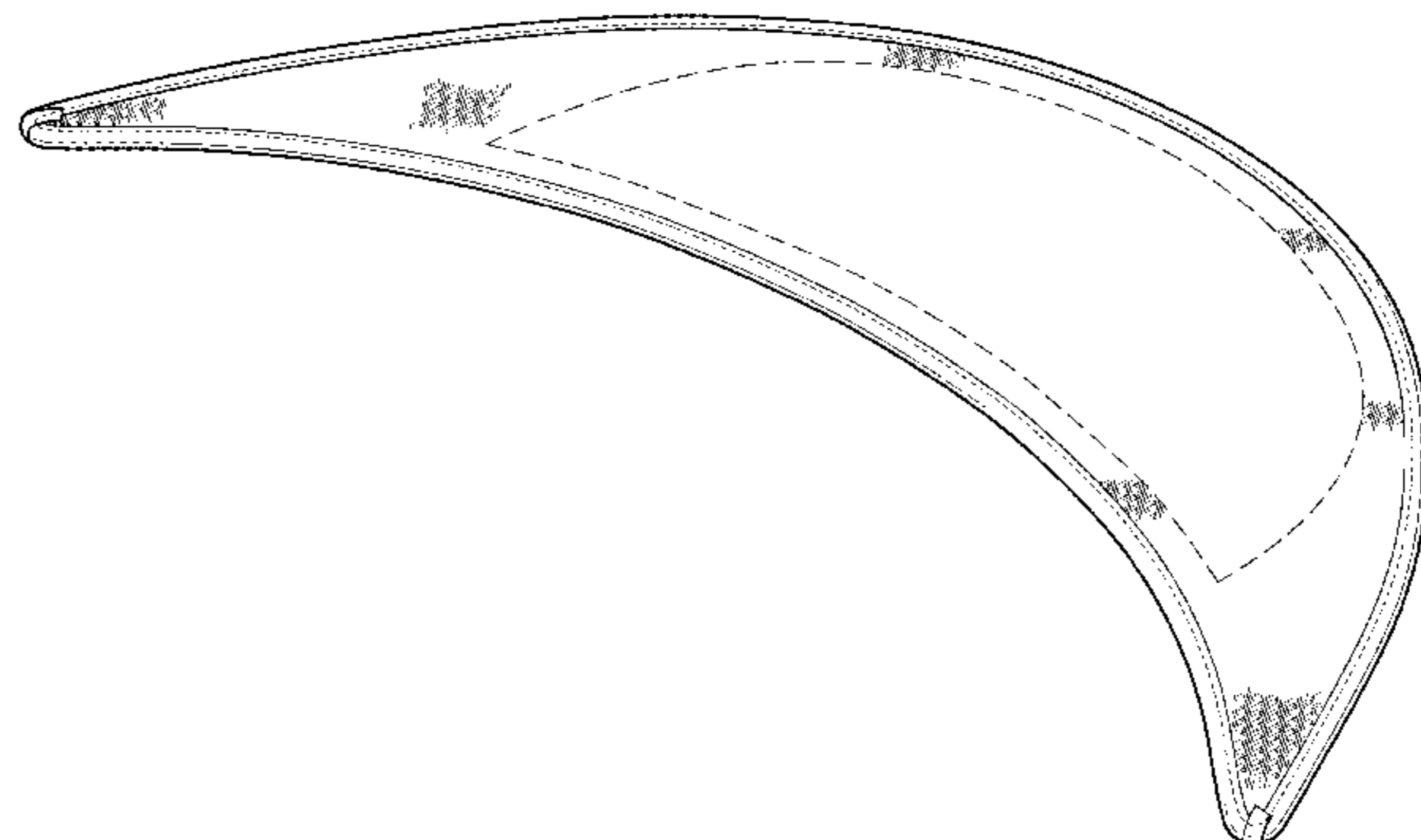
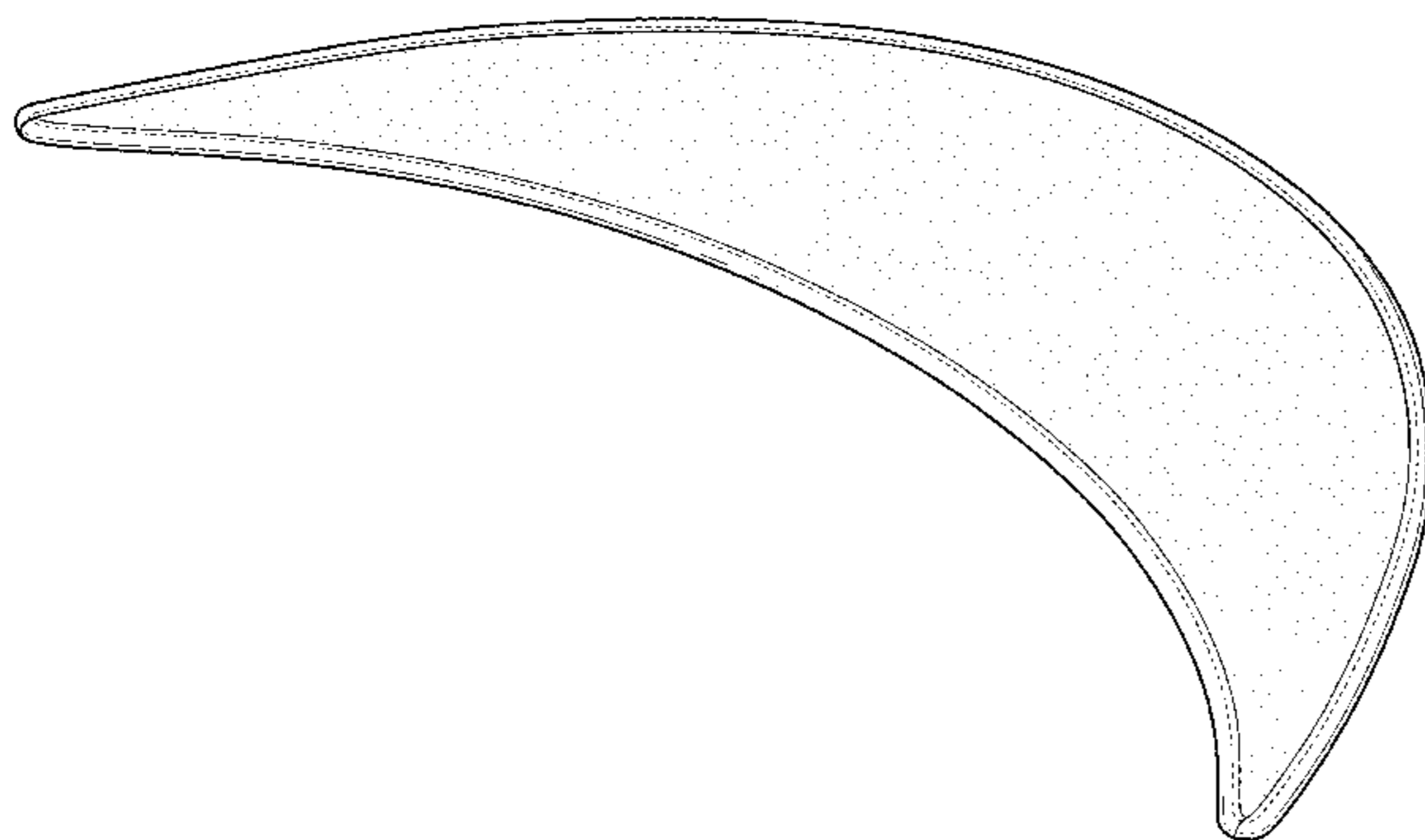
FIG. 6 is a rear elevational view thereof.

FIG. 7 is a left side elevational view thereof; and,

FIG. 8 is a right side elevational view thereof.

The broken lines on the edges of the removable cantle panel for equestrian saddles represent stitching which forms no part of the claim. The broken lines in the center of the panel in FIG. 2 represent portions of the cantle panel for equestrian saddles which form no part of the claim.

1 Claim, 5 Drawing Sheets



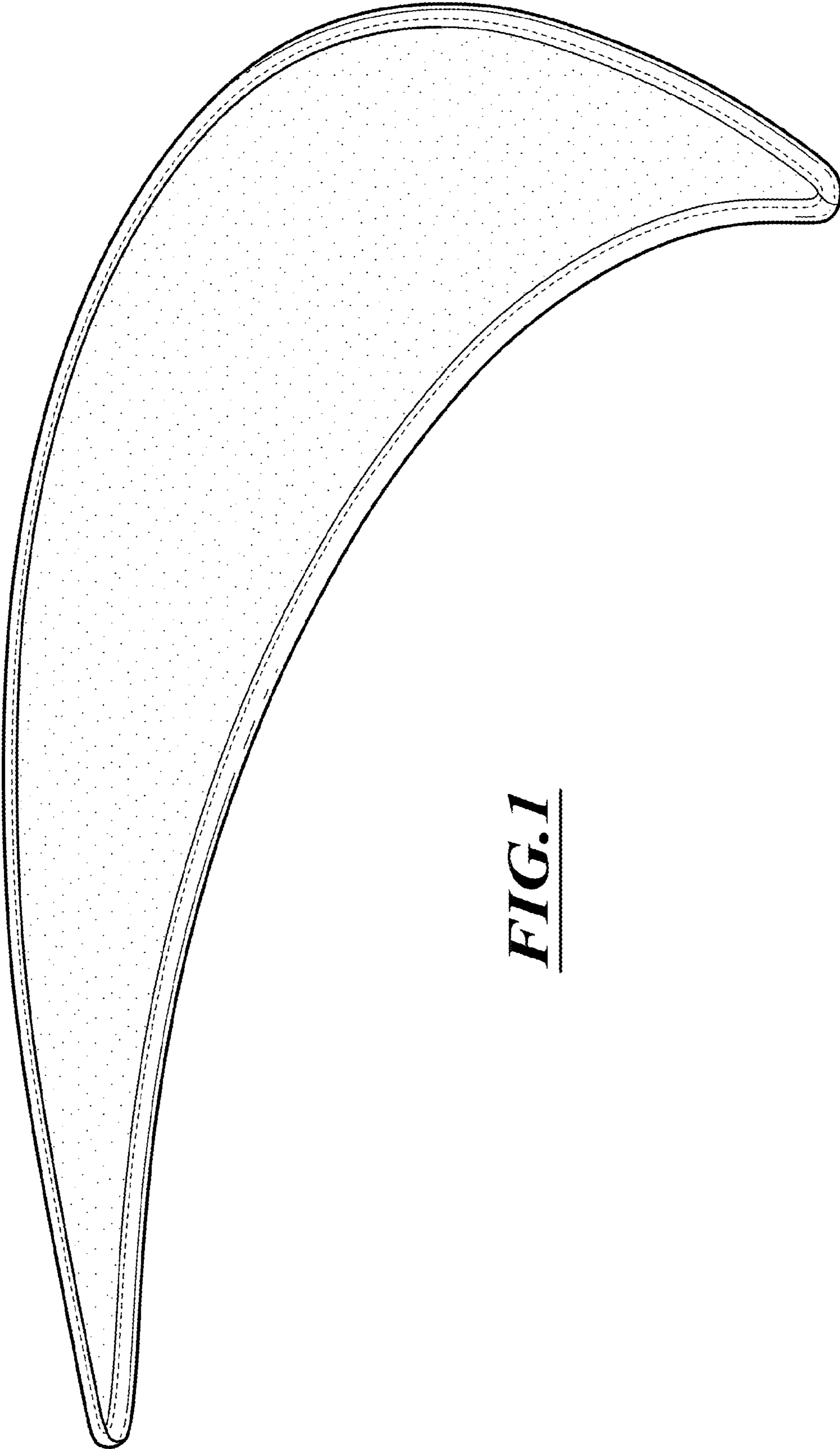


FIG. 1

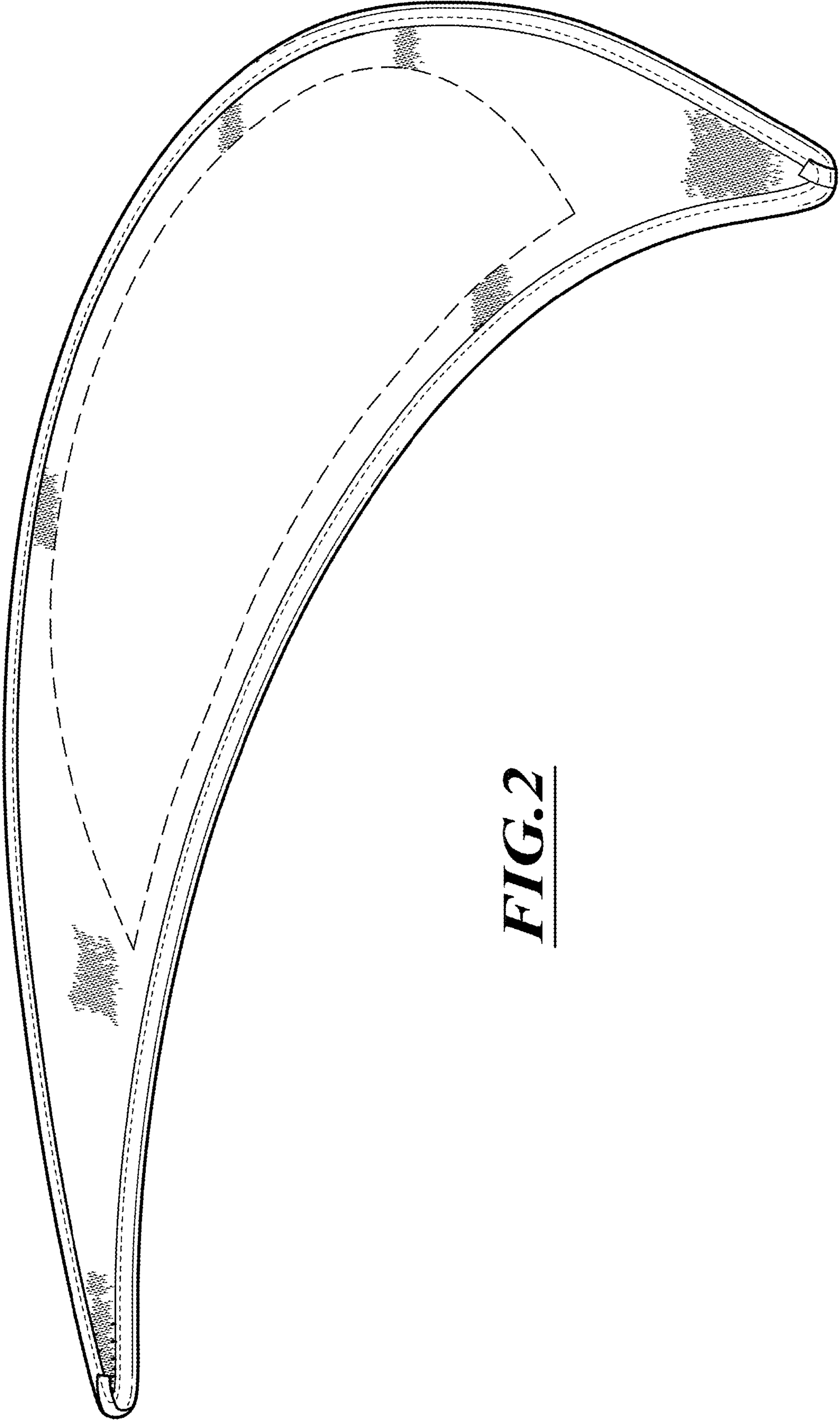


FIG. 2

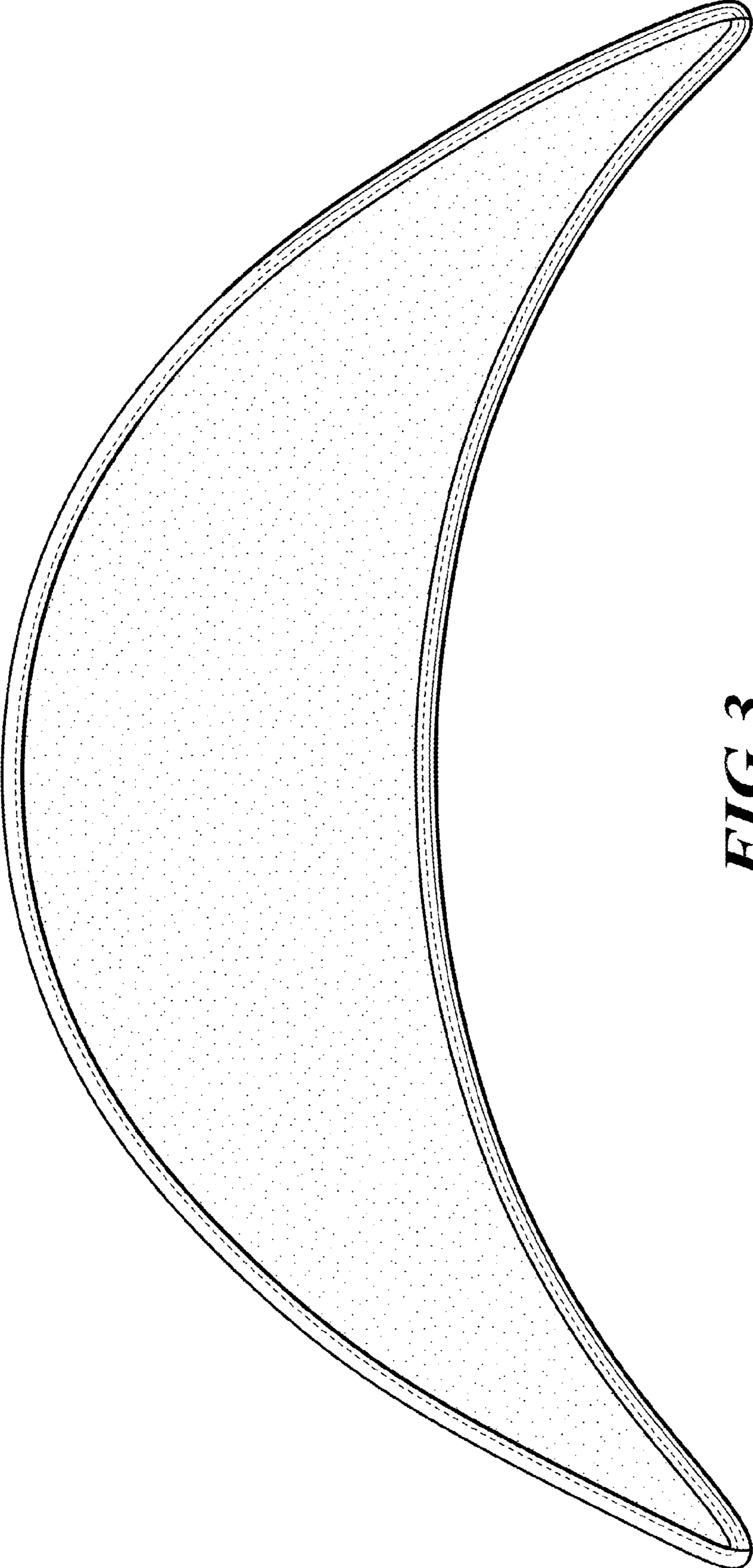


FIG. 3

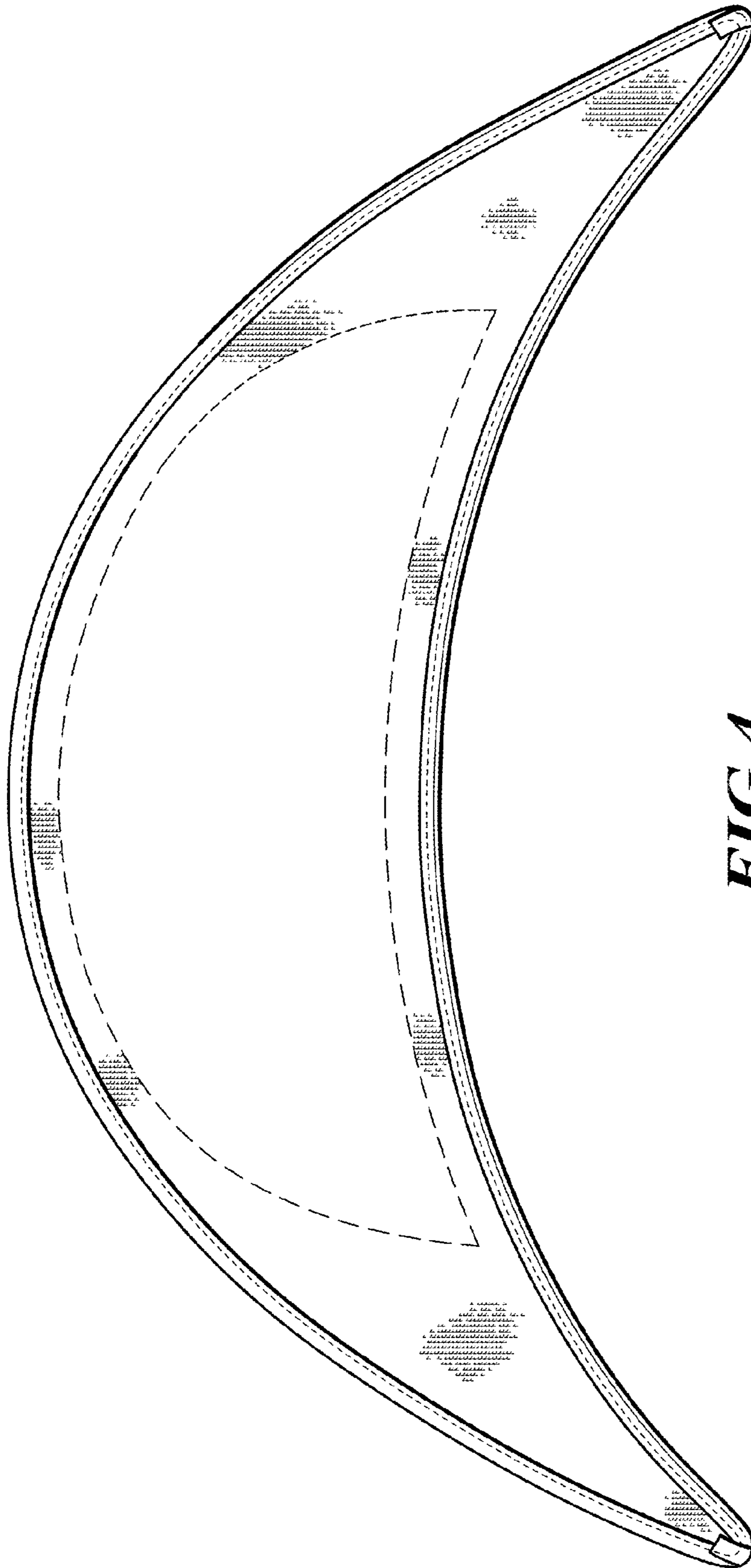


FIG. 4



FIG. 5



FIG. 6



FIG. 7



FIG. 8