



US00D741025S

(12) **United States Design Patent**  
**Ross**

(10) **Patent No.:** **US D741,025 S**  
(45) **Date of Patent:** **\*\* Oct. 13, 2015**

(54) **PORTABLE WATER TRAVEL MUG FOR DOGS**

(71) Applicant: **Gary Ross**, Oxnard, CA (US)

(72) Inventor: **Gary Ross**, Oxnard, CA (US)

(\*\*) Term: **14 Years**

(21) Appl. No.: **29/499,707**

(22) Filed: **Aug. 18, 2014**

(51) **LOC (10) Cl.** ..... **30-03**

(52) **U.S. Cl.**  
USPC ..... **D30/132**; D30/121; D30/129

(58) **Field of Classification Search**

USPC ..... D30/121-133; 119/51.01, 61, 51.04, 119/53, 57.91, 54, 53.5, 52.4, 51.11, 63, 119/61.2, 52.1, 57.5, 57.6, 51.13, 62, 75, 119/500, 501, 72, 72.5, 74, 78-81; 239/7, 239/687, 379, 397.5; 222/199, 181.1, 222/181.2, 185.1, 557, 156, 485, 486, 548, 222/555, 207, 205, 424, 438, 48, 206, 212, 222/215, 460, 461, 525, 86, 89; 220/200, 220/227, 247, 262, 694, 700, 701, 703, 220/660-662, 521, 705, 709, 287, 523, 220/574; 221/174, 185.1, 289, 295, 296, 221/559; 454/35; 209/270, 283, 244; 52/194, 192; 49/279, 344, 357; D34/28; D9/531, 549, 516, 523, 530, D9/538, 541, 544, 559, 719, 716; D7/300, D7/300.1, 302-305, 312, 316, 317, D7/507-512, 523, 524, 528, 700; D3/132  
CPC ..... A01K 7/00; A01K 7/005; A01K 7/02; A01K 7/022; A01K 7/06; A01K 39/0213; A01K 39/02; B65D 41/26; B65D 41/265; B65D 41/28; B65D 41/32; B65D 41/325; B65D 41/34; B65D 41/56; B65D 51/20; B65D 51/249; B65D 51/24; B65D 51/28; B65D 47/243; B65D 2205/04; B65D 21/0238; B65D 81/3205; B65D 81/3216; B65D 71/50; B65D 77/2024; B65D 43/0212; B65D 2517/0049; B65D 2543/00046; B65D

2543/00092; B65D 2543/00537; B65D 2543/00731; B65D 2543/00796; B65D 2577/205; A61J 9/00; A61J 9/006; A61J 9/001; A61J 9/003; A61J 11/04; A61J 19/00; B65B 39/00; B65B 39/001; B65B 39/005; B65B 39/007; B67C 11/02; G01F 11/286; B67B 7/28

See application file for complete search history.

(56) **References Cited**

U.S. PATENT DOCUMENTS

254,760	A *	3/1882	Zeilin	141/381
288,085	A *	11/1883	Malloy	141/381
434,423	A *	8/1890	Burrows	220/603
445,086	A *	1/1891	Scheller	4/258
463,473	A *	11/1891	Beam	141/73
676,924	A *	6/1901	Steiger, Jr.	4/283
790,080	A *	5/1905	Seavy	141/343
964,472	A *	7/1910	Johnson	4/261
988,709	A *	4/1911	Hofer	4/283

(Continued)

*Primary Examiner* — Susan Moon Lee

(74) *Attorney, Agent, or Firm* — Thomas I. Rozsa

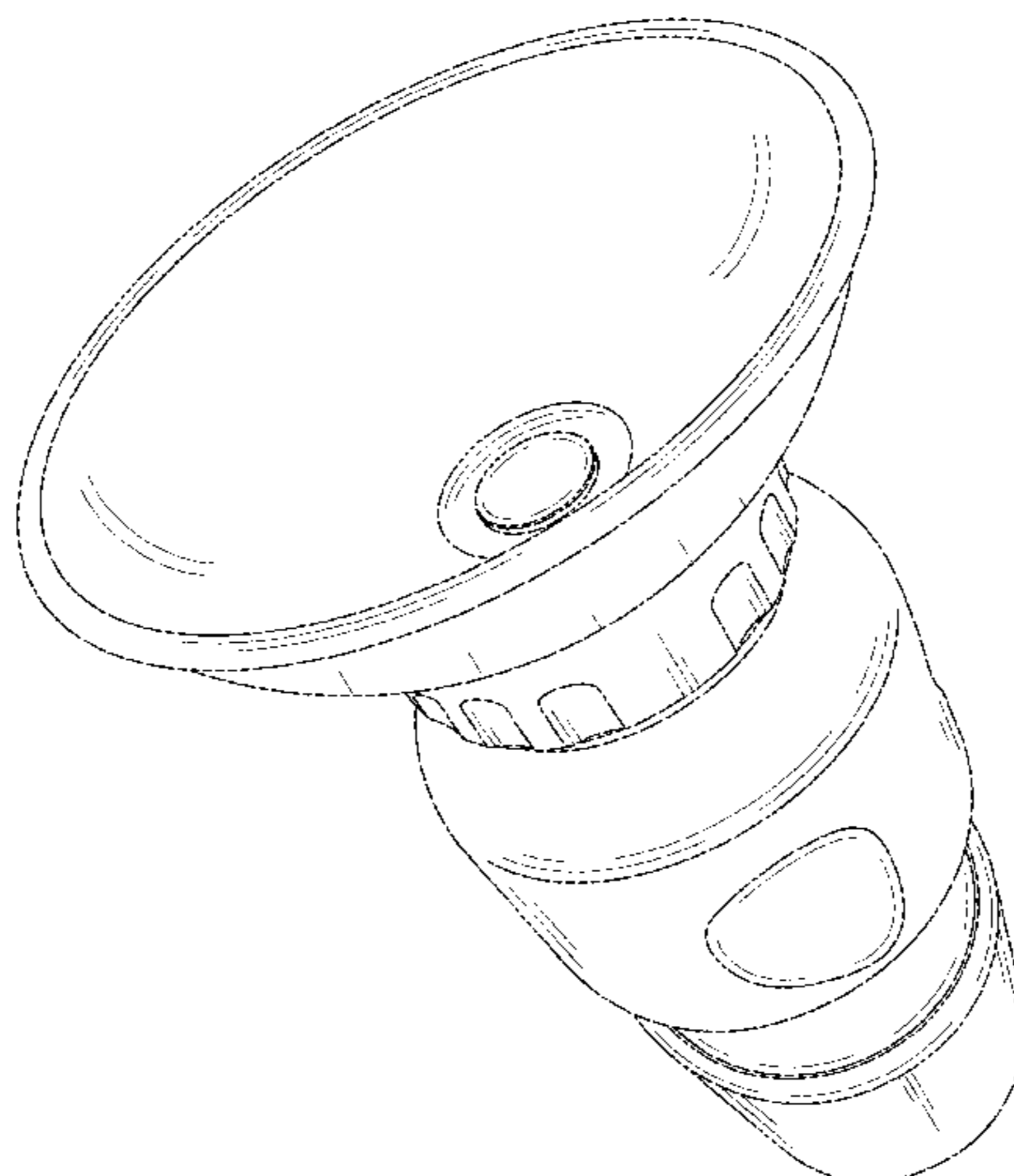
(57) **CLAIM**

The ornamental design for a portable water travel mug for dogs, as shown and described.

**DESCRIPTION**

FIG. 1 is a top-side perspective view of the portable water travel mug for dogs, showing my new design; FIG. 2 is a bottom perspective view thereof; FIG. 3 is a front view thereof; FIG. 4 is a rear view thereof; FIG. 5 is a left side view thereof; and FIG. 6 is a right side view thereof; FIG. 7 is a top view thereof; FIG. 8 is a bottom view thereof; and, FIG. 9 is a front view thereon showing the strap in a recessed area.

**1 Claim, 9 Drawing Sheets**





(56)

## References Cited

## U.S. PATENT DOCUMENTS

- D41,788 S \* 9/1911 Kowalski ..... D34/2  
D41,856 S \* 10/1911 Megyesy ..... D34/2  
1,061,888 A \* 5/1913 Von Der Crone ..... 141/202  
1,104,354 A \* 7/1914 Gentle ..... 141/335  
1,134,837 A \* 4/1915 Fox ..... 210/482  
1,210,397 A \* 1/1917 Bang ..... 4/283  
1,507,185 A \* 9/1924 Jones ..... 4/262  
D98,763 S \* 3/1936 Guild ..... D7/300.1  
2,107,309 A \* 2/1938 Smith ..... 215/228  
D147,113 S \* 7/1947 Cravaritis ..... D7/300.1  
2,440,783 A \* 5/1948 Peart ..... 131/236  
2,543,427 A \* 2/1951 Warne ..... 141/381  
D168,344 S \* 12/1952 Goldman ..... D7/300.1  
2,782,614 A \* 2/1957 Currie ..... 220/718  
2,802,609 A \* 8/1957 Donovan ..... 222/570  
2,827,194 A \* 3/1958 Matton ..... 215/227  
2,838,202 A \* 6/1958 Huether ..... 220/741  
2,881,952 A \* 4/1959 Dungey ..... 222/86  
3,103,297 A \* 9/1963 Taft ..... 220/718  
3,185,341 A \* 5/1965 Barbour ..... 220/718  
3,191,645 A \* 6/1965 Dailey ..... 141/381  
3,241,724 A \* 3/1966 Lerner ..... 222/146.3  
3,246,807 A \* 4/1966 Micallef ..... 222/207  
3,381,838 A \* 5/1968 McClain et al. .... 215/228  
3,413,128 A \* 11/1968 Steinbarth et al. .... 426/115  
D218,979 S \* 10/1970 Kofford ..... D30/132  
3,581,953 A \* 6/1971 Donoghue ..... 222/207  
D222,800 S \* 1/1972 Donoghue ..... D9/688  
3,705,668 A \* 12/1972 Schwartzman ..... 222/207  
D226,573 S \* 3/1973 Casad ..... D7/515  
D227,556 S \* 7/1973 Bagguley ..... D9/776  
3,910,618 A \* 10/1975 Massenz ..... 294/1.2  
3,921,860 A \* 11/1975 Zackheim ..... 222/207  
4,054,205 A \* 10/1977 Blow et al. .... 206/217  
D248,448 S \* 7/1978 McClure et al. .... D24/115  
4,106,673 A \* 8/1978 Donoghue ..... 222/207  
4,307,682 A \* 12/1981 Bollman ..... 119/75  
D263,715 S \* 4/1982 Walter ..... D15/199  
D267,461 S \* 1/1983 Crisman et al. .... D7/507  
D271,215 S \* 11/1983 Hinkle ..... D19/66  
4,416,381 A \* 11/1983 Swartwout ..... 215/228  
4,474,312 A \* 10/1984 Donoghue ..... 222/205  
D289,937 S \* 5/1987 Cleveland, Jr. .... D34/39  
4,715,510 A \* 12/1987 van der Meulen et al. ... 220/718  
D300,477 S \* 3/1989 Terbush ..... D30/130  
4,823,848 A \* 4/1989 Sentmore et al. .... 141/334  
4,830,226 A \* 5/1989 Kong ..... 222/205  
4,951,839 A \* 8/1990 Kong ..... 222/47  
4,984,723 A \* 1/1991 Hsu ..... 224/148.4  
5,037,406 A \* 8/1991 Smith et al. .... 604/301  
5,070,817 A \* 12/1991 Momont ..... 119/75  
5,080,149 A \* 1/1992 Peoples ..... 141/337  
D324,973 S \* 3/1992 Slagerman ..... D7/507  
D325,497 S \* 4/1992 Albertson ..... D23/200  
5,140,711 A \* 8/1992 Johnson ..... 4/258  
5,246,139 A \* 9/1993 Duceppe ..... 222/1  
D350,481 S \* 9/1994 DeLury ..... D9/436  
D350,672 S \* 9/1994 Egger et al. .... D7/510  
D351,313 S \* 10/1994 Giard, Jr. .... D7/510  
D359,654 S \* 6/1995 Westgerdes ..... D7/511  
5,465,835 A \* 11/1995 Schumacher et al. .... 206/221  
5,477,895 A \* 12/1995 Willard ..... 141/22  
5,479,970 A \* 1/1996 Trani ..... 141/297  
D367,206 S \* 2/1996 Green ..... D7/510  
5,573,131 A \* 11/1996 Berjis ..... 220/4.03  
5,685,352 A \* 11/1997 Faught ..... 141/331  
5,706,980 A \* 1/1998 Dickerson ..... 222/129  
5,732,851 A \* 3/1998 Griffin et al. .... 220/737  
5,762,120 A \* 6/1998 Smith ..... 141/340  
D397,911 S \* 9/1998 Waldmann ..... D7/507  
5,809,935 A \* 9/1998 Kolterman et al. .... 119/74  
D400,316 S \* 10/1998 Kolterman et al. .... D30/132  
D412,120 S \* 7/1999 Payne et al. .... D9/540  
5,921,296 A \* 7/1999 Porter et al. .... 141/340  
5,960,742 A \* 10/1999 O'Rourke et al. .... 119/74  
D416,195 S \* 11/1999 Faughey et al. .... D9/719  
5,992,702 A \* 11/1999 Shapiro ..... 222/205  
D421,158 S \* 2/2000 Thomson ..... D30/121  
D432,915 S \* 10/2000 Smith ..... D9/436  
6,126,024 A \* 10/2000 Ramirez et al. .... 215/12.1  
6,209,737 B1 \* 4/2001 Bliss ..... 215/228  
6,223,792 B1 \* 5/2001 Slagle ..... 141/331  
6,330,960 B1 \* 12/2001 Faughey et al. .... 222/205  
6,338,417 B1 \* 1/2002 Ferraro ..... 220/23.83  
6,354,190 B1 \* 3/2002 Haydon ..... 99/323  
6,394,681 B1 \* 5/2002 Moore ..... 401/218  
6,405,675 B1 \* 6/2002 Mills ..... 119/74  
6,425,424 B1 \* 7/2002 Ellis Calvo et al. .... 141/331  
D464,849 S \* 10/2002 Norris et al. .... D7/523  
6,474,494 B1 \* 11/2002 Miller ..... 220/379  
6,539,991 B1 \* 4/2003 Ackerman ..... 141/331  
D482,933 S \* 12/2003 Norris et al. .... D7/533  
6,702,138 B1 \* 3/2004 Bielecki et al. .... 220/254.9  
6,706,297 B1 \* 3/2004 Toth et al. .... 426/120  
6,901,976 B1 \* 6/2005 Bautista et al. .... 141/340  
6,935,389 B1 \* 8/2005 Rinaldi ..... 141/337  
D509,408 S \* 9/2005 Ward et al. .... D7/523  
6,981,469 B1 \* 1/2006 Welbourne ..... 119/75  
D515,357 S \* 2/2006 Ward et al. .... D7/510  
D515,359 S \* 2/2006 Andrews ..... D7/524  
D515,869 S \* 2/2006 Mills et al. .... D7/510  
D518,722 S \* 4/2006 Corbett et al. .... D9/500  
7,055,717 B1 \* 6/2006 Koh ..... 221/294  
D530,980 S \* 10/2006 Zerillo et al. .... D7/509  
7,118,004 B1 \* 10/2006 Rossetti ..... 220/575  
7,165,510 B2 \* 1/2007 Hakes ..... 119/664  
D538,981 S \* 3/2007 Skowronski ..... D30/132  
D539,092 S \* 3/2007 Norris et al. .... D7/531  
D540,119 S \* 4/2007 Lapsker ..... D7/510  
D540,124 S \* 4/2007 Ross ..... D7/608  
7,217,434 B1 \* 5/2007 Loh et al. .... 426/115  
D544,301 S \* 6/2007 Tien ..... D7/510  
D546,126 S \* 7/2007 Bhavnani ..... D7/532  
D556,594 S \* 12/2007 Webb ..... D9/556  
D560,435 S \* 1/2008 Meehan ..... D7/510  
D562,091 S \* 2/2008 Ben Shlomo et al. .... D7/700  
D563,723 S \* 3/2008 Gluck ..... D7/396.2  
7,341,754 B1 \* 3/2008 Loh et al. .... 426/115  
D566,468 S \* 4/2008 Sandy ..... D7/510  
D566,472 S \* 4/2008 Kramer ..... D7/532  
D569,187 S \* 5/2008 Sandberg ..... D7/523  
D571,153 S \* 6/2008 Lopez ..... D7/511  
D572,531 S \* 7/2008 Romandy et al. .... D7/510  
D575,107 S \* 8/2008 Martin ..... D7/515  
D576,848 S \* 9/2008 Williams ..... D7/700  
7,455,656 B2 \* 11/2008 Langelier et al. .... 604/78  
7,490,719 B2 \* 2/2009 Parker ..... 206/219  
7,549,395 B2 \* 6/2009 Stenberg ..... 119/74  
D596,486 S \* 7/2009 Pearsall ..... D9/434  
D599,621 S \* 9/2009 Poindexter et al. .... D7/536  
D600,071 S \* 9/2009 Carreno ..... D7/509  
D603,220 S \* 11/2009 Ghiorghie ..... D7/523  
7,690,521 B1 \* 4/2010 Herrera ..... 215/11.1  
D616,705 S \* 6/2010 DuBois ..... D7/510  
7,762,437 B2 \* 7/2010 Holcomb et al. .... 222/469  
7,779,787 B2 \* 8/2010 Welbourne ..... 119/78  
D623,460 S \* 9/2010 Krasner ..... D7/300.1  
7,878,365 B1 \* 2/2011 Meehan ..... 220/737  
D640,095 S \* 6/2011 Dettloff et al. .... D7/510  
D641,255 S \* 7/2011 Williams ..... D9/719  
D644,064 S \* 8/2011 DuBois ..... D7/507  
D647,369 S \* 10/2011 Bryman et al. .... D7/507  
D653,493 S \* 2/2012 Enghard ..... D7/300.1  
D654,320 S \* 2/2012 McClellan et al. .... D7/525  
D654,752 S \* 2/2012 Krasner ..... D7/300.1  
8,109,399 B1 \* 2/2012 Sheffield et al. .... 215/386  
D656,361 S \* 3/2012 Gilbert ..... D7/536  
D658,944 S \* 5/2012 Gilbert et al. .... D7/511  
D660,649 S \* 5/2012 McClellan et al. .... D7/525  
8,172,103 B2 \* 5/2012 Spyros et al. .... 220/23.86  
8,196,622 B1 \* 6/2012 Fisher ..... 141/384  
D663,592 S \* 7/2012 Bridges et al. .... D7/700  
D670,141 S \* 11/2012 Cetera ..... D7/691  
D670,142 S \* 11/2012 Cetera ..... D7/691



(56)

References Cited

U.S. PATENT DOCUMENTS

D670,143	S *	11/2012	Cetera	.....	D7/691
D671,166	S *	11/2012	Papenfuß	.....	D19/104
D671,786	S *	12/2012	Lin	.....	D7/300.1
D676,292	S *	2/2013	Cetera	.....	D7/700
D676,293	S *	2/2013	Cetera	.....	D7/700
D677,132	S *	3/2013	Cetera	.....	D7/700
D680,827	S *	4/2013	Cetera	.....	D7/700
8,459,493	B2 *	6/2013	Suarez et al.	.....	220/705
D686,040	S *	7/2013	Lane	.....	D7/608
8,485,378	B2 *	7/2013	Zoss et al.	.....	220/23.86
D687,301	S *	8/2013	Topinka et al.	.....	D9/500
D689,332	S *	9/2013	Krasner	.....	D7/510
D694,403	S *	11/2013	Lensch	.....	D24/120
8,590,730	B2 *	11/2013	Buck	.....	220/709
8,596,480	B2 *	12/2013	Arjomand	.....	220/4.01
8,689,987	B2 *	4/2014	Lewis	.....	215/211
D704,383	S *	5/2014	Edlin	.....	D30/121
D705,501	S *	5/2014	Li	.....	D30/132
D706,582	S *	6/2014	Oas	.....	D7/510
D708,919	S *	7/2014	Lin	.....	D7/700
8,807,083	B1 *	8/2014	Ross	.....	119/72
8,807,372	B2 *	8/2014	Kao	.....	220/287
D719,409	S *	12/2014	Wampold	.....	D7/524
D719,414	S *	12/2014	Hester	.....	D7/700
8,939,312	B1 *	1/2015	Buck	.....	220/521
D723,871	S *	3/2015	Khubani et al.	.....	D7/505
8,973,776	B1 *	3/2015	Buck	.....	220/522
D729,583	S *	5/2015	Lapsker	.....	D7/510
9,038,845	B1 *	5/2015	Buck	.....	220/521
2003/0178433	A1 *	9/2003	Adams	.....	220/703
2003/0197020	A1 *	10/2003	Murakami et al.	.....	220/739
2004/0262252	A1 *	12/2004	Hammer	.....	215/228
2004/0262323	A1 *	12/2004	Cha	.....	220/709
2006/0273087	A1 *	12/2006	Crawford	.....	220/212
2007/0017450	A1 *	1/2007	Hurwitz	.....	119/74
2007/0017451	A1 *	1/2007	Hurwitz	.....	119/74
2007/0017452	A1 *	1/2007	Hurwitz et al.	.....	119/74
2007/0079762	A1 *	4/2007	Stephanos	.....	119/74
2008/0011710	A1 *	1/2008	Cohn	.....	215/329
2008/0087224	A1 *	4/2008	Wechsler	.....	119/52.1
2008/0115732	A1 *	5/2008	Stenberg	.....	119/74
2009/0065377	A1 *	3/2009	Olomi et al.	.....	206/217
2009/0107582	A1 *	4/2009	Sayage	.....	141/340
2010/0313817	A1 *	12/2010	Krasner	.....	119/72.5
2010/0314418	A1 *	12/2010	Roth et al.	.....	222/205
2011/0210126	A1 *	9/2011	Vovan	.....	220/574
2011/0284537	A1 *	11/2011	Cerasani	.....	220/212
2011/0303678	A1 *	12/2011	Zomorodi et al.	.....	220/574
2011/0309093	A1 *	12/2011	Buck	.....	220/711
2012/0248116	A1 *	10/2012	Smyers et al.	.....	220/324
2012/0298045	A1 *	11/2012	Wechsler	.....	119/52.1
2013/0068772	A1 *	3/2013	Durdon et al.	.....	220/521
2013/0228486	A1 *	9/2013	Buck	.....	206/459.1
2014/0147559	A1 *	5/2014	Aidan	.....	426/115
2014/0175103	A1 *	6/2014	Oh	.....	220/600
2015/0090738	A1 *	4/2015	Caporale	.....	222/205

\* cited by examiner

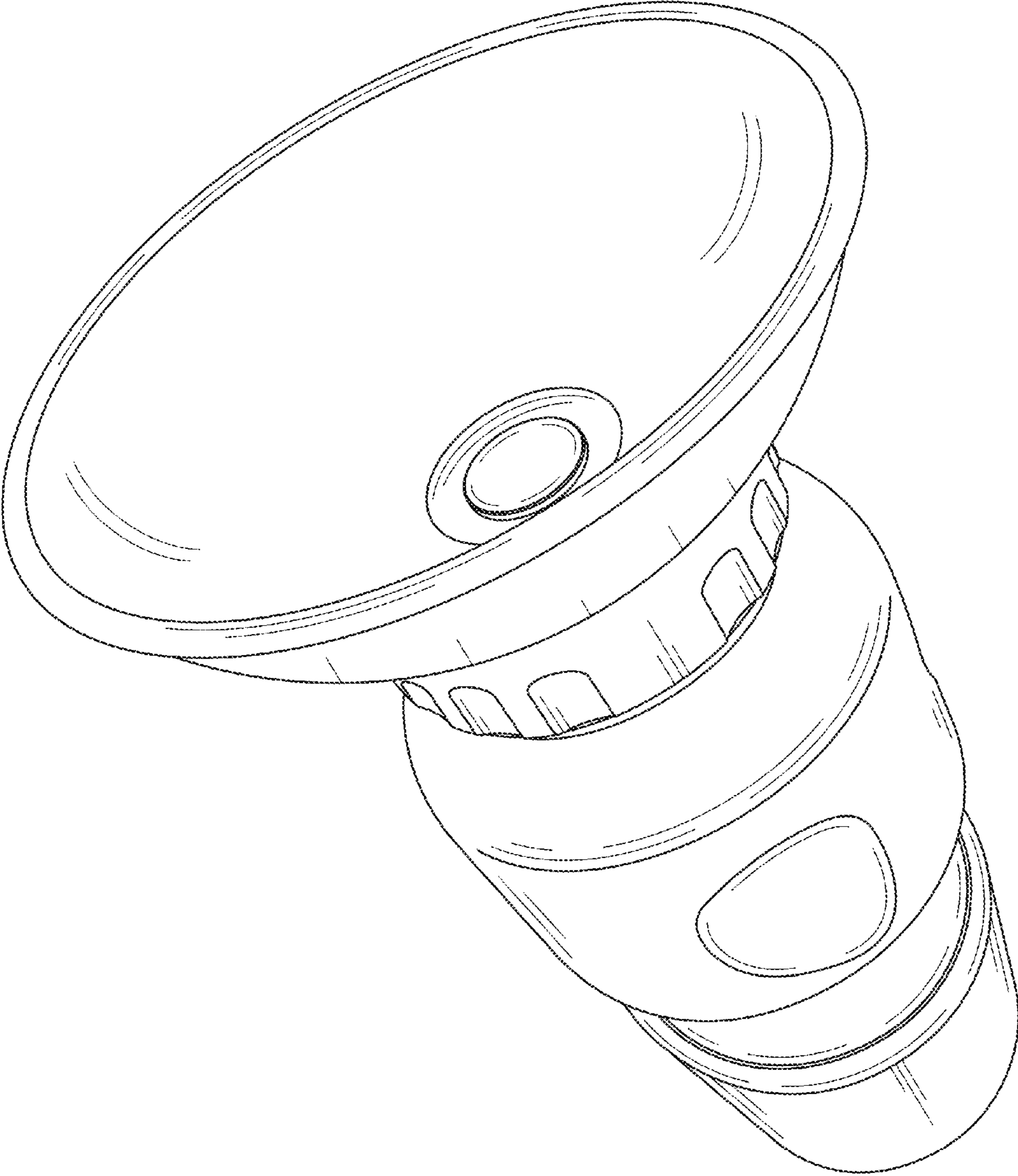


FIG. 1

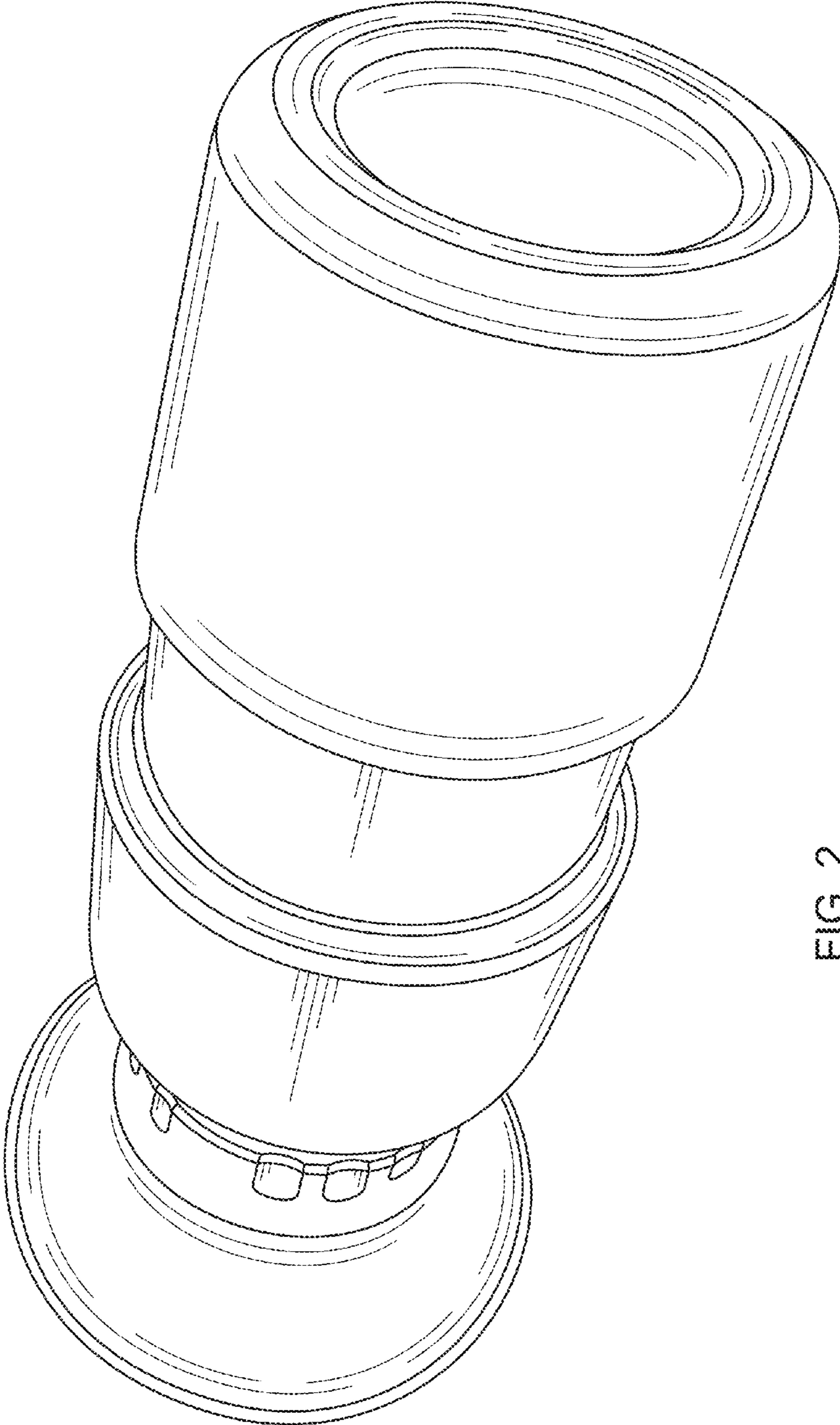


FIG. 2

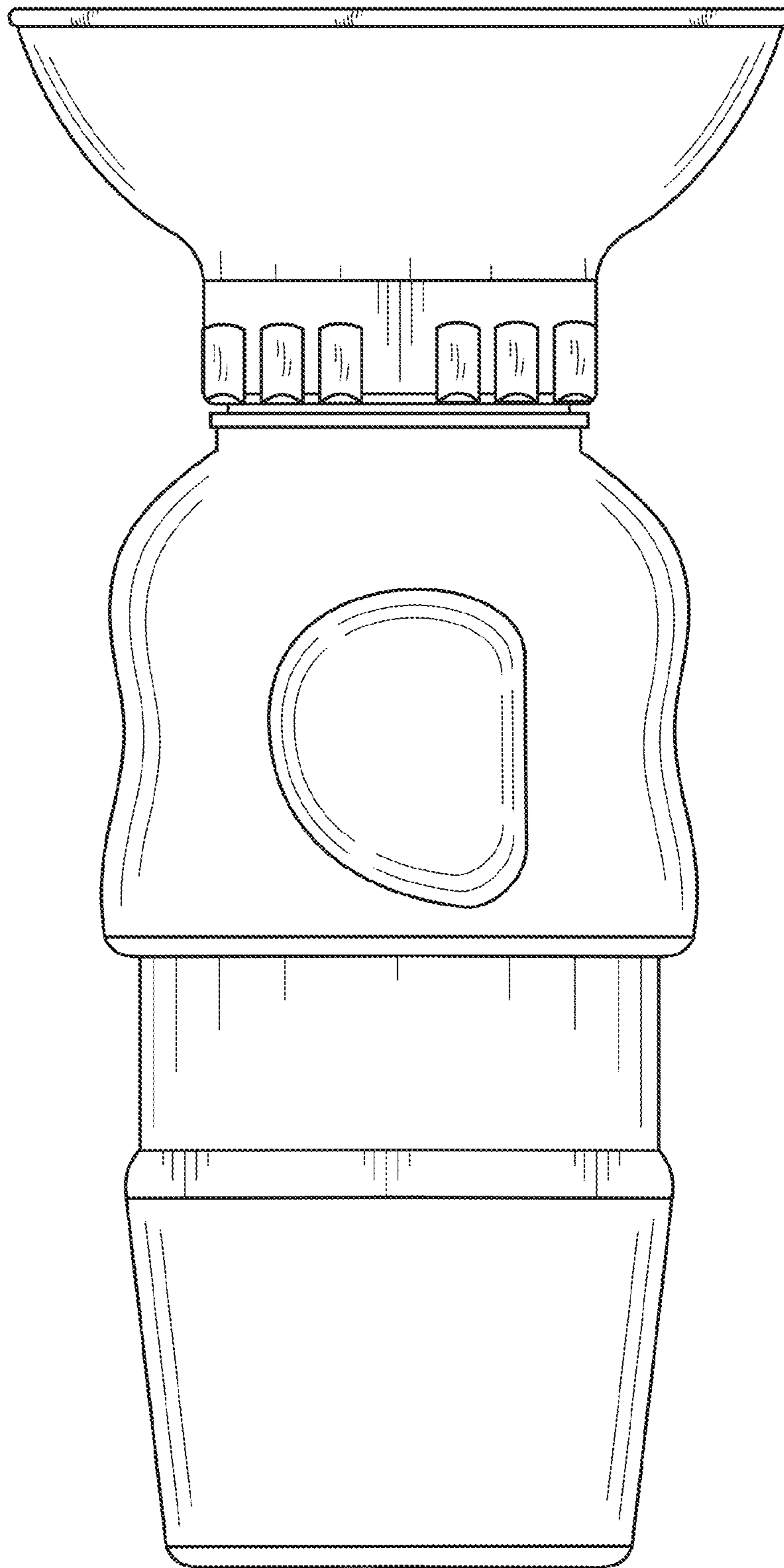


FIG. 3

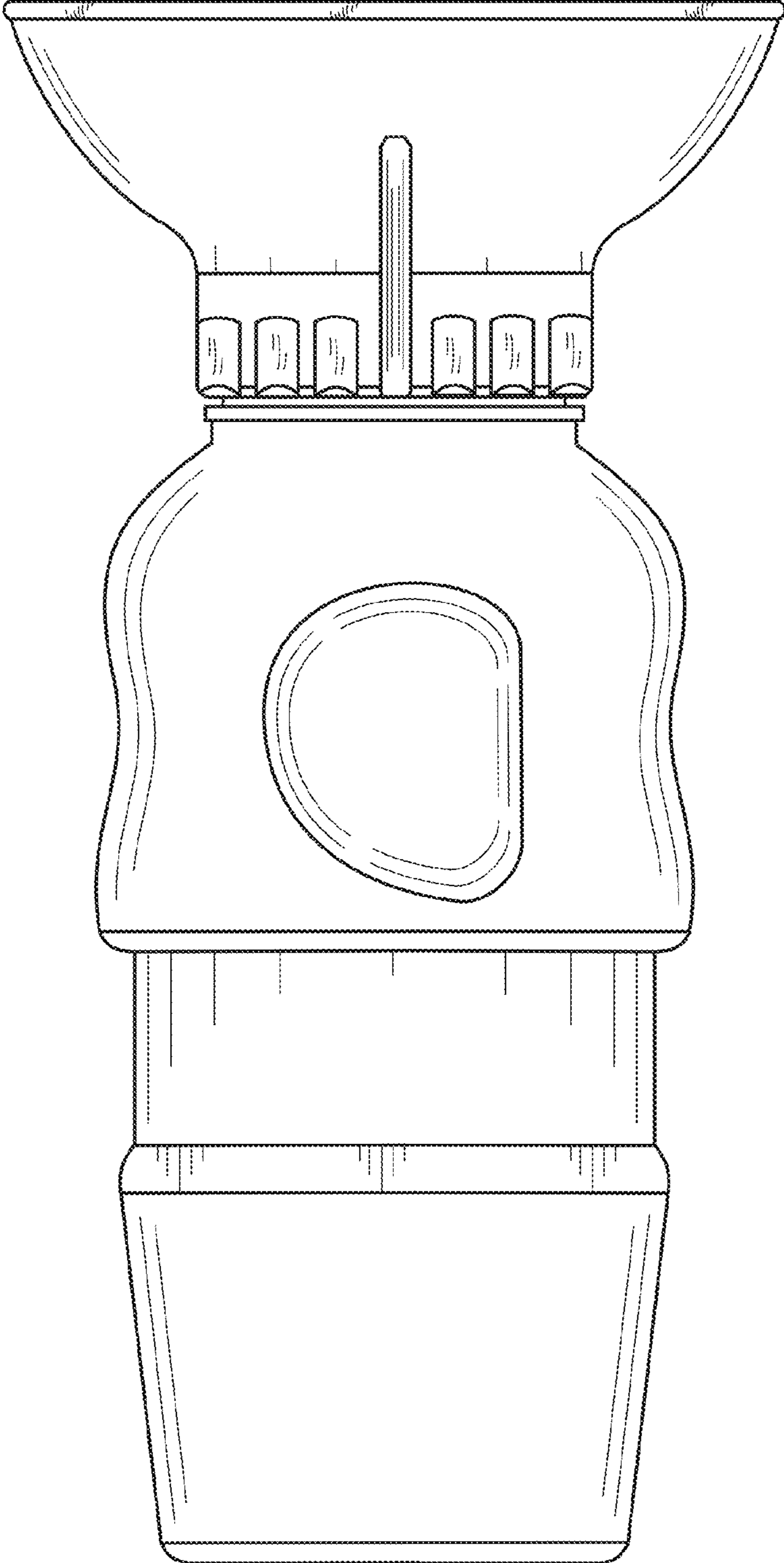


FIG. 4



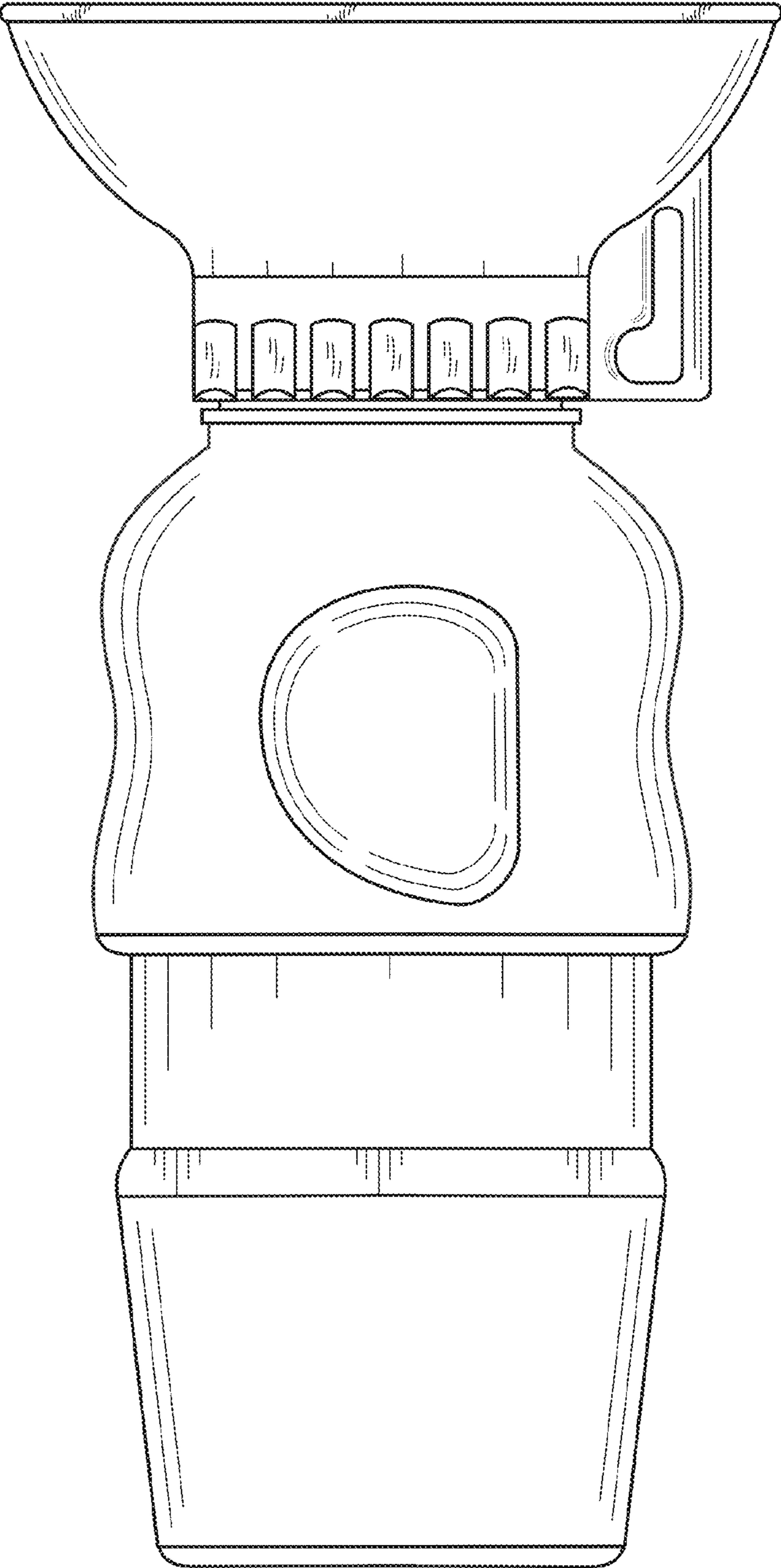


FIG. 5



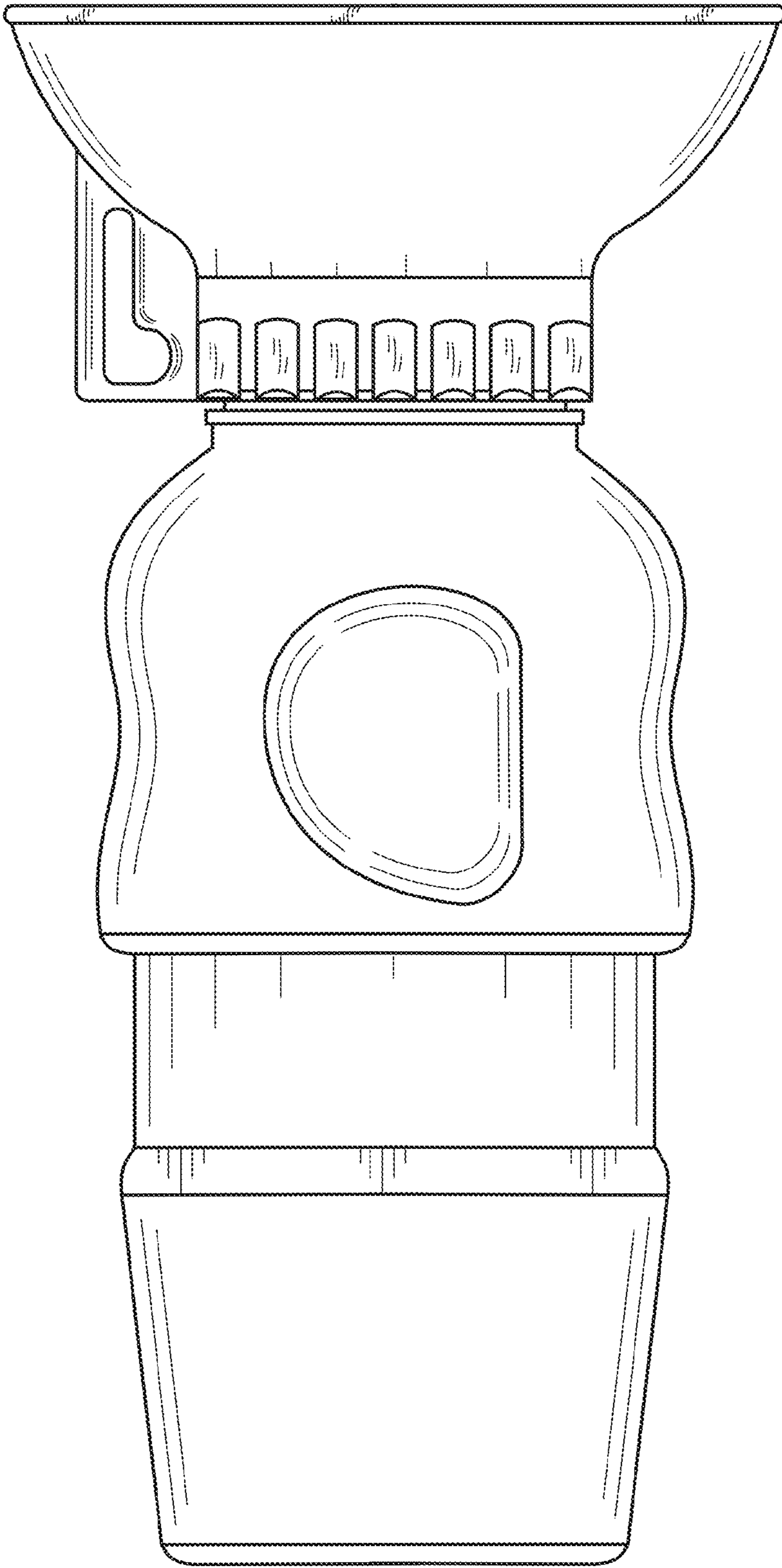


FIG. 6

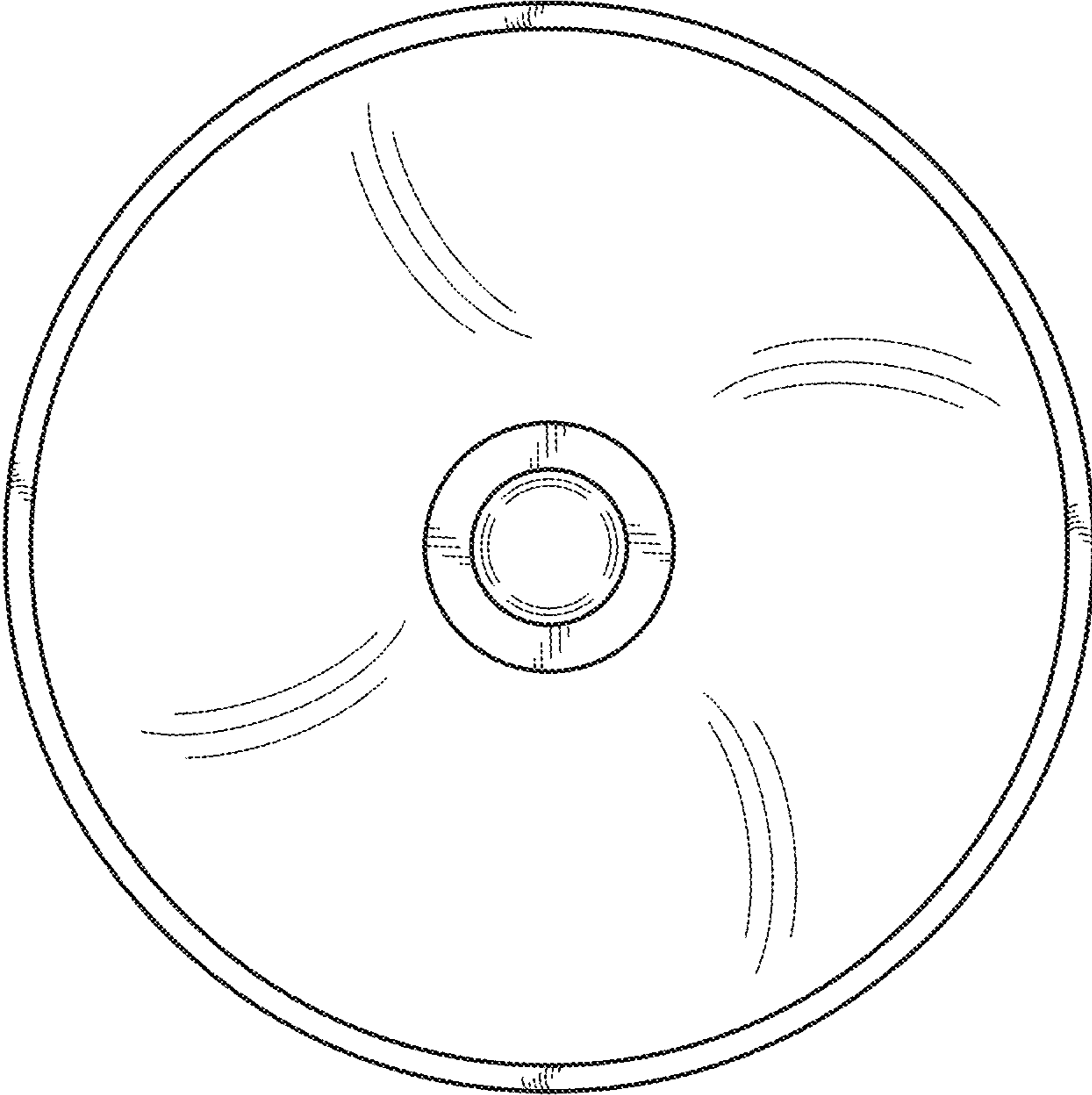


FIG. 7

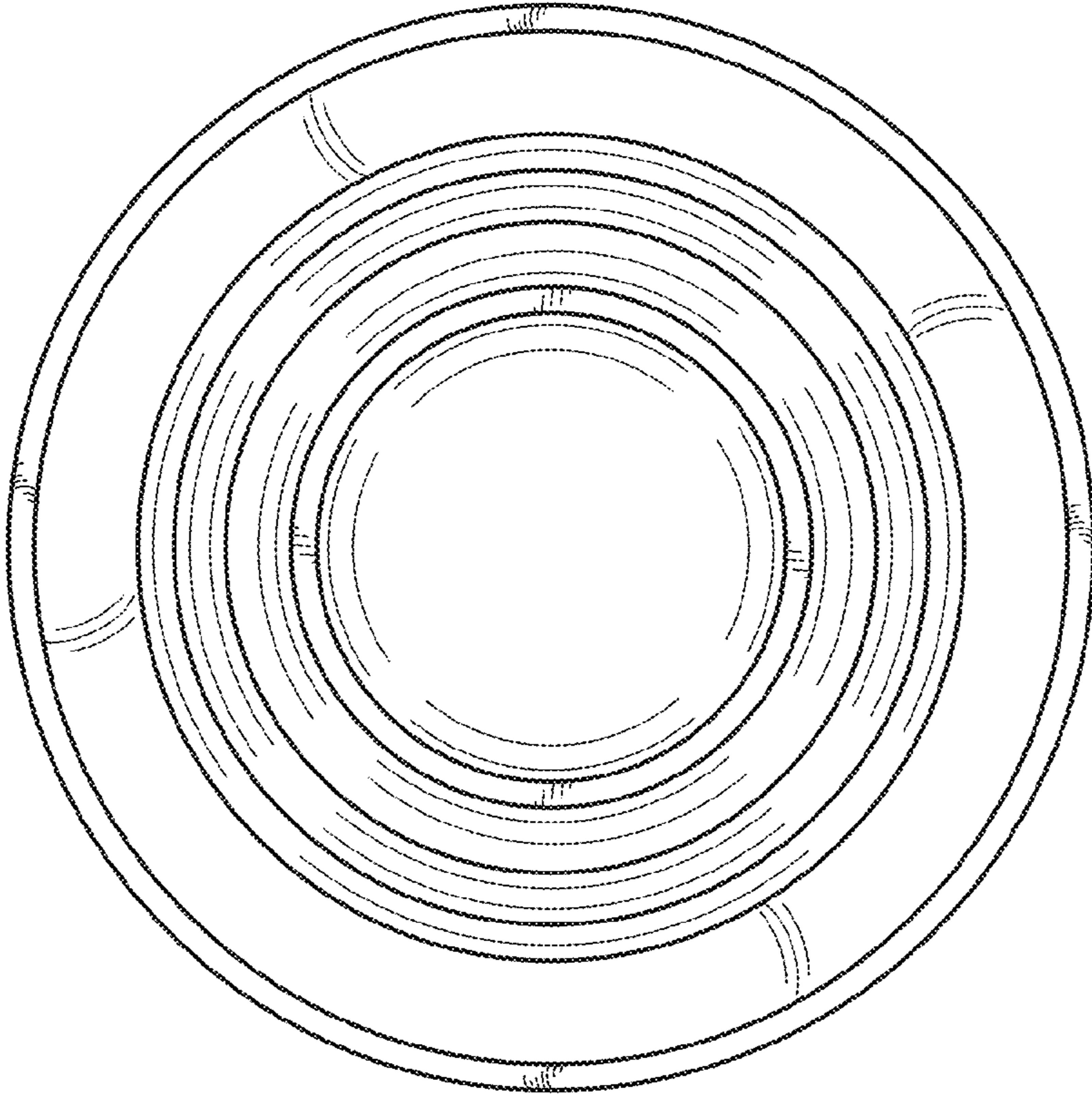


FIG. 8



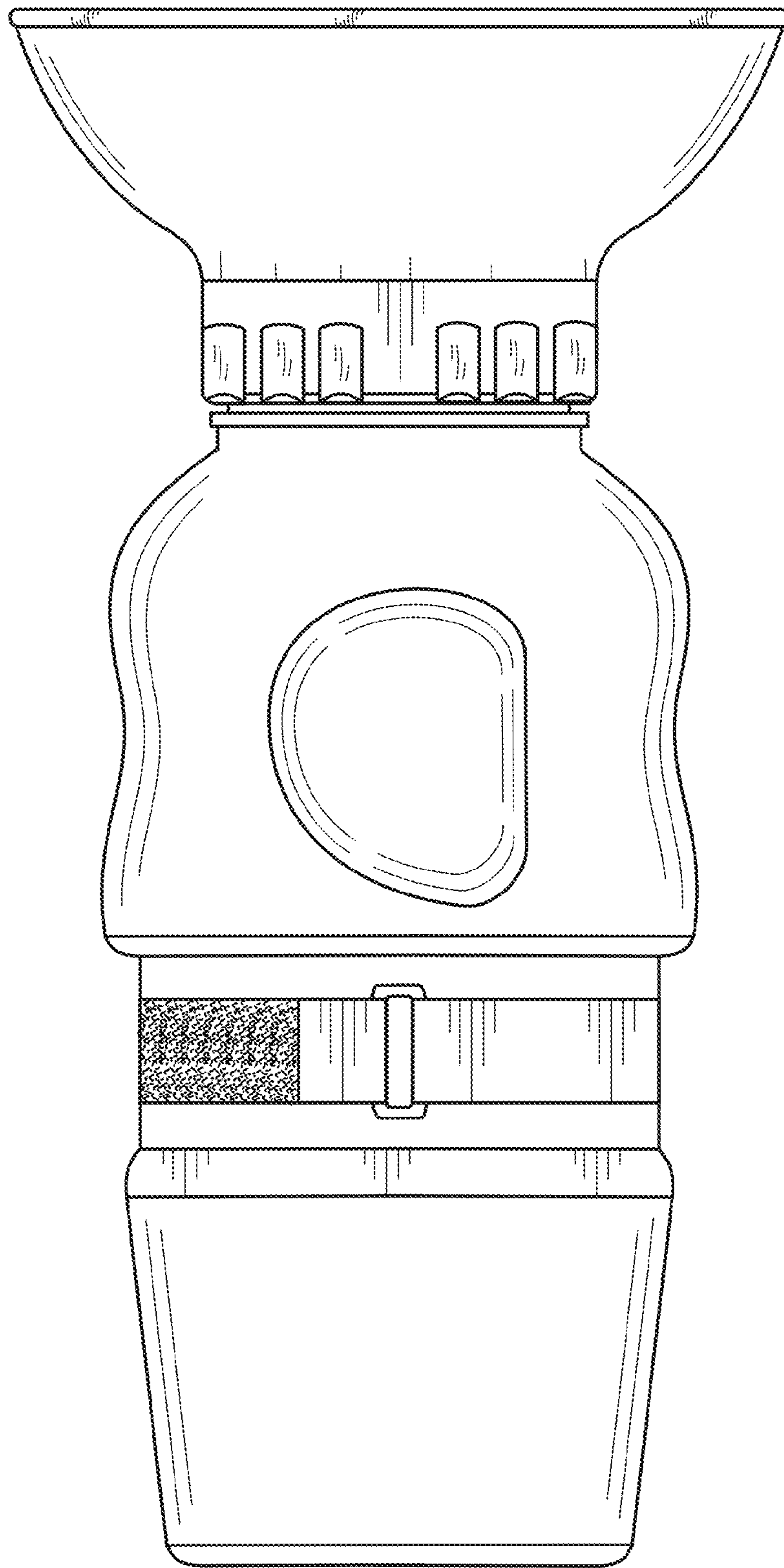


FIG. 9