



US00D741024S

(12) **United States Design Patent**
Liu

(10) **Patent No.:** **US D741,024 S**
(45) **Date of Patent:** **** Oct. 13, 2015**

(54) **PET BOWL**

(71) Applicant: **Sheng-Yu Liu**, Taipei (TW)

(72) Inventor: **Sheng-Yu Liu**, Taipei (TW)

(**) Term: **14 Years**

(21) Appl. No.: **29/502,616**

(22) Filed: **Sep. 18, 2014**

(51) **LOC (10) Cl.** **30-03**

(52) **U.S. Cl.**

USPC **D30/129**

(58) **Field of Classification Search**

USPC D30/121, 122, 129–133; 119/61.5,
119/51.01, 61.56, 51.03, 59, 62, 63, 51.5,
119/57.8, 74, 61.54, 61.55; 312/204;
248/151, 188; 108/153.1–157;
220/23.87, 630, 737, 743, 9.4, 495.01,
220/574, 212, 255, 23.83; 206/515;
D7/586, 543, 550.1, 587, 505, 584,
D7/545, 500, 553.1–553.8, 546, 555, 556,
D7/504, 565, 562, 602; D9/429; 43/109;
D22/122; 99/430, DIG. 15

CPC A01K 5/0114; A01K 5/01; A01K 5/0135;
A01K 7/005; A01K 7/00; A01K 7/02; A01K
5/0142; A01K 5/0121; A01K 5/0128; A01K
27/004; A01K 39/014; A01K 39/00; A01K
39/02; A01K 39/0113; A47J 43/0727; A01M
29/34; B29C 65/48; B65D 81/36

See application file for complete search history.

(56) **References Cited**

U.S. PATENT DOCUMENTS

D67,712 S * 6/1925 Melville D2/967
D194,784 S * 3/1963 Van Voorhis D30/129
D197,574 S * 2/1964 Gulotta D7/545
D207,442 S * 4/1967 Facci D2/616
D221,099 S * 7/1971 Alparone D7/584
3,838,772 A * 10/1974 Lang et al. 206/520

4,127,189 A * 11/1978 Shumrak et al. 206/520
D270,672 S * 9/1983 Zelinger D30/130
D302,754 S * 8/1989 Fuller D30/129
D304,536 S * 11/1989 Blaser D7/584
D314,253 S * 1/1991 Goetz D30/129
5,031,575 A * 7/1991 Phillips 119/61.53
5,169,023 A * 12/1992 Heiberg et al. 220/574
D336,446 S * 6/1993 Browning D11/126
D347,658 S * 6/1994 Scapillato D20/29
5,392,948 A * 2/1995 McEntee 220/669
D357,588 S * 4/1995 Fachinger D6/304
5,419,454 A * 5/1995 Stowell et al. 220/574
5,423,452 A * 6/1995 Tardif 220/574
D360,304 S * 7/1995 Fachinger D6/304
D361,874 S * 8/1995 Keller et al. D30/129
D370,146 S * 5/1996 Petronio D6/534
D391,363 S * 2/1998 Rohrig D24/194
D394,229 S * 5/1998 Curry D11/126
D397,740 S * 9/1998 Georgevich D21/400
D399,029 S * 9/1998 Falcone et al. D30/130
D405,561 S * 2/1999 Willinger et al. D30/129
D427,743 S * 7/2000 Macias D1/107
6,112,698 A * 9/2000 Zelinger 119/61.54
D435,160 S * 12/2000 Macias D1/107
D440,736 S * 4/2001 Stafford D1/107

(Continued)

Primary Examiner — Susan Moon Lee

(74) *Attorney, Agent, or Firm* — Whyte Hirschboeck Dudek S.C.

(57) **CLAIM**

The ornamental design for a “pet bowl,” as shown and described.

DESCRIPTION

FIG. 1 is a perspective view of a “pet bowl” showing my design;

FIG. 2 is a front elevational view thereof;

FIG. 3 is a rear elevational view thereof;

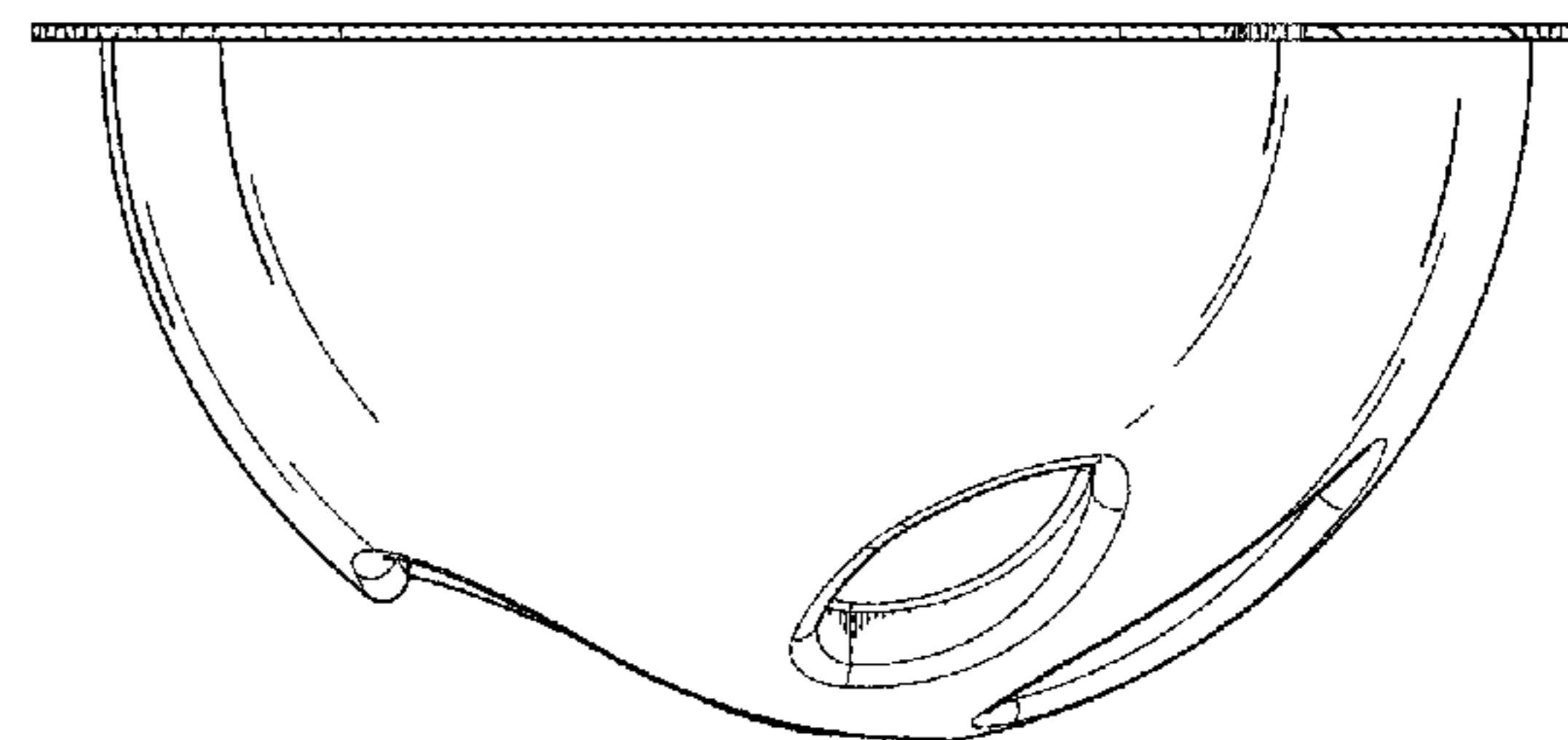
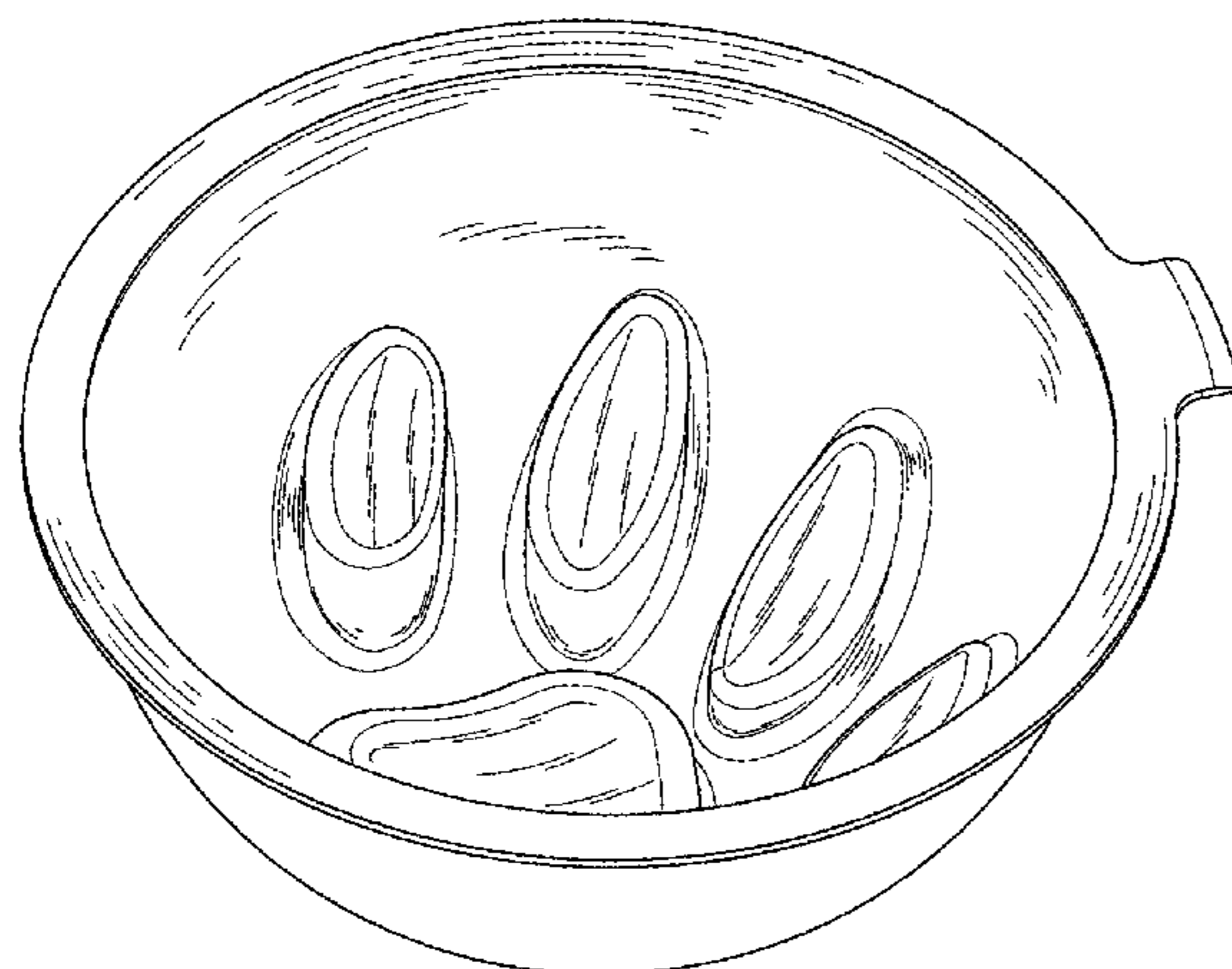
FIG. 4 is a left side elevational view thereof;

FIG. 5 is a right side elevational view thereof;

FIG. 6 is a top plan view thereof; and,

FIG. 7 is a bottom plan view thereof.

1 Claim, 7 Drawing Sheets



(56)

References Cited

U.S. PATENT DOCUMENTS

- D445,518 S * 7/2001 Warden D26/38
D447,074 S * 8/2001 Chan D10/104.1
6,341,578 B1 * 1/2002 Berube 119/162
D454,234 S * 3/2002 Weterrings D30/129
D457,705 S * 5/2002 Haslet et al. D32/40
D457,989 S * 5/2002 O'Rourke D30/158
6,431,389 B1 * 8/2002 Jerstroem et al. 220/574.3
6,460,191 B1 * 10/2002 Lorkovic 2/161.8
D466,655 S * 12/2002 Zelinger D30/129
D467,393 S * 12/2002 Warden D30/155
D473,769 S * 4/2003 Kelleghan D8/38
D475,504 S * 6/2003 Hodgdon D1/130
D476,767 S * 7/2003 Warden D26/38
D496,137 S * 9/2004 Byrne D30/160
6,834,616 B2 * 12/2004 Fort, II 119/57.8
D504,223 S * 4/2005 Tamburri D3/211
D506,585 S * 6/2005 Muller et al. D32/32
D507,119 S * 7/2005 Reeves, Jr. D6/304
D516,255 S * 2/2006 Maguire D30/129
D520,677 S * 5/2006 Xu D27/149
D531,364 S * 10/2006 Crane D30/118
D532,979 S * 12/2006 Viola D4/129
D533,975 S * 12/2006 Kelly et al. D30/162
7,207,291 B1 * 4/2007 Watts 119/61.5
D553,305 S * 10/2007 Willinger et al. D30/133
D558,933 S * 1/2008 Hood et al. D30/158
D560,862 S * 1/2008 Knuth et al. D30/155
D561,411 S * 2/2008 Pipenur et al. D30/155
D564,138 S * 3/2008 Dunn et al. D30/129
D571,929 S * 6/2008 Palmer, III D25/2
D572,141 S * 7/2008 Slabaugh D9/601
D574,282 S * 8/2008 Hill D10/104.1
D581,830 S * 12/2008 Slabaugh D11/127
D585,727 S * 2/2009 Kelleghan D8/356
D589,660 S * 3/2009 Tolentino-Swem D30/199
D591,162 S * 4/2009 Slabaugh D9/607
D591,478 S * 5/2009 Slusarczyk et al. D1/107
D591,914 S * 5/2009 Witham D30/199
D598,613 S * 8/2009 Walston et al. D30/146
D602,656 S * 10/2009 Fuhrer D30/162
D606,278 S * 12/2009 Kerr et al. D1/107
D614,074 S * 4/2010 Castaline et al. D11/79
D614,818 S * 4/2010 Moore et al. D30/158
D617,060 S * 6/2010 Akrey D30/154
D622,028 S * 8/2010 Kerr et al. D1/107
D623,806 S * 9/2010 Modi et al. D30/129
D631,757 S * 2/2011 Kerr et al. D9/732
D640,564 S * 6/2011 Kerr et al. D9/607
D642,336 S * 7/2011 Desrosiers D30/129
D650,147 S * 12/2011 Kerr et al. D1/106
D651,095 S * 12/2011 Kerr et al. D9/607
D654,245 S * 2/2012 School D99/5
D656,280 S * 3/2012 St. Clair D30/129
D659,547 S * 5/2012 Kerr et al. D9/669
D665,000 S * 8/2012 Morelli et al. D15/90
D665,133 S * 8/2012 Haverstock D30/129
D665,264 S * 8/2012 Kerr et al. D9/607
D667,034 S * 9/2012 Wirth et al. D15/140
D673,002 S * 12/2012 Hollinger D7/357
D676,202 S * 2/2013 Hansen D30/199
D676,619 S * 2/2013 Hansen D30/199
D682,442 S * 5/2013 Nguyen D24/224
D682,482 S * 5/2013 Nelson D30/129
D684,733 S * 6/2013 Altoon D30/161
D685,565 S * 7/2013 Bhandula D99/1
D687,616 S * 8/2013 Smith et al. D1/107
D689,328 S * 9/2013 Hollinger D7/357
D693,862 S * 11/2013 Wirth et al. D15/140
D694,299 S * 11/2013 Wirth et al. D15/140
D697,686 S * 1/2014 Kerr et al. D1/106
D697,687 S * 1/2014 Kerr et al. D1/107
D697,691 S * 1/2014 Kerr et al. D1/199
D697,692 S * 1/2014 Kerr et al. D1/199
D701,004 S * 3/2014 Maguire D30/129
D702,484 S * 4/2014 Endres et al. D7/357
D710,112 S * 8/2014 Dunn D4/125
D715,675 S * 10/2014 Ma D11/3
D725,317 S * 3/2015 Avalos Sartorio et al. .. D30/129
D725,836 S * 3/2015 Avalos Sartorio et al. .. D30/129
D727,576 S * 4/2015 Avalos Sartorio et al. .. D30/129
D728,865 S * 5/2015 Tsengas D30/129
2002/0185073 A1 * 12/2002 Fullerton et al. 119/51.01
2003/0070956 A1 * 4/2003 Schiltz et al. 206/515
2003/0185953 A1 * 10/2003 Bortone 426/516
2004/0237901 A1 * 12/2004 Willinger et al. 119/61.54
2005/0235919 A1 * 10/2005 Willinger et al. 119/61.5
2005/0284387 A1 * 12/2005 Zelinger 119/61.5
2006/0005774 A1 * 1/2006 Newman Bornhofen 119/61.5
2006/0010913 A1 * 1/2006 Torres et al. 63/23
2007/0034166 A1 * 2/2007 Brooks 119/867
2008/0072829 A1 * 3/2008 Kerrigan et al. 119/61.5
2008/0141945 A1 * 6/2008 Markham 119/61.5
2008/0216753 A1 * 9/2008 Wang 119/61.1
2009/0199774 A1 * 8/2009 Hamilton 119/61.54
2010/0012042 A1 * 1/2010 Lee 119/61.5
2011/0132269 A1 * 6/2011 Davidson 119/161
2011/0169183 A1 * 7/2011 Axelrod et al. 264/46.4
2012/0068396 A1 * 3/2012 Wirth et al. 269/289 R
2013/0228128 A1 * 9/2013 Schehr 119/61.5
2014/0076240 A1 * 3/2014 Tsengas 119/61.5
2014/0158054 A1 * 6/2014 Clarke et al. 119/51.01
2015/0059651 A1 * 3/2015 Talt et al. 119/61.5
2015/0114302 A1 * 4/2015 Harris 119/61.54

* cited by examiner



fig. 1

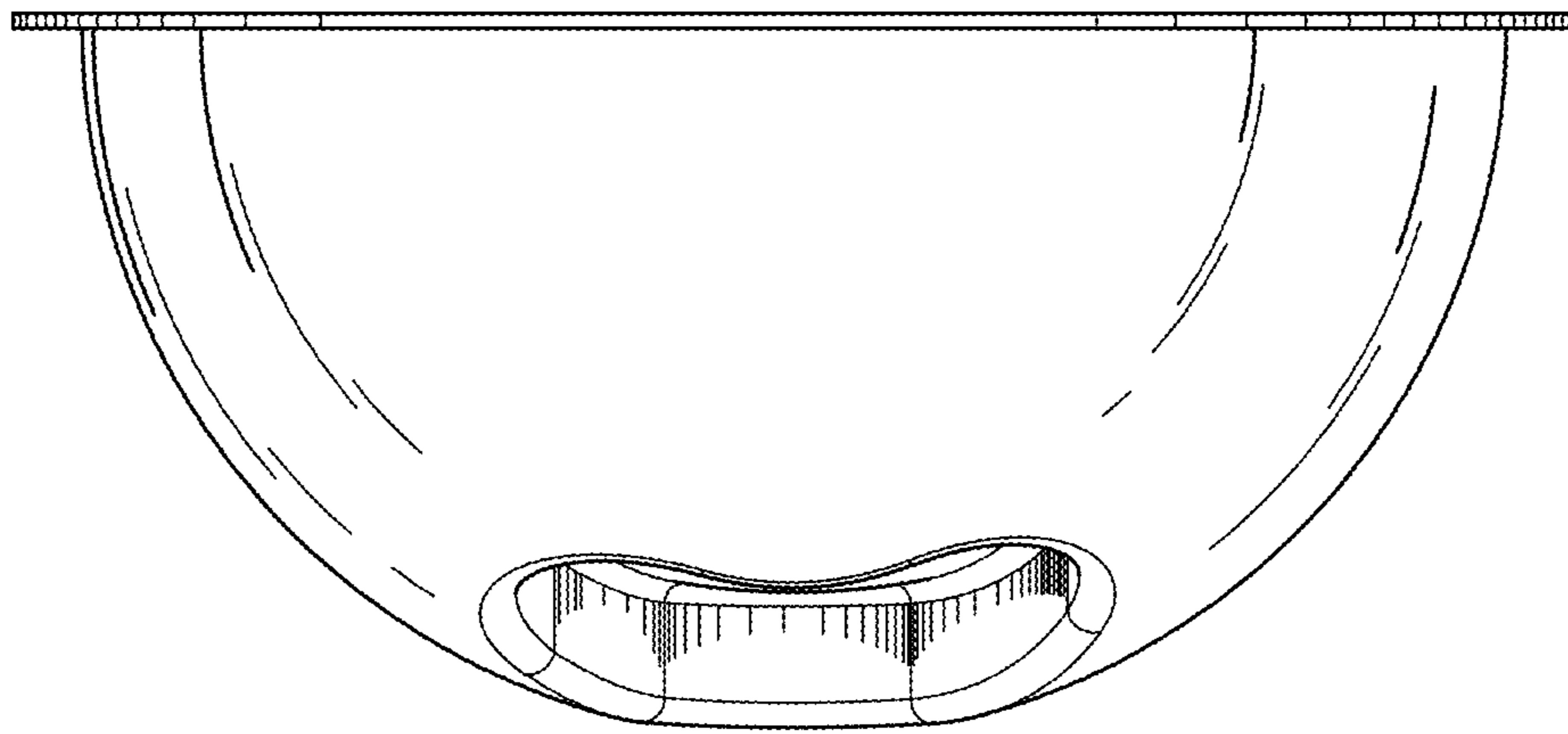


fig. 2

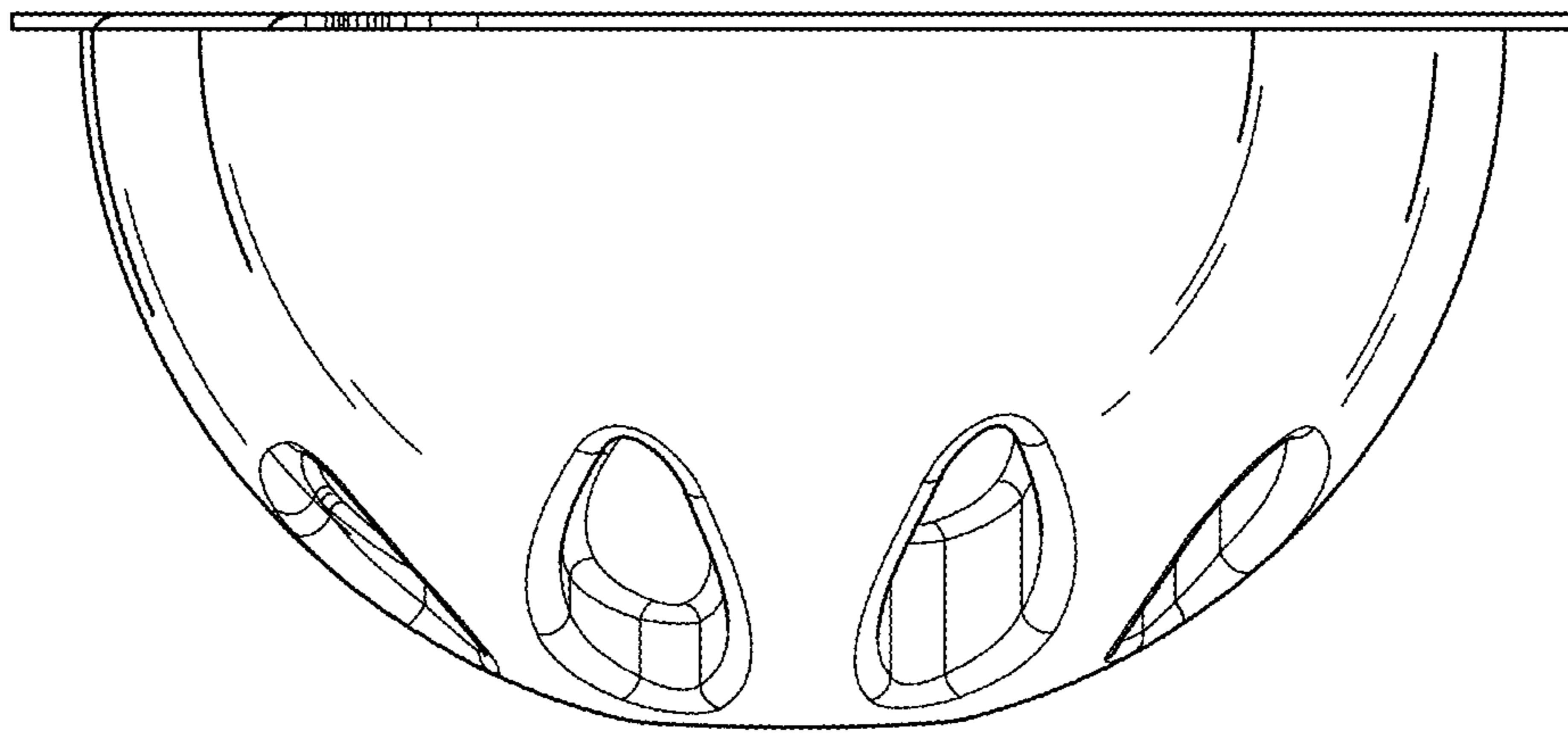


fig. 3

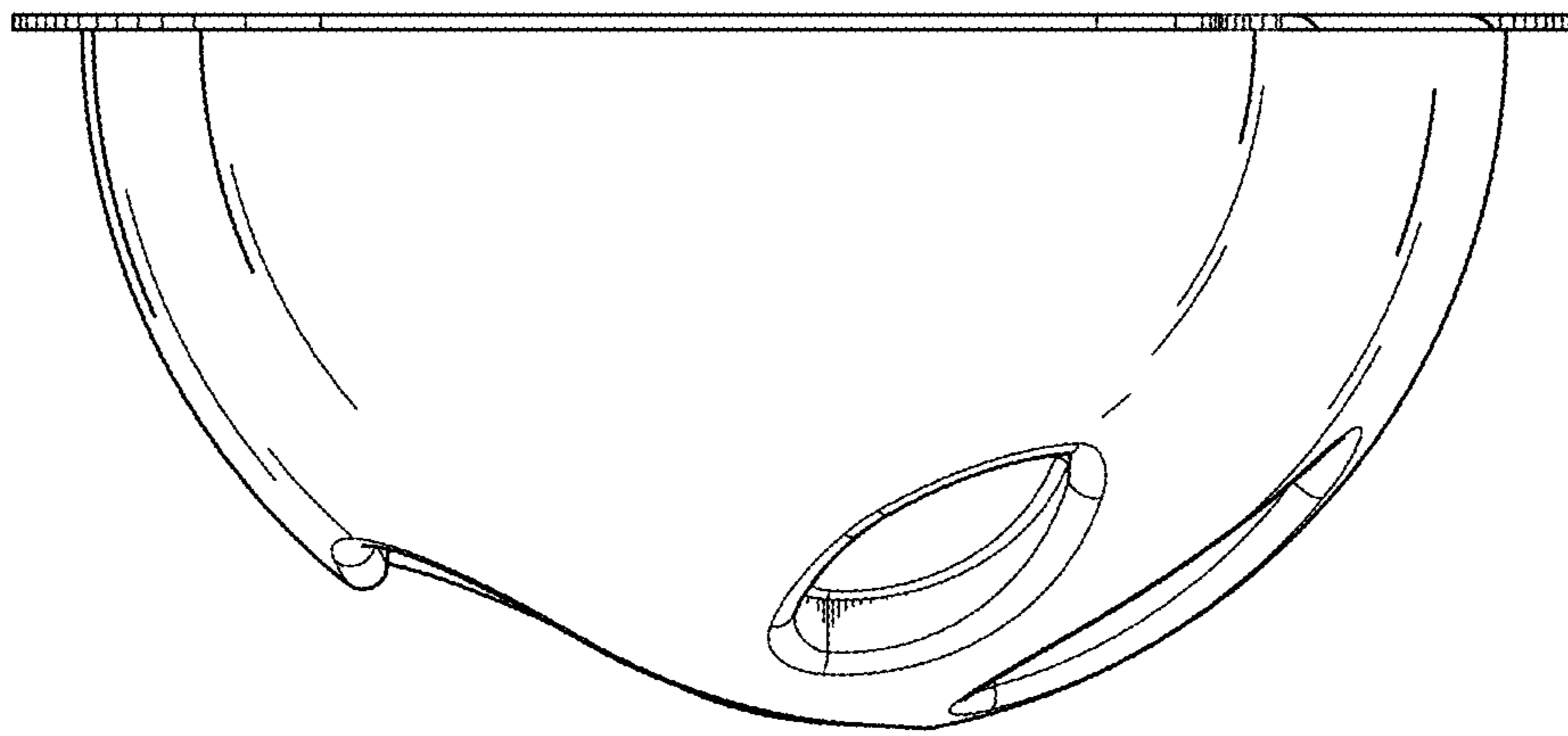


fig. 4

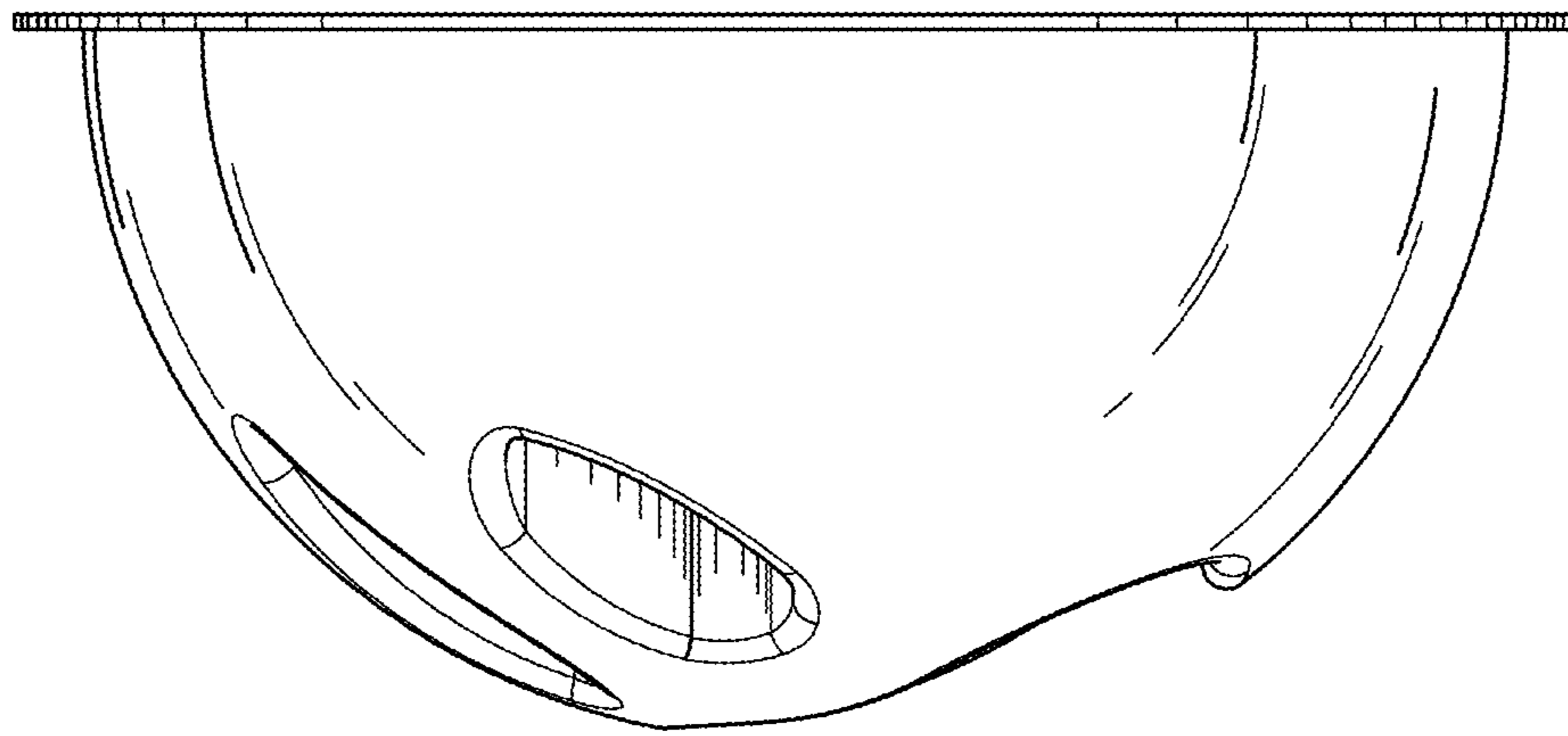


fig. 5



fig. 6

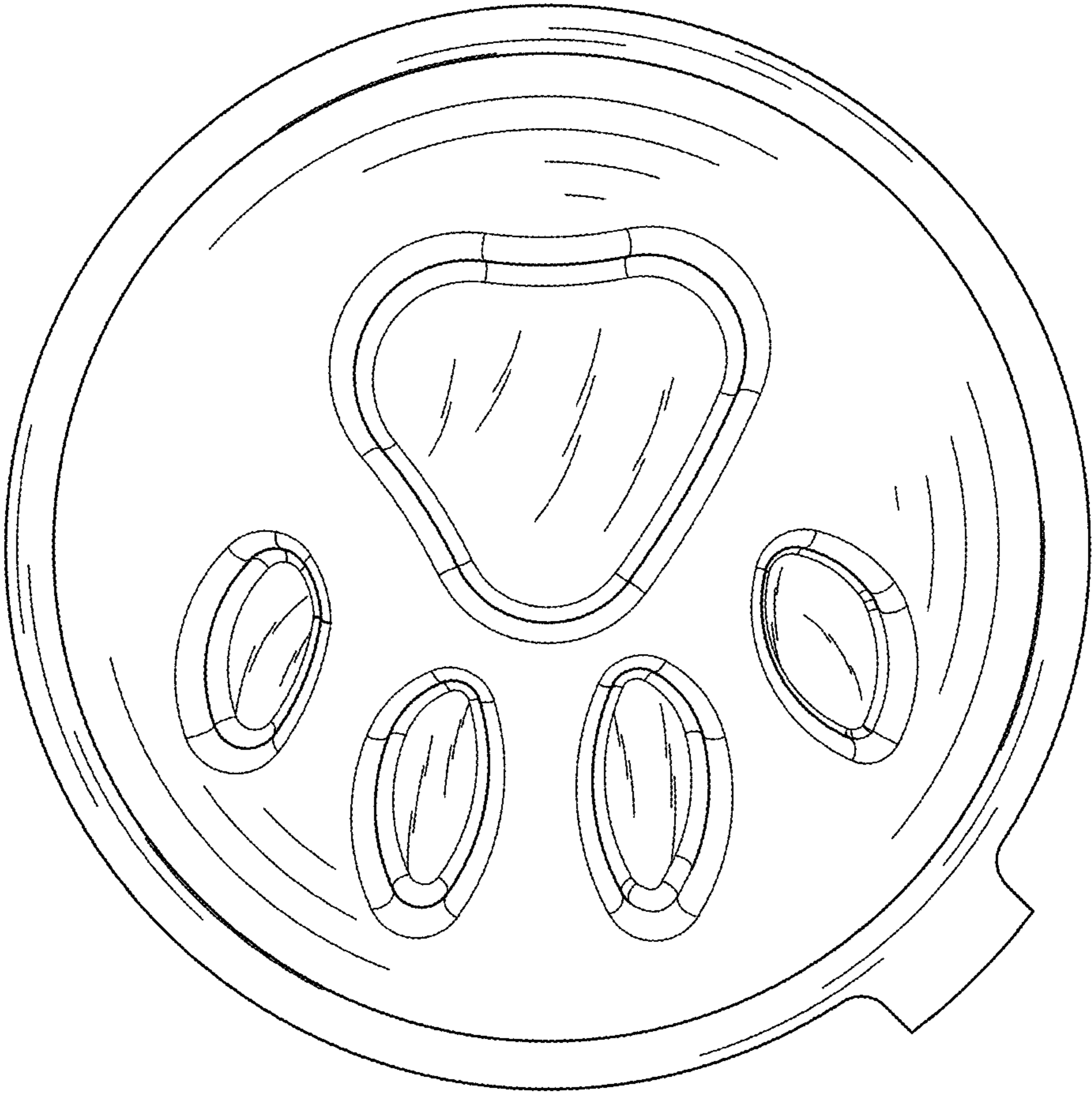


fig. 7