



US00D741022S

(12) **United States Design Patent**
O'Dell

(10) **Patent No.:** **US D741,022 S**

(45) **Date of Patent:** **** Oct. 13, 2015**

(54) **VISOR**

(71) Applicant: **Nick O'Dell**, Kannapolis, NC (US)

(72) Inventor: **Nick O'Dell**, Kannapolis, NC (US)

(**) Term: **14 Years**

(21) Appl. No.: **29/477,072**

(22) Filed: **Dec. 19, 2013**

(51) **LOC (10) Cl.** **02-03**

(52) **U.S. Cl.**
USPC **D29/122**

(58) **Field of Classification Search**

USPC D29/100, 102, 104, 105, 106, 107, 108,
D29/109, 110, 122; D2/872, 873, 882;
2/455, 421, 424, 425, 15, 10, 12, 427,
2/428, 429, 431, 432, 9, 6.3, 6.4, 6.5, 6.6,
2/6.7, 411, 5, 173, 206, 207, 209.12,
2/209.13, 205, 909, 195.1, 195.6; 446/27

CPC A42B 1/00; A42B 3/04
See application file for complete search history.

(56) **References Cited**

U.S. PATENT DOCUMENTS

5,682,219 A * 10/1997 Kim 351/41
6,105,172 A * 8/2000 Shida 2/171.3
D578,120 S * 10/2008 Lowe et al. D14/372
D632,437 S * 2/2011 Lebel et al. D29/107
D672,097 S * 12/2012 Gendron D29/122

2002/0186180 A1 12/2002 Duda
2006/0037125 A1 2/2006 McDowell
2006/0048286 A1 3/2006 Donato
2006/0072007 A1 4/2006 Gilor
2006/0230497 A1 10/2006 Thompson
2009/0303588 A1 12/2009 Charlesworth

FOREIGN PATENT DOCUMENTS

DE 202006016501 12/2006

OTHER PUBLICATIONS

Eskina, E., Lukashina, E., International Search Report for PCT/
US2014/071124, Apr. 2, 2015, ISA/RU, Moscow, Russia.

* cited by examiner

Primary Examiner — Randall Gholson

(74) *Attorney, Agent, or Firm* — Trego, Hines & Ladenheim,
PLLC

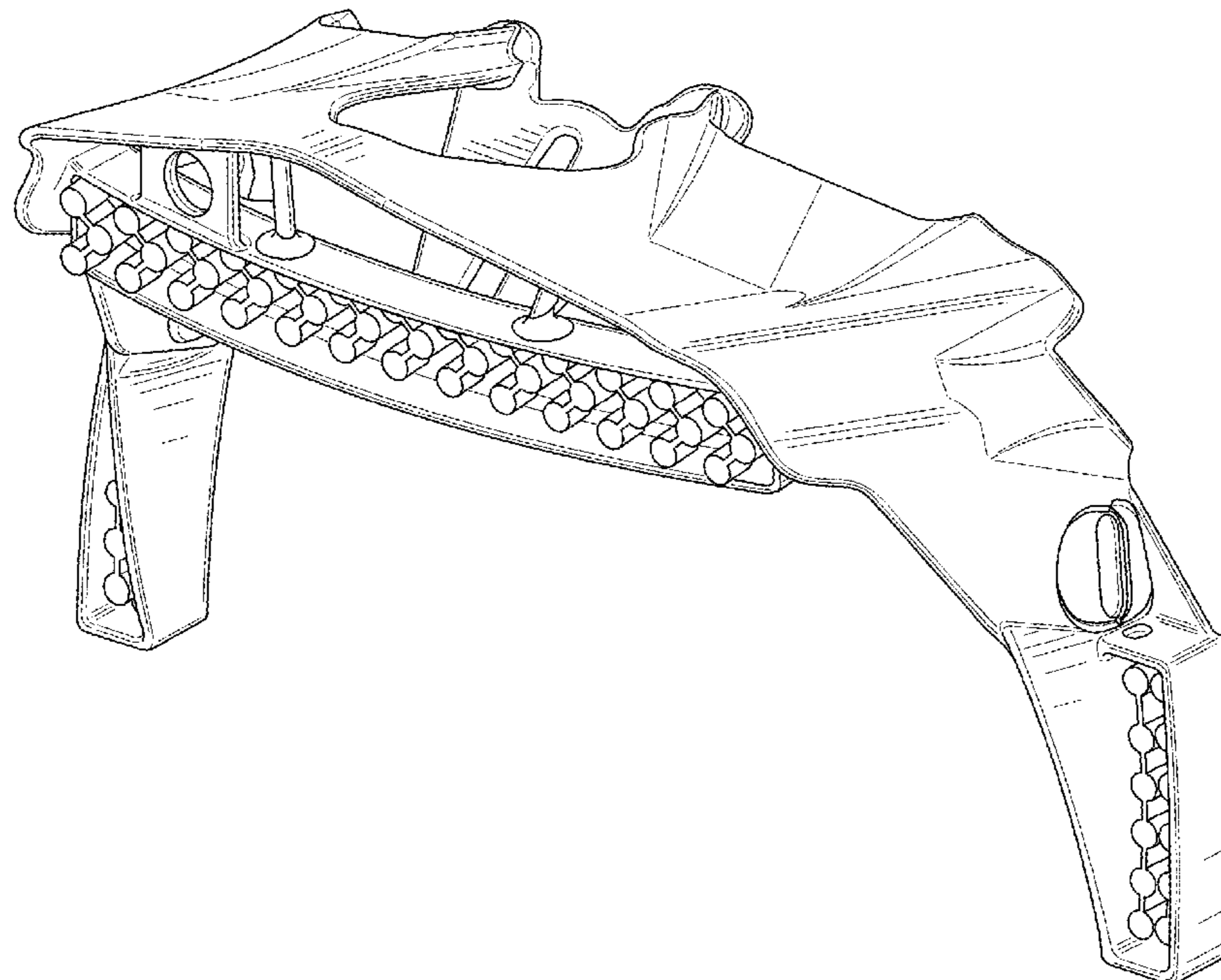
(57) **CLAIM**

I claim the ornamental design for a visor, as shown and
described.

DESCRIPTION

FIG. 1 is a perspective view of a visor, showing my design;
FIG. 2 is a front elevation of the visor of FIG. 1;
FIG. 3 is a rear elevation of the visor of FIG. 1;
FIG. 4 is a top view of the visor of FIG. 1;
FIG. 5 is a bottom view of the visor of FIG. 1;
FIG. 6 is a right side elevation of the visor of FIG. 1; and,
FIG. 7 is a left side elevation of the visor of FIG. 1.

1 Claim, 7 Drawing Sheets



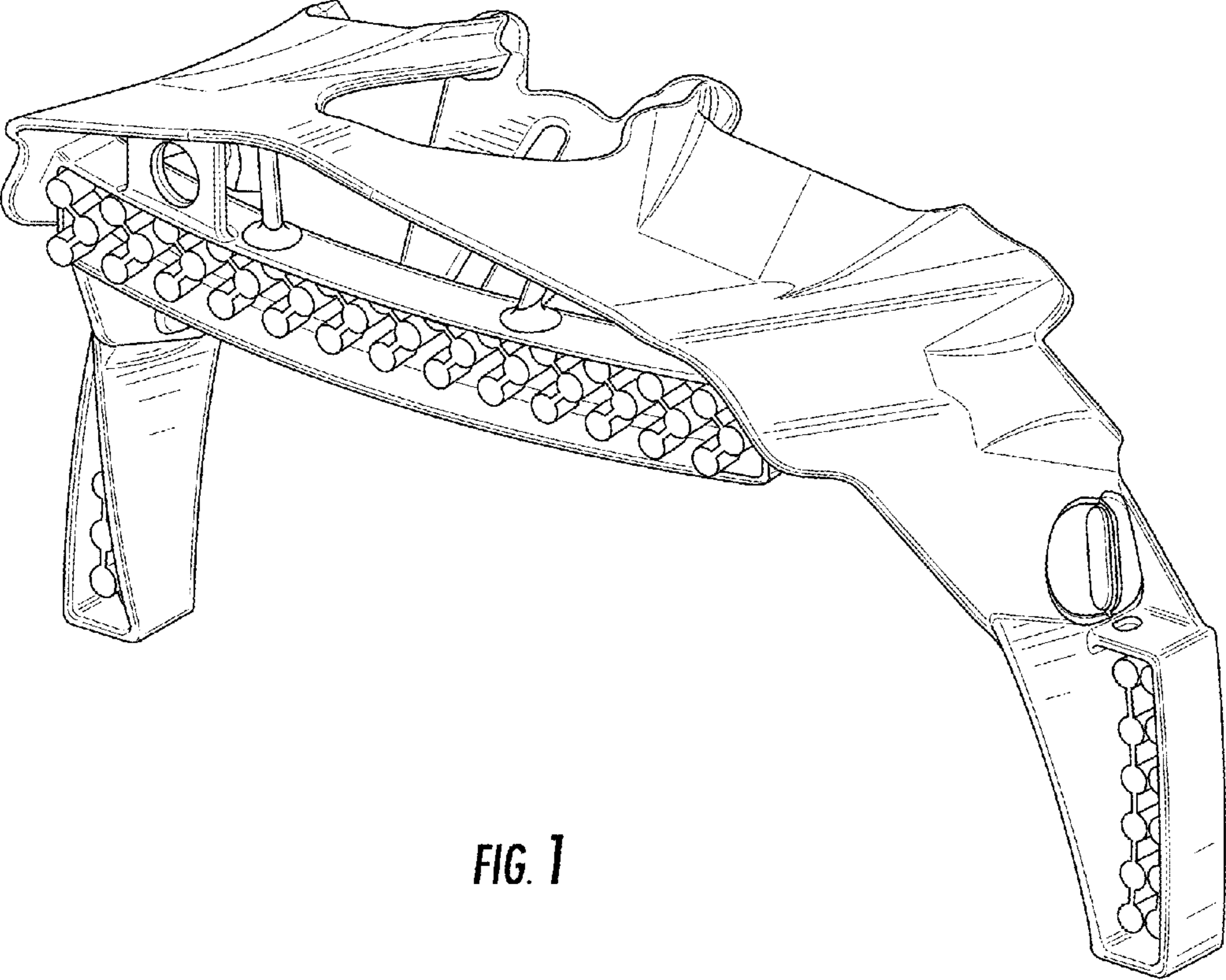


FIG. 1

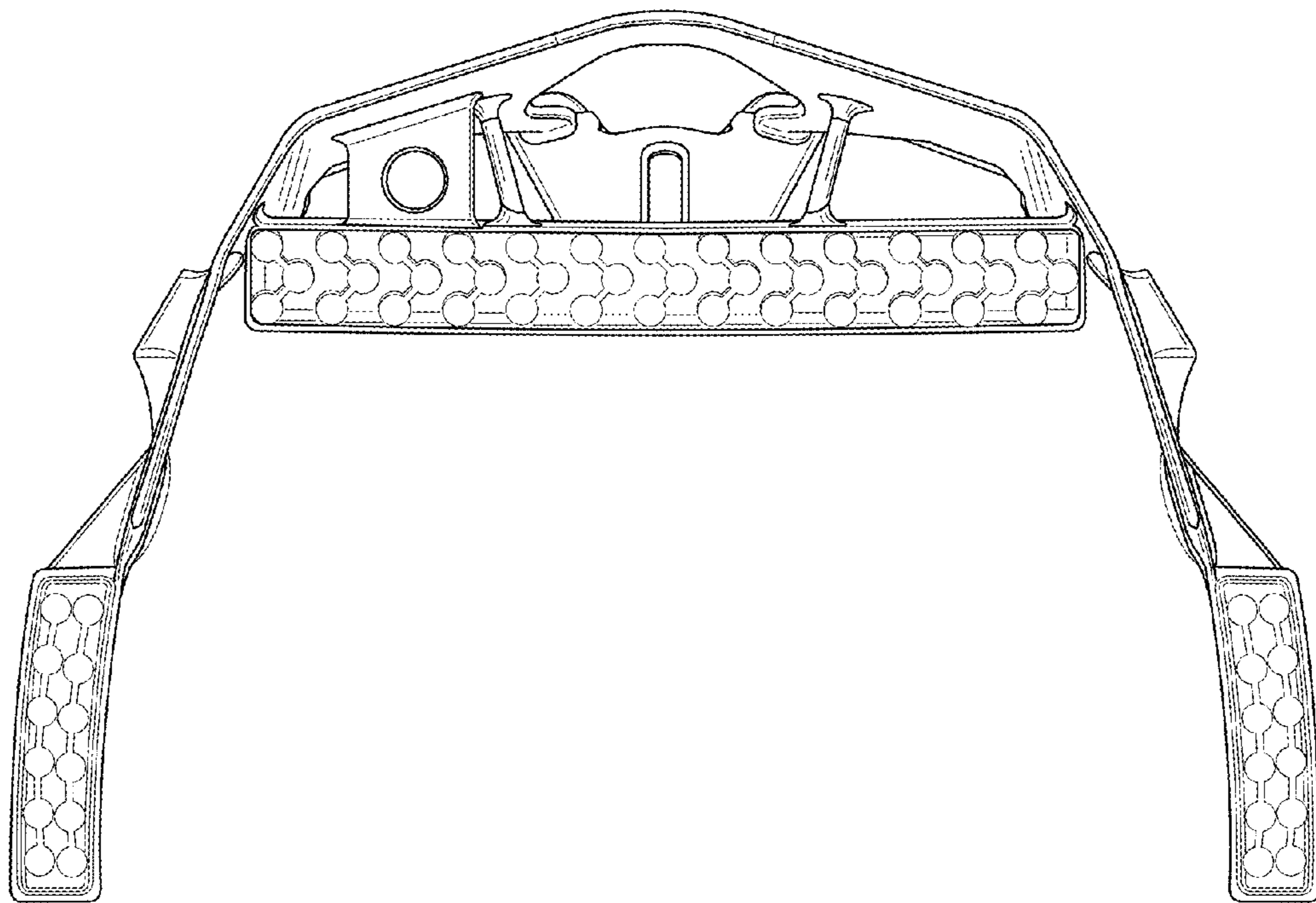


FIG. 2

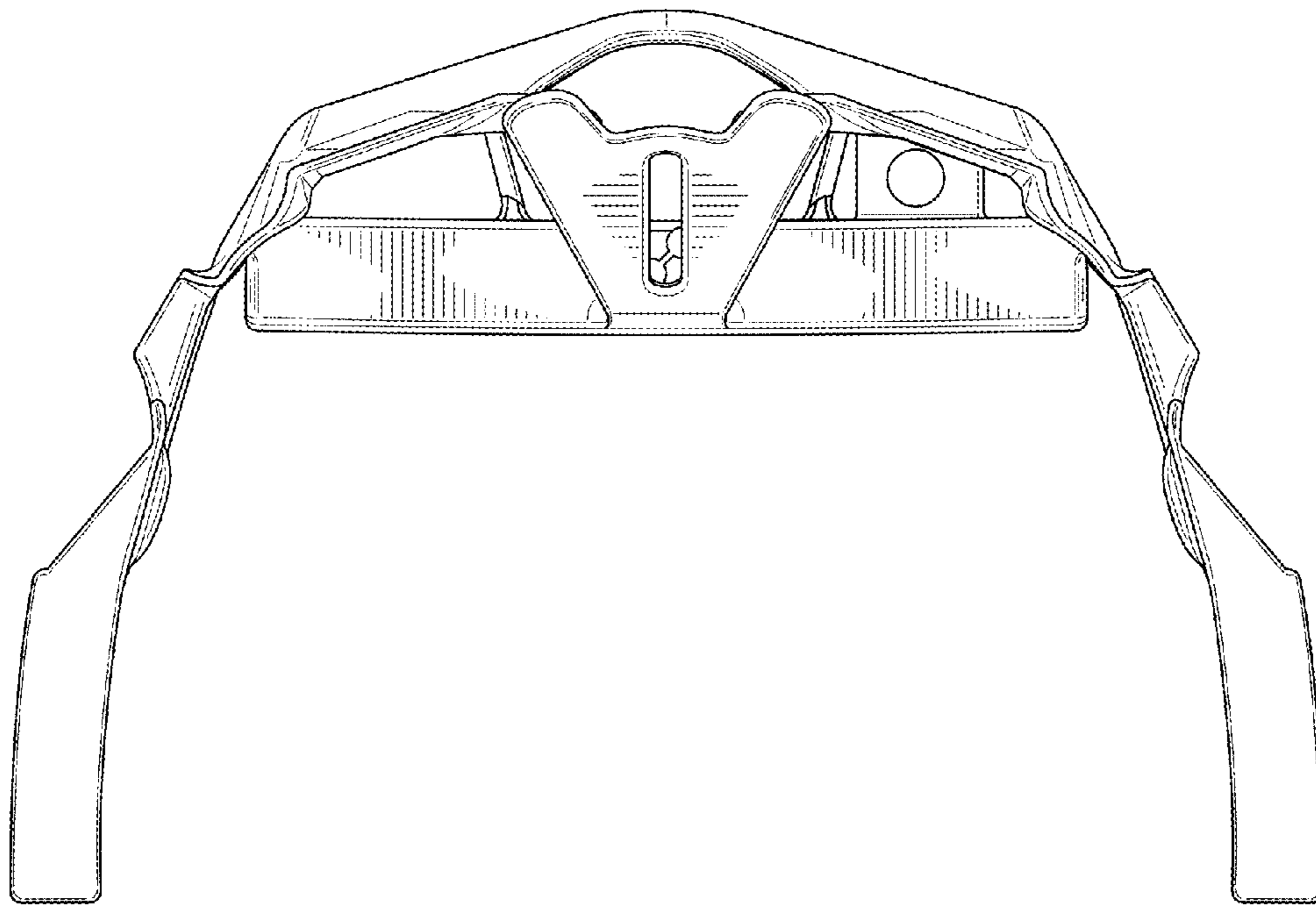


FIG. 3

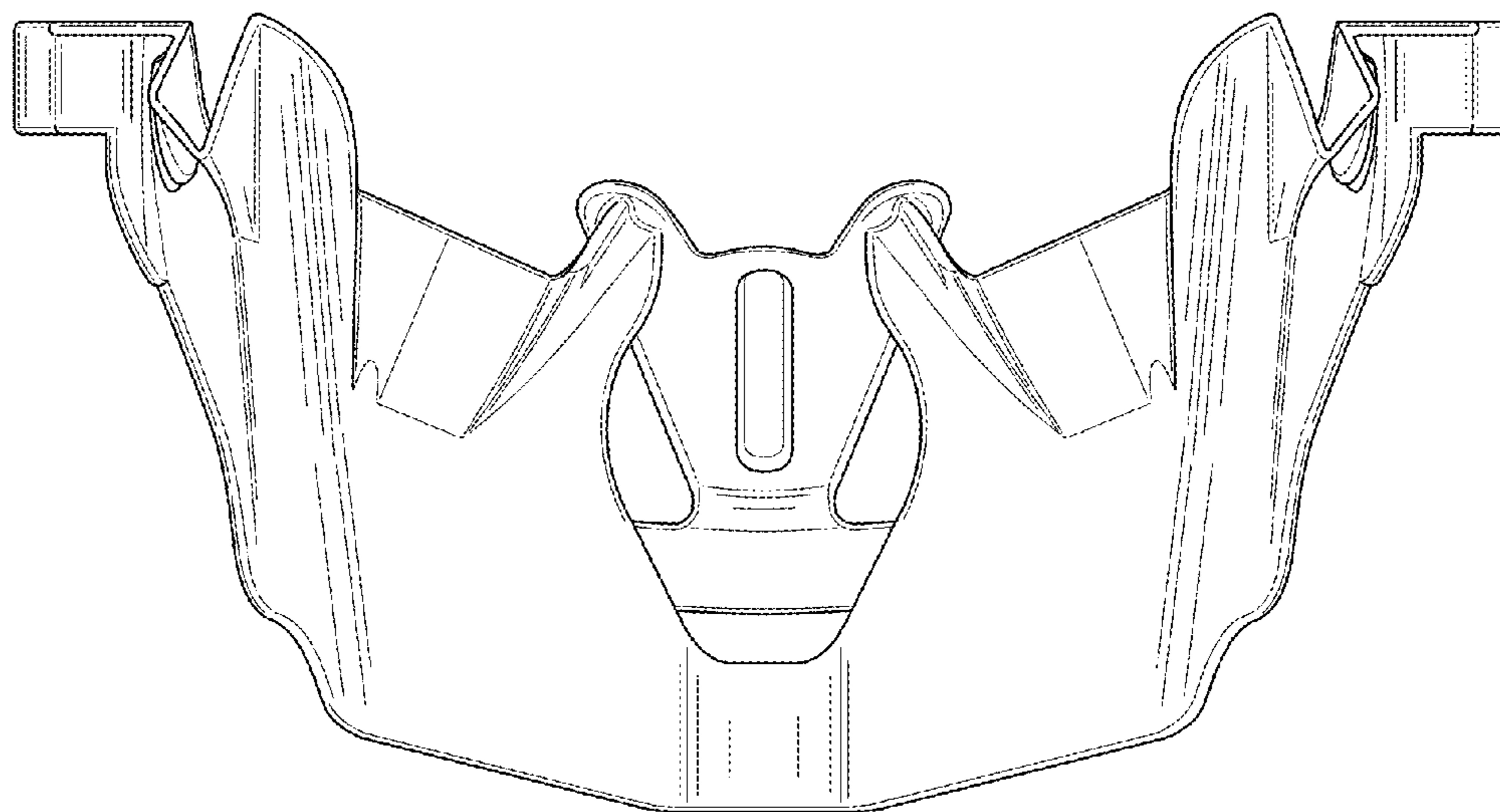


FIG. 4

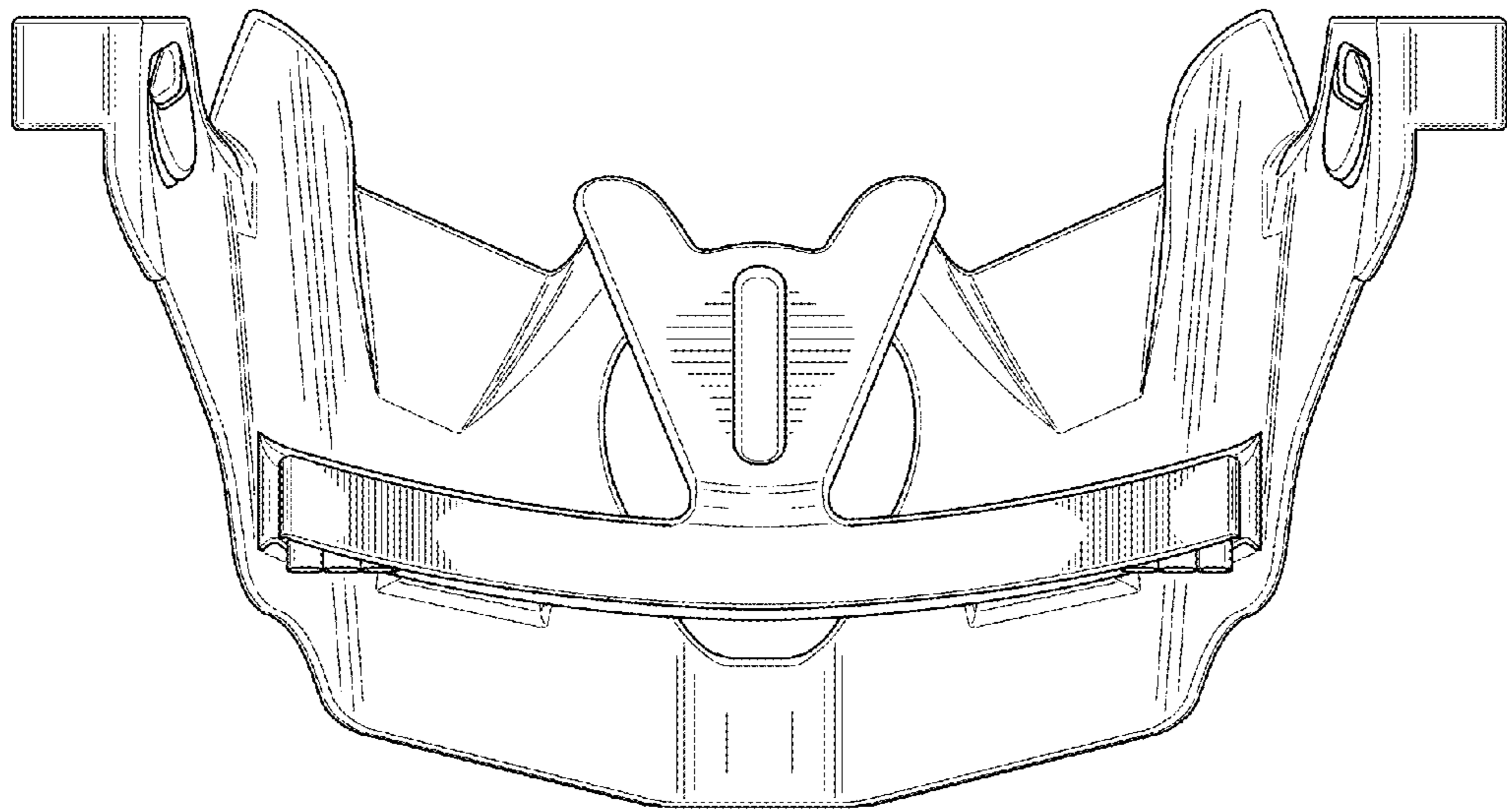


FIG. 5

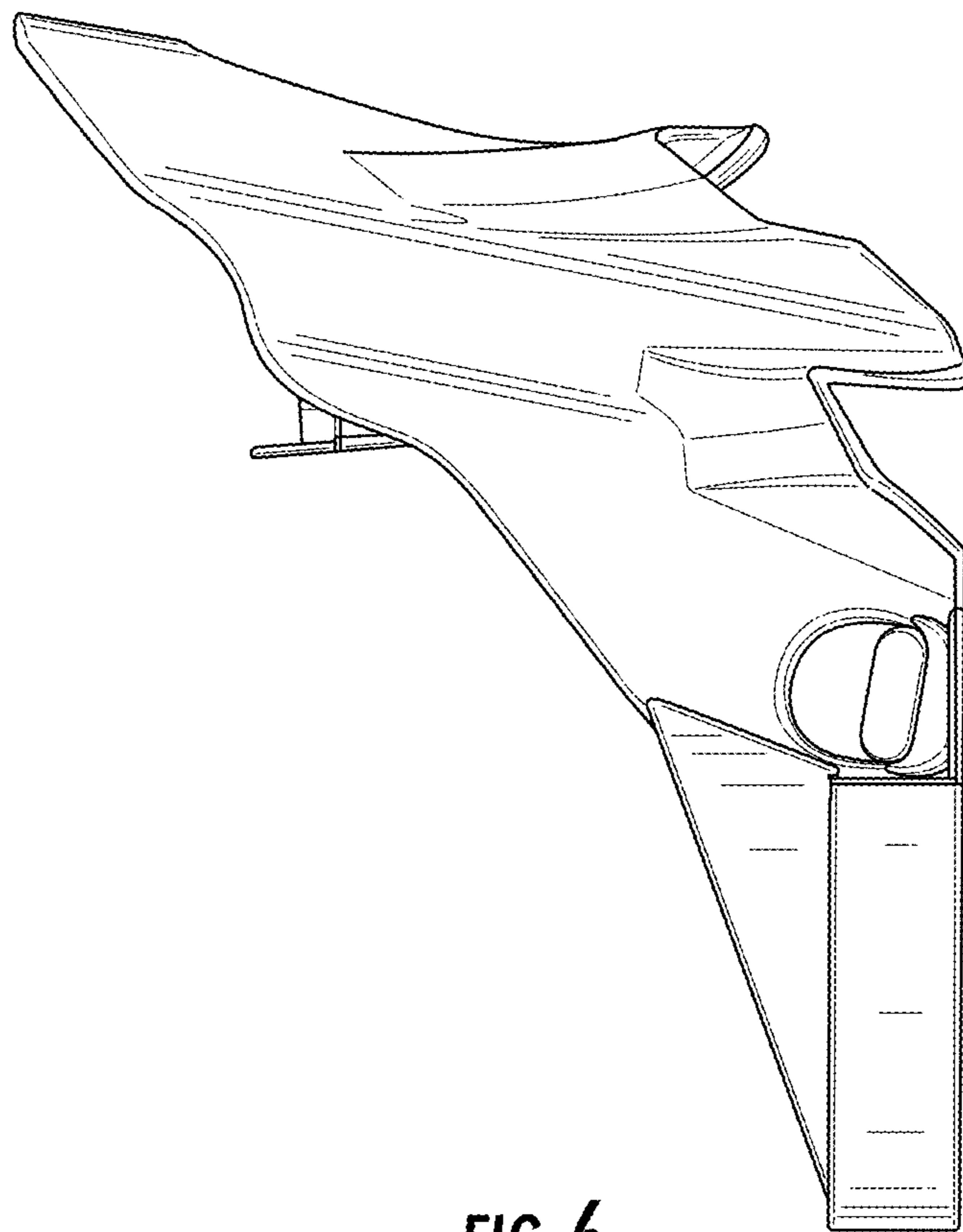


FIG. 6

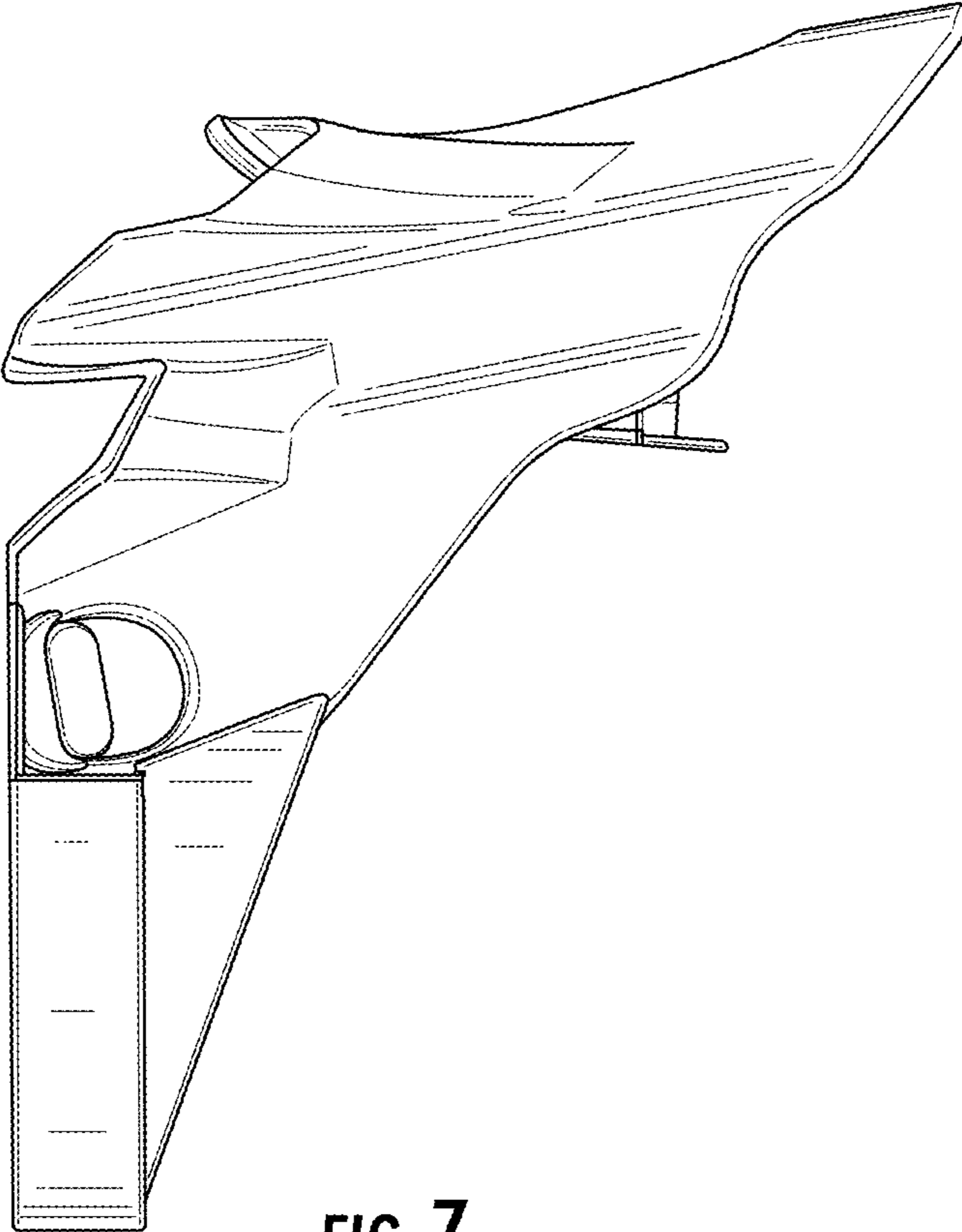


FIG. 7