



US00D741021S

(12) **United States Design Patent**  
**O'Dell**

(10) **Patent No.:** **US D741,021 S**

(45) **Date of Patent:** **\*\* Oct. 13, 2015**

(54) **VISOR**

(71) Applicant: **Nick O'Dell**, Kannapolis, NC (US)

(72) Inventor: **Nick O'Dell**, Kannapolis, NC (US)

(\*\*) Term: **14 Years**

(21) Appl. No.: **29/477,071**

(22) Filed: **Dec. 19, 2013**

(51) **LOC (10) Cl.** ..... **02-03**

(52) **U.S. Cl.**  
USPC ..... **D29/122**

(58) **Field of Classification Search**

USPC ..... D29/100, 102, 104, 105, 106, 107, 108,  
D29/109, 110, 122; D2/872, 873, 882;  
2/455, 421, 424, 425, 15, 10, 12, 427,  
2/428, 429, 431, 432, 9, 6.3, 6.4, 6.5, 6.6,  
2/6.7, 411, 5, 173, 206, 207, 209.12,  
2/209.13, 205, 909, 195.1, 195.6; 446/27

CPC ..... A42B 1/00; A42B 3/04  
See application file for complete search history.

(56) **References Cited**

**U.S. PATENT DOCUMENTS**

5,682,219 A \* 10/1997 Kim ..... 351/41  
6,105,172 A \* 8/2000 Shida ..... 2/171.3  
D578,120 S \* 10/2008 Lowe et al. .... D14/372  
D632,437 S \* 2/2011 Lebel et al. .... D29/107  
D672,097 S \* 12/2012 Gendron ..... D29/122

2002/0186180 A1 12/2002 Duda  
2006/0037125 A1 2/2006 McDowell  
2006/0048286 A1 3/2006 Donato  
2006/0072007 A1 4/2006 Gilor  
2006/0230497 A1 10/2006 Thompson  
2009/0303588 A1 12/2009 Charlesworth

**FOREIGN PATENT DOCUMENTS**

DE 202006016501 12/2006

**OTHER PUBLICATIONS**

Eskina, E., Lukashina, E., International Search Report for PCT/  
US2014/071124, Apr. 2, 2015, ISA/RU, Moscow, Russia.

\* cited by examiner

*Primary Examiner* — Randall Gholson

(74) *Attorney, Agent, or Firm* — Trego, Hines & Ladenheim,  
PLLC

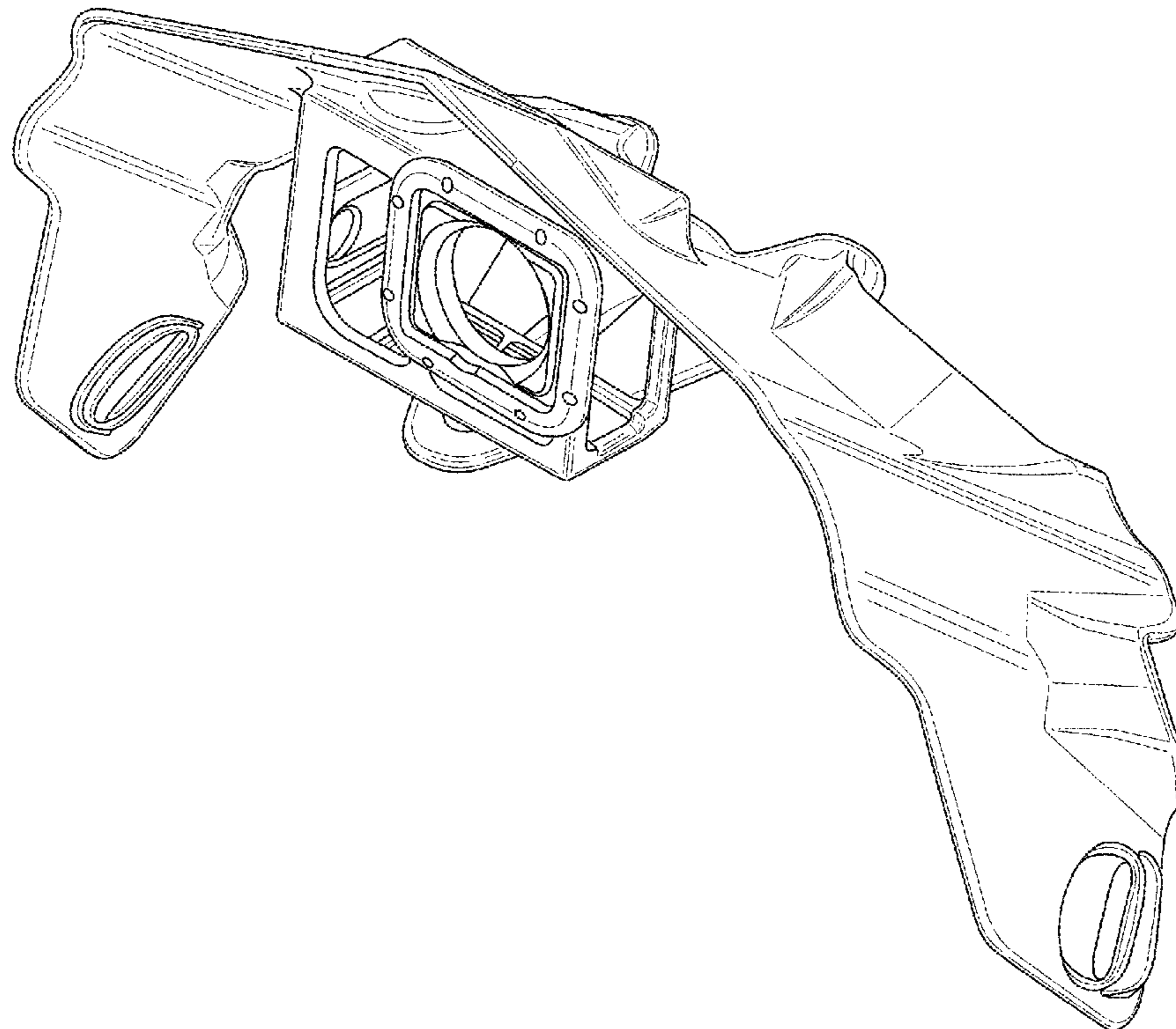
(57) **CLAIM**

I claim the ornamental design for a visor, as shown and  
described.

**DESCRIPTION**

FIG. 1 is a perspective view of a visor, showing my design;  
FIG. 2 is a front elevation of the visor of FIG. 1;  
FIG. 3 is a rear elevation of the visor of FIG. 1;  
FIG. 4 is a top view of the visor of FIG. 1;  
FIG. 5 is a bottom view of the visor of FIG. 1;  
FIG. 6 is a right side elevation of the visor of FIG. 1; and,  
FIG. 7 is a left side elevation of the visor of FIG. 1.

**1 Claim, 7 Drawing Sheets**



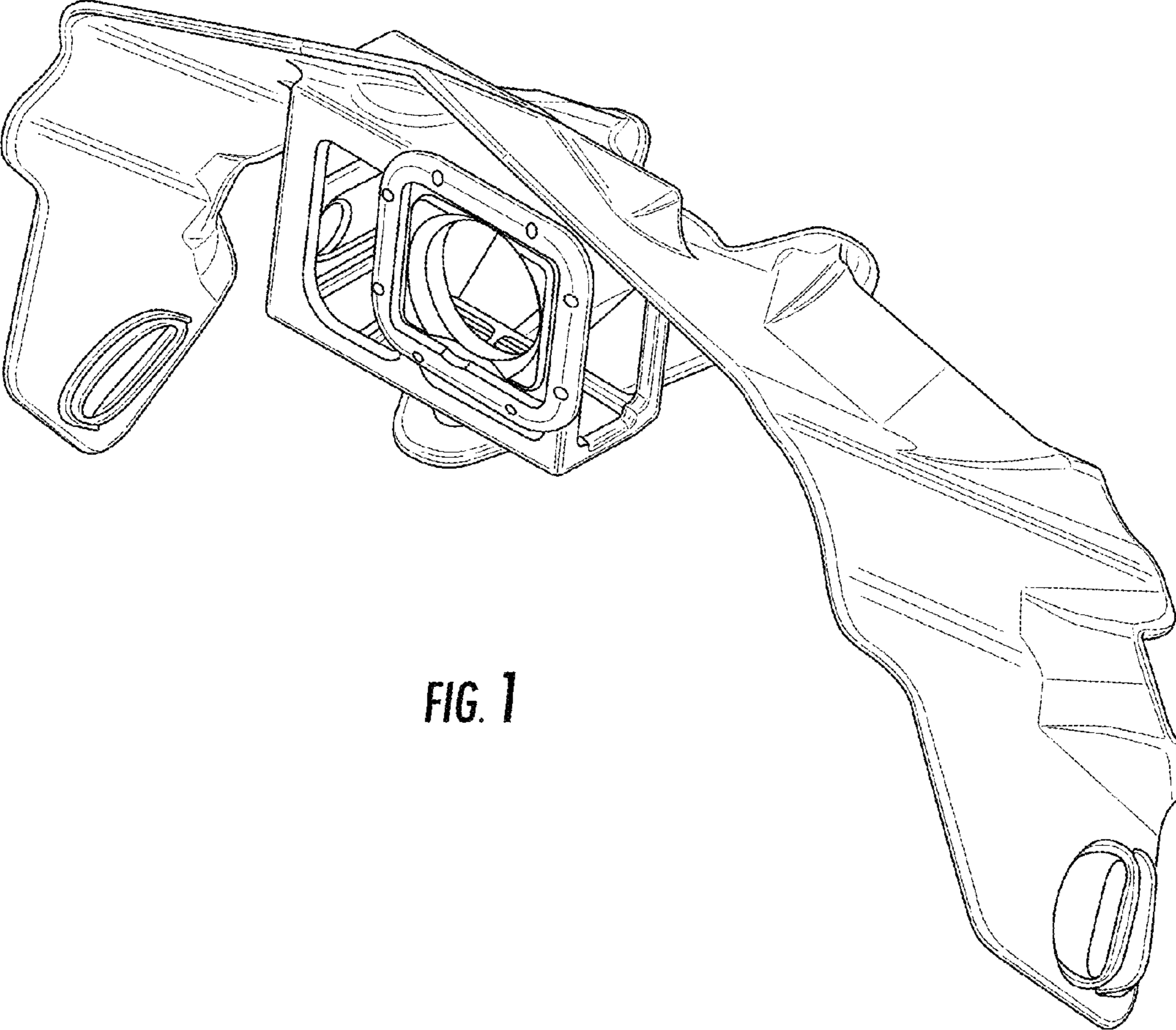


FIG. 1

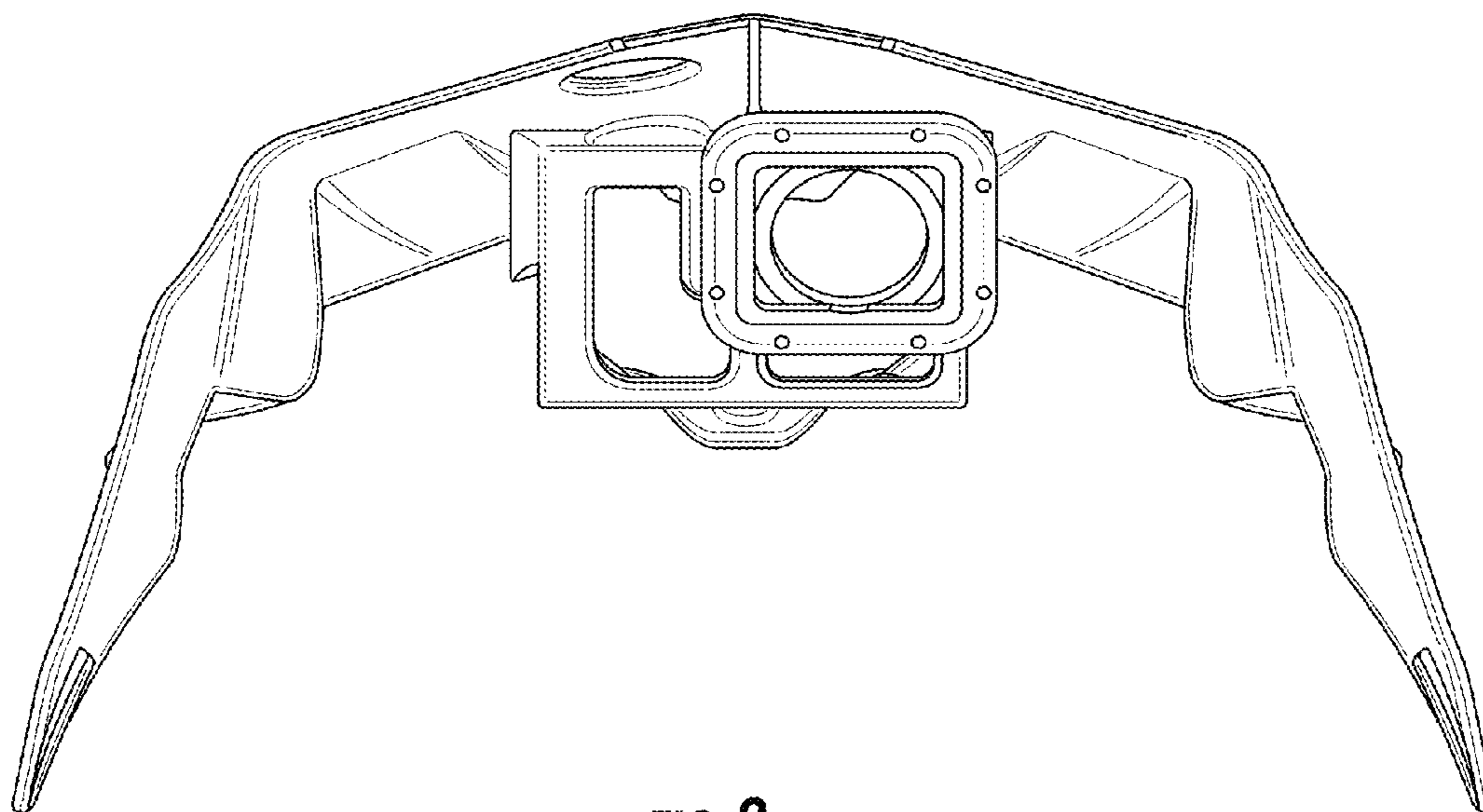
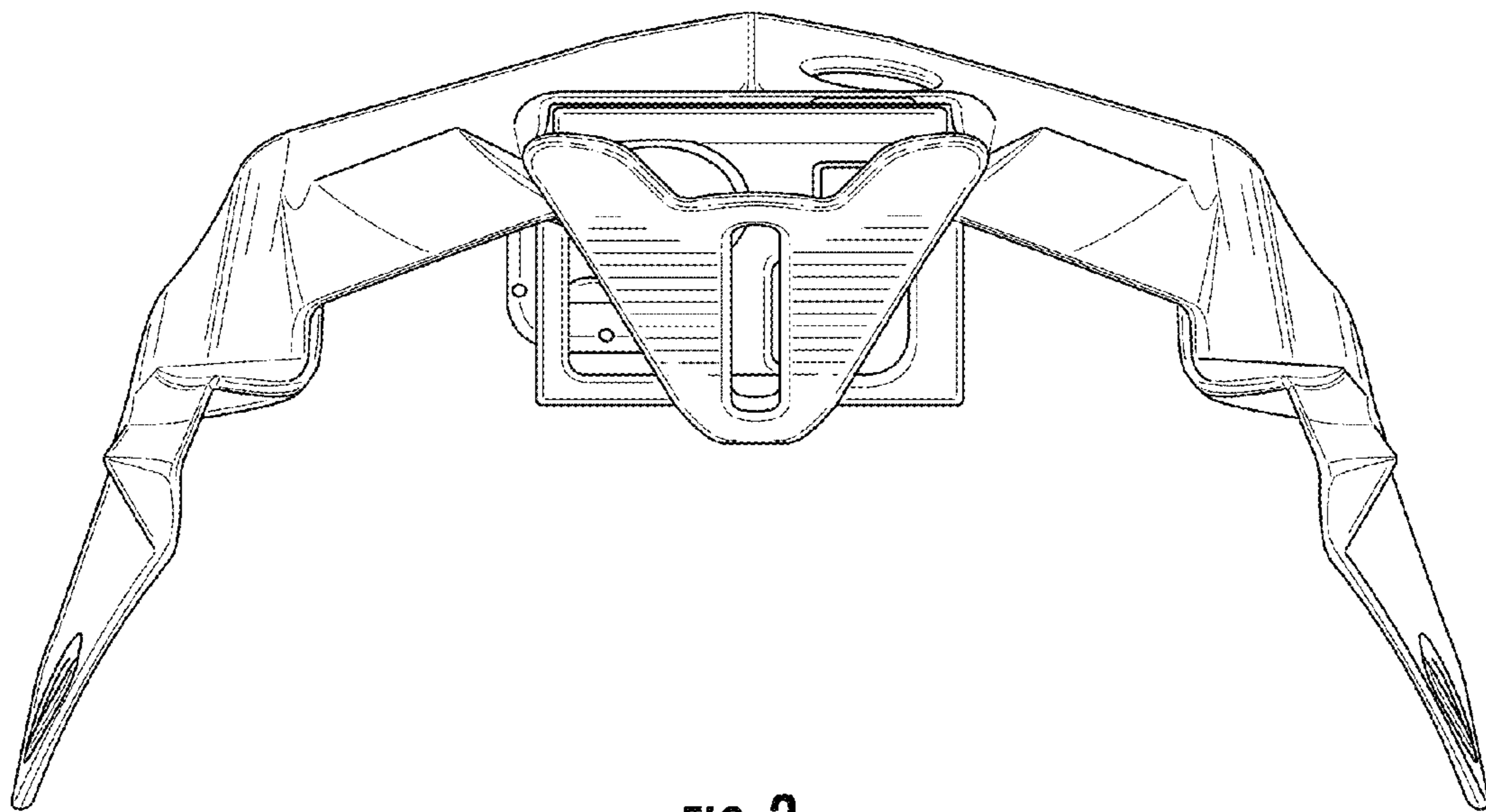


FIG. 2



**FIG. 3**

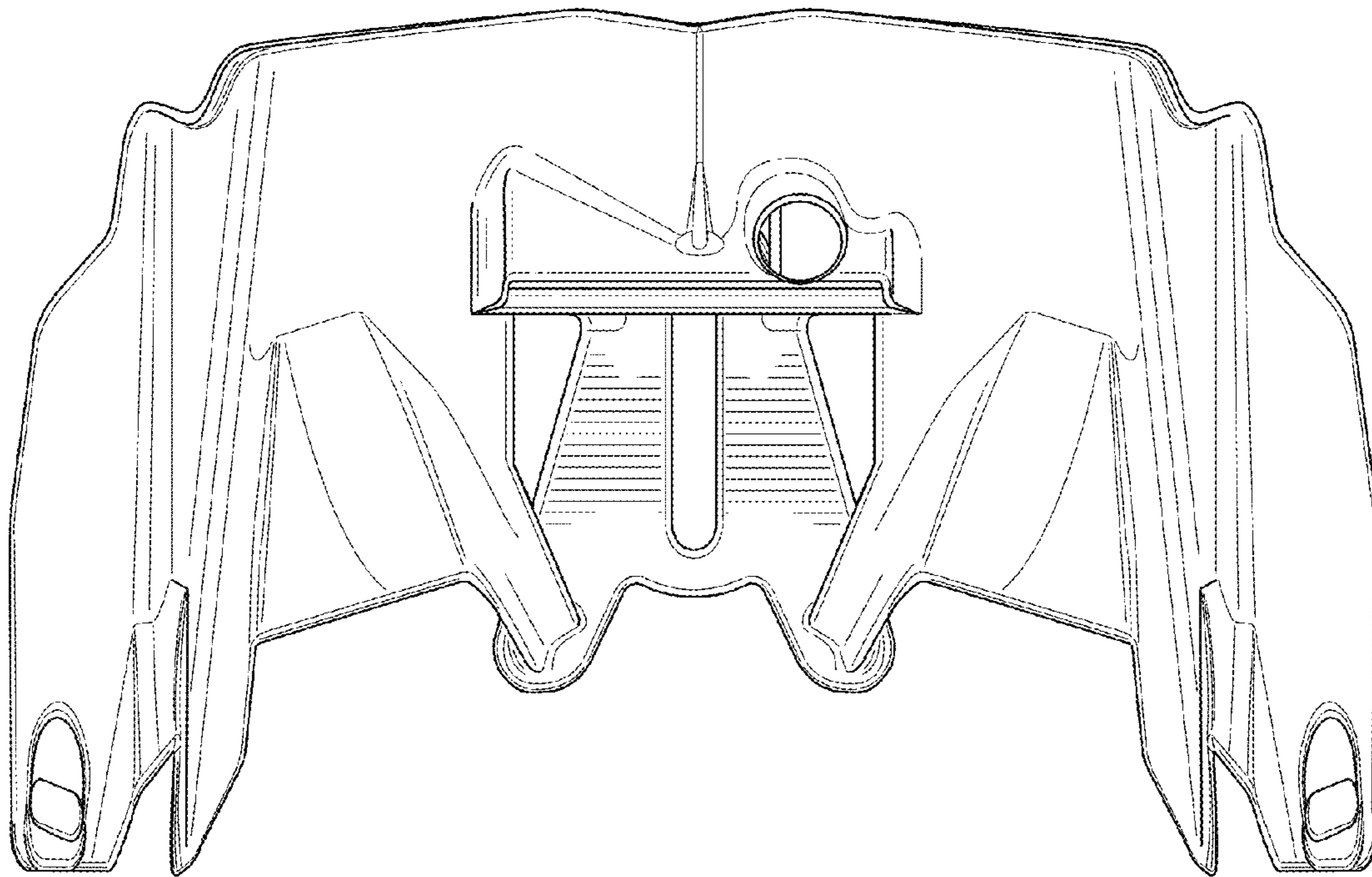


FIG. 4

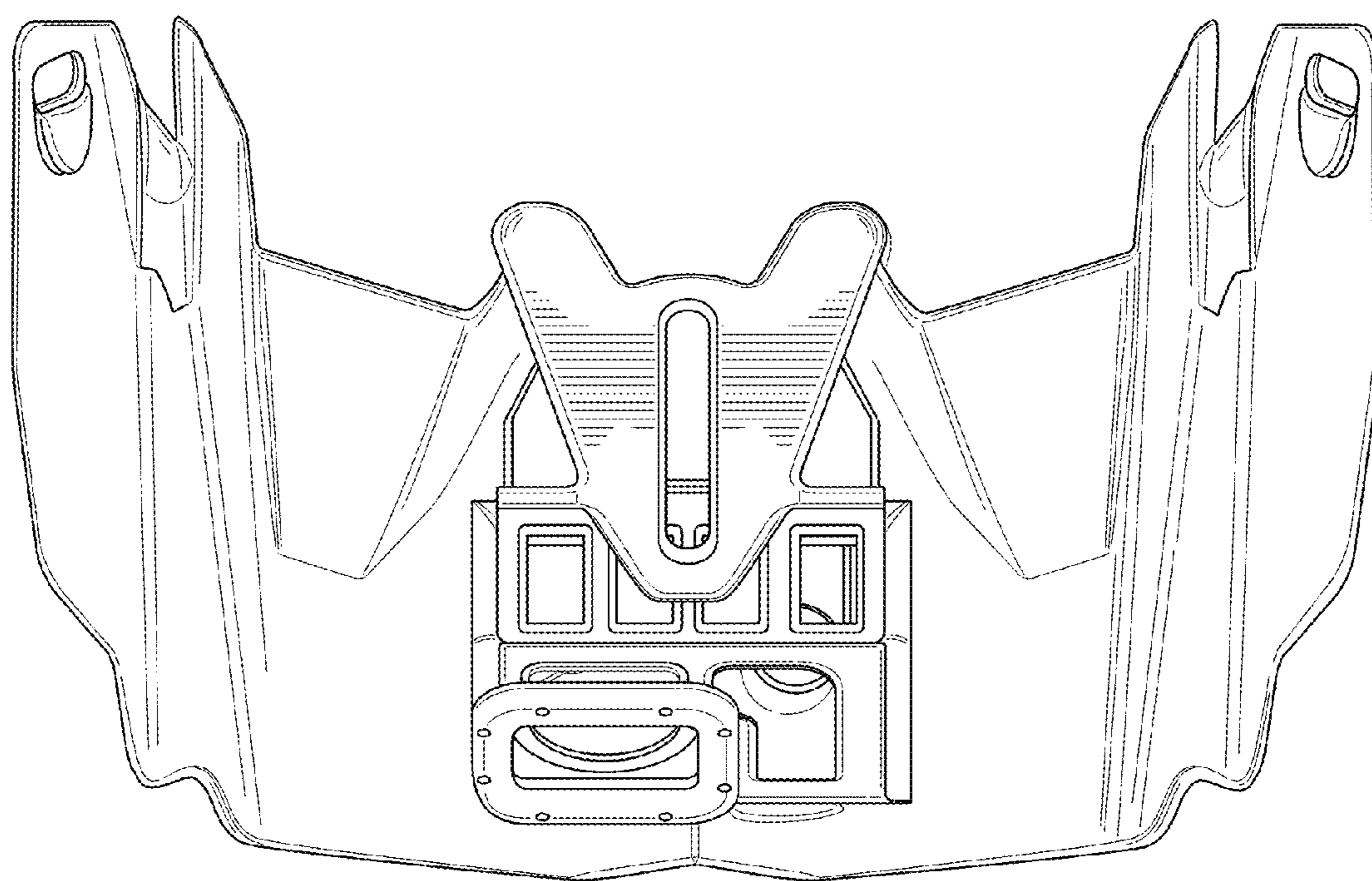
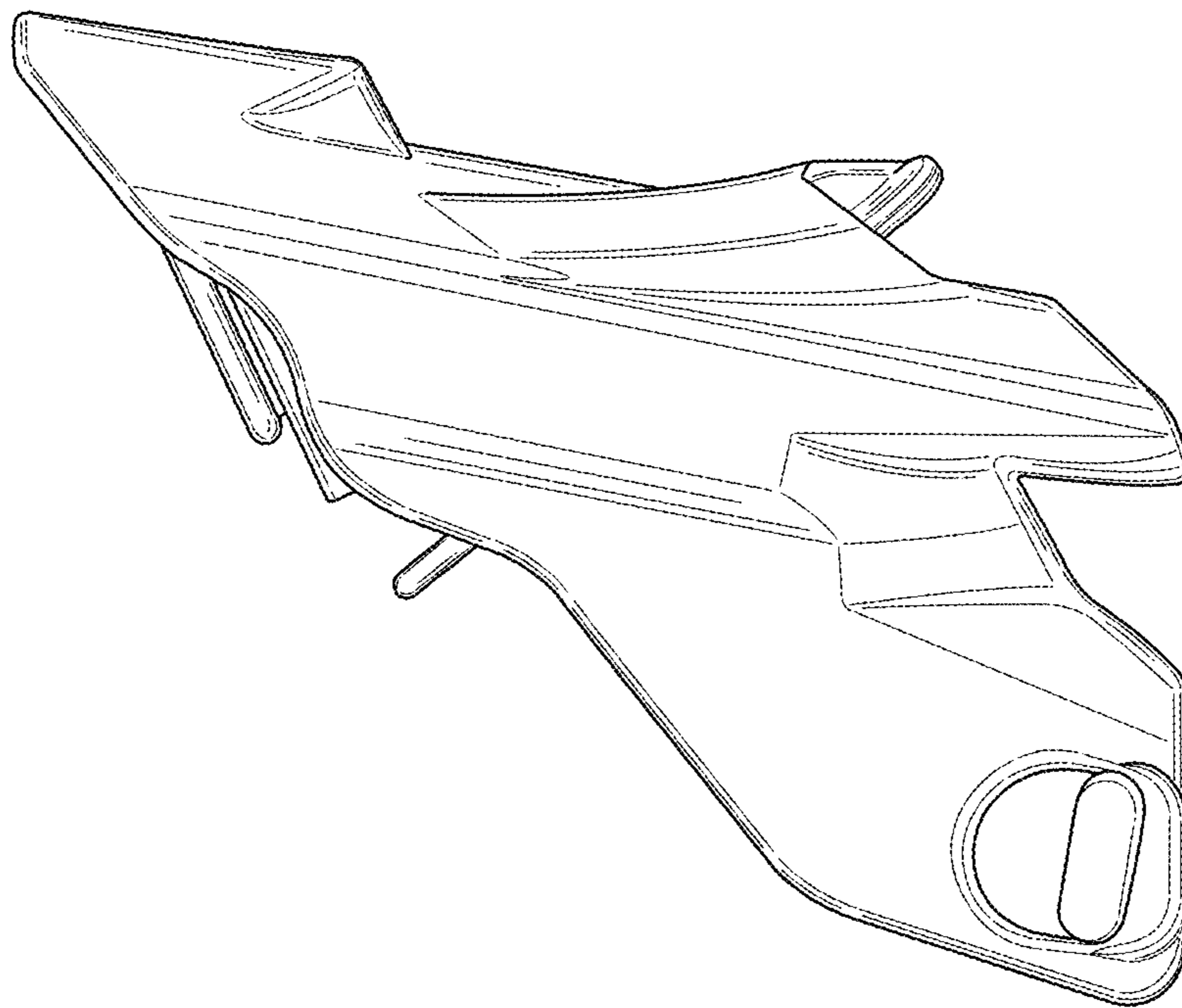
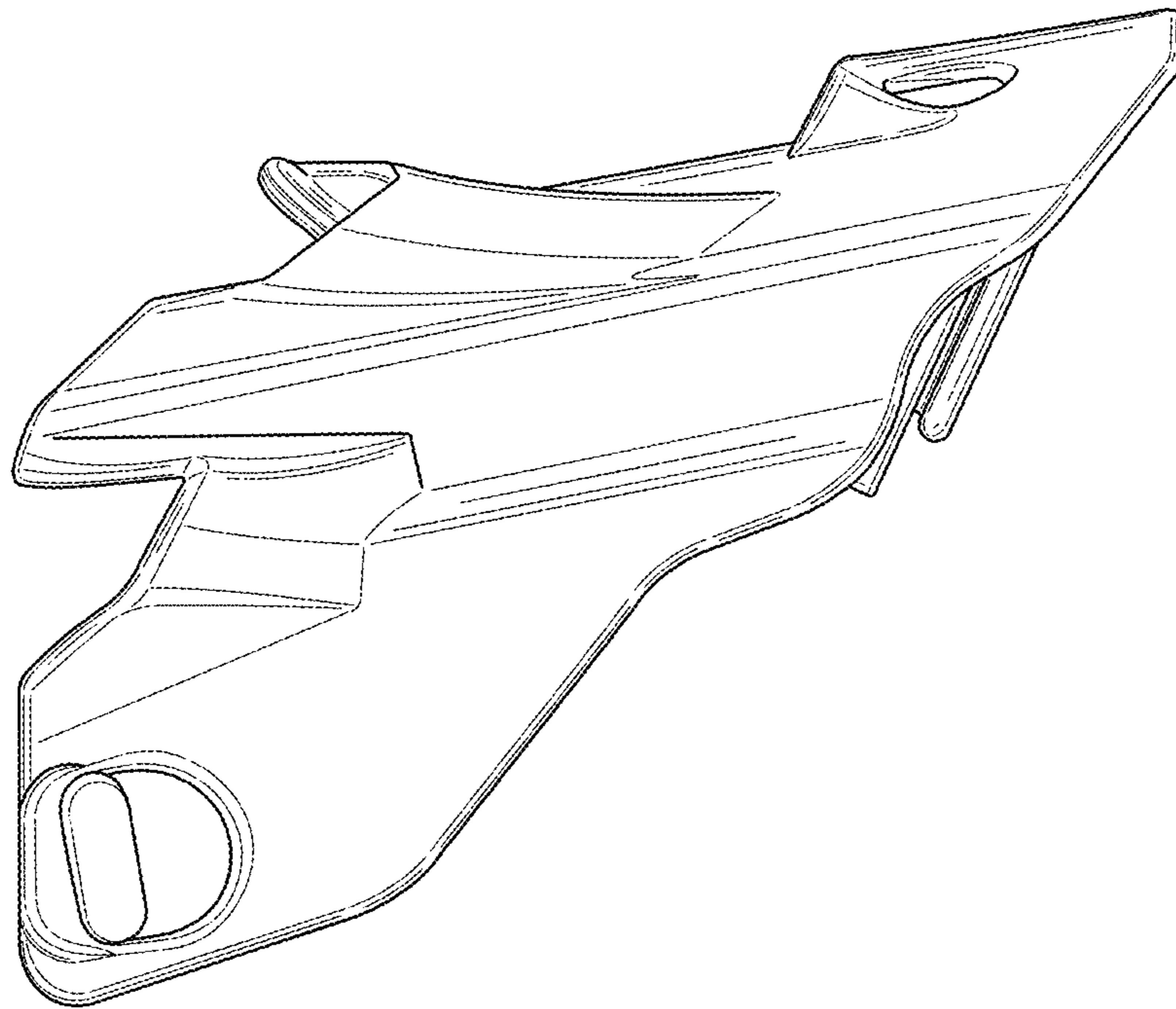


FIG. 5



**FIG. 6**



**FIG. 7**