



US00D741014S

(12) **United States Design Patent**  
**Hurtado**

(10) **Patent No.:** **US D741,014 S**  
(45) **Date of Patent:** **\*\* Oct. 13, 2015**

(54) **RAZOR CARTRIDGE**

(71) Applicant: **The Gillette Company**, Boston, MA  
(US)

(72) Inventor: **Armando Miguel Hurtado**, Boston,  
MA (US)

(73) Assignee: **The Gillette Company**, Boston, MA  
(US)

(\*\*) Term: **14 Years**

(21) Appl. No.: **29/496,827**

(22) Filed: **Jul. 17, 2014**

(51) **LOC (10) Cl.** ..... **28-03**

(52) **U.S. Cl.**  
USPC ..... **D28/47**

(58) **Field of Classification Search**  
USPC ..... D28/44–48  
CPC ..... B26B 21/00–21/12; B26B 21/14;  
B26B 21/16; B26B 21/18; B26B  
21/20–21/227; B26B 21/4062; B26B 21/4068;  
B26B 21/4075; B26B 21/52–21/528  
See application file for complete search history.

(56) **References Cited**

U.S. PATENT DOCUMENTS

D422,751	S	*	4/2000	Gray	.....	D28/47
6,243,951	B1	*	6/2001	Oldroyd	.....	30/34.2
D514,253	S	*	1/2006	Gray	.....	D28/47
D575,454	S	*	8/2008	Keene et al.	.....	D28/47
D629,564	S	*	12/2010	Jung	.....	D28/47
D631,198	S	*	1/2011	Adams et al.	.....	D28/47
D633,253	S	*	2/2011	Wonderley et al.	.....	D28/47
D643,977	S	*	8/2011	Wonderley et al.	.....	D28/47
D648,075	S	*	11/2011	Wonderley et al.	.....	D28/47

D661,020	S	*	5/2012	Wain et al.	.....	D28/46
2004/0055156	A1	*	3/2004	Brown, Jr.	.....	30/34.1
2004/0118250	A1	*	6/2004	White et al.	.....	76/104.1
2005/0172489	A1	*	8/2005	Aviza	.....	30/32
2008/0172878	A1	*	7/2008	Luxton	.....	30/34.1
2009/0249629	A1	*	10/2009	Aviza et al.	.....	30/41
2010/0122464	A1	*	5/2010	Ndou et al.	.....	30/41
2011/0203113	A1	*	8/2011	Wang	.....	30/41
2012/0159787	A1	*	6/2012	Luxton	.....	30/50
2012/0279070	A1	*	11/2012	Seo	.....	30/34.2
2013/0097872	A1	*	4/2013	Blatter	.....	30/50
2014/0090255	A1	*	4/2014	Wang et al.	.....	30/41

\* cited by examiner

*Primary Examiner* — Jennifer Rivard

(74) *Attorney, Agent, or Firm* — Joanne N. Pappas; Kevin C. Johnson; Steven W. Miller

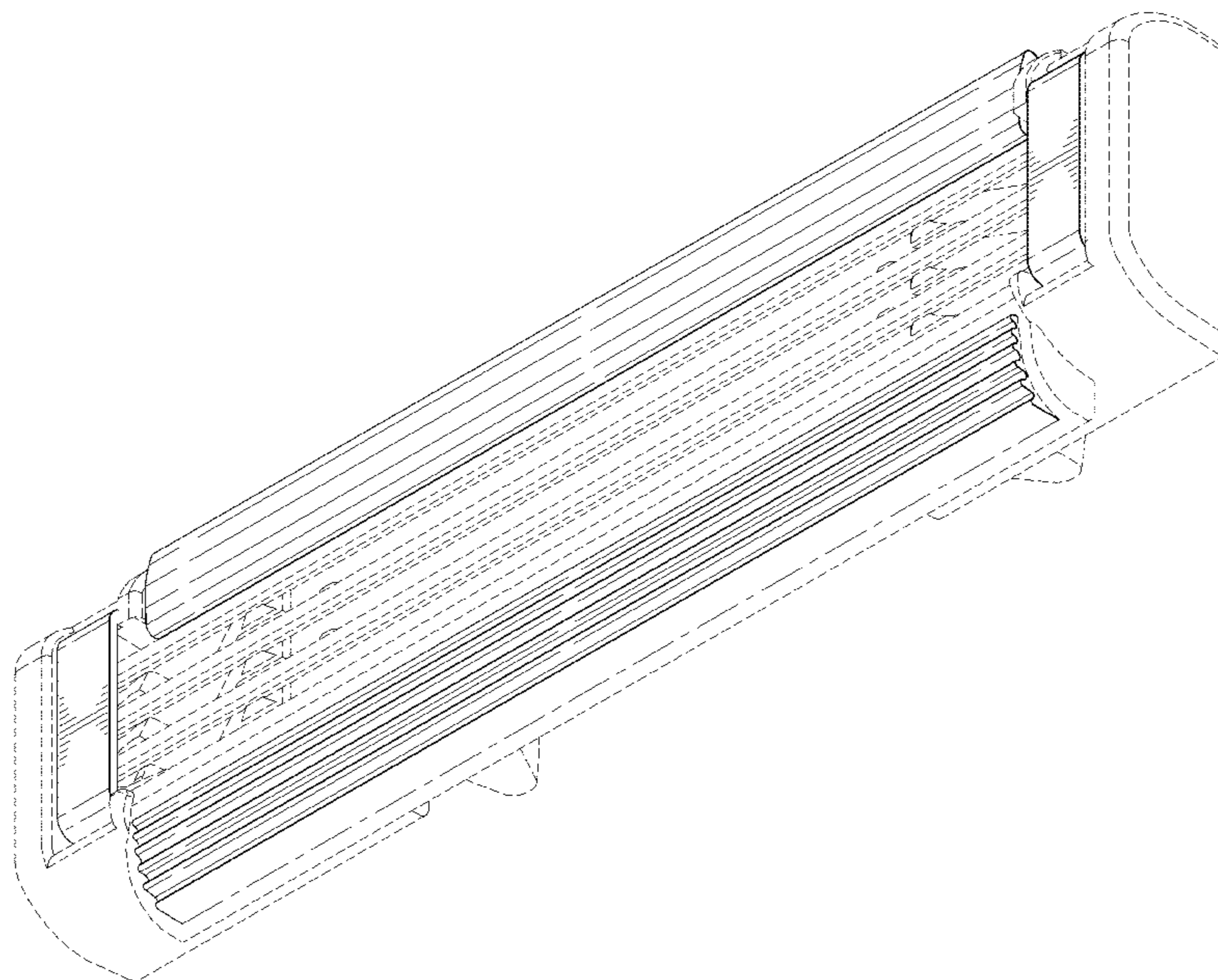
(57) **CLAIM**

The ornamental design for a razor cartridge, as shown and described.

**DESCRIPTION**

FIG. 1 is a top perspective view of a design of a razor cartridge of the present invention;  
FIG. 2 is a front view thereof;  
FIG. 3 is a back view thereof;  
FIG. 4 is a right side view thereof;  
FIG. 5 is a left side view thereof;  
FIG. 6 is a top view thereof;  
FIG. 7 is a bottom view thereof; and,  
FIG. 8 is bottom perspective view thereof.  
The broken lines illustrate portions of the razor cartridge and form no part of the claimed design. The dash dot dash broken lines illustrate the bounds of the claim and form no part of the claimed design.

**1 Claim, 5 Drawing Sheets**



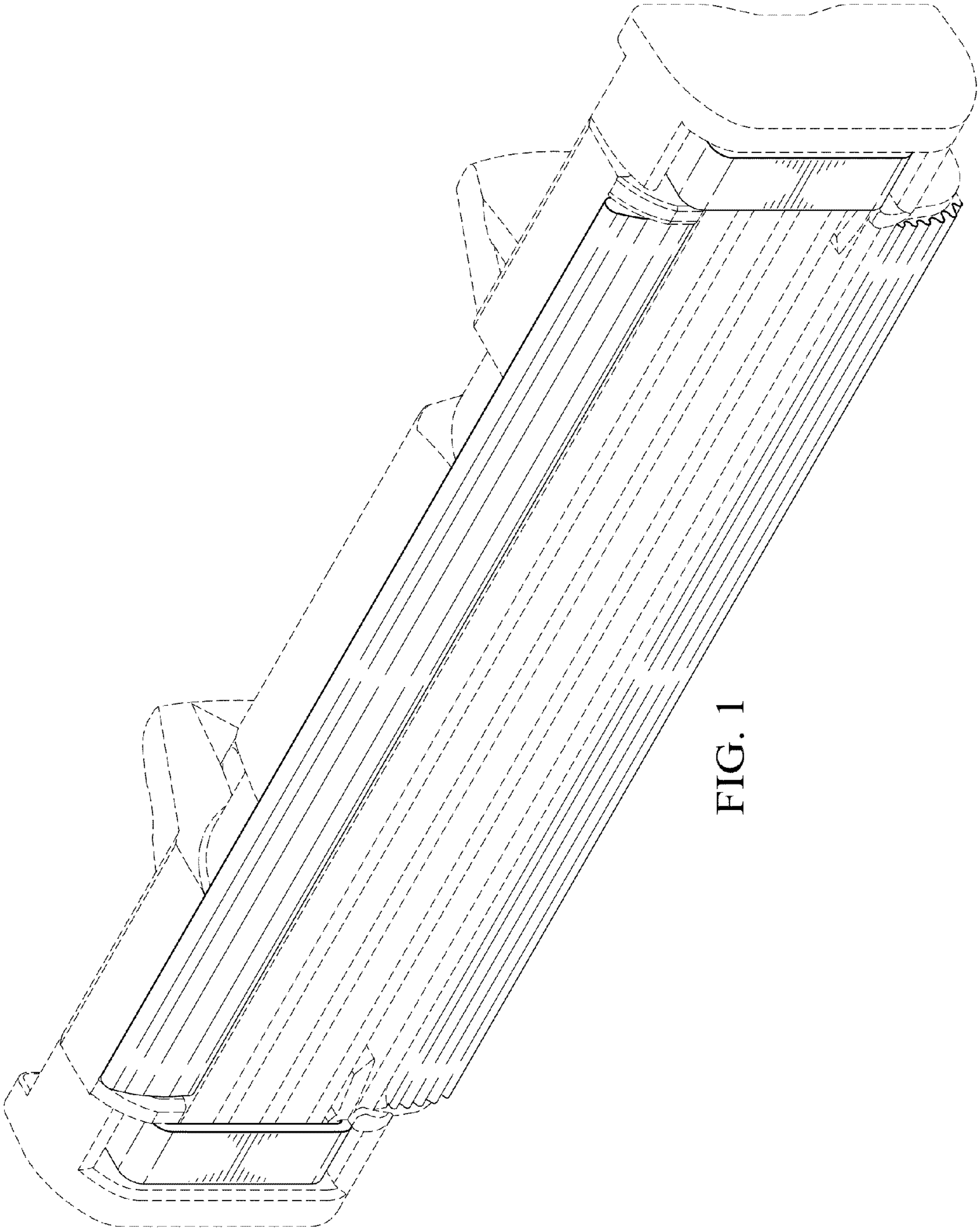


FIG. 1

FIG. 2

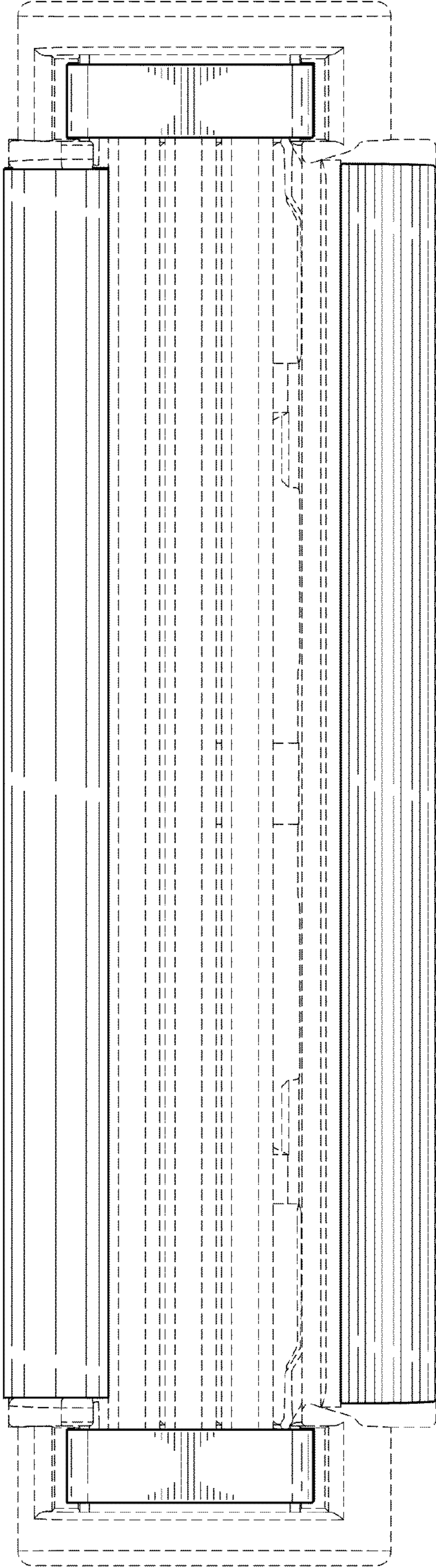


FIG. 3

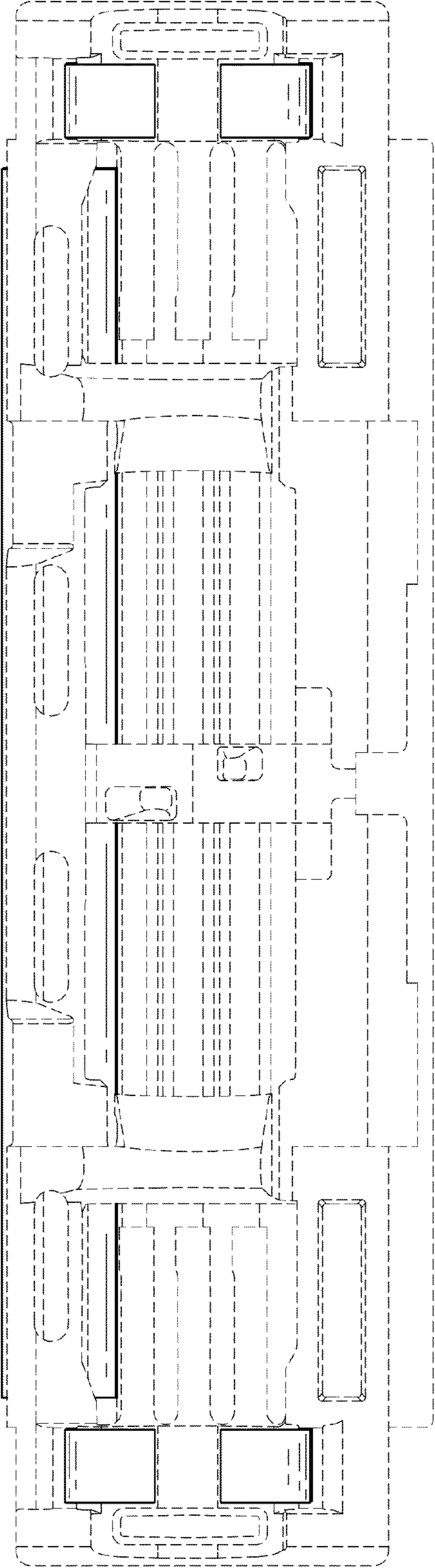


FIG. 5

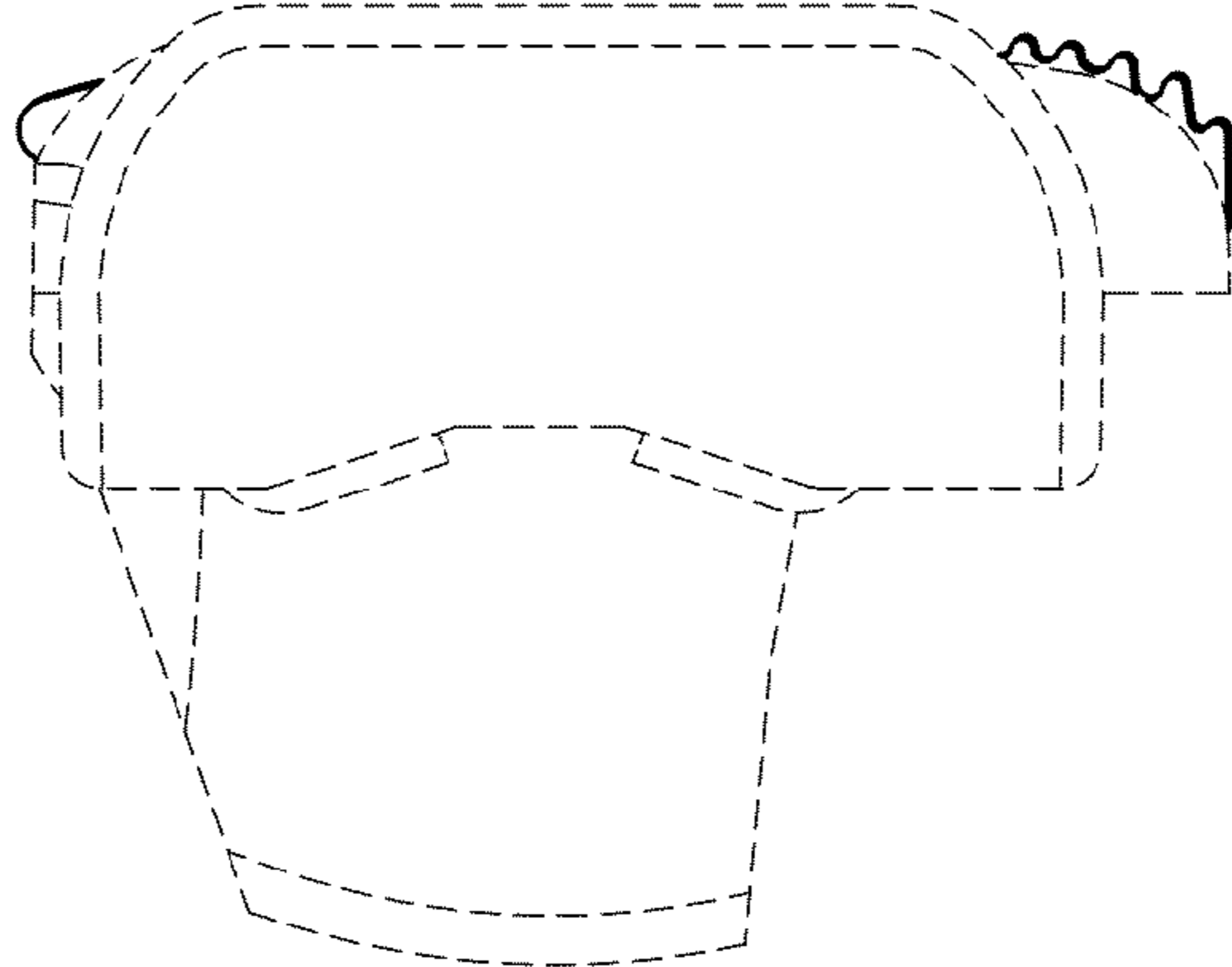


FIG. 4

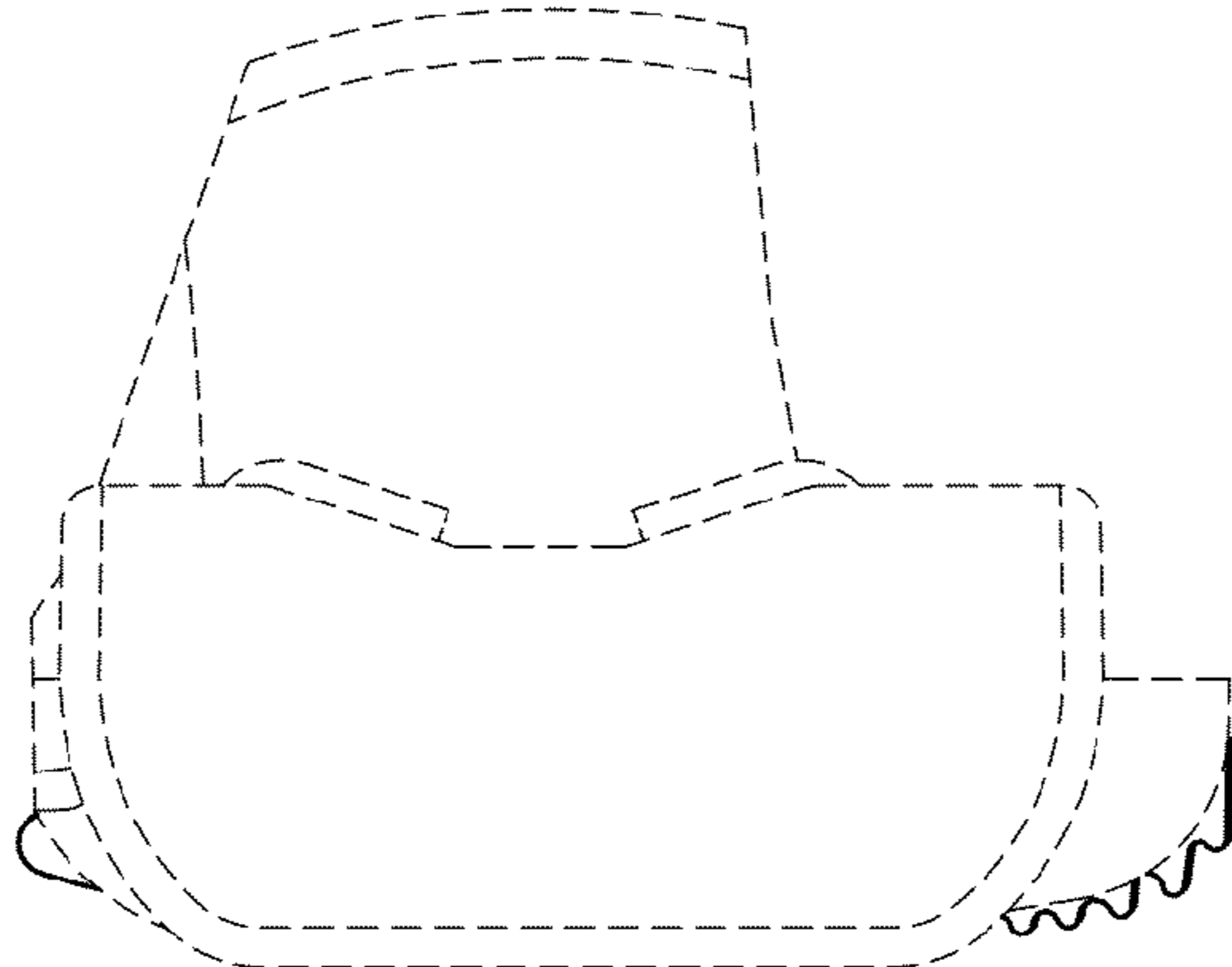


FIG. 6

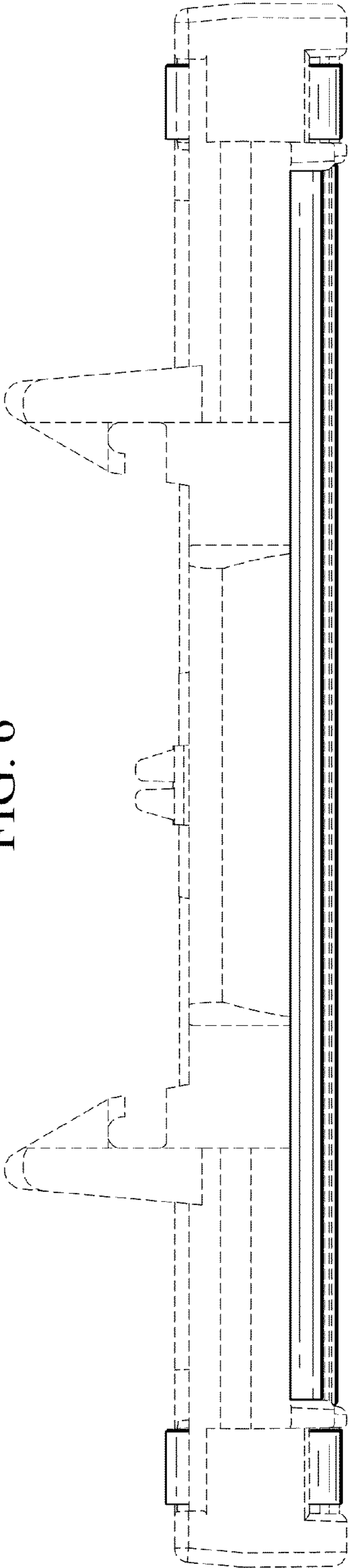
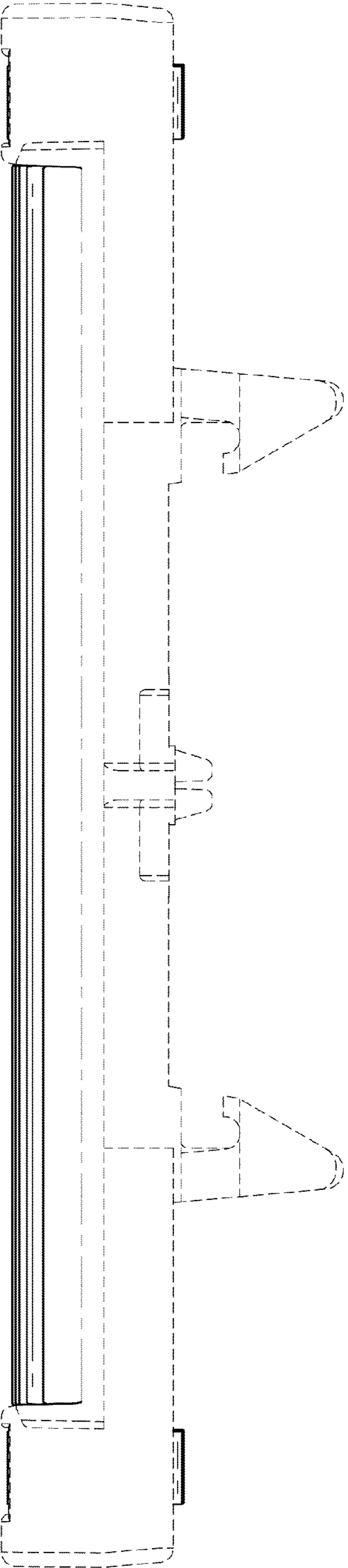


FIG. 7



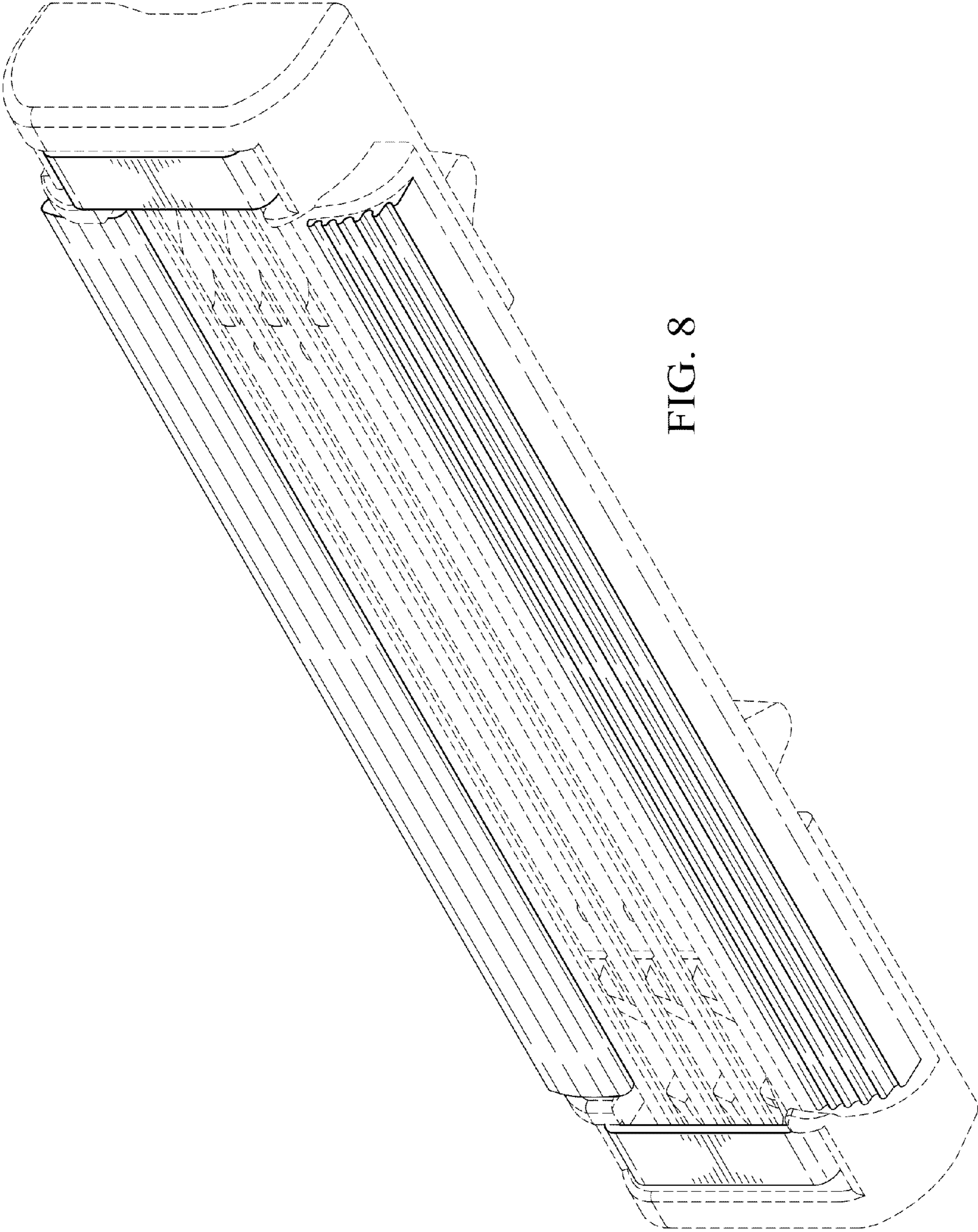


FIG. 8