



US00D741013S

(12) **United States Design Patent**  
**Witkus et al.**

(10) **Patent No.:** **US D741,013 S**  
(45) **Date of Patent:** **\*\* Oct. 13, 2015**

(54) **RAZOR CARTRIDGE**

(71) Applicant: **The Gillette Company**, Boston, MA  
(US)

(72) Inventors: **Stephen Charles Witkus**, Northbridge,  
MA (US); **Neil Lettenberger**, Boston,  
MA (US); **Armando Miguel Hurtado**,  
Boston, MA (US)

(73) Assignee: **The Gillette Company**, Boston, MA  
(US)

(\*\*) Term: **14 Years**

(21) Appl. No.: **29/472,581**

(22) Filed: **Nov. 13, 2013**

(51) **LOC (10) Cl.** ..... **28-03**

(52) **U.S. Cl.**  
USPC ..... **D28/47**

(58) **Field of Classification Search**  
USPC ..... D28/44–48  
CPC ..... B26B 21/00–21/12; B26B 21/14;  
B26B 21/16; B26B 21/165; B26B 21/18;  
B26B 21/185; B26B 21/20–21/227; B26B  
21/24; B26B 21/28; B26B 21/30; B26B  
21/32; B26B 21/40; B26B 21/4062; B26B  
21/4068; B26B 21/4075; B26B 21/52–21/528  
See application file for complete search history.

(56) **References Cited**

**U.S. PATENT DOCUMENTS**

D422,751 S \* 4/2000 Gray ..... D28/47  
6,243,951 B1 \* 6/2001 Oldroyd ..... 30/34.2  
D514,253 S \* 1/2006 Gray ..... D28/47

D575,454 S \* 8/2008 Keene et al. .... D28/47  
D629,564 S \* 12/2010 Jung ..... D28/47  
D631,198 S \* 1/2011 Adams et al. .... D28/47  
D633,253 S \* 2/2011 Wonderley et al. .... D28/47  
D643,977 S \* 8/2011 Wonderley et al. .... D28/47  
D648,075 S \* 11/2011 Wonderley et al. .... D28/47  
D661,020 S \* 5/2012 Wain et al. .... D28/46  
2008/0172878 A1 \* 7/2008 Luxton ..... 30/34.1  
2010/0122464 A1 \* 5/2010 Ndou et al. .... 30/41  
2011/0203113 A1 \* 8/2011 Wang ..... 30/41  
2012/0159787 A1 \* 6/2012 Luxton ..... 30/50  
2012/0279070 A1 \* 11/2012 Seo ..... 30/34.2

\* cited by examiner

*Primary Examiner* — Jennifer Rivard

(74) *Attorney, Agent, or Firm* — Joanne N. Pappas; Kevin C.  
Johnson; Steven W. Miller

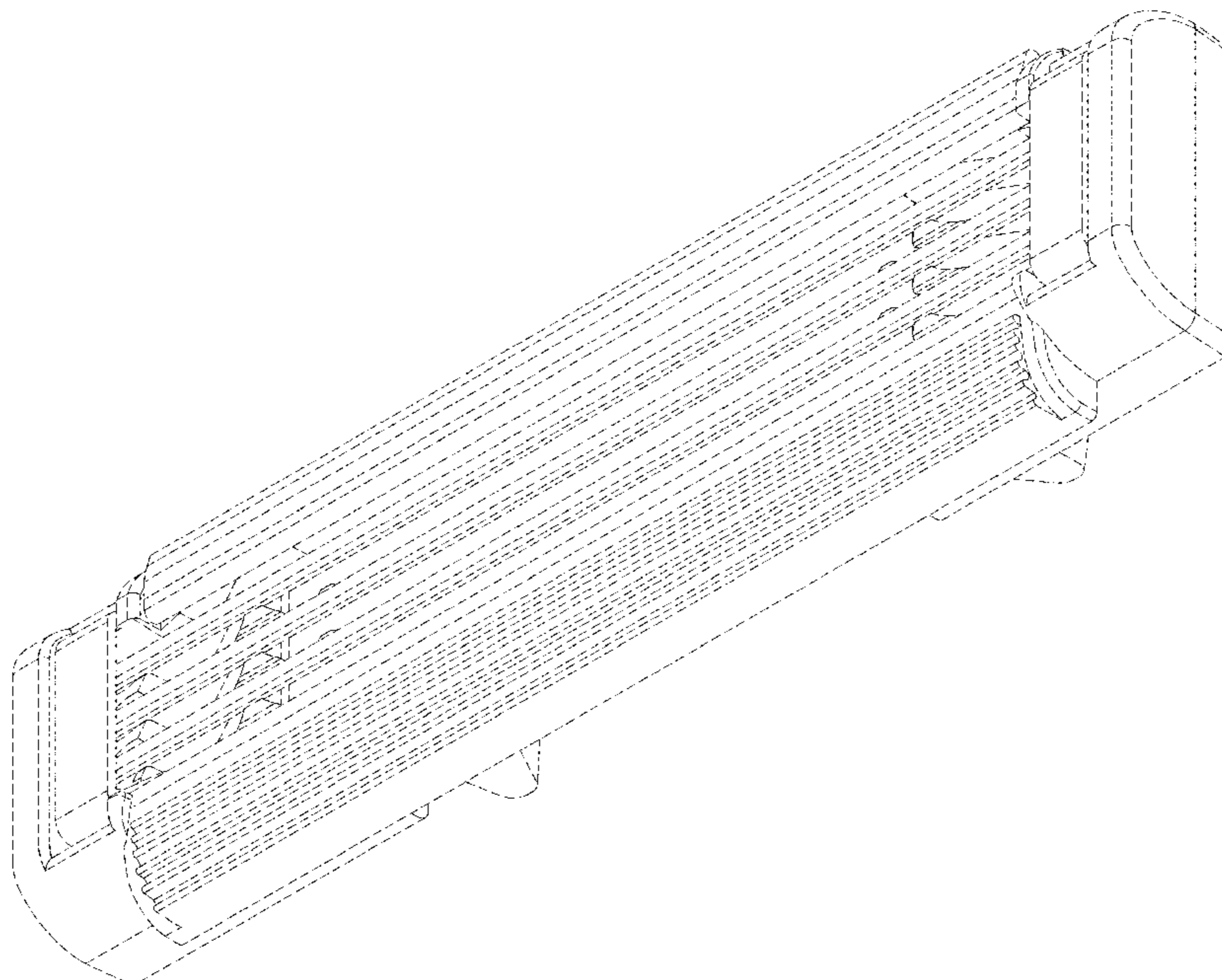
(57) **CLAIM**

The ornamental design for a razor cartridge, as shown and  
described.

**DESCRIPTION**

FIG. 1 is a top perspective view of a design of a housing  
feature for a razor cartridge of the present invention;  
FIG. 2 is a front view thereof;  
FIG. 3 is a back view thereof;  
FIG. 4 is a right side view thereof;  
FIG. 5 is a left side view thereof;  
FIG. 6 is a top view thereof;  
FIG. 7 is a bottom view thereof; and,  
FIG. 8 is a bottom perspective view thereof.  
The evenly spaced broken lines illustrate portions of the razor  
cartridge. The dash-dot-dot broken lines illustrate the bound-  
ary of the claim. None of the broken lines forms part of the  
claimed design.

**1 Claim, 5 Drawing Sheets**



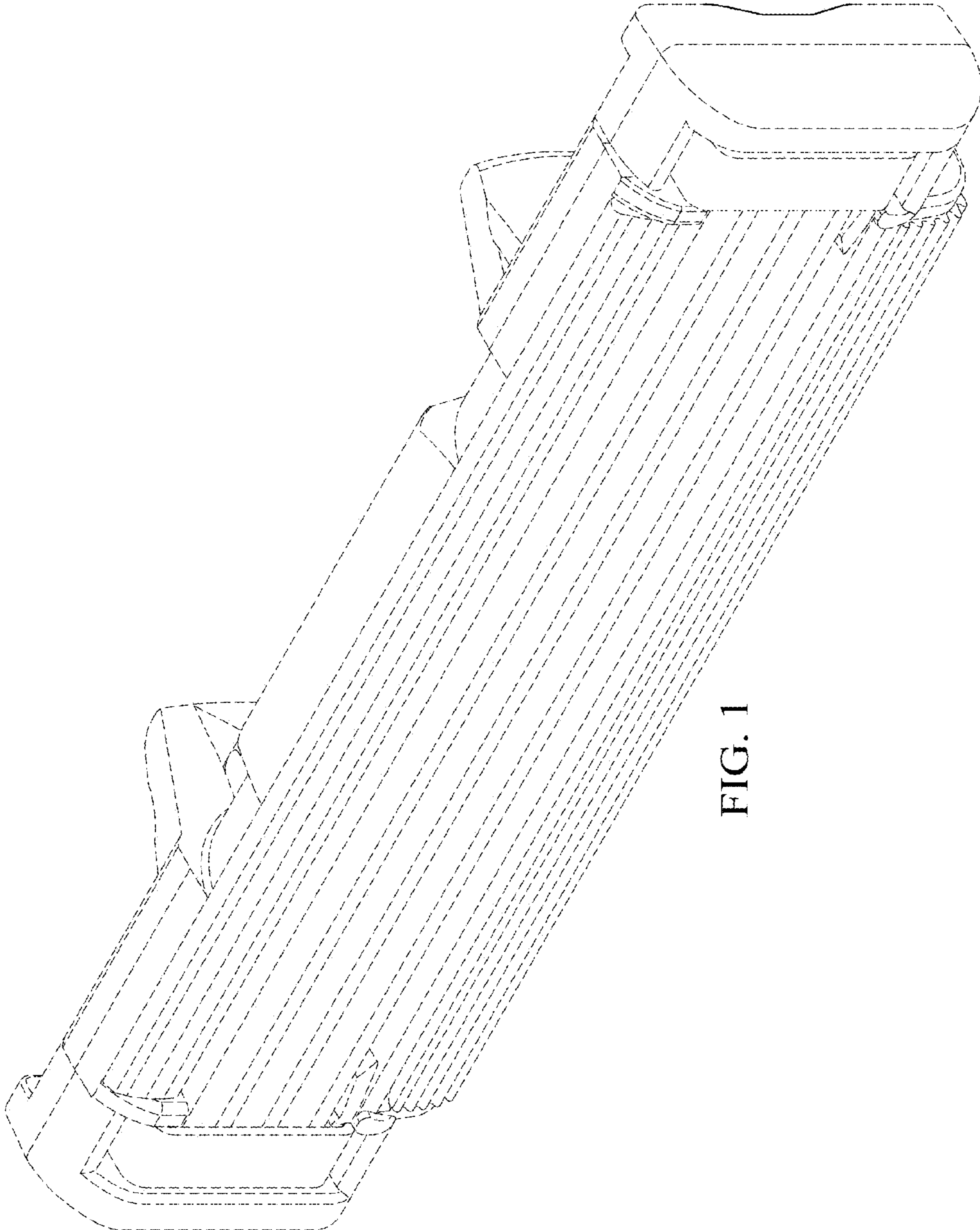


FIG. 1

FIG. 2

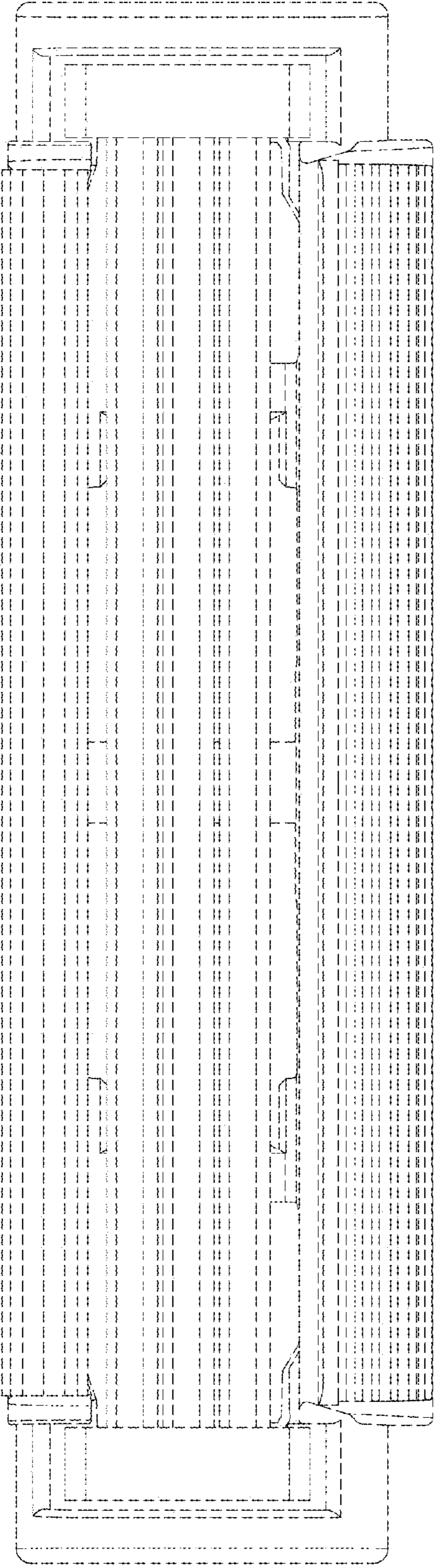


FIG. 3

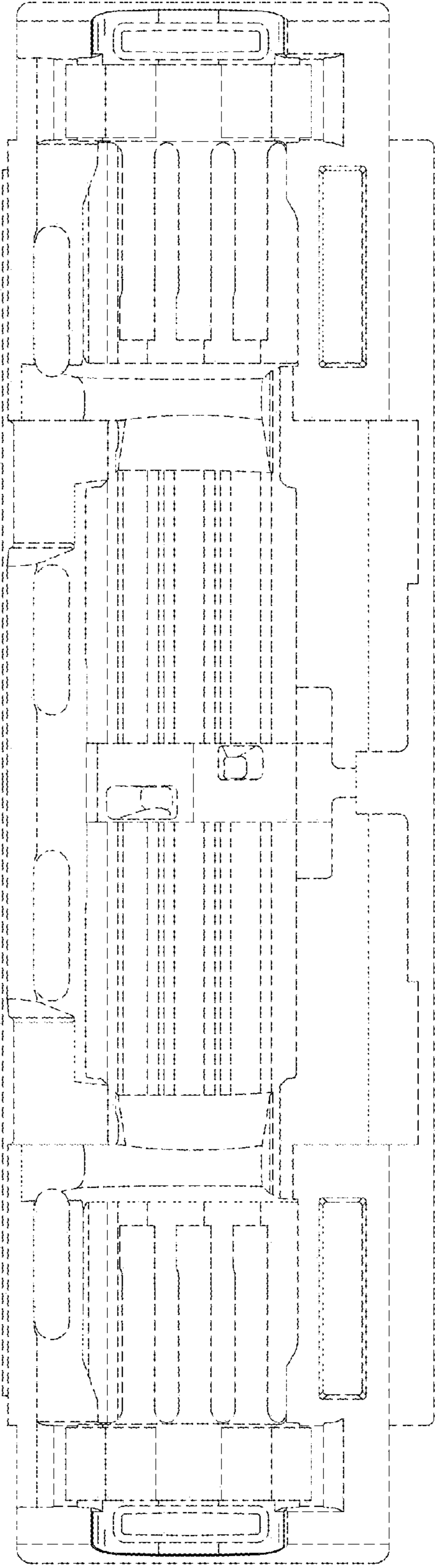


FIG. 5

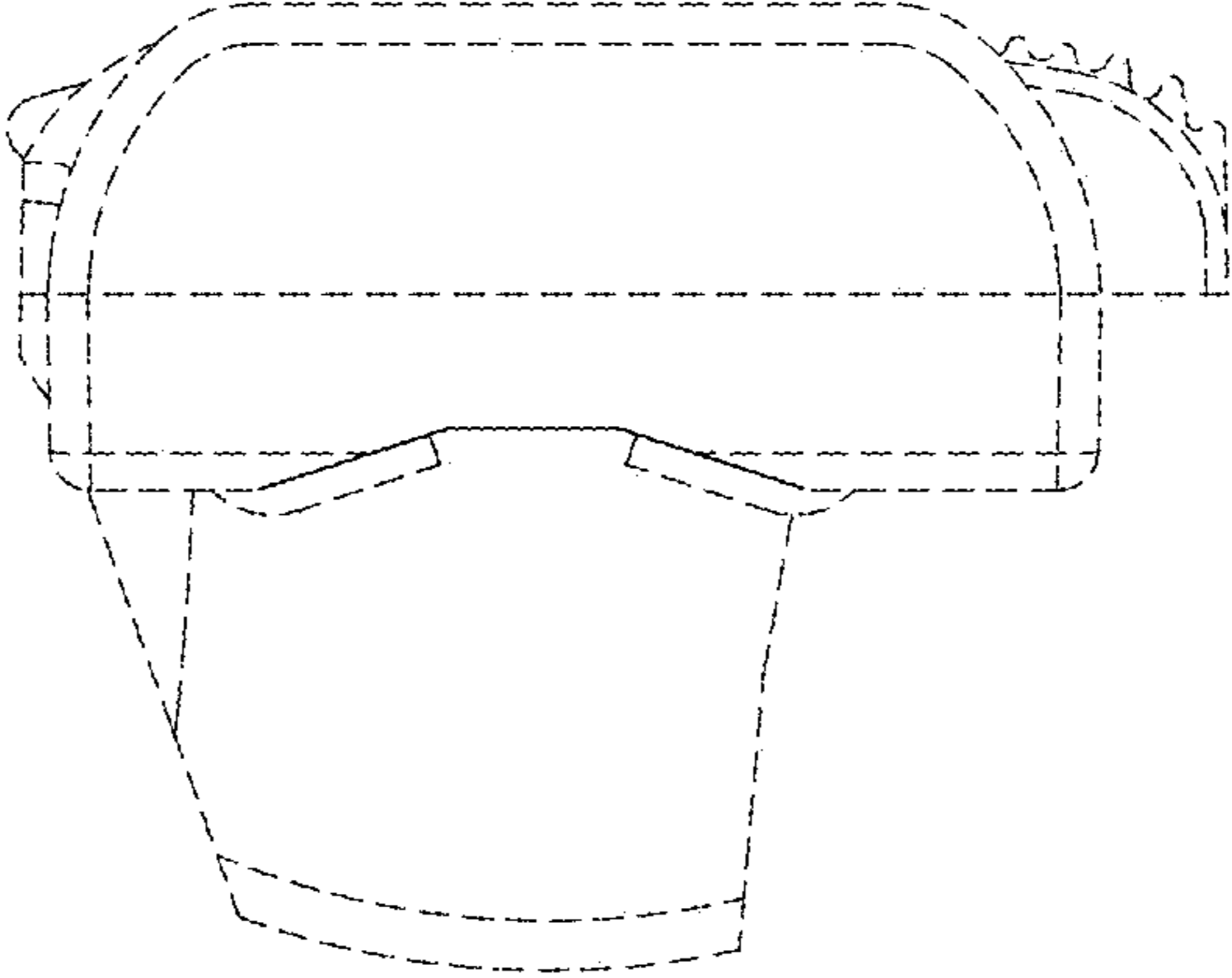


FIG. 4

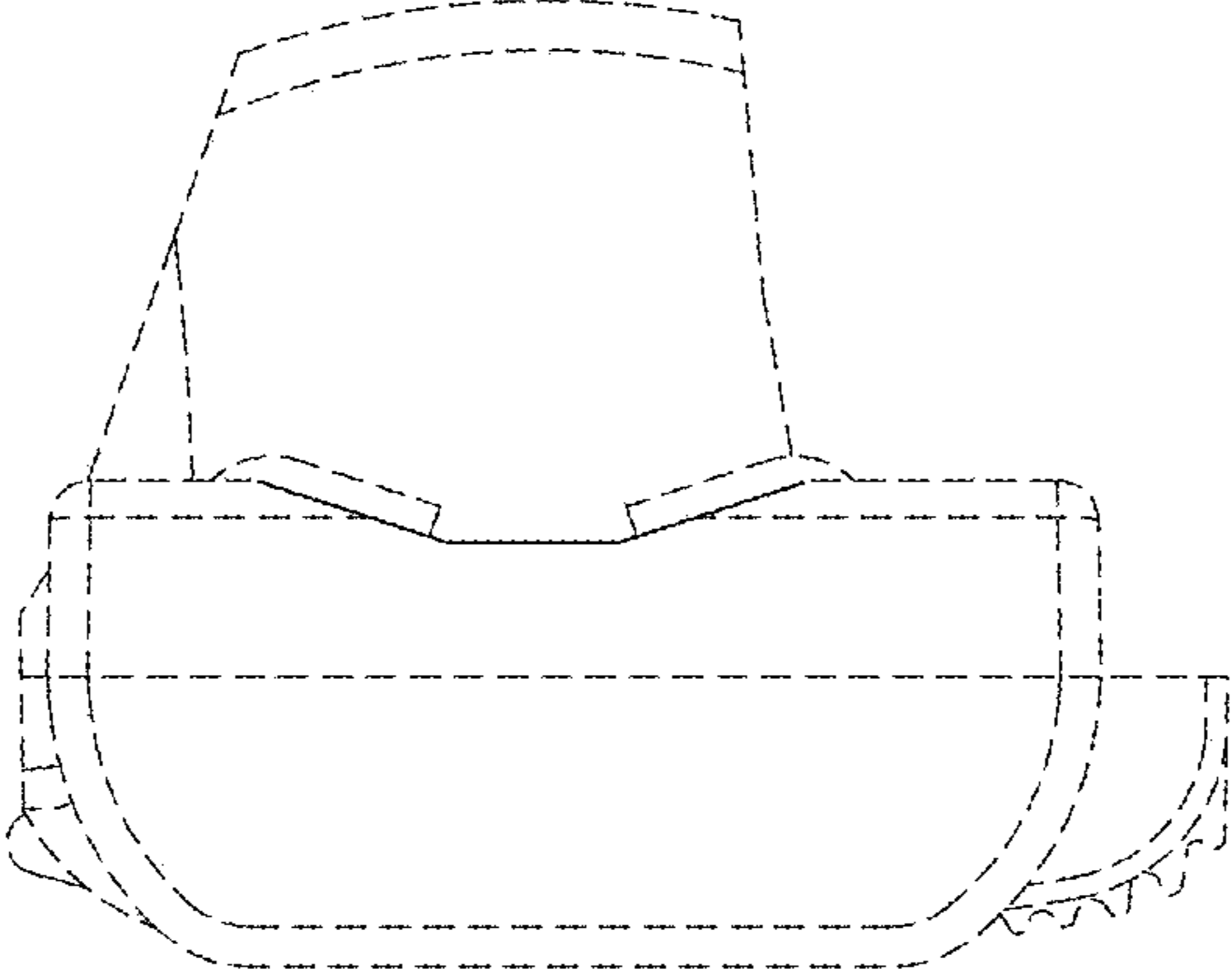


FIG. 6

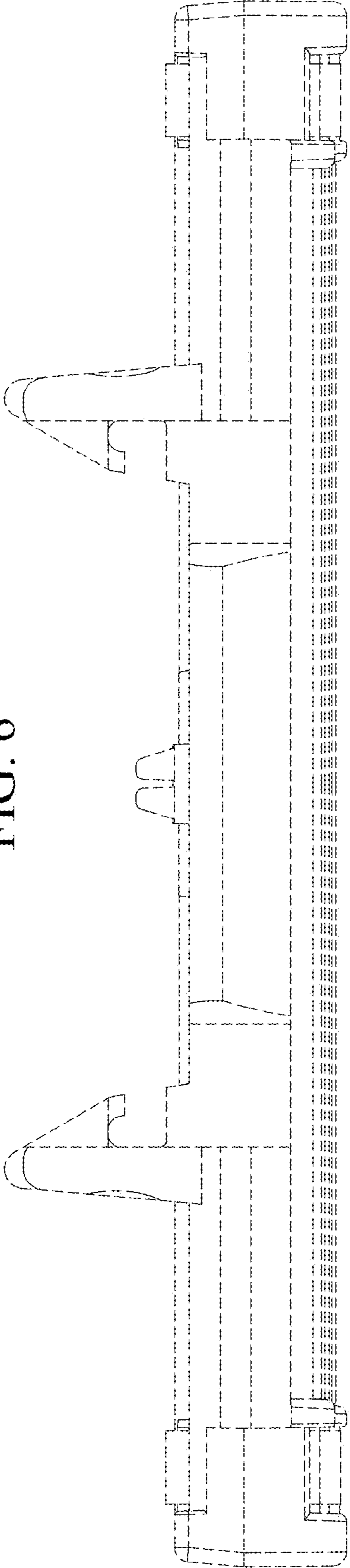
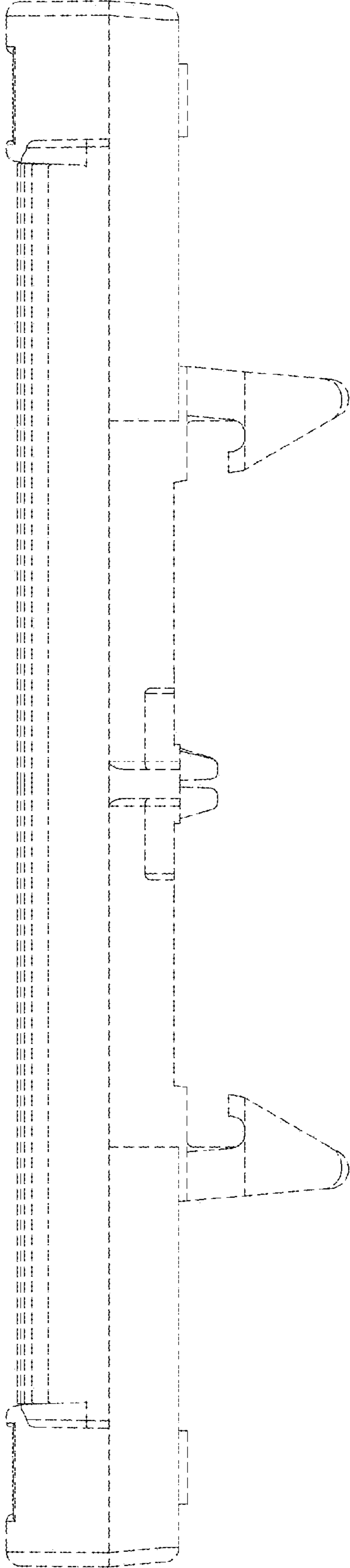


FIG. 7



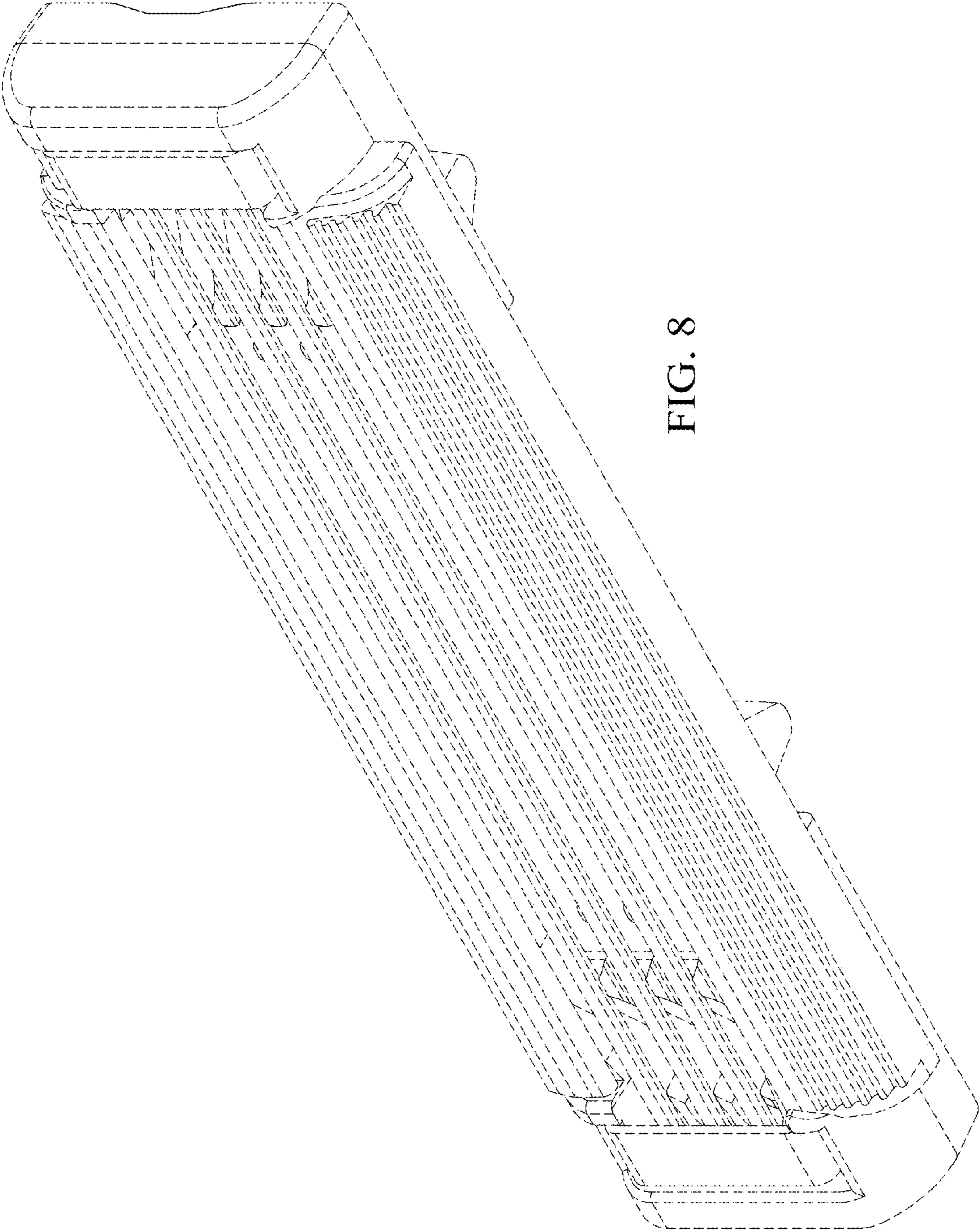


FIG. 8