



US00D741012S

(12) **United States Design Patent**
Witkus et al.

(10) **Patent No.:** **US D741,012 S**
(45) **Date of Patent:** **** Oct. 13, 2015**

(54) **RAZOR GUARD**

(71) Applicant: **The Gillette Company**, Boston, MA
(US)

(72) Inventors: **Stephen Charles Witkus**, Northbridge,
MA (US); **Neil Lettenberger**, Boston,
MA (US); **Armando Miguel Hurtado**,
Boston, MA (US)

(73) Assignee: **The Gillette Company**, Boston, MA
(US)

(**) Term: **14 Years**

(21) Appl. No.: **29/472,580**

(22) Filed: **Nov. 13, 2013**

(51) **LOC (10) Cl.** **28-03**

(52) **U.S. Cl.**
USPC **D28/47**

(58) **Field of Classification Search**
USPC D28/44-48
CPC B26B 21/00-21/12; B26B 21/14;
B26B 21/16; B26B 12/165; B26B 21/18;
B26B 21/185; B26B 21/20-21/227; B26B
21/24; B26B 21/28; B26B 21/30; B26B
21/32; B26B 21/40; B26B 21/4062; B26B
21/4068; B26B 21/4075; B26B 21/52-21/528
See application file for complete search history.

(56) **References Cited**

U.S. PATENT DOCUMENTS

5,113,585	A	5/1992	Rogers et al.	
5,313,706	A	5/1994	Motta et al.	
5,546,660	A	8/1996	Burout et al.	
D422,751	S *	4/2000	Gray	D28/47
6,243,951	B1 *	6/2001	Oldroyd	30/34.2
6,412,176	B1	7/2002	Prochaska et al.	

D514,253	S *	1/2006	Gray	D28/47
7,043,840	B2	5/2006	Walker, Jr. et al.	
D575,454	S *	8/2008	Keene et al.	D28/47
D629,564	S *	12/2010	Jung	D28/47
D631,198	S *	1/2011	Adams et al.	D28/47
D633,253	S *	2/2011	Wonderley et al.	D28/47
D643,977	S *	8/2011	Wonderley et al.	D28/47
D648,075	S *	11/2011	Wonderley et al.	D28/47
D661,020	S *	5/2012	Wain et al.	D28/46
8,186,062	B2	5/2012	Fischer et al.	
2008/0172878	A1 *	7/2008	Luxton	30/34.1
2010/0122464	A1 *	5/2010	Ndou et al.	30/41
2011/0203113	A1 *	8/2011	Wang	30/41
2012/0159787	A1 *	6/2012	Luxton	30/50
2012/0279070	A1 *	11/2012	Seo	30/34.2

* cited by examiner

Primary Examiner — Jennifer Rivard

(74) *Attorney, Agent, or Firm* — Joanne N. Pappas; Kevin C. Johnson; Steven W. Miller

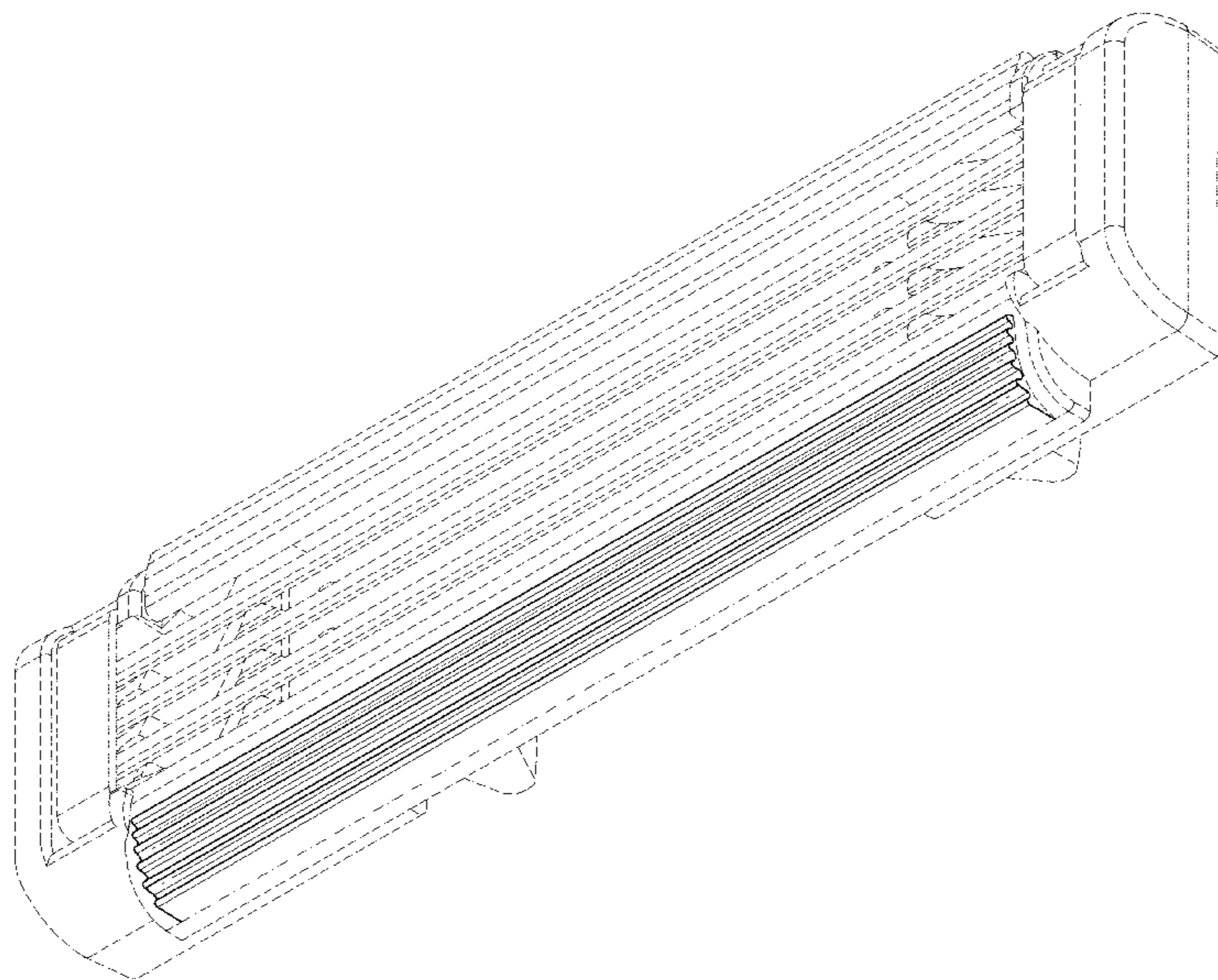
(57) **CLAIM**

The ornamental design for a razor guard, as shown and described.

DESCRIPTION

FIG. 1 is a top perspective view of a design for a razor guard of the present invention;
FIG. 2 is a front view thereof;
FIG. 3 is a back view thereof;
FIG. 4 is a right side view thereof;
FIG. 5 is a left side view thereof;
FIG. 6 is a top view thereof;
FIG. 7 is a bottom view thereof; and,
FIG. 8 is bottom perspective view thereof.
The broken lines illustrate the environment and form no part of the claimed design. The dash dot dash broken lines illustrate the bounds of the claim and form no part of the claimed design.

1 Claim, 5 Drawing Sheets



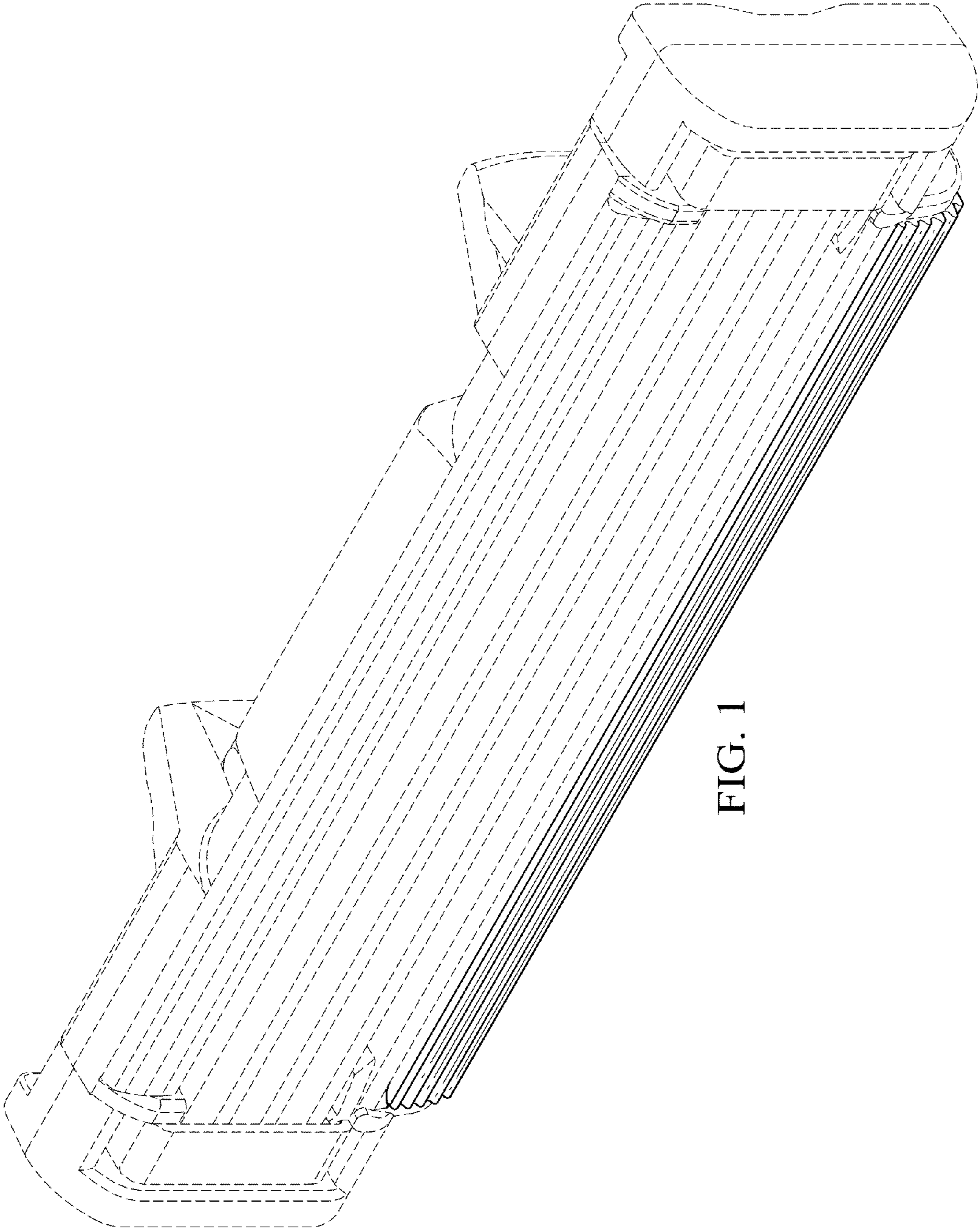


FIG. 1

FIG. 2

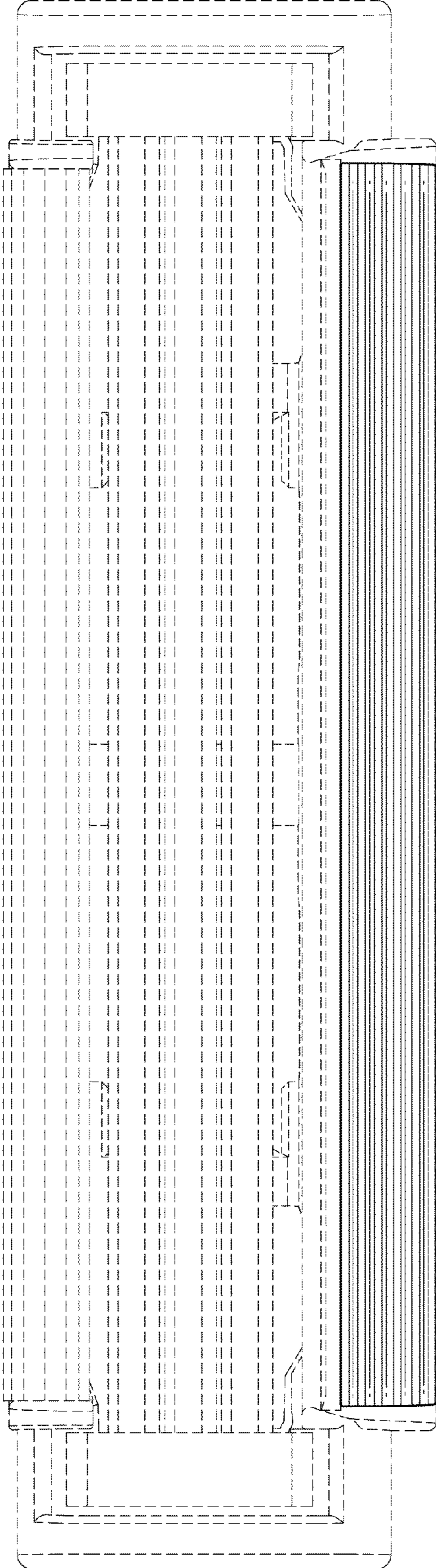


FIG. 3

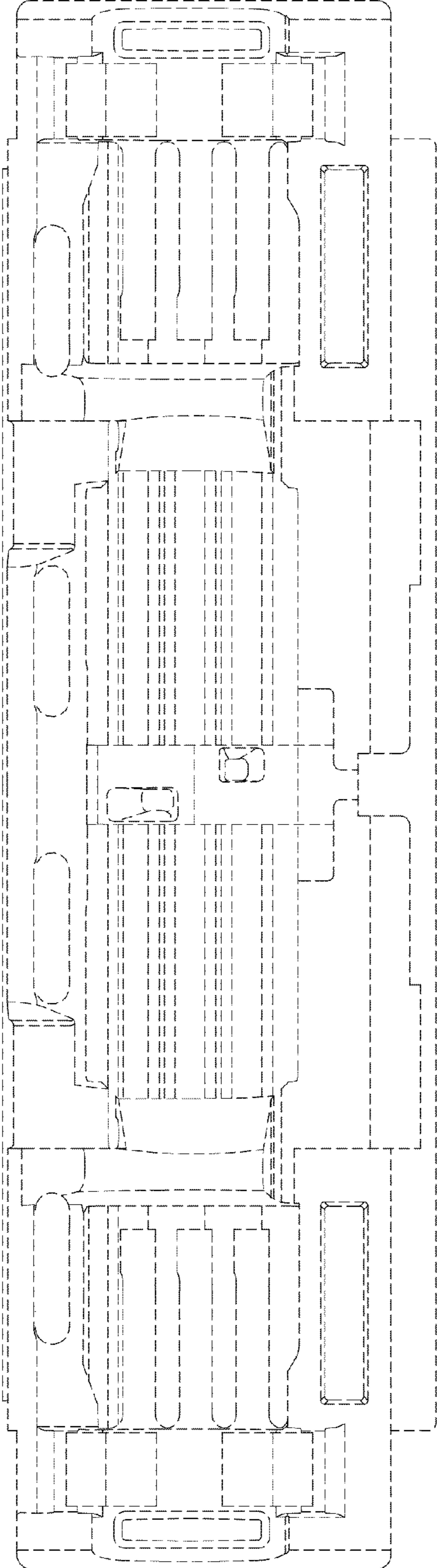


FIG. 5

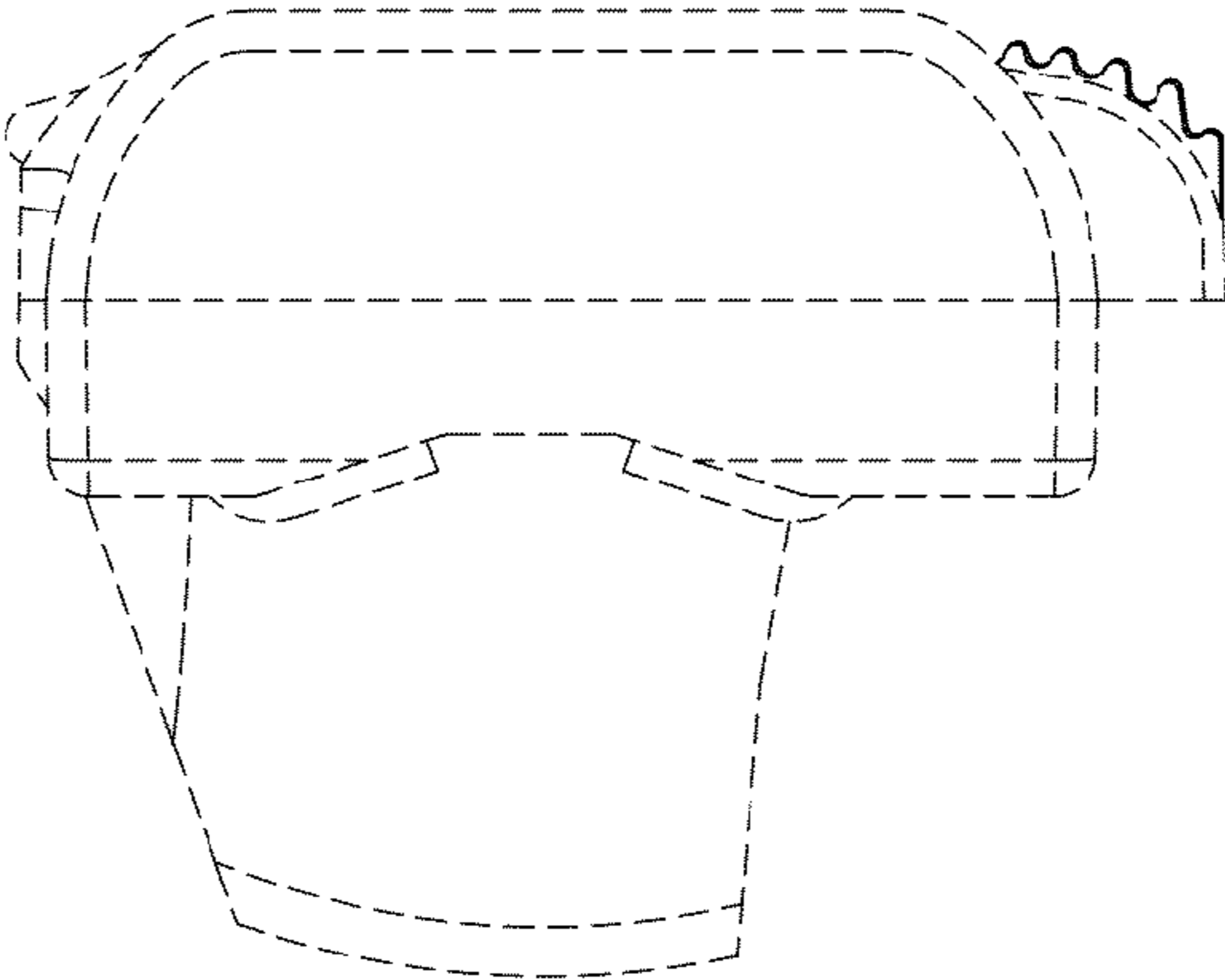


FIG. 4

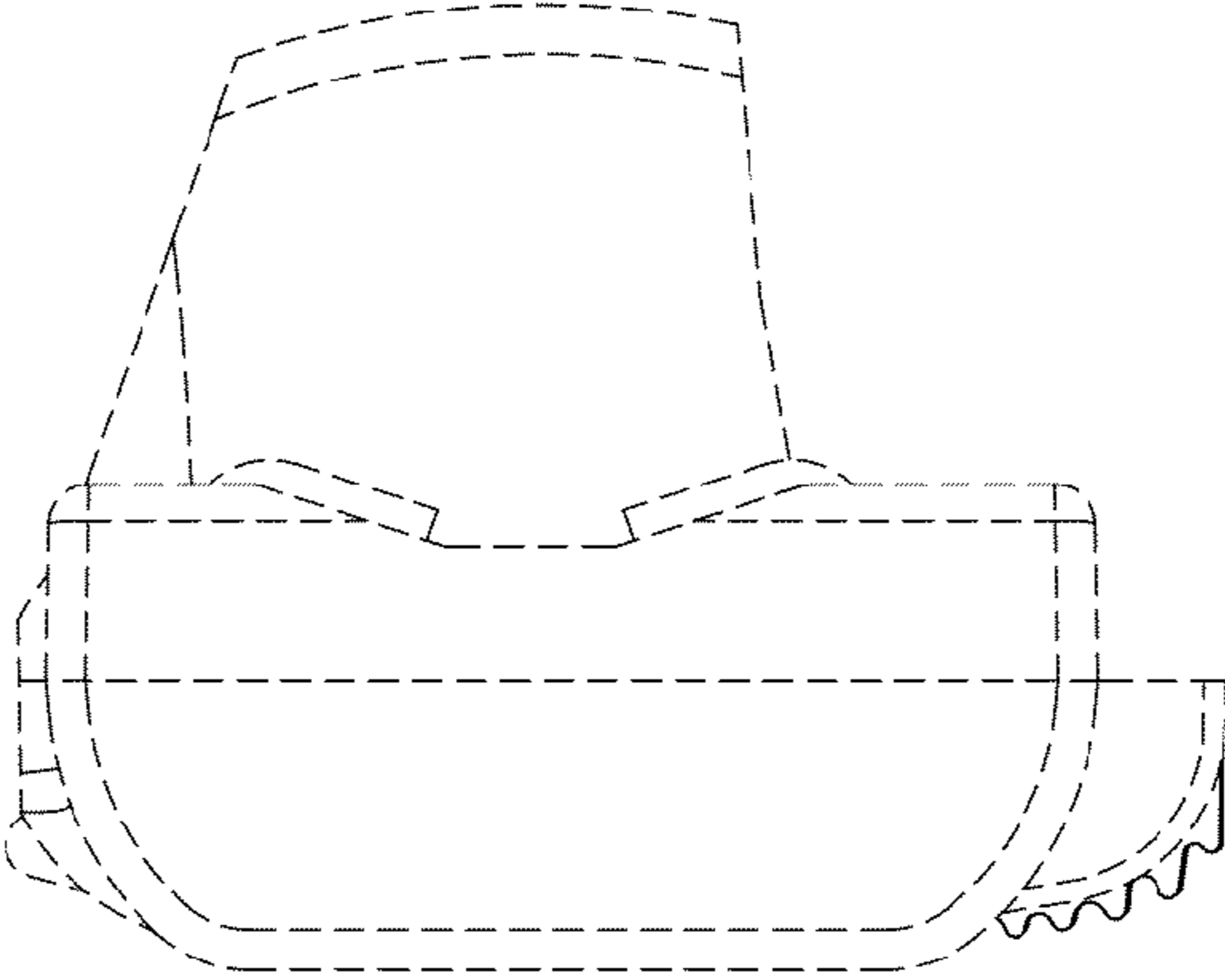


FIG. 6

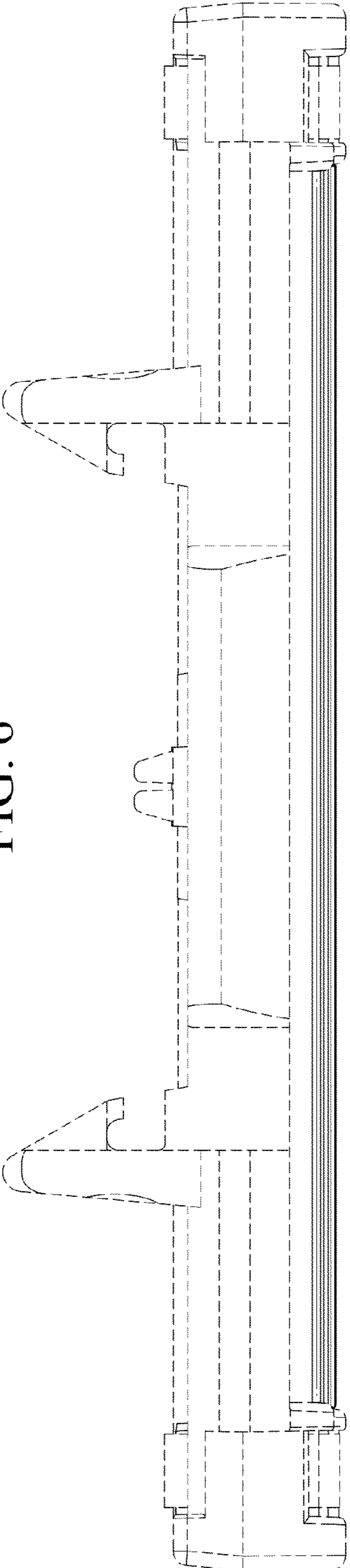
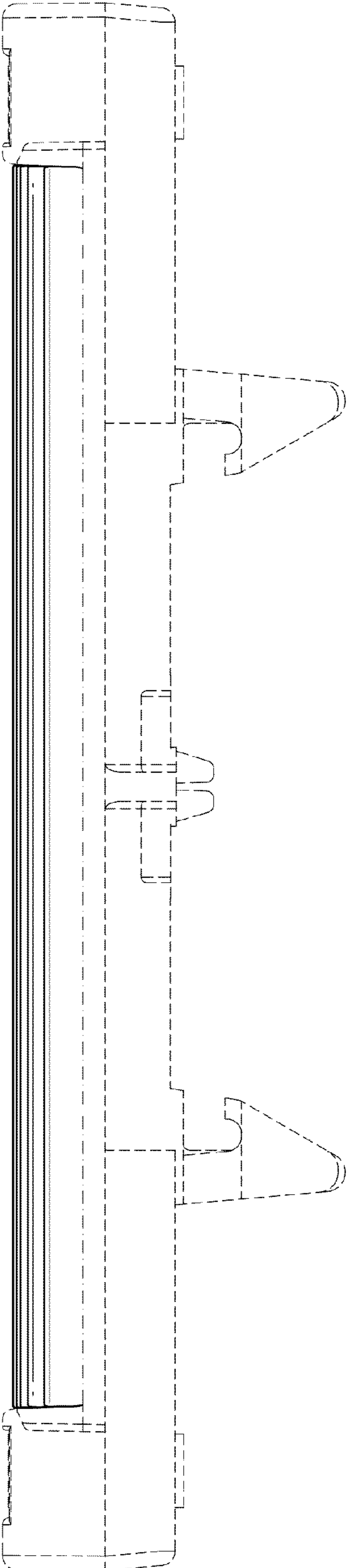


FIG. 7



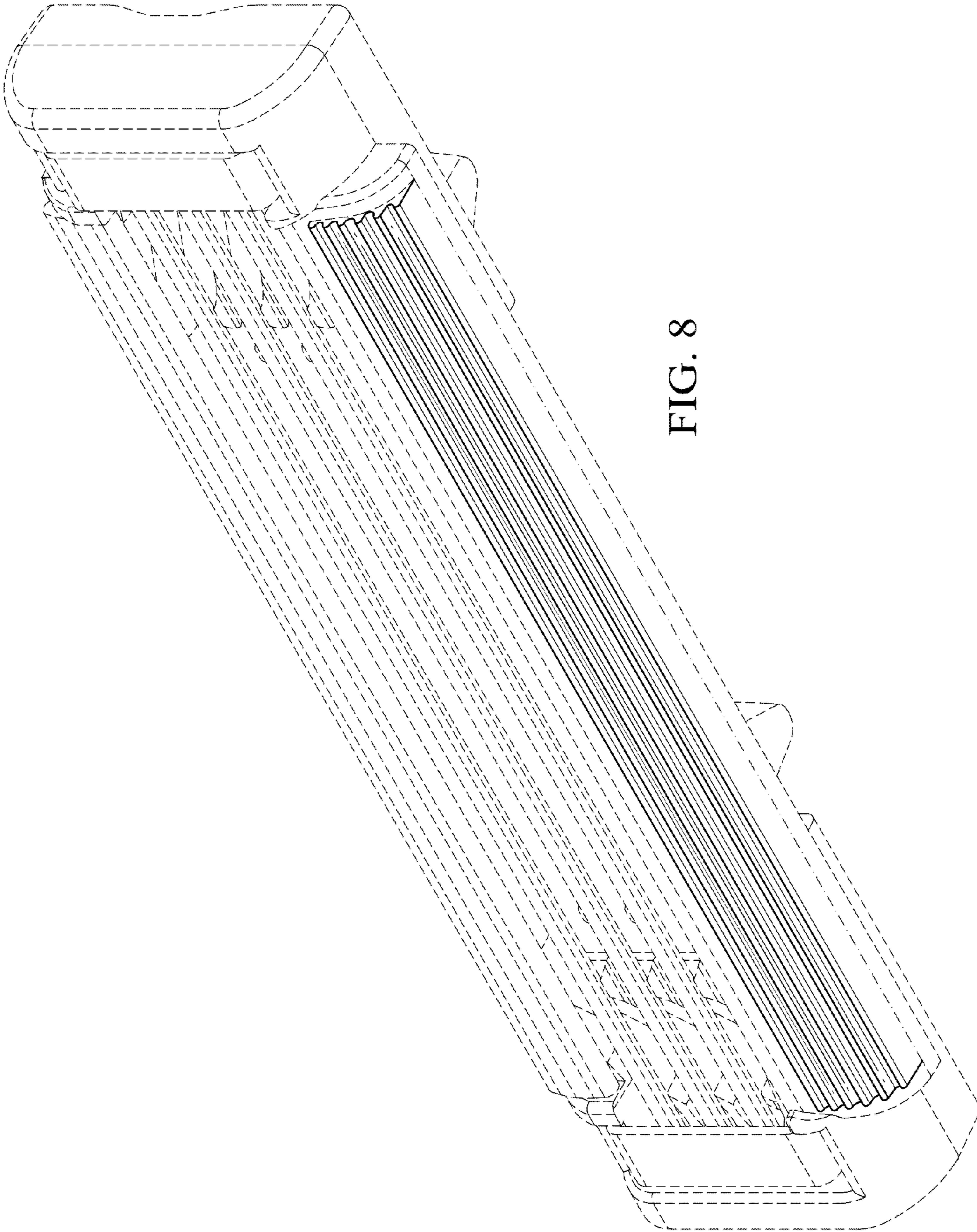


FIG. 8