



US00D741011S

(12) **United States Design Patent**
Forti et al.

(10) **Patent No.:** **US D741,011 S**

(45) **Date of Patent:** **** Oct. 13, 2015**

(54) **RAZOR CARTRIDGE**

(71) Applicant: **The Gillette Company**, Boston, MA
(US)

(72) Inventors: **Alexander Stephen Forti**, Dedham, MA
(US); **Michael Hal Bruno**, Burlington,
MA (US); **Matthew Michael Long**,
Methuen, MA (US); **Jessy Lee Cusack**,
Newton, MA (US); **Neil Lettenberger**,
Boston, MA (US); **Christopher Ramm**,
North Attleboro, MA (US)

(73) Assignee: **The Gillette Company**, Boston, MA
(US)

(**) Term: **14 Years**

(21) Appl. No.: **29/465,292**

(22) Filed: **Aug. 26, 2013**

(51) **LOC (10) Cl.** **28-03**

(52) **U.S. Cl.**
USPC **D28/47**

(58) **Field of Classification Search**
USPC D28/44-48
CPC B26B 21/00-21/12; B26B 21/14;
B26B 21/16; B26B 21/165; B26B 21/18;
B26B 21/185; B26B 21/20-21/227; B26B
21/24; B26B 21/28; B26B 21/30; B26B
21/32; B26B 21/40; B26B 21/4062; B26B
21/4068; B26B 21/4075; B26B 21/52-21/528
See application file for complete search history.

(56) **References Cited**

U.S. PATENT DOCUMENTS

D422,751 S * 4/2000 Gray D28/47
6,243,951 B1 * 6/2001 Oldroyd 30/34.2
6,601,303 B2 8/2003 Gilder et al.
6,792,682 B2 * 9/2004 Follo et al. 30/50

6,941,659 B2 * 9/2005 Gilder 30/34.2
D514,253 S * 1/2006 Gray D28/47
D575,454 S * 8/2008 Keene et al. D28/47
D629,564 S * 12/2010 Jung D28/47
D631,198 S * 1/2011 Adams et al. D28/47
D633,253 S * 2/2011 Wonderley et al. D28/47
D633,254 S 2/2011 Witkus
D643,977 S * 8/2011 Wonderley et al. D28/47
D648,075 S * 11/2011 Wonderley et al. D28/47
D661,020 S * 5/2012 Wain et al. D28/46
D661,426 S * 6/2012 Wain et al. D28/47
2008/0172878 A1 * 7/2008 Luxton 30/34.1
2010/0122464 A1 * 5/2010 Ndou et al. 30/41
2010/0218379 A1 * 9/2010 Kwiecien 30/41
2011/0146079 A1 * 6/2011 Clarke et al. 30/34.05
2011/0203113 A1 * 8/2011 Wang 30/41
2012/0159787 A1 * 6/2012 Luxton 30/50
2012/0279070 A1 * 11/2012 Seo 30/34.2
2013/0081275 A1 * 4/2013 Wain et al. 30/41

* cited by examiner

Primary Examiner — Jennifer Rivard

(74) *Attorney, Agent, or Firm* — Joanne N. Pappas; Kevin C. Johnson; Steven W. Miller

(57) **CLAIM**

The ornamental design for a razor cartridge, as shown and described.

DESCRIPTION

FIG. 1 is a perspective view of a design for a razor cartridge of the present invention.

FIG. 2 is a front view thereof;

FIG. 3 is a back view thereof;

FIG. 4 is a top view thereof;

FIG. 5 is a bottom view thereof;

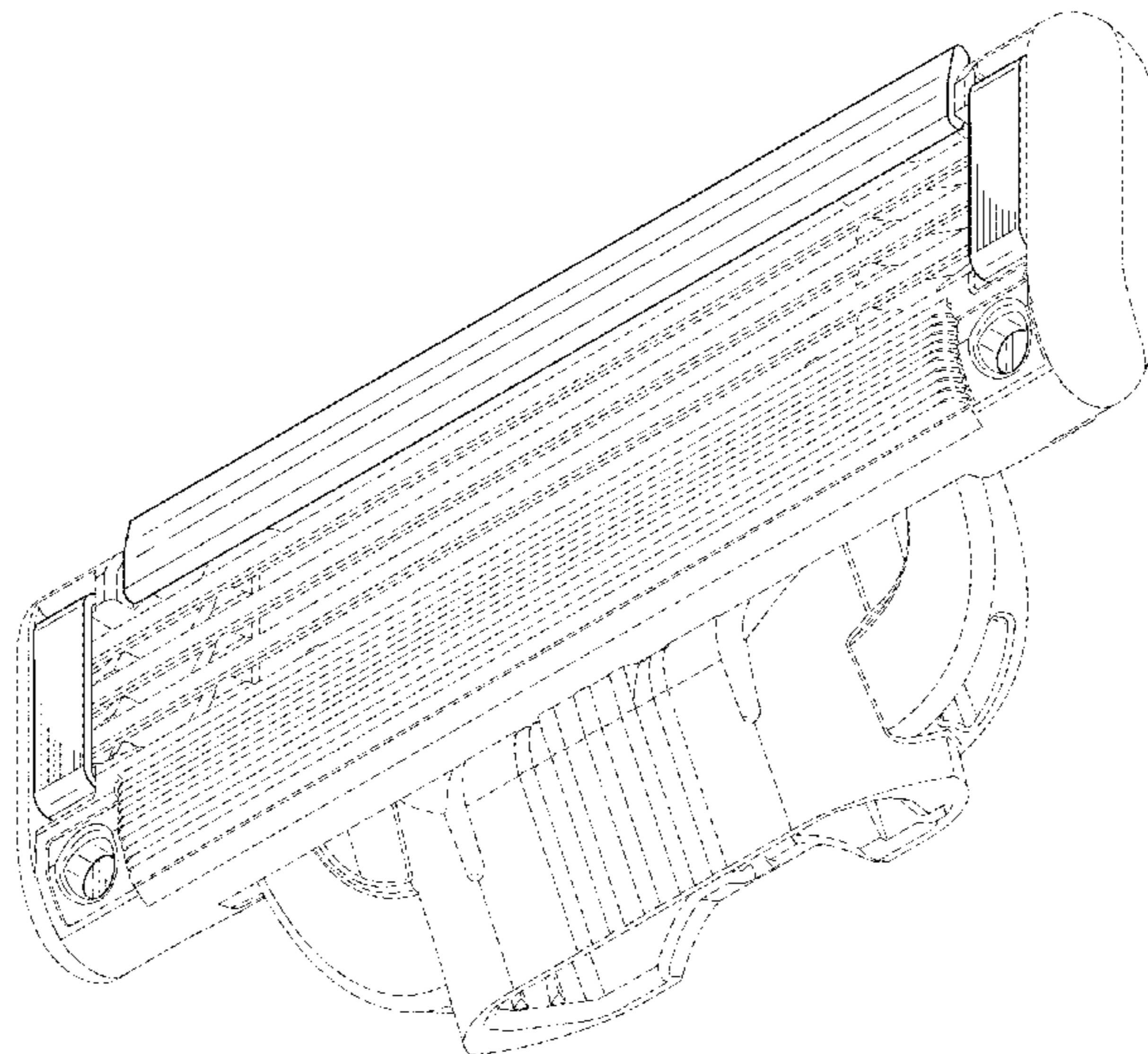
FIG. 6 is a left side view thereof;

FIG. 7 is a right side view thereof; and,

FIG. 8 is another perspective view thereof.

The broken lines illustrate portions of the razor cartridge and form no part of the claimed design.

1 Claim, 6 Drawing Sheets



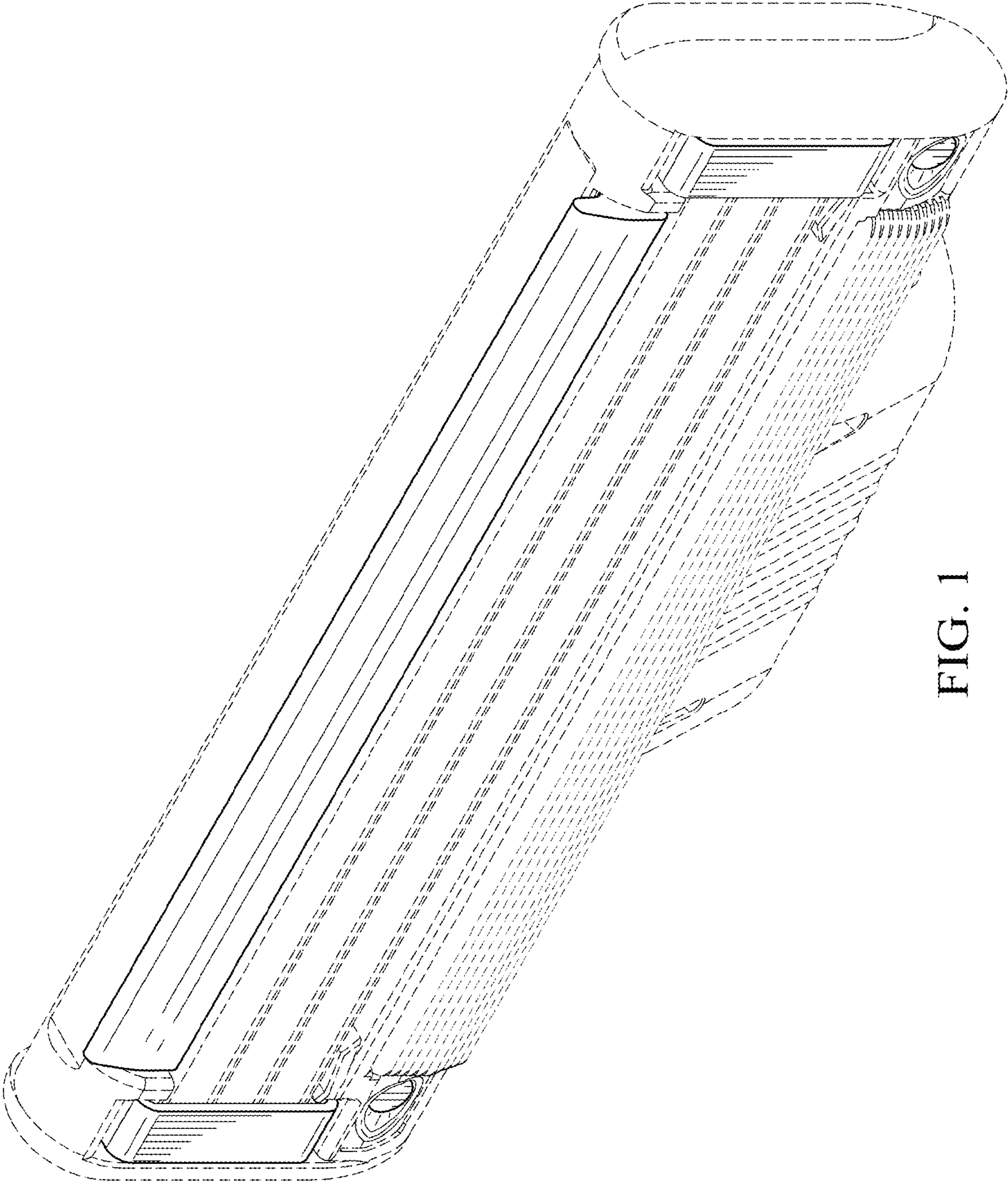


FIG. 1

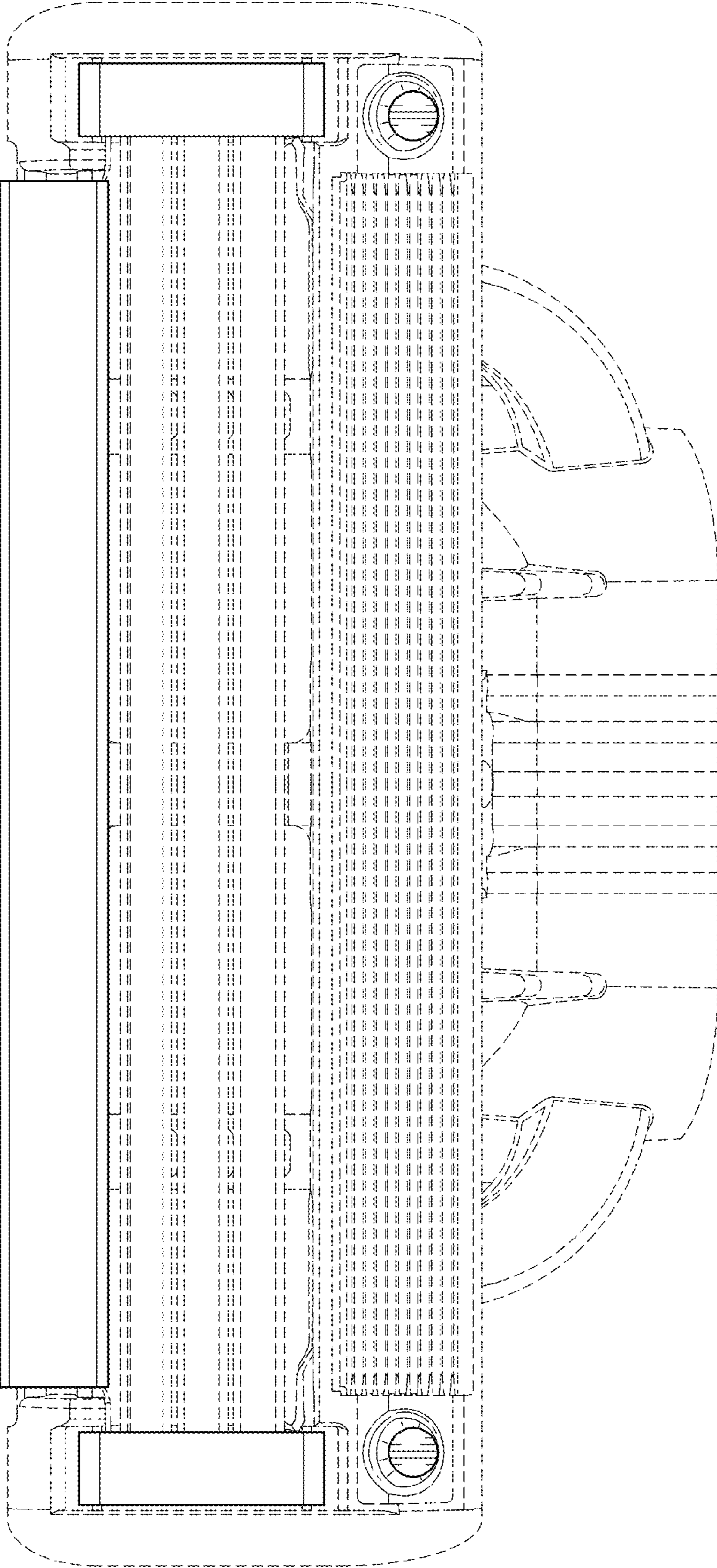


FIG. 2

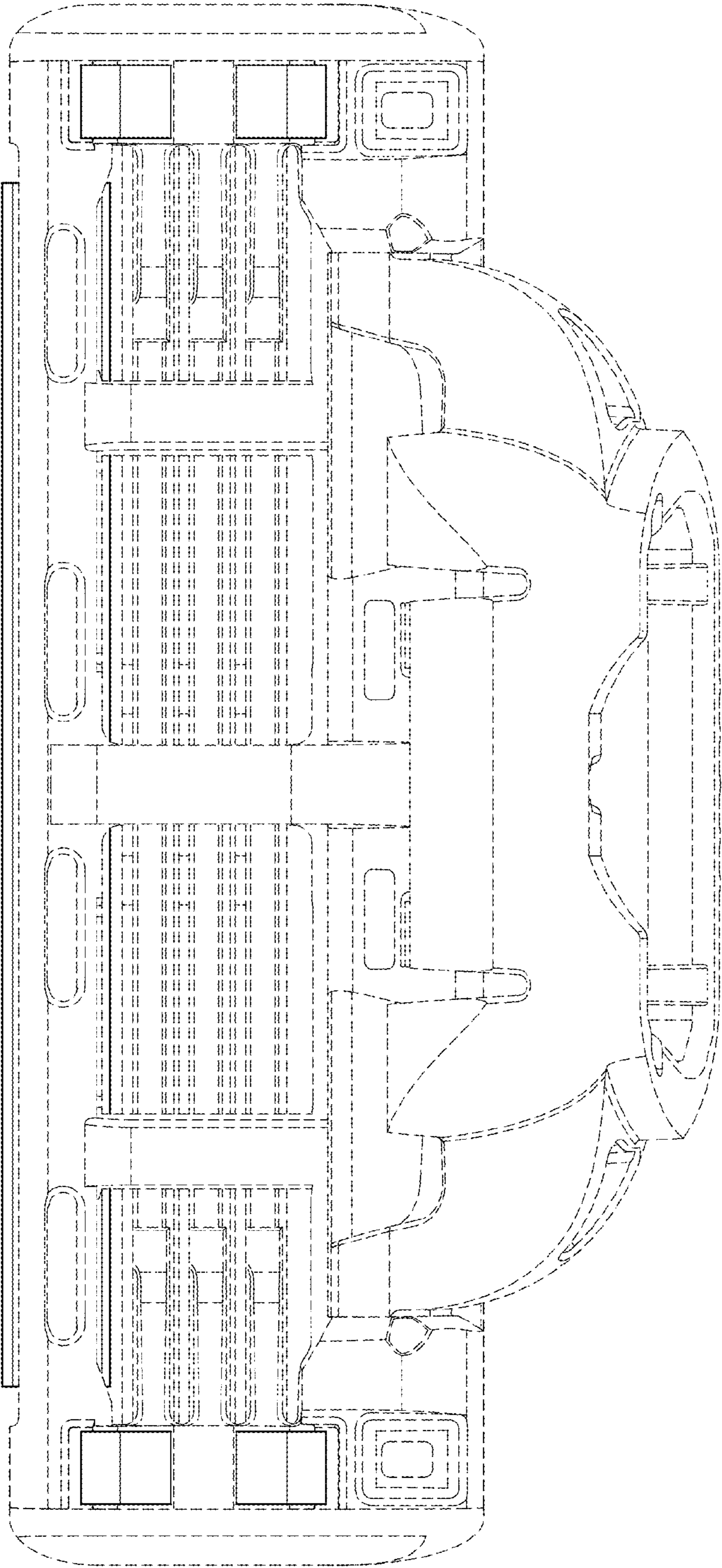


FIG. 3

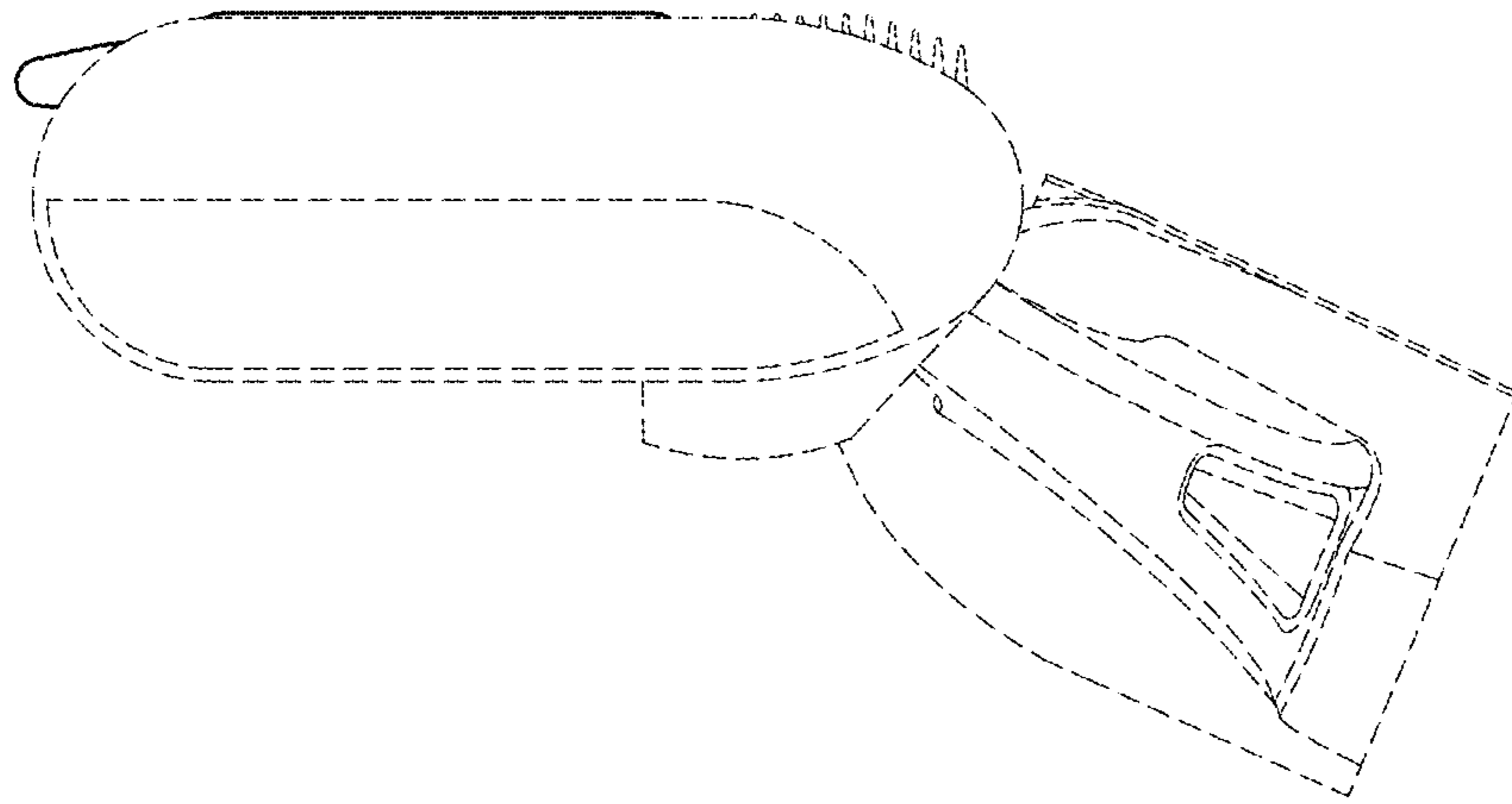


FIG. 5

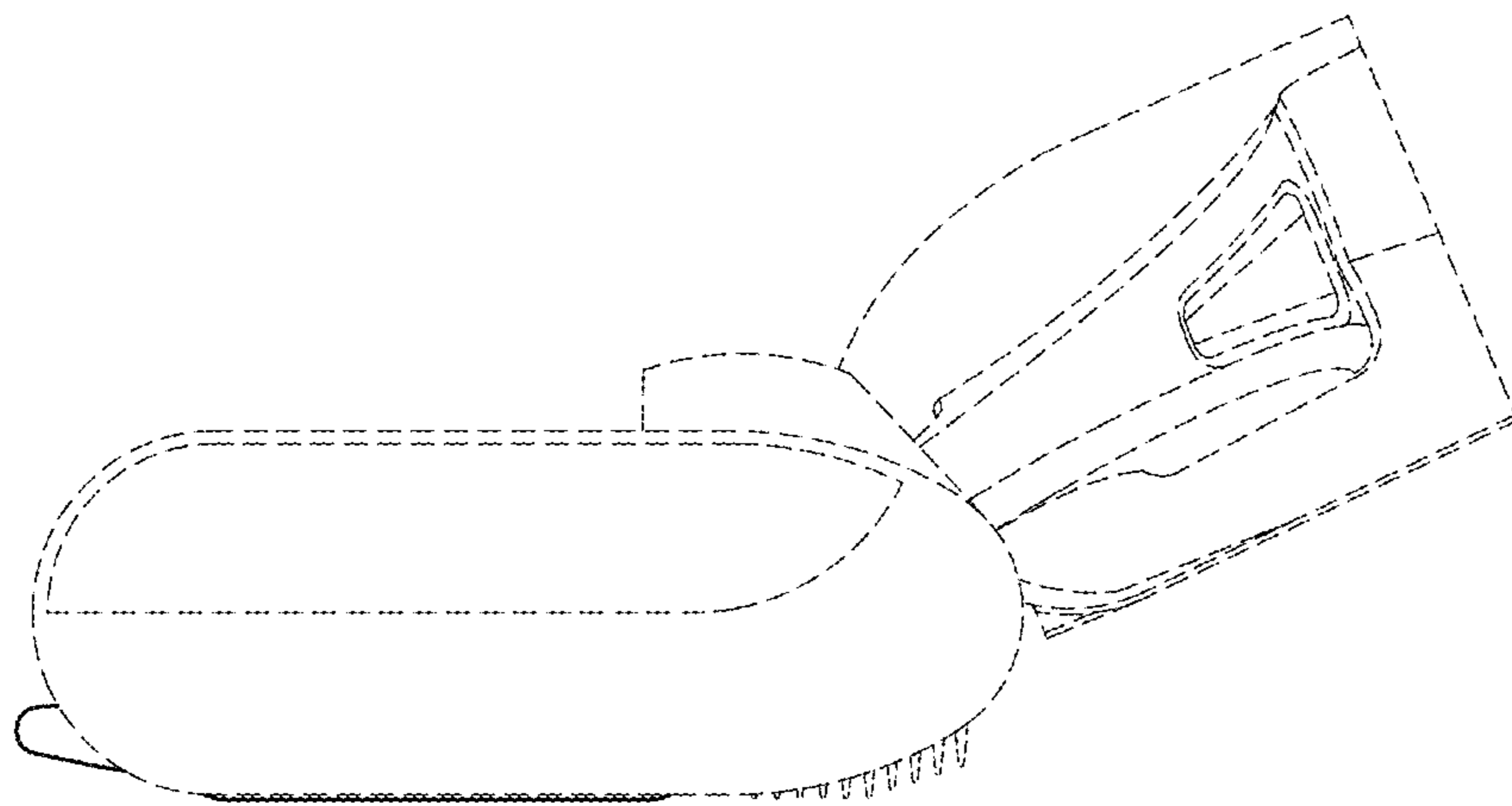


FIG. 4

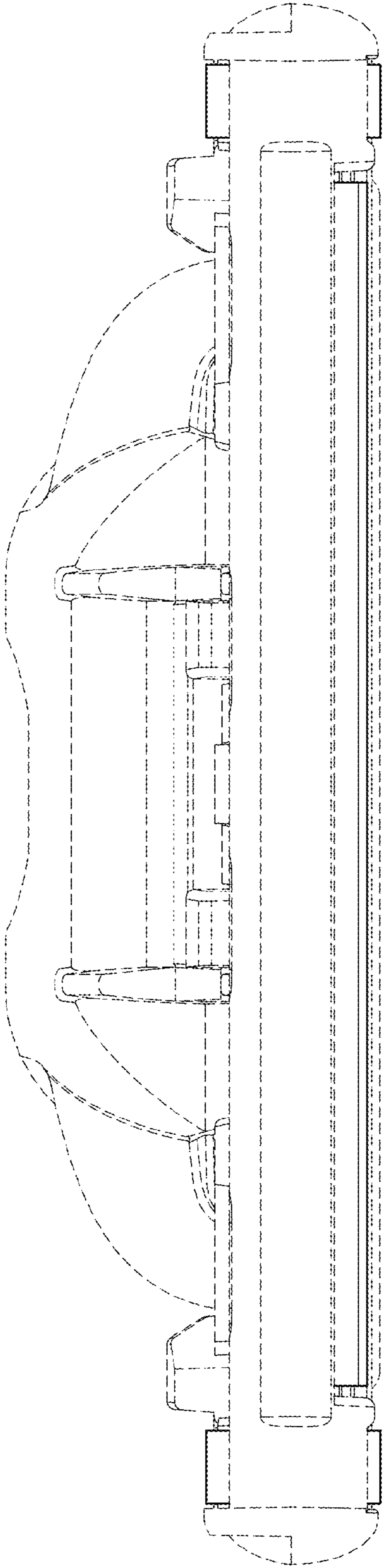


FIG. 6

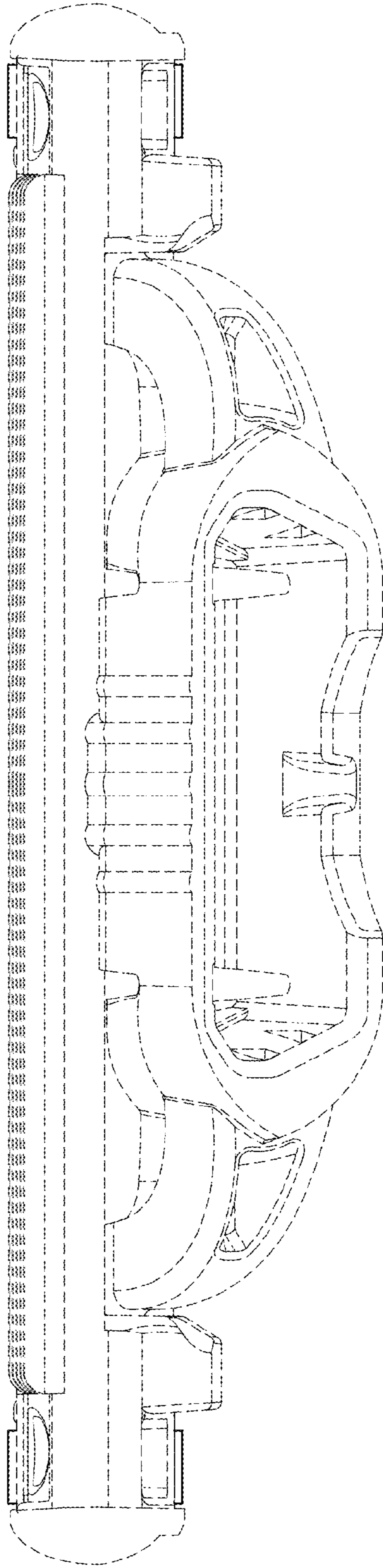


FIG. 7

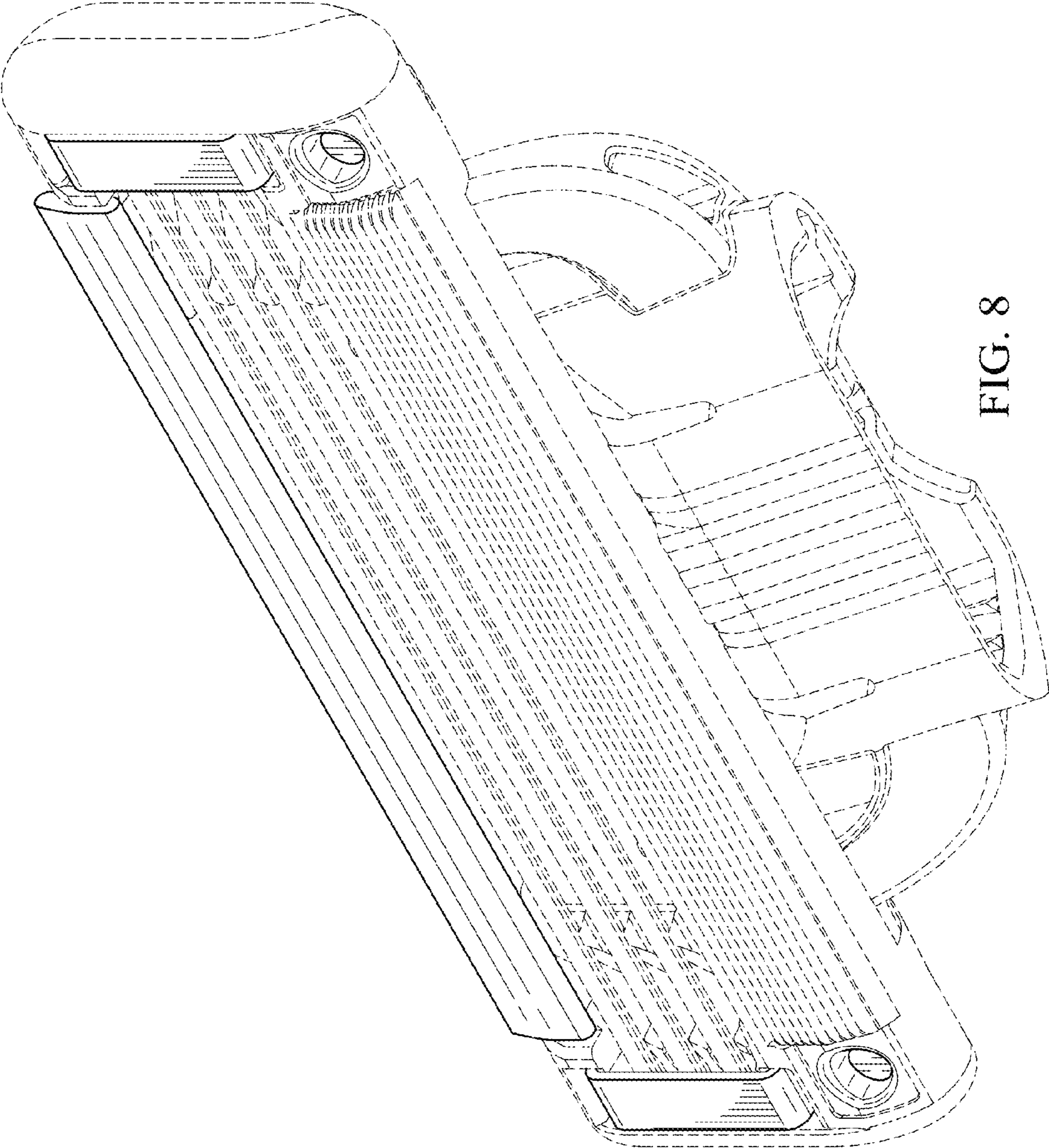


FIG. 8