



US00D741009S

(12) **United States Design Patent**
Bruno et al.

(10) **Patent No.:** **US D741,009 S**
(45) **Date of Patent:** **** Oct. 13, 2015**

(54) **RAZOR CARTRIDGE**

(71) Applicant: **The Gillette Company**, Boston, MA (US)
(72) Inventors: **Michael Hal Bruno**, Burlington, MA (US); **Matthew Michael Long**, Methuen, MA (US); **Christopher Ramm**, North Attleboro, MA (US); **Alexander Stephen Forti**, Dedham, MA (US); **Jessy Lee Cusack**, Newton, MA (US); **Neil Lettenberger**, Boston, MA (US); **Shrikant Prasad Pattnaik**, Quincy, MA (US)
(73) Assignee: **The Gillette Company**, Boston, MA (US)

(**) Term: **14 Years**

(21) Appl. No.: **29/465,287**

(22) Filed: **Aug. 26, 2013**

(51) **LOC (10) Cl.** **28-03**

(52) **U.S. Cl.**
USPC **D28/47**

(58) **Field of Classification Search**
USPC D28/44-48
CPC B26B 21/00-21/12; B26B 21/14; B26B 21/16; B26B 21/165; B26B 21/18; B26B 21/185; B26B 21/20-1/227; B26B 21/24; B26B 21/28; B26B 21/30; B26B 21/32; B26B 21/40; B26B 21/4062; B26B 21/4068; B26B 21/4075; B26B 21/52-21/528
See application file for complete search history.

(56) **References Cited**

U.S. PATENT DOCUMENTS

D422,751	S	*	4/2000	Gray	D28/47
6,243,951	B1	*	6/2001	Oldroyd	30/34.2
D514,253	S	*	1/2006	Gray	D28/47
D575,454	S	*	8/2008	Keene et al.	D28/47
D604,904	S		11/2009	Watson		
D629,564	S	*	12/2010	Jung	D28/47
D631,198	S	*	1/2011	Adams et al.	D28/47
D633,253	S	*	2/2011	Wonderley et al.	D28/47
D643,977	S	*	8/2011	Wonderley et al.	D28/47
D648,075	S	*	11/2011	Wonderley et al.	D28/47
D661,020	S	*	5/2012	Wain et al.	D28/46
2008/0172878	A1	*	7/2008	Luxton	30/34.1
2010/0122464	A1	*	5/2010	Ndou et al.	30/41
2011/0203113	A1	*	8/2011	Wang	30/41
2012/0159787	A1	*	6/2012	Luxton	30/50
2012/0279070	A1	*	11/2012	Seo	30/34.2

* cited by examiner

Primary Examiner — Jennifer Rivard

(74) *Attorney, Agent, or Firm* — Joanne N. Pappas; Kevin C. Johnson; Steven W. Miller

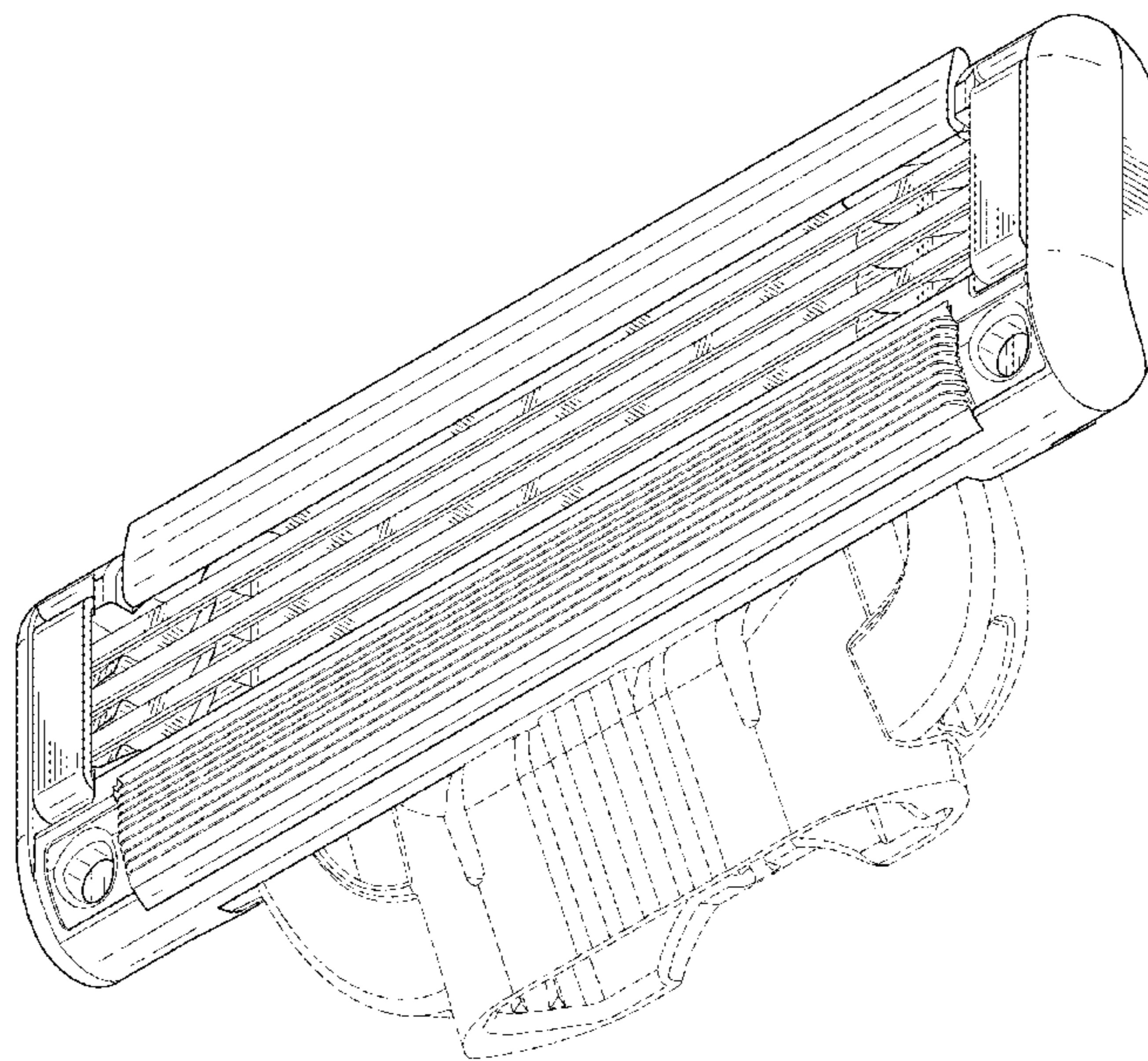
(57) **CLAIM**

The ornamental design for a razor cartridge, as shown and described.

DESCRIPTION

FIG. 1 is a perspective view of a design for a razor cartridge of the present invention;
FIG. 2 is a front view thereof;
FIG. 3 is a back view thereof;
FIG. 4 is a top view thereof;
FIG. 5 is a bottom view thereof;
FIG. 6 is a left side view thereof;
FIG. 7 is a right side view thereof; and,
FIG. 8 is another perspective view thereof.
The broken lines illustrate portions of the razor cartridge and form no part of the claimed design.

1 Claim, 6 Drawing Sheets



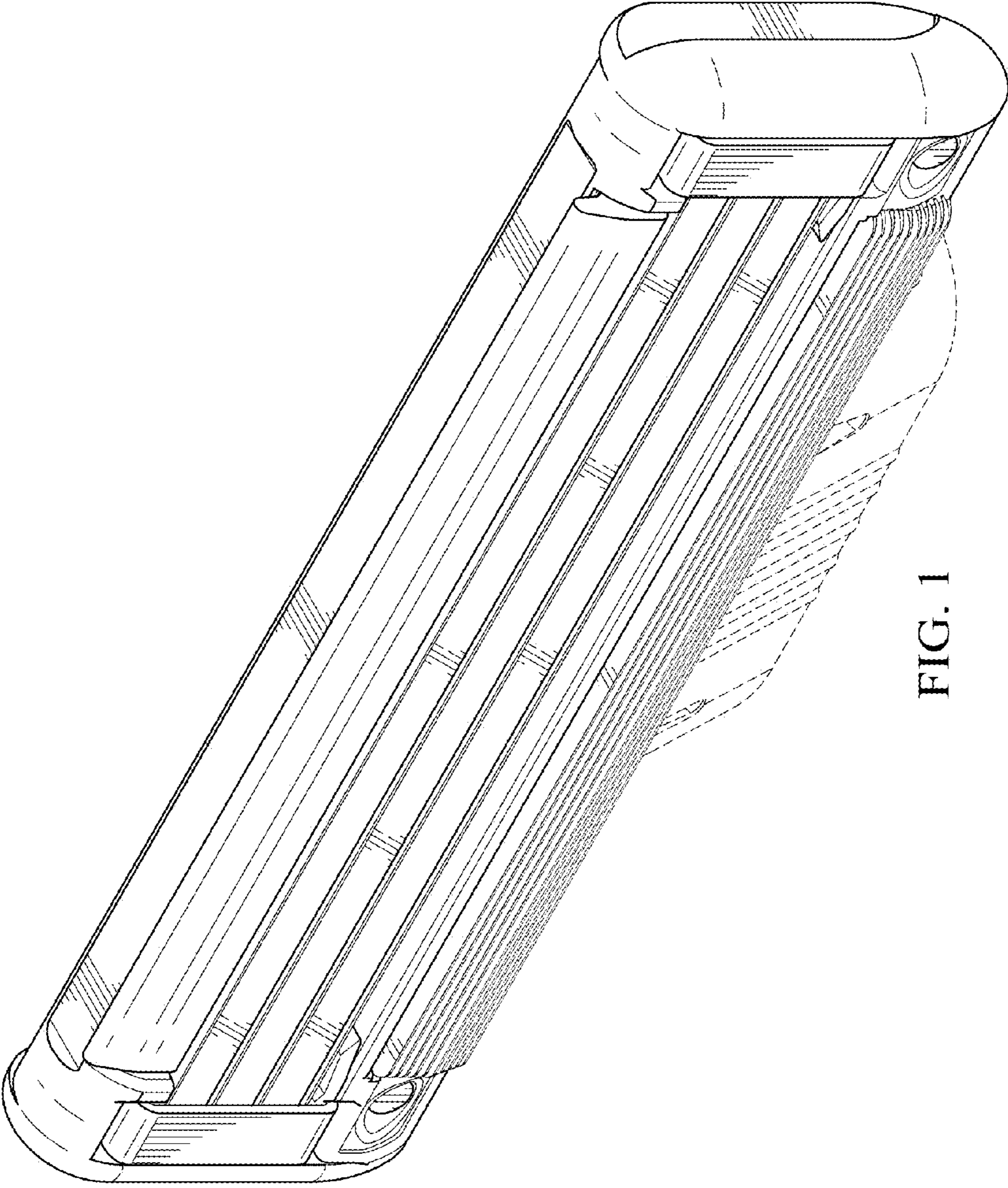


FIG. 1

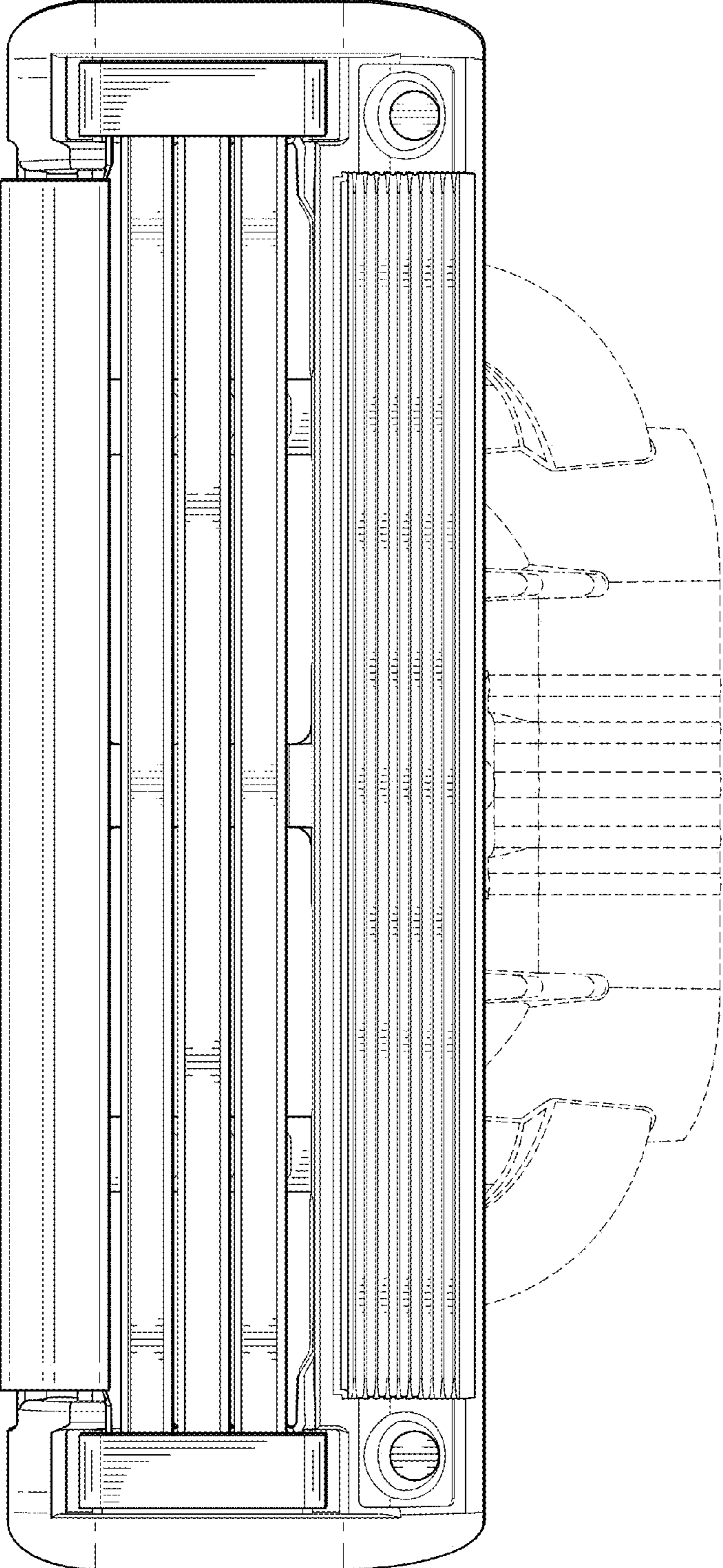


FIG. 2

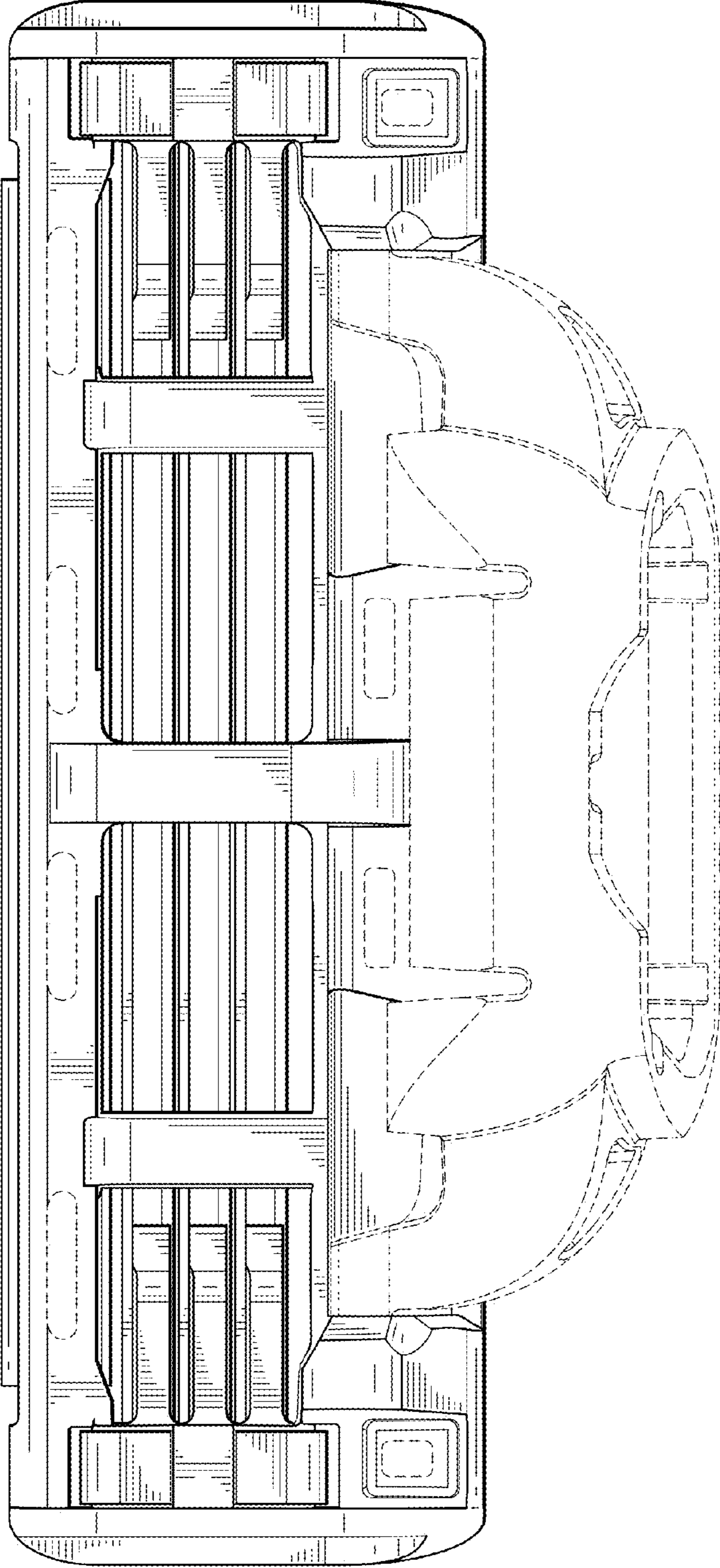


FIG. 3

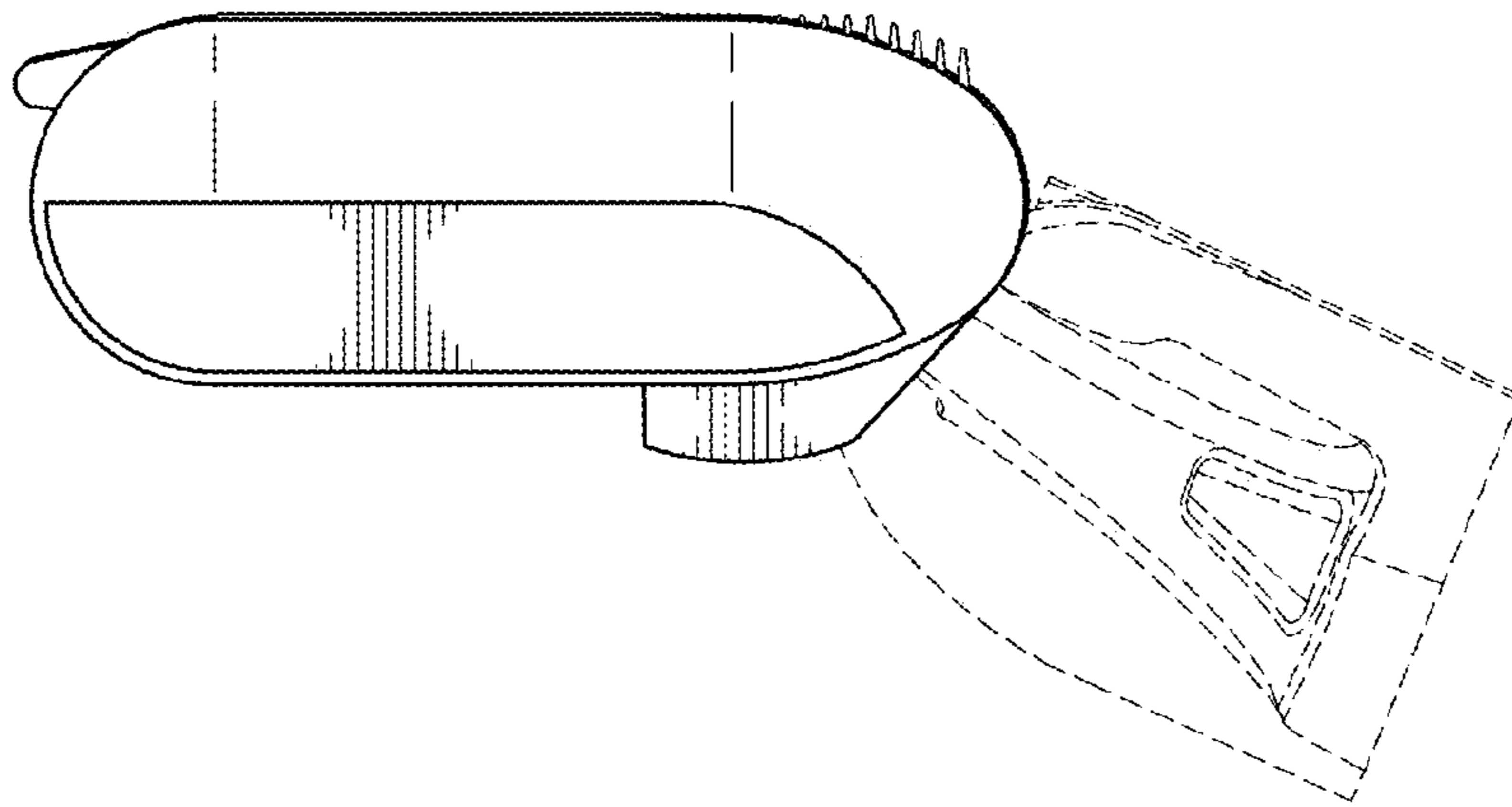


FIG. 5

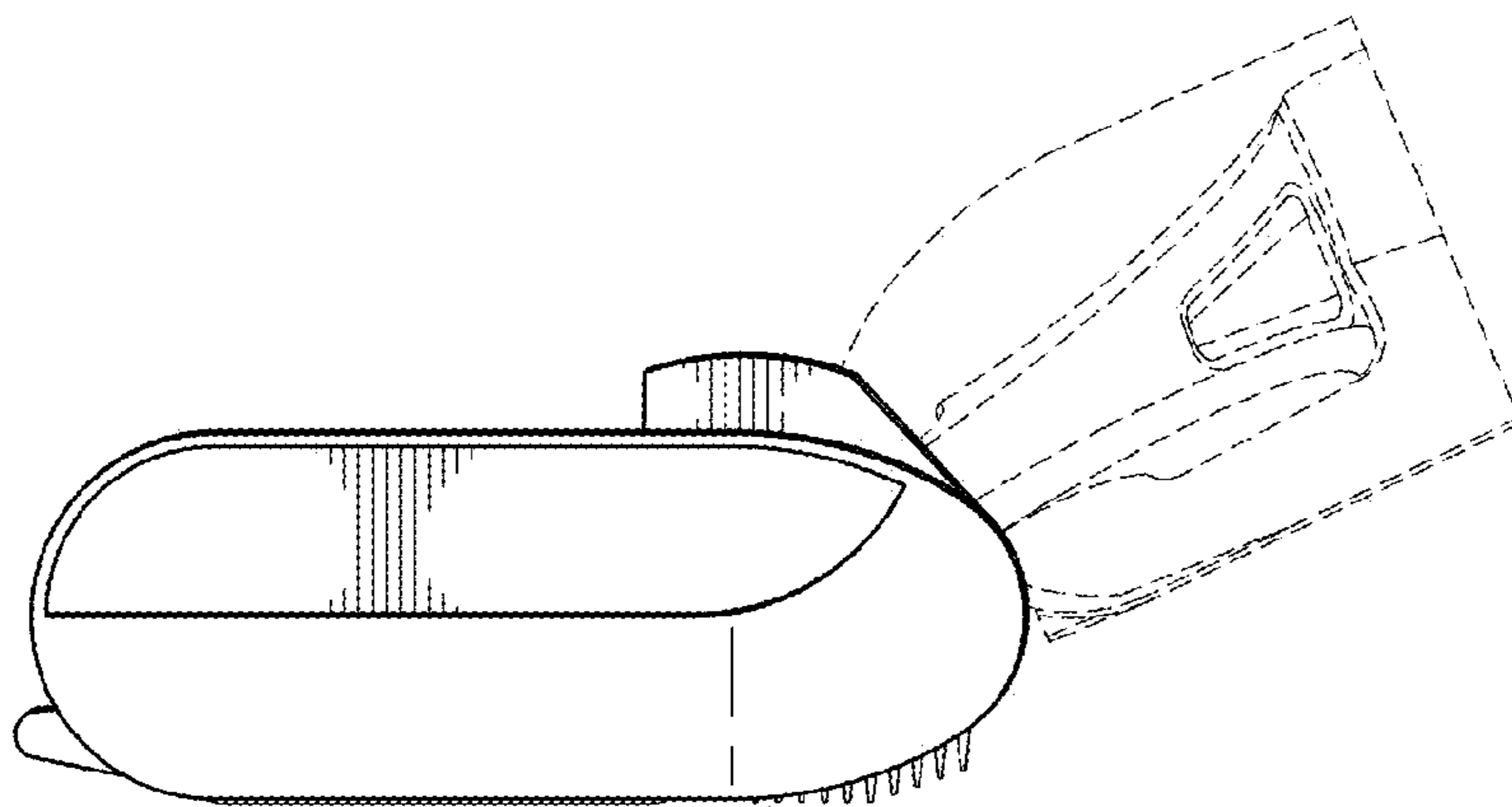


FIG. 4

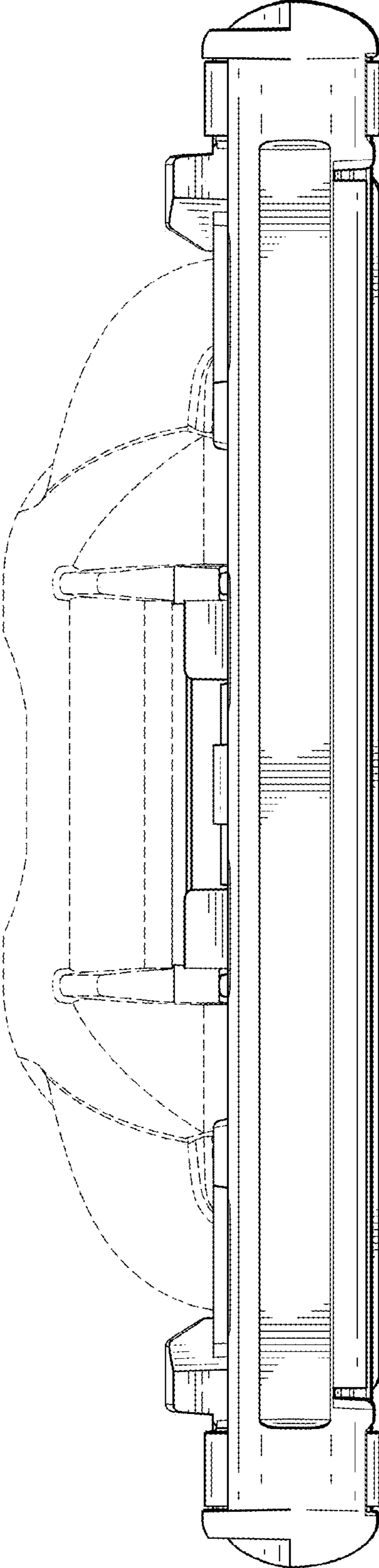


FIG. 6

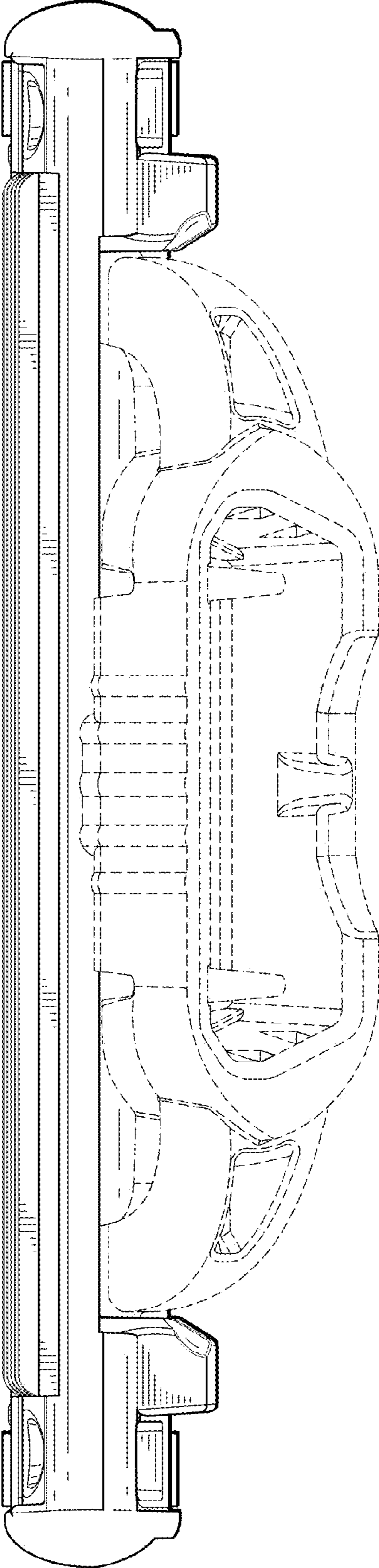


FIG. 7

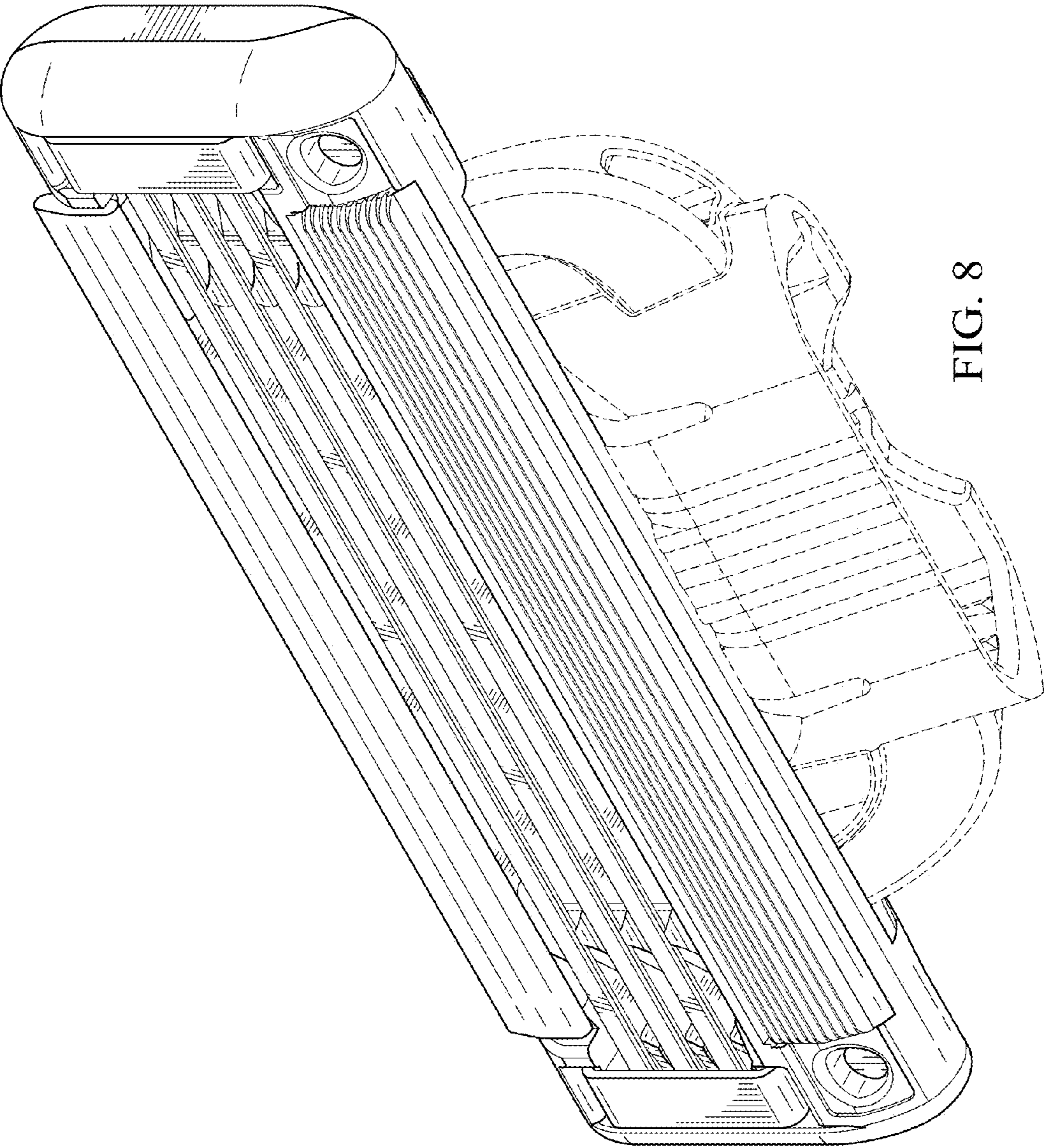


FIG. 8