



US00D741003S

(12) **United States Design Patent**
Von Schoultz

(10) **Patent No.:** **US D741,003 S**
(45) **Date of Patent:** **** Oct. 13, 2015**

- (54) **CIGARETTE ROLLING DEVICE**
- (71) Applicant: **Johan Erik Von Schoultz**, Stockholm (SE)
- (72) Inventor: **Johan Erik Von Schoultz**, Stockholm (SE)
- (**) Term: **14 Years**
- (21) Appl. No.: **29/473,084**
- (22) Filed: **Nov. 19, 2013**
- (51) **LOC (10) Cl.** **27-99**
- (52) **U.S. Cl.**
USPC **D27/194**
- (58) **Field of Classification Search**
USPC D27/172-194; 131/58, 70, 75, 280
CPC A24C 5/40; A24C 5/42
See application file for complete search history.

1,296,548	A *	3/1919	Mondor	131/70
1,299,050	A *	4/1919	Southmayd	131/75
1,304,598	A *	5/1919	Poli	131/75
1,315,838	A *	9/1919	Hopkins	131/75
1,363,895	A *	12/1920	Mondor	131/70
D57,581	S *	4/1921	Branch	D27/194
1,419,224	A *	6/1922	Clifford	131/75
1,534,807	A *	4/1925	Pruyn	131/75
1,726,368	A *	8/1929	Silke	131/75
1,885,304	A *	11/1932	Stanger	131/70
2,266,006	A *	12/1941	Colucci	131/58
2,427,957	A *	9/1947	Getts Jr.	131/71
2,594,747	A *	4/1952	Du Laney	131/70
D284,795	S *	7/1986	Webb	D27/194
5,141,000	A *	8/1992	Ruppert et al.	131/77
2014/0182604	A1 *	7/2014	Hutton	131/70

* cited by examiner

Primary Examiner — Susan Bennett Hattan
Assistant Examiner — Janice Hallmark

(57) **CLAIM**
The ornamental design for a cigarette rolling device, as shown.

(56) **References Cited**

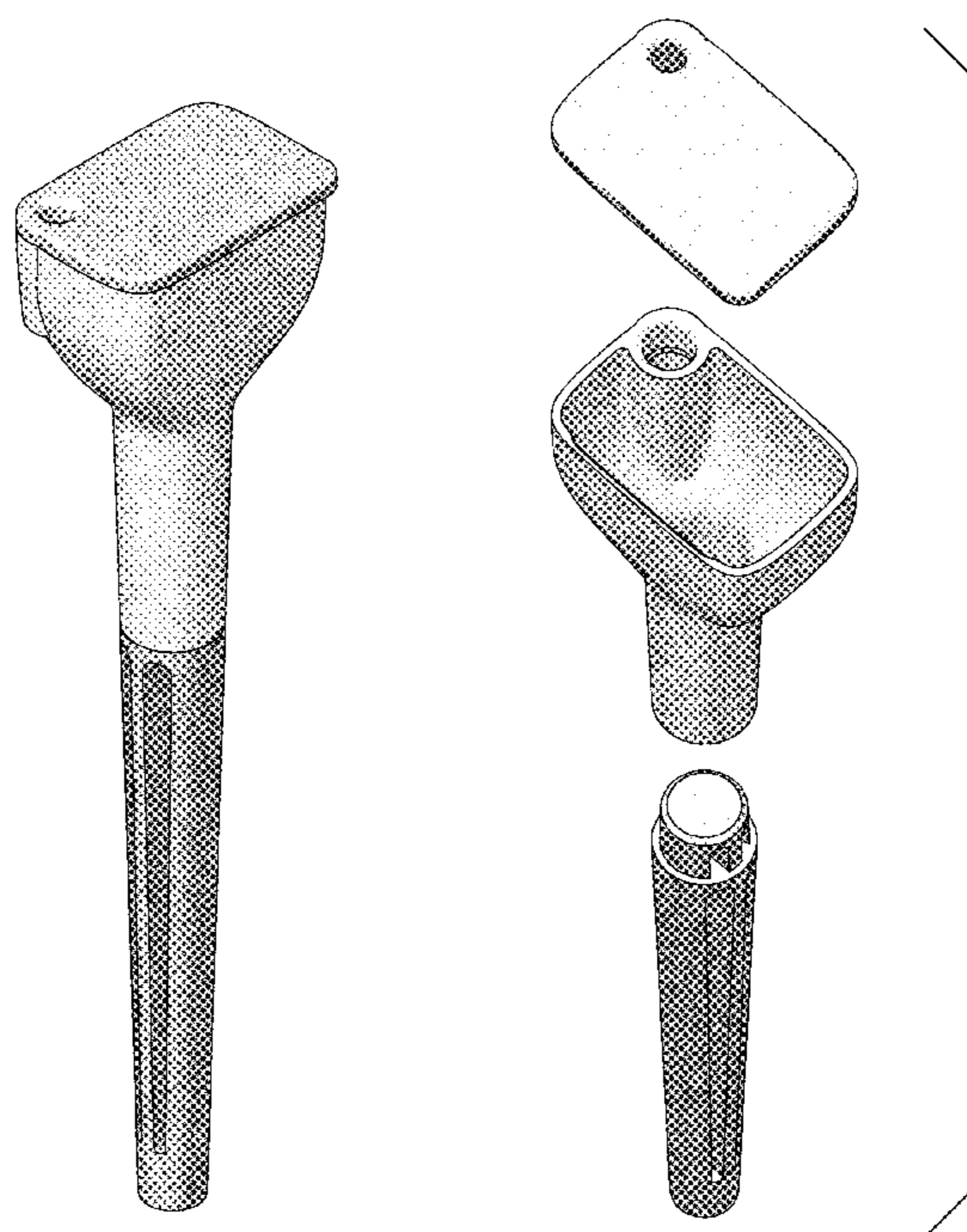
U.S. PATENT DOCUMENTS

172,370	A *	1/1876	Bacot	131/75
581,560	A *	4/1897	Lane	131/75
601,618	A *	3/1898	Meinz	131/75
603,714	A *	5/1898	Veith	131/75
729,256	A *	5/1903	Beatley	131/75
755,129	A *	3/1904	Green et al.	131/75
903,039	A *	11/1908	Wood	131/75
1,136,720	A *	4/1915	Preston	131/58
1,172,181	A *	2/1916	Tribe	131/75
1,186,089	A *	6/1916	Fox	131/75
1,187,762	A *	6/1916	Meledonian et al.	131/75

DESCRIPTION

FIG. 1 is a back view of the cigarette rolling device;
FIG. 2 is a left side view thereof;
FIG. 3 is a front view thereof;
FIG. 4 is a right side view thereof;
FIG. 5 is a top view thereof;
FIG. 6 is a bottom view thereof;
FIG. 7 is a top perspective view thereof; and,
FIG. 8 is an exploded perspective view thereof.

1 Claim, 5 Drawing Sheets



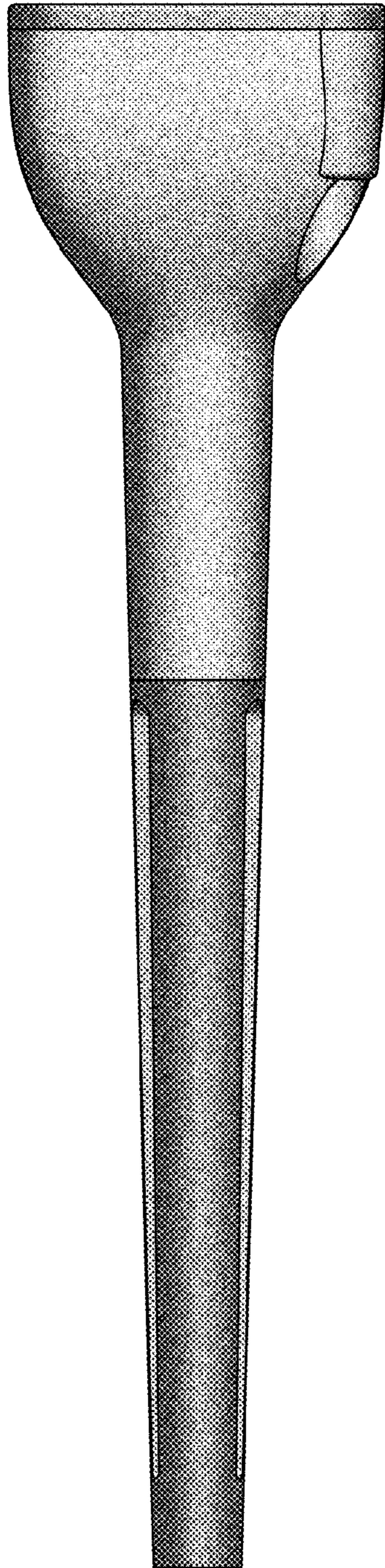


Fig. 1

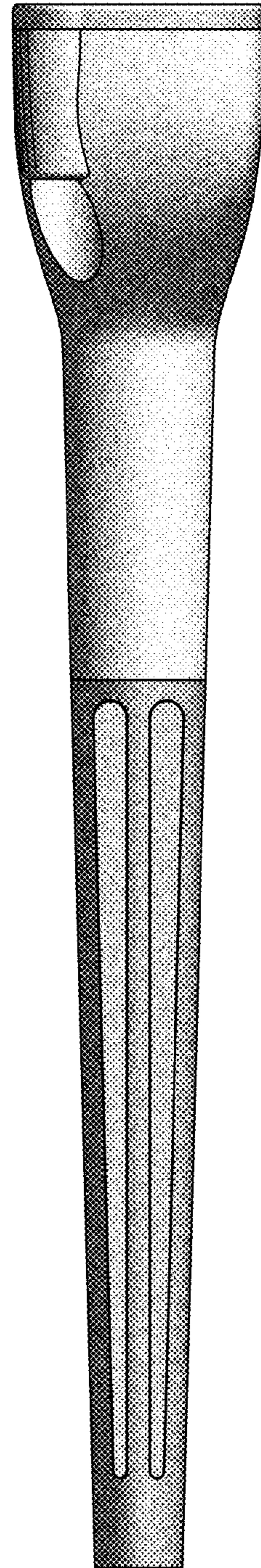


Fig. 2

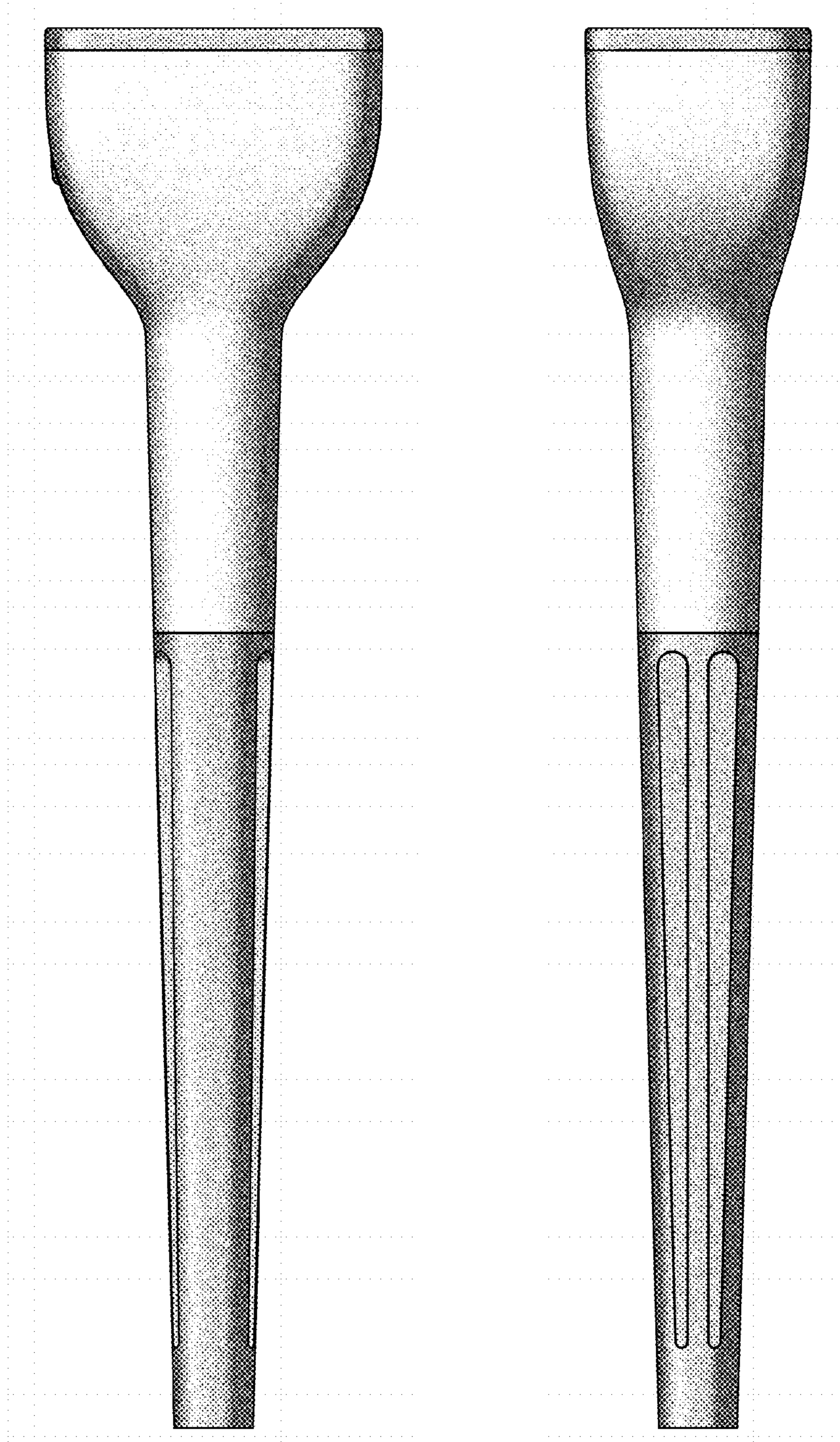


Fig. 3

Fig. 4

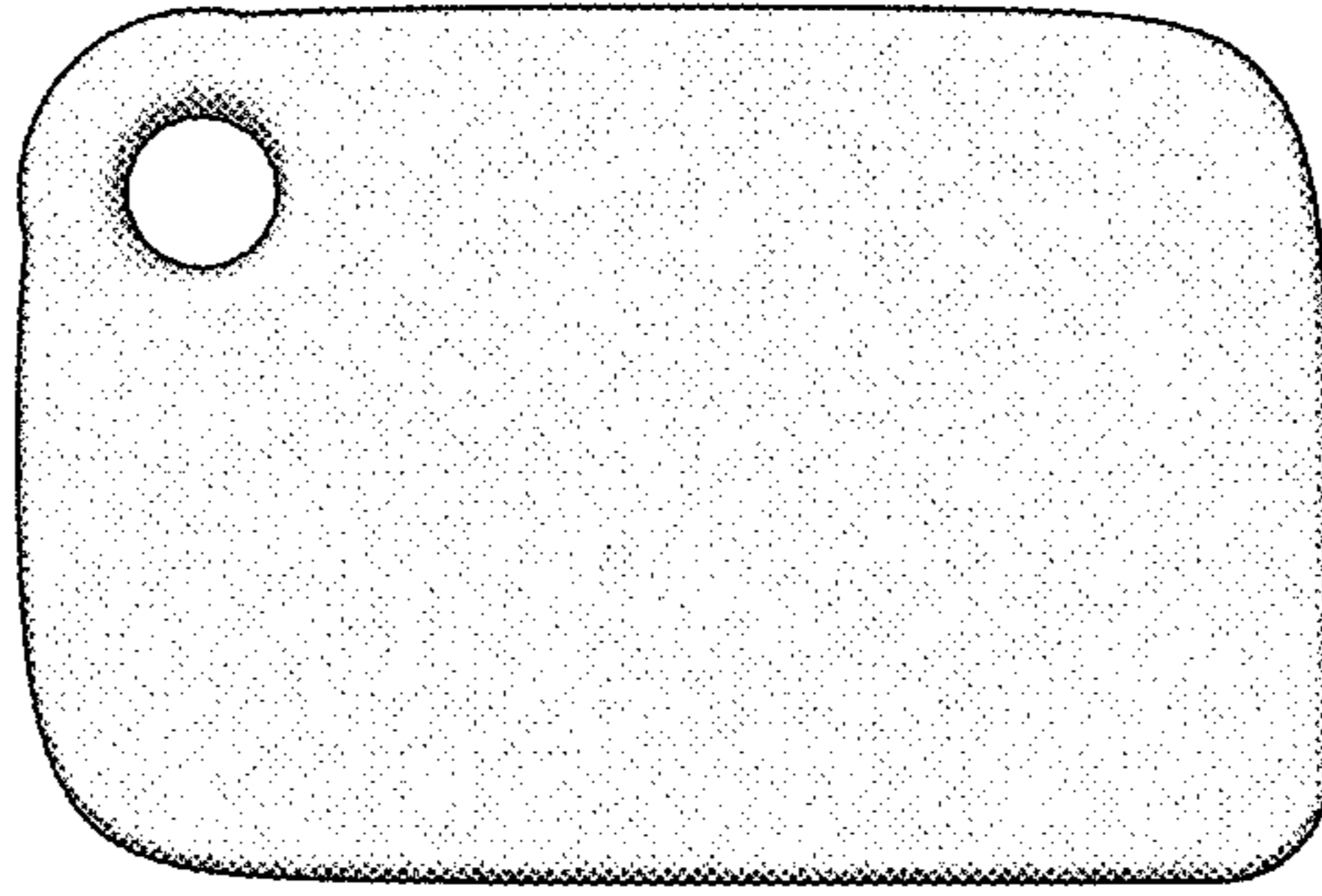


Fig. 5

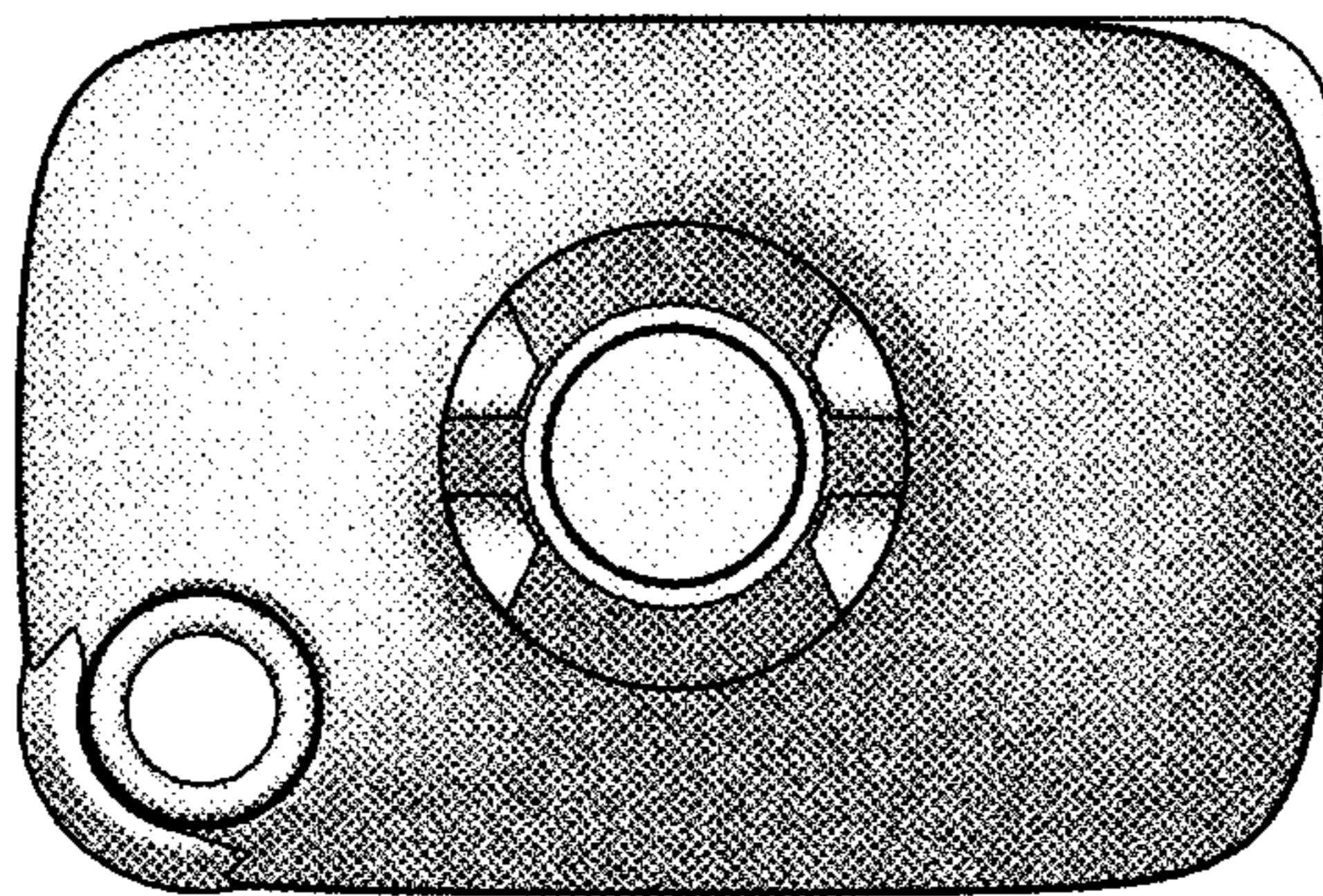


Fig. 6

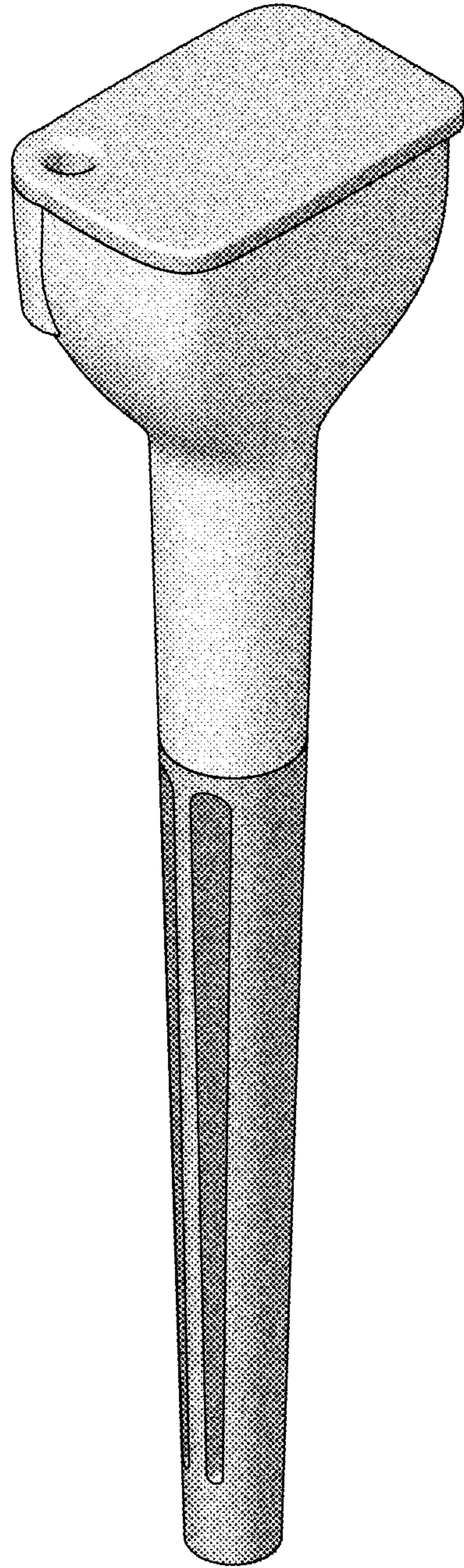


Fig. 7

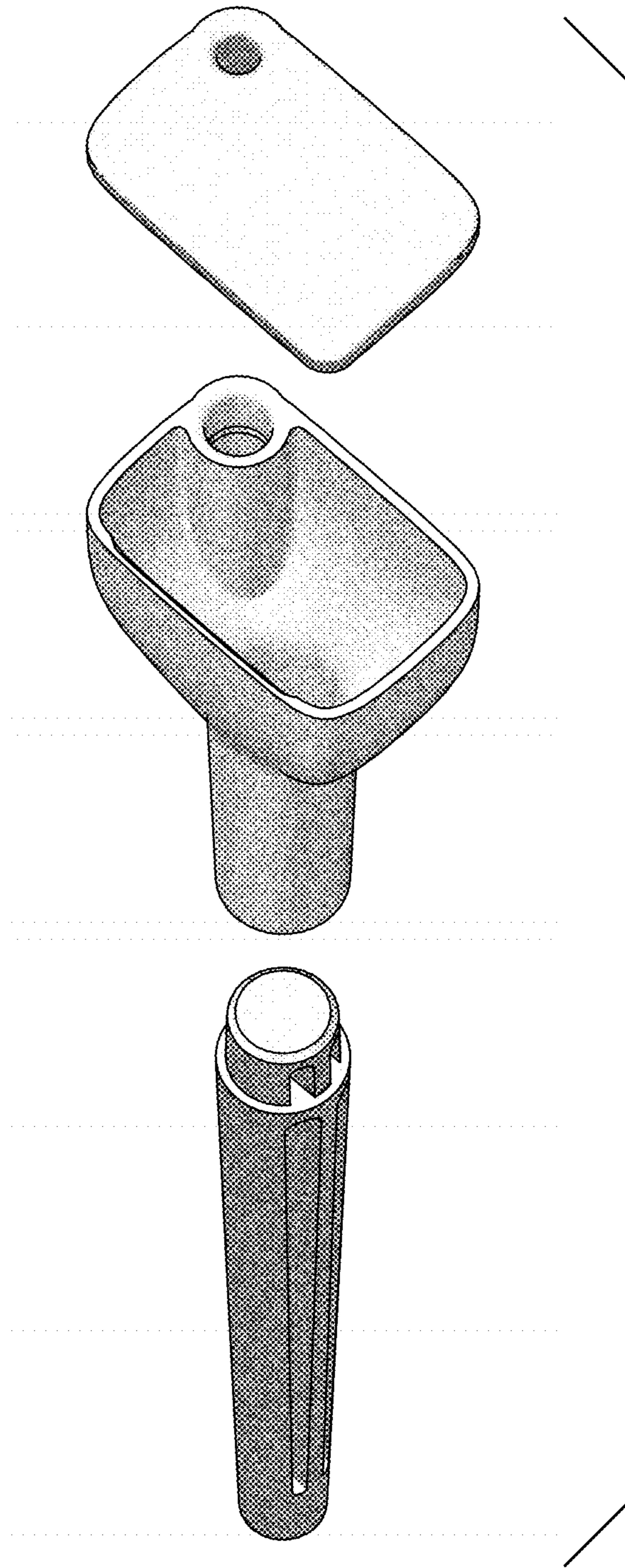


Fig. 8