



US00D741001S

(12) **United States Design Patent**
Alarcon et al.

(10) **Patent No.:** **US D741,001 S**
(45) **Date of Patent:** **** Oct. 13, 2015**

(54) **NOZZLE**
(71) Applicant: **LOEC, Inc.**, Greensboro, NC (US)
(72) Inventors: **Ramon Alarcon**, Los Gatos, CA (US);
Dennis Rasmussen, Campbell, CA (US)
(73) Assignee: **Fontem Holdings 4 B.V.**, Amsterdam
(NL)
(**) Term: **14 Years**
(21) Appl. No.: **29/460,888**
(22) Filed: **Jul. 16, 2013**
(51) **LOC (10) Cl.** **27-02**
(52) **U.S. Cl.**
USPC **D27/167**; D27/194
(58) **Field of Classification Search**
USPC D27/101, 162-164, 167, 194; D24/110;
D23/213, 360, 363; 128/202.21;
131/270-273, 328-330, 347, 348, 360
CPC ... A61M 11/00; A61M 15/009; A24F 47/002;
A24F 47/00; A24F 47/004; A24F 47/006;
A24F 47/008
See application file for complete search history.

D674,878	S *	1/2013	Jones et al.	D23/213
D677,427	S *	3/2013	Ross	D27/167
D684,311	S *	6/2013	Liu	D27/101
8,540,169	B2 *	9/2013	Kambayashi et al.	239/102.2
D691,765	S	10/2013	Tucker et al.		
D691,766	S	10/2013	Tucker et al.		
D695,449	S	12/2013	Tucker et al.		
D710,488	S *	8/2014	Alima	D23/363
D712,009	S *	8/2014	Gopalan et al.	D23/213
8,864,049	B2 *	10/2014	Nolte et al.	239/223
8,905,020	B2 *	12/2014	Eagle	128/203.12
D722,721	S *	2/2015	Ross	D27/167
D722,722	S *	2/2015	Ross	D27/167
D724,264	S *	3/2015	Chambers	D27/101
D726,364	S *	4/2015	Weigensberg	D27/101
D726,365	S *	4/2015	Weigensberg	D27/101
D727,562	S *	4/2015	Li	D27/101
2009/0217933	A1 *	9/2009	Chen	131/185
2014/0109921	A1 *	4/2014	Chen	131/273
2014/0150810	A1 *	6/2014	Hon	131/329
2014/0190501	A1 *	7/2014	Liu	131/329
2015/0040929	A1 *	2/2015	Hon	131/329
2015/0117842	A1 *	4/2015	Brammer et al.	392/387

* cited by examiner

Primary Examiner — Susan Bennett Hattan
Assistant Examiner — Janice Hallmark
(74) *Attorney, Agent, or Firm* — Dykema Gossett PLLC

(57) **CLAIM**
We claim the ornamental design for a nozzle, as shown and described.

DESCRIPTION

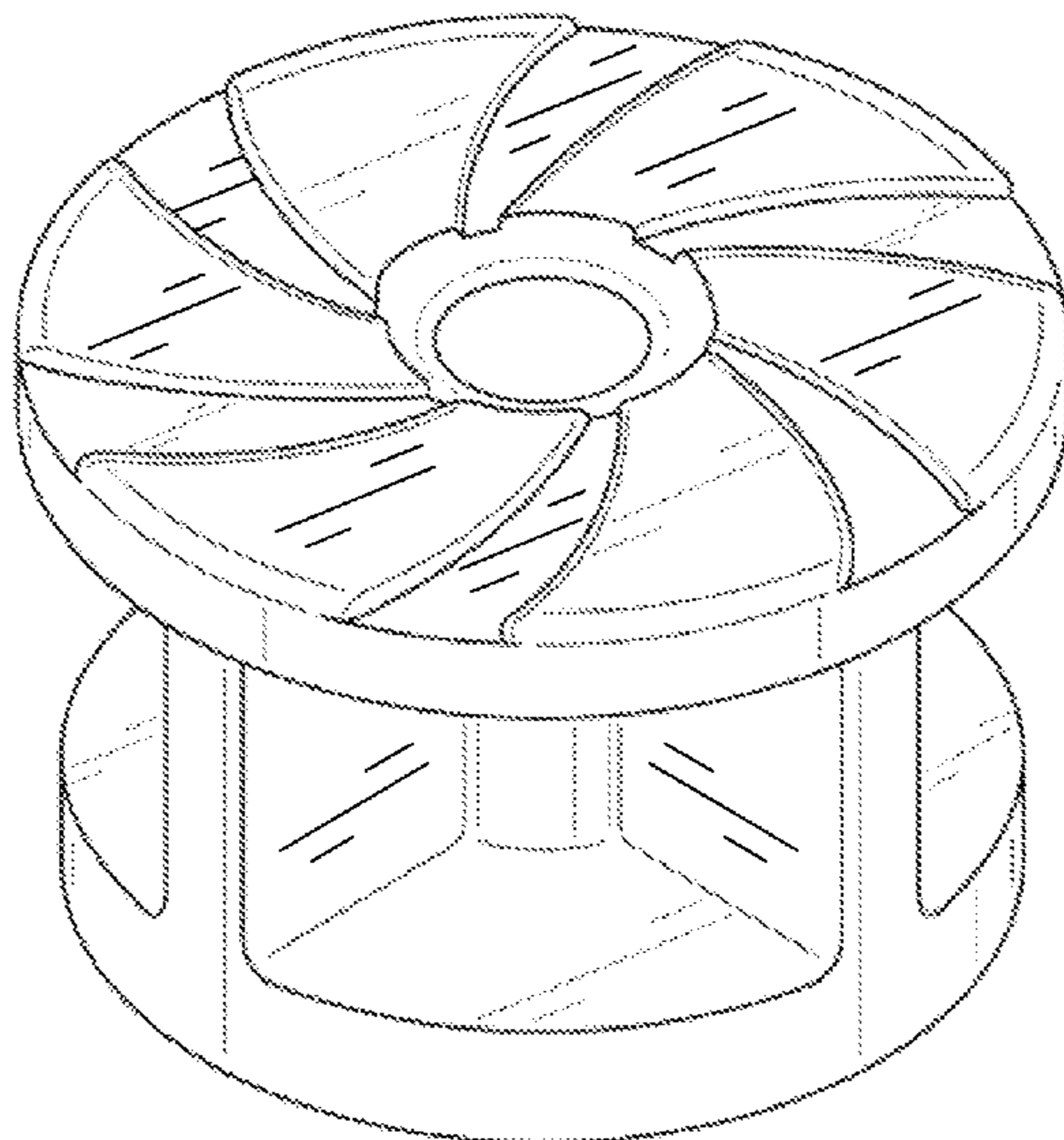
FIG. 1 is a perspective view of the nozzle;
FIG. 2 is a left side view of the nozzle shown in FIG. 1;
FIG. 3 is a right side view of the nozzle shown in FIG. 1;
FIG. 4 is a rear view of the nozzle shown in FIG. 1;
FIG. 5 is a front view of the nozzle shown in FIG. 1; and,
FIG. 6 is a top view of the nozzle shown in FIG. 1.

1 Claim, 4 Drawing Sheets

(56) **References Cited**

U.S. PATENT DOCUMENTS

3,534,890	A *	10/1970	Iannacone	222/402.14
D251,851	S *	5/1979	Palm et al.	D23/418
D293,929	S *	1/1988	Verhees	D23/213
D308,170	S *	5/1990	Wilfong, Jr.	D9/447
D310,404	S *	9/1990	Hengesbach	D23/213
D419,069	S *	1/2000	Beck et al.	D9/443
D420,024	S *	2/2000	Rateman	D15/144.1
6,637,673	B1 *	10/2003	Zur et al.	239/463
D619,203	S *	7/2010	Mazzei	D23/213
D636,844	S *	4/2011	Herre et al.	D23/213



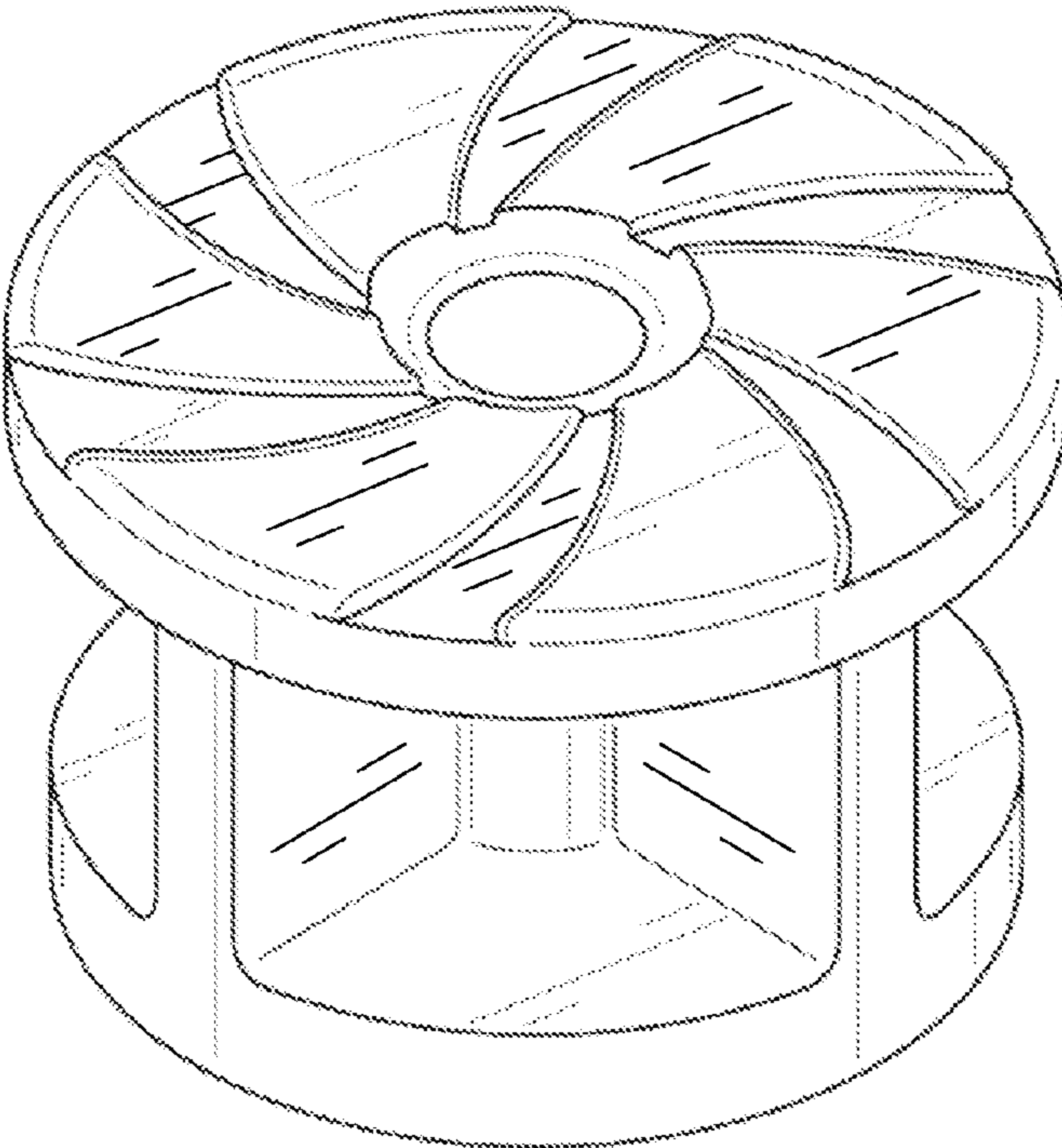


FIG. 1

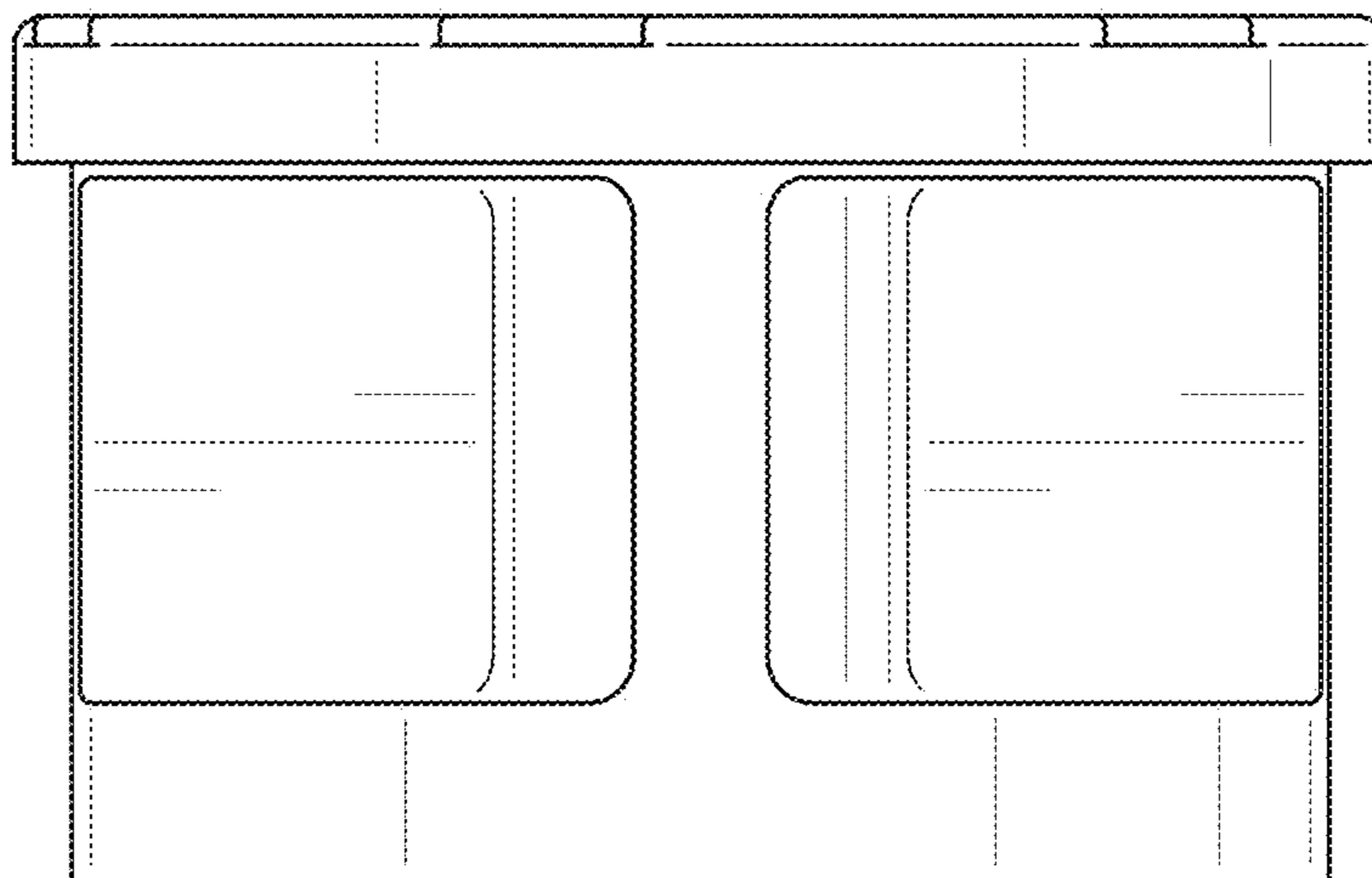


FIG. 2

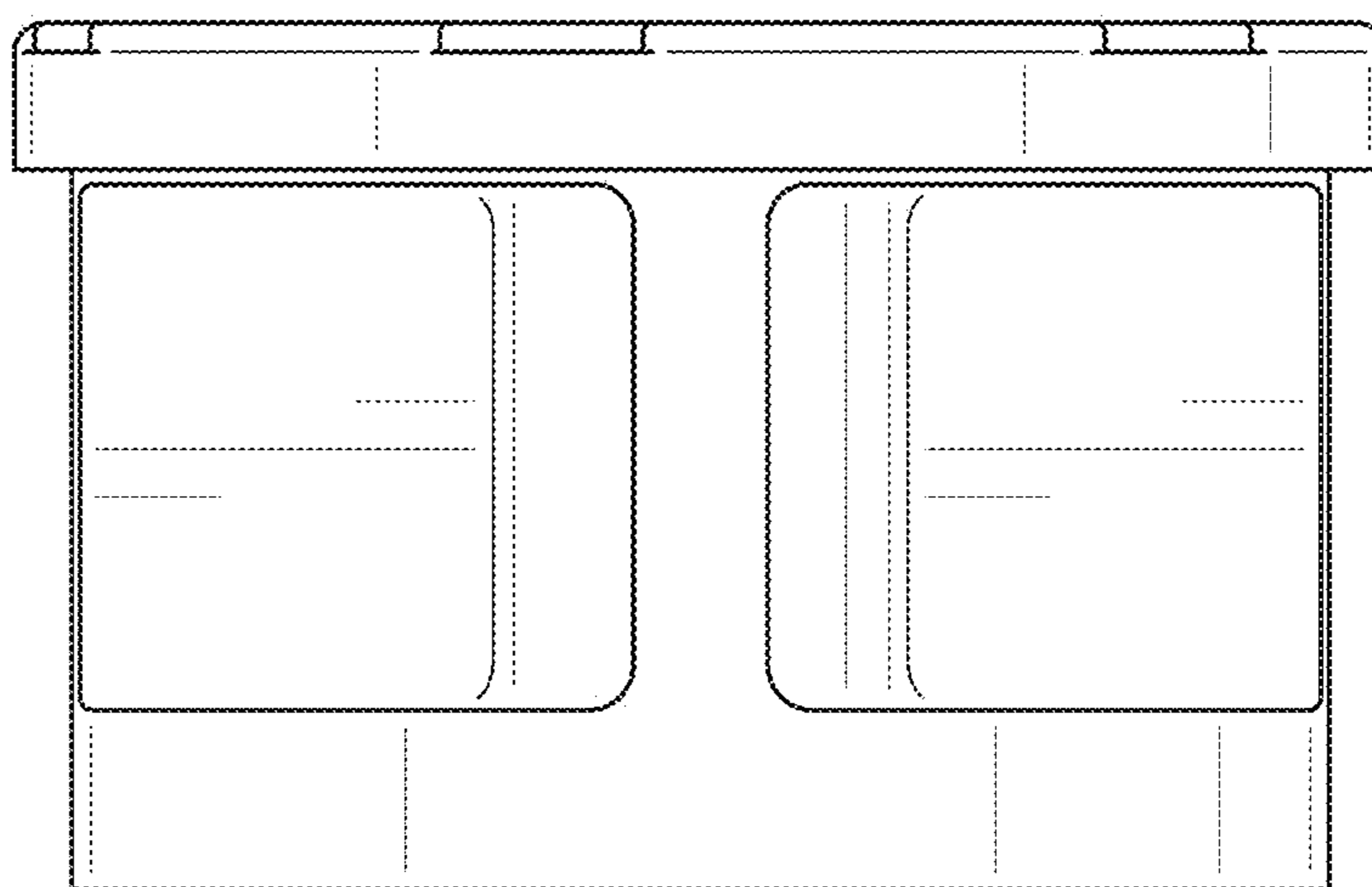


FIG. 3

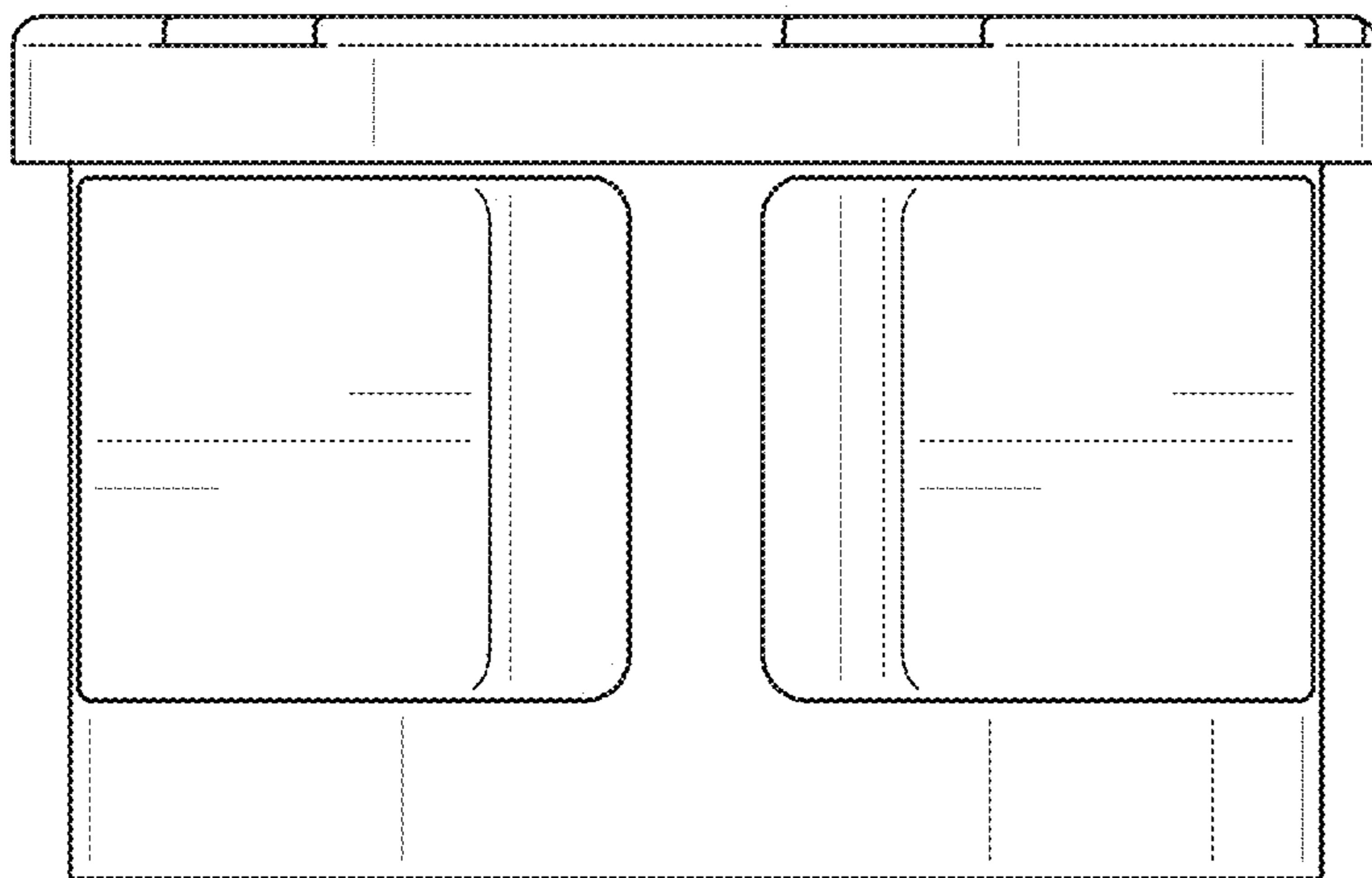


FIG. 4

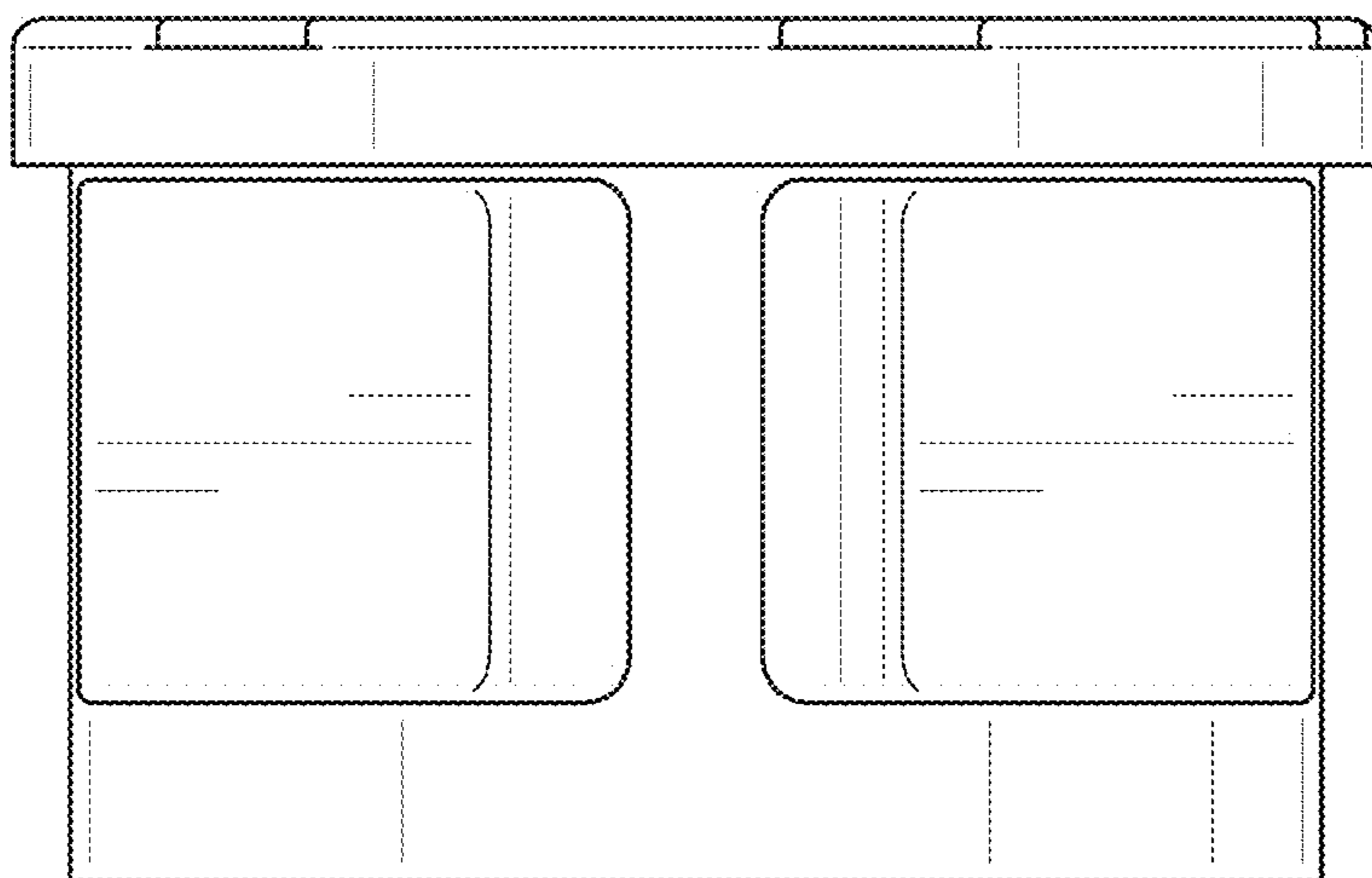


FIG. 5

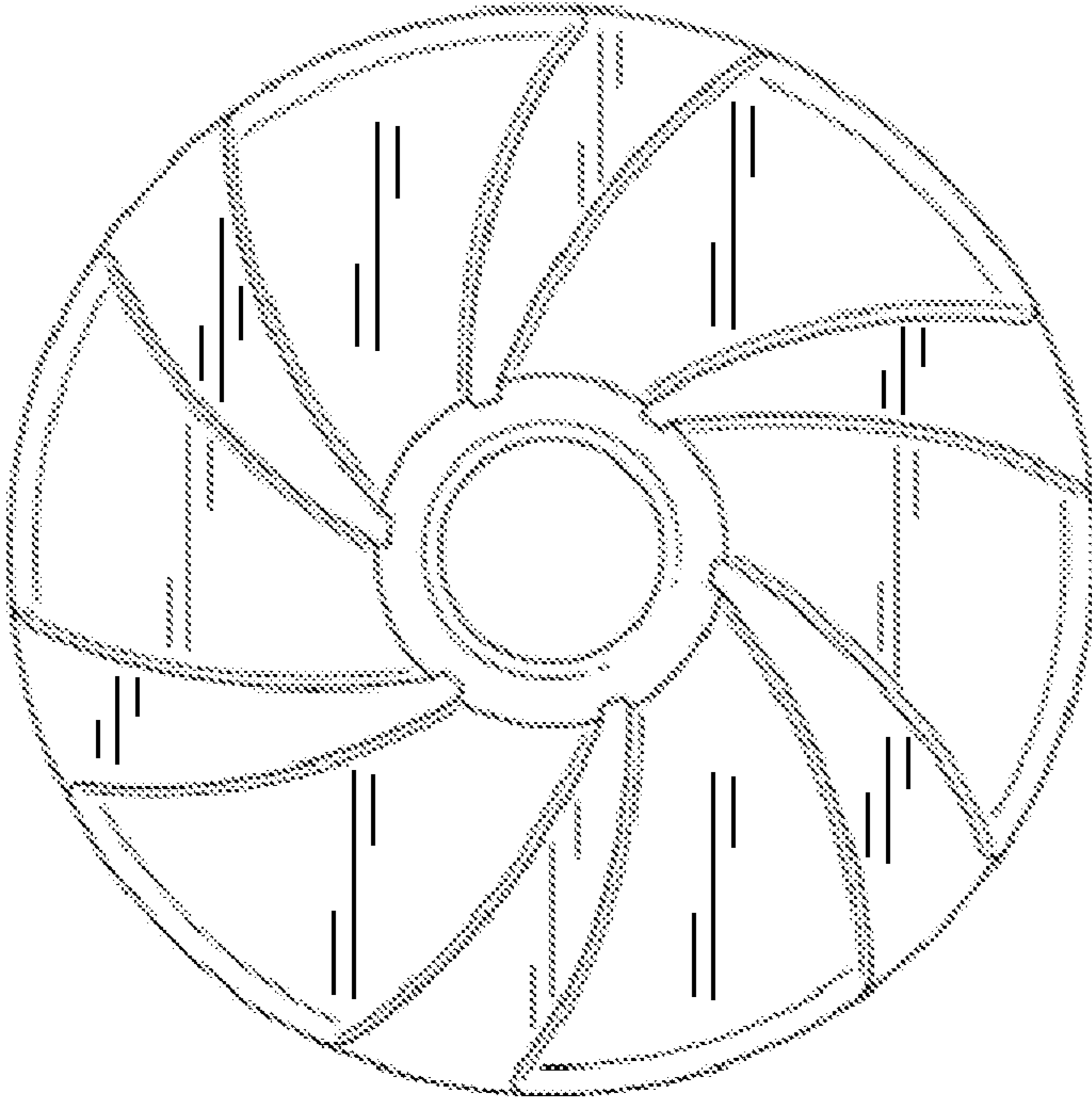


FIG. 6