



US00D740999S

(12) **United States Design Patent**
Yu

(10) **Patent No.:** **US D740,999 S**
(45) **Date of Patent:** **** Oct. 13, 2015**

(54) **LIGHTHEAD LENS**

(56) **References Cited**

(71) Applicant: **Ningbo Yinzhou Self Photoelectron Technology Co., Ltd.**, Ningbo, Zhejiang (CN)

U.S. PATENT DOCUMENTS

D279,929 S *	7/1985	Teague et al.	D26/122
D355,864 S *	2/1995	Lantz	D10/114.8
D385,370 S *	10/1997	Moore	D26/28
D477,887 S *	7/2003	Lin	D26/28
D519,232 S *	4/2006	Columbro	D26/28
D520,156 S *	5/2006	Campagna	D26/28
D530,437 S *	10/2006	Neufeglise et al.	D26/28
D535,761 S *	1/2007	Li et al.	D26/24
D554,280 S *	10/2007	Chen	D26/35
D558,366 S *	12/2007	Thomson	D26/28

(72) Inventor: **Feng Yu**, Ningbo (CN)

(73) Assignee: **NINGBO YINZHOU SELF PHOTOELECTRON TECHNOLOGY CO., LTD.**, Ningbo (CN)

(**) Term: **14 Years**

(Continued)

(21) Appl. No.: **29/502,126**

OTHER PUBLICATIONS

(22) Filed: **Sep. 11, 2014**

E39 headlight, image post date Nov. 16, 2013, site visited Aug. 11, 2015, (online), <[http://www.bimmerforums.com/forum/showthread.php?2055693-Replace-front-lens-on-2003-E39-headlights-\(cannot-be-baked\)*](http://www.bimmerforums.com/forum/showthread.php?2055693-Replace-front-lens-on-2003-E39-headlights-(cannot-be-baked)*)>.*

(30) **Foreign Application Priority Data**

(Continued)

May 16, 2014 (CN) 2014 3 0134997

(51) **LOC (10) Cl.** **26-99**

Primary Examiner — Kevin Rudzinski

(52) **U.S. Cl.**

Assistant Examiner — Sean D Lough

USPC **D26/120**; D26/28

(57) **CLAIM**

(58) **Field of Classification Search**

The ornamental design for a lighthouse lens, as shown and described.

USPC D26/9, 10, 12, 13, 15, 16, 24, 51, 61, D26/72, 76, 80, 81, 85, 86, 88, 90, 113, 118, D26/119, 120, 122, 128, 129, 138, 143, 144, D26/5, 6, 11, 79, 114, 116, 131, 137, 121, D26/127, 135, 180, 28; D13/180; D10/18, D10/21, 24, 25, 27, 28, 46, 93, 104.1, 113, D10/114, 116.1; D17/99

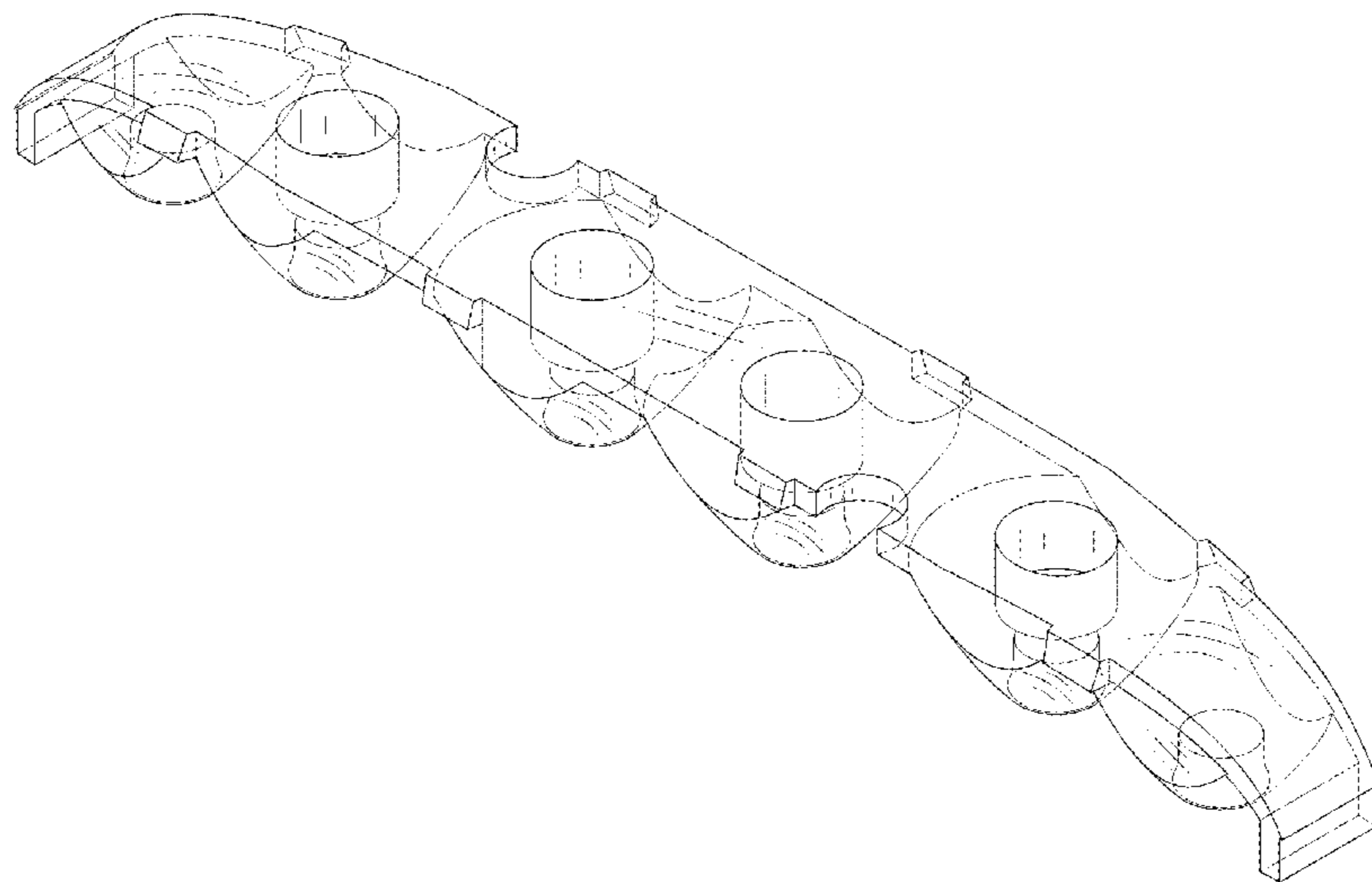
DESCRIPTION

CPC B60Q 1/04; B60Q 1/26; F21S 8/026; F21S 8/04; F21V 29/004; F21V 21/02; F21V 21/04; F21V 29/2212; F21V 37/002; F21V 7/00; F21V 29/83; F21V 7/22; F21Y 2101/02; F21L 19/00; F23D 11/443; A61L 9/037

FIG. 1 is a front elevational view of a lighthouse lens showing my new design;
FIG. 2 is a rear elevational view thereof;
FIG. 3 is a left side view thereof;
FIG. 4 is a right side view thereof;
FIG. 5 is a top plan view thereof;
FIG. 6 is a bottom plan view thereof;
FIG. 7 is a first perspective view thereof;
FIG. 8 is a second perspective view thereof; and,
FIG. 9 is a third perspective view thereof.

See application file for complete search history.

1 Claim, 8 Drawing Sheets



(56)

References Cited

U.S. PATENT DOCUMENTS

D571,029 S * 6/2008 Beigel et al. D26/28
 7,397,984 B2 * 7/2008 Kuo et al. 385/33
 7,465,070 B2 * 12/2008 Engel 362/297
 D589,835 S * 4/2009 Pokorny D10/114.1
 D598,145 S * 8/2009 Amor et al. D26/28
 D603,074 S * 10/2009 Krauss D26/28
 D612,977 S * 3/2010 Chen D26/128
 D615,696 S * 5/2010 Hecht D26/122
 D618,572 S * 6/2010 Shin D10/114.1
 D619,752 S * 7/2010 Zhang D26/120
 7,789,661 B2 * 9/2010 Ostler et al. 433/29
 D627,094 S * 11/2010 Verelst D26/85
 7,866,868 B2 * 1/2011 Shiau et al. 362/606
 D631,995 S * 2/2011 Huschke D26/28
 D632,421 S * 2/2011 Vukosic et al. D26/124
 D636,508 S * 4/2011 Nagano D26/28
 D644,771 S * 9/2011 Okuda D26/28
 D646,686 S * 10/2011 Cacioppo et al. D14/453
 8,042,980 B2 * 10/2011 Ookubo et al. 362/512
 D649,488 S * 11/2011 Deyaf D10/114.4
 D649,928 S * 12/2011 Cui D12/608
 8,152,320 B2 * 4/2012 Goto 362/97.3
 D658,806 S * 5/2012 Huang D26/139
 D662,250 S * 6/2012 Wauters D26/85
 D663,228 S * 7/2012 Reinbach D10/114.4
 D667,975 S * 9/2012 Evrard et al. D26/28
 D667,987 S * 9/2012 Cai D26/122
 8,274,208 B2 * 9/2012 Miyake et al. 313/501
 D668,378 S * 10/2012 Cai D26/122
 D678,587 S * 3/2013 Fang D26/80
 D687,179 S * 7/2013 Kim D26/118
 8,550,674 B2 * 10/2013 Yu 362/493
 D695,445 S * 12/2013 Panchisin et al. D26/118
 D703,371 S * 4/2014 Yu D26/118
 8,757,848 B2 * 6/2014 Na et al. 362/327
 D710,048 S * 7/2014 Randolph et al. D26/120

D711,024 S * 8/2014 Kuwano D26/28
 D711,026 S * 8/2014 Haumann D26/31
 D711,028 S * 8/2014 Pritchett D26/37
 D711,562 S * 8/2014 Dickman et al. D26/28
 D712,505 S * 9/2014 Chen D22/199
 D713,989 S * 9/2014 Kim D26/122
 D714,993 S * 10/2014 Clendening et al. D26/118
 D714,994 S * 10/2014 Deyaf D26/120
 D715,987 S * 10/2014 Pugh D26/113
 8,871,313 B2 * 10/2014 Kim et al. 428/1.3
 D718,487 S * 11/2014 Hulse D26/118
 8,888,322 B2 * 11/2014 Alfier et al. 362/238
 8,888,323 B2 * 11/2014 Alfier et al. 362/241
 D718,897 S * 12/2014 Randolph D26/154
 D720,495 S * 12/2014 Richard et al. D26/139
 D720,723 S * 1/2015 Cho D14/215
 D722,186 S * 2/2015 Epmeier D26/28
 D723,211 S * 2/2015 Hsu D26/122
 D723,212 S * 2/2015 Hsu D26/124
 D728,149 S * 4/2015 Hiller et al. D26/89
 D729,677 S * 5/2015 Aho D10/114.4
 D731,702 S * 6/2015 Ye D26/118
 D733,946 S * 7/2015 Chen D26/28
 D735,390 S * 7/2015 Yanping D26/74
 D735,393 S * 7/2015 Hennessey et al. D26/89
 D735,400 S * 7/2015 Vasylyev D26/120
 9,086,193 B2 * 7/2015 Alfier et al. 1/1
 9,086,204 B2 * 7/2015 Zou et al. 1/1
 D735,910 S * 8/2015 Chang D26/28
 2013/0094209 A1 * 4/2013 Yu 362/236
 2015/0043219 A1 * 2/2015 Dai 362/311.02

OTHER PUBLICATIONS

Headlights, image post date Jun. 9, 2014, site visited Aug. 11, 2015, (online), <<http://www.ebay.com/gds/How-to-Buy-Headlights-on-eBay-/10000000177404675/g.html>>.*

* cited by examiner

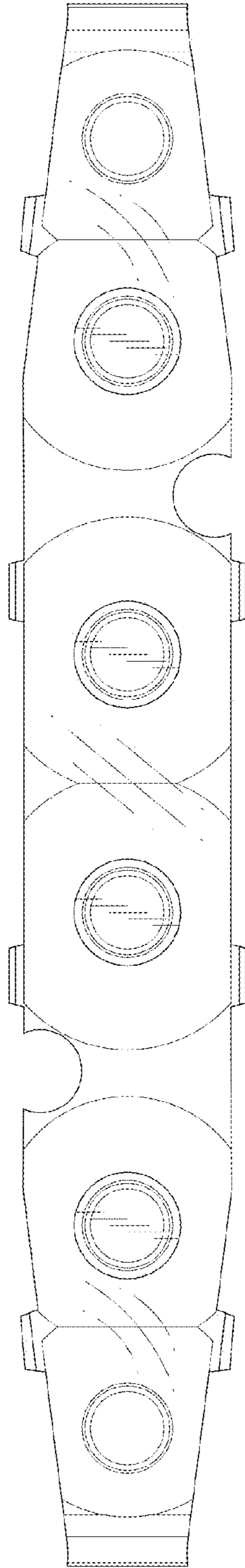


FIG.1

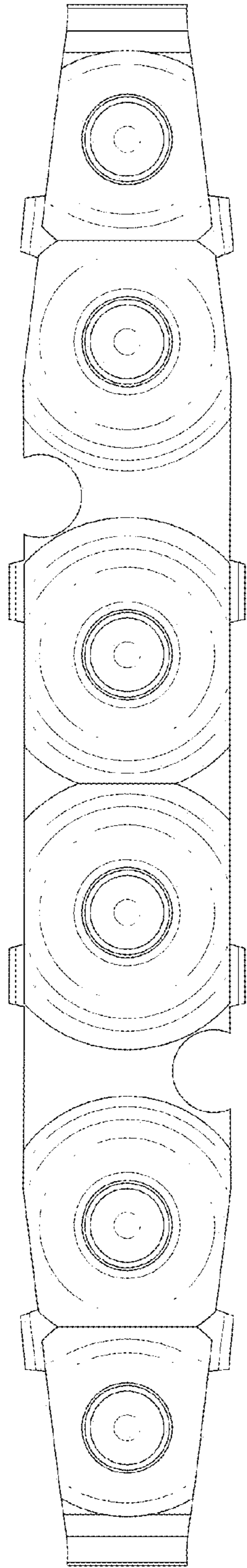


FIG.2

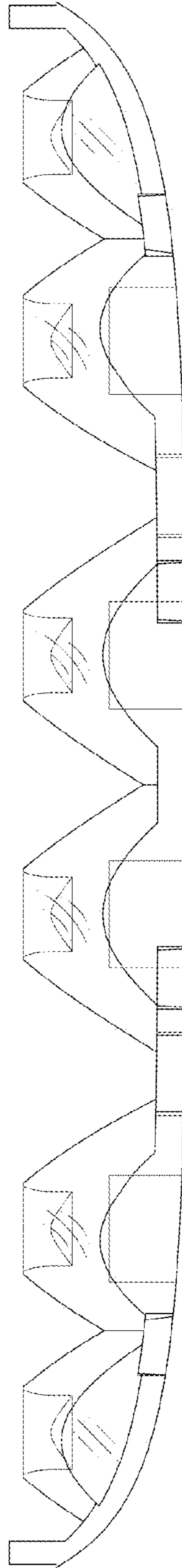


FIG.3

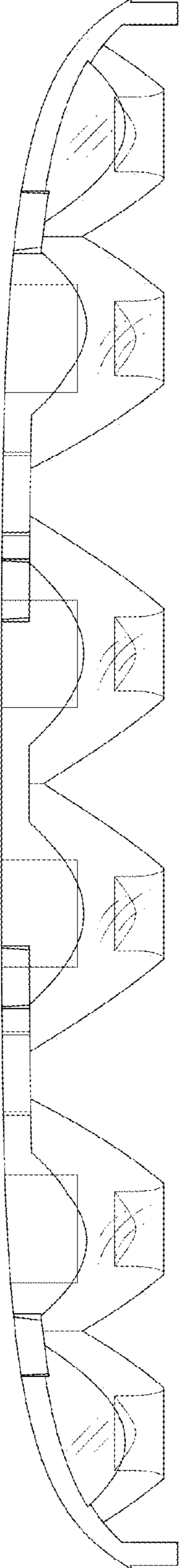


FIG.4

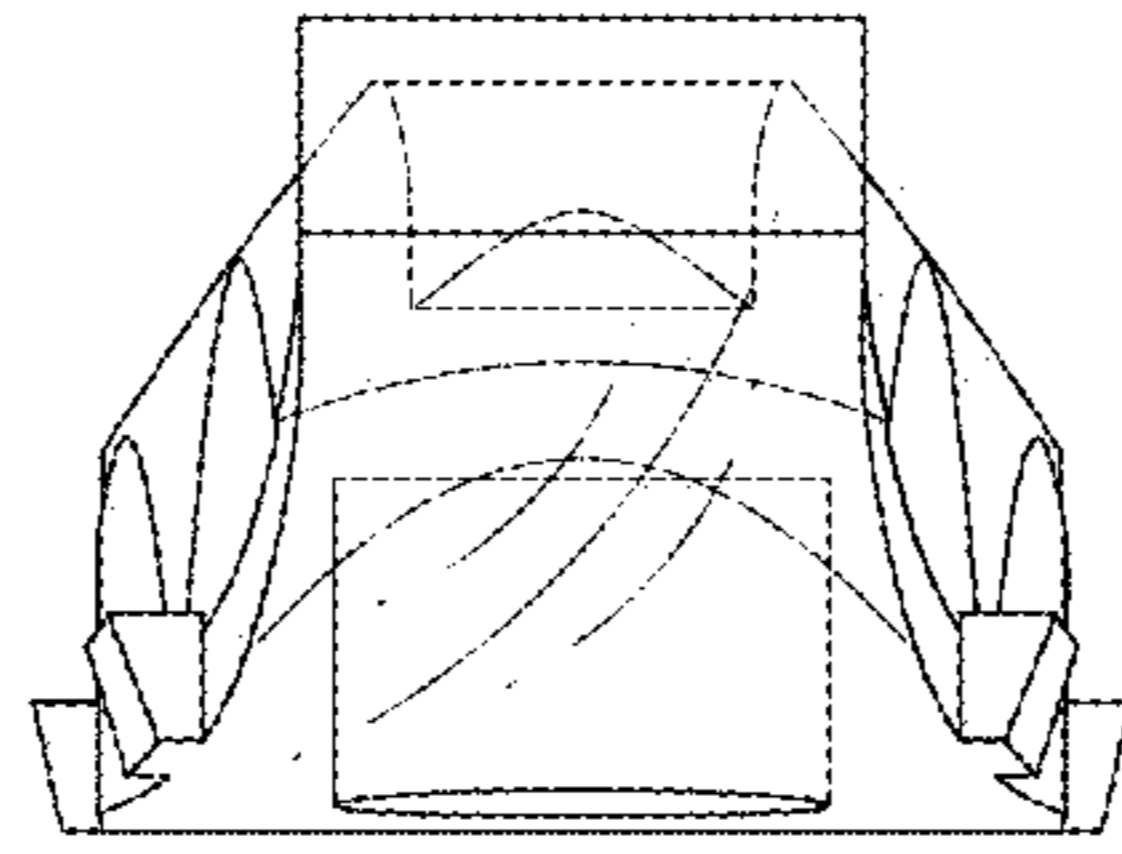


FIG.5

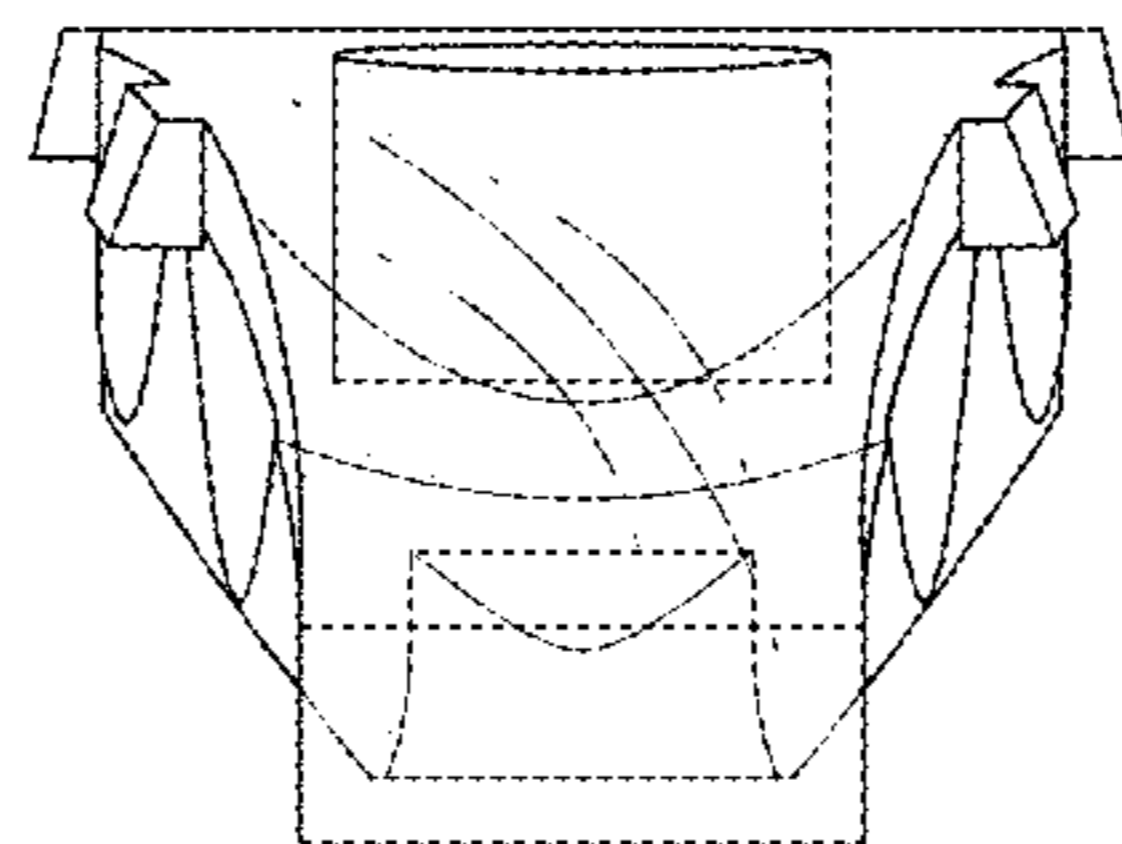


FIG.6

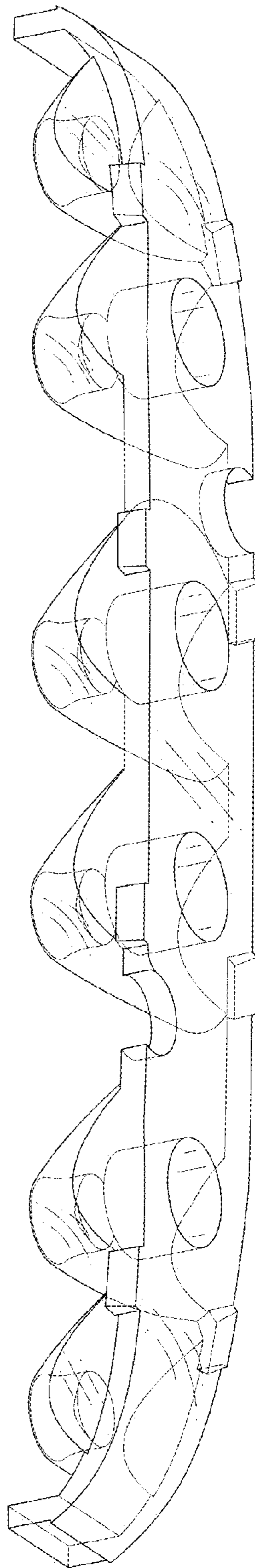


FIG.7

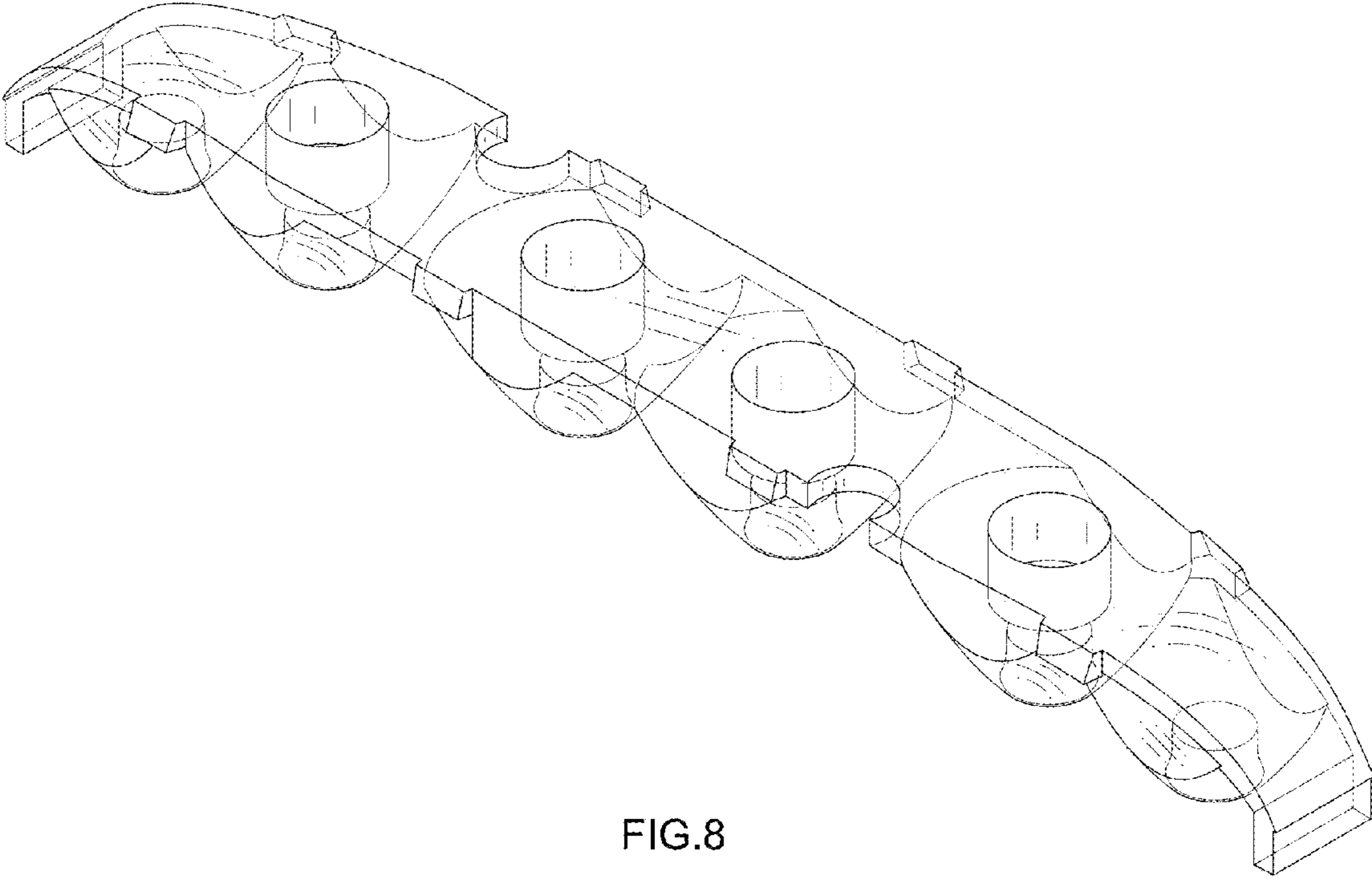


FIG.8

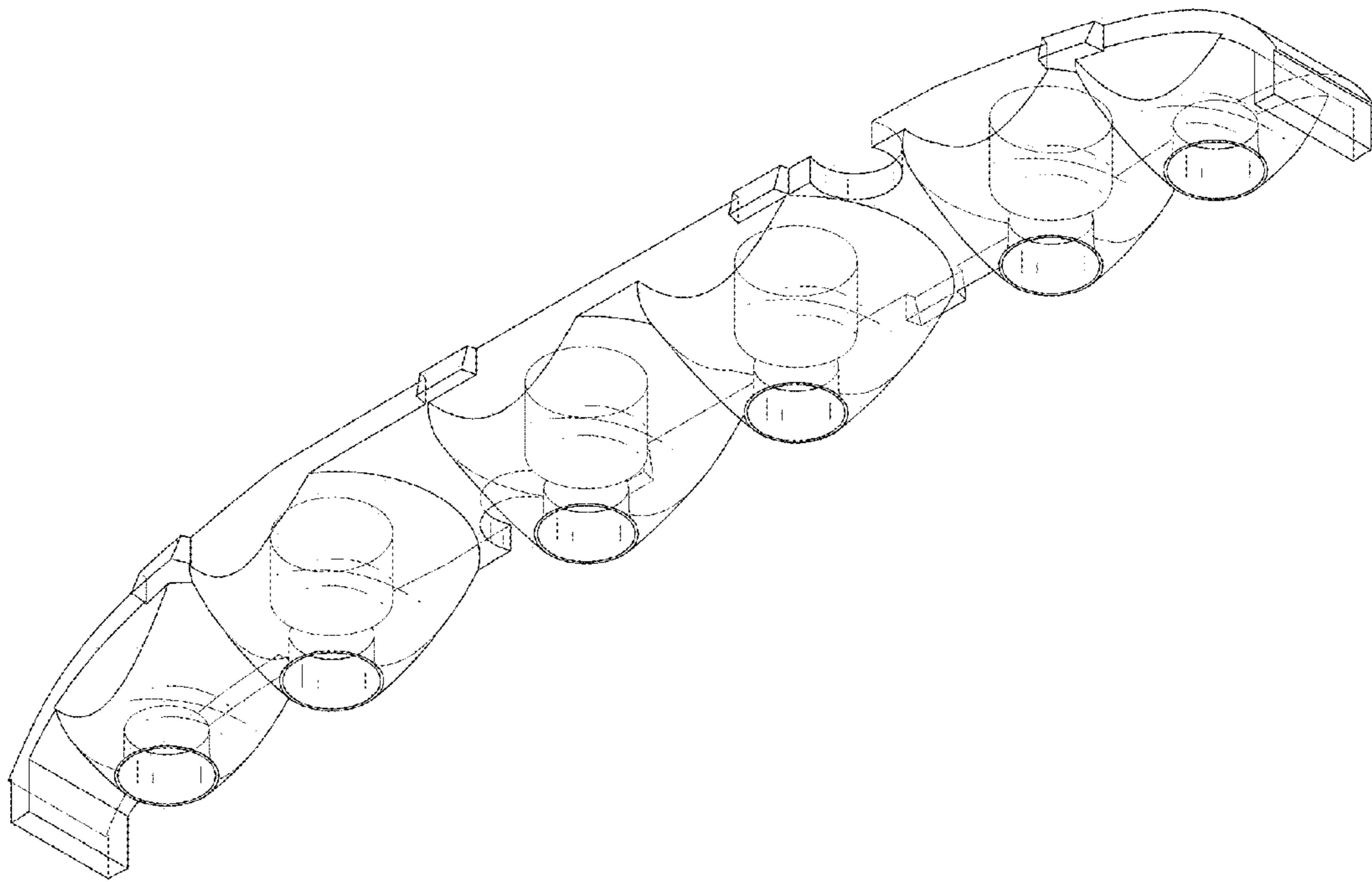


FIG.9