



US00D740997S

(12) **United States Design Patent**
Chang et al.

(10) **Patent No.:** **US D740,997 S**
(45) **Date of Patent:** **** Oct. 13, 2015**

(54) **LIGHTING FIXTURE**

(56) **References Cited**

- (71) Applicant: **Atlas Lighting Products, Inc.**,
Burlington, NC (US)
- (72) Inventors: **Cheng S. Chang**, Elon, NC (US); **Scott T. Ellingson**, Graham, NC (US); **James H. Bennett**, Greensboro, NC (US); **R. Samuel Hunt, III**, Burlington, NC (US)
- (73) Assignee: **Atlas Lighting Products, Inc.**,
Burlington, NC (US)
- (**) Term: **14 Years**
- (21) Appl. No.: **29/494,228**
- (22) Filed: **Jun. 18, 2014**

U.S. PATENT DOCUMENTS

3,751,657 A *	8/1973	Sangiama et al.	362/294
3,775,606 A *	11/1973	Bazell et al.	362/294
D345,025 S *	3/1994	Tsao	D26/63
D345,226 S *	3/1994	Tsao	D26/63
D355,502 S	2/1995	Liao	
D360,962 S *	8/1995	Cornell et al.	D26/67
D407,836 S	4/1999	Leen	
D420,458 S	2/2000	Guercio	

(Continued)

OTHER PUBLICATIONS

“ASF Aeris by Lithonia”, (<http://www.acuitybrandslighting.com/library/LL/documents/PSG/ASF.pdf>), known at least as early as Jan. 8, 2014, 1 pg.

(Continued)

Related U.S. Application Data

(63) Continuation of application No. 29/478,845, filed on Jan. 9, 2014, now Pat. No. Des. 710,530.

(51) **LOC (10) Cl.** **26-99**

(52) **U.S. Cl.**
USPC **D26/118**

(58) **Field of Classification Search**

USPC D26/24, 26, 28, 29, 34, 37, 38, 43, 44,
D26/51, 59, 60, 61, 63, 66, 67, 68, 72, 74,
D26/76, 85, 86, 88, 89, 91, 113, 118, 119,
D26/120, 122–124, 138, 140–146;
362/145–148, 150, 153, 153.1, 218,
362/249.01–249.05, 294, 296.01, 296.07,
362/296.08, 311.07, 311.09, 311.1, 345,
362/362, 364, 365, 366, 368, 370, 371, 373,
362/397, 418, 427, 428, 460, 473–476,
362/546–548
CPC F21V 21/14; F21V 21/06; F21V 21/08;
F21V 15/04; F21V 17/002

See application file for complete search history.

Primary Examiner — Cynthia Ramirez

Assistant Examiner — Llorelys Martinez-Rivera

(74) *Attorney, Agent, or Firm* — Womble Carlyle Sandridge & Rice, LLP

(57) **CLAIM**

The ornamental design for a lighting fixture, as shown and described.

DESCRIPTION

FIG. 1 is a right side view of a lighting fixture showing our new design;

FIG. 2 is a top view thereof;

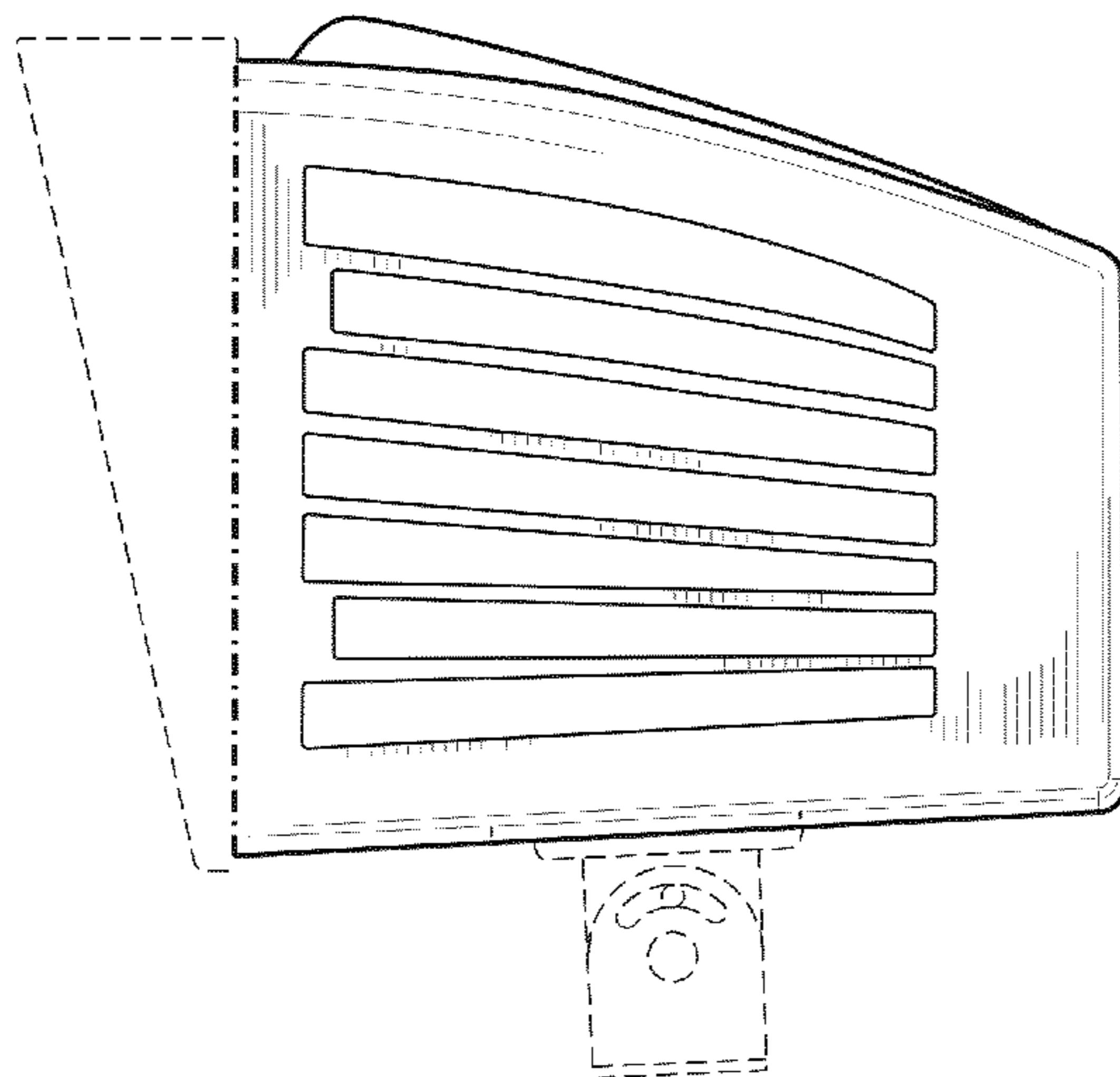
FIG. 3 is a rear view thereof;

FIG. 4 is a front view thereof; and,

FIG. 5 is a front right perspective view thereof.

The dash-dot lines in FIGS. 1 through 3 and 5, immediately adjacent to the shaded area, illustrate unclaimed boundaries of the design. The other broken lines in the drawings illustrate environmental subject matter only and form no part of the claimed design.

1 Claim, 5 Drawing Sheets



(56)

References Cited

U.S. PATENT DOCUMENTS

D434,515 S 11/2000 McNamara
 D479,015 S 8/2003 Tang
 D482,153 S 11/2003 McNamara
 D545,987 S 7/2007 Guercio
 D547,477 S * 7/2007 Guercio D26/63
 D547,478 S 7/2007 Guercio
 D549,380 S 8/2007 Guercio
 D550,387 S 9/2007 Guercio
 D550,392 S 9/2007 Guercio
 D551,789 S 9/2007 Mullen
 D552,282 S 10/2007 Guercio
 D552,283 S 10/2007 Guercio
 D561,369 S * 2/2008 Sandell D26/63
 D561,370 S * 2/2008 Sandell D26/63
 D563,587 S 3/2008 Quiogue et al.
 D565,223 S 3/2008 Guercio
 D566,318 S * 4/2008 Quiogue et al. D26/63
 D574,102 S 7/2008 Quiogue et al.
 D598,144 S 8/2009 Ko
 D606,691 S 12/2009 Lindholm
 D610,296 S * 2/2010 Boissevain et al. D26/85
 D618,374 S * 6/2010 Guercio D26/63
 D642,719 S 8/2011 Lindholm et al.
 D643,147 S 8/2011 Guercio et al.

D650,112 S 12/2011 Bryant
 D659,280 S * 5/2012 Guercio et al. D26/118
 D670,024 S 10/2012 Green et al.
 D679,856 S 4/2013 Guercio et al.
 D710,530 S * 8/2014 Chang et al. D26/118
 D713,075 S * 9/2014 Lee D26/28
 2010/0014289 A1 * 1/2010 Thomas et al. 362/294

OTHER PUBLICATIONS

“CSXW-LED” by Lithonia Lighting (<http://www.lithonia.com/commercial/csxw-led.html#Uz7GnDfD-Ag>), known at least as early as Jan. 8, 2014, 2 pgs.
 “Laramie LFS LED” by Hubbell Outdoor Lighting, (http://www.hubbelloutdoor.com/products/laramie_lfs_led/?pbid=924038_1208957), known at least as early as Jan. 8, 2014, 2 pgs.
 “VFS Vision Flood Small LED” by Cooper Lighting (http://www.cooperindustries.com/content/dam/publiclighting/products/documents/invue/spec_sheets/invue-vfs-led-101240-sss.pdf), known at least as early as Jan. 8, 2014, 2 pgs.
 Atlas Lighting Products brochure entitled High Performance LED Fixtures-Atlas LED, known at least as early as Jul. 28, 2013, 28 pgs.
 Rab Lighting Spring 2014 LED Catalog, known at least as early as Mar. 2013, 54 pgs.

* cited by examiner

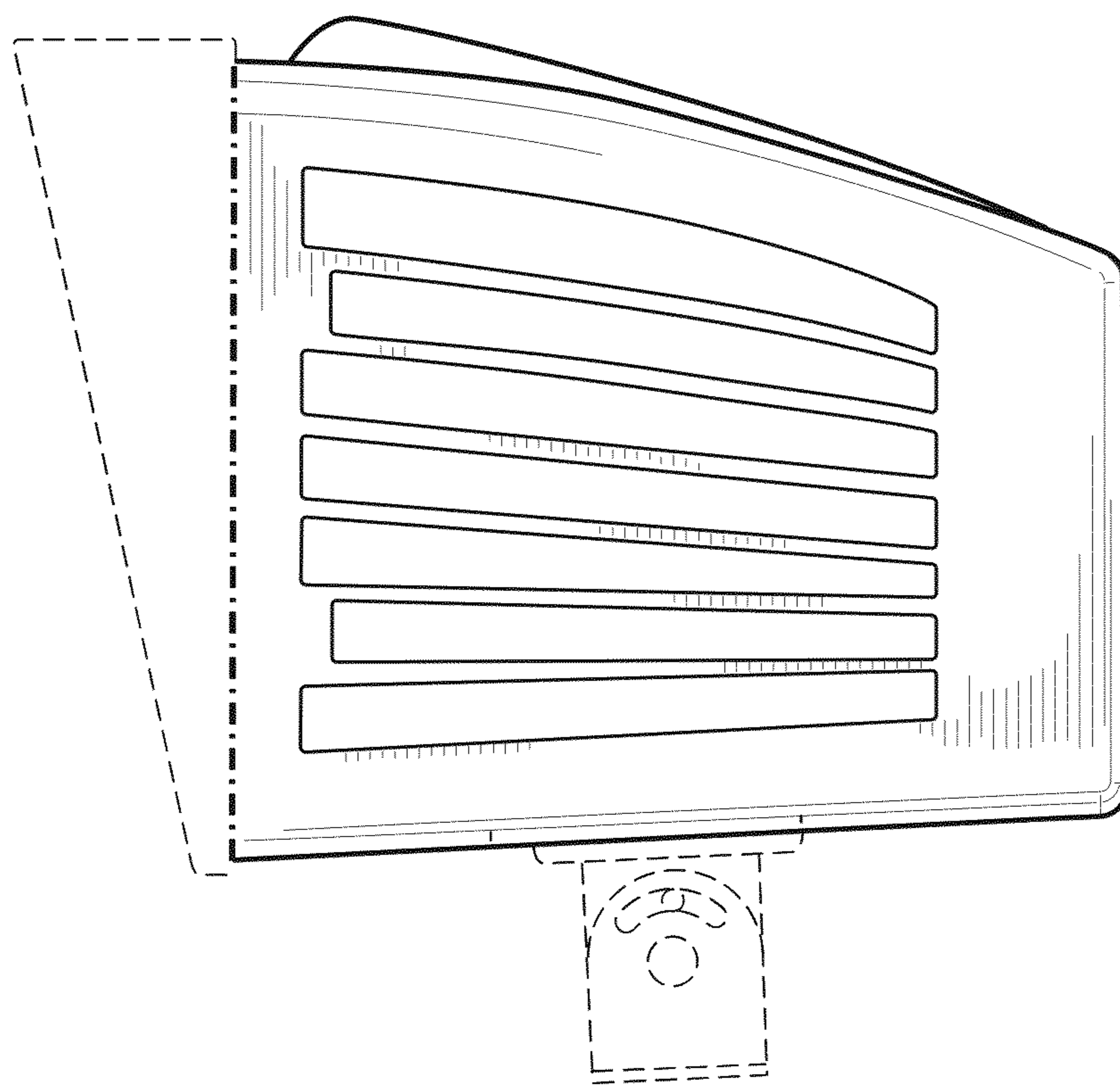


FIG. 1

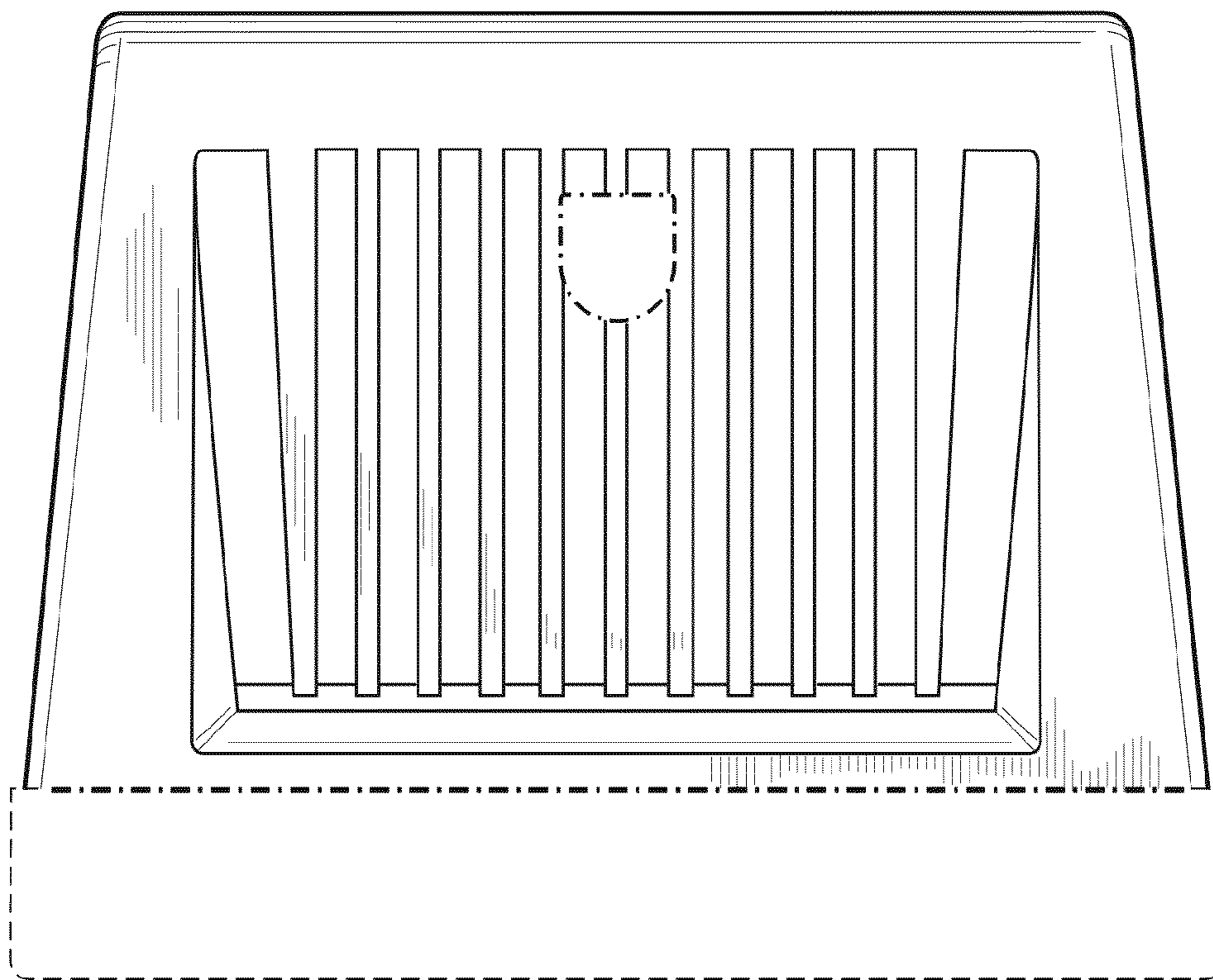


FIG. 2

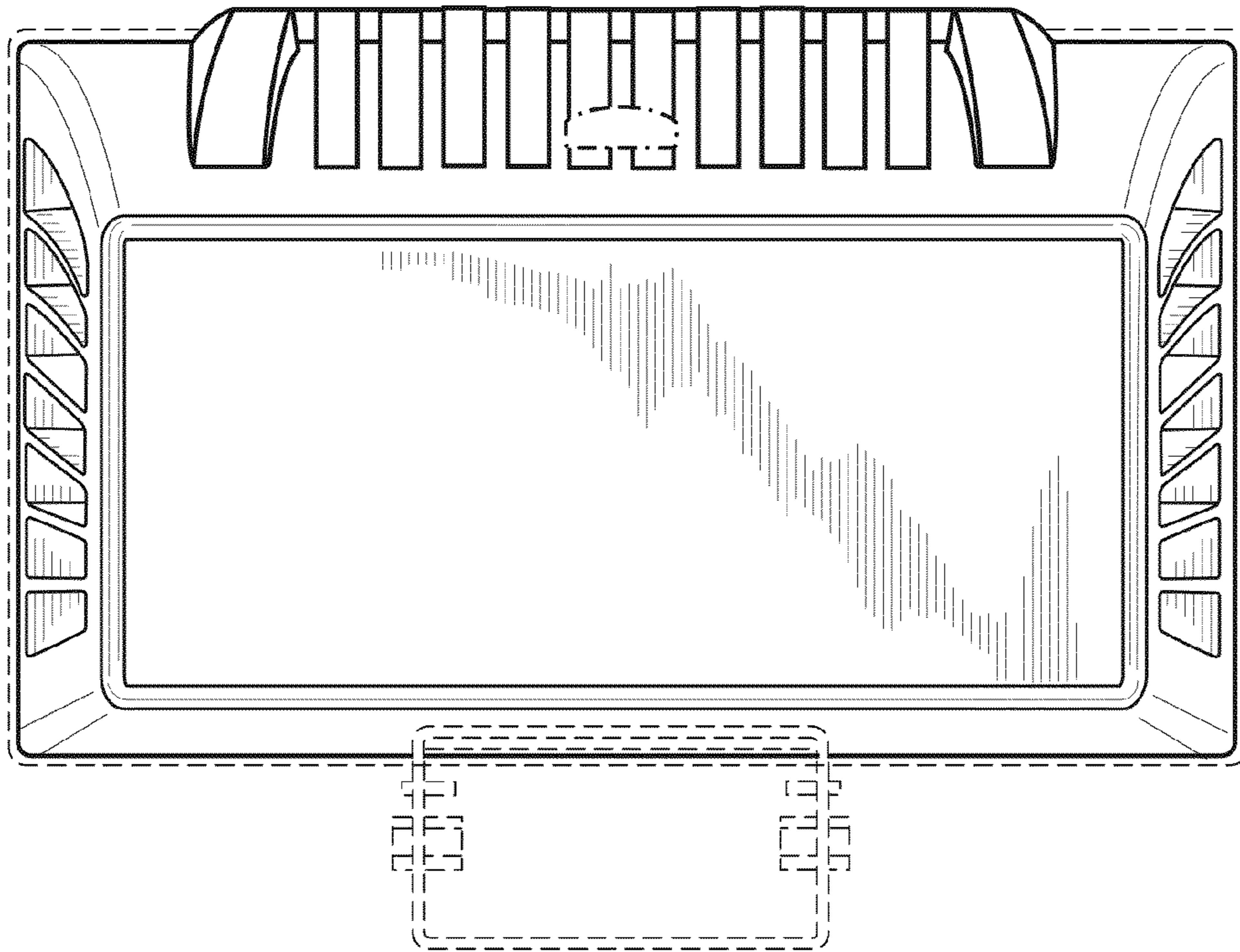


FIG. 3

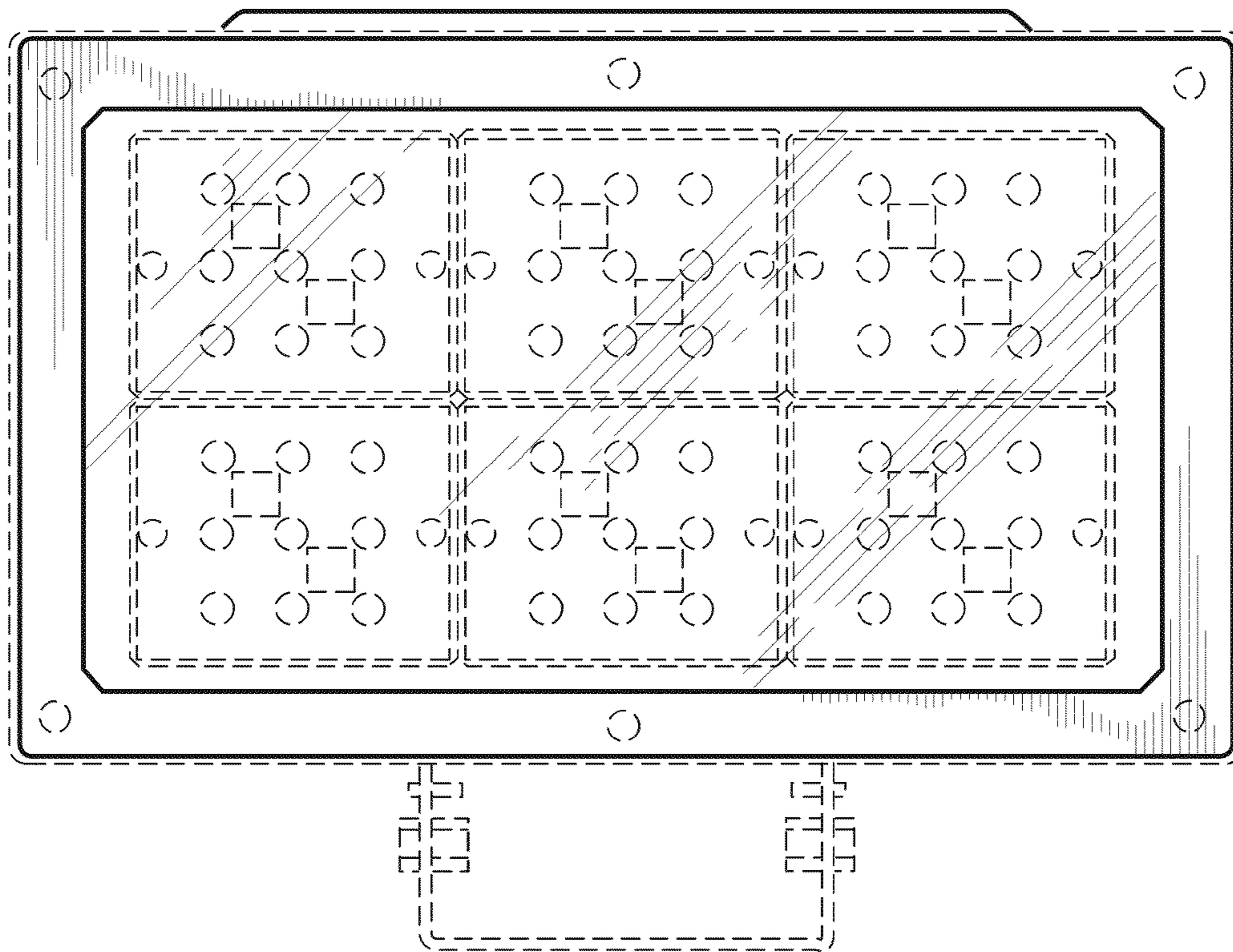


FIG. 4

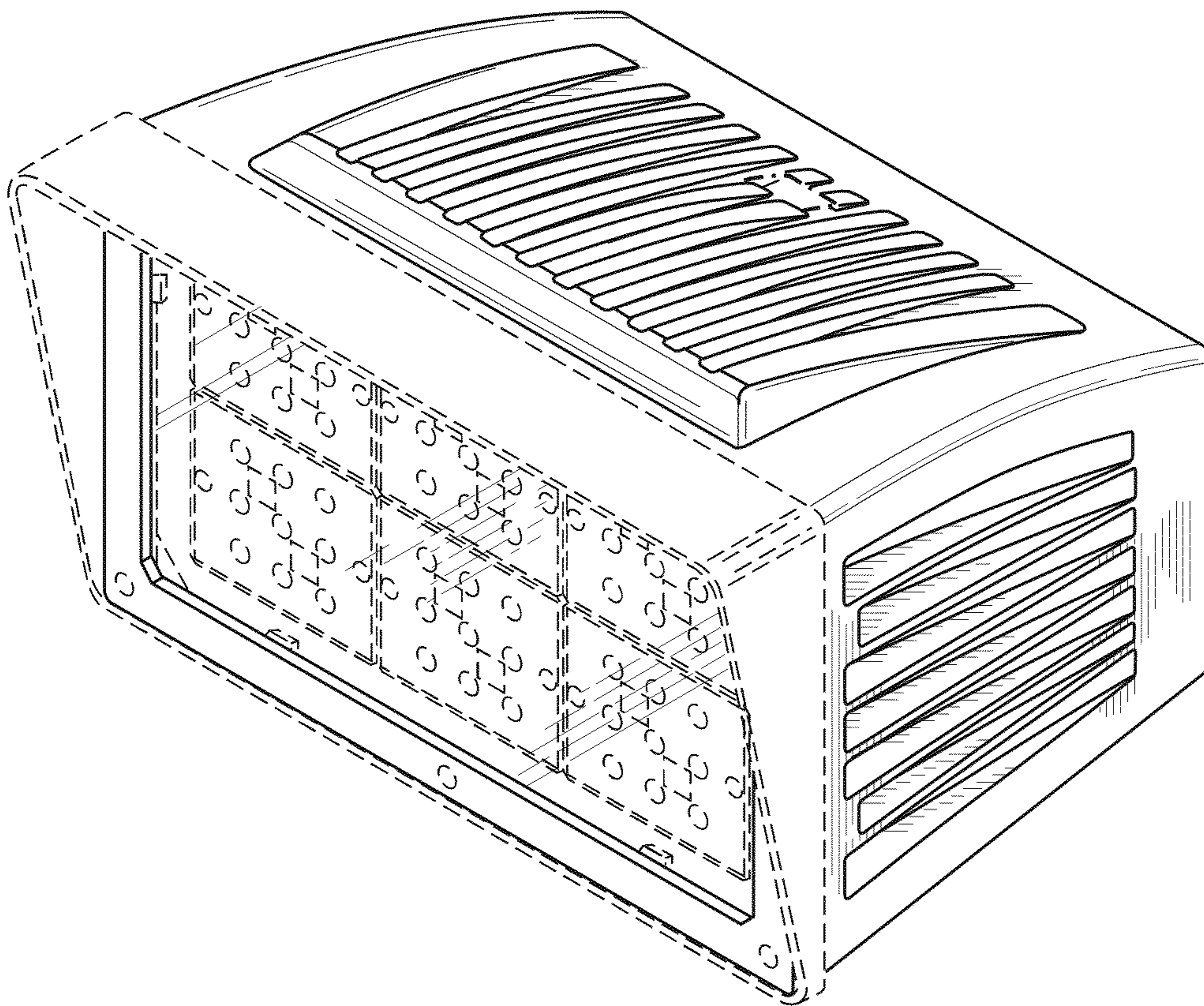


FIG. 5