



US00D740993S

(12) **United States Design Patent**
Blum et al.

(10) **Patent No.:** **US D740,993 S**
(45) **Date of Patent:** **** Oct. 13, 2015**

(54) **LUMINAIRE**

8,430,530 B2 4/2013 Aurongzeb et al.
D701,991 S * 4/2014 Blum et al. D26/90
9,052,083 B2 * 6/2015 Stein

(71) Applicant: **ABL IP Holding, LLC**, Conyers, GA
(US)

* cited by examiner

(72) Inventors: **Darren Blum**, San Mateo, CA (US);
Peter Y. Y. Ngai, Alamo, CA (US);
Michael Trung Tran, Oakland, CA (US)

Primary Examiner — Clare E Heflin
(74) *Attorney, Agent, or Firm* — Beeson Skinner Beverly,
LLP

(73) Assignee: **ABL IP Holding, LLC**, Conyers, GA
(US)

(57) **CLAIM**
The ornamental design for a luminaire, as shown and
described.

(**) Term: **14 Years**

(21) Appl. No.: **29/491,392**

DESCRIPTION

(22) Filed: **May 20, 2014**

(51) **LOC (10) Cl.** **26-03**

(52) **U.S. Cl.**
USPC **D26/90**

(58) **Field of Classification Search**
USPC D26/76, 80, 86, 88, 90, 91, 118, 120
CPC F21S 8/06; F21S 8/061; F21S 8/063;
F21S 8/065; F21S 8/068; F21V 5/007; F21V
5/005; F21V 5/008
See application file for complete search history.

FIG. 1 is a bottom perspective view of a luminaire showing
our new design;
FIG. 2 is a right side elevational view thereof, the left side
being a mirror image;
FIG. 3 is an end elevational view thereof shown from one end,
the other end being a mirror image;
FIG. 4 is a top plan view thereof;
FIG. 5 is a bottom plan view thereof;
FIG. 6 is an enlarged bottom perspective view thereof,
wherein the luminaire is shown broken away to indicate inde-
terminate length.
FIG. 7 is a side elevational view thereof.
FIG. 8 is an end elevational view thereof;
FIG. 9 is a top plan view thereof; and,
FIG. 10 is a bottom plan view thereof.

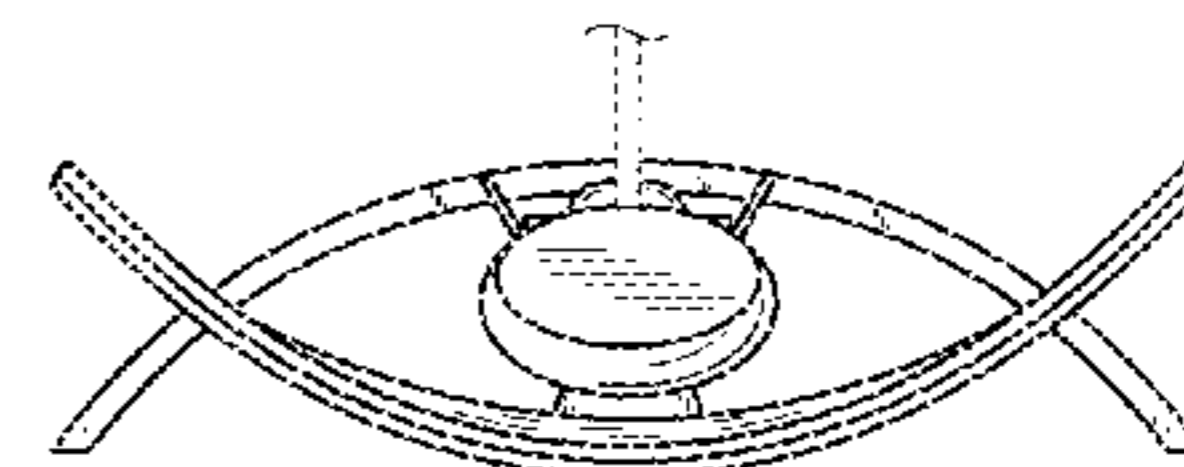
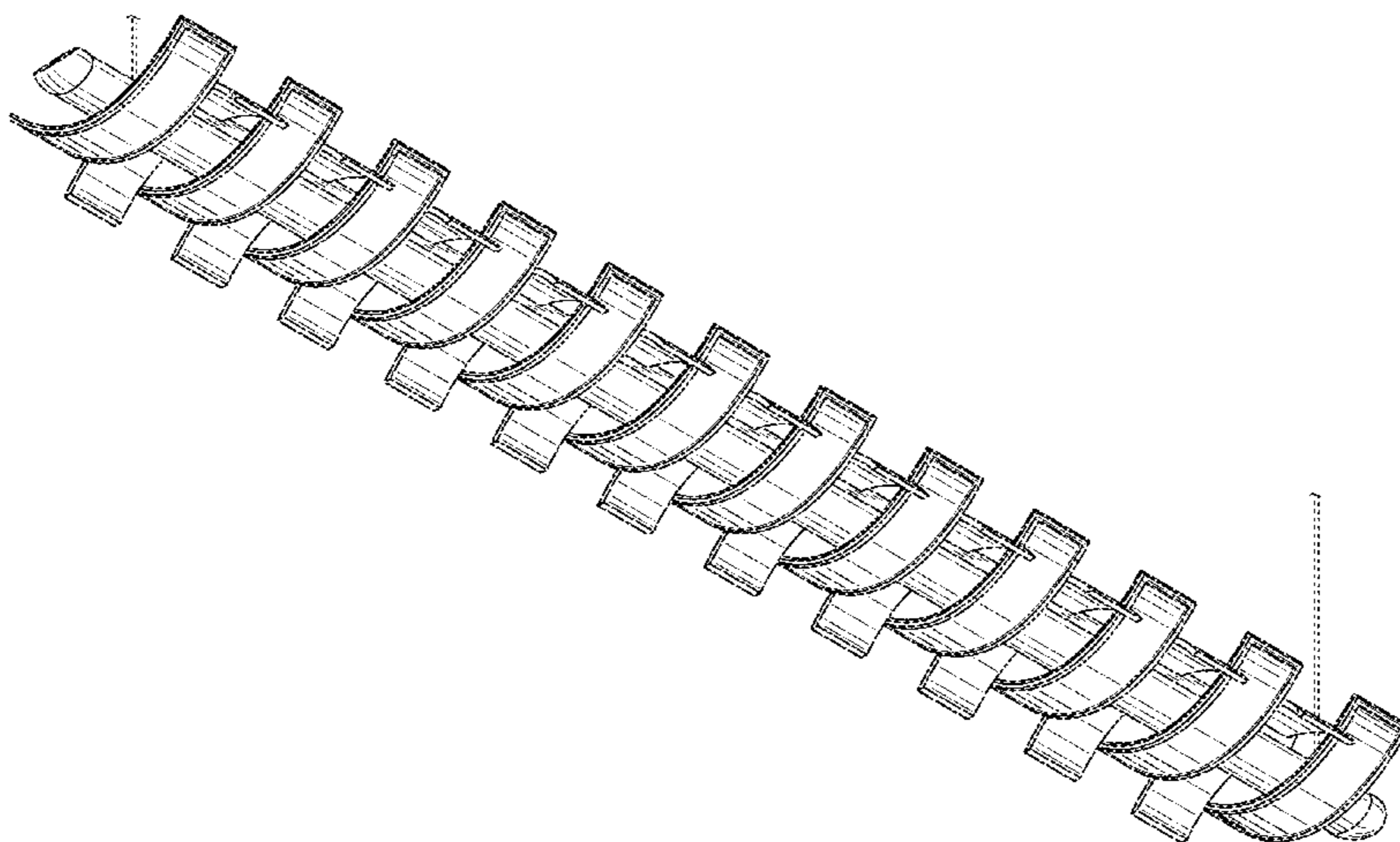
The claimed design is comprised of repeating elements
arranged along a spine having end caps. The broken lines
shown in FIGS. 1-4 and 6-8 represent suspension cables that
form no part of the claimed design. The fixture is shown
broken away in FIGS. 6-10 to represent a continuation of the
design uniformly along a non-specific length.

(56) **References Cited**

U.S. PATENT DOCUMENTS

D162,278 S *	3/1951	Ainsworth	D26/78
D203,405 S *	1/1966	Crawfprd	D26/90
D459,014 S *	6/2002	Chen	D26/85
6,543,912 B1 *	4/2003	Simon	362/327
D520,666 S *	5/2006	Kotovskiy et al.	D26/76
D537,553 S *	2/2007	Kotovskiy et al.	D26/75
D561,926 S	2/2008	Salman		
D575,898 S	8/2008	Tran et al.		
D597,245 S *	7/2009	Trumble et al.	D26/90
D597,701 S	8/2009	Tran et al.		

1 Claim, 5 Drawing Sheets



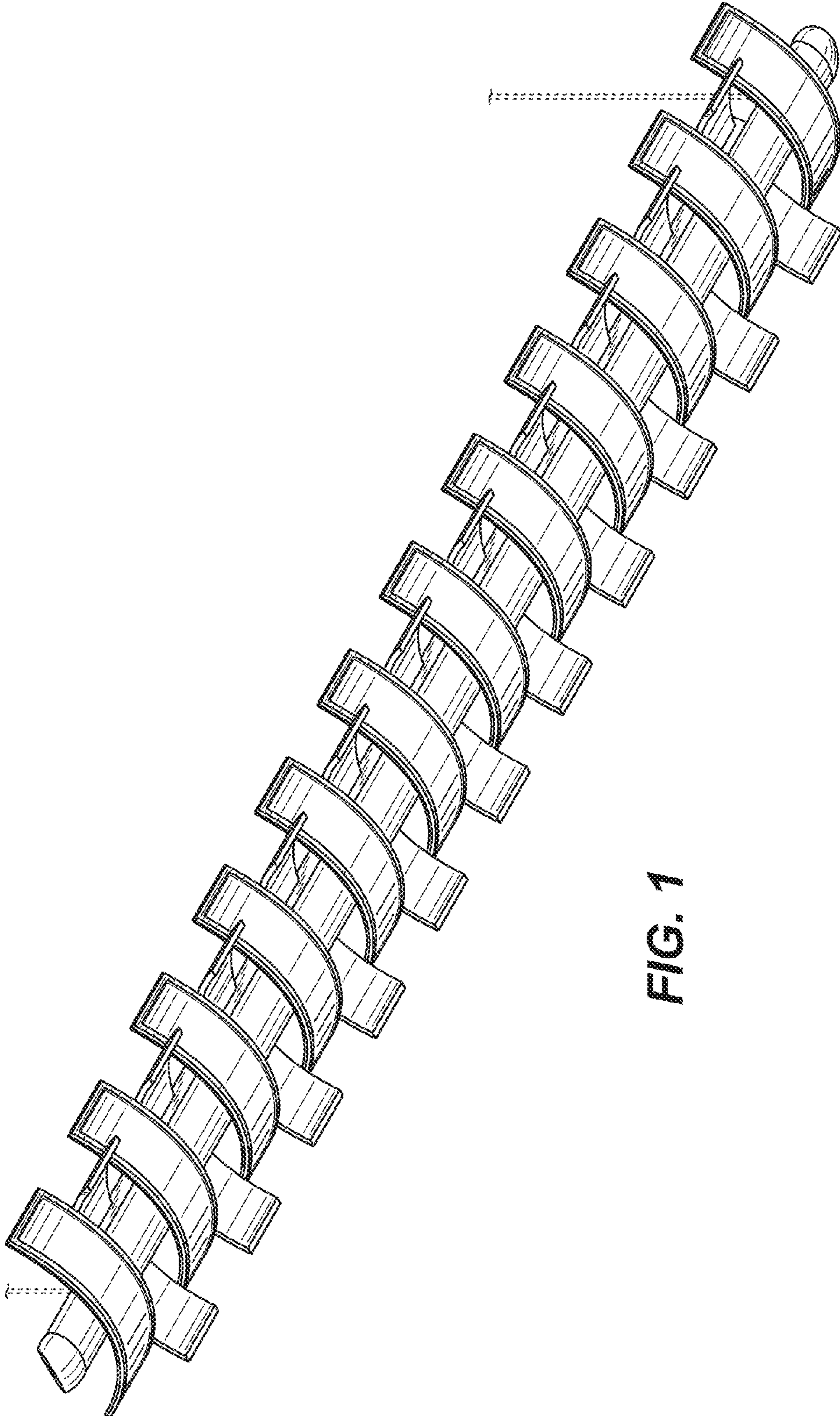


FIG. 1

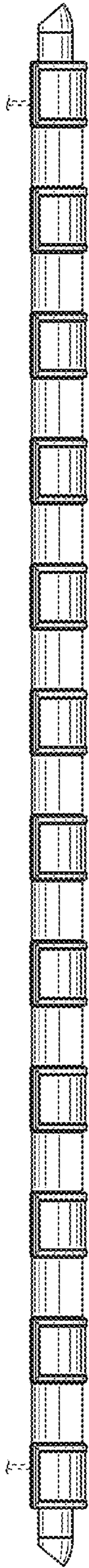


FIG. 2

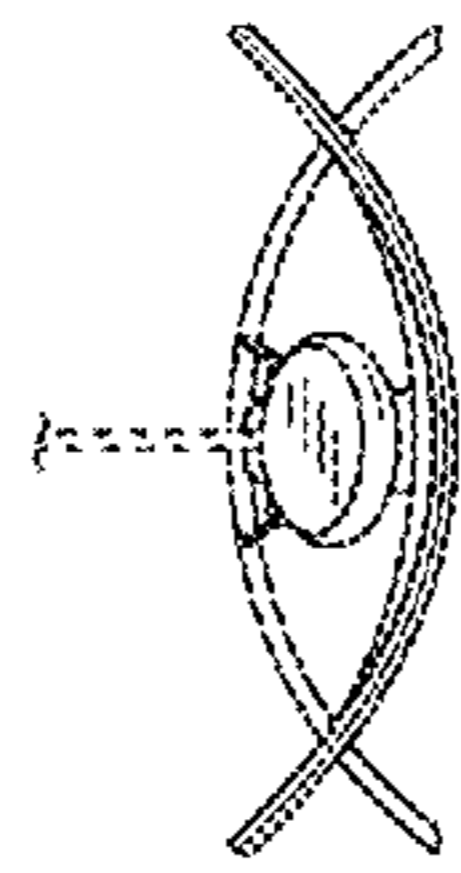


FIG. 3

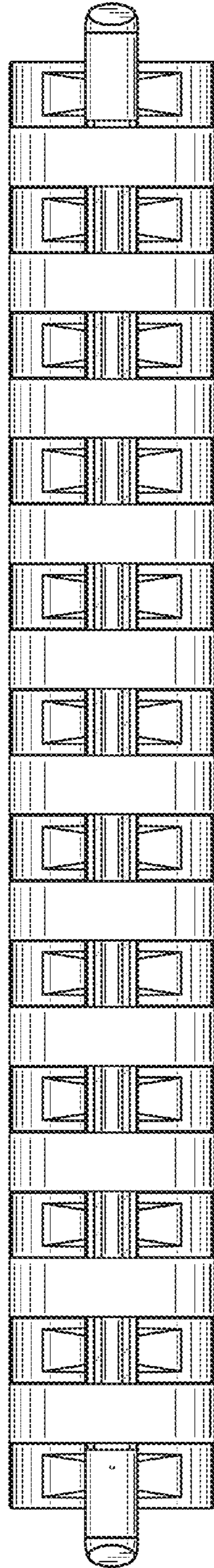


FIG. 4

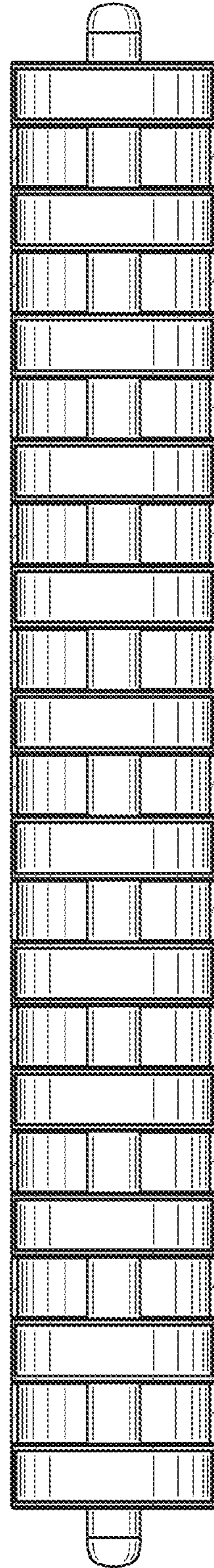


FIG. 5

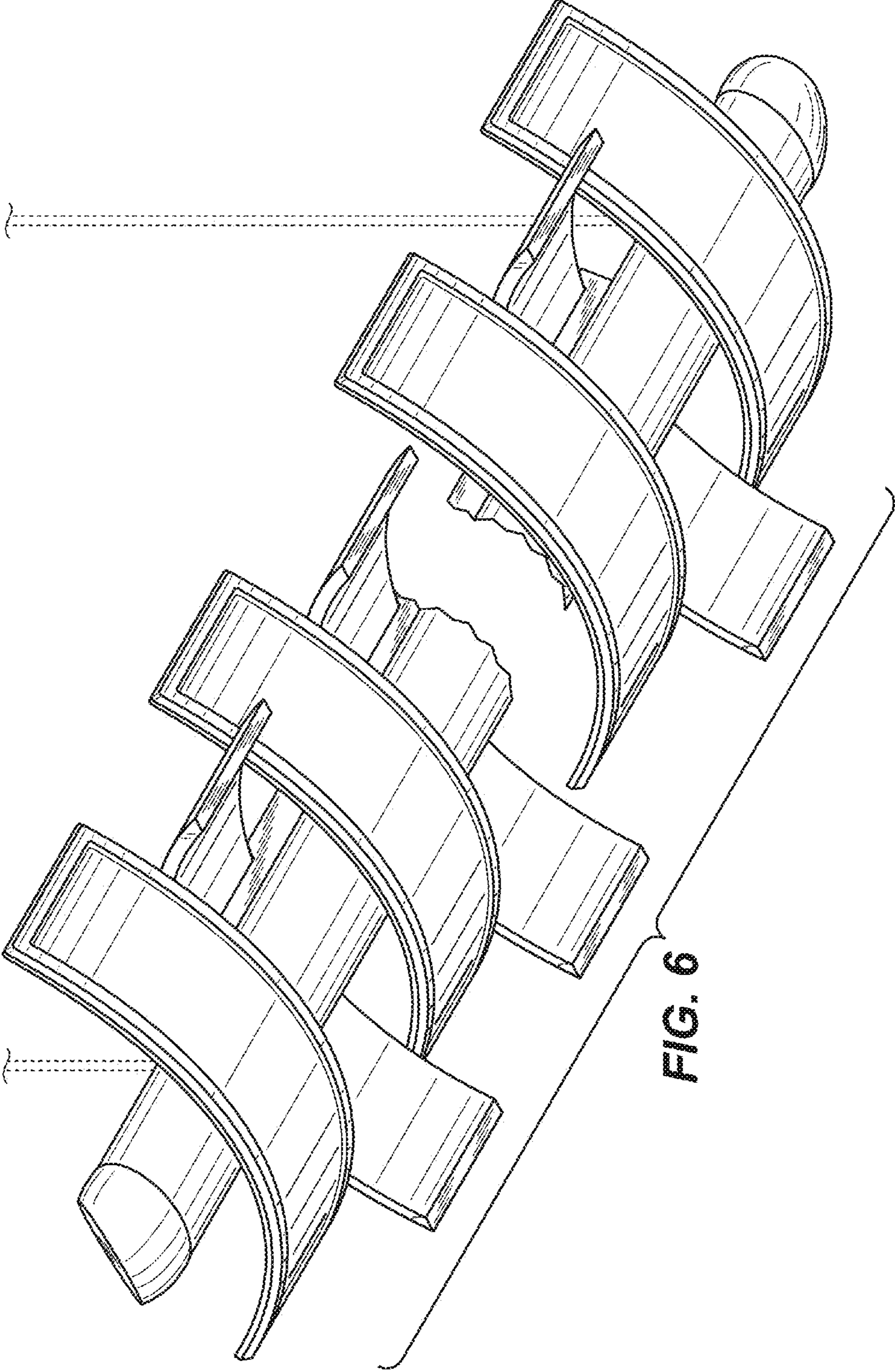
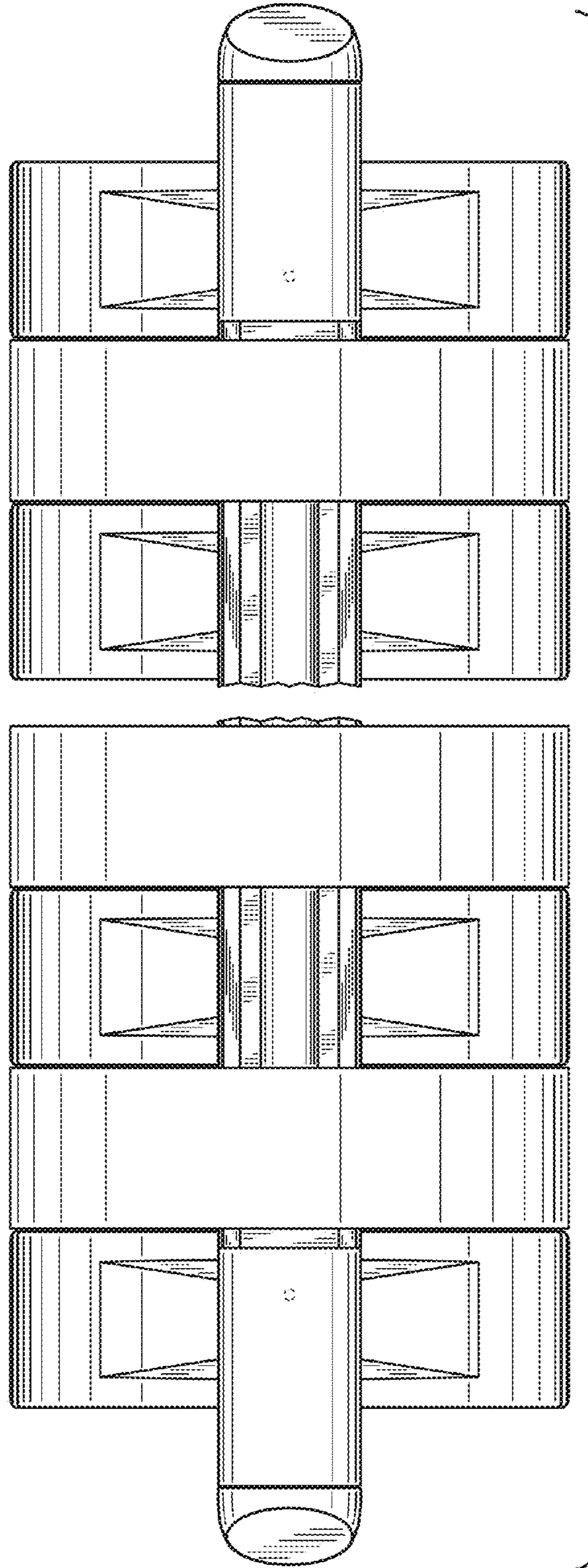
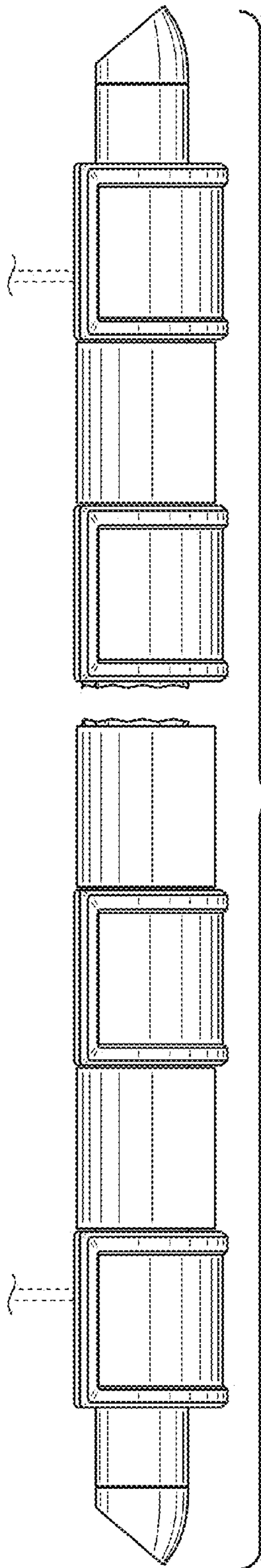


FIG. 6



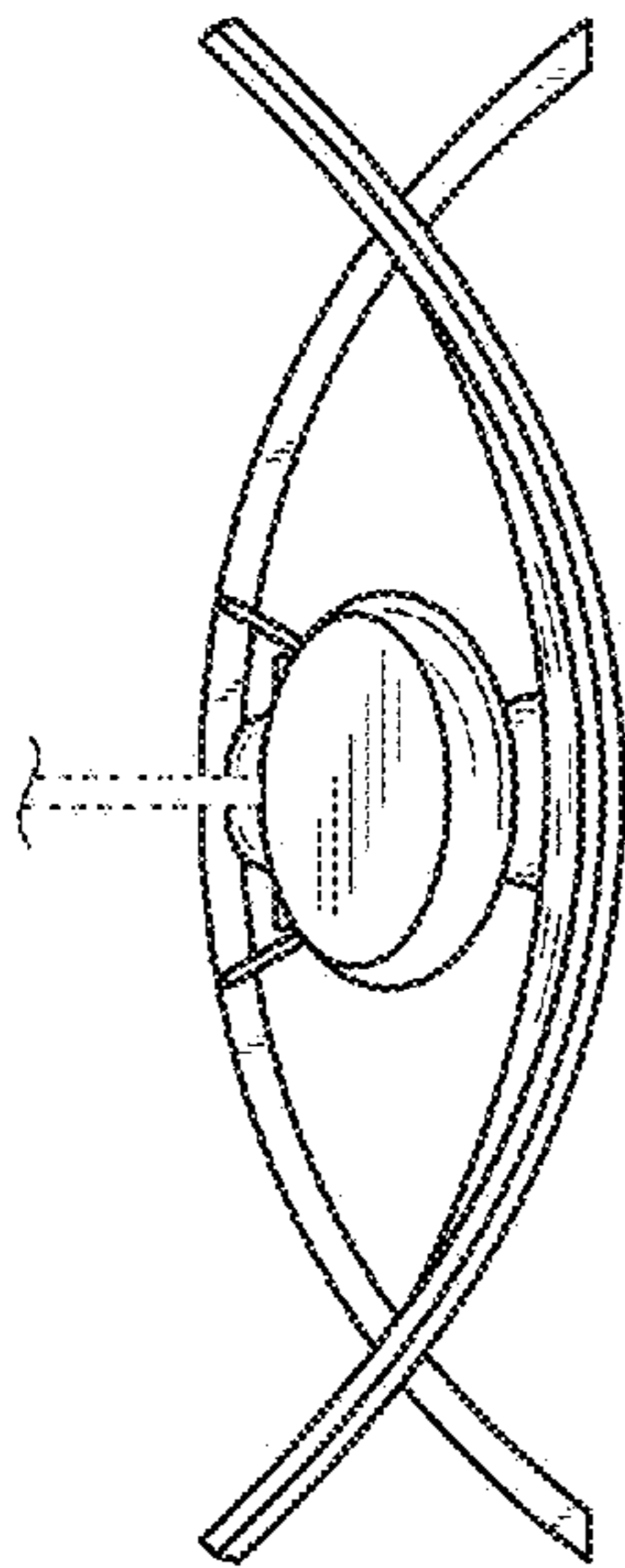


FIG. 8

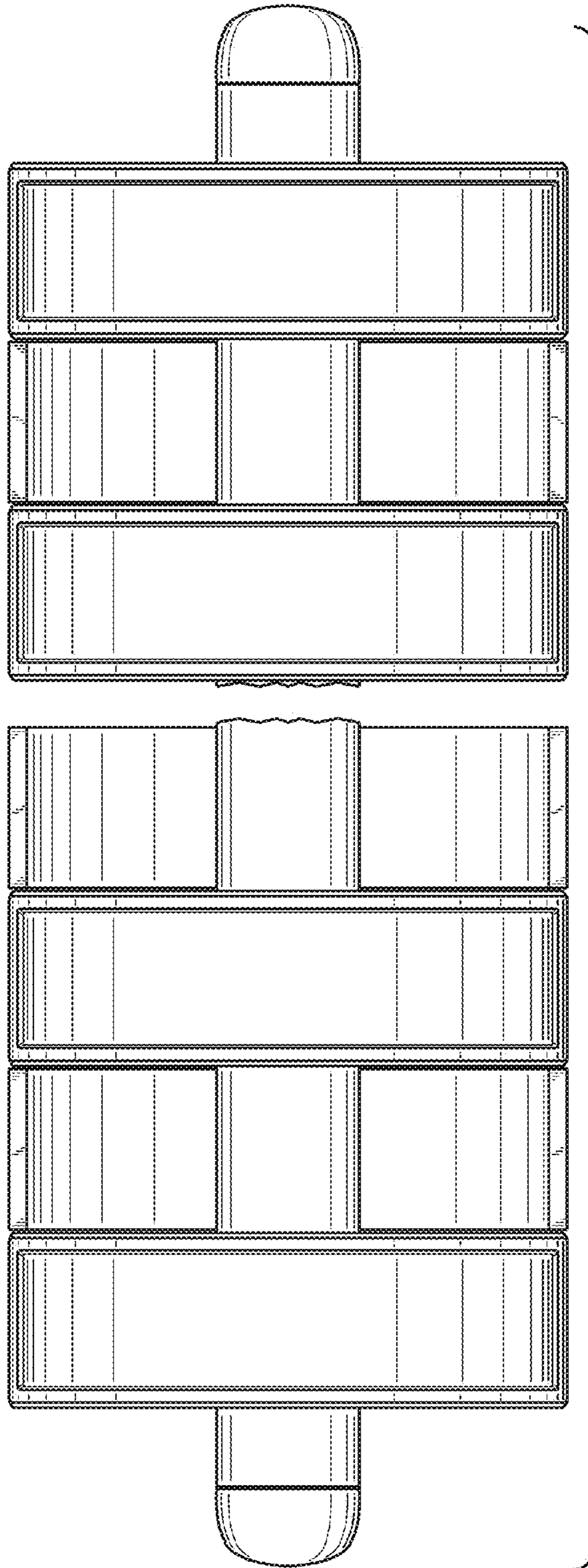


FIG. 10